

HENGZHU
CABINET
LOCK

HENGZHU®

JIANGXI HENGZHU ELECTRICAL
CABINET LOCK CO.,LTD
江西恒珠电气柜锁有限公司

Production Base: Yichun Economic Development Zone, Jiangxi Province, P.R. China

生产基地: 江西省宜春市国家级经济开发区经发大道12号

T: +86 0795-2119999 H: www.hengzhu.com

E: admin@hengzhu.com



2020
CATALOG



HENGZHU CABINET LOCK 恒珠柜锁

WWW.HENGZHU.COM

HENGZHU
CABINET LOCK

2020
CATALOG

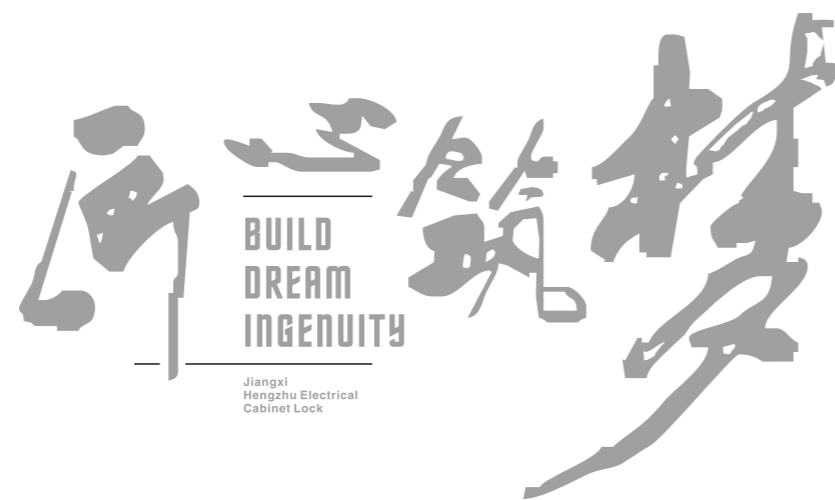



恒珠
HENGZHU

Build Dream Ingenuity 匠心筑梦

In the eyes of outsiders, it is a hardware product.
But in the eyes of our Hengzhu people
It stands for safety and reliability
It embodies emotions and beliefs
The texture is cold, but the meaning is warm
Lock is like a person
People have character, lock has quality
Lock has a lock core, people have a heart
Have to stand the test of time
Because I care, so I fight for.
Hengzhu people understand locks and love locks
Give the vitality of the lock with ingenuity

在外人眼中它是五金产品
而在我们恒珠人眼中
它代表着安全和可靠
它凝聚着情感和信念
它的质地是冷的，
但意义却是温暖的
锁就像一个人
人有品性，锁有品质
锁有锁芯，人有人心
都要经得起时间考验
因为懂得，所以用心
恒珠人既懂锁也爱锁
以匠心赋予锁生命力



CEO: Ms.Liang Hengzhu
梁恒珠 女士



BRIEF INTRODUCTION

企业简介

江西恒珠电气柜锁有限公司地处中国“月亮之都”江西宜春市，公司是原温州市海坦磁力电器有限公司由于生产规模扩大，于2008年在江西宜春注册成立。

公司专业生产开关柜、仪表柜、通讯柜等柜体门锁，铰链等电柜辅件。产品类型多达2000余种。公司现有职工500余人，其中科技管理人员50余人、具有中、高级技术职称15人。公司近年来不断引进国内外先进工艺与设备，提升产品质量，优化生产效率,同时公司加大新产品研发力度，不断推出适合市场、适合客户的全方位的高性价比产品。公司生产的“恒珠”牌产品深受新老客户的欢迎和青睐。公司始终坚持以优质的服务与卓越的品质，遵循以“诚信、务实、专业、创新”的质量方针认真贯彻落实“以品质为根本、以信誉求生存、以科技促发展、以服务赢上帝”的经营理念。从核心开发、智能生产、全程监制、质量保证、专业售服的一条龙机制来服务广大客户，全力打造国际化知名品牌。

公司董事长梁恒珠女士热诚欢迎中外各界人士光临指导!

Jiangxi Hengzhu Electrical Cabinet Lock Co., Ltd. is a professional manufacturer dealing with locks, handles, hinges and other accessories matching for high and low voltage switch gears, meters and communication cabinets.

We integrate developing, manufacturing and sales together. We are appointed by the former national electric power and machinery department and Tianjin electric drive design Institution. There are 500 employees in our company, including 50 administrators, 15 intermediate and senior technicians . We possess more than 300 of advanced machining sets and perfect moulds , thermoplastic injections, casting parts, pressing and hardware parts, electroplating and spray plastic process techniques. "Hengzhu" brand electrical cabinet locks and hinges cover 2000 kinds, most of which are exported to Japan, the USA, Europe and Southeast Asia. We have established long-term cooperation relationship with more than 600 famous enterprises both domestic and abroad, such as HUAWEI, ABB and so on. "Guarantee by quality, surviving by credit standing, developing by technology , supporting by service" is the principle we always adhere to. Our products have won a high reputation as the whole production process under rigorous control which makes Hengzhu as the market leader in China.

Your visit and cooperation will be warmly welcomed!

Since 1988

三十年专注工业五金制造和研发

产品远销全球120多个国家和地区

满足全球2000多家用户需求

全球工业电气柜锁销量遥遥领先

国内工业五金知名制造商

专注行业三十年



应用行业
Application industry

您解决方案的可信赖合作伙伴
Your solutions partner

电力系统Electrical System



全系列的锁、铰链以及相关附件，广泛应用于户内和户外机柜及控制柜，提供出色的安全防护性能
A wide range of locks, hinges and accessories for indoor and outdoor cabinets, all with excellent security

制热、通风和空调设备Heating, Ventilation and Air Conditioning (HVAC)



为需要保湿和保温的设备提供良好的密封性能
Designed for sealed cabinets to control temperature and humidity

通讯网络机柜IT Industrial Cabinet



为公司的数据资料提供高安全性防护
High-security products that protect an organisation's data

轨道交通行业Railway and Transportation Industries



有效地提供减振降噪解决方案
Solutions that reduce vibration and noise

高低压配电柜High and low voltage power distribution cabinet



多款重型门锁和铰链产品，能高效地为客户解决减振降噪问题。
Heavy-duty products with numerous benefits including noise isolation and reducing vibration

特种车辆运输行业Special Vehicle Shipping Industry



重型产品设计满足持久耐用
Heavy-duty product design meets durability

工业机械设备Industrial Machinery and Equipment



为客户提供更经济的高安全性产品
Cost-effective machine safety products that provide real value

文件柜Documents Cabinets



完美融合了设计美观和操作简便
Combines easy operation and stylish design

从大处着眼，小处入手，共同缔造金牌产品

From pay attention to important points, start small, to create gold products

CHARACTERISTIC
SIGN 图例说明

RH / LH SKETCH

MAP 左右开门示意



左开门
Turn left to open the door



左开门-逆时针开启
Turn Left open the door
counterclockwise to open



左开门-顺时针开启
Turn left to open the door,
clockwise open the door



右开门
Trun right to
open the door



右开门-顺时针开启
Trun right to open the door
- clockwise to open



右开门-逆时针开启
The right to open the door
- counterclockwise to open



密封圈内安装
INSIDE
THE GASKETING



密封圈外安装
OUTSIDE
THE GASKETING



外露式铰链
PROMINENT
HINGE



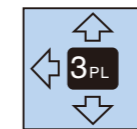
隐蔽式铰链
CONCEALED
HINGE



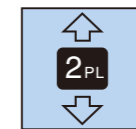
卡式铰链
CASSETTE
HINGE



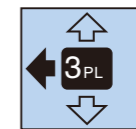
压缩式门锁
COMPRESSION



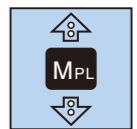
三点锁门
3 POINT
LOCKING SYSTEM



两点锁门
2 POINT
LOCKING SYSTEM



锁点可变
CHANGEABLE POINT
LOCKING SYSTEM



多点锁门
MUTI-POINT
LOCKING SYSTEM



防护等级IP40
IP
PROTECTION IP40



防护等级IP50
IP
PROTECTION IP50



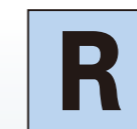
防护等级IP54
IP
PROTECTION IP54



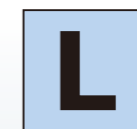
防护等级IP64
IP
PROTECTION IP64



防护等级IP65
IP
PROTECTION



右手开门
RH DOOR



左手开门
LH DOOR



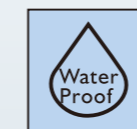
右手开门和左手开门
RH DOOR
OR LH DOOR



发泡密封圈
EPDM
PUR-FOAMED SEAL



不锈钢
STAINLESS
STEEL



防水
WATERPROOF



环保
ENVIRONMENTAL
PROTECTION



新产品
NEW
PRODUCTS



客户定制产品
customized product



可定制产品
Customizable products

样本说明

Sample Description

所有图纸均为第一视角表示	All drawings are first perspective representation
所有尺寸单位为mm	All dimensions are in mm
安装孔型备注: 所有尺寸已预留适当余量	Mounting hole pattern Note: All dimensions have been set aside an appropriate margin
所有图纸未按照比例表示	All drawings are not to scale representation
所有不锈钢焊接件的材质为SUS 304	All parts are made of stainless steel welded SUS 304
用户自行组装时, O型圈上必须涂抹油脂	User self-assembly, O-rings must be greased
保留图纸的设计和修改的权利	Keep the design drawings and the right to modify
所有装箱数量为常用规格	Keep the design drawings and the right to modify
所有钥匙的配法为常规配法, 同时也可根据客户要求配置	All the locks with key in the catalogue is regular matching but we can match the key with client requirement

CODE Explanation

代号说明

门锁 Lock:MS	传动机构 Latch:MB	冷拉钢 cold rolled steel:CRS
搭扣 Toggle:DK	厚度 thickness:T _s	弹簧钢 spring steel:Fst
拉手 Handle:PL	调节距离 Adjustable distance:Ha	不锈钢 stainless steel:SUS
限位装置 Door stop:XW	止口高度 Use height:H	黄铜 brass:Br
铰链 Hinge:HL	基体高度 Groundwork height:GH	锌合金 zinc:ZDC
连杆 Rod:LG	锁片打弯高度 Locking plate:BH	铝合金 aluminum:ALU
连杆附件 Rod accessories:RG	左手锁 Left-hand:L	尼龙 nylon:PA
拉攀 Handle pull:HP	右手锁 Right-hand:R	丙烯 propylene:PP
防水盖 Waterproof cap:WP	逆时针旋转 Anticlockwise rotation:ACW	丁二烯 butadiene:ABS
防尘盖 Dustproof cap:DP	顺时针旋转 Clockwise rotation:CW	聚碳酸酯 polycarbonate:PC
锁头 Lock cylinder insert:TC	伸缩行程 Shrink distance:Dm	橡胶 rubber:RB
锁片 Locking plate	旋转角度 Rotation angle:Ra	
螺母 Nut:NT	喷涂 Blast finish:CS	
带垫螺钉 Vibration proof screw:SW	电镀 Plate finish:CP	
钥匙 Key :K	最大工作扭矩 Max-torque:T _{max}	
垫圈 Gasket:G	最大工作载荷 Max-load:F _{max}	
销子 pin:P		

关于IP等级

About IP Rating

防水·防尘规格在IEC60529(国际电气标准会议)中,是为了标识对电机机械器具的保护等级(IP等级)所制定的。IP后面的两个数字中,左侧的表示防尘等级,右侧的表示防水等级。例如(IP45)表示的是:防尘等级为4级防水等级为5级。另外,如仅用IP标准表示防水等级的时候则写成(IPx5)的形式。(X)表示没有做防尘测试,(IPx5)仅仅表示防水等级为5级。

Waterproof & Dust specifications IEC60529 (International Electrotechnical Commission) in order to identify the motor mechanical appliances of protection (IP rating) enacted. IP latter two figures, the left indicates dust levels, water level indicates the right. For example (IP45) indicate that: waterproof dustproof grade 4 grade 5. In addition, if only the IP standard indicates when the water level is written (IPx5) form. (X) indicates that no dust tests done, (IPx5) merely expressed waterproof rating of 5.

IP等级详解:

IP RATING COMMENTS:

IP

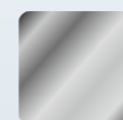
IP标准表 / IP standard table

防尘/Dust-proof		防水/Waterproof	
级别/Level	防尘入侵等级 Dust Intrusion Level	级别/Level	防水浸入等级 Waterproof immersion class
0	无保护 Unprotected	0	无保护 Unprotected
1	可防止直径在50mm以上的外来固体的侵入。 可防止成人的拳头接触到危险部位。 More than 50mm in diameter to prevent the solid foreign invasion. Prevents adult boxers exposed to dangerous sites.	1	可避免从产品上方垂直滴下的水的侵入。 To avoid dropping from the top of the product vertical water intrusion.
2	可防止直径在12.5mm以上的外来固体的侵入。 可防止成人的手指接触到危险部位。 12.5mm in diameter, to prevent the solid foreign invasion above. Prevents adult fingers exposed to dangerous sites.	2	产品倾斜15度的状态下可避免从产品上方垂直滴下的水的侵入。 Product tilted 15 degrees from the product state can avoid hanging above Direct intrusion of water drops.
3	可防止直径在2.5mm以上的外来固体的侵入。 可防止工具接触到危险部位。 More than 2.5mm in diameter prevents the intrusion of foreign solids. Prevents access to dangerous parts of the tool.	3	产品倾斜60度的状态下可避免从产品上方喷雾状水的侵入。 Product tilted 60 degrees from the product state can avoid over spray water intrusion.
4	可防止直径在1.0mm以上的外来固体的侵入。 可防止别针接触到危险部位。 More than 1.0mm in diameter prevents the intrusion of foreign solids. Prevents access to dangerous parts of the clip.	4	产品能防止任何方向飞溅而来的水沫的浸入。 Products to prevent splashing from any direction of spray immersion.
5	即使防尘实验用的粉尘(直径75 μm)进入, 原本的动作和安全性能也无损害。 Even dust experiment with the dust (diameter 75 μm) into the original The actions and safety performance without damage.	5	产品能防止任何方向喷流而来的水的浸入。 Product can be prevented from any direction of the water jet immersion.
6	耐尘实验用的粉尘(直径75 μm)无法侵入。 Dust experiment with the dust (diameter 75 μm) cannot be penetrated.	6	产品能防止任何方向猛烈喷流而来的水的浸入。 Products can prevent violent jets from any direction of the water immersion.
		7	浸入水中没有影响, 可在水中使用。 Immersed in water has no effect, can be used in the water.
		8	可在潜水状态下使用, 比7级更严酷的条件中仍能使用。 Can be used in submerged condition, more than seven severe conditions can still be used.
		9k	防止高温高压近射水侵入 High pressure water jet to prevent intrusion near

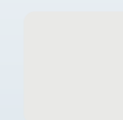
关于我们的防水型号产品, 我们可以随时为您做测试(无负荷状态下进行锁挡板的防水测试), 如有需求请联系我们。不过, IP标准是在实验室里进行的防水测试。在现实环境中用在实际装备上时, 还请进一步确认。

About Us waterproof models, we can always do for you test trial (under no-load condition lock bezel waterproof test), if demand, please contact us. However, IP standards are carried out in the laboratory water testing. In reality when used in the actual equipment, also requested further confirmation.

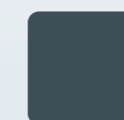
产品表面处理 / Surface Treatment



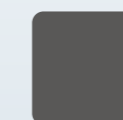
CP01 亮铬
BRIGHT CHROME PLATING



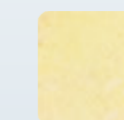
CP02 沙铬
GRAY CHROME PLATING



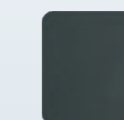
CS01 无光黑
BLACK POWDER COATED



CS02 沙纹黑
MATT BLACK



CP03 喷沙镀铬
POCKED CHROME PLATING



CS03 亚光黑
MATT BLACK

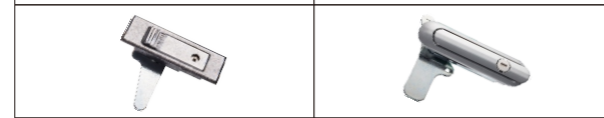


其他颜色可自由由选择
Other colors are free to choose

A ■ 拉手系列
Handles series



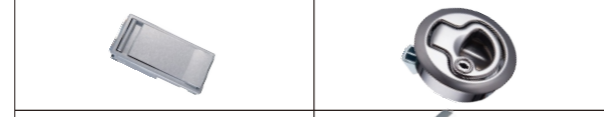
B ■ 平面锁系列
Plane lock series



C ■ 连杆锁系列
Rod control series



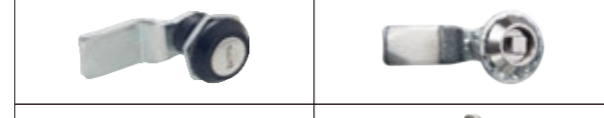
D ■ 面板锁系列
Plane lock series



E ■ 执手锁系列
Handle lock series



F ■ 转舌锁系列
Cam lock series



G ■ 铰链系列
Hinge series



H ■ 搭扣锁系列
Toggle lock series



I ■ 门销系列
Door bolt series



J ■ 电子锁系列
Electronic lock series



K ■ 密封条系列
Seal gasket



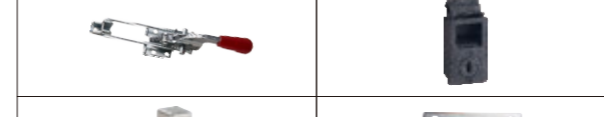
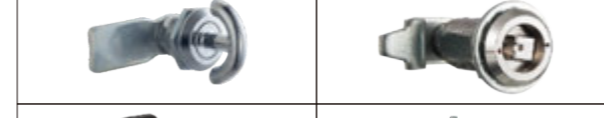
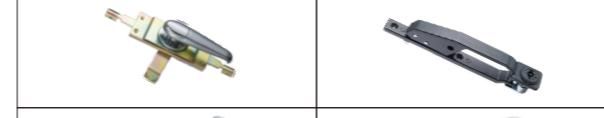
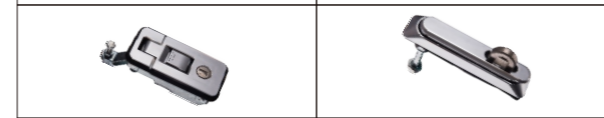
L ■ 限位系列
Door stop series



M ■ 附件系列
Accessories series



N ■ 不锈钢件系列
Stainless steel series



拉手系列 _____ A001~A018
Handles series

平面锁系列 _____ B001~B060
Plane lock series

连杆锁系列 _____ C001~C076
Rod control series

面板锁系列 _____ D001~D010
Plane lock series

执手锁系列 _____ E001~E020
Handle lock series

转舌锁系列 _____ F001~F074
Cam lock series

铰链系列 _____ G001~G088
Hinge series

搭扣锁系列 _____ H001~H004
Toggle lock series

门销系列 _____ I001~I004
Door bolt series

电子锁系列 _____ J001~J008
Electronic lock series

密封条系列 _____ K001~K042
Seal gasket

限位系列 _____ L001~L008
Door stop series

附件系列 _____ M001~M036
Accessories series

不锈钢件系列 _____ N001~N092
Stainless steel series

A 拉手系列 / Handles series

PL001-1 A001	PL001-2 A001	PL005 A001	PL005-2 A002	PL002-1 A003	PL002-2 A003
PL003-1 A004	PL003-2 A004	PL009-1 A005	PL009-2 A005	PL011 A006	PL012 A006
PL025 A007	PL027 A007	PL033 A008	PL034 A008	PL004-1 A009	PL039 A009
PL019 A010	PL037 A010	PL006 A011	PL036 A011	PL007 A012	PL026 A012
PL038 A013	PL042 A013	PL041-1 A014	PL041-2 A014	PL021 A015	PL021-1K PL021-2K A015
PL021-3-1 A015 <small>可定制产品 Customizable products</small>	PL021-3-2 A015 <small>可定制产品 Customizable products</small>	PL022R A016	PL022L A016	PL029-2R A016	PL029-2L A016
PL020-1 A017	PL043-1 A017	MS3004Z-1-1 A018			

B 平面锁系列 / Plane lock series

AB301-1-1 B001	AB301-1-1G B001	AB301-2-1 B001	AB301-3A-1 B001	AB301-3-1 B001	AB301-2A-1G B002
AB301-3B-1 B002	AB302-1-1 B003	AB302-2-1 B003	AB302-3-1 B003	AB102-1-1 B004	AB102-2-1 B004
AB102-3-1 B004	MS104C-1-1 B005	MS104C-2-1 B005	MS104C-3-1 B005	MS104C-1-1G B006	MS104C-2-1G B006
MS104C-3-1G B006	MS104C-4-1 B007	MS104R B007	MS6022Z-1-1 B008	MS6022Z-2-1 B008	MS6022Z-3-1 B009
MS6023Z-1-1 B009	MS6023S-1-1G B009	MS6024P-2-1 B028	MS480-1-1 B010	MS480-1-2 B010	MS480-2-1 B011
MS480-2-1Y B011	MS480-2C-1 B011	MS480-2B-1 B011	MS480-2B-1Y B011	MS4008Z-1-1 B012	MS4090Z-1-1 B012
AB201-1-1 B013 <small>客户定制产品 customized product</small>	AB201-2-1 B013 <small>客户定制产品 customized product</small>	AB201-3-1 B013 <small>客户定制产品 customized product</small>	AB402-1-1 B014	AB402-1-2 B014	AB402-2-1 B014
AB402-2-2 B014	AB402-3-1 B014	AB402-3-2 B014	AB2016Z-1-1 B015	AB2016Z-2-1 B015	AB2016Z-3-1 B015

B 平面锁系列 / Plane lock series

AB202-1-1 B016	AB202-2-1 B016	AB202-3-1 B016	AB401-1-1 B017	AB401-1-2 B017	AB401-2-1 B017
AB401-2-2 B017	AB401-3-1 B017	AB401-3-2 B017	AB5011Z-1-1 B018	AB5012Z-1-1 B018	AB5013Z-1-1 B018
MS607-1-1 B019	MS607-2-1 B019	MS607-3-1 B019	MS751-1-1 B020	MS751-2-1 B020	MS751-3-1 B020
MS6015Z-1-3 B021	MS6016Z-1-3 B021	MS6017Z-1-1 B022	MS6019Z-1-1 B022	MS6019Z-1-1G B022	MS6019Z-1A-1 B023
MS6020Z-1-1 B023	MS6020Z-1A-1 B024	MS6020Z-1A-1 B024	MS6020S-1-1 B024	MS6021Z-1-1 B025	MS511 B025
MS716-1-1 B026	MS716-2-1 B026	MS505-1-1L B027	MS505-1-2L B027	MS508 B028	
MS100-2-1 B029	MS100-1-1A B029	MS820-1-1B B030	MS820-2-1C B031	MS820-2-1D B031	MS820-2-1B B031
MS821-1-1B B032	MS821-1-1AG B032	MS821-2-1B B033	MS821-3-1 B034	MS845-1-1 B034	MS826-1-1 B035

B 平面锁系列 / Plane lock series

MS826-1A-1 B035	MS826-1B-1 B035	MS826-2-1 B036	MS826-3-1 B036	MS836-1-1 B037	MS837-1-1 B037
MS834-1-1 B038	MS838-1-1 B038	MS8010-1-1 B039	MS8012Z-1-1 B039	MS8013Z-1-1 B040	MS8016Z-1-1 B040
MS106-1-1 B041	MS106-1-2 B041	MS106-2-1 B041	MS106-2-2 B041	MS106-3-1 B041	MS106-3-2 B041
MS106-4-1 B041	MS106-4-2 B041	MS106-1A-2 B042	MS106-5-1 B042	MS606-1-1 B043	MS606-1-1 B043
MS606-1-2 B043	MS606-1-2 B043	MS606-1-2P B043	MS612-1-1 B044	MS6018Z-2-1 B045	MS6018Z-1-1 B045
MS6018Z-1-1 B045	MS609-1-1 B046	MS609-1-2 B046			
AB2011Z-1-1 B047	AB2012Z-1-1 B047	AB2013Z-1-1 B048	MS504-1-1 B048	MS504-1-1A B048	MS504-1-2 B048
MS501-2-1L B049	MS506L B049	MS502-1-1L B050	MS701 B050	MS503-1-2L B051	MS503-1-2AL B051

B 平面锁系列 / Plane lock series

MS503-1-1L B052	MS510-1-1 B052	MS510-1-2 B052	MS510-1-2A B053	MS510-2-2 B053	MS507-1-1 B054
MS507-1-2 B054	MS507-2-1 B054	MS507-2-2 B054	MS502-2-1R B054	MS502-2-1W B054	MS502-2-2W B054
MS502-2-2R B054	MS601-3-1 B055	MS601-3-2 B055	MS602-3-1 B055	MS603-2A-1W B056	MS603-2A-1R B056
MS603-2A-2R B056	MS603-2A-1W B056	MS603-3-1R B057	MS603-3-2R B057	MS603-3-1W B057	MS603-3-2W B057
MS6003Z-2-1 B057	MS6003Z-2-2 B057	MS610-1-1 B058	MS610-2-1 B058	MS610-3-1 B058	MS610-3-2 B058
AB2015Z-1-1 B059	MS703 B059	MSZ-01 B060	MSZ-02 B060	MSZ-03 B060	

C 连杆锁系列 / Rod control series

MS100-3-1E C001	MS100-3-1EN C001	MS100-3-1EG C002	MS100-3-1EGN C002	MS100-3-3E C003	MS100-3-3EN C003
MS100-3-3EG C004	MS100-3-3EGN C004	MS100-3-1B C005	MS100-3-1BN C005	MS100-3-1BG C006	MS100-3-1BGN C006
MS100-3-2B C007	MS100-3-2BN C007	MS100-3-2BG C008	MS100-3-2BGN C008	MS100-3-3B C009	MS100-3-3BN C009
MS100-3-3BG C010	MS100-3-3BGN C010	MS100-3A-1E C011	MS100-3A-1EN C011	MS100-3A-1EG C012	MS100-3A-1EGN C012
MS100-3A-3E C01	MS100-3A-3EN C013	MS100-3A-3EG C014	MS100-3A-3EGN C014	MS100-3A-1B C015	MS100-3A-1BN C015
MS100-3A-1BG C016	MS100-3A-1BGN C016	MS100-3A-2B C017	MS100-3A-2BN C017	MS100-3A-2BG C018	MS100-3A-2BGN C018

C 连杆锁系列 / Rod control series

MS100-3A-3B C019	MS100-3A-3BN C019	MS100-3A-3BG C020	MS100-3A-3BGN C020	MS100-3S-1 C021	MS100-3S-2 C022
MS100-4-1 C023	MS4092P-1-1 C024	MS824-1-1 C025	MS824-1-2 C026	MS824-1-3 C026	MS822-1-1B C027
MS822-1-2D C028	MS8460P-1-1R C029	MS8460P-1-1L C029	MS8460P-1-2 C030	MS8460P-1-3 C030	MS8460P-2-1BR C031
MS8460P-2-1CR C031	MS8460P-2-1DR C031	MS8460P-2-2B C032	MS8460P-2-3B C032	MS832-1-1B C034	MS832-1-1BG C033
MS832-1-2B C035	MS832-1-3BG C036	MS827-1-1 C037	MS828-1-1 C038	MS828-2-1 C038	
MS1002Z-1-1 C039	MS102-1 C039	MS102C C040	MS103C-1 C040	MS103D-1-2 C041	MS103D-2-1 C041

C 连杆锁系列 / Rod control series

MS829 C042	MS829WT C042	MS3005Z-1-1 C043	MS730-3 C044	MS460-2-1 C045	MS460-1-1 C045
MS460-1-1G C045	MS460-3-3 C046	MS463-1-1A C047	MS463-1-2BG C048	MS463-1-3AG C049	MS463-2-1 C050
MS463-2-3 C050	MS461-1-1 C051	MS462-1-1 C052	MS732-2-1 C053	MS732-1-1 C054	MS483-1-1 C055
MS483-1-2 C055	MS484-1-1 C056	MS4086Z-1-1B C057	MS4087Z-3-3 C058	MS4087Z-3A-3 C059	MS486-1-1 C060
MS486-2-1 C060	MS486-3-1 C060	MS4008Z-2-1 C061	MS4008Z-2-2A C062	MS4008Z-2-3 C063	MS4085Z-1G-1 C064
MS741-1-1 C065	MS741-2-1 C065	MS742-1-1 C065	MS742-2-1 C065	MS743-1-1 C066	MS743-2-1 C066

C 连杆锁系列 / Rod control series

MS744-1-1 C066	MS744-3-1 C066	MS103-1-1 C067	MS103-3-1 C067	MS761-1-1 C068	MS761-2-1 C068
MS833-1-3 C069	MS835-2-1 C070	MS4089Z-1-3 C071	MS837-1-3 C072	MS843-1-2 C073	MS8491Z-1-2 C074
MS8007Z-1-1 C075	MS8009Z-1-1 C076				

D 面板锁系列 / Plane lock series

MSH-01 D001	MSH-02 D001	MSH-03 D002	MSH-04 D002	MS738-1-1 D003	MS839 D003
MS739-3 D004	MS739-2 D004	MS739-2-2 D004	MS739-2P-1 D004	MS739-2P-2 D004	MS5093Z-1-3 D005
MS5093Z-2-3 D005	MS731-1-1 D006	MS731-1-2 D006	MS5094Z-1-1 D006	MS830-1 D007	MS830-2 D007
MS830-3 D007	MS903-1 D008	MS904-1 D008	MS901 D009	MS902 D009	MS9007Z-3 D010

E 执手锁系列 / Handle lock series

MS101-1-1 E001	MS314-1-1 E001	MS314-2S-1 E002	MS314-2S-2 E002	MS314-1S-1 E002	MS314-1S-2 E002
MS314-1AG-1L E003	MS316-1-1 E003	A2057 E004	MS315-1-1 E004	A19-1-1 E005	A19-1-2 E005
A45-1-1 E005	A45-1-2 E005	A2055 E006	A2056 E006	A2056-1-2 E006	AB701-1-1 E007
AB701-1-2 E007	AB701-2-1 E007	AB701-2-2G E007	AB701-3-1 E007	AB701-3-2G E007	AB702S-1-1 E008
MS107-1-1 E009	MS111-1-1 E009	MS108-1-1 E010	MS108-2-1 E010	MS109-1-1 E011	MS110-1-1 E011
MS101-1-2 E012	MS319-1 E012	MS301-1-1 E013	MS301-1-2 E013	MS303-1-1 E013	MS303-1-2 E013

E 执手锁系列 / Handle lock series

MS303-2-1 E013	MS303-2-2 E013	MS304-2-1 E014	MS304-2-2 F013	MS304-1-1 E014	MS304-1-2 E014
MS301-2-1 E014	MS301-2-2 E014	MS305-1-1 E015	MS305-2-1 E015	MS306-1A-1 F015	MS306-1-1 F016
M306-2-1 E016	MS308-1-1 E017	MS308-2-1 E017	MS310-1-1 E017	MS310-1-2 E017	MS308-2A-1 E018
MS318-1-1 E018	MS318-1-2 E018	MS309-2 E019	MS309-1 E019	AB803 E020	MS302-1-1 E020
MS302-1-2 E020					

F 转舌锁系列 / Cam lock series

A99-1 F001	A99-2 F001	A99-3 F001	MS238-1-1 F001	MS238-1-2 F001	MS238-1A-1 F001
AB7006Z-1-1 F002	AB7007Z-1-1 F002	MS401-1 F003	MS401-2 F003	MS402-1 F003	MS402-2 F003
MS402-3 F003	MS403-1 F004	MS403-2 F004	MS403-2GT F004	MS7066Z-1-1 F004	MS7067Z-1-1 F004
MS407-1 F005	MS407-2 F005	MS408-1-1 F006	MS408-2-1 F006	MS408-3-1 F007	MS7068Z-1-1 F007
MS7072Z-1-1 F008	MS7081Z-1-1 F008	MS405-1-1 F009	MS7079-2-1 F009	MS721-1-1 F010	MS721-1S-1 F010
MS410 F011	MS411 F011	MS413Y F012	MS413F F012	MS415 F012	MS416 F013
MS417 F013	MS438-1-1 F014	MS438-1A-1 F014	MS425-2-1 F015	MS441-1-1 F015	MS427 F016
MS428 F016	MS432-1-1 F017	MS839-1A F017	MS430-1-1 F018	MS7069Z-1A-1 F018	MS409-2 F019

F 转舌锁系列 / Cam lock series

MS409-1 F019	MS7070Z-1-1 F019	MS439-1-1 F020	MS440-1-1 F020	MS818-1 F021	MS818-2 F021
MS750-1 F022	MS819 F022	MS-A-400 F023	MS-A-400D F023	MS-A-403 F024	MS-W400-2 F024
MS-W400-2A F025	MS-W400-2B F025	MS-W400-2D F026	MS-W400-6 F026		
MS702 F027	MS426-1-1 F027	MS704-1 F028	MS707 F028	MS705-1-1 F029	MS705-1-2 F029
MS705-2-2 F030	MS705-2-3 F030	MS705-2S-1 F031	MS705-2S-2 F031	MS705-2S-3 F031	MS705-2S-4 F031
MS706-2-1 F033	MS706-2-2 F033	MS706-2-3 F033	MS706-2-4 F033	MS706-2-5 F033	MS706-2-6 F033
MS706-3-1 F034	MS706-3-2 F034	MS706-3-3 F034	MS706-3-4 F034	MS706-3-5 F034	MS706-3-6 F034
MS705-3 F035	MS705-4-1 F035	MS705-5-2 F036	MS705-7 F036	MS705-8-1 F037	MS7060P-2-1 F037

F 转舌锁系列 / Cam lock series

MS720-1-2 F038	MS720-1-3 F038	MS7076Z-1-1 F038	MS7077Z-1-1 F039	MS708-1-1 F039	MS724 F040
MS725 F040	MS7074Z-1-1 F041	MS710 F041	MS711-2-1 F042	MS711-3-1 F042	MS713-3 F043
MS717-4 F043	MS7064Z-1-1 F044	MS719-1 F044	MS518 F045	MS-A-401 F045	MS815-1 F046
MS815-2 F046	MS815-3 F046	MS815-4 F046	MS815-1A F046	MS815-2A F046	MS815-3A F046
MS729-1-1 F047	MS729-2-1 F047	MS726 F047	MS718 F048	MS727 F048	MS-A-172-1 F049
MS-A-172-3 F049	MS-A-402 F050	MS-A-402T F050	MS-A-404 F051	MS737-1-1 F051	MS613-1-1 F052
MS613-2-1 F052	MS614-1-1 F052	GGD-1 F053	GGD-2 F053	GCS F054	MS200 F054

F 转舌锁系列 / Cam lock series

MS1003Z-1-1 F055	MS404-1-2 F055	MS406 F056	MS412 F056	MS414 F057	MS424 F057
MS433-1 F058	MS434 F058	MS706 F059	MS722 F059	MS724-2-1 F060	
MS418 F061	MS429 F061	MS431-1-1 F062	MS7082Z-1-1 F062		
MS7062Z-1-1R F063	MS7063Z-1-1L F063	MS7065Z-1-1 F064	MS817-4 F064	MS817-2A-1 F065	MS712-1 F065
MS7071Z-1-1 F066	MS7075S-1-1 F066	MS711-1-1L F067	MS711-5-1 F067	MS816-1 F068	MS816-3 F068
MS816-2 F069	MS816-2-2 F069	MS714 F071	MS728-1-1 F071	MS728-2-1 F072	MS728-2-2 F072
MS715-1-1 F073	MS715-1-2 F073	MS814 F074	MS816-4 F074		

G铰链系列 / Hinge series

HL009-1A G001	HL009-2 G001	HL021-1 G002	HL021-2 G002	HL021-2A G002	HL135 G002
HL050-1 G003	HL050-2 G003	HL050-3 G003	HL050-1S G003	HL050-2S/GS G003	HL050-3S G003
HL051-1 G004	HL051-2 G004	HL051-3 G004	HL051-1A G004 <small>可定制产品 Customizable products</small>	HL050-2A G005	HL050-2B G005
HL133 G006	HL133S G006	HL042 G007	HL045 G007	HL058-1 G008	HL058-3 G008
HL091-1 G008	HL091-2 G008	HL023-1 G009	HL023-2 G009	HL023-3 G009	HL096-1 G009
HL096-2 G009	HL096-3 G009	HL054 G010	HL055-1 G011	HL055-2 G011	HL151-1S G011
HL115-1 G012	HL118 G012	HL063-2 G013	HL070-1 G013	HL072-1 G014	HL072-3 G014
HL077 G014	HL071-1 G015	HL071-2 G015	HL071-3 G015	HL087-1 G016	HL087-2 G016

G铰链系列 / Hinge series

HL087-3 G016	HL076 G017	HL094 G017	HL098 G018	HL099 G018	HL116 G19
HL121 G019	HL041-1 G020	HL084 G020	HL106 G021	HL131S G021	HL114 G022
HL143-1 G022	HL059 G023	HL105 G023	HL102 G024	HL153S G024	
HL038 G025	HL074 G025	HL086 G026	HL101 G026		
HL013 G027	HL065 G027	HL111-1 G028	HL111-1A G028	HL145-1 G028	
HL002R G029	HL002L G029	HL019R/L G029	HL052 G030	HL081 G030	HL093R/L G031
HL139 G031	HL120 G032	HL141R G032	HL069-1 G033	HL069-2 G033	HL031 G034
HL157-1R G034 <small>客户定制产品 customized product</small>	HL157-1L G034 <small>客户定制产品 customized product</small>				

G 铰链系列 / Hinge series

HL079 G035	HL127 G035	HL088-1R G036	HL088-2L G036	HL104 G036	HL023-1Z G037
HL023-2Z G037	HL023-3Z G037	HL056 G037	HL124-2R G038	HL124-1R G038	HL161-1 G039
HL001-1 G041	HL003-1 G041	HL003-2 G041	HL003-2S G041	HL004-1 G042	HL004-2 G042
HL006L-1 G042	HL006L-2 G042	HL008-1 G043	HL044-1 G043	HL044-1 G043	HL015 G044
HL016 G044	HL017-1 G045	HL026 G045	HL033-1R G046	HL073 G046	HL089 G047
HL089-2A G047	HL130-2 G048	HL136-2 G049	HL137 G049	HL150-1 G050	

G 铰链系列 / Hinge series

HL046 G051	HL046 G051	HL047-1 G051	HL047-2 G052	HL053 G052	HL062 G053
HL123 G053					
HL005 G055	HL018-1 G055	HL022 G056	HL027 G056	HL028 G057	HL032 G057
HL030-1 G058	HL030-2 G058	HL030-3 G058	HL057-1/-1A G059	HL057-2 G059	HL066 G060
HL075-1 G060	HL080 G061	HL085 G061	HL097 G062	HL107-2 G062	

G 铰链系列 / Hinge series

HL012 G063	HL020 G063	HL024 G064	HL025-1 G064	HL025-2 G065	HL029-1 G065
HL029-2 G065	HL029-3 G066	HL039 G066	HL061R G067	HL126-1 G067	HL126-2 H067
HL064-1 G068	HL064-2 G068	HL103-1/-2 G069	HL103-1A G069	HL132 G070	HL134 G070

G 铰链系列 / Hinge series

HL010 G071	HL011-1 G071	HL011-2 G071	HL036-1 G072	HL036-2 G072	HL078 G072
HL090 G073	HL095 G073	HL007-1 G074	HL007-2 G074	HL034-1 G075	HL034-2 G075
HL040 G076	HL043 G076	HL083-1 G077	HL125 G077	HL108 G078	HL122 G078
HL048 G079	HL060 G079	HL068-1 G080	HL082 G080	HL082S G080	HL092 G081
HL092S G081	HL109 G081	HL129-1 G082	HL142-1 G082	HL049-1 G083	HL146-1 G083
HL147-1 G083	HL119 G084	HL128 G084			
HL035-1R G085	HL035-2L G085	HL035-1AR G085	HL035-1BR G086	HL149-1R/L G086	HL037 G087
HL110 G087	HL117 G088	HL140 G088			

H 搭扣锁系列 / Toggle lock series

DKS-1-1 H 001	DKS-2-1 H 001	DK102 H001	DKS103-2 H002	DKS104-2 H002	MS733-1 H003
MS733-1 H003	MS733-2 H003	MS733-2 H 003	MS733-3 H003	MS9008P-1-1 H004	MS9008P-1-2 H004

I 门销系列 / Door bolt series

MX01 I001	MX02 I001	MX03-1 I002	MX04 I002	MX05 I003	MX06 I003
MX07-1 I004	MX07-2 I004	MX07-3 I004	MX08 J004		

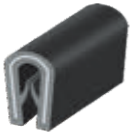












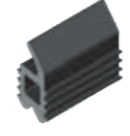
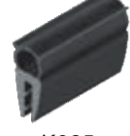


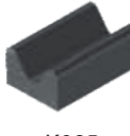





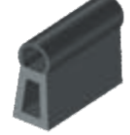
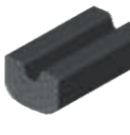
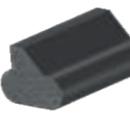









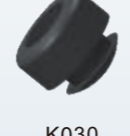








J 电子锁系列 / Electronic series

MS8017Z-1-1 J001~J006	随机密码控制器 J007~J008				
------------------------------	--------------------------	--	--	--	--


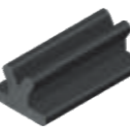
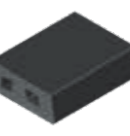

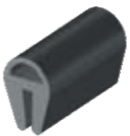

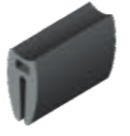
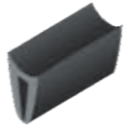
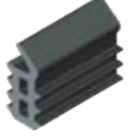
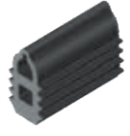

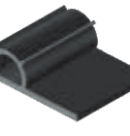
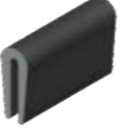



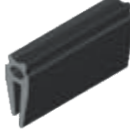
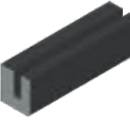


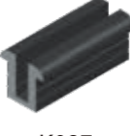


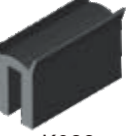


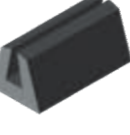

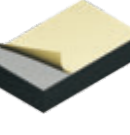




K密封条系列 / Seal gasket series

MFT-001 K011	MFT-002 K011	MFT-003 K011	MFT-005 K011	MFT-006 K012	MFT-007 K012
MFT-008 K012	MFT-009 K012	MFT-010 K013	MFT-011 K013	MFT-012 K013	MFT-013 K013
MFT-014 K014	MFT-015 K014	MFT-017 K014	MFT-018 K014	MFT-019 K015	MFT-020 K015
MFT-021 K015	MFT-022 K015	MFT-023 K016			
MF-001 K016	MF-002 K016	MF-003 K016	MF-004 K017	MF-005 K017	MF-006 K017
MF-007 K017	MF-008 K018	MF-009 K018	MF-010 K018	MF-011 K018	MF-012 K019
MF-013 K019	MF-014 K019	MF-015 K019	MF-016 K020	MF-017 K020	MF-018 K020

K密封条系列 / Seal gasket series

MF-019  K021	MF-020  K021	MF-021  K021	MF-022  K021	MF-023  K022	MF-024  K022
MF-025  K022	MF-026  K022	MF-027  K023	MF-028  K023	MF-029  K023	MF-030  K023
MF-031  K024	MF-032  K024				
MFT-004  K025	MFT-016  K025	MFT-024  K025	MFT-025  K025	MFT-026  K026	MFT-027  K026
MFT-028  K026	MFT-029  K026	MFT-030  K027	MFT-031  K027	MFT-032  K027	MFT-033  K027
MFT-034  K028	MFT-035  K028	MFT-036  K028	MFT-037  K028	MFT-038  K029	MFT-039  K029
MFT-040  K029	MFT-041  K029	MFT-042  K030	MFT-043  K030	MFT-044  K030	MFT-045  K030
MFT-046  K031	MFT-047  K031	MFT-048  K031	MFT-049  K031	MFT-050  K032	MFT-051  K032

K密封条系列 / Seal gasket series

MFT-052  K032	MFT-053  K032	MFT-054  K033	MFT-055  K033	MFT-056  K033	MFT-057  K033
MFT-058  K034	MFT-059  K034	MFT-060  K034	MFT-061  K034	MFT-062  K035	MFT-063  K035
MFT-064  K035	MFT-065  K035	MFT-066  K036	MFT-067  K036	MFT-068  K036	MFT-069  K036
MFT-070  K037	MFT-071  K037	MFT-072  K037	MFT-073  K037	MFT-074  K038	MFT-075  K038
MFT-076  K038	MFT-077  K038	MFT-078  K039	MFT-111-118  K039	MFT-079-MFT-110  K040	MFT-119-MFT-123  K041
MFT-124-128  K041	MFT-129-138  K042	MFT-139-150  K042			

L 附件系列 / Accessories series

限位 Door stop	XW02-1L L001	XW02-1R L001	XW03 L001	XW04 L002 可定制产品 Customizable products
XW05-1 L003 可定制产品 Customizable products	XW05-2 L003 可定制产品 Customizable products	XW06 L004 可定制产品 Customizable products	XW07 L004 可定制产品 Customizable products	XW08-1 L005 可定制产品 Customizable products
XW08-2 L005 可定制产品 Customizable products	XW09 L006 可定制产品 Customizable products	XW10-1 L007 可定制产品 Customizable products	XW10-2 L007 可定制产品 Customizable products	XW11-1 L008 可定制产品 Customizable products
XW11-2 L008 可定制产品 Customizable products				

M 附件系列 / Accessories series

绝缘子 M001	绝缘子 M001	绝缘子 M001	绝缘子 M001	绝缘子 M001	(吊环) DH-M M001
ZMJ-1 M002	ZMJ-2 M002	LMJ-1 M002	平面螺母 M003	台阶螺母 M003	带齿防滑螺母 M004
带点防滑螺母 M004	FJ01 M005	PT01-1 M005	PT01-2 M006	PT02 M006	RG01-1 M007
RG01-2 M007	RG01-3 M007	RG03-1 M007	RG03-2 M007	RG03-3 M008	RG04 M008
RG05 M009	RG06 M009	RG08-2 M010	RG10 M010	RG11 M011 客户定制产品 customized product	
RA01 M011	RA02 M012	RA03 M012			

M 附件系列 / Accessories series



M附件系列 / Accessories series



不锈钢系列产品/ Stainless steel product

MS6020S-1-1 N001	MS6023S-1-1 N001	MS6023S-1-1G N001	MS834-1-1 N002	MS838-1S N002
MS100-3S-1 N003	MS100-3S-2 N004			
MS839S-3-1 N005	MS5094Z-1-1 N005	MS830-1 N006	MS830-2 N006	MS830-3 N006
MS314-1S-1 N007	MS314-1S-2 N007	MS314-2S-1 N007	MS314-2S-2 N007	AB702S-1-1 N008
MS306S-1-1 N009	MS306S-2-1 N009	MS308S-2-1 N010	A19S-1-1 N010	MS314-1S-3G N011

不锈钢系列产品/Stainless steel product

MS314-1S-4G N012				
MS705-2S-1 N013	MS705-2S-2 N013	MS705-2S-3 N013	MS705-2S-4 N013	MS705S-11-3 N015
MS705S-11-1 N015	MS705S-11-8 N015	MS705S-11-11 N015	MS705S-11-14 N015	MS705S-11-18 N015
MS705S-11-19 N015	MS705S-11-20 N015	MS705S-10-11 N016	MS705S-9-1 N017	MS705S-9-8 N017
MS705S-9A-8 N018	MS7076S-1-1 N018	MS7078-1-1 N019	MS7078-2-1 N019	MS7080S-1-1 N020

不锈钢系列产品/ Stainless steel product

MS721S-1-1 N020	MS408S-1-1 可定制产品 Customizable products N021	MS408S-1-2 可定制产品 Customizable products N021	MS7082S-1-1 可定制产品 Customizable products N022	MS7090S-1-1 可定制产品 Customizable products N022
MS7091S-1-1 可定制产品 Customizable products N023	MS7092S-1-1 可定制产品 Customizable products N023	MS429-1A-4 可定制产品 Customizable products N024	MS7075S-1-1 可定制产品 Customizable products N025	MS7093S-1-1 N026
MS7094S-1-1 可定制产品 Customizable products N026	MS7095S-1-1 可定制产品 Customizable products N027	MS7095S-2-1 可定制产品 Customizable products N027	MS7096S-1-1 N028	MS7096S-2-1 N028
MS7097S-1-1 N029	MS7097S-1-2 N029	MS7097S-2-1 N030	MS7097S-2-2 N030	MS7097S-1A-1 N031
MS7097S-2A-1 N031	MS7097S-1B-1 N032	MS7097S-2B-1 N032	MS7098S-1-1 N033	MS7098S-2-1 N033

不锈钢系列产品/Stainless steel product

MS7099S-1-1 N034	MS7099S-2-1 可定制产品 Customizable products N034			
HL050-1S N035	HL050-2S N035	HL050-2GS N035	HL050-3S N035	HL055-1 N035
HL055-2 N035	HL133S N036	HL151-1S N036	HL151-2S N036	HL131S-1L N037
HL131S-1R N037	HL180S-1 可定制产品 Customizable products N038	HL111S-2 可定制产品 Customizable products N038		

不锈钢系列产品/ Stainless steel product

HL071-1 N039	HL071-2 N039	HL071-3 N039	HL115-1 N040	HL118 N040
HL063-2 N041	HL070-1 N041	HL072-1 N042	HL072-2/-3 N042	HL077 N042
HL076 N043	HL094 N043	HL098 N044	HL099 N044	HL038 N045
HL074 N045	HL101 N046	HL153S N046	HL069-1 N047	HL069-2 N047
HL120 N048	HL157-1L N048	HL157-1R N048	HL173S-1 N049	HL174S-1 N049

























不锈钢系列产品/Stainless steel product

HL175S-1 N050	HL176S-1 N050	HL177S-1 N051	HL178S-1 N051	HL179S-1 N052
HL181S-1 N052	HL003-2S N053	HL004S-2 N053	HL103-1A N054	HL103-2 N054
HL103-2 N054	HL080 N055	HL030-2S N055	HL170S-1 N056	HL170S-2 N056
HL171S-1 N057	HL172S-1 N057	HL182S-1 N058	HL034-1 N059	HL034-2 N059
HL082S N060	HL092S N060	HL109 N061	HL129-1 N061	HL183S-1 N062

























不锈钢系列产品/ Stainless steel product

<p>HL011S-1</p>  <p>定制产品 Customizable products</p> <p>N062</p>	<p>HL035S-3L/R</p>  <p>定制产品 Customizable products</p> <p>N063</p>	<p>HL035-4L/R</p>  <p>定制产品 Customizable products</p> <p>N063</p>	<p>HL185S-1</p>  <p>定制产品 Customizable products</p> <p>N064</p>	<p>HL186S-1</p>  <p>定制产品 Customizable products</p> <p>N064</p>
<p>HL187S-1</p>  <p>定制产品 Customizable products</p> <p>N065</p>	<p>HL184S-1</p>  <p>N065</p>	<p>HL188S-1</p>  <p>定制产品 Customizable products</p> <p>N065</p>	<p>HL189S-1</p>  <p>定制产品 Customizable products</p> <p>N066</p>	<p>HL189S-2</p>  <p>定制产品 Customizable products</p> <p>N066</p>
<p>HL190S-1</p>  <p>定制产品 Customizable products</p> <p>N066</p>	<p>HL190S-2</p>  <p>定制产品 Customizable products</p> <p>N066</p>			
<p>MX04</p>  <p>N067</p>	<p>MX07S-1</p>  <p>定制产品 Customizable products</p> <p>N068</p>			

不锈钢系列产品/Stainless steel product

<p>PL021S-3-2</p>  <p>定制产品 Customizable products</p> <p>N069</p>	<p>PL004-2S</p>  <p>N070</p>	<p>PL019-2S</p>  <p>N070</p>	<p>PL100S-1</p>  <p>N071</p>	<p>PL101S-1</p>  <p>N071</p>
<p>PL004S</p>  <p>N072</p>	<p>PL102S-1</p>  <p>N072</p>	<p>PL019S</p>  <p>N073</p>	<p>PL103S</p>  <p>N074</p>	<p>PL104S-1</p>  <p>N074</p>
<p>PL105S-1</p>  <p>N075</p>	<p>PL106S-1</p>  <p>N075</p>	<p>PL107S-1</p>  <p>N076</p>	<p>PL108S</p>  <p>N076</p>	<p>PL109S</p>  <p>N077</p>
<p>PL110S</p>  <p>N077</p>	<p>PL111S</p>  <p>N078</p>	<p>PL112S</p>  <p>N078</p>	<p>PL113S-1</p>  <p>N079</p>	<p>PL114S</p>  <p>N079</p>
<p>PL115S</p>  <p>N080</p>	<p>PL116S-1</p>  <p>N080</p>	<p>PL116S-2</p>  <p>N080</p>	<p>PL116S-3</p>  <p>N080</p>	

不锈钢系列产品/ Stainless steel product

DK110-1  N081	DK111-1  N081	DK112-1  N082	DK112-2  N082	DK113-1  N083
DK113-2  N083	DK114-1  N084	DK114-1  N084	DK115-1  N085	DK115-1G  N085
DK115-2  N086	DK115-3  N086	DK116-1  N087	DK116-1G  N087	DK116-2  N088
DK116-2G  N088	DK117-1  N089	DK118-1  N089	DK118-1G  N090	DK118-2G  N090
DK119-1  N091	DK119-2  N091	DKS103-2  N092	DKS104-2  N092	

不锈钢系列产品/Stainless steel product

PL001-1

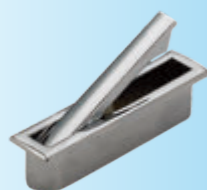
隐藏式拉手 Concealed Handles

隐藏式拉手 Concealed Handles

PL005-2

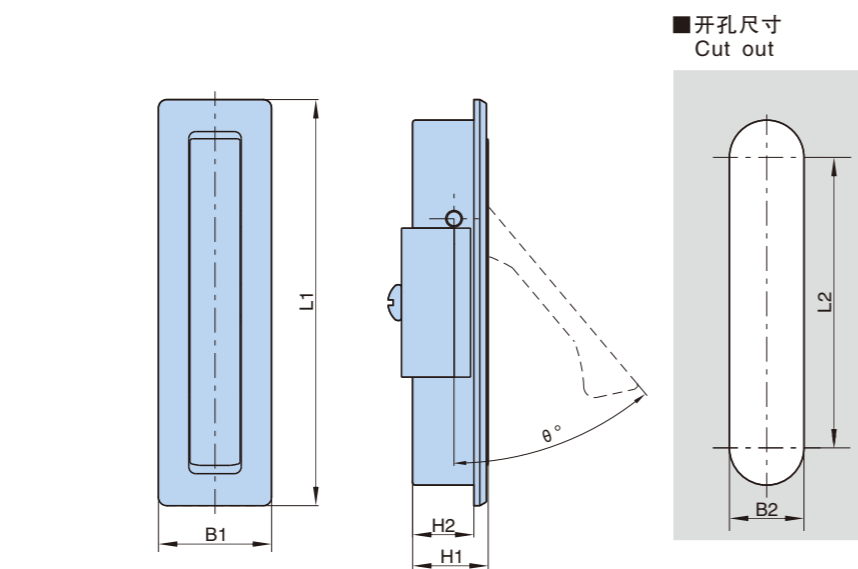


PL001-1

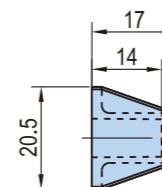
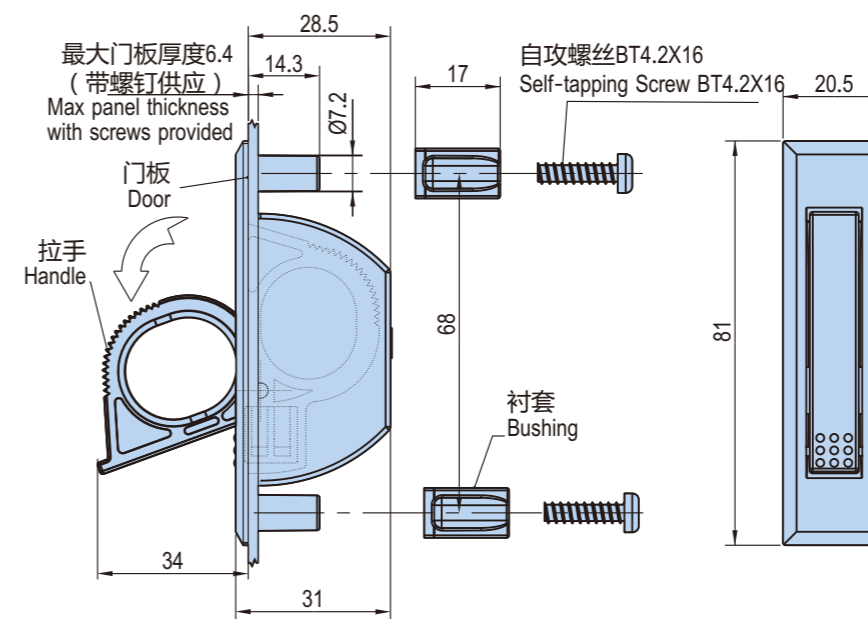


PL001-2

- 材质: 锌合金
- 表面处理: 镀沙铬、镀亮铬;
- 适用门板厚度: 1~3mm
- Material: Zinc die-casting
- Finish: Gray chrome plating
Bright chrome plating
- Panel thickness: 1~3



基本尺寸 Dimensions								产品型号及特性 Product Number			
L1	L2	B1	B2	H1	H2	θ°	镀亮铬 Bright chrome plating	镀沙铬 Gray chrome plating	产品 单重(g) Weight	装箱数 Lot	
73.5	53	20.5	14.5	13.5	11	45	PL001-1.1	PL001-1.2	77	300	
50.3	38	12	10	12	10	70	PL001-2.1	PL001-2.2	35	500	

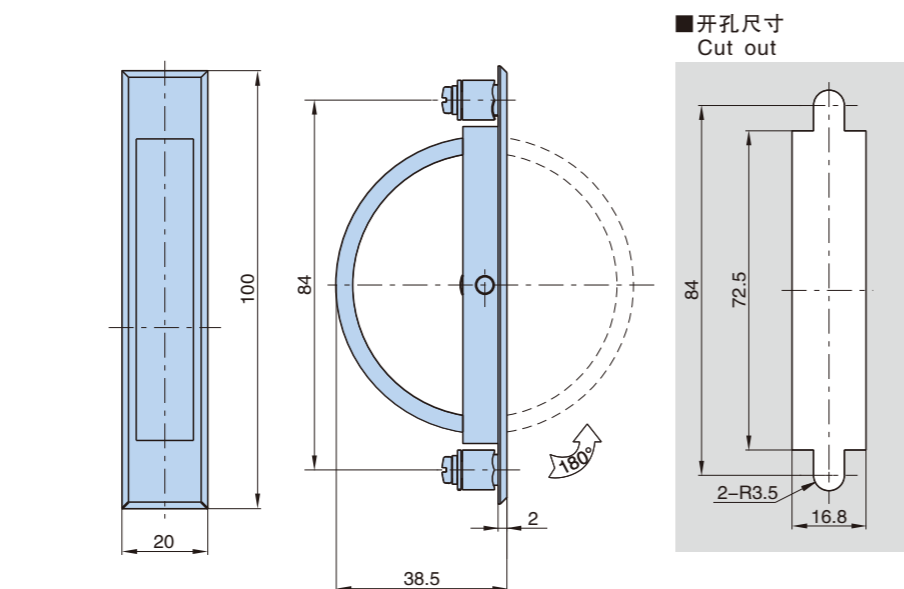


PL005

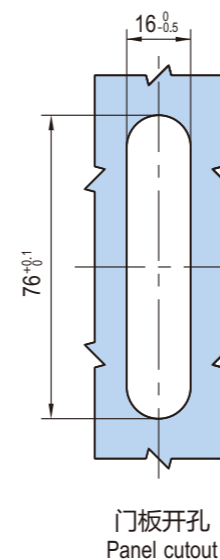
隐藏式拉手 Concealed Handles



- 材质: 锌合金
- 表面处理: 镀沙铬, 镀亮铬, 喷无光黑
- 适用门板厚度: 1~3mm
- Material: zinc die-casting
- Finish: Gray chrome plating
Bright chrome plating
Black powder coated
- Panel thickness: 1~3



型号 Product no.	产品单重(g) Weight	装箱数 Lot
PL005	90	200



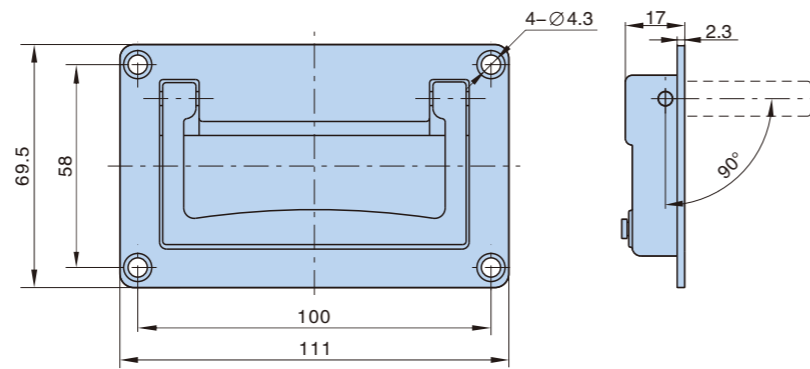
型号 Product no.	产品单重(g) Weight	装箱数 Lot
PL005-2		

✓
可定制产品
Customizable products

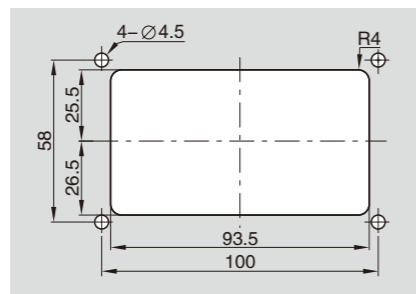
- 材质: PA
- 表面处理: 黑色沙纹面
- 适用门板厚度: 1~6mm.
- Material: PA
- Finish: black sand grain surface.
- Panel thickness: 1~6mm

PL002-1

可折叠嵌入式拉手 Folding Pocket handles



■开孔尺寸
Cut out

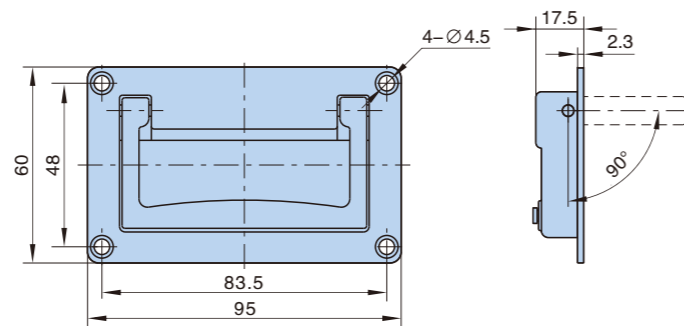


- 材质: 锌合金
- 表面处理: 喷沙镀铬
- Material: Zinc die-casting
- Finish: Pocked chrome plating

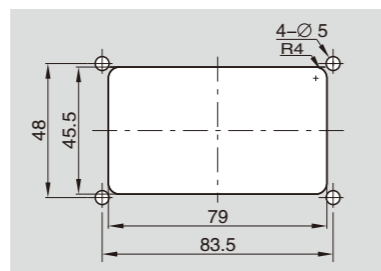
型号 Product no.	产品单重(g) Weight	装箱数 Lot
PL002-1	238	80

PL002-2

可折叠嵌入式拉手 Folding Pocket handles



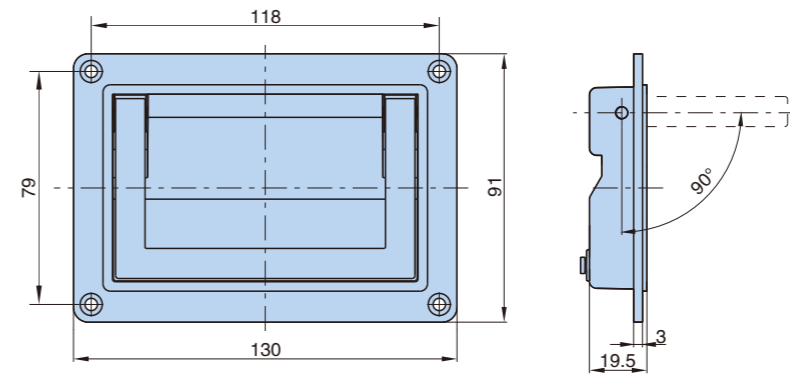
■开孔尺寸
Cut out



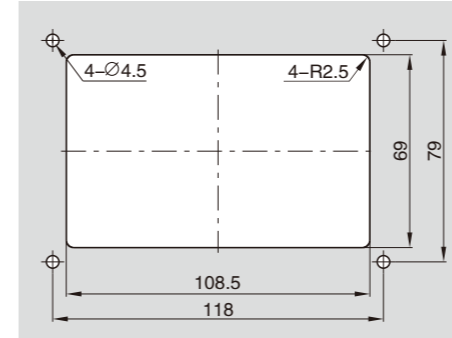
- 材质: 锌合金
- 表面处理: 喷沙镀铬
- Material: Zinc die-casting
- Finish: Pocked chrome plating

型号 Product no.	产品单重(g) Weight	装箱数 Lot
PL002-2	194	100

可折叠嵌入式拉手 Folding Pocket handles

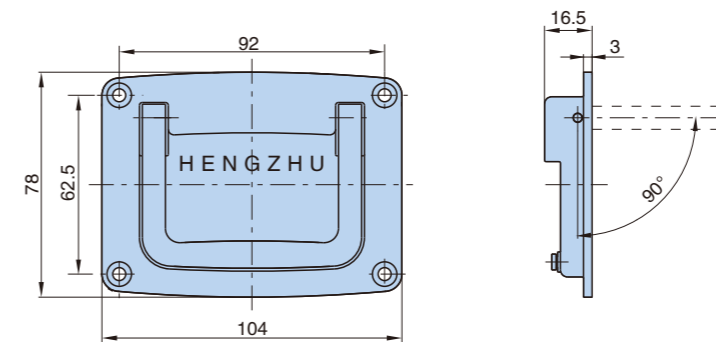


■开孔尺寸
Cut out

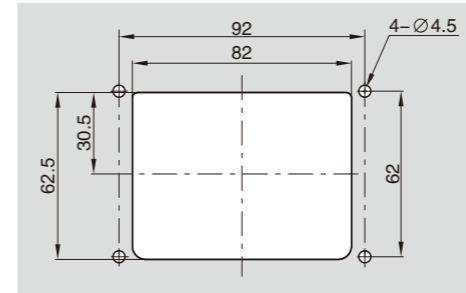


型号 Product no.	产品单重(g) Weight	装箱数 Lot
PL003-1	415	40

可折叠嵌入式拉手 Folding Pocket handles

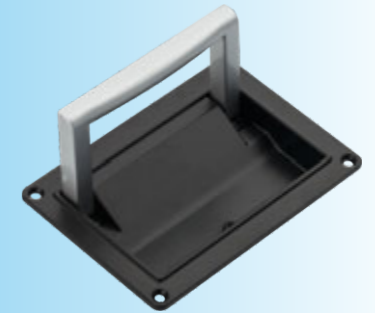


■开孔尺寸
Cut out



型号 Product no.	产品单重(g) Weight	装箱数 Lot
PL003-2	266	40

PL003-1



- 材质: 锌合金
- 表面处理: 拉手壳喷亚光黑, 手柄喷漆灰
- Material: Zinc die-casting
- Finish: Black powder coated housing, grey coating handle

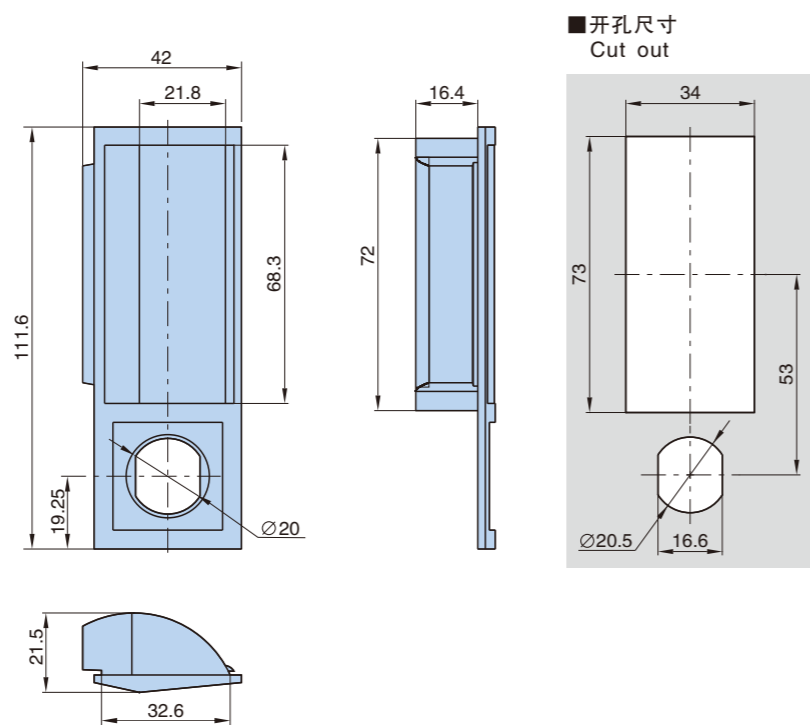
PL003-2



- 材质: 锌合金
- 表面处理: 镀沙铬
- Material: Zinc die-casting
- Finish: Gray chrome plating

PL009-1

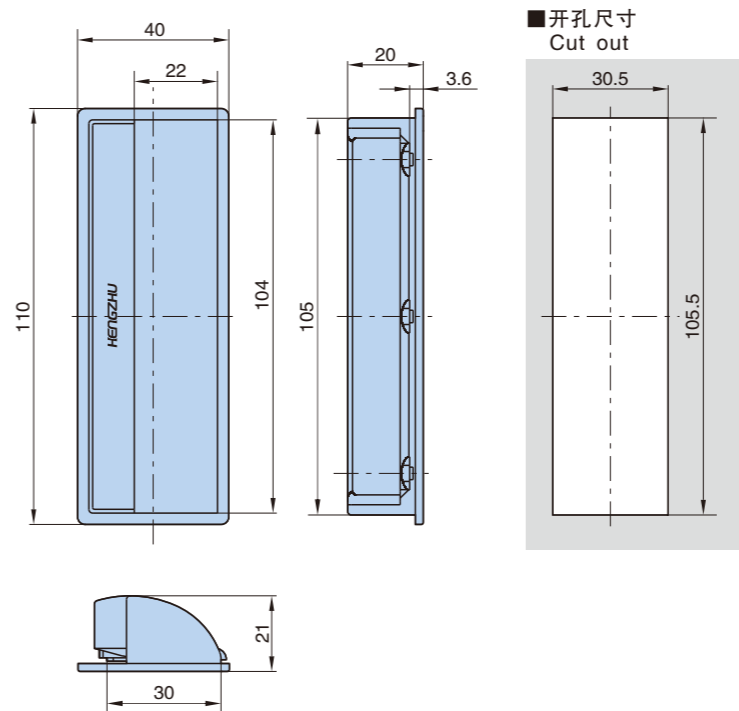
嵌入式拉手 Pocket Pull



- 材质: ABS
- 颜色: 黑色、灰色
- 适用门板厚度:1mm
- Material:ABS
- Finish:Black、gray
- Panel thickness:1mm

型号 Product no.	产品单重(g) Weight	装箱数 Lot
PL009-1	17	400

嵌入式拉手 Pocket Pull

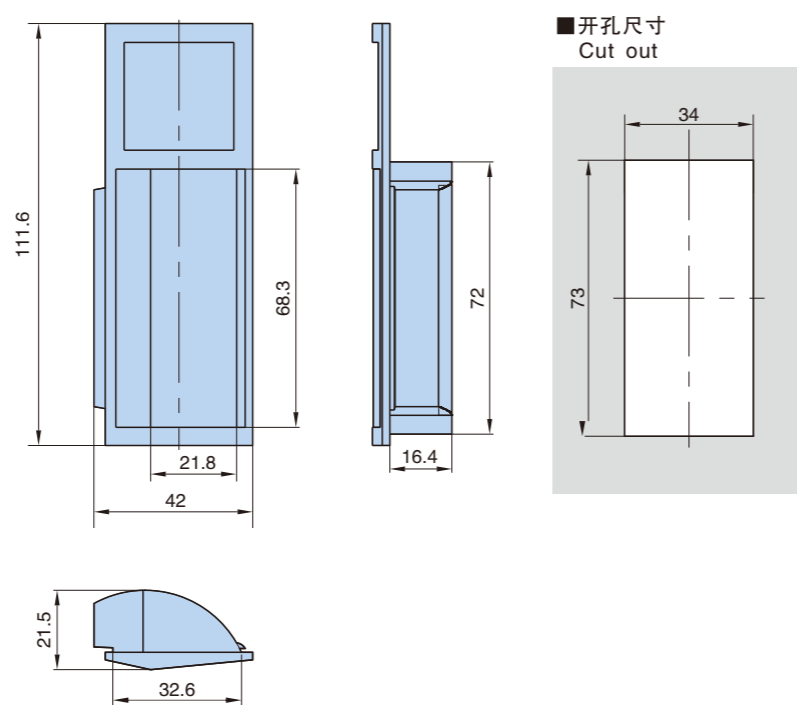


- 材质: ABS
- 颜色: 黑色、灰色
- 适用门板厚度:1mm
- Material:ABS
- Finish:Black、gray
- Panel thickness:1mm

型号 Product no.	产品单重(g) Weight	装箱数 Lot
PL011	17	400

PL009-2

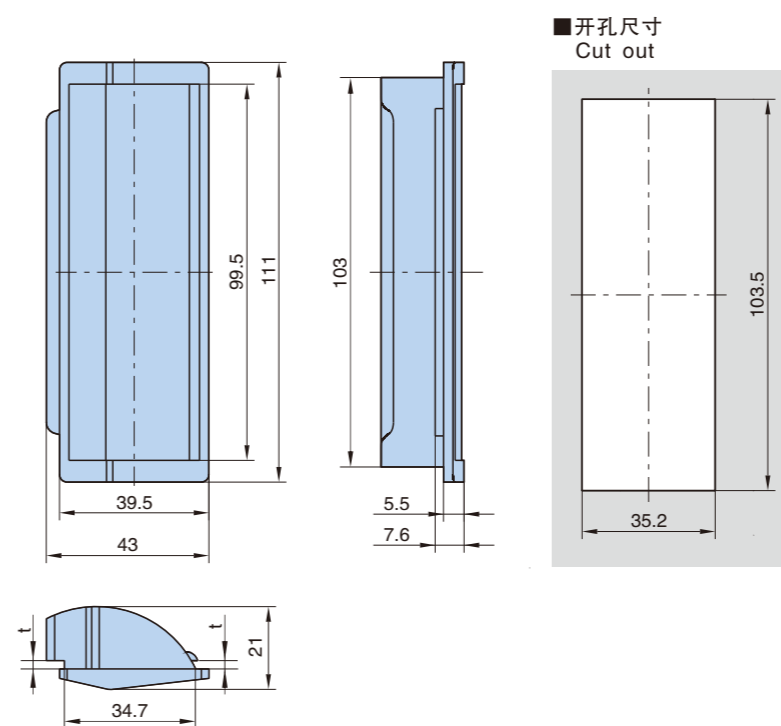
嵌入式拉手 Pocket Pull



- 材质: ABS
- 颜色: 黑色、灰色
- 适用门板厚度:1mm
- Material:ABS
- Finish:Black、gray
- Panel thickness:1mm

型号 Product no.	产品单重(g) Weight	装箱数 Lot
PL009-2	19	400

嵌入式拉手 Pocket Pull



- 材质: ABS
- 颜色: 黑色、灰色
- 适用门板厚度:2mm,1.5mm,1.2mm
- Material:ABS
- Finish:Black、gray
- Panel thickness:2mm,1.5mm, 1.2mm

型号 Product no.	基本尺寸 Dimensions(t)			产品单重(g) Weight	装箱数 Lot
PL012	2	1.5	1.2	19	400

A拉手系列
Handles series

B平面锁系列
Plane lock series

C连杆锁系列
Rod control series

D面板锁系列
Plane lock series

E执手锁系列
Handle lock series

F转舌锁系列
Cam lock series

G铰链系列
Hinge series

H搭扣锁系列
Toggle lock series

I门销系列
Door bolt series

J电子锁系列
Electronic lock series

K密封条系列
Gasketing series

L限位系列
Door stop series

M附件系列
Accessories series

N不锈钢件系列
Stainless steel series

A拉手系列
Handles series

B平面锁系列
Plane lock series

C连杆锁系列
Rod control series

D面板锁系列
Plane lock series

E执手锁系列
Handle lock series

F转舌锁系列
Cam lock series

G铰链系列
Hinge series

H搭扣锁系列
Toggle lock series

I门销系列
Door bolt series

J电子锁系列
Electronic lock series

K密封条系列
Gasketing series

L限位系列
Door stop series

M附件系列
Accessories series

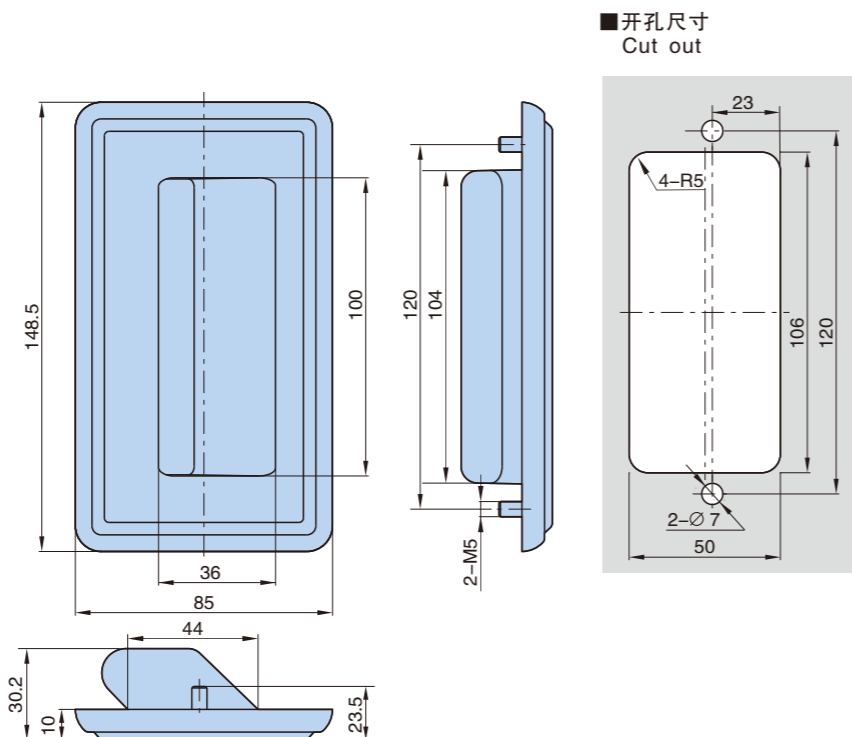
N不锈钢件系列
Stainless steel series

PL025

嵌入式拉手 Pocket Pull



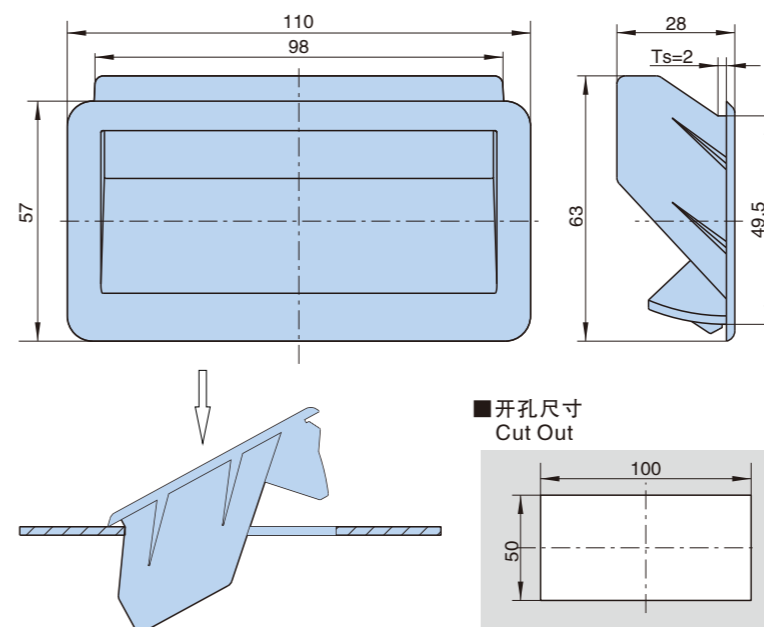
- 材质: PA拉手,带NBR防水垫
- 表面处理: 黑色沙纹面
- Material: PA handle, waterproof pad with NBR
- Finish: black sand grain surface.



型号 Product no.	产品单重(g) Weight	装箱数 Lot
PL025	85	400

嵌入式拉手 Pocket Pull

PL033



型号 Product no.	产品单重(g) Weight	装箱数 Lot
PL033	38.4	200



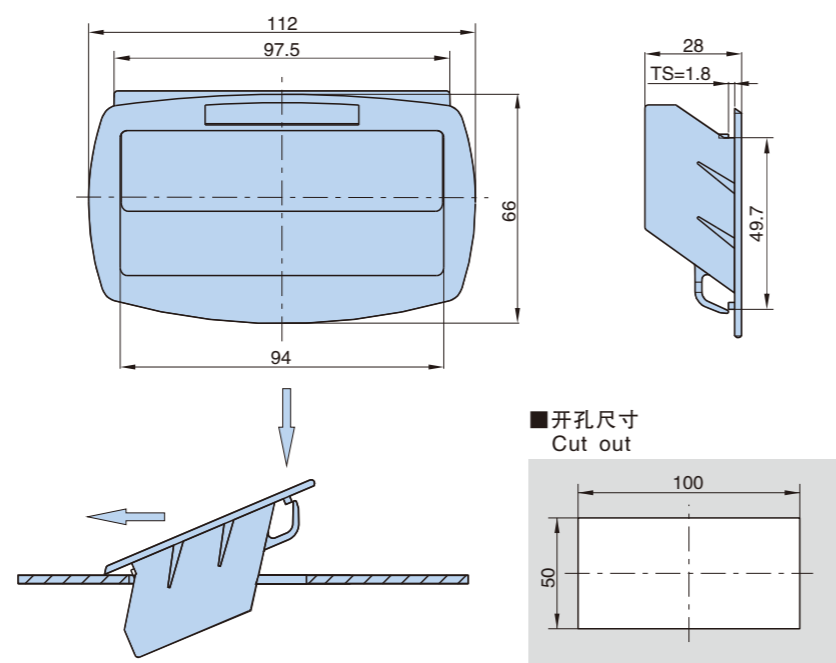
- 材质: PA
- 表面处理: 黑色沙纹面
- 适用门板厚度: 1~2mm.
- Material: PA6
- Finish: black sand grain surface.
- Panel thickness: 1~2mm

PL027

嵌入式拉手 Pocket Pull



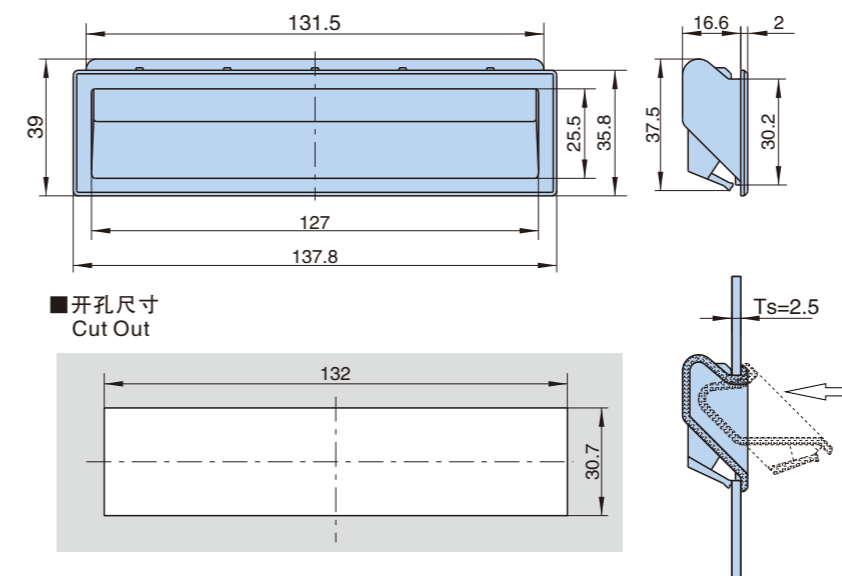
- 材质: PA
- 表面处理: 黑色沙纹面
- 适用门板厚度: 1.5mm
- Material: PA
- Finish: black sand grain surface.
- Panel thickness: 1.5mm



型号 Product no.	产品单重(g) Weight	装箱数 Lot
PL027	82	400

嵌入式拉手 Pocket Pull

PL034



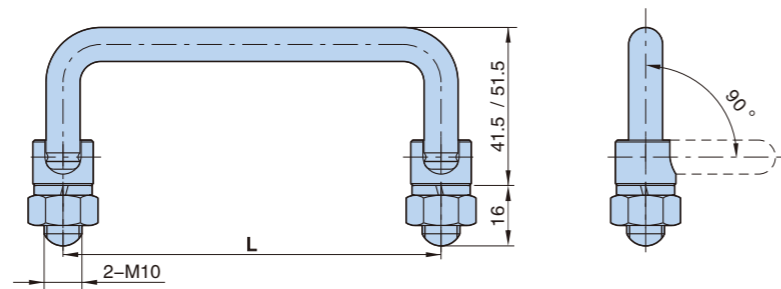
型号 Product no.	产品单重(g) Weight	装箱数 Lot
PL034	22.5	400



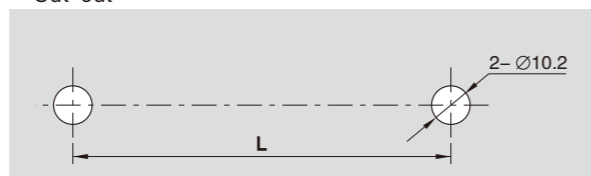
- 材质: ABS
- 表面处理: 黑色沙纹面
- 适用门板厚度: 2.5mm
- Material: black ABS.
- Finish: black sand grain surface.
- Panel thickness: 2.5mm.

PL004

可折叠式U拉手 Folding U-Shape Handles



■开孔尺寸
Cut out

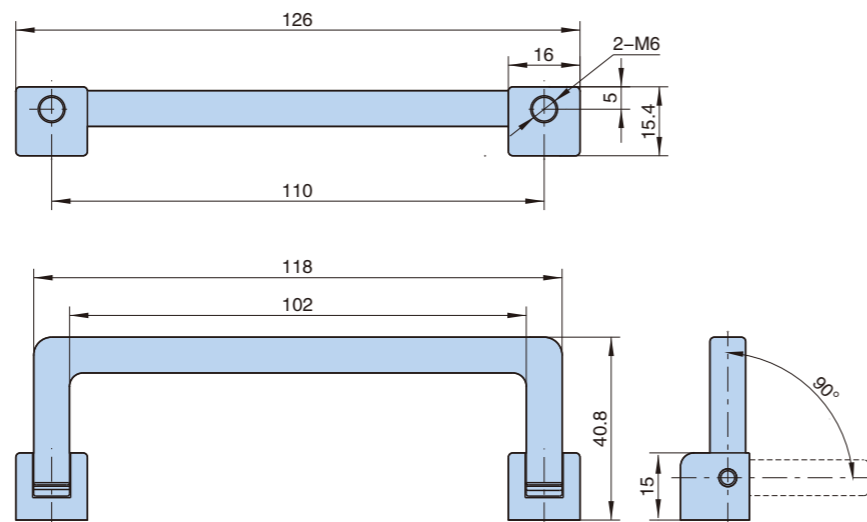


- 材质: A3
- 表面处理: 镀亮铬
- 备注: 常规为PL004-2, 高为37.5
中心距为100
- Material:A3
- Finish: Bright chrome plating

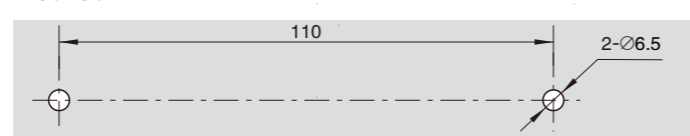
型号 Product no.	基本尺寸L Dimensions L	产品单重(g) Weight	装箱数 Lot
PL004-1	87	118.5	200
PL004-2	100	129	200
PL004-2(不锈钢)	100	132	200
PL004-3	119	133	200
PL004-4	135	140	200
PL004-5	149	147	200

PL039

可折叠式U拉手 Folding U-Shape Handles



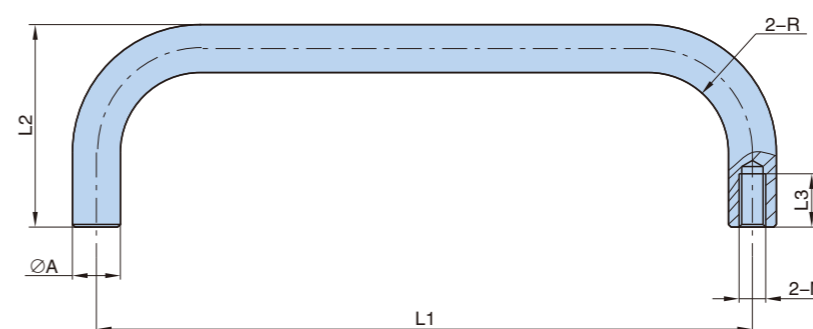
■开孔尺寸
Cut Out



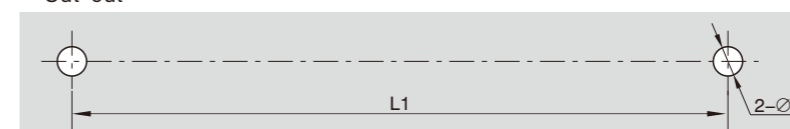
- 材质: 锌合金拉手, 拉手座.
- 表面处理: 喷沙镀铬
- Material: Zinc die-casting
- Finish: Pocked chrome plating

型号 Product no.	产品单重(g) Weight	装箱数 Lot
PL039	103	250

U型拉手 U shape Handles

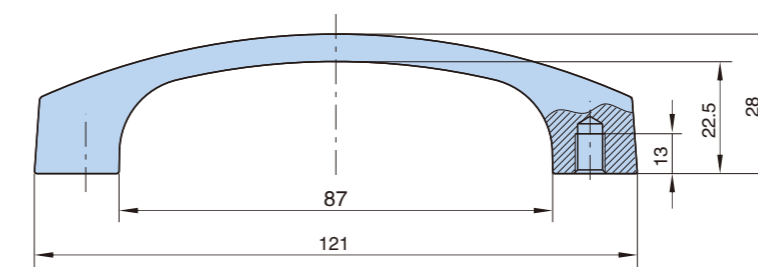
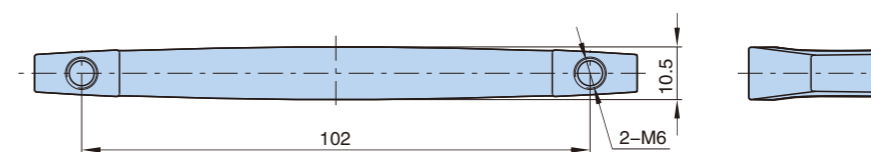


■开孔尺寸
Cut out

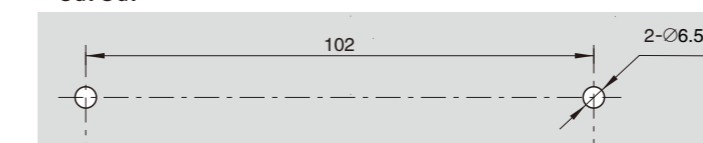


型号 Product no.	基本尺寸 Dimensions							产品单重(g) Weight	装箱数 Lot
	L1	L2	L3	M	R	ØA	ØB		
PL019-1	200	38	10	M5	R15	Ø9	Ø5.5	120	200
PL019-1A	150	55	10	M5	R15	Ø9	Ø5.5	110	200
PL019-2	100	38	10	M5	R6	Ø9	Ø5.5	72	200
PL019-2(不锈钢)	100	38	10	M5	R6	Ø9	Ø5.5	75	200
PL019-3	76	30	12	M4	R6	Ø8	Ø4.5	19	400
PL019-4	90	38	10	M5	R15	Ø9	Ø5.5	52	400

U型拉手 U shape Handles



■开孔尺寸
Cut Out



型号 Product no.	产品单重(g) Weight	装箱数 Lot
PL037	64	400

PL019



- 材质: A3
- 颜色: 镀亮铬
- Material:A3
- Finish: Bright chrome plating

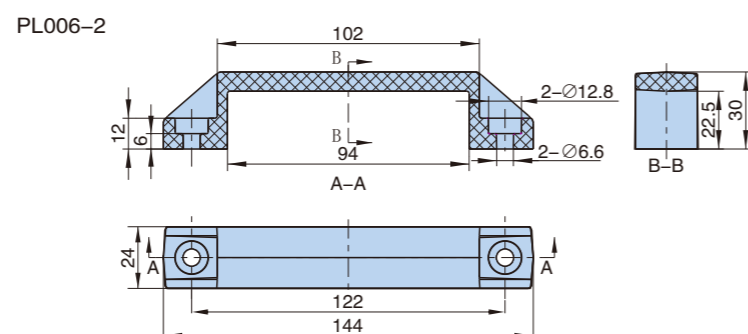
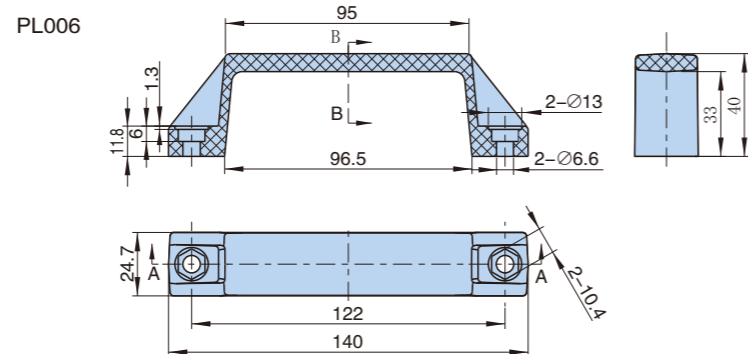
PL037



- 材质: 锌合金
- 表面处理: 镀亮铬
- Material: Zinc die-casting
- Finish: Bright chrome plating

PL006

U型拉手 U shape Handles

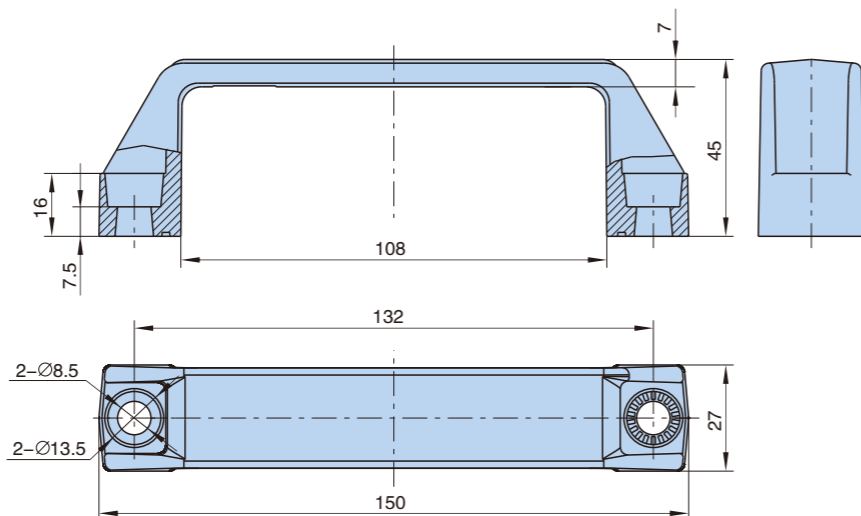


- 材质: PA
- 表面处理: 黑色沙纹面
- Material: PA
- Finish: black sand grain surface.

型号 Product no.	产品单重(g) Weight	装箱数 Lot
PL006	36.5	400
PL006-2	32	400

PL036

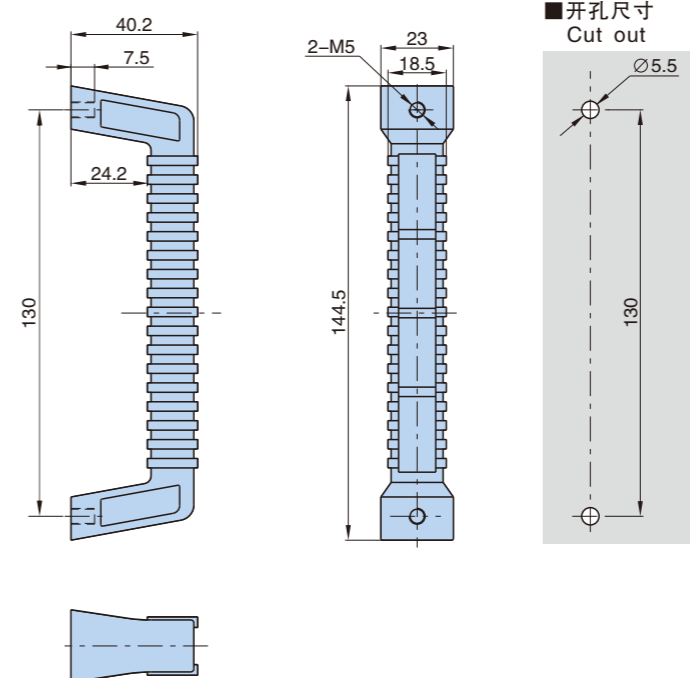
U型拉手 U shape Handle



- 材质: PA
- 表面处理: 黑色沙纹面
- Material: PA
- Finish: black sand grain surface.

型号 Product no.	产品单重(g) Weight	装箱数 Lot
PL036	224	50

U型拉手 U shape Handles



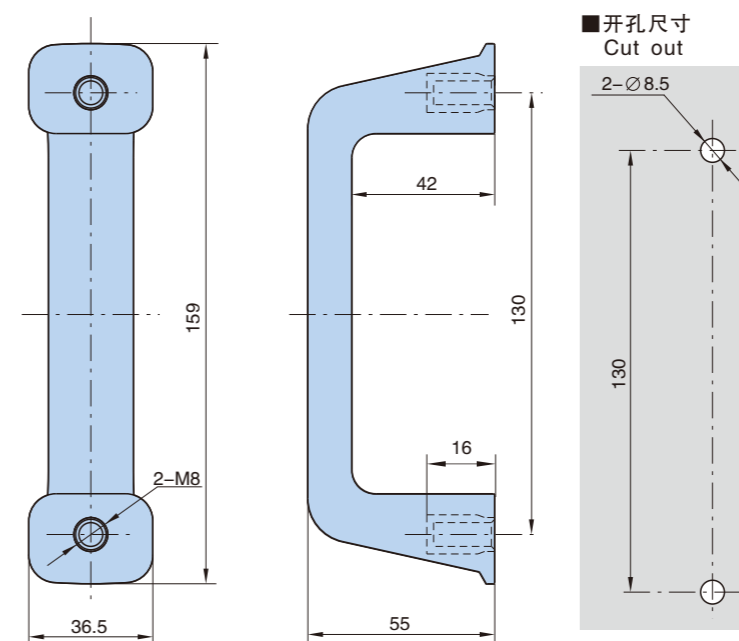
型号 Product no.	产品单重(g) Weight	装箱数 Lot
PL007	34	400

PL007



- 材质: PA
- 表面处理: 黑色
- Material: PA
- Finish: black

U型拉手 U shape Handles



型号 Product no.	产品单重(g) Weight	装箱数 Lot
PL026	113	400

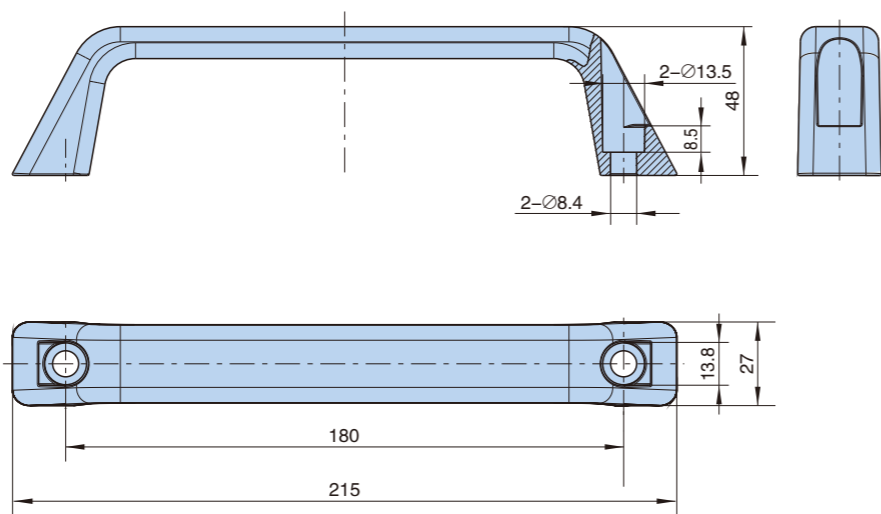
PL026



- 材质: ABS
- 颜色: 黑色
- Material: ABS
- Finish: black

PL038

U型拉手 U shape Handles

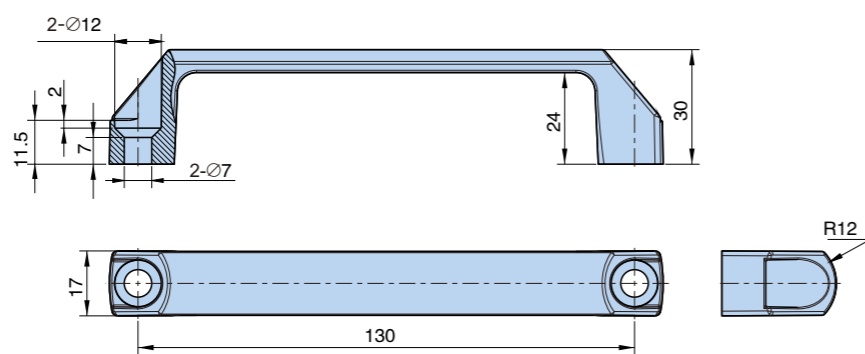


型号 Product no.	产品单重(g) Weight	装箱数 Lot
PL038	162	50

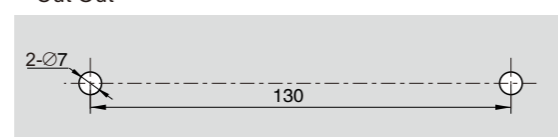
- 材质: 铝合金
- 表面处理: 喷砂纹黑
- Material: Aluminium Alloy
- Finish: Matt black

PL042

U型拉手 U shape Handles



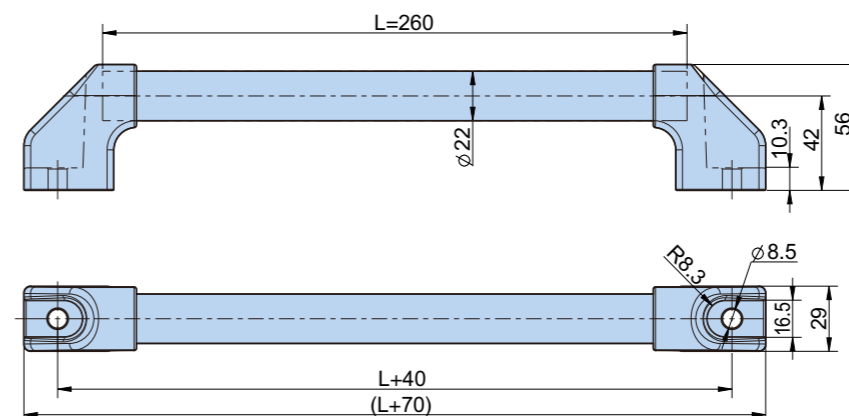
■ 开孔尺寸
Cut Out



型号 Product no.	产品单重(g) Weight	装箱数 Lot
PL042	117.5	125

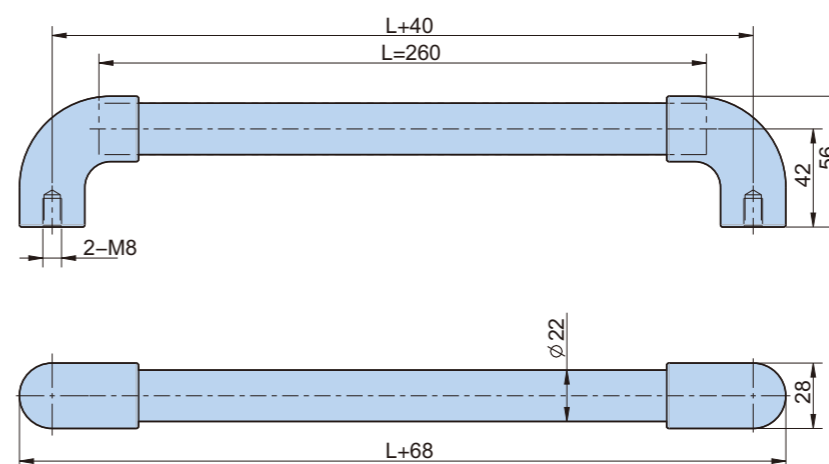
- 材质: 锌合金
- 表面处理: 喷砂纹黑
- Material: zinc die-casting
- Finish: matt black

U型拉手 U shape Handles



型号 Product no.	产品单重(g) Weight	装箱数 Lot
PL041-1	149.5	100

U型拉手 U shape Handles



型号 Product no.	产品单重(g) Weight	装箱数 Lot
PL041-2	155	100

PL041-1



- 材质: PA+铜镶件拉手座, 6063铝管
- 表面处理: 粗火花纹黑色拉手座 阳极氧化亚光黑铝管
- 适用门板厚度: 1~5mm
- Material: PA copper insert handle, 6030 aluminum tube
- Finish: coarse fire pattern black handle anodized matte black aluminum tube
- Panel thickness: 1~5mm.

PL041-2



- 材质: PA+铜镶件拉手座, 6063铝管
- 表面处理: 粗火花纹黑色拉手座 阳极氧化亚光黑铝管
- 适用门板厚度: 1~5mm
- Material: PA copper insert handle, 6030 aluminum tube
- Finish: coarse fire pattern black handle anodized matte black aluminum tube
- Panel thickness: 1~5mm.

PL021

杠杆式拉手 Lever Handles

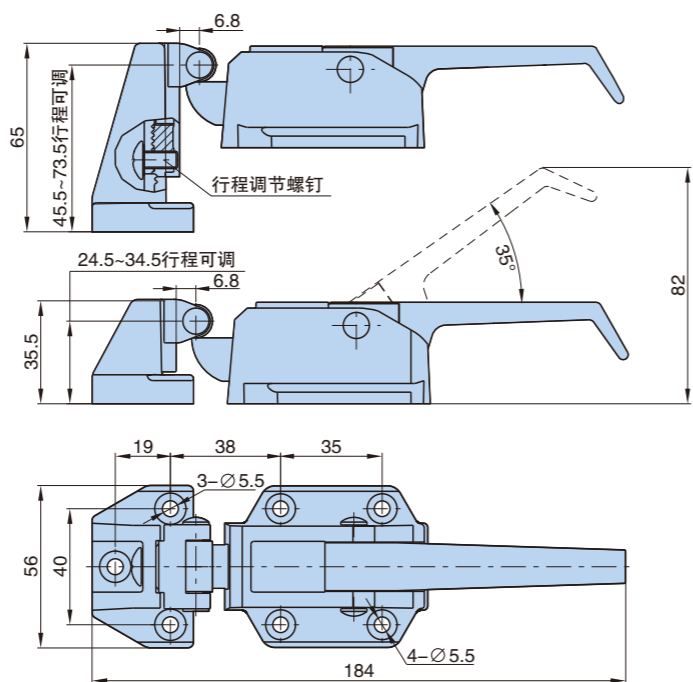


PL021-1K PL021-2K



PL021

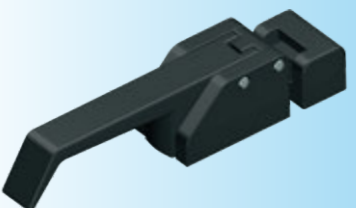
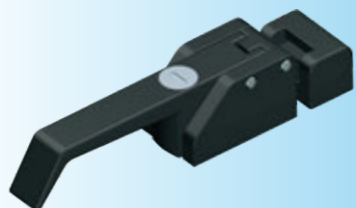
- 材质: 锌合金
- 表面处理: 镀亮铬
- Material: Zinc die-casting
- Finish: Bright chrome plating



型号 Product no.	产品单重(g) Weight	装箱数 Lot
PL021	319.5	40
PL021-1K	202	100
PL021-2K	132	100

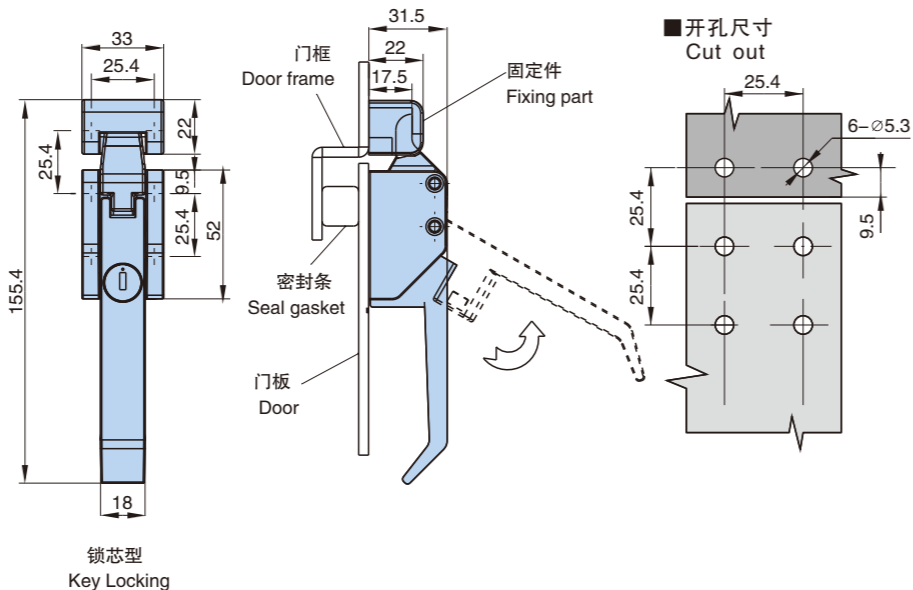
PL021

杠杆式拉手 Lever Handles



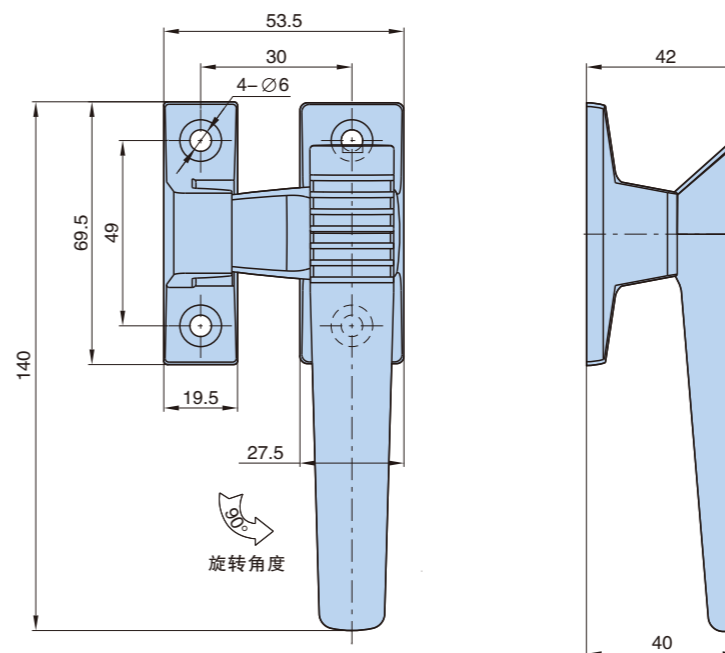
✓
可定制产品
Customizable products

- 材质: 锌合金
- 表面处理: 喷无光黑
- Material: Zinc die-casting
- Finish: Black powder coated



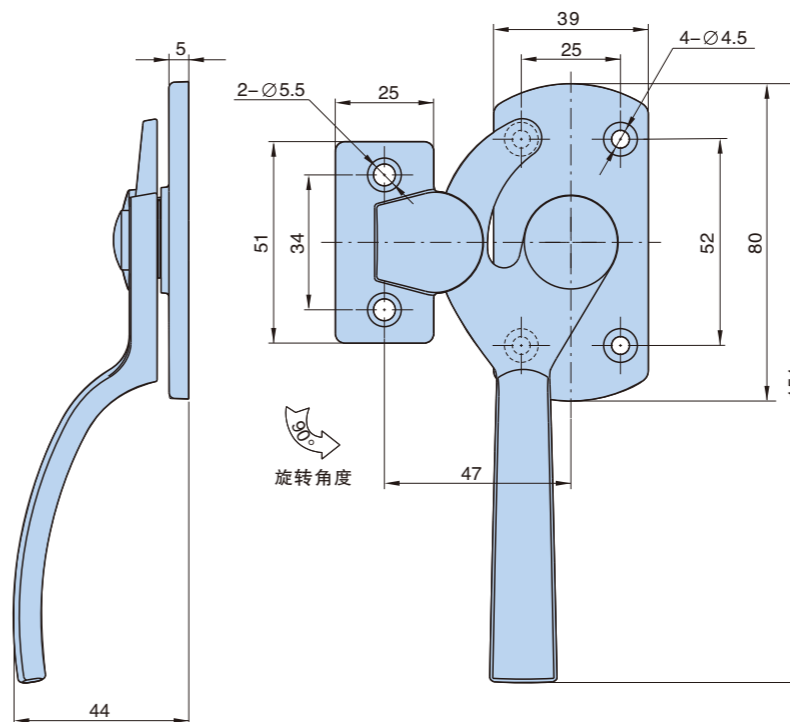
型号 Product no.	锁芯类别 Insert types	产品单重(g) Weight	装箱数 Lot
PL021-3-1	带锁芯 CH751 Locking		
PL021-3-2	不带锁芯 Non-locking		

旋转式拉手 Rotary Handles



型号 Product no.	产品单重(g) Weight	装箱数 Lot
PL022R	315	50
PL022L		

旋转式拉手 Rotary Handles



型号 Product no.	产品单重(g) Weight	装箱数 Lot
PL029-2L	224	50
PL029-2R		

PL022



PL022R PL022L

- 材质: 锌合金
- 表面处理: 镀亮铬
- 备注: 调整定位件可实现左右, 常规为右
- Material: Zinc die-casting
- Finish: Bright chrome plating
- Remarks: For both left and right hand use, It can be changed by reversing the stopper plate, The common is right

PL029-2

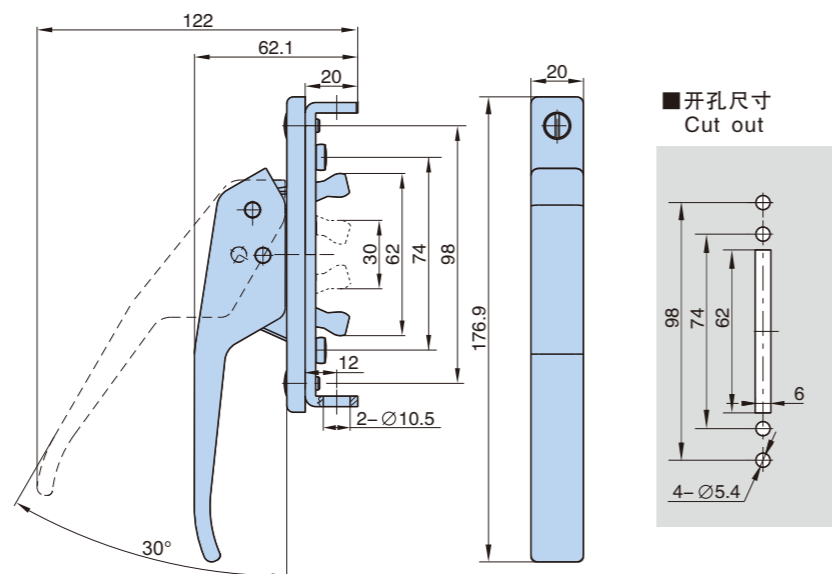


PL029-2R PL029-2L

- 材质: 锌合金
- 表面处理: 镀亮铬
- material: zinc alloy
- Finish: bright chrome plating

PL020-1

杠杆式拉手 Lever Handles

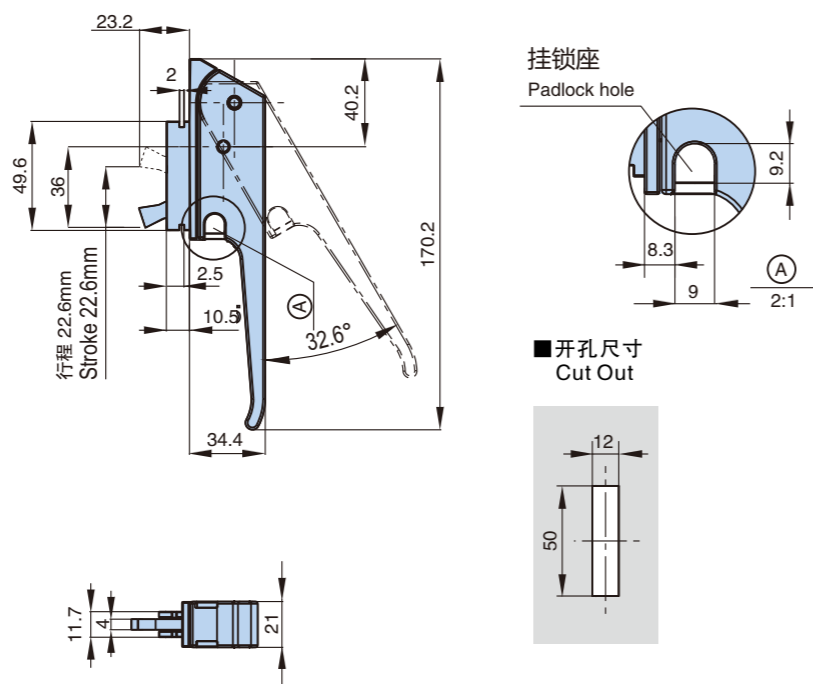


- 材质: 锌合金手柄、支架座, 支架、A3销子
- 结构功能: 拉手并可实现拉杆锁门, 行程16mm, 左右开门通用
- 适用门板厚度: 1~3mm
- Material: Zinc die-casting body, steel fixing parts and pin
- Structure: handle, locked by rod. Adjustable 16mm, left hand and right hand use
- Panel thickness: 1~3mm

型号 Product no.	表面处理 Finish	产品单重(g) Weight	装箱数 Lot
PL020-1.2	镀沙铬 Gray chrome	342	50
PL020-1.3	无光黑 Black powder		

PL043-1

杠杆式拉手 Lever Handles

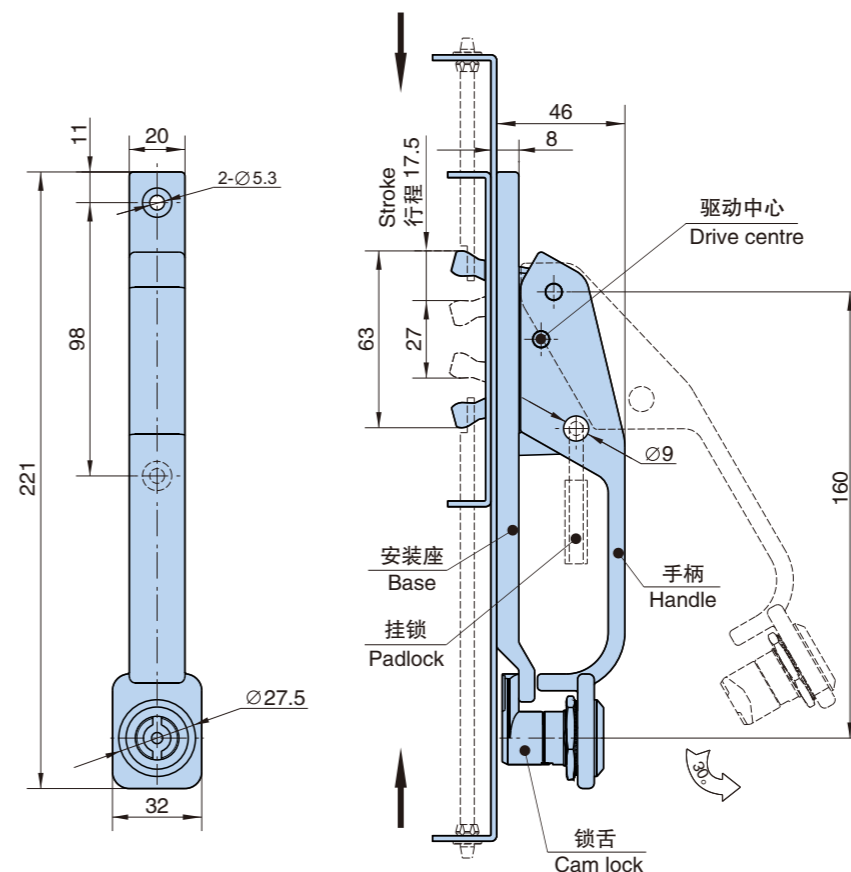


- 材质: 锌合金手柄、支架座, 支架、A3销子
- 表面处理: 喷无光黑
- 结构功能: 拉手并可实现拉杆锁门, 行程22.6mm,
- 适用门板厚度: 1~2mm
- Material: Zinc die-casting body, steel fixing parts and pin
- Finish: Black powder coated
- Structure: handle, locked by rod. Adjustable 22.6mm,
- Panel thickness: 1~2mm

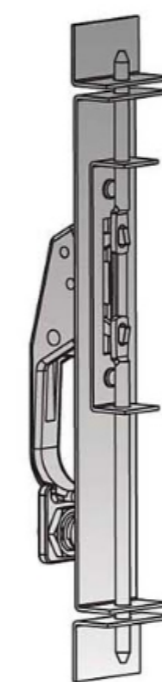
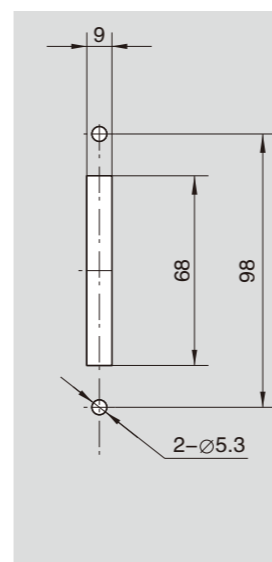
型号 Product no.	产品单重(g) Weight	装箱数 Lot
PL043-1	376	50

杠杆式拉手 Lever Handles

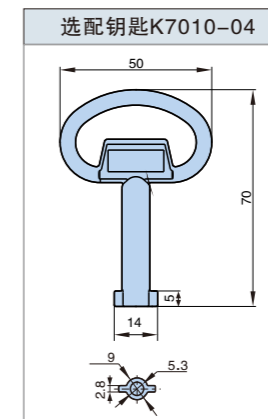
MS3004Z-1-1



■ 开孔尺寸
Cut Out



安装示意
Application example



型号 Product no.	产品单重(g) Weight	装箱数 Lot
MS3004Z-1-1	546	24



- 材质: 锌合金安装座, 手柄
- 表面处理: 喷灰绿色亮面漆
- 结构说明: 手柄带动拔杆两点联动图示传动机构仅供参考, 一般情况由客户自行设计
- 备注: 选配钥匙K7010-04
- 适用门板厚度: 1~3mm
- Material: Zinc die-casting body and handle
- Finish: with grey-green color coating
- Mechanism: As per the left assembly instruction
- Panel thickness: 1~3mm
- Remark: key default K7010-04

AB301

滑动旋转式平面锁 Sliding Rotary Plane Lock

滑动旋转式平面锁 Sliding Rotary Plane Lock

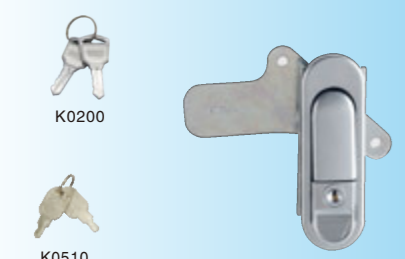
AB301-2A-1G



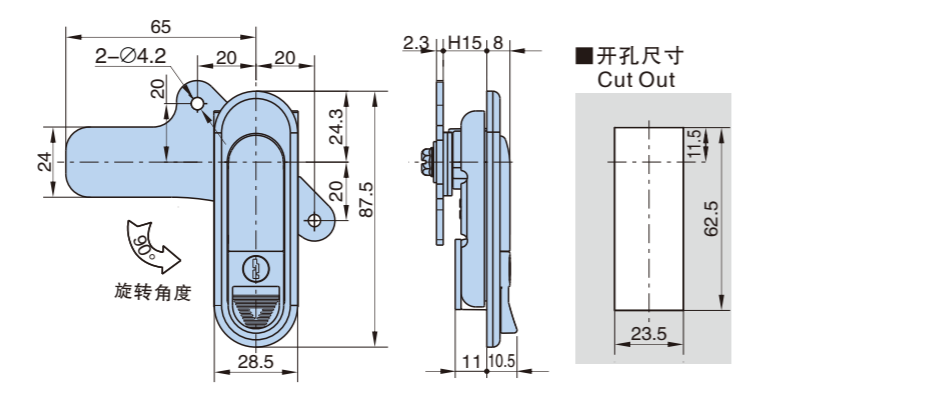
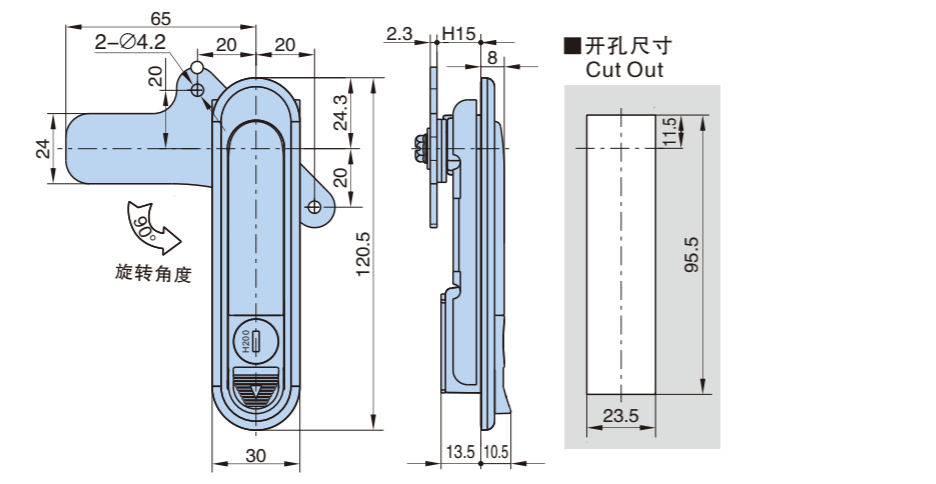
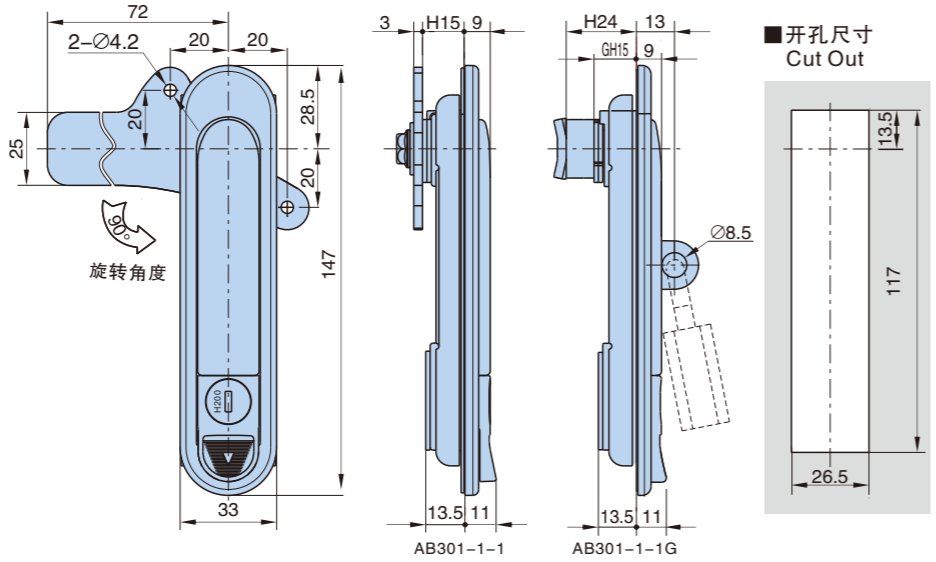
AB301-1-1 AB301-1-1G



AB301-3-1 AB301-2-1



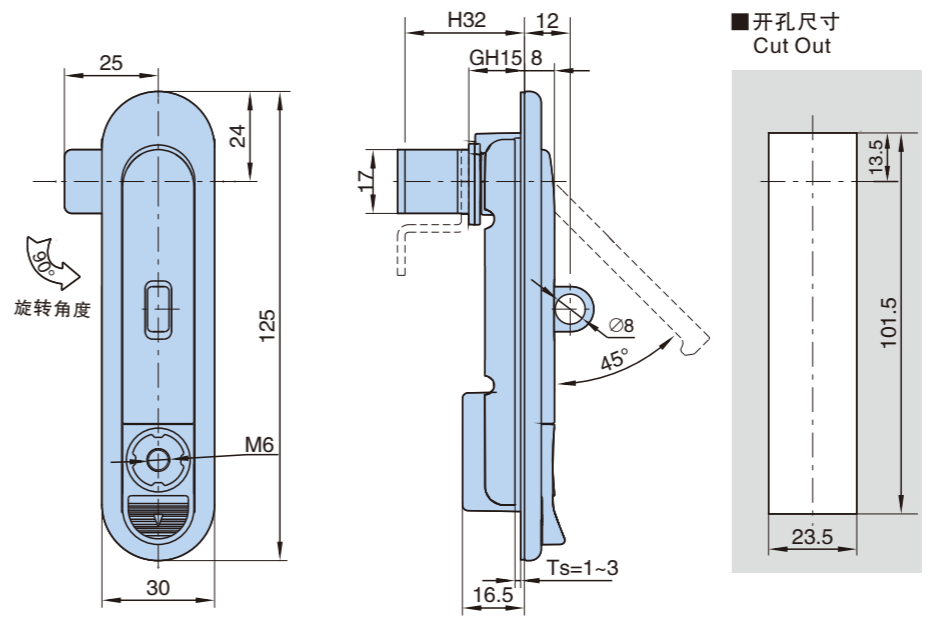
AB301-3A-1



产品型号及特性 Product Number		产品单重(g) Weight	装箱数 Lot
镀沙铬 Gray chrome plating	喷无光黑 Black powder coated		
AB301-1-1.2	AB301-1-1.3	370	50
AB301-1-1G.2	AB301-1G-1.3	450	50
AB301-2-1.2	AB301-2-1.3	290	100
AB301-3-1.2	AB301-3-1.3	215	100
AB301-3A-1.2	AB301-3A-1.3	215	100

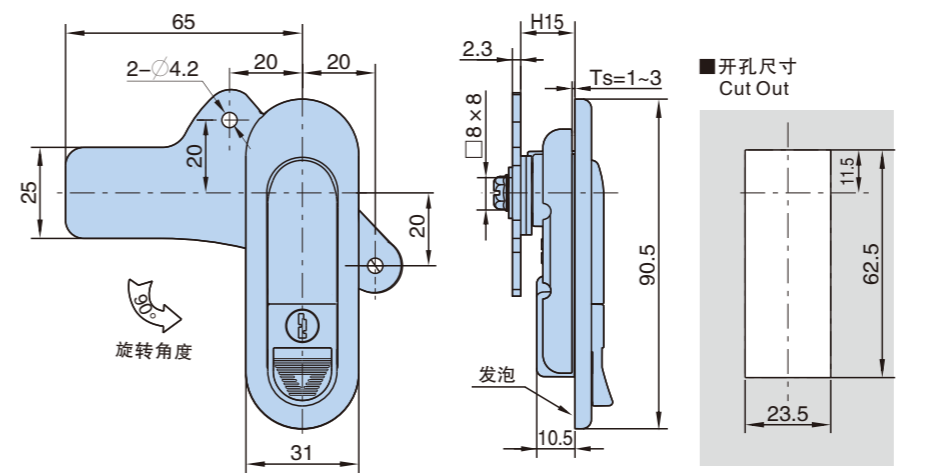


- 材质: 锌合金锁体, 碳钢锁片、安装板
- 表面处理: 喷漆银色, 配件镀蓝白锌
- 结构功能: 拉动按钮, 弹出锁背旋转90°, 实现开启或锁闭功能。
- 适用门板厚度: 1~3mm
- 备注: 锁片开孔□8X8
- Material: zinc alloy for the housing, lock back, steel cam assemble ing plate.
- Finish: Gray spray painting
- Panel thickness: 1~3mm
- Remark: Cam Cut out□8X8



型号 Product no.	产品单重(g) Weight	装箱数 Lot
AB301-2A-1G	204	100

滑动旋转式平面锁 Sliding Rotary Plane Lock



型号 Product no.	产品单重(g) Weight	装箱数 Lot
AB301-3B-1	200.5	100

AB301-3B-1



- 材质: 锌合金锁体, 碳钢锁片、安装板
- 表面处理: 镀沙铬
- 结构功能: 手柄向上打开, 带动锁片90°旋转实现开启。
- 适用门板厚度: 1~3mm
- 备注: 锁片开孔□8×8。
- Material: zinc alloy for the housing, lock back, steel cam assemble ing plate.
- Finish: gray chrome plating,
- Fuction: the cam turns 90~ to unlock when open the handle up
- Panel thickness: 1~3mm
- Remark: □8×8 cut out.

AB302

滑动旋转式平面锁 Sliding Rotary Plane Lock

按压旋转式平面锁 Press rotary plane lock

AB102



AB302-1-1

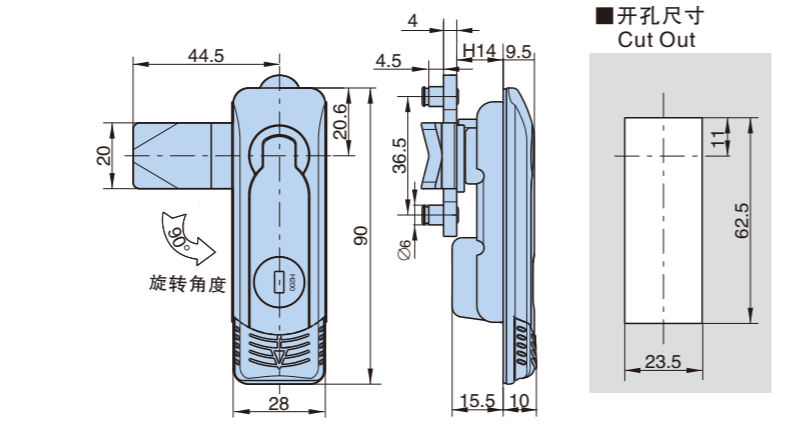
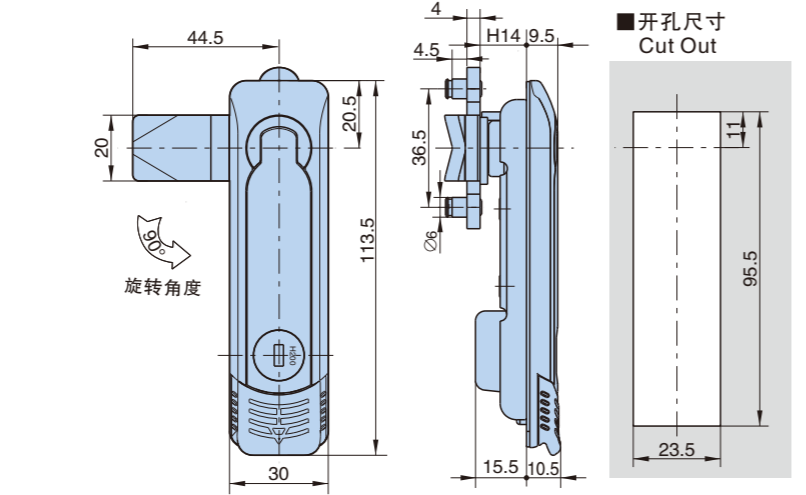
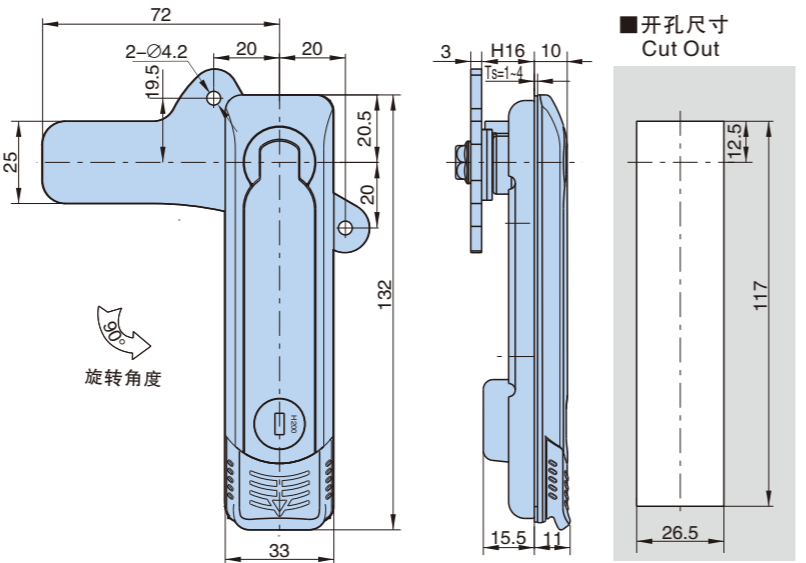


AB302-2-1

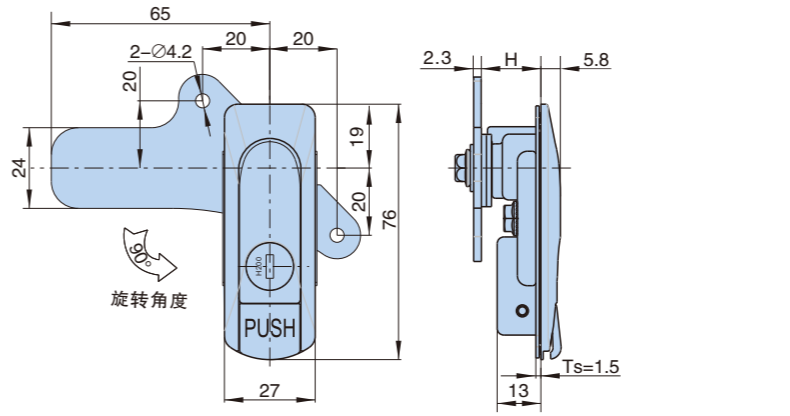
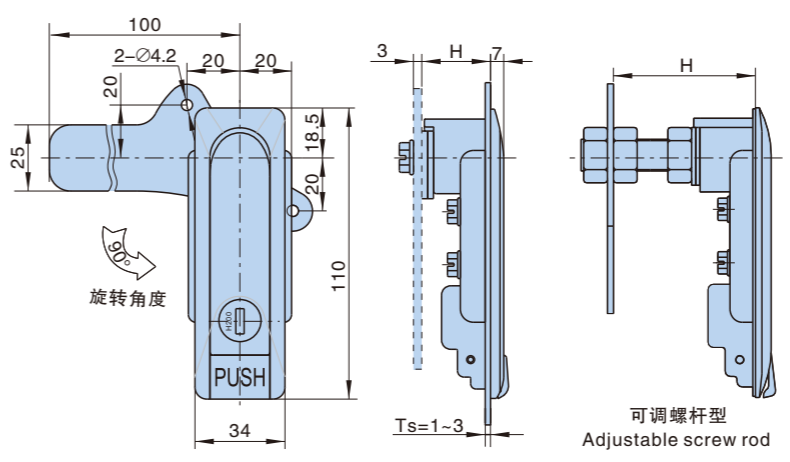
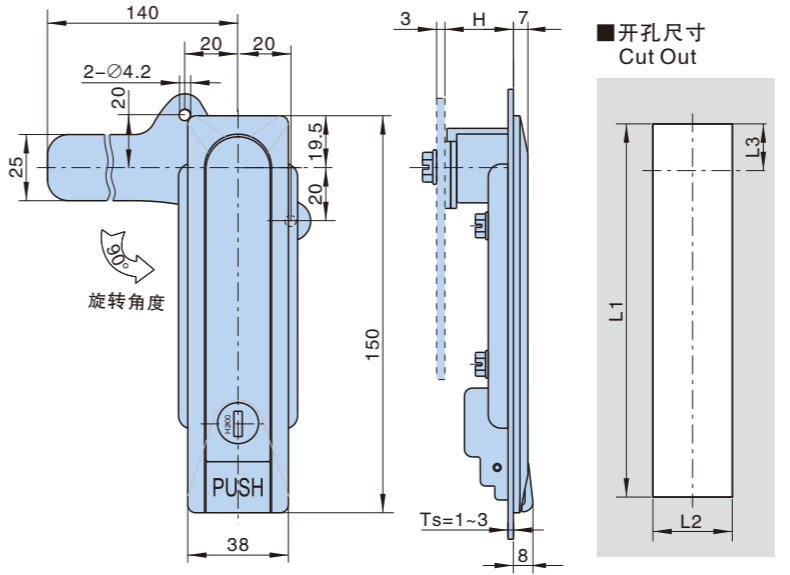


AB302-3-1

- 材质: 锌合金锁壳、锁背, 转轴, PA滑盖, 镀锌压板、锁片
- 适用门板厚度: 1~3mm
- 备注: AB302-1锁片开孔□10×10 其余型号锁片开孔□8×8
- Material: Zinc die-casting housing, handle, shaft, PA sliding cover, Zinc plating cam, fixing parts
- Panel thickness: 1~3mm
- Remark: AB302-1 cam cutout □10x10 the other item No of cam cutout □8x8



产品型号及特性 Product Number		产品单重(g) Weight	装箱数 Lot
■ 喷无光黑 Black powder coated			
AB302-1-1.8	AB302-1-1.3	300	50
AB302-2-1.8	AB302-2-1.3	235	100
AB302-3-1.8	AB302-3-1.3	182	100



基本尺寸 Dimensions				产品型号及特性 Product Number			
L1	L2	L3	H	镀沙铬 Gray chrome plating	喷无光黑 Black powder coated	产品单重(g) Weight	装箱数 Lot
141	30	15	28/25/22	AB102-1-1.2	AB102-1-1.3	575	50
102.5	27	14.75	28/25/22	AB102-2-1.2	AB102-2-1.3	329	50
62.5	23.5	12.5	16.5/15/13.5	AB102-3-1.2	AB102-3-1.3	170	100
141	30	15	22-64	AB102-1-2.2	AB102-1-2.3	429	50
102.5	27	14.75	22-64	AB102-2-2.2	AB102-2-2.3	270	100



AB102-1-1



AB102-2-1



AB102-3-1

- 材质: 锌合金转轴, 镀锌压板锁片, 螺杆
- 适用门板厚度: 1~3mm
- 备注: AB102-1, AB102-2 锁片开孔□10×10 AB102-3, 锁片开孔□8×8
- Material: Zinc die-casting shaft, Zinc plating cam, screw rod
- Panel thickness: 1~3mm
- Remark: AB102-1 AB102-2 cam cutout □10x10 AB102-3 cam cutout □8x8

A拉手系列
Handles series

B平面锁系列
Plane lock series

C连杆锁系列
Rod control series

D面板锁系列
Plane lock series

E执手锁系列
Handle lock series

F转舌锁系列
Cam lock series

G铰链系列
Hinge series

H搭扣锁系列
Toggle lock series

I门销系列
Door bolt series

J电子锁系列
Electronic lock series

K密封条系列
Gasketing series

L限位系列
Door stop series

M附件系列
Accessories series

N不锈钢件系列
Stainless steel series

索引
Index

A拉手系列
Handles series

B平面锁系列
Plane lock series

C连杆锁系列
Rod control series

D面板锁系列
Plane lock series

E执手锁系列
Handle lock series

F转舌锁系列
Cam lock series

G铰链系列
Hinge series

H搭扣锁系列
Toggle lock series

I门销系列
Door bolt series

J电子锁系列
Electronic lock series

K密封条系列
Gasketing series

L限位系列
Door stop series

M附件系列
Accessories series

N不锈钢件系列
Stainless steel series

索引
Index

MS104C

按压旋转式平面锁 Press rotary plane lock

按压旋转式平面锁 Press rotary plane lock

MS104C



MS104C-1-1

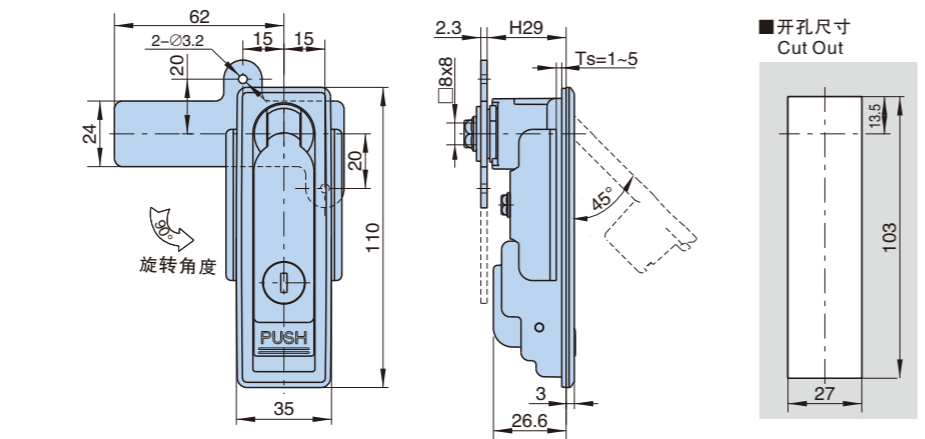
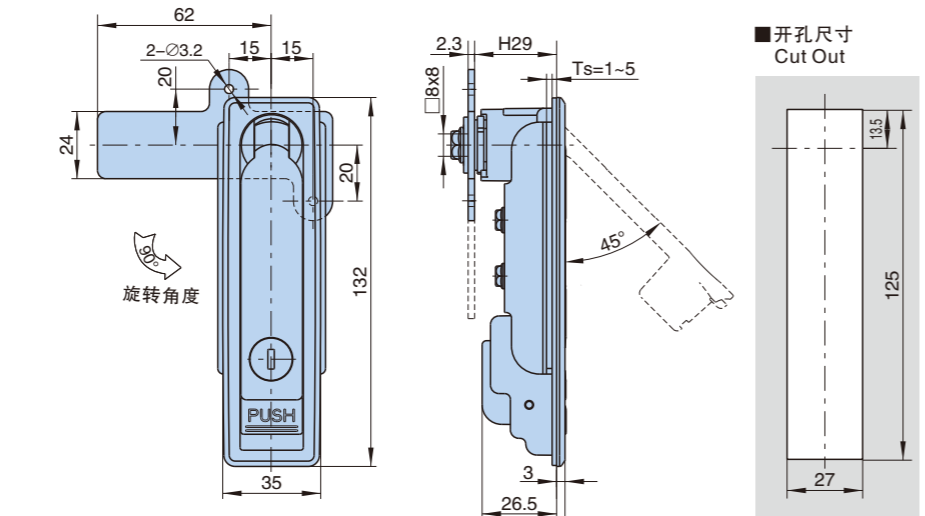
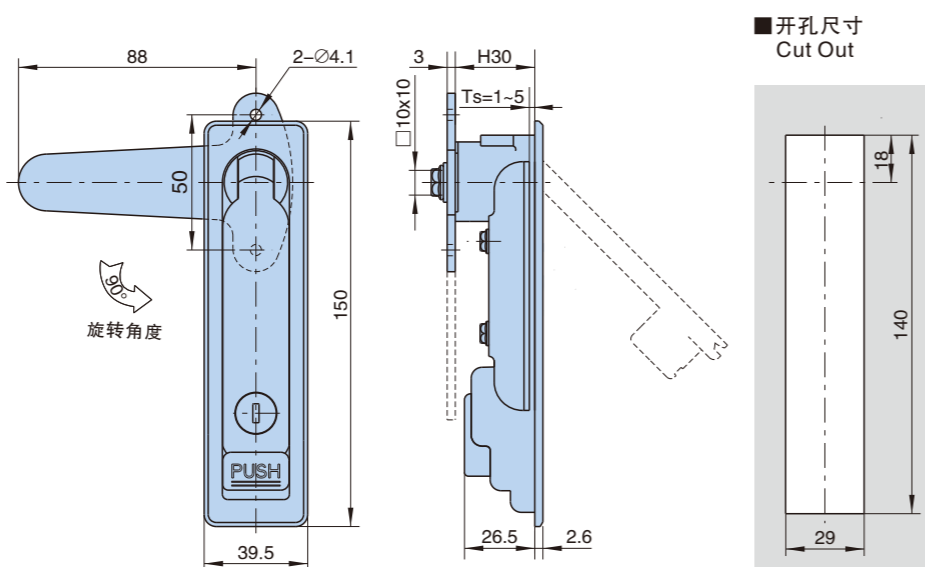


MS104C-2-1

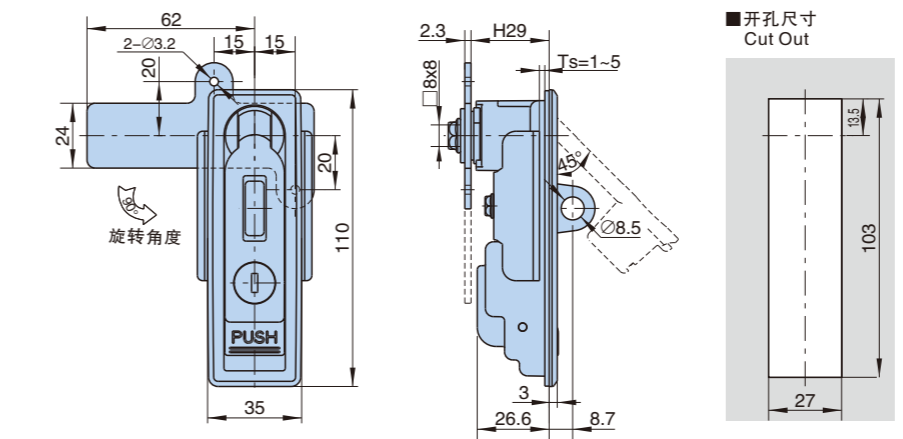
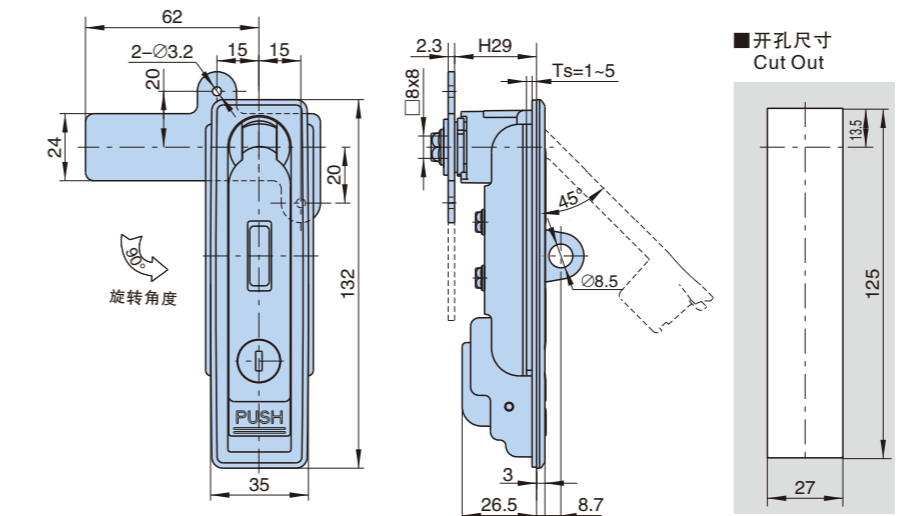
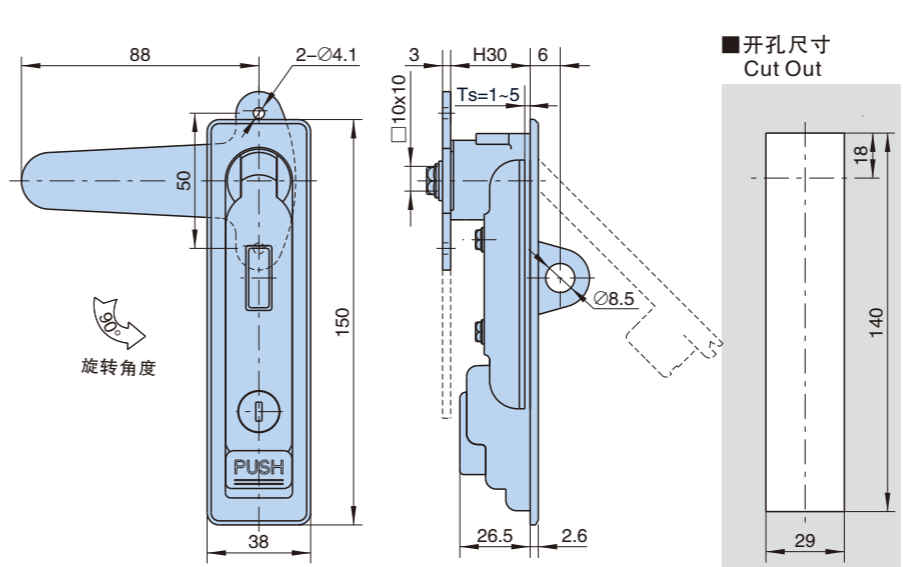


MS104C-3-1

- 材质: 锌合金锁壳、转轴, 镀锌压板、锁片
- 适用门板厚度: 1~3mm
- 备注:MS104C-1-1G锁片开孔 $\square 10 \times 10$ 其余型号锁片开孔 $\square 8 \times 8$
- 表面处理: 镀沙铬, 镀亮铬, 喷无光黑
- Material: Zinc die-casting body and shaft, Zinc plating cam
- Panel thickness: 1~3mm fixin parts
- Remark:MS104C-1-1G, cam cutout $\square 10 \times 10$ the other item No of cam cutout $\square 8 \times 8$
- Finish: Cray chrome plating, Bright chrome plating Black powder coated



产品型号及特性 Product Number		产品单重(g) Weight	装箱数 Lot
锁芯(K0600(A))	锁芯(K0200)		
MS104C-1-1A	MS104C-1-1	565	40
MS104C-2-1A	MS104C-2-1	435	50
MS104C-3-1A	MS104C-3-1	372	50



产品型号及特性 Product Number		产品单重(g) Weight	装箱数 Lot
锁芯(K0600(A))	锁芯(K0200)		
MS104C-1-1AG	MS104C-1-1G	565	40
MS104C-2-1AG	MS104C-2-1G	416.7	50
MS104C-3-1AG	MS104C-3-1G	359.5	50



MS104C-1-1G



MS104C-2-1G

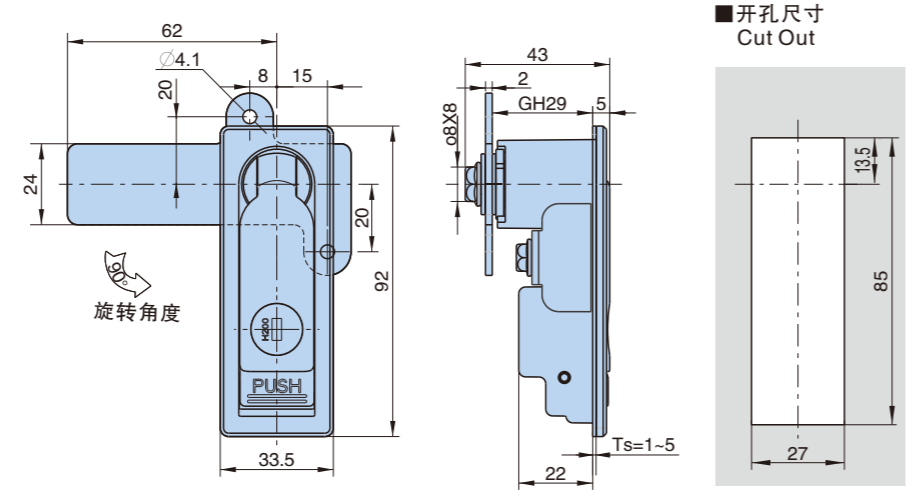
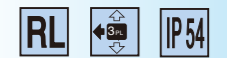


MS104C-3-1G

- 材质: 锌合金锁壳、转轴, 镀锌压板、锁片
- 适用门板厚度: 1~3mm
- 备注:MS104C-1-1G锁片开孔 $\square 10 \times 10$ 其余型号锁片开孔 $\square 8 \times 8$
- 表面处理: 镀沙铬, 镀亮铬, 喷无光黑
- Material: Zinc die-casting body and shaft, Zinc plating cam
- Panel thickness: 1~3mm fixin parts
- Remark:MS104C-1-1G, cam cutout $\square 10 \times 10$ the other item No of cam cutout $\square 8 \times 8$
- Finish: Cray chrome plating, Bright chrome plating Black powder coated

MS104C

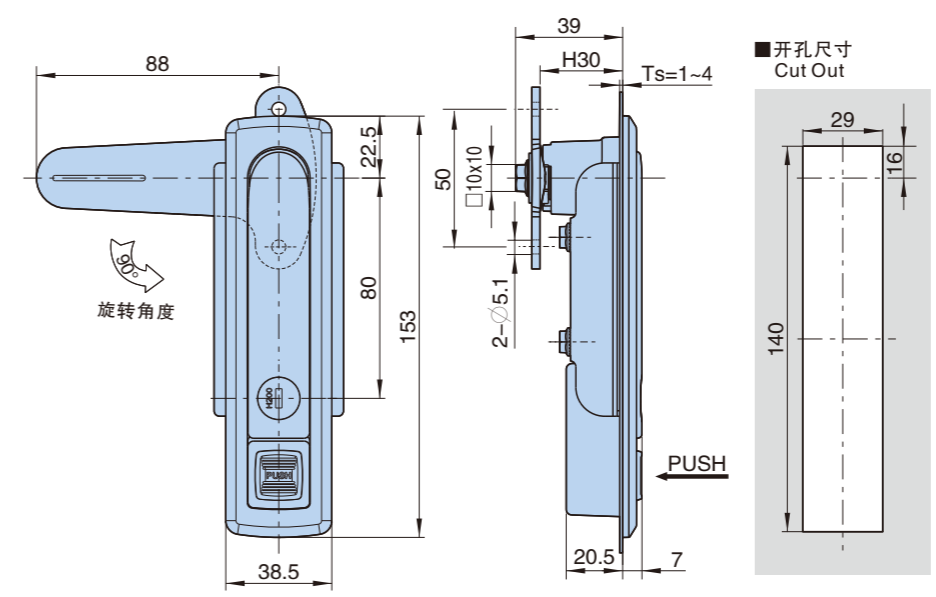
按压旋转式平面锁 Press rotary plane lock



- 材质: 锌合金锁壳、转轴, 镀锌压板、锁片
- 适用门板厚度: 1~3mm
- 备注: 锁片开孔 $\square 8 \times 8$
- 表面处理: 镀沙铬, 镀亮铬, 喷无光黑
- Material: Zinc die-casting body and shaft, Zinc plating cam
- Panel thickness: 1~3mm fixing parts
- Remark: cam cutout $\square 8 \times 8$
- Finish: Cray chrome plating, Bright chrome plating Black powder coated

产品型号及特性 Product Number		产品单重(g) Weight	装箱数 Lot
锁芯(K0600(A))	锁芯(K0200)		
MS104C-4-1A	MS104C-4-1	312	100

按压旋转式平面锁 Press rotary plane lock



型号 Product no.	产品单重(g) Weight	装箱数 Lot
MS6022Z-1-1	603.5	40

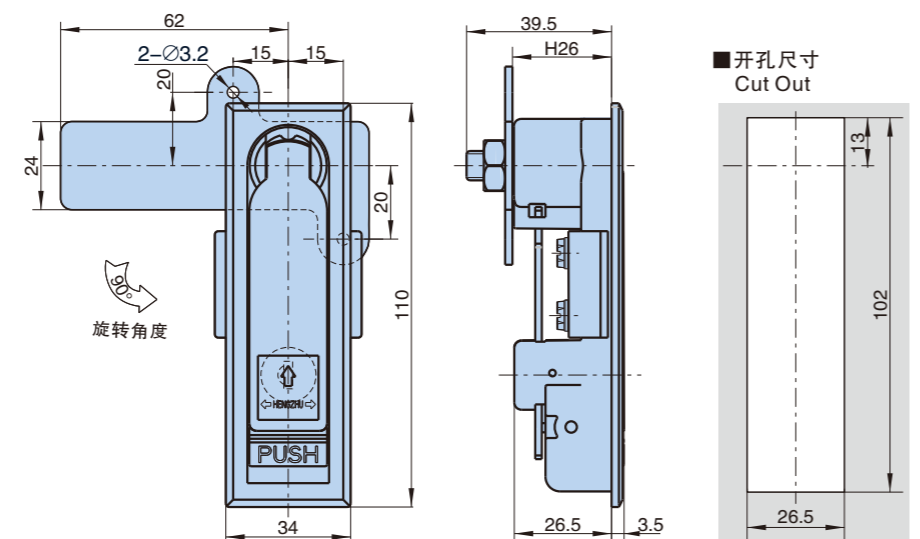
MS6022



- MS6022Z-1-1**
- 材质: 锌合金锁体, 碳钢锁片、安装板
 - 表面处理: 镀沙铬, 喷沙纹黑
 - 结构功能: 手柄向上打开, 带动锁片90°旋转实现开启。
 - 适用门板厚度: 1~3mm
 - 备注: 锁片开孔 $\square 10 \times 10$ 。
 - Material: zinc alloy for the housing, lock back, steel cam assemble ing plate.
 - Finish: gray chrome plating, matt back
 - Fuction: the cam turns 90° to unlock when open the handle up
 - Panel thickness: 1~3mm
 - Remark: $\square 10 \times 10$ cut out.

MS104

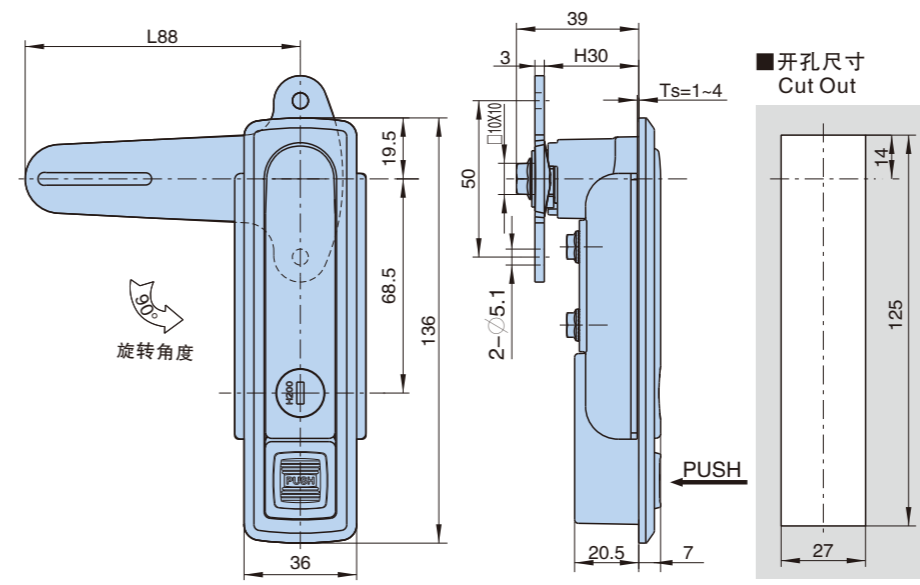
按压旋转式平面锁 Press rotary plane lock



- 材质: 锌合金锁体、镀锌压板、锁片
- 表面处理: 镀亮铬
- 适用门板厚度: 1~3mm
- Material: Zinc die-casting body, Zinc plating cam, fixing parts
- Finish: Bright chrome plated
- Panel thickness: 1~3mm

产品型号及特性 Product Number		产品单重(g) Weight	装箱数 Lot
左手锁 Left hand use	MS104L		
右手锁 Right hand use	MS104R	353	50

按压旋转式平面锁 Press rotary plane lock



型号 Product no.	产品单重(g) Weight	装箱数 Lot
MS6022Z-2-1	525	50

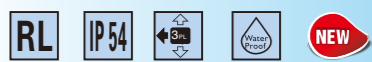
MS6022



- MS6022Z-2-1**
- 材质: 锌合金锁体, 碳钢锁片、安装板
 - 表面处理: 镀沙铬, 喷沙纹黑
 - 结构功能: 手柄向上打开, 带动锁片90°旋转实现开启。
 - 适用门板厚度: 1~3mm
 - 备注: 锁片开孔 $\square 10 \times 10$ 。
 - Material: zinc alloy for the housing, lock back, steel cam assemble ing plate.
 - Finish: gray chrome plating, matt back
 - Fuction: the cam turns 90° to unlock when open the handle up
 - Panel thickness: 1~3mm
 - Remark: $\square 10 \times 10$ cut out.

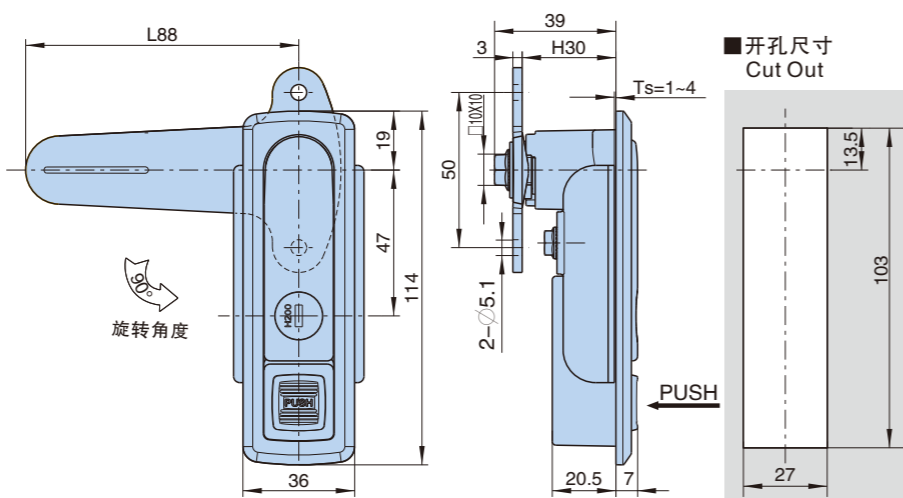
MS6022

按压旋转式平面锁 Press rotary plane lock



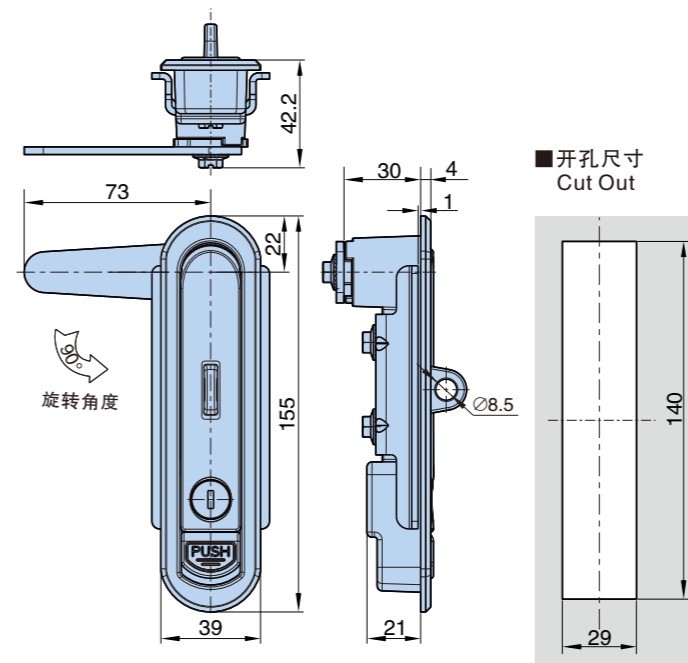
MS6022Z-3-1

- 材质: 锌合金锁体, 碳钢锁片、安装板
- 表面处理: 镀沙铬, 喷沙纹黑
- 结构功能: 手柄向上打开, 带动锁片90°~旋转实现开启。
- 适用门板厚度: 1~3mm
- 备注: 锁片开孔□10X10
- Material: zinc alloy for the housing, lock back, steel cam assembling plate.
- Finish: gray chrome plating, matt black
- Fuction: the cam turns 90° to unlock when open the handle up
- Panel thickness: 1~3mm
- Remark: □10 × 10 cut out.



型号 Product no.	产品单重(g) Weight	装箱数 Lot
MS6022Z-3-1	470	60

按压旋转式平面锁 Press rotary plane lock



型号 Product no.	特性说明 Characteristic description	产品单重(g) Weight	装箱数 Lot
MS6023S-1-1	不锈钢不带挂装置w/opadlock	576.5	40
MS6023S-1-1G	不锈钢带挂装置with padlock	585.5	40

MS6023S



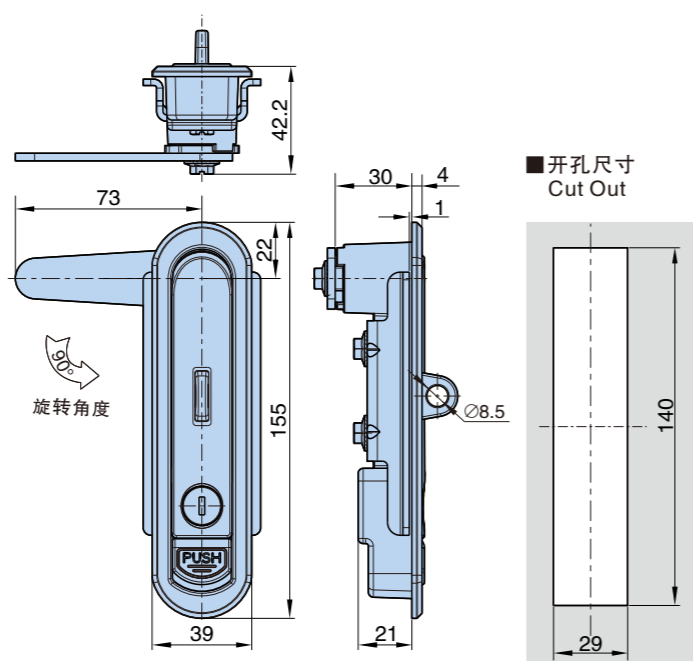
- 材质: 全不锈钢
- 表面处理: 镜面抛光或拉丝
- 结构功能: 手柄向上打开, 带动锁片90°~旋转实现开启或锁闭
- 适用门板厚度: 1~3mm
- 备注: 锁片开孔□10 × 10
- Material: Stainless steel
- Finish: Mirror polishing/Brushed
- Panel thickness: 1~3mm
- Remark: Cam Cutout □10 × 10

MS6023Z

按压旋转式平面锁 Press rotary plane lock

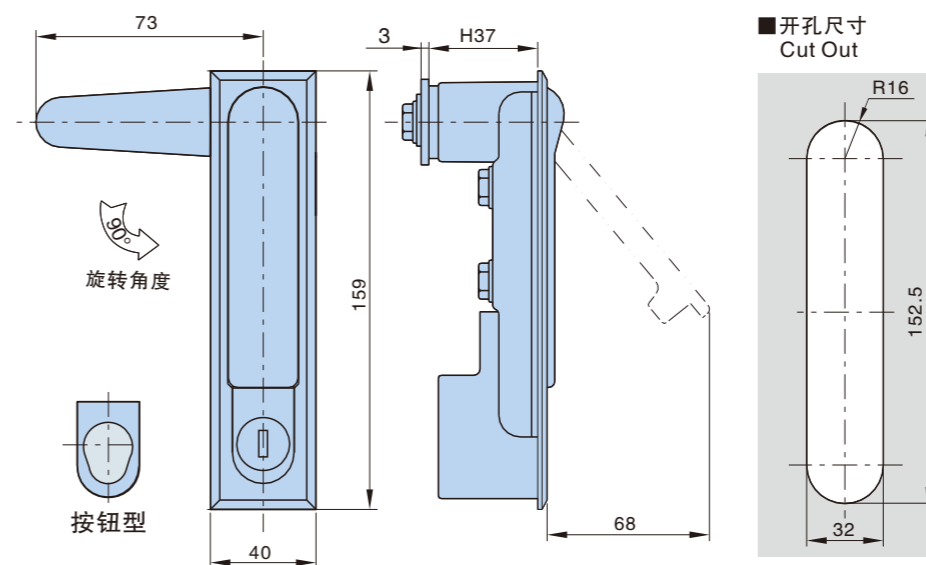


- 材质: 锌合金锁体、镀锌压板、锁片
- 表面处理: 镀沙铬, 喷无光黑
- 适用门板厚度: 1~3mm
- 备注: 锁片开孔□10 × 10
- Material: Zinc die-casting body, Zinc plating fixing parts
- Finish: Gray chrome plating, Black powder coated
- Panel thickness: 1~3mm
- Remark: cam cutout □10 × 10



型号 Product no.	特性说明 Characteristic description	产品单重(g) Weight	装箱数 Lot
MS6023Z-1-1	锌合金不带挂装置w/opadlock	505	40
MS6023Z-1-1G	锌合金带挂装置with padlock	514	40

按压旋转式平面锁 Press rotary plane lock



产品型号及特性 Product Number	产品单重(g) Weight	装箱数 Lot
带锁芯 With key	MS480-1-1	770
按钮型 Push button	MS480-1-2	780

MS480-1



- 材质: 锌合金锁体、镀锌压板、锁片
- 表面处理: 镀沙铬
- 适用门板厚度: 1~4mm
- 备注: 锁片开孔□10 × 10
- Material: Zinc die-casting body, Zinc plating fixing parts
- Finish: Gray chrome plating
- Panel thickness: 1~4mm
- Remark: cam cutout □10 × 10

MS480-2

按压旋转式平面锁 Press rotary plane lock

旋转式平面锁 Rotary plane lock

MS4008Z-1-1

RL



MS480-2-1



MS480-2-1Y



MS480-2B-1Y

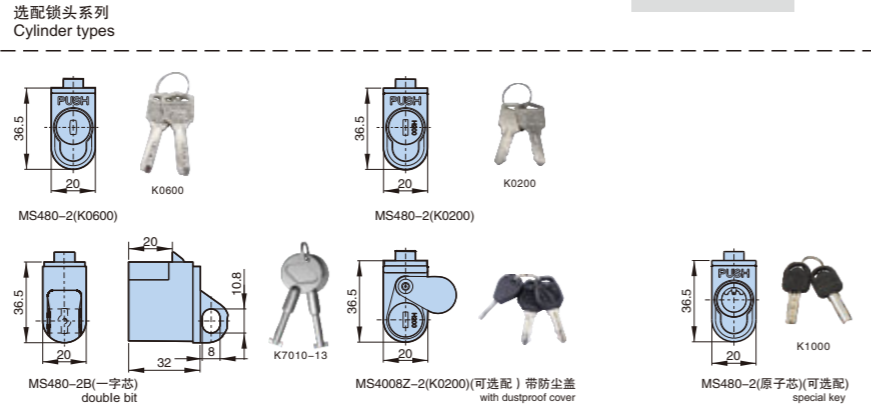
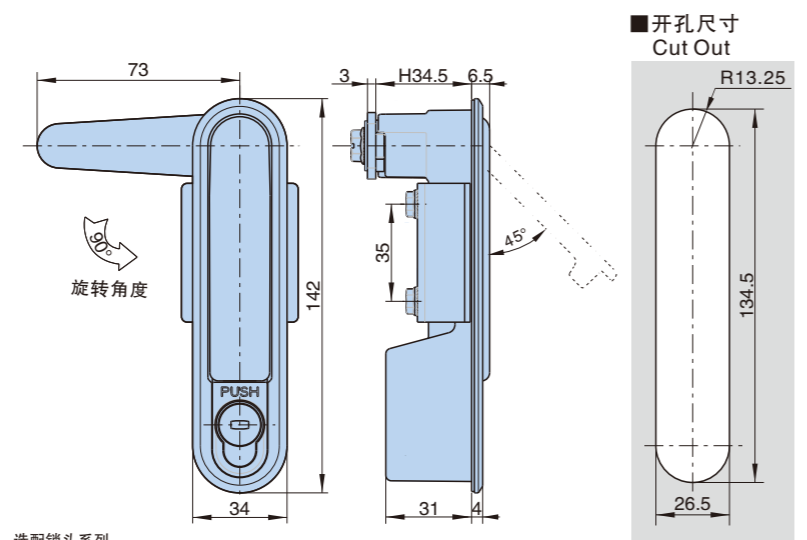
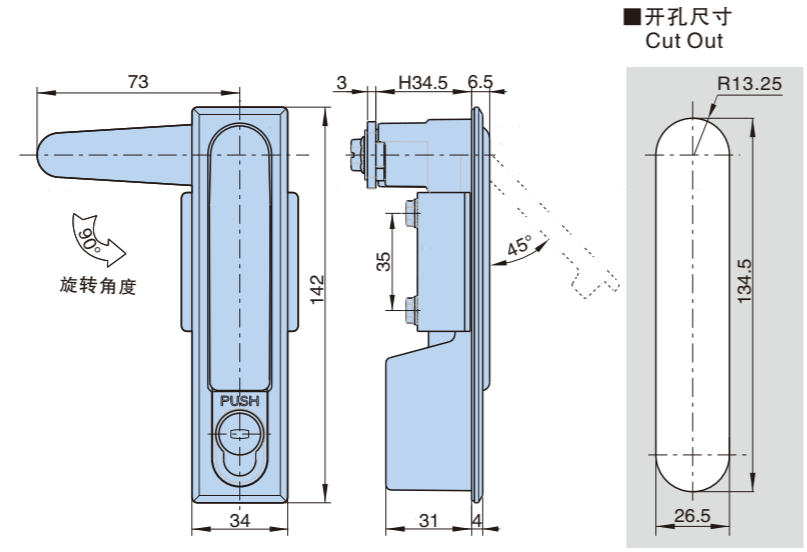


MS480-2B-1

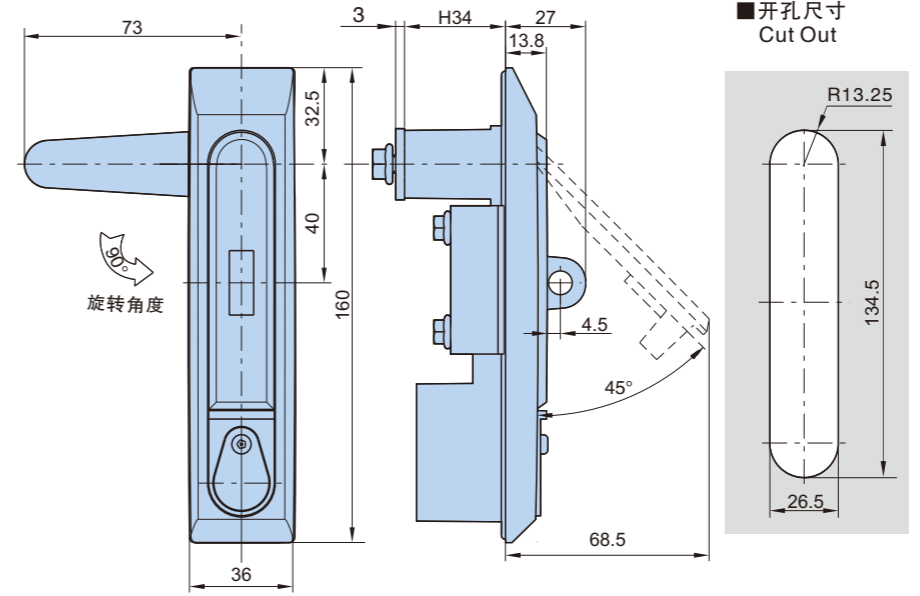


MS480-2C-1

- 材质: 锌合金锁壳、转轴, 镀锌压板、锁片
- 表面处理: 喷亚光黑
- 适用门板厚度: 1~5mm
- 备注: 锁片开孔 $\square 10 \times 10$,
- Material: Zinc die-casting body and shaft, Zinc plating cam
- Finish: Black powder coated
- Panel thickness: 1~5mm
- Remark: cam cutout $\square 10 \times 10$

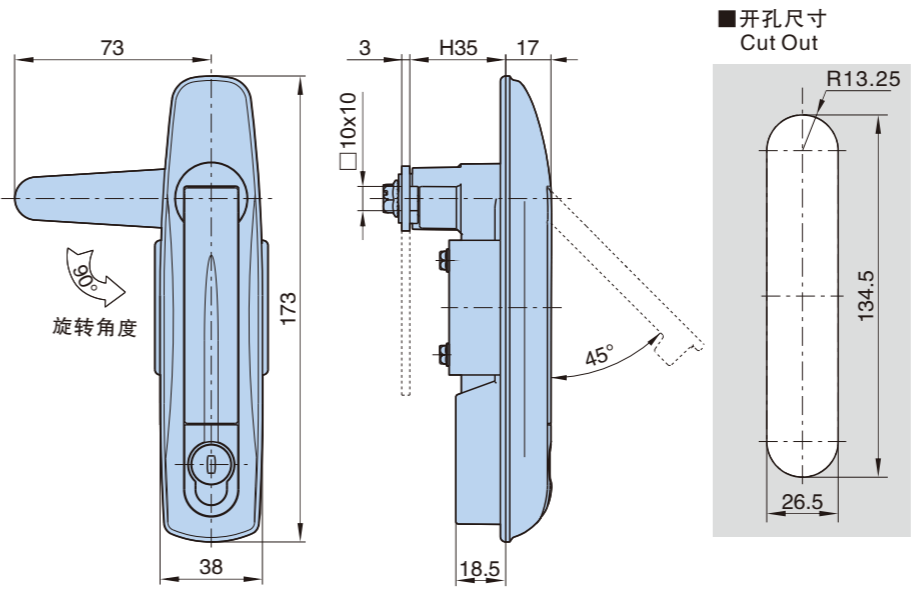


表面处理 Finsh	锁芯 Insert	产品型号及特性 Product Number											
		锌合金锁壳 Zinc die-casting housing				铝合金锁壳 Aluminium housing							
		方形锁壳 Square type	产品单重(g) Weight	装箱数 Lot	圆形锁壳 Round type	产品单重(g) Weight	装箱数 Lot	方形锁壳 Square type	产品单重(g) Weight	装箱数 Lot			
镀锌铬 Gray chrome plating	K0600	MS480-2-1.2	472	50	MS480-2-1Y.2	460	50						
	K0200	MS480-2-2.2	468	50	MS480-2-2Y.2	457	50						
	MS480-2B-1.2	600	50	MS480-2B-1Y.2	600	50							
	MS480-2C-1.2	600	50	MS480-2C-1Y.2	600	50							
喷亚光黑 Black powder coated	K0600	MS480-2-1	472	50	MS480-2-1Y	460	50			MS480-2A-1Y	348	50	
	K0200	MS480-2-2	468	50	MS480-2-2Y	457	50	MS480-2A-1	308	50	MS480-2A-2Y	358	50
	MS480-2B-1	600	50	MS480-2B-1Y	600	50	MS480-2A-2	310	50				
	MS480-2C-1	600	50	MS480-2C-1Y	600	50	MS480-2AC-1	310	50	MS480-2AC-1Y	358	50	



型号 Product no.	产品单重(g) Weight	装箱数 Lot
MS4008Z-1-1	420	200

按压旋转式平面锁 Press rotary plane lock



型号 Product no.	产品单重(g) Weight	装箱数 Lot
MS4090Z-1-1	453.3	50

RL IP64



- 材质: 铝合金锁壳, 锌合金锁背, 镀锌钢安装板, 锁片
- 表面处理: 喷无光黑
- 适用门板厚度: 1~5mm
- 备注: 锁片开孔 $\square 10 \times 10$
- Material: aluminum alloy lock housing, zinc alloy handle, galvanized steel mounting plate, the locking plate. and cam
- Finish :Black powder coated
- Panel thickness :1~5mm
- Remark: cam cutout $\square 10 \times 10$

MS4090Z-1-1

RL IP54 NEW



- 材质: 铝合金锁壳, 锌合金锁背, 镀锌钢安装板, 锁片
- 表面处理: 喷无光黑
- 适用门板厚度: 1~5mm
- 备注: 锁片开孔 $\square 10 \times 10$
- Material: aluminum alloy lock housing, zinc alloy handle, galvanized steel mounting plate, the locking plate. and cam
- Finish :Black powder coated
- Panel thickness :1~5mm
- Remark: cam cutout $\square 10 \times 10$

A拉手系列 Handles series

B平面锁系列 Plane lock series

C连杆锁系列 Rod control series

D面板锁系列 Plane lock series

E执手锁系列 Handle lock series

F转舌锁系列 Cam lock series

G铰链系列 Hinge series

H搭扣锁系列 Toggle lock series

I门销系列 Door bolt series

J电子锁系列 Electronic lock series

K密封条系列 Gasketing series

L限位系列 Door stop series

M附件系列 Accessories series

N不锈钢件系列 Stainless steel series

索引 Index

A拉手系列 Handles series

B平面锁系列 Plane lock series

C连杆锁系列 Rod control series

D面板锁系列 Plane lock series

E执手锁系列 Handle lock series

F转舌锁系列 Cam lock series

G铰链系列 Hinge series

H搭扣锁系列 Toggle lock series

I门销系列 Door bolt series

J电子锁系列 Electronic lock series

K密封条系列 Gasketing series

L限位系列 Door stop series

M附件系列 Accessories series

N不锈钢件系列 Stainless steel series

索引 Index

AB201



AB201-1-1



客户定制产品 customized product

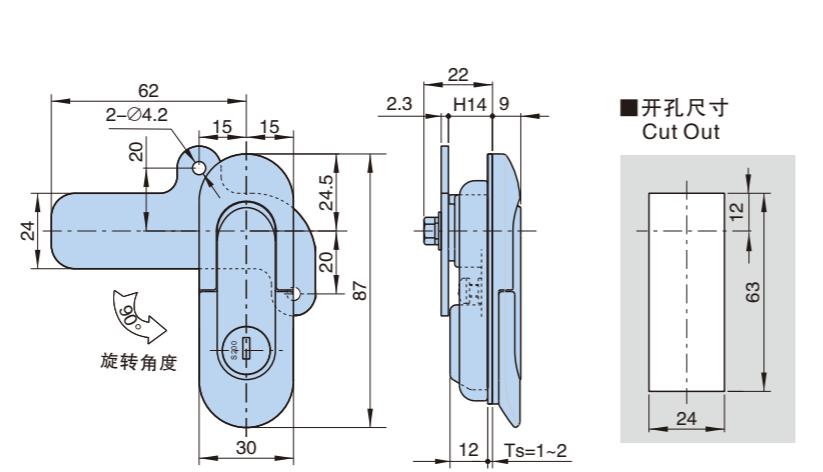
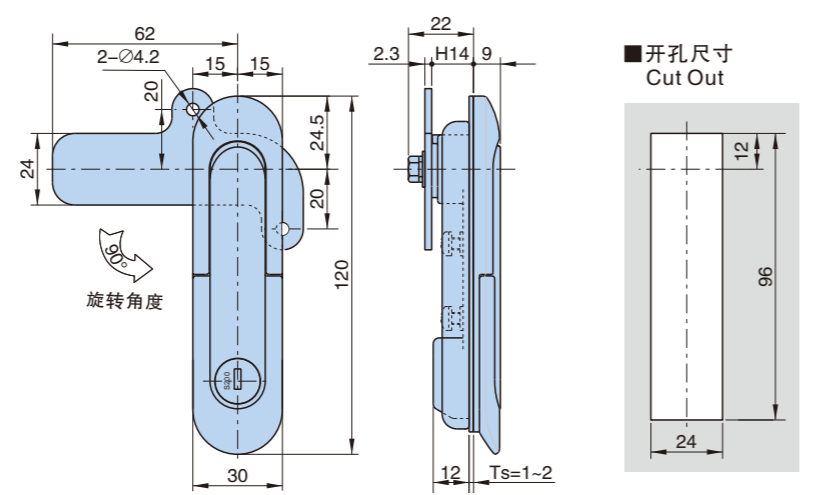
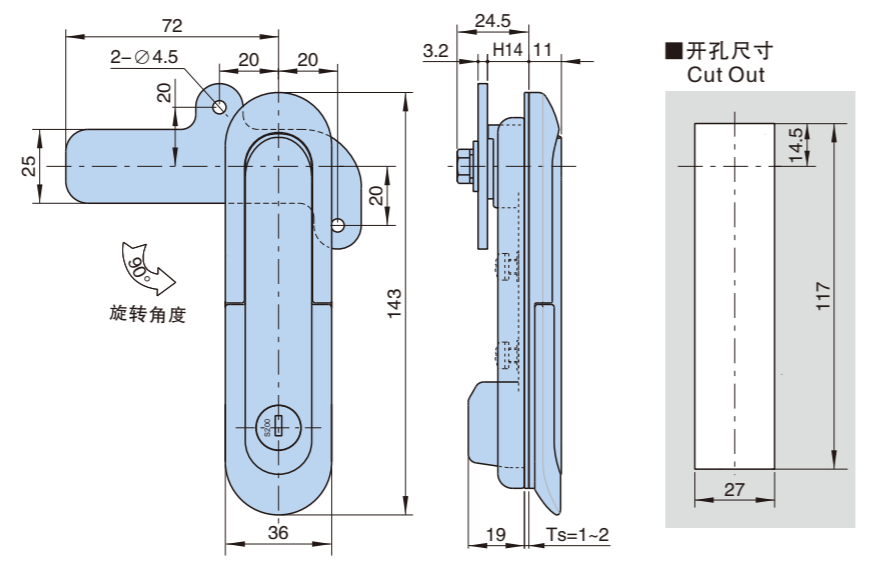
AB201-2-1



AB201-3-1

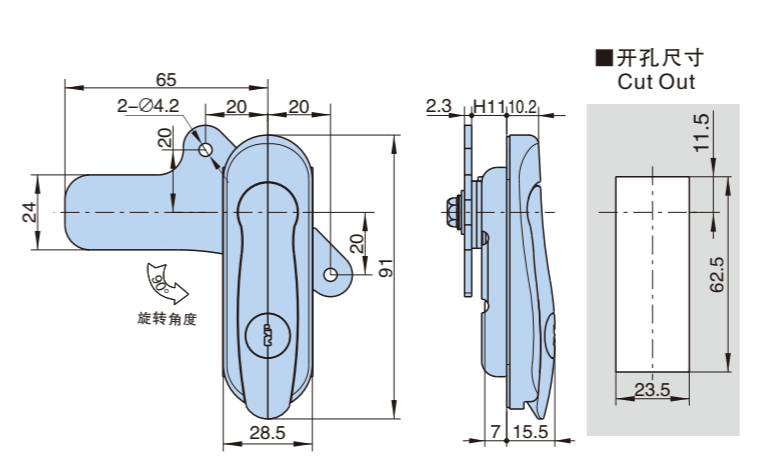
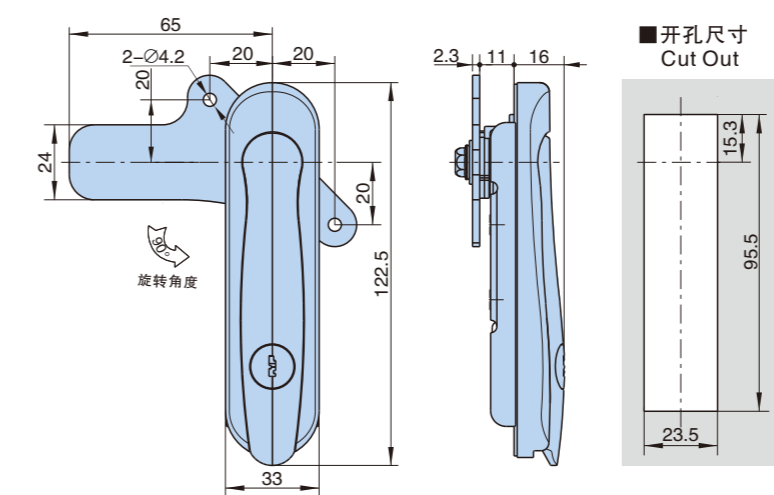
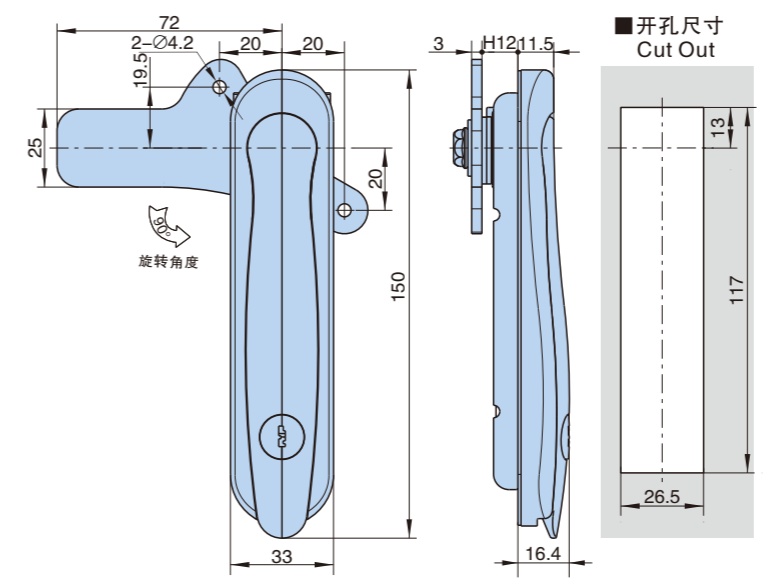
- 材质: 锌合金锁体, 镀锌压板、锁片;
- 表面处理: 镀沙铬
- 适用门板厚度: 1~2mm
- 备注: AB201-1锁片开孔□10×10 其余型号锁片开孔□8×8
- Material: Zinc die-casting body, Zinc plating cam, fixing parts
- Finish: Gray chrome plating
- Panel thickness: 1~2mm
- Remark: AB201-1 cam cutout □10×10 the other item No of cam cutout □8×8

旋转式平面锁 Rotary plane lock



产品型号及特性 Product Number	产品单重(g) Weight	装箱数 Lot	产品型号及特性 Product Number	产品单重(g) Weight	装箱数 Lot
AB201-1-1 有锁芯 with key	452	36	AB201-1-2 无锁芯 w/o key	452	36
AB201-2-1	268	36	AB201-2-2	268	36
AB201-3-1	235	72	AB201-3-2	235	72

旋转式平面锁 Rotary plane lock



产品型号及特性 Product Number						
	有锁芯 With key	产品单重(g) Weight	装箱数 Lot	无锁芯 w/o key	产品单重(g) Weight	装箱数 Lot
镀沙铬 Gray chrome plating	AB402-1-1.2	304	50	AB402-1-2.2	298	50
	AB402-2-1.2	256	100	AB402-2-2.2	216	100
	AB402-3-1.2	157	100	AB402-3-2.2	150	100

AB402



AB402-1-1 AB402-1-2



AB402-2-1 AB402-2-2



AB402-3-1 AB402-3-2

- 材质: 锌合金锁壳、转轴, 镀锌锁片、压板
- 适用门板厚度: 1~3mm
- 备注: AB402-1锁片开孔□10×10 其余型号锁片开孔□8×8
- Material: Zinc die-casting body and shaft, Zinc plating cam, fixing parts
- Panel thickness: 1~3mm
- Remark: AB402-1 cam cutout □10×10 the other item No of cam cutout □8×8

A拉手系列 Handles series

B平面锁系列 Plane lock series

C连杆锁系列 Rod control series

D面板锁系列 Plane lock series

E执手锁系列 Handle lock series

F转舌锁系列 Cam lock series

G铰链系列 Hinge series

H搭扣锁系列 Toggle lock series

I门销系列 Door bolt series

J电子锁系列 Electronic lock series

K密封条系列 Gasketing series

L限位系列 Door stop series

M附件系列 Accessories series

N不锈钢件系列 Stainless steel series

索引 Index

A拉手系列 Handles series

B平面锁系列 Plane lock series

C连杆锁系列 Rod control series

D面板锁系列 Plane lock series

E执手锁系列 Handle lock series

F转舌锁系列 Cam lock series

G铰链系列 Hinge series

H搭扣锁系列 Toggle lock series

I门销系列 Door bolt series

J电子锁系列 Electronic lock series

K密封条系列 Gasketing series

L限位系列 Door stop series

M附件系列 Accessories series

N不锈钢件系列 Stainless steel series

索引 Index

AB2016

旋转式平面锁 Rotary plane lock

旋转式平面锁 Rotary plane lock

AB202



AB2016Z-1-1

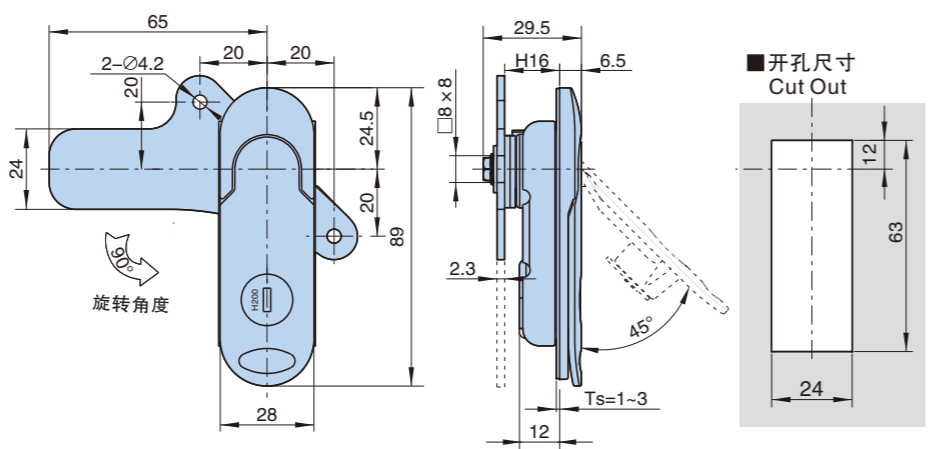
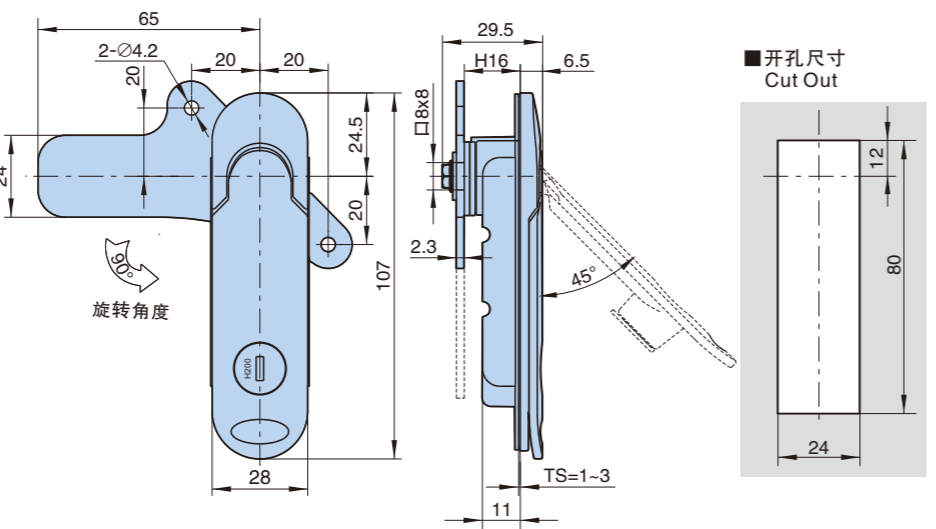
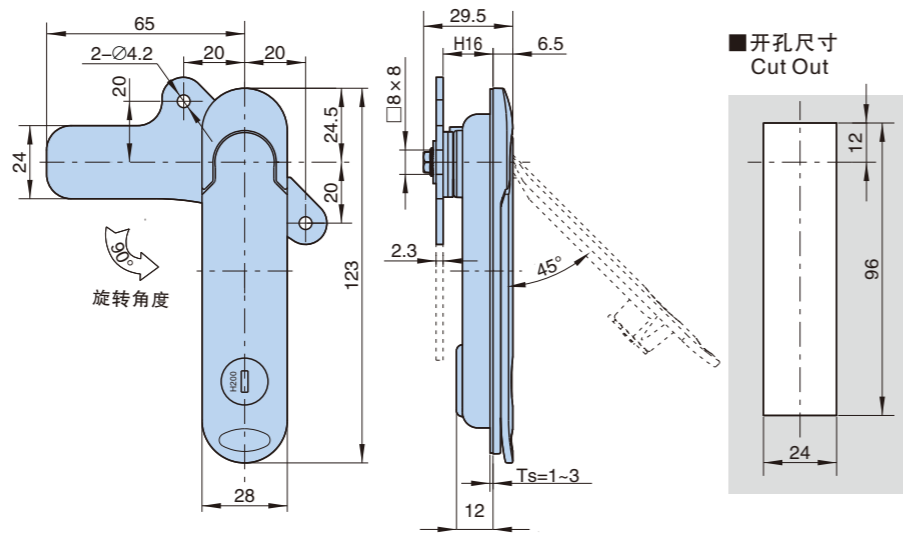


AB2016Z-2-1

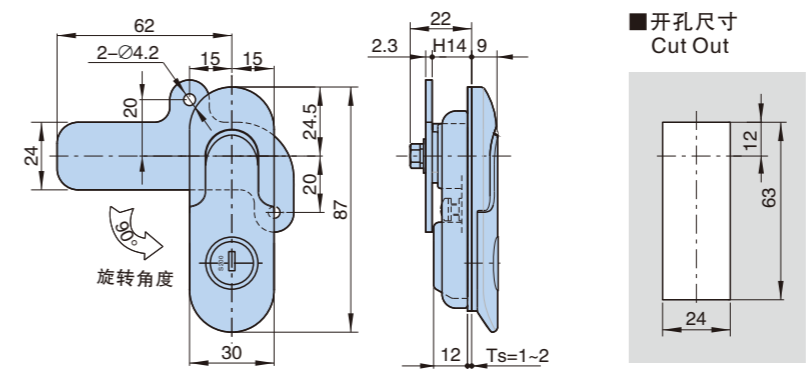
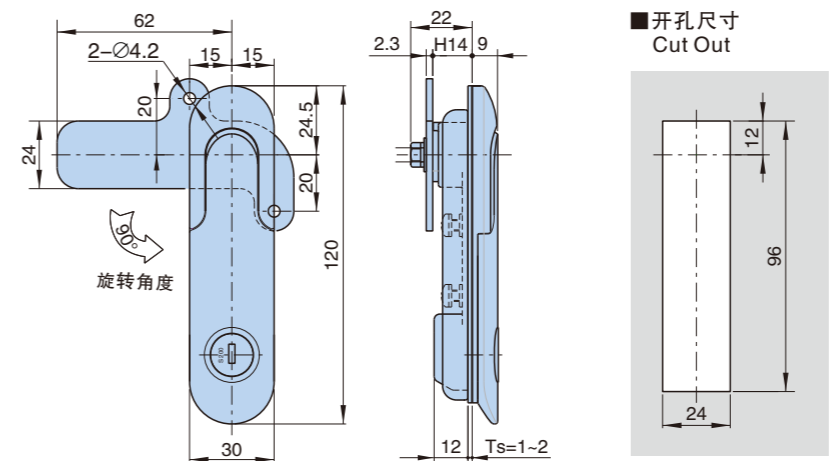
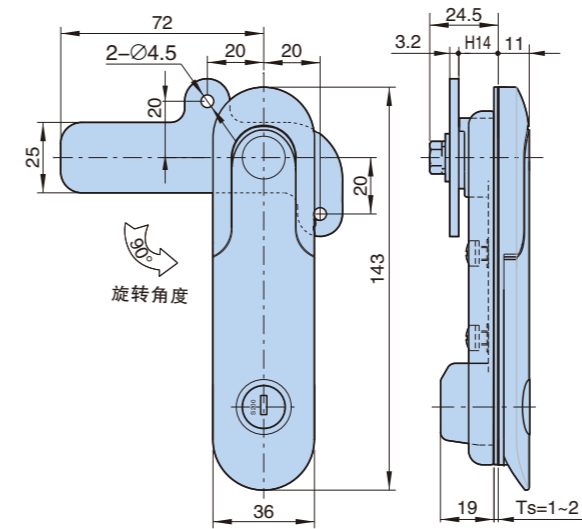


AB2016Z-3-1

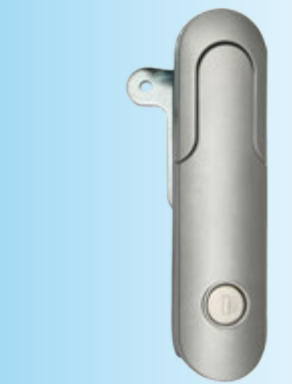
- 材质: 锌合金锁壳, 锁背, A3锁片, 安装板.
- 表面处理: 镀沙铬.
- 结构功能: 手柄向上打开, 带动锁片90° 旋转实现开启.
- 适用门板厚度: 1~3mm.
- 备注: 锁片开孔口8x8.
- Material: zinc alloy for the housing, lock back, A3 cam assemble ing plate .
- Finish: gray chrome plating.
- Fuction: the cam turns 90° to unlock when open the handle up.
- Panel thickness: 1~3mm.
- Remark: 口8x8 cut out



产品型号及特性 Product Number	产品单重(g) Weight	装箱数 Lot
有锁芯 with key AB2016Z-1-1	265.5	100
AB2016Z-2-1	230.3	100
无锁芯 w/o key AB2016Z-2-2	217	100
有锁芯 with key AB2016Z-3-1	210	100



产品型号 Product number	产品单重(g) Weight	装箱数 Lot
AB202-1-1	468	36
AB202-2-1	290	36
AB202-3-1	235	72



AB202-1-1



AB202-2-1



AB202-3-1

- 材质: 锌合金锁体, 镀锌压板、锁片
- 表面处理: 镀沙铬
- 适用门板厚度: 1~2mm
- 备注: AB202-1锁片开孔口10x10 其余型号 锁片开孔口8x8
- Material: Zinc die-casting body Zinc plating cam, fixing parts
- Finish: Gray chrome plating
- Panel thickness: 1~2mm
- Remark: AB202-1 cam cutout 10x10 the other item No of cam cutout 8x8

A拉手系列 Handles series

B平面锁系列 Plane lock series

C连杆锁系列 Rod control series

D面板锁系列 Plane lock series

E执手锁系列 Handle lock series

F转舌锁系列 Cam lock series

G铰链系列 Hinge series

H搭扣锁系列 Toggle lock series

I门销系列 Door bolt series

J电子锁系列 Electronic lock series

K密封条系列 Gasketing series

L限位系列 Door stop series

M附件系列 Accessories series

N不锈钢件系列 Stainless steel series

索引 Index

A拉手系列 Handles series

B平面锁系列 Plane lock series

C连杆锁系列 Rod control series

D面板锁系列 Plane lock series

E执手锁系列 Handle lock series

F转舌锁系列 Cam lock series

G铰链系列 Hinge series

H搭扣锁系列 Toggle lock series

I门销系列 Door bolt series

J电子锁系列 Electronic lock series

K密封条系列 Gasketing series

L限位系列 Door stop series

M附件系列 Accessories series

N不锈钢件系列 Stainless steel series

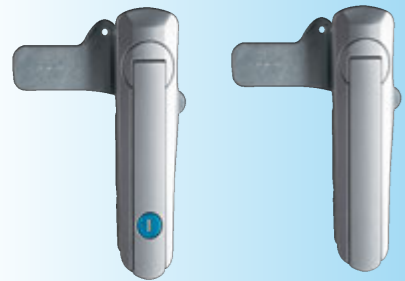
索引 Index

AB401

旋转式平面锁 Rotary plane lock

旋转式平面锁 Rotary plane lock

AB5011



AB401-1-1 AB401-1-2

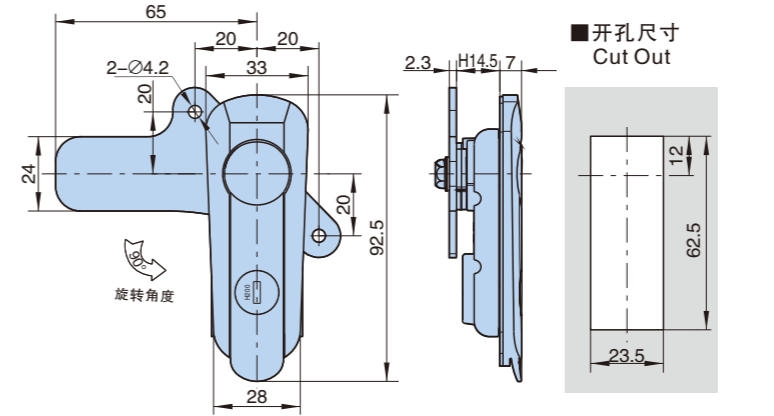
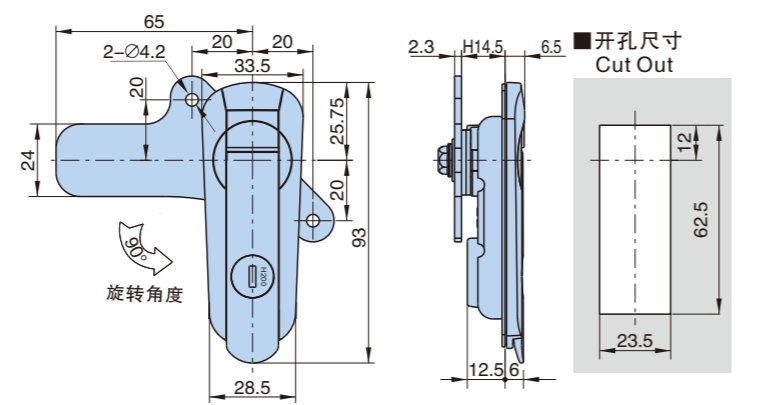
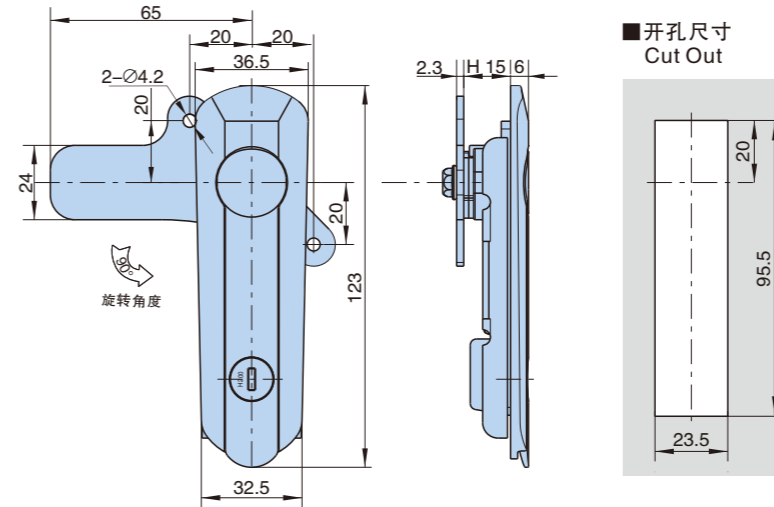
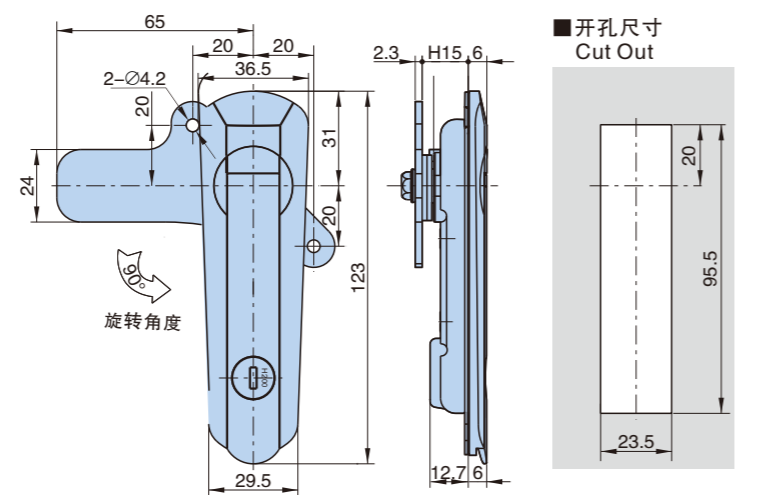
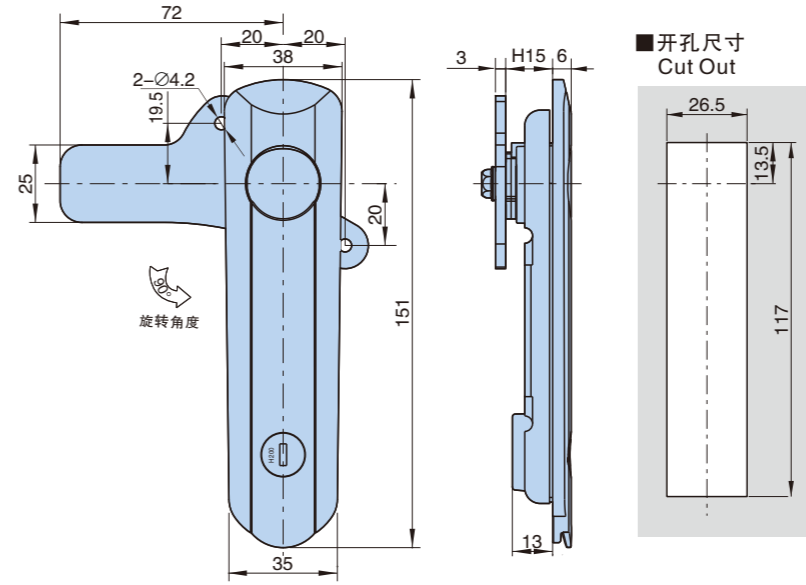
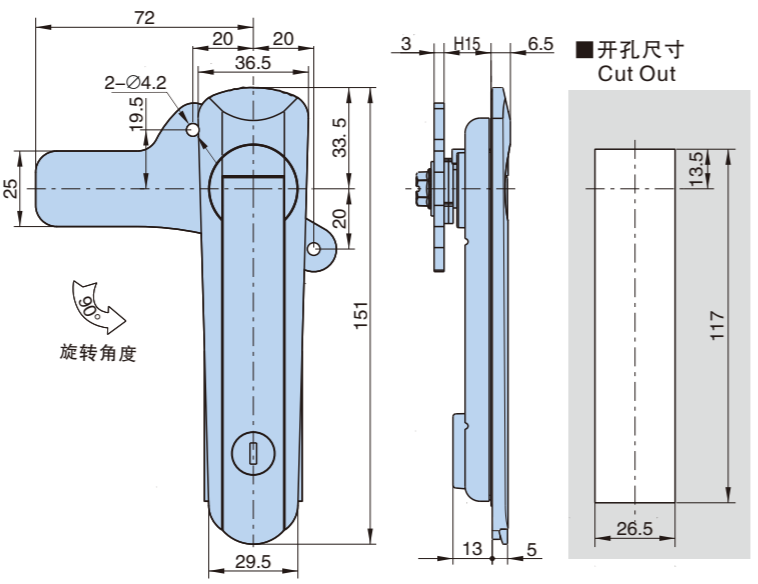


AB401-2-1 AB401-2-2



AB401-3-1 AB401-3-2

- 材质: 锌合金锁体、转轴, 镀锌锁片、压板
- 适用门板厚度: 1~3mm
- 备注: AB401-1锁片开孔□10×10 其余型号锁片开孔□8×8
- Material: Zinc die-casting body and shaft, Zinc plating cam, fixing parts
- Panel thickness: 1~3mm
- Remark: AB401-1 cam cutout □10×10 the other item No of cam cutout □8×8



产品型号及特性 Product Number						
	有锁芯 With key	产品单重(g) Weight	装箱数 Lot	无锁芯 w/o key	产品单重(g) Weight	装箱数 Lot
镀沙铬 Gray chrome plating	AB401-1-1.2	340	50	AB401-1-2.2	328	50
	AB401-2-1.2	275	100	AB401-2-2.2	253	100
	AB401-3-1.2	205	100	AB401-3-2.2	193	100

型号 Product no.	产品单重(g) Weight	装箱数 Lot
AB5011Z-1-1	328	50
AB5012Z-1-1	260	100
AB5013Z-1-1	202	100



AB5011Z-1-1



AB5012Z-1-1



AB5013Z-1-1

- 材质: 锌合金锁体、转轴, 镀锌锁片、压板;
- 表面处理: 镀沙铬
- 适用门板厚度: 1~3mm
- 备注: AB5011Z-1-1锁片开孔□10×10 其余型号锁片开孔□8×8
- Material: Zinc die-casting body and shaft, Zinc plating cam, fixing parts
- Panel thickness: 1~3mm
- Remark: AB5011Z-1-1 cam cutout □10×10 the other item No of cam cutout □8×8

MS607

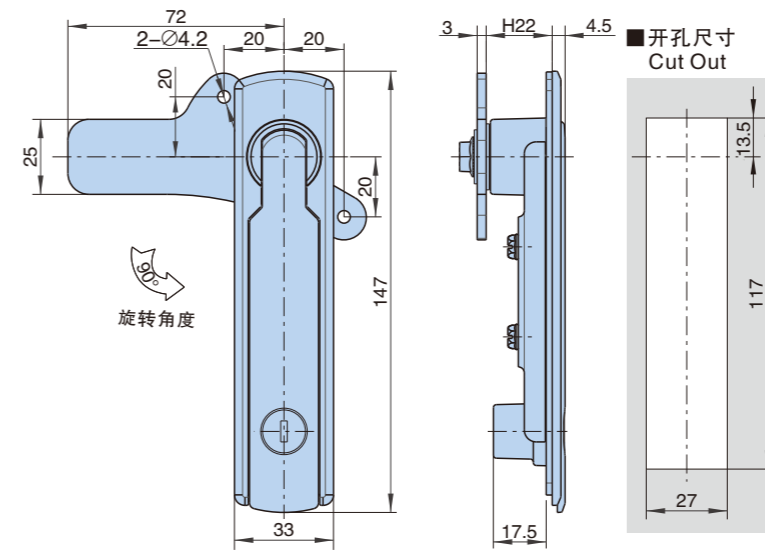
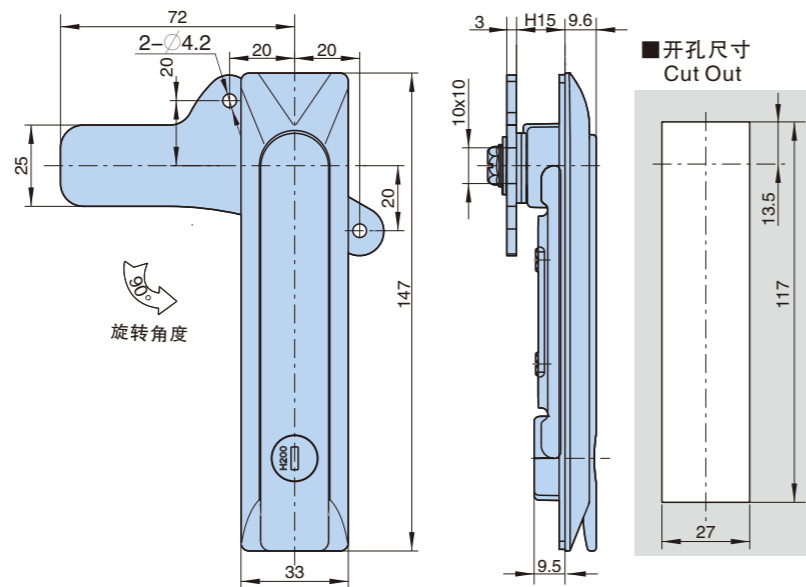
旋转式平面锁 Rotary plane lock

旋转式平面锁 Rotary plane lock

MS751



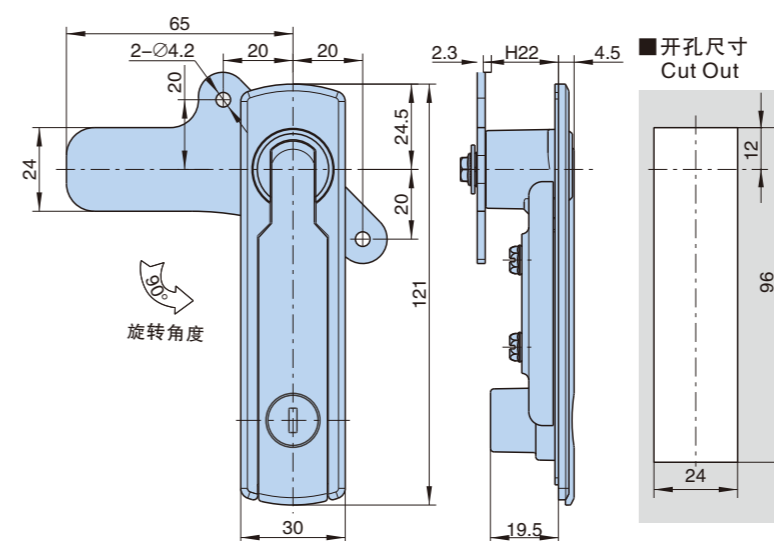
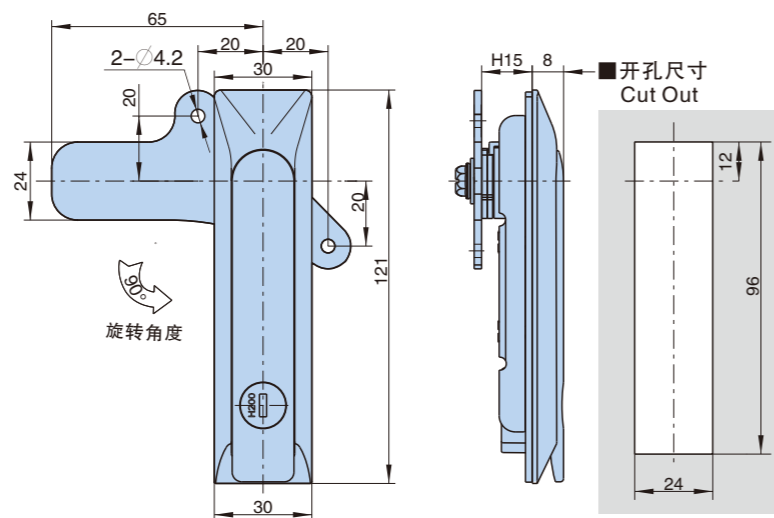
MS607-1-1



MS751-1-1



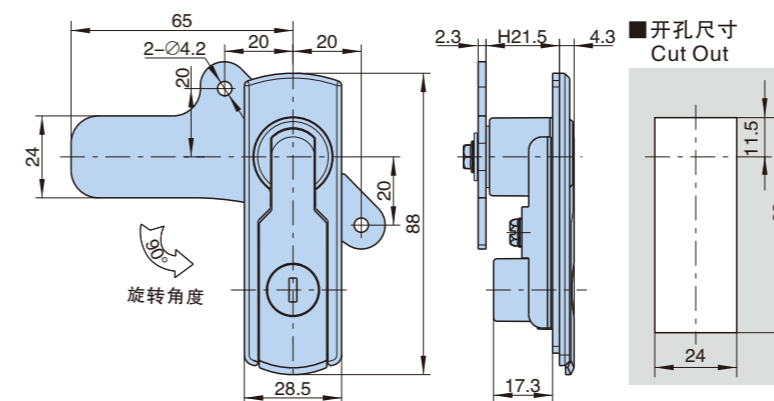
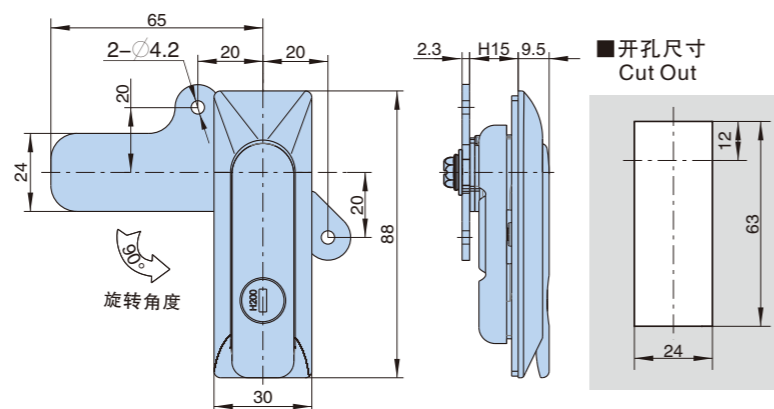
MS607-2-1



MS751-2-1



MS607-3-1



MS751-3-1

- 材质: 锌合金锁体、镀锌压板、锁片
- 表面处理: 镀沙铬, 喷无光黑
- 适用门板厚度: 1~3mm
- 备注: MS607-1 锁片开孔 $\square 10 \times 10$ 其余型号锁片开孔 $\square 8 \times 8$
- Material: Zinc die-casting body, Zinc plating cam, fixing parts
- Finish: Gray chrome plating, Black powder coated
- Panel thickness: 1~3mm
- Remark: MS607-1 cam cutout $\square 10 \times 10$ the other item No of cam cutout $\square 8 \times 8$

- 材质: 锌合金锁体、转轴, 镀锌压板、锁片
- 表面处理: 镀沙铬, 无光黑
- 适用门板厚度: 1~3mm
- 备注: 锁片开孔 $\square 8 \times 8$
- Material: Zinc die-casting body and shaft, Zinc plating cam, fixing parts
- Finish: Gray chrome plating, Black powder coated
- Panel thickness: 1~3mm
- Remark: cam cutout $\square 8 \times 8$

产品型号 Product Number	产品单重(g) Weight	装箱数 Lot
MS607-1-1	286	50
MS607-2-1	230.5	100
MS607-3-1	168.5	100

型号 Product no.	产品单重(g) Weight	装箱数 Lot
MS751-1-1	251	50
MS751-2-1	203	50
MS751-3-1	154	50

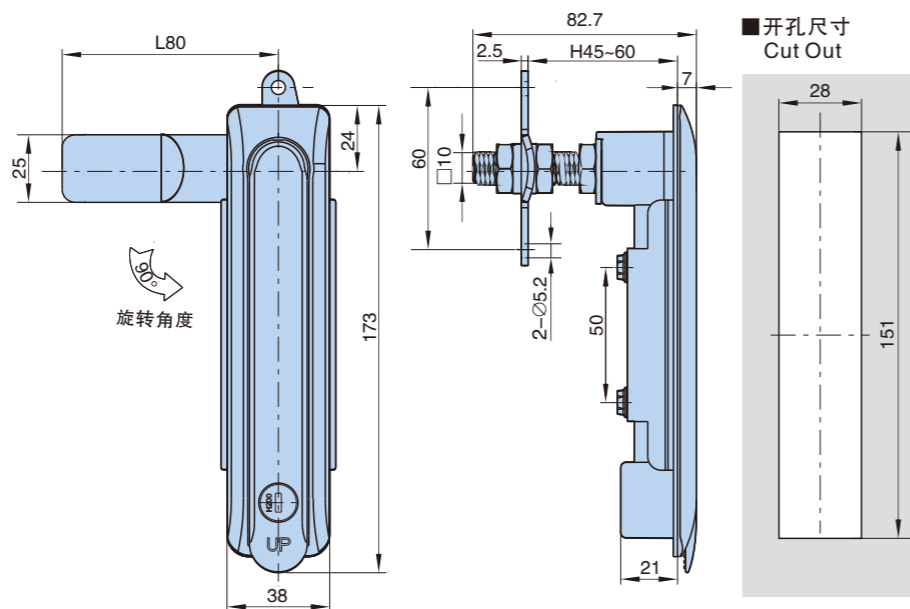
MS6015Z-1-3

旋转式平面锁 Rotary plane lock



K0200

- 材质: 锌合金锁体, A3锁片、安装板
- 表面处理: 喷乳白色锁壳、喷无光黑锁背、
- 镀蓝白锌锁片、安装板
- 适用门板厚度: 1~3mm
- 结构说明: 快速开启, 安装方便快捷; 调节螺母可适用各种止口范围
- Material: Zinc die-casting body A3 cam assemble ing plate
- Finish: Spray milky white honsing Black powder coated handle Blue-white zinc plating cam assemble ing plate.
- panel thickness: 1~3mm
- Structure: Quick turn, convenient and efficient assemblereach differet rabbet range by adjust nut



型号 Product no.	产品单重(g) Weight	装箱数 Lot
MS6015Z-1-3	632	50

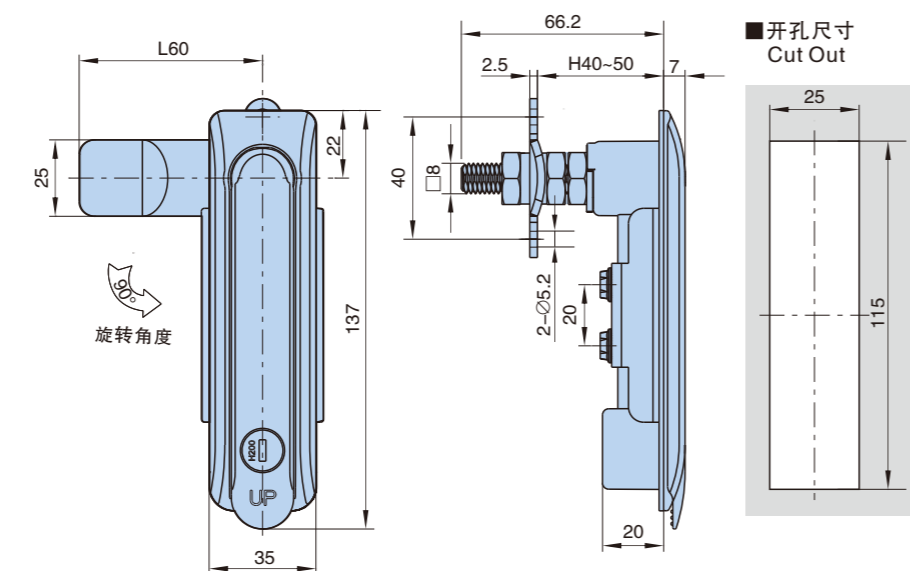
MS6016Z-1-3

旋转式平面锁 Rotary plane lock



K0200

- 材质: 锌合金锁体, A3锁片、安装板
- 表面处理: 喷乳白色锁壳、喷无光黑锁背、
- 镀蓝白锌锁片、安装板
- 适用门板厚度: 1~3mm
- 结构说明: 快速开启, 安装方便快捷; 调节螺母可适用各种止口范围
- Material: Zinc die-casting body A3 cam assemble ing plate
- Finish: Spray milky white honsing Black powder coated handle Blue-white zinc plating cam assemble ing plate.
- panel thickness: 1~3mm
- Structure: Quick turn, convenient and efficient assemblereach differet rabbet range by adjust nut



型号 Product no.	产品单重(g) Weight	装箱数 Lot
MS6016Z-1-3	419	50

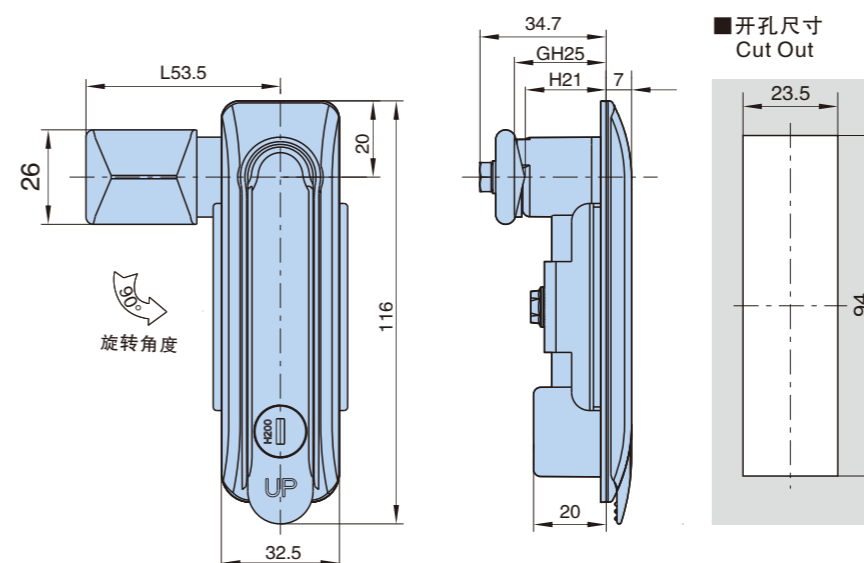
旋转式平面锁 Rotary plane lock

MS6017Z-1-1



K0200

- 材质: 锌合金锁体, A3锁片、安装板
- 表面处理: 喷乳白色锁壳、喷无光黑锁背、
- 镀蓝白锌锁片、安装板
- 适用门板厚度: 1~3mm
- 结构说明: 快速开启, 安装方便快捷; 调节螺母可适用各种止口范围
- Material: Zinc die-casting body A3 cam assemble ing plate
- Finish: Spray milky white honsing Black powder coated handle Blue-white zinc plating cam assemble ing plate.
- panel thickness: 1~3mm
- Structure: Quick turn, convenient and efficient assemblereach differet rabbet range by adjust nut



型号 Product no.	产品单重(g) Weight	装箱数 Lot
MS6017Z-1-1	302	100

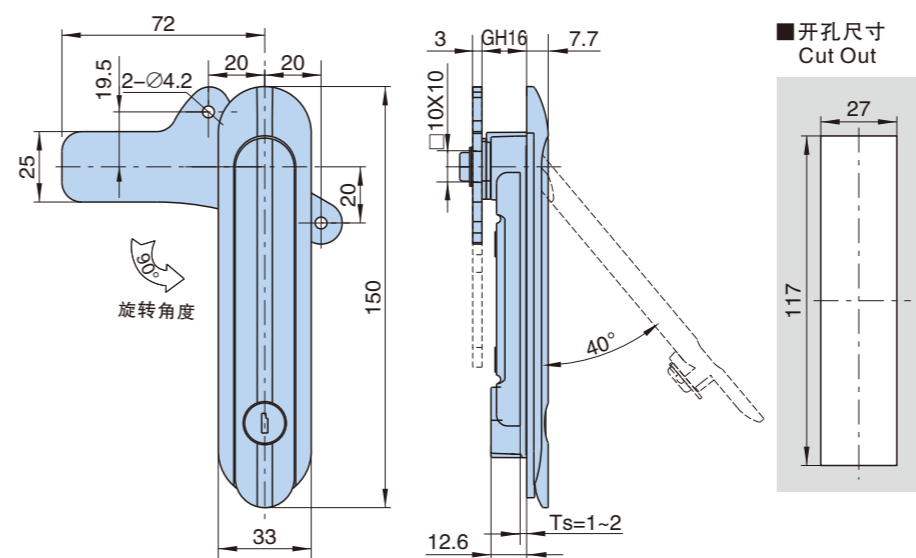
旋转式平面锁 Rotary plane lock

MS6019



MS6019Z-1-1

- 材质: 锌合金锁体, 碳钢锁片、安装板
- 表面处理: 镀沙铬
- 结构功能: 手柄向上打开, 带动锁片90° 旋转实现开启。
- 适用门板厚度: 1~3mm
- 备注: 锁片开孔口10X10
- Material: Zinc die-casting body steel cam assemble ing plate
- Finish: gray chrome plating.
- Fuction: the cam turns 90° to unlock when open the handle up.
- Panel thickness: 1~3mm.
- Remark: 口10X10 cut out



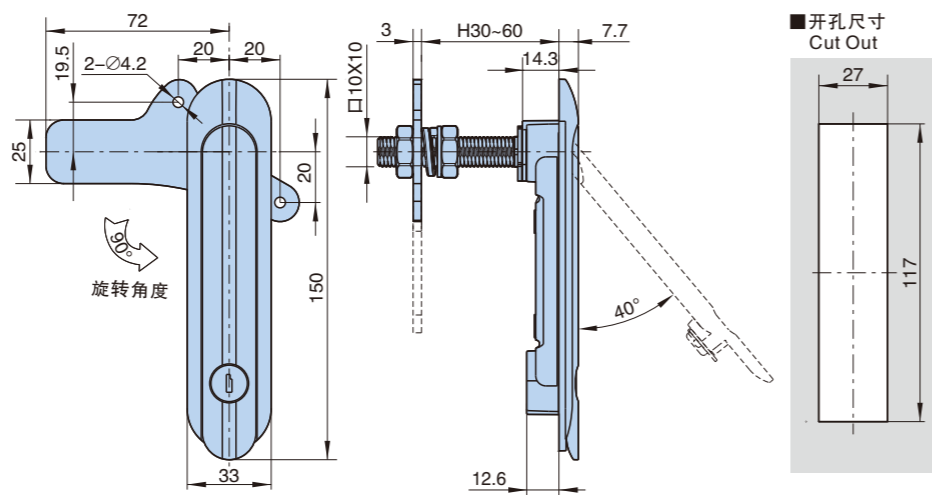
型号 Product no.	特性说明 Characteristic description	产品单重(g) Weight	装箱数 Lot
MS6019Z-1-1	不带挂装置w/opadlock	310	50
MS6019Z-1-1G	带挂装置with padlock	321.6	50

MS6019

旋转式平面锁 Rotary plane lock

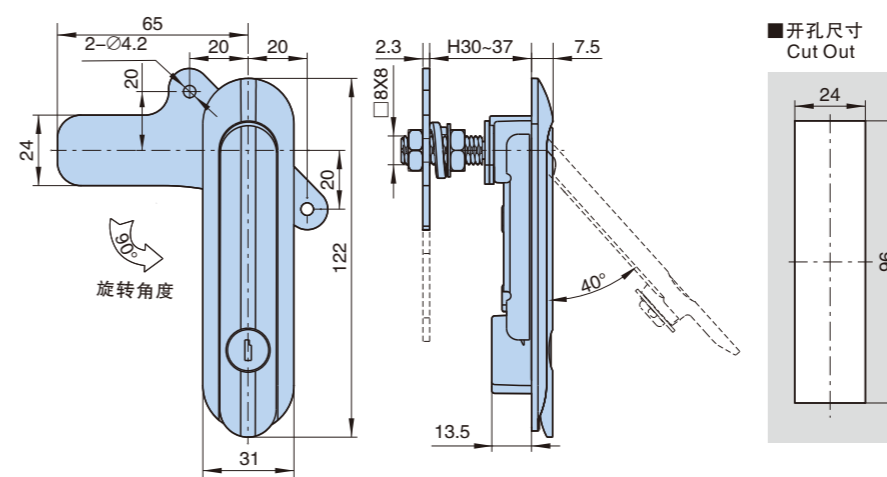


- 材质: 锌合金锁体, 碳钢锁片、安装板
- 表面处理: 镀沙铬
- 结构功能: 手柄向上打开, 带动锁片90°旋转实现开启。
- 适用门板厚度: 1~3mm
- 备注: 锁片开口10X10
- Material: Zinc die-casting body steel cam assemble ing plate
- Finish: gray chrome plating.
- Fuction: the cam turns 90° to unlock when open the handle up.
- Panel thickness: 1~3mm.
- Remark: 10X10 cut out



型号 Product no.	特性说明 Characteristic description	产品单重(g) Weight	装箱数 Lot
MS6019Z-1A-1	不带挂装置w/opadlock	373	50
MS6019Z-1A-1G	带挂装置with padlock	384.6	50

旋转式平面锁 Rotary plane lock



型号 Product no.	特性说明 Characteristic description	产品单重(g) Weight	装箱数 Lot
MS6020Z-1A-1	不带挂装置w/opadlock	275.5	100
MS6020Z-1A-1G	带挂装置with padlock	285	100

MS6020



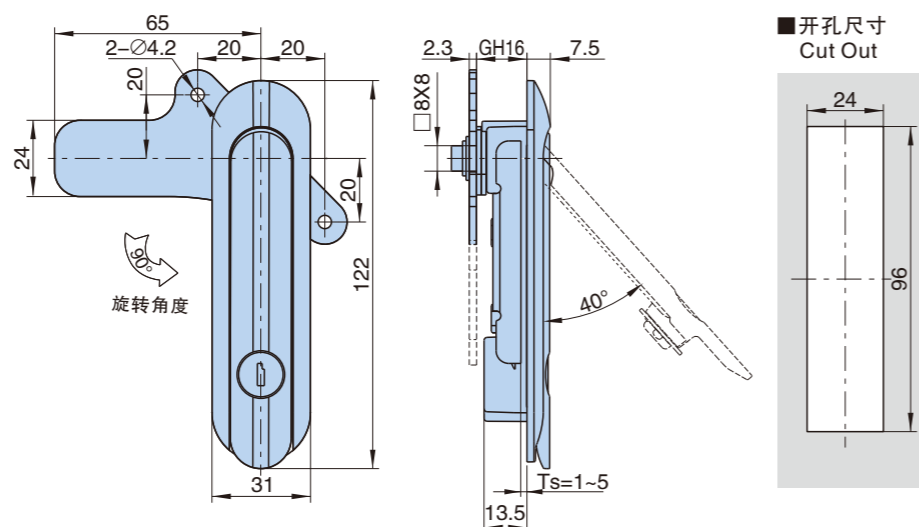
- 材质: 锌合金锁体, 碳钢锁片、安装板
- 表面处理: 镀沙铬
- 结构功能: 手柄向上打开, 带动锁片90°旋转实现开启。
- 适用门板厚度: 1~3mm
- 备注: 锁片开口8X8
- Material: Zinc die-casting body steel cam assemble ing plate
- Finish: gray chrome plating.
- Fuction: the cam turns 90° to unlock when open the handle up.
- Panel thickness: 1~3mm.
- Remark: 8X8 cut out

MS6020

旋转式平面锁 Rotary plane lock

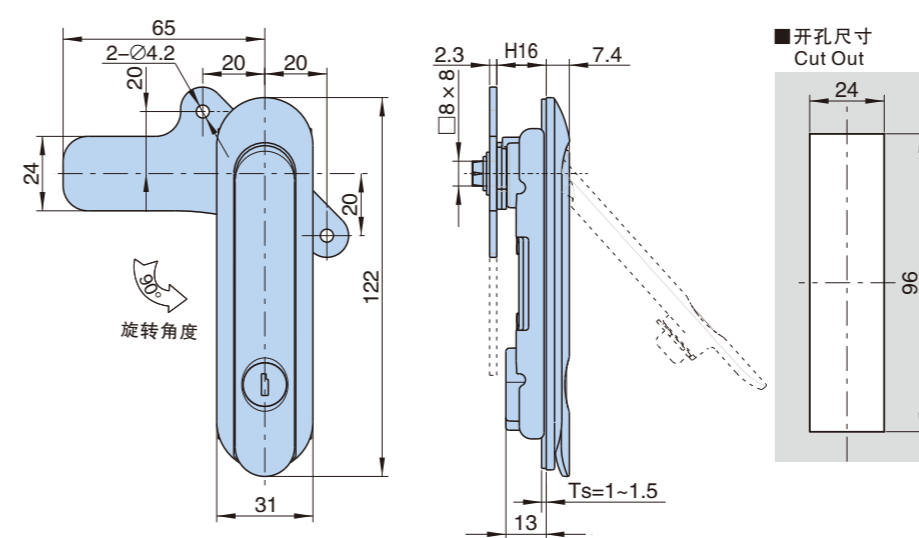


- 材质: 锌合金锁体, 碳钢锁片、安装板
- 表面处理: 镀沙铬
- 结构功能: 手柄向上打开, 带动锁片90°旋转实现开启。
- 适用门板厚度: 1~3mm
- 备注: 锁片开口8X8
- Material: Zinc die-casting body steel cam assemble ing plate
- Finish: gray chrome plating.
- Fuction: the cam turns 90° to unlock when open the handle up.
- Panel thickness: 1~3mm.
- Remark: 8X8 cut out



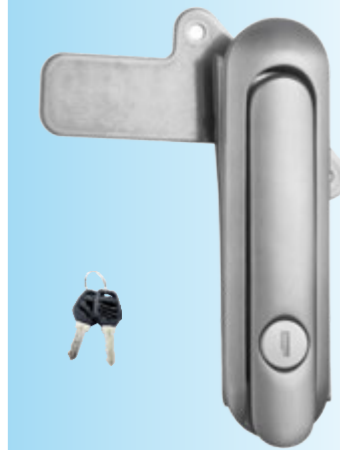
型号 Product no.	特性说明 Characteristic description	产品单重(g) Weight	装箱数 Lot
MS6020Z-1-1	不带挂装置w/opadlock	245	50
MS6020Z-1-1G	带挂装置with padlock	254.6	50

旋转式平面锁 Rotary plane lock



型号 Product no.	产品单重(g) Weight	装箱数 Lot
MS6020S-1-1	287	100

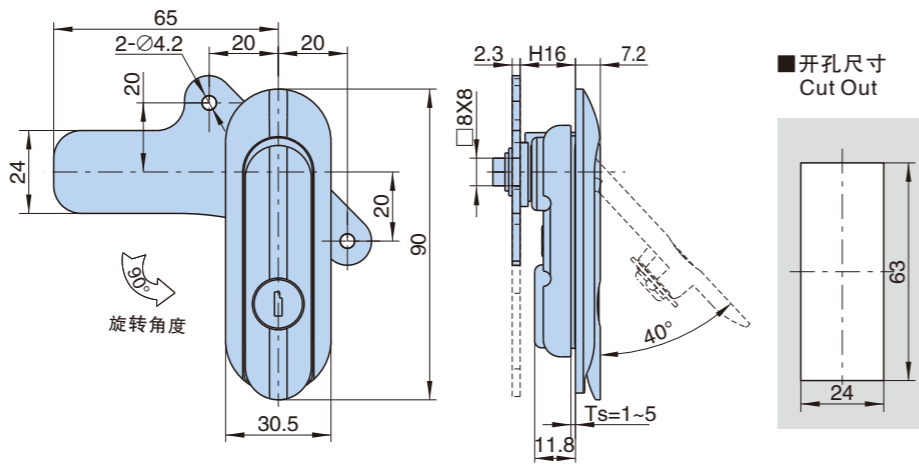
MS6020S



- 材质: 全不锈钢
- 表面处理: 镜面抛光或拉丝
- 结构功能: 手柄向上打开, 带动锁片90°旋转实现开启或锁闭
- 适用门板厚度: 1~3mm
- 备注: 锁片开口8X8
- Material: Stainless steel
- Finish: Mirro polishing/Brushed
- Panel thickness: 1~3mm
- Remark: Cam Cutout 8x8

MS6021

旋转式平面锁 Rotary plane lock

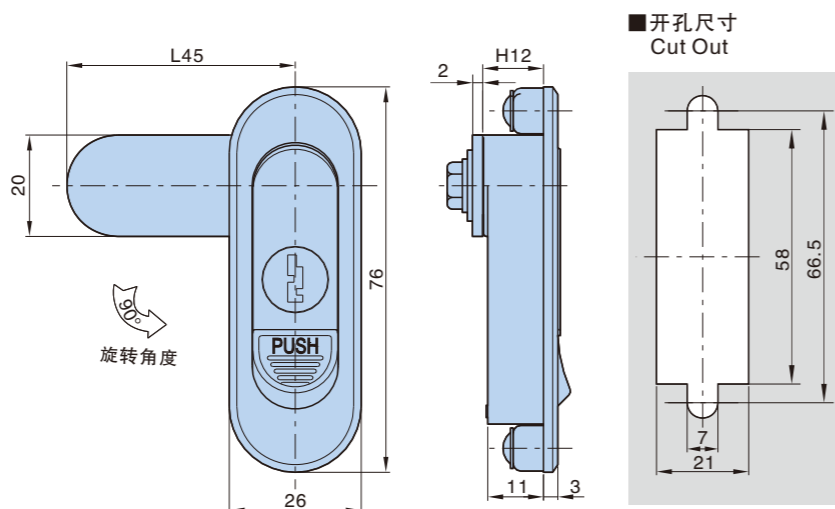


- 材质: 锌合金锁体, 碳钢锁片、安装板
- 表面处理: 镀沙铬
- 结构功能: 手柄向上打开, 带动锁片90°
- 旋转实现开启。
- 适用门板厚度: 1~3mm
- 备注: 锁片开孔□8X8
- Material: Zinc die-casting body steel cam assemble ing plate
- Finish: gray chrome plating.
- Fuction: the cam turns 90° to unlock when open the handle up.
- Panel thickness: 1~3mm.
- Remark: □8X8 cut out

型号 Product no.	产品单重(g) Weight	装箱数 Lot
MS6021Z-1-1	186.5	100

MS511

旋转式平面锁 Rotary plane lock



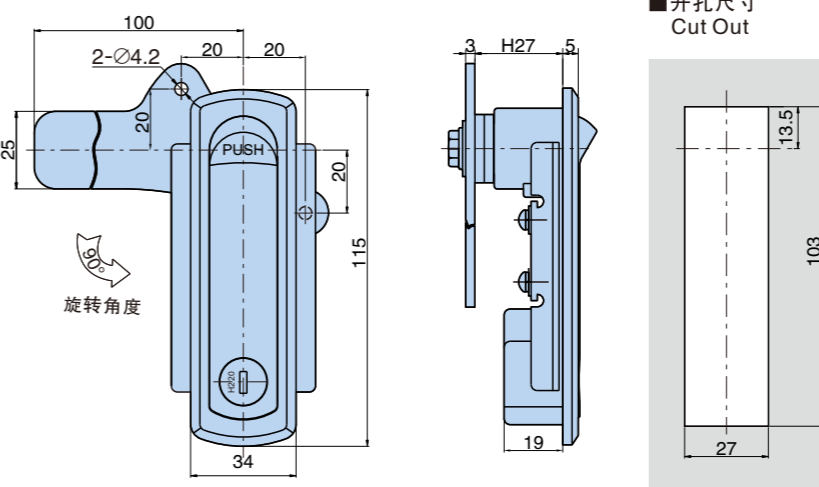
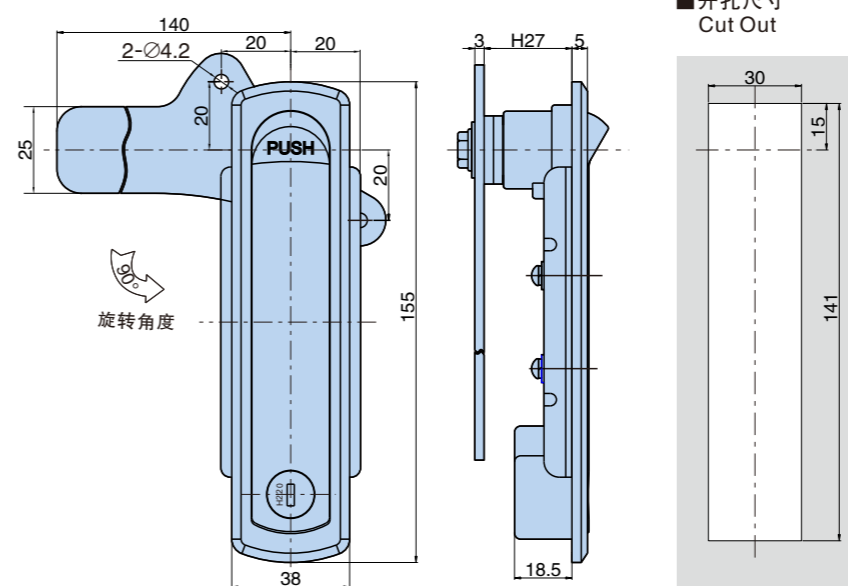
- 材质: 锌合金锁体、镀锌压板、锁片
- 表面处理: 镀沙铬
- 适用门板厚度: 1~3mm
- 备注: 锁片开孔□8×8
- Material: Zinc die-casting body, Zinc plating cam, fixing parts
- Finish: Gray chrome plating
- Panel thickness: 1~3mm
- Remark: cam cutout □8×8

型号 Product no.	产品单重(g) Weight	装箱数 Lot
MS511	146	200

B025

恒珠柜锁 电话(TEL):0795-2119999, 3256555 E-mail: admin@hengzhu.com

旋转式平面锁 Rotary plane lock



型号 Product no.	产品单重(g) Weight	装箱数 Lot
MS716-1-1	494	50
MS716-2-1	369	50

恒珠柜锁 电话(TEL):0795-2119999, 3256555 E-mail: admin@hengzhu.com

MS716



MS716-1-1

MS716-2-1

- 材质: 锌合金锁壳、转轴, 镀锌压板、锁片
- 表面处理: 镀沙铬
- 适用门板厚度: 1~3mm
- 备注: MS607-1锁片开孔□10×10 MS607-2锁片开孔□8×8
- Material: Zinc die-casting body and shaft, Zinc plating cam, fixing parts
- Finish: Gray chrome plating
- Panel thickness: 1~3mm
- Remark: MS607-1cam cutout□10×10 MS607-2cam cutout□8×8

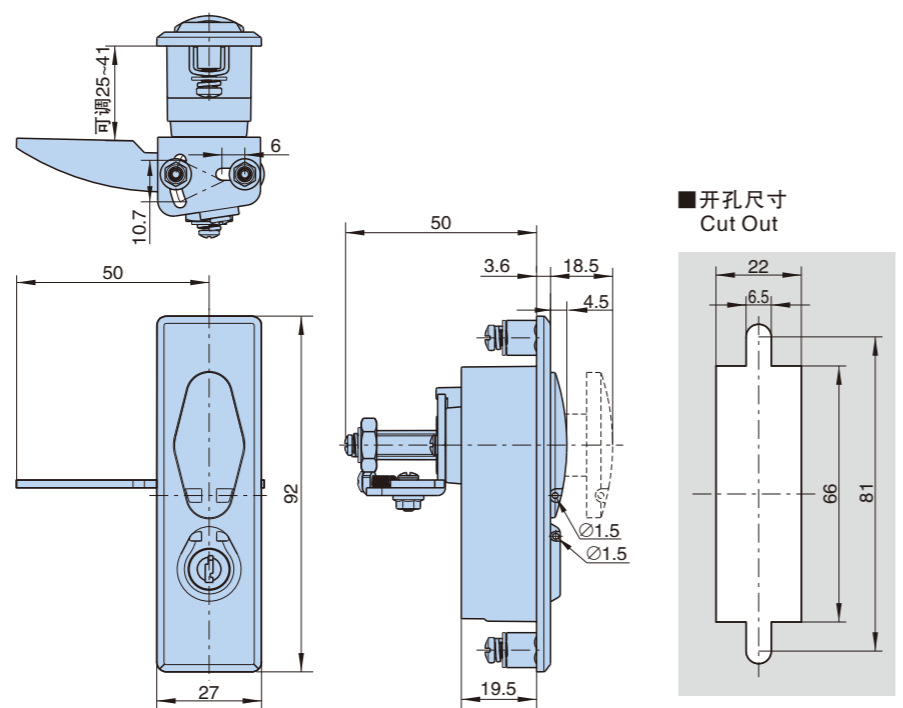
B026

MS505-1-1L

旋转式平面锁 Rotary plane lock

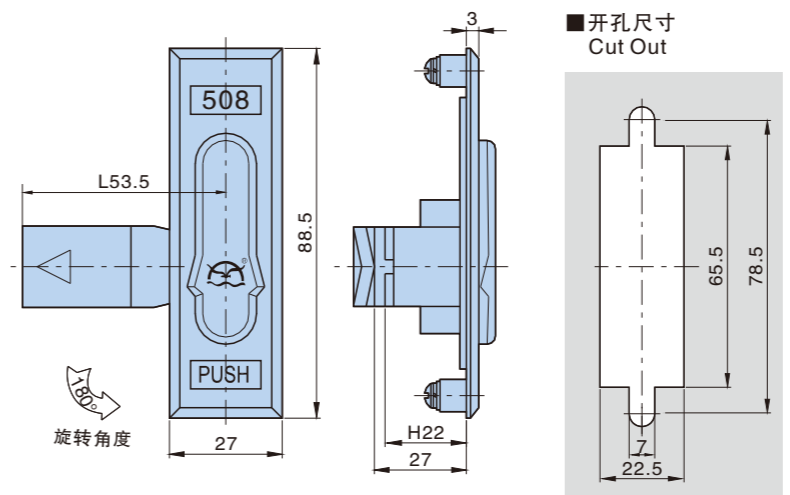


- 材质: 锌合金锁体、镀锌压板、锁片
- 表面处理: 镀亮铬
- 适用门板厚度: 1~3mm
- 备注: 锁片有左右之分
- Material: Zinc die-casting body, Zinc plating cam, fixing parts
- Finish: Bright chrome plating
- Panel thickness: 1~3mm
- Remark: Left cam and right cam are available



型号 Product no.	产品单重(g) Weight	装箱数 Lot
MS505-1-1L	228	100
MS505-1-1R	228	100

旋转式平面锁 Rotary plane lock



型号 Product no.	产品单重(g) Weight	装箱数 Lot
MS508	144	180

MS508



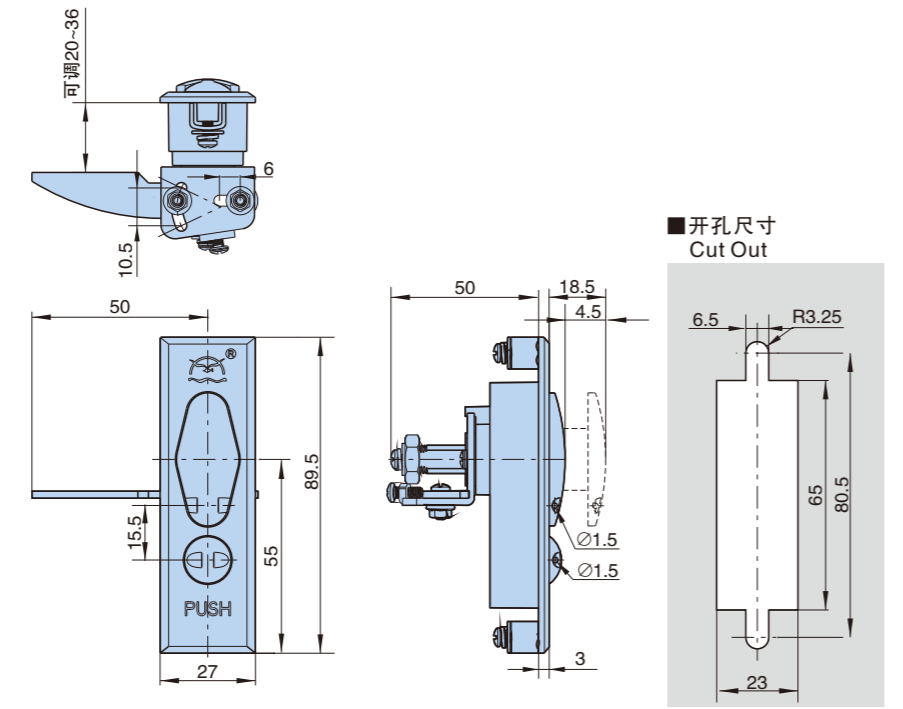
- 材质: 锌合金锁体、塑料防雨盖、镀锌锁片
- 表面处理: 镀亮铬
- 适用门板厚度: 1~3mm
- 备注: 锁片开孔 8x8
- Material: Zinc die-casting body, plastic waterproof. Cap, Zinc plating cam, fixing parts
- Finish: Bright chrome plating
- Panel thickness: 1~3mm
- Remark: cam cutout 8x8

MS505-1-2L

旋转式平面锁 Rotary plane lock

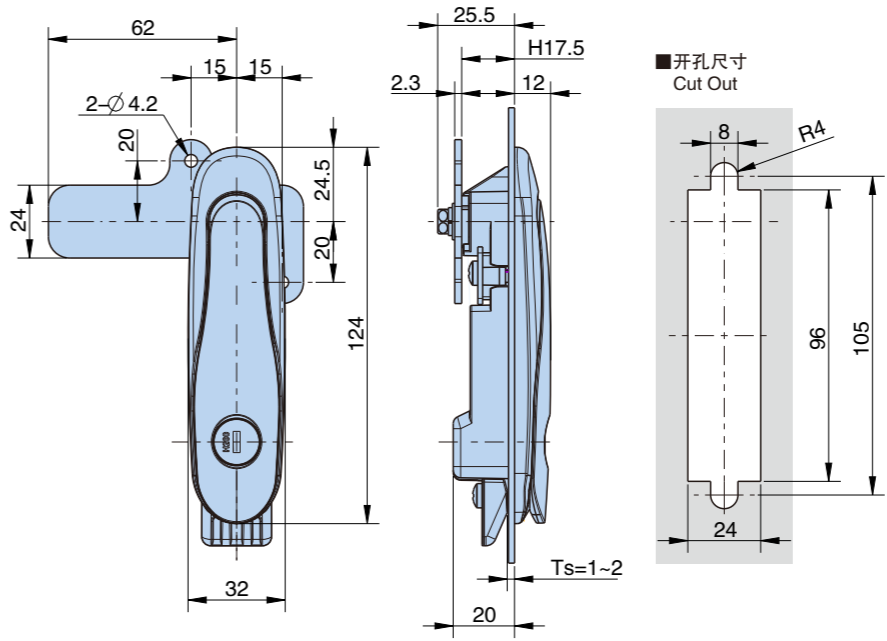


- 材质: 锌合金锁体、镀锌压板、锁片
- 表面处理: 镀亮铬
- 适用门板厚度: 1~3mm
- 备注: 锁片有左右之分
- Material: Zinc die-casting body, Zinc plating cam, fixing parts
- Finish: Bright chrome plating
- Panel thickness: 1~3mm
- Remark: Left cam and right cam are available



型号 Product no.	产品单重(g) Weight	装箱数 Lot
MS505-1-2L	178	100
MS505-1-2R	178	100

旋转式平面锁 Rotary plane lock



型号 Product no.	产品单重(g) Weight	装箱数 Lot
MS6024P-2-1	148.5	60

MS6024P



- 材质: PA锁体, 锌合金转轴, 锁芯组件, A3锁片
- 表面处理: 黑色沙纹面
- 适用门板厚度: 1~2mm
- 结构功能: 无需拆下安装板固定螺丝, 安装快捷
- 备注: 锁片开孔 8x8.
- Material: PA housing, zinc alloy shaft and cylinder, steel cam
- Finishing: Textured black powder coated For Panel Thickness: 1~2mm
- Function: No need to detech the screws easy for assemble
- Remark: Cam cutout 8x8

A拉手系列 Handles series

B平面锁系列 Plane lock series

C连杆锁系列 Rod control series

D面板锁系列 Plane lock series

E执手锁系列 Handle lock series

F转舌锁系列 Cam lock series

G铰链系列 Hinge series

H搭扣锁系列 Toggle lock series

I门销系列 Door bolt series

J电子锁系列 Electronic lock series

K密封条系列 Gasketing series

L限位系列 Door stop series

M附件系列 Accessories series

N不锈钢件系列 Stainless steel series

索引 Index

A拉手系列 Handles series

B平面锁系列 Plane lock series

C连杆锁系列 Rod control series

D面板锁系列 Plane lock series

E执手锁系列 Handle lock series

F转舌锁系列 Cam lock series

G铰链系列 Hinge series

H搭扣锁系列 Toggle lock series

I门销系列 Door bolt series

J电子锁系列 Electronic lock series

K密封条系列 Gasketing series

L限位系列 Door stop series

M附件系列 Accessories series

N不锈钢件系列 Stainless steel series

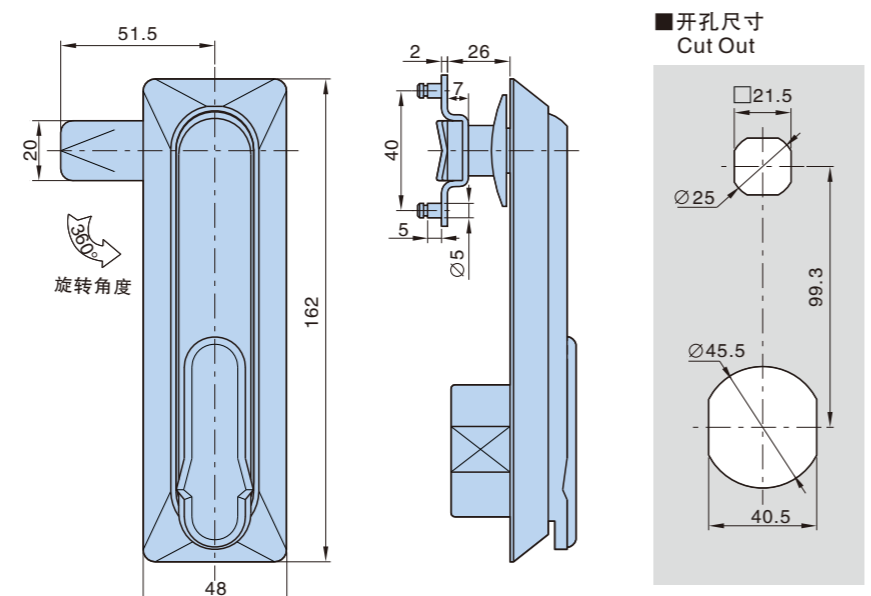
索引 Index

MS100-1-1A

旋转式平面锁 Rotary plane lock



- 材质: PA锁体、镀锌锁片
- 表面颜色: 黑色
- 适用门板厚度: 1~2mm
- 备注: 锁片开孔 8x8
- Material: PA body, Zincplating cam, fixing parts
- Finish: Rubber feeling sprat paing
- Panel thickness: 1~2mm
- Remark: cam cutout 8x8



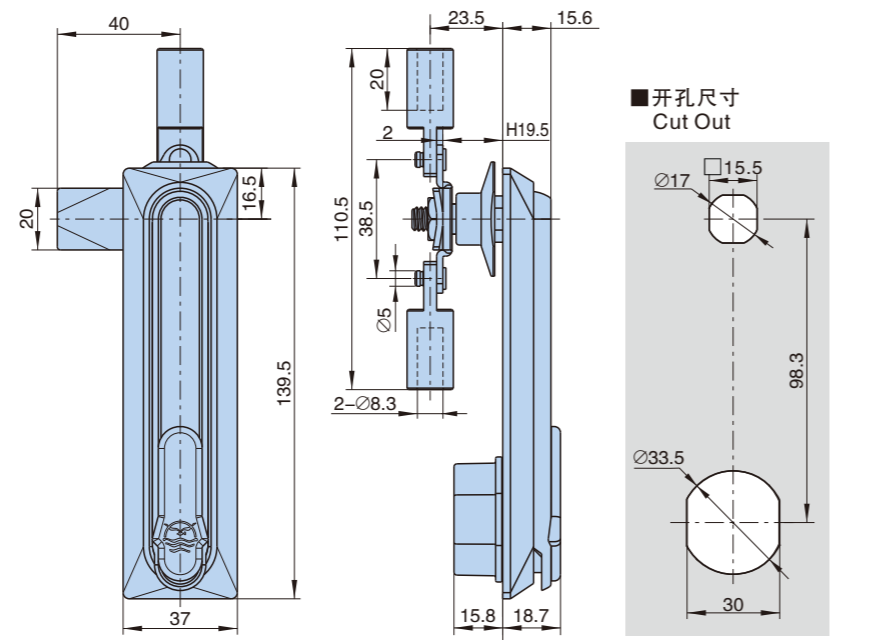
型号 Product no.	产品单重(g) Weight	装箱数 Lot
MS100-1-1A	315	50

MS100-2-1

旋转式平面锁 Rotary plane lock



- 材质: PA锁体、镀锌锁片
- 表面颜色: 黑色
- 适用门板厚度: 1~2mm
- 备注: 锁片开孔 8x8
- Material: PA body, Zincplating cam, fixing parts
- Finish: Rubber feeling sprat paing
- Panel thickness: 1~2mm
- Remark: cam cutout 8x8

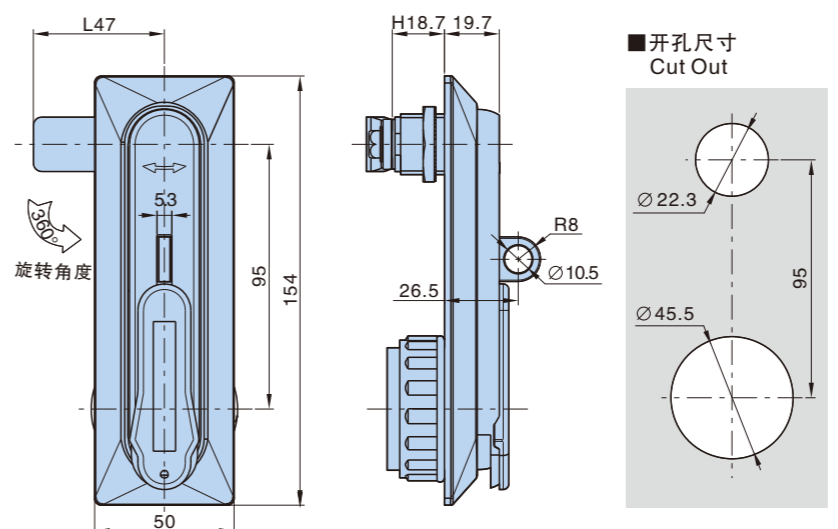


型号 Product no.	产品单重(g) Weight	装箱数 Lot
MS100-2-1	180	50

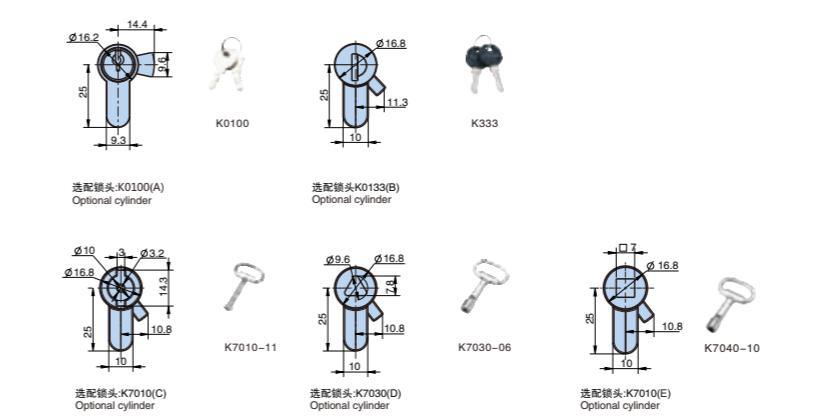
B029

恒珠柜锁 电话(TEL):0795-2119999, 3256555 E-mail: admin@hengzhu.com

旋转式平面锁 Rotary plane lock



选配锁头系列 Optional cylinder series



锁芯类别 Insert types	产品型号及特性 Product Number					
	带挂锁装置 With padlock 黑色沙纹面 Matt black	产品单重(g) Weight	装箱数 Lot	不带挂锁装置 w/o padlock 黑色沙纹面 Matt black	产品单重(g) Weight	装箱数 Lot
K0100(A)	MS820-1-1AG	305	100	MS820-1-1A	286.5	100
K0133(B)	MS820-1-1BG	305	100	MS820-1-1B	286.5	100
K7010(C)	MS820-1-1CG	355	100	MS820-1-1C	336.5	100
K7030(D)	MS820-1-1DG	355	100	MS820-1-1D	336.5	100

恒珠柜锁 电话(TEL):0795-2119999, 3256555 E-mail: admin@hengzhu.com

MS820-1



MS820-1-1B

- 材质: PA锁体、锌合金挂锁座、锁芯, 镀锌锁片
- 适用门板厚度: 1~3mm
- 备注: 锁片开孔 8x8
- Material: PA body, zinc die-casting handle, Insert, Zin plating cam
- Panel thickness: 1~3mm
- Remark: cam cutout 8x8

B030

MS820-2

旋转式平面锁 Rotary plane lock

旋转式平面锁 Rotary plane lock

MS821



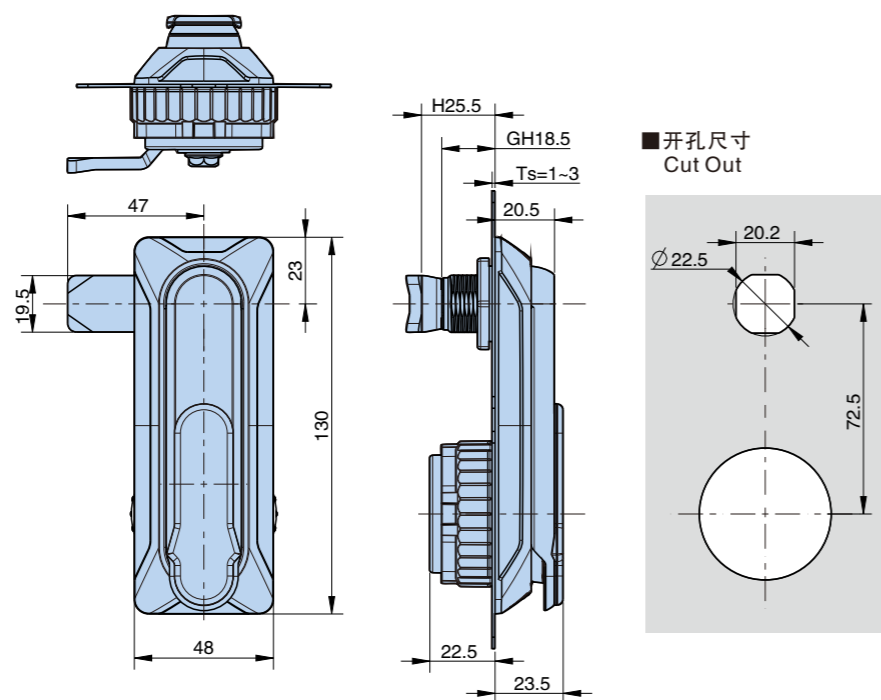
MS820-2-1B



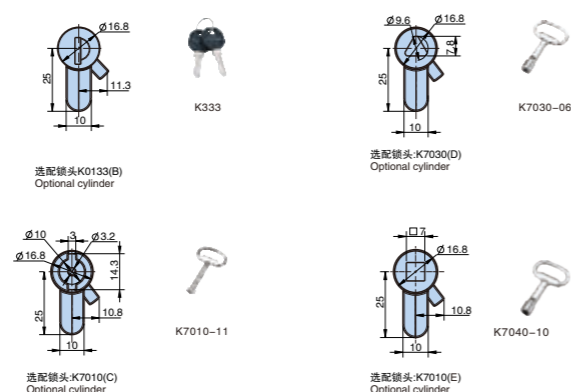
MS820-2-1C



MS820-2-1D



选配锁头系列
Optional cylinder series



锁芯类别 Insert types	产品型号及特性 Product Number		
	黑色沙纹面 Matt black	产品 单重(g) Weight	装箱数 Lot
K0133(B)	MS820-2-1B	255	100
K7010(C)	MS820-2-1C	258	100
K7030(D)	MS820-2-1D	252	100

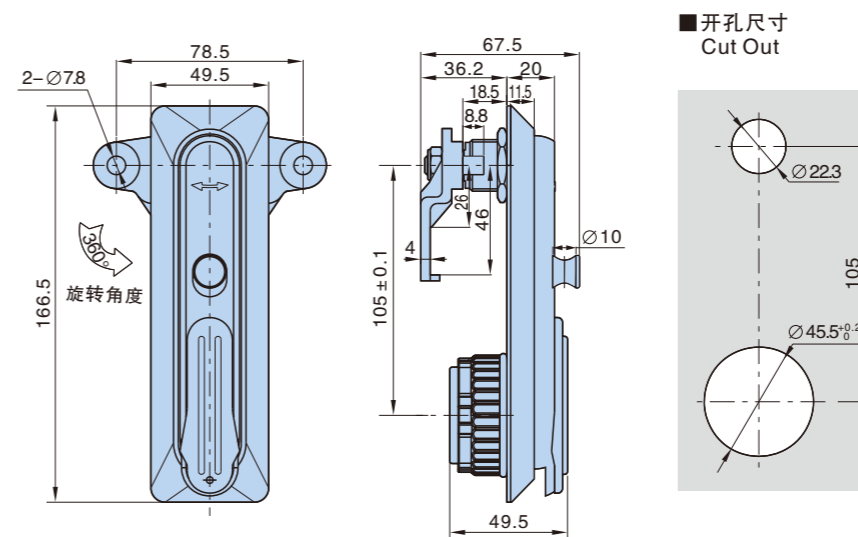
- 材质: PA锁体、锌合金挂锁座、锁芯, 镀锌锁片
- 表面处理: 粗火花纹
- 适用门板厚度: 1~3mm
- 备注: 锁片开孔 $\square 8 \times 8$
- Material: PA body, zinc die-casting handle, Insert, Zin plating cam
- Finish: matt black
- Panel thickness: 1~3mm
- Remark: cam cutout $\square 8 \times 8$



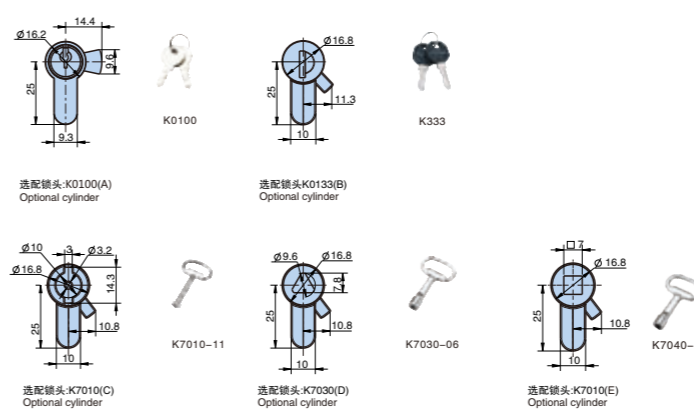
MS821-1-1B



MS821-1-1AG



选配锁头系列
Optional cylinder series



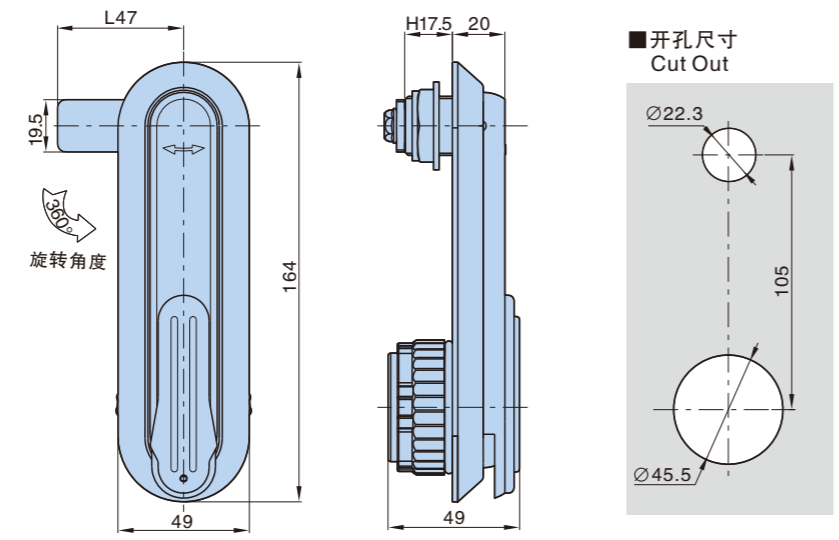
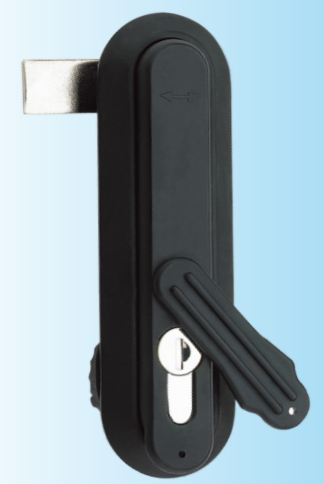
锁芯类别 Insert types	产品型号及特性 Product Number					
	不带挂锁装置 w/o padlock 黑色沙纹面 Matt black	产品 单重(g) Weight	装箱数 Lot	带挂锁装置 With padlock 黑色沙纹面 Matt black	产品 单重(g) Weight	装箱数 Lot
K0100(A)	MS821-1-1A	255	100	MS821-1-1AG	332	100
K0133(B)	MS821-1-1B	255	100	MS821-1-1BG	332	100
K7010(C)	MS821-1-1C	300	100	MS821-1-1CG	370	100
K7030(D)	MS821-1-1D	300	100	MS821-1-1DG	370	100

- 材质: PA 锁体、锁背, 锌合金螺母
- 适用门板厚度: 1~3mm
- 备注: 锁片开孔 $\square 8 \times 8$
- Material: PA body, cam, zinc die-casting nut
- Panel thickness: 1~3mm
- Remark: cam cutout $\square 8 \times 8$

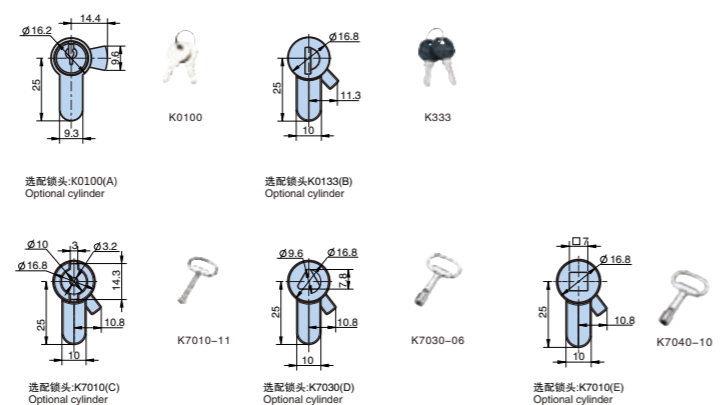
MS821-2

旋转式平面锁 Rotary plane lock

RL



选配锁头系列
Optional cylinder series



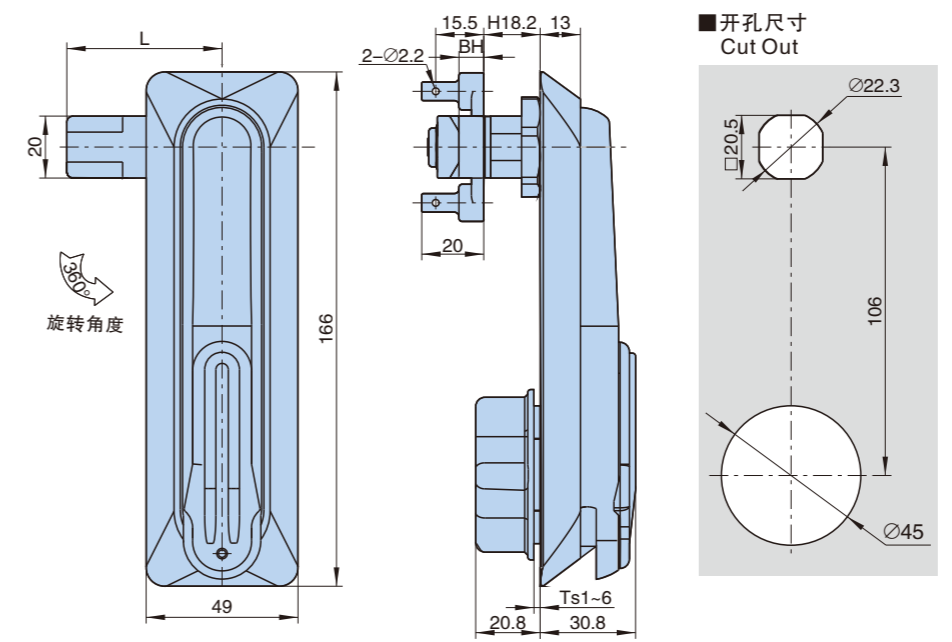
锁芯类别 Insert types	产品型号及特性 Product Number					
	不带挂锁装置 w/o padlock		带挂锁装置 With padlock		带挂锁装置 With padlock	
	产品 单重(g) Weight	装箱数 Lot	产品 单重(g) Weight	产品 单重(g) Weight	装箱数 Lot	装箱数 Lot
K0100(A)	MS821-2-1A	358	100	MS821-2-1AG	435	100
K0133(B)	MS821-2-1B	358	100	MS821-2-1BG	435	100
K7010(C)	MS821-2-1C	405	100	MS821-2-1CG	492	100
K7030(D)	MS821-2-1D	405	100	MS821-2-1DG	492	100

- 材质: PA锁体、锌合金螺母、锁芯、镀锌锁片
- 适用门板厚度: 1~3mm
- 备注: 锁片开孔 8x8
- Material: PA body, zinc die-casting nut, insert Zinc plating cam, fixing parts
- Panel thickness: 1~3mm
- Remark: cam cutout 8x8

B033

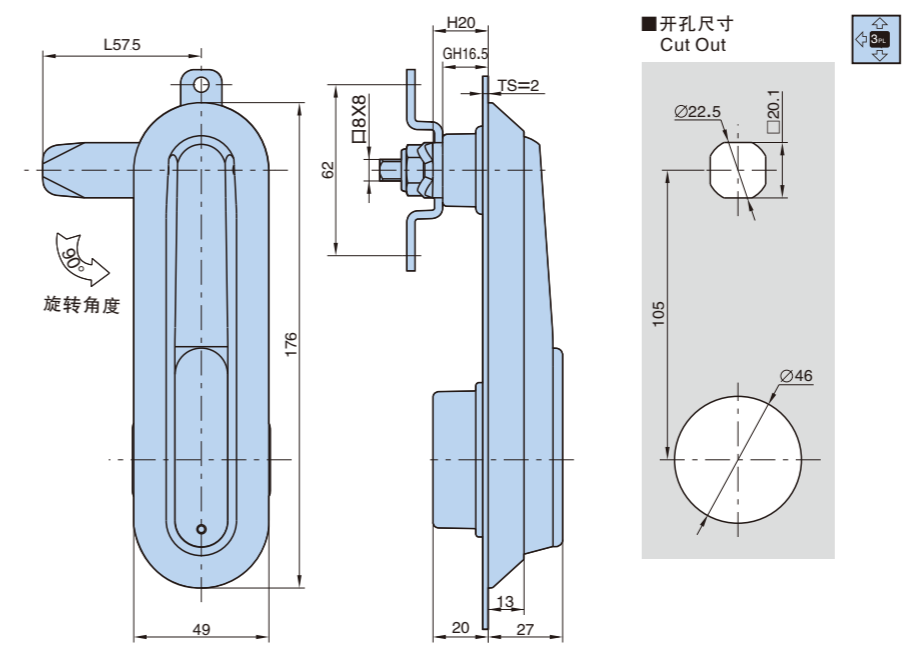
恒珠柜锁 电话(TEL):0795-2119999, 3256555 E-mail: admin@hengzhu.com

旋转式平面锁 Rotary plane lock



专用锁栓 exclusive cam		产品型号及特性 Product Number		
折弯高度BH bend height BH	中心距L center to center L spacing L	不带挂锁装置 w/o padlock	产品 单重(g) Weight	装箱数 Lot
		黑色沙纹面 Matt black		
8	50	MS821-3-1A	387	100
3.5	66	MS821-3-1B	387	100

旋转式平面锁 Rotary plane lock



型号 Product no.	产品单重(g) Weight	装箱数 Lot
MS845-1-1	571	40

恒珠柜锁 电话(TEL):0795-2119999, 3256555 E-mail: admin@hengzhu.com

MS821-3-1

RL



- 材质: PA锁体、锌合金锁片
- 适用门板厚度: 1~3mm
- 备注: 只可用K0100锁芯, 且要加长型锁舌
- 备注: 锁片开孔 8x8
- Material: PA body zinc die-casting cam
- Panel thickness: 1~3mm
- Remark: only use K0100 insert
- Remark: cam cutout 8x8

MS845-1-1

RL



- 材质: 锌合金锁壳、锁背 PA66转轴后盖、锁芯后盖。
- 表面处理: 喷沙纹黑
- 适用门板厚度: 1.5~2mm
- 备注: 锁片开孔 8x8
- Material: zinc alloy lock, PA66 back cover, shaft PA66 lock core cover
- Finish :Matt black
- Fit door thickness: 1.5~2mm
- Remark: cam cutout 8x8

B034

A拉手系列
Handles series

B平面锁系列
Plane lock series

C连杆锁系列
Rod control series

D面板锁系列
Plane lock series

E执手锁系列
Handle lock series

F转舌锁系列
Cam lock series

G铰链系列
Hinge series

H搭扣锁系列
Toggle lock series

I门销系列
Door bolt series

J电子锁系列
Electronic lock series

K密封条系列
Gasketing series

L限位系列
Door stop series

M附件系列
Accessories series

N不锈钢件系列
Stainless steel series

索引
Index

A拉手系列
Handles series

B平面锁系列
Plane lock series

C连杆锁系列
Rod control series

D面板锁系列
Plane lock series

E执手锁系列
Handle lock series

F转舌锁系列
Cam lock series

G铰链系列
Hinge series

H搭扣锁系列
Toggle lock series

I门销系列
Door bolt series

J电子锁系列
Electronic lock series

K密封条系列
Gasketing series

L限位系列
Door stop series

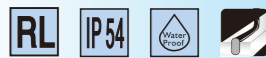
M附件系列
Accessories series

N不锈钢件系列
Stainless steel series

索引
Index

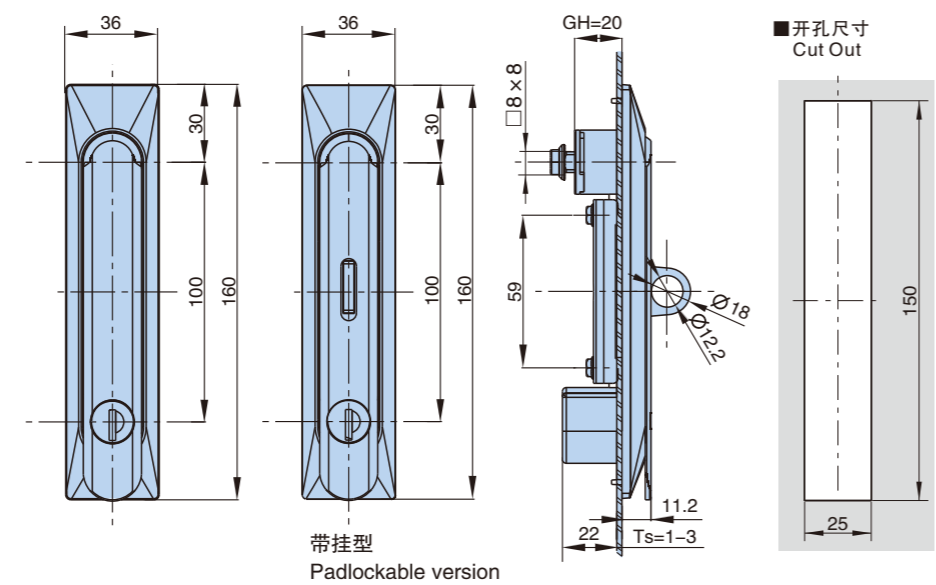
MS826

旋转式平面锁 Rotary plane lock



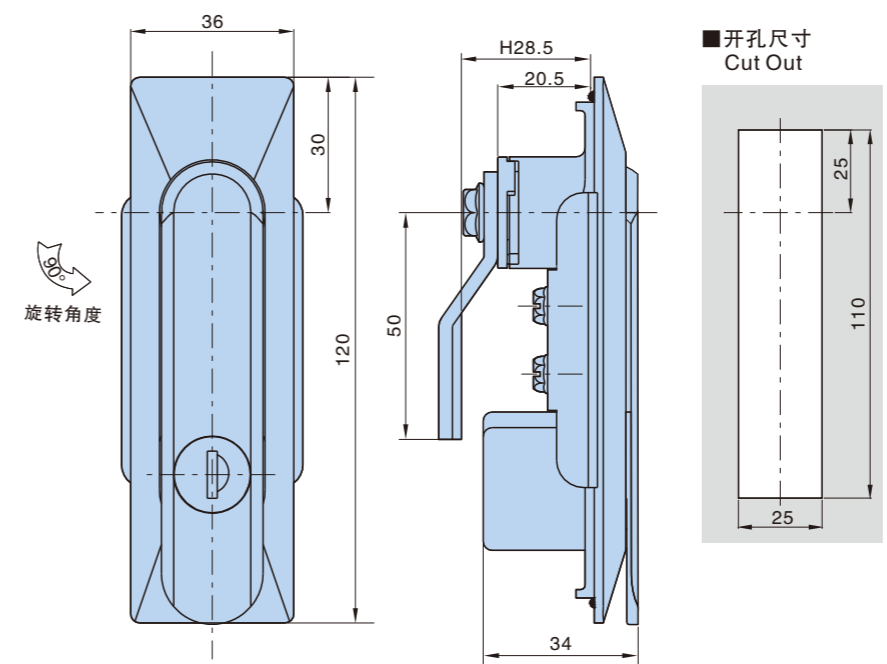
MS826-1-1 MS826-1A-1

- 材质: PA锁体、锌合金手柄、镀锌压板、锁片
- 表面处理: 黑色沙纹面
- 适用门板厚度: 1~3mm
- 备注: 锁片开孔口8×8, MS826-1A-1为锌合金锁体, 专用拉杆片
- Material: PA body, zinc die-casting handle, Zinc plating cam, fixing parts
- Finish: Matt black
- Panel thickness: 1~3mm
- Remark: cam cutout口8×8, MS826-1A-1 all zinc-die casting



型号 Product no.	材质Material	产品单重(g) Weight	装箱数 Lot
MS826-1-1	锌合金手柄, 塑料座 Zinc die handle, PA housing	359.5	50
MS826-1A-1	全锌合金 Full Zinc Die	492	50
MS826-1G-1	全锌合金 Full Zinc Die	492	50

旋转式平面锁 Rotary plane lock



型号 Product no.	产品单重(g) Weight	装箱数 Lot
MS826-2-1	175.5	50

MS826-2-1



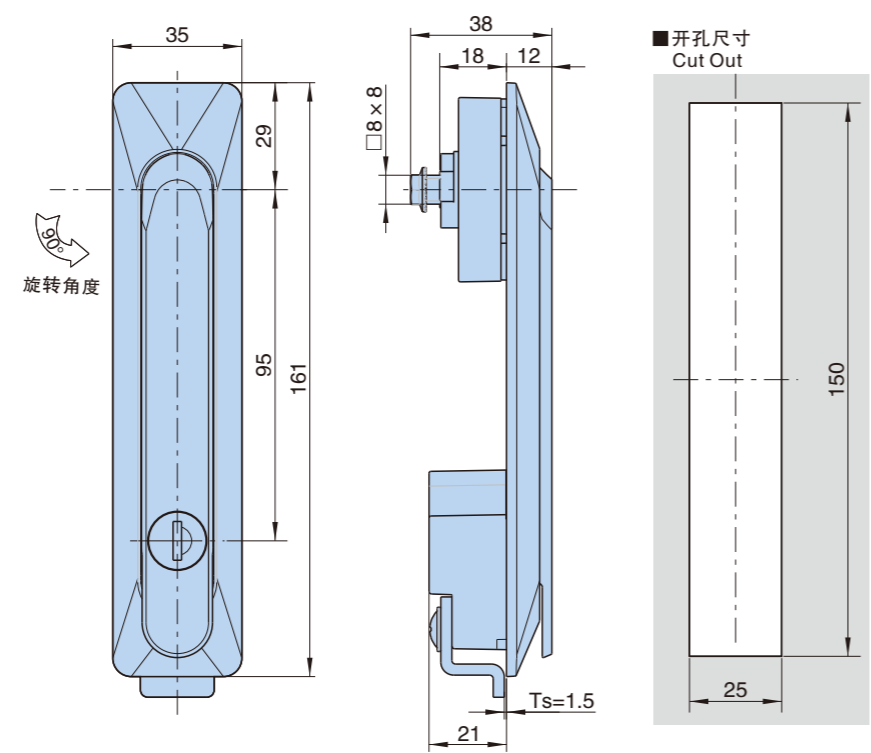
- 材质: PA锁体、锌合金手柄、镀锌压板、锁片
- 表面处理: 黑色沙纹面
- 适用门板厚度: 1~3mm
- 备注: 锁片开孔口8×8
- Material: PA body, zinc die-casting handle, Zinc plating cam, fixing parts
- Finish: Matt black
- Panel thickness: 1~3mm
- Remark: cam cutout口8×8,

MS826-1B-1

旋转式平面锁 Rotary plane lock

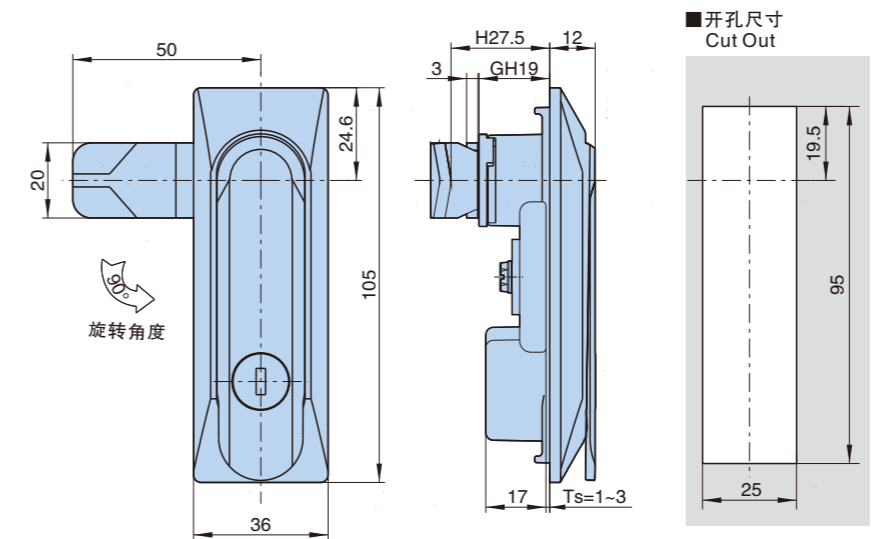


- 材质: PA锁壳, 锁背, 转轴盖, 锌合金定位件
- 表面处理: 黑色(沙纹面)
- 结构说明: 锁背90°旋转实现打开和锁闭
- 调换定位件方向实现左右开启
- 适用门板厚度: 1.5mm
- 备注: 锁片开孔口8×8
- Material: PA
- Finish: Black
- Panel thickness: 1.5mm
- Remark: Cam Cutout口8×8



型号 Product no.	产品单重(g) Weight	装箱数 Lot
MS826-1B-1	148.6	100

旋转式平面锁 Rotary plane lock



型号 Product no.	产品单重(g) Weight	装箱数 Lot
MS826-3-1	160	100

MS826-3-1



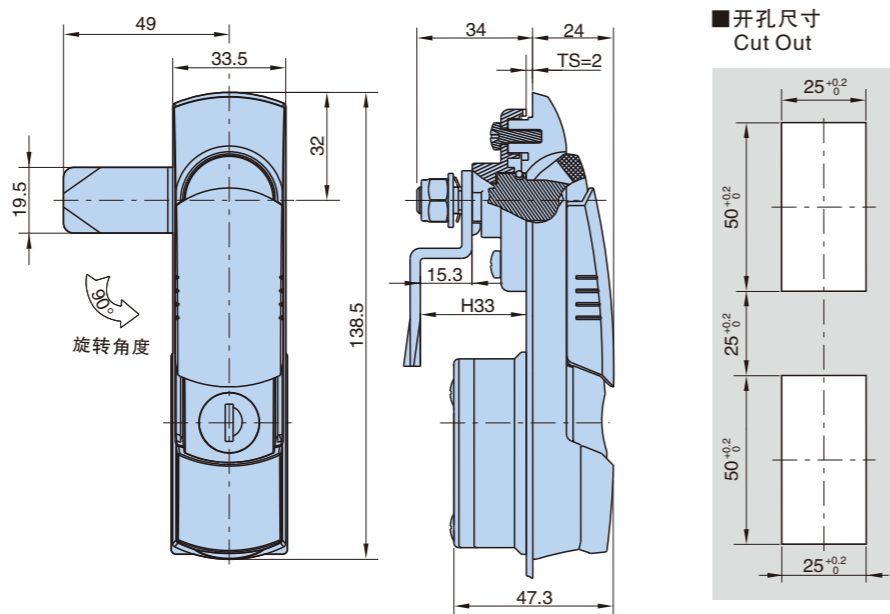
- 材质: PA锁体、手柄、镀锌压板、锁片
- 表面处理: 黑色沙纹面
- 适用门板厚度: 1~3mm
- 备注: 锁片开孔口8×8
- Material: PA body, zinc die-casting handle, Zinc plating cam, fixing parts
- Finish: Matt black
- Panel thickness: 1~3mm
- Remark: cam cutout口8×8,

MS836-1-1

旋转式平面锁 Rotary plane lock

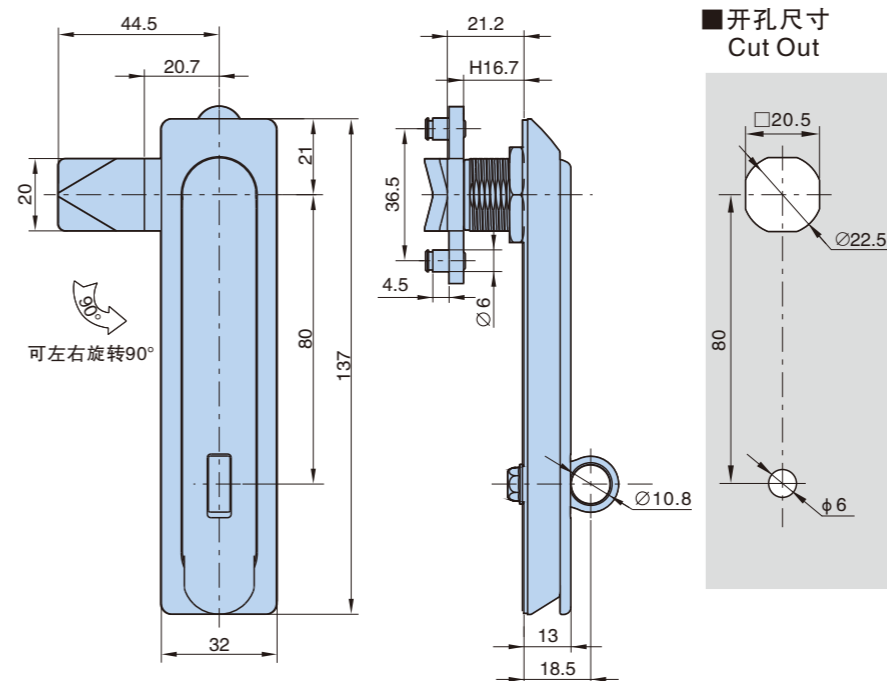


- 材质: PA锁体、锁背、防水盖、镀锌钢锁片
- 表面处理: 黑色沙纹面
- 适用门板厚度: 1~2mm
- 备注: K333、锁片开孔 $\square 8 \times 8$ 。
- Material: PA lock body、Zinc plating cam
- Finish :Matt black
- Panel thickness:1~2mm
- Remark: K333、cam cutout $\square 8 \times 8$



型号 Product no.	产品单重(g) Weight	装箱数 Lot
MS836-1-1	234	100

旋转式平面锁 Rotary plane lock



型号 Product no.	产品单重(g) Weight	装箱数 Lot
MS834-1-1	315	50

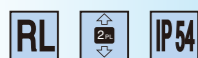
MS834-1-1



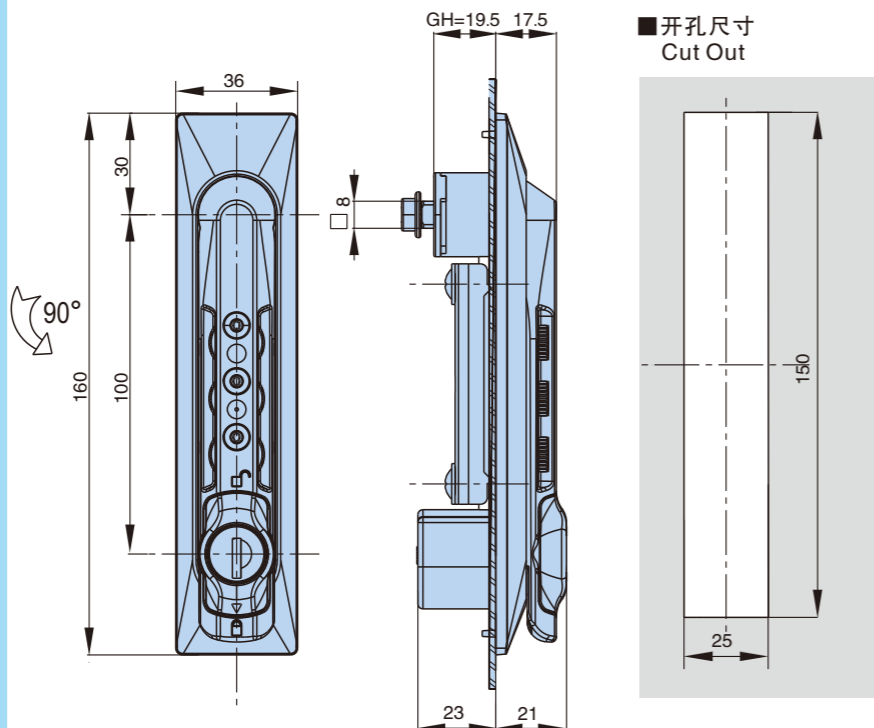
- 材质: 带挂锁 全不锈钢
- 表面处理: 拉丝
- 适用门板厚度: 1~5mm
- 备注: 锁片开孔 $\square 8 \times 8$
- Material : With padlock stainless steel
- Finish : drawing
- Panel thickness:1~5mm
- Remark: cam cutout $\square 8 \times 8$

MS837-1-1

旋转式平面锁 Rotary plane lock

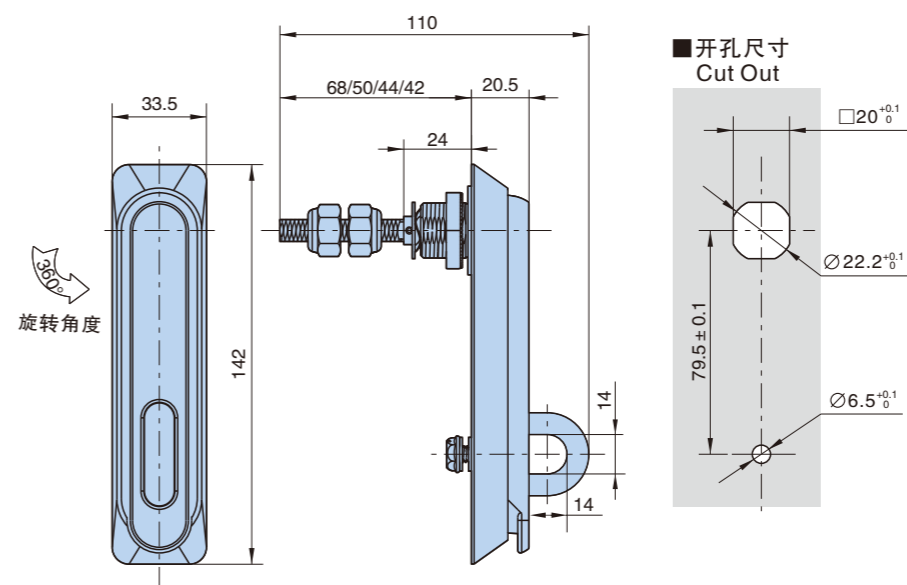


- 材质: PA锁背, 锁壳, 镀锌压板、锁片
- 表面处理: 黑色沙纹面
- 适用门板厚度: 1~5mm
- 备注: 锁片开孔 $\square 8 \times 8$
- Material: PA back,housing,Zinc plating cam、fixing parts
- Finish :Matt black
- Panel thickness:1~5mm
- Remark:cam cutout $\square 8 \times 8$



型号 Product no.	产品单重(g) Weight	装箱数 Lot
MS837-1-1	269	50

旋转式平面锁 Rotary plane lock



型号 Product no.	产品单重(g) Weight	装箱数 Lot
MS838-1 (锌合金锁体)	520	50
MS838-1S (全不锈钢锁体)	520	50

MS838-1



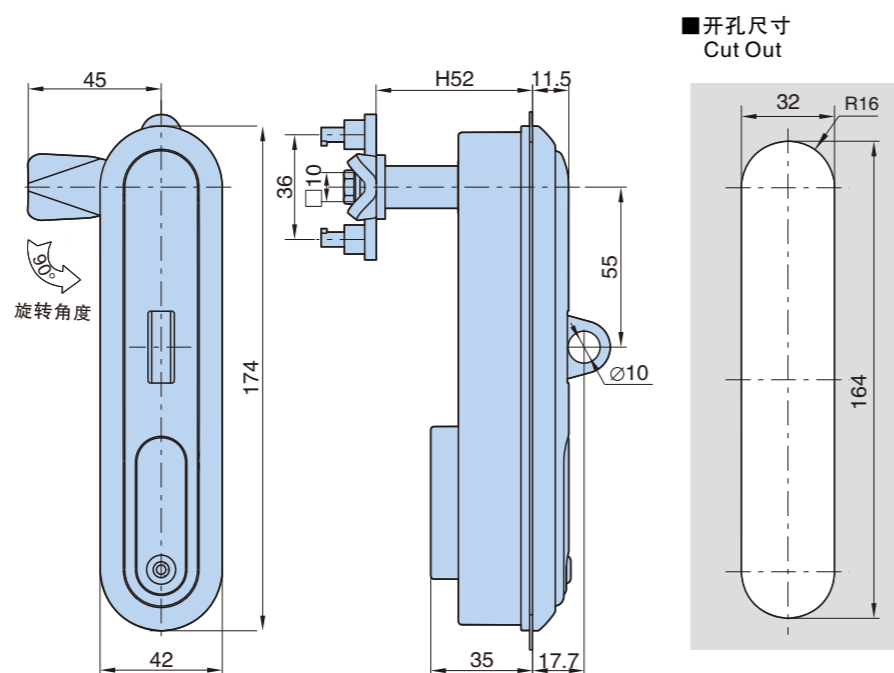
- 材质: 锌合金锁体, 不锈钢锁扣;
- 表面处理: 镀铬亮
- 适用门板厚度: 1~10mm
- 备注: 锁片开孔 $\square 8 \times 8$
- Material: Zinc die-casting body, Stainless steel padlock
- Finish : Bright chromeplating
- Panel thickness:1~10mm
- Remark:cam cutout $\square 8 \times 8$

MS8010-1-1

旋转式平面锁 Rotary plane lock



- 材质: 锌合金锁壳, 锁背
- 表面处理: 电泳黑
- 适用门板厚度: 1~4mm
- 备注: 锁背旋转90° 实现打开及锁闭调换定位件方向实现左右开启, 带挂锁。
- Material :zinc alloy
- Finish :Electrophoresis black
- Panel thickness:1~4mm
- Remark: :For both left and right hand use,It can be changed by reversing the stopper plate , with padlock

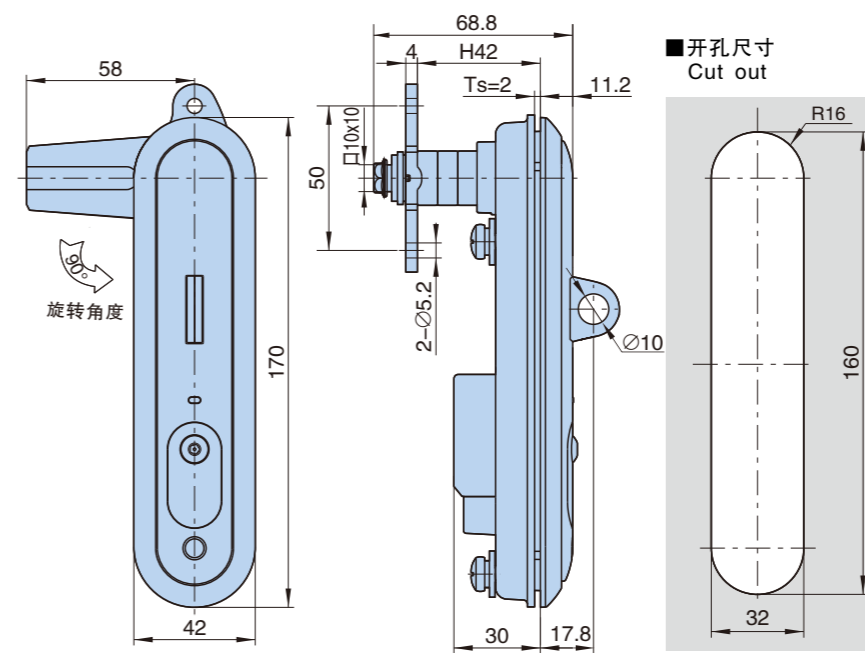


产品型号 Product no.	产品单重(g) Weight	装箱数 Lot
MS8010-1-1	966.5	25

旋转式平面锁 Rotary plane lock



- 材质: 锌合金锁壳, 锁背
- 表面处理: 电泳黑
- 适用门板厚度: 1~4mm
- 备注: 锁背旋转90° 实现打开及锁闭调换定位件方向实现左右开启, 带挂锁。
- Material :zinc alloy
- Finish :Electrophoresis black
- Panel thickness:1~4mm
- Remark: :For both left and right hand use,It can be changed by reversing the stopper plate , with padlock



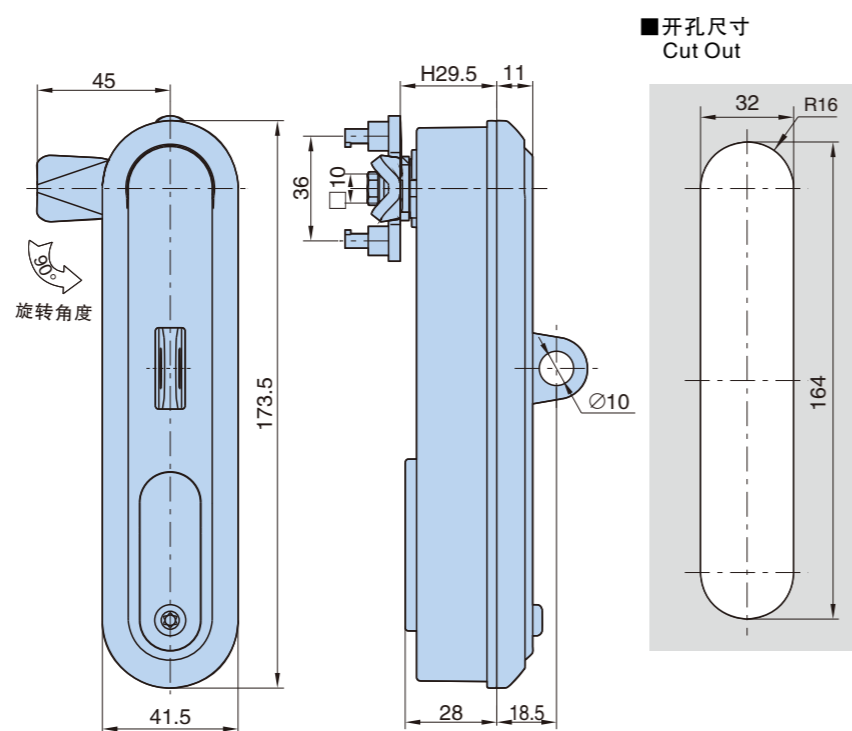
型号 Product no.	产品单重(g) Weight	装箱数 Lot
MS8013Z-1-1	782	25

MS8012Z-1-1

旋转式平面锁 Rotary plane lock



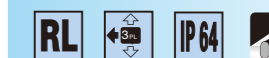
- 材质: 锌合金锁壳, 锁背
- 表面处理: 电泳黑
- 适用门板厚度: 1~4mm
- 备注: 锁背旋转90° 实现打开及锁闭调换定位件方向实现左右开启, 带挂锁。
- Material :zinc alloy
- Finish :Electrophoresis black
- Panel thickness:1~4mm
- Remark: :For both left and right hand use,It can be changed by reversing the stopper plate , with padlock



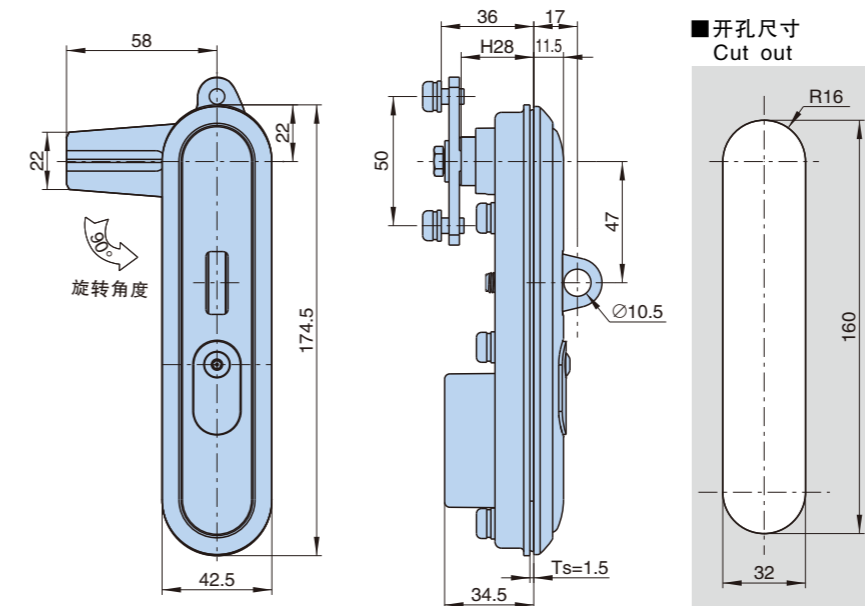
产品型号 Product no.	产品单重(g) Weight	装箱数 Lot
MS8012Z-1-1	808	25

旋转式平面锁 Rotary plane lock

MS8016Z-1-1



- 材质: 锌合金锁壳, 锁背
- 表面处理: 电泳黑
- 适用门板厚度: 1~4mm
- 备注: 锁背旋转90° 实现打开及锁闭调换定位件方向实现左右开启, 带挂锁。
- Material :zinc alloy
- Finish :Electrophoresis black
- Panel thickness:1~4mm
- Remark: :For both left and right hand use,It can be changed by reversing the stopper plate , with padlock



型号 Product no.	产品单重(g) Weight	装箱数 Lot
MS8016Z-1-1	970	25

A拉手系列 Handles series

B平面锁系列 Plane lock series

C连杆锁系列 Rod control series

D面板锁系列 Plane lock series

E执手锁系列 Handle lock series

F转舌锁系列 Cam lock series

G铰链系列 Hinge series

H搭扣锁系列 Toggle lock series

I门销系列 Door bolt series

J电子锁系列 Electronic lock series

K密封条系列 Gasketing series

L限位系列 Door stop series

M附件系列 Accessories series

N不锈钢件系列 Stainless steel series

索引 Index

A拉手系列 Handles series

B平面锁系列 Plane lock series

C连杆锁系列 Rod control series

D面板锁系列 Plane lock series

E执手锁系列 Handle lock series

F转舌锁系列 Cam lock series

G铰链系列 Hinge series

H搭扣锁系列 Toggle lock series

I门销系列 Door bolt series

J电子锁系列 Electronic lock series

K密封条系列 Gasketing series

L限位系列 Door stop series

M附件系列 Accessories series

N不锈钢件系列 Stainless steel series

索引 Index

MS106

压缩旋转式平面锁 Compression Rotary Plane Lock

压缩旋转式平面锁 Compression Rotary Plane Lock

MS106-1A-2



MS106-1-1 MS106-1-2



MS106-2-1 MS106-2-2

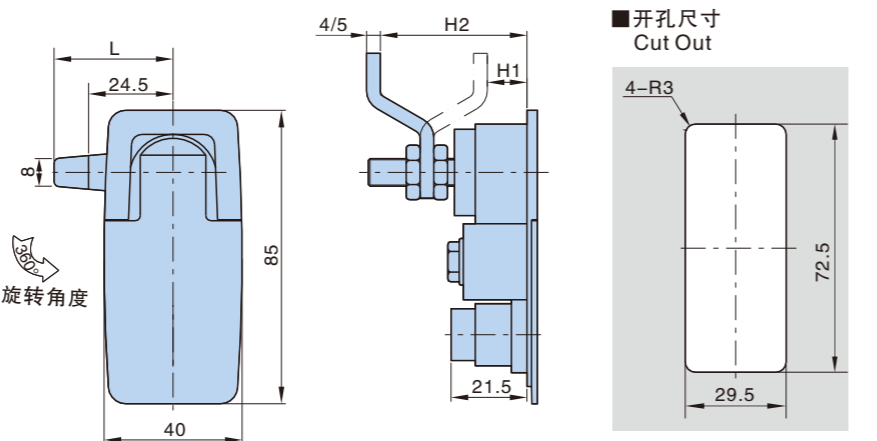
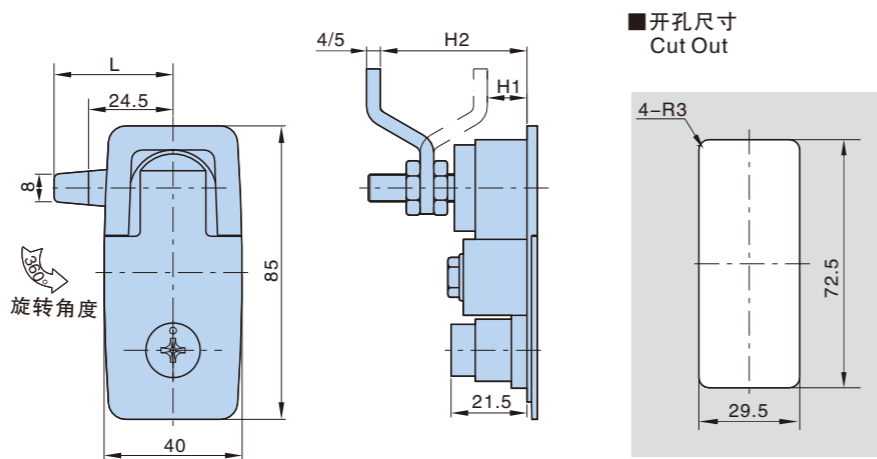
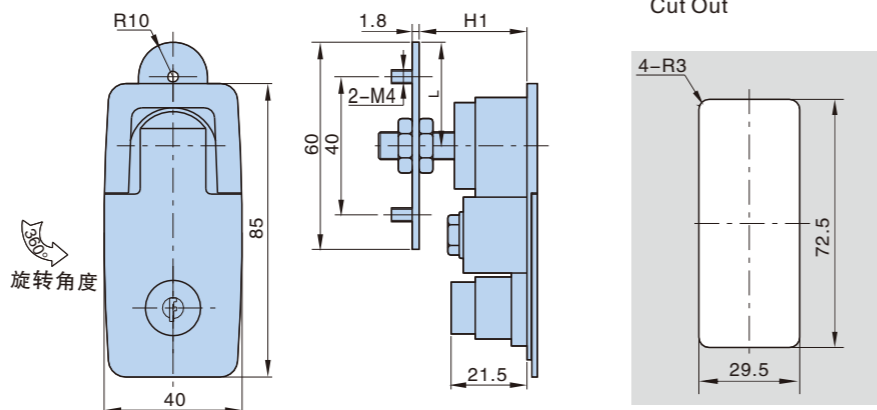


MS106-3-1 MS106-3-2



MS106-4-1 MS106-4-2

- 材质: 锌合金锁体、镀锌压板、锁片
- 适用门板厚度: 1~3.5mm
- 备注: 压缩式门锁, 压缩量为3mm
- Material: Zinc die-casting body Zinc plating cam, fixing parts
- Panel thickness: 1~3.5mm
- Remark: compression lock 3mm pull-up

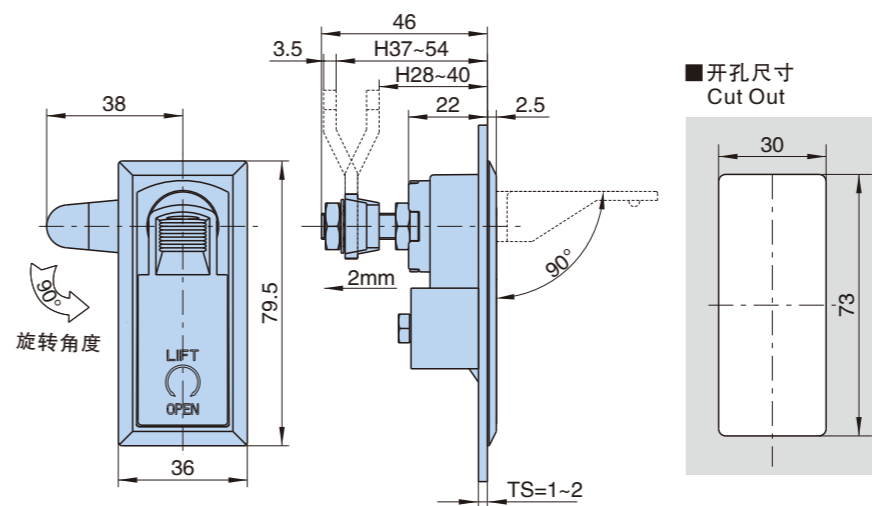


基本尺寸 Dimensions			产品型号及特性 Product Number										
锁片类别 cam types	H1	H2	L	无光黑 Black powder coated				镀铬 Gray chrome plating					
				专用锁芯 key combination	K75锁芯 K75 insert	产品单重 (g) Weight	装箱数 Lot	十字锁芯 Tool-secured	产品单重 (g) Weight	装箱数 Lot	无锁芯 w/o key	产品单重 (g) Weight	装箱数 Lot
拉杆平片 Height=0	31-41		30	MS106-1-1.3	MS106-2-1.3	230	100	MS106-3-1.3	219	100	MS106-4-1.3	200	100
折高4.5片 Height=4.5	26-36	36-46	34.5	MS106-1-2.3	MS106-2-2.3	230	100	MS106-3-2.3	219	100	MS106-4-2.3	200	100
折高15.5片 Height=15.5	16-26	46-56	34.5	MS106-1-3.3	MS106-2-3.3	230	100	MS106-3-3.3	219	100	MS106-4-3.3	200	100
折高25片 Height=25	6-16	56-66	34.5	MS106-1-4.3	MS106-2-4.3	230	100	MS106-3-4.3	219	100	MS106-4-4.3	200	100



MS106-1A-2

- 材质: 锌合金锁壳, 锁盖, A3安装板, 锁片, 螺杆
- 表面处理: 喷无光黑
- 结构功能: 快速开启, 安装方便快捷, 调节螺母可适用各种止口范围, 有伸缩功能。
- 适用门板厚度: 1~2.5
- Material: zinc alloy for the housing and lock back, A3 for the mounting plate, cam and screw.
- Finish: matt black.
- Funtion: quick unlocking, easy installing, with auto scaling, adjust the screw to enable the hinge to the whole range of seam allowance.
- Panel thickness: 1~2.5mm



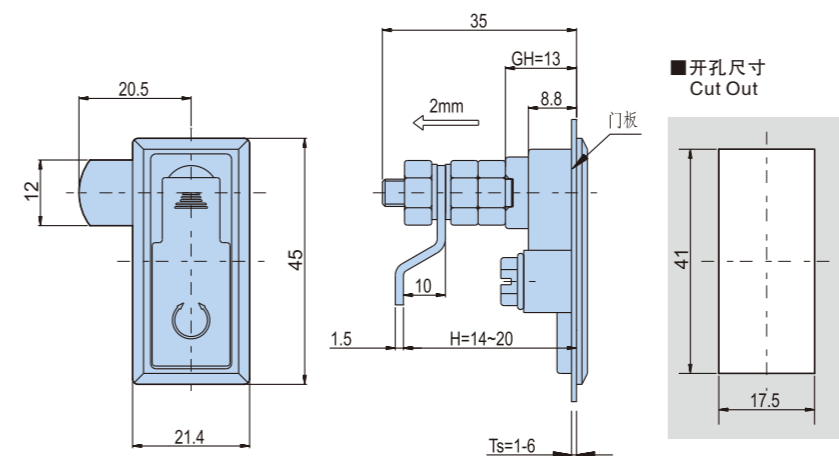
型号 Product no.	产品单重(g) Weight	装箱数 Lot
MS106-1A-2	197.6	100

压缩旋转式平面锁 Compression Rotary Plane Lock

MS106-5-1



- 材质: 锌合金锁壳, 锁盖, A3安装板, 锁片, 螺杆
- 表面处理: 喷无光黑
- 结构功能: 快速开启, 安装方便快捷, 调节螺母可适用各种止口范围, 有伸缩功能。
- 适用门板厚度: 1~6
- Material: zinc alloy for the housing and lock back, A3 for the mounting plate, cam and screw.
- Finish: matt black.
- Funtion: quick unlocking, easy installing, with auto scaling, adjust the screw to enable the hinge to the whole range of seam allowance.
- Panel thickness: 1~6mm



型号 Product no.	产品单重(g) Weight	装箱数 Lot
MS106-5-1		

MS606

压缩杠杆式平面锁 Compression Lever Plane Lock



MS606-1-1

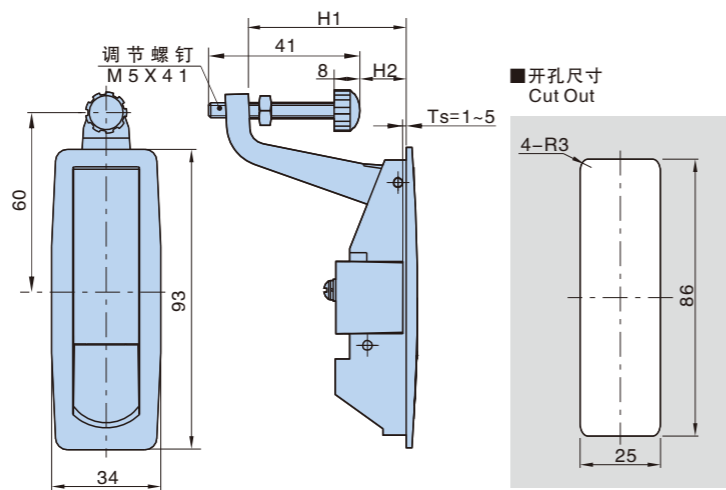
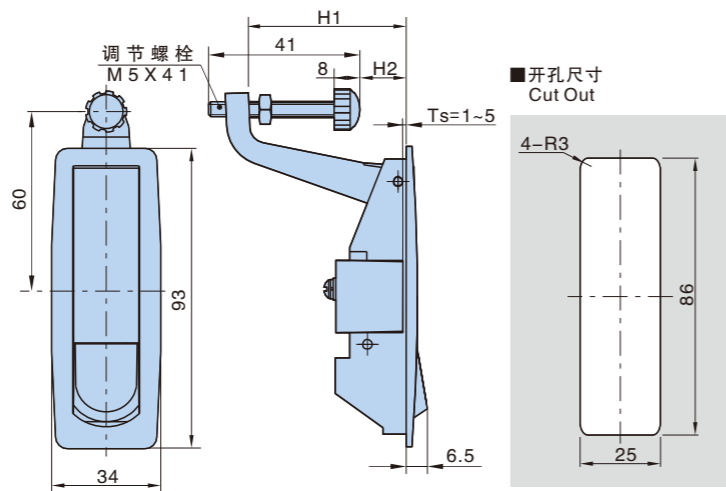
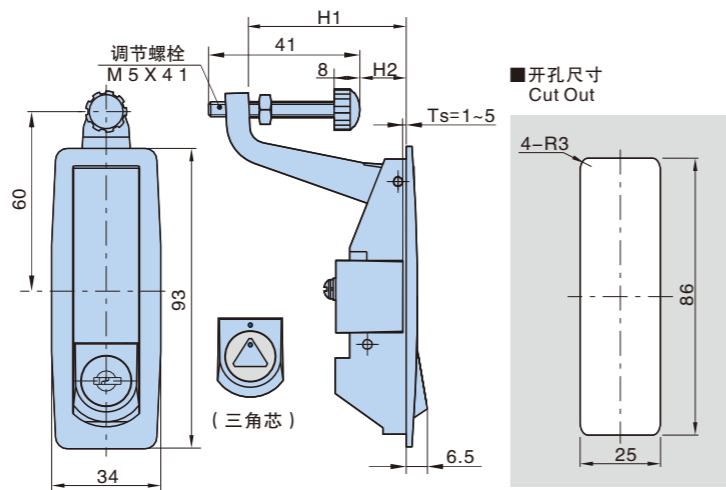


MS606-1-2



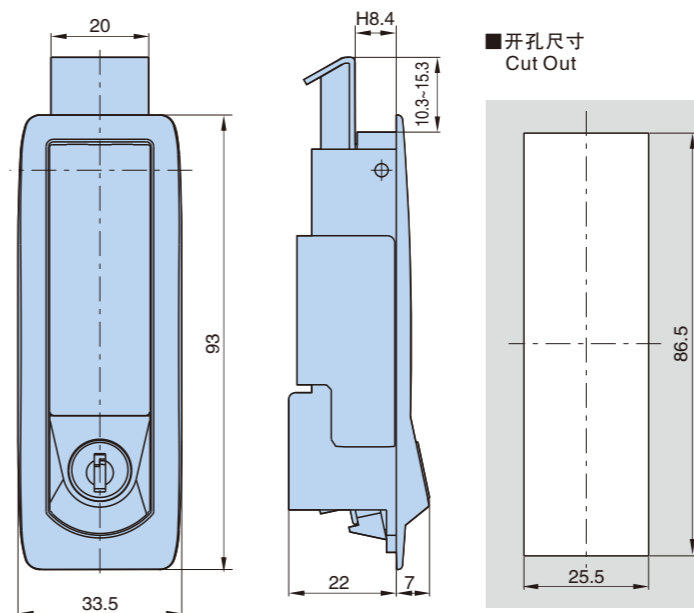
MS606-1-2P

- 材质: 锌合金锁体、镀锌压板、锁片
- 表面处理: 镀亮铬, 喷无光黑
- 适用门板厚度: 1~5mm
- Material: Zinc die-casting body, Zinc plating cam, fixing parts
- Finish: Bright chrome plating Black powder coated
- Panel thickness: 1~5mm



基本尺寸 Dimensions		产品型号及特性 Product Number													
H1	H2	锁背类别 handle types	K332 (常规型)	K333(A)	产品 单重(g) Weight	装箱数 Lot	无锁芯按钮 no locking flush trigger	产品 单重(g) Weight	装箱数 Lot	无锁芯按钮 no locking raised trigger	产品 单重(g) Weight	装箱数 Lot	三角芯按钮 no locking raised trigger	产品 单重(g) Weight	装箱数 Lot
48.5	14~37	大锁背 Long arm	MS606-1-1	MS606-1-2P	220	100	MS606-1-1A	210	100	MS606-1-2	215	100	MS606-1-3	215	100
27.5	0~16	小锁背 Short arm	MS606-2-1	MS606-2-1A	215	100	MS606-2-1A	205	100	MS606-2-2	210	100	MS606-2-3	210	100

按压杠杆式平面锁 Press lever type planar lock



MS612-1-1

- 材质: 锌合金锁体、锁背、按钮,A3锁舌, 安装板
- 表面处理: 喷沙纹黑
- 适用门板厚度: 1~2mm
- Material: zinc alloy body, steel tone and mounting plate
- Finish: matt black
- Pmel thickness: 1~2mm

型号 Product no.	产品单重(g) Weight	装箱数 Lot
MS612-1-1	240	100

A拉手系列
Handles series

B平面锁系列
Plane lock series

C连杆锁系列
Rod control series

D面板锁系列
Plane lock series

E执手锁系列
Handle lock series

F转舌锁系列
Cam lock series

G铰链系列
Hinge series

H搭扣锁系列
Toggle lock series

I门销系列
Door bolt series

J电子锁系列
Electronic lock series

K密封条系列
Gasketing series

L限位系列
Door stop series

M附件系列
Accessories series

N不锈钢件系列
Stainless steel series

索引
Index

A拉手系列
Handles series

B平面锁系列
Plane lock series

C连杆锁系列
Rod control series

D面板锁系列
Plane lock series

E执手锁系列
Handle lock series

F转舌锁系列
Cam lock series

G铰链系列
Hinge series

H搭扣锁系列
Toggle lock series

I门销系列
Door bolt series

J电子锁系列
Electronic lock series

K密封条系列
Gasketing series

L限位系列
Door stop series

M附件系列
Accessories series

N不锈钢件系列
Stainless steel series

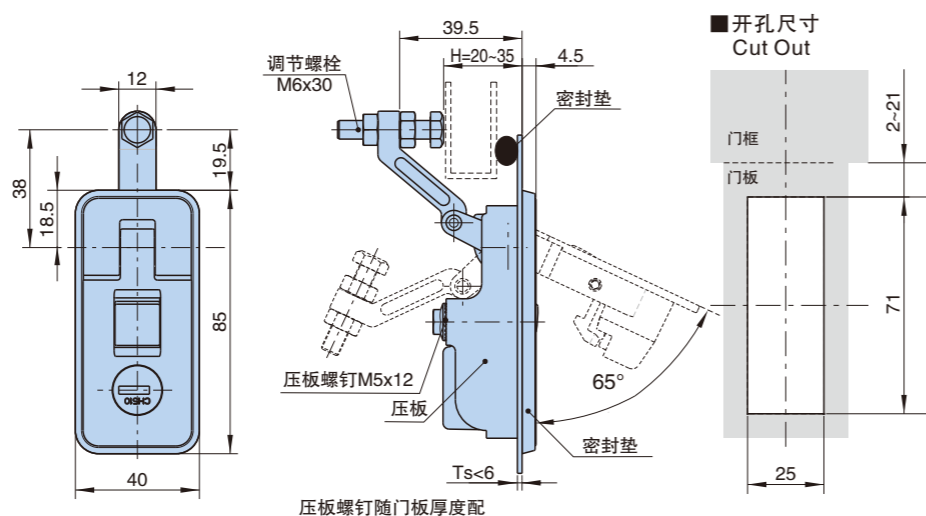
索引
Index

MS6018Z-2-1

压缩杠杆式平面锁 Compression Lever Plane Lock

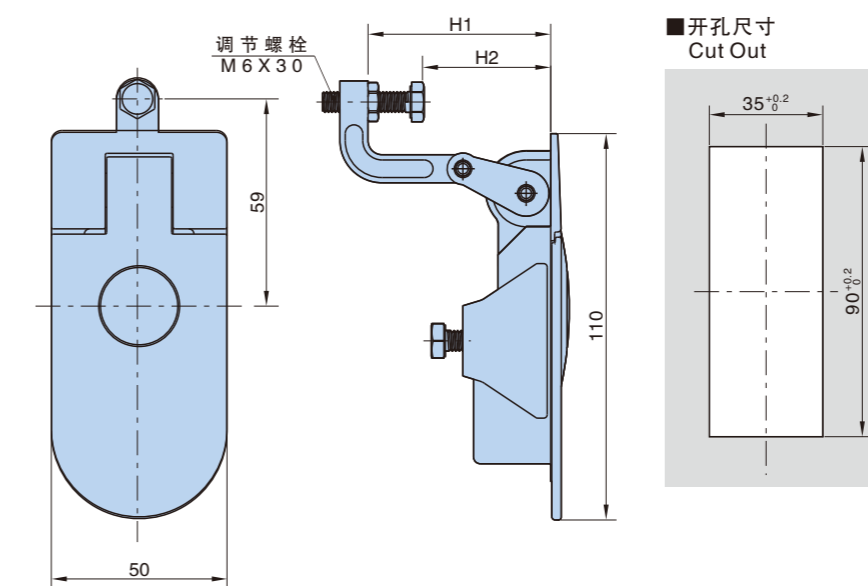
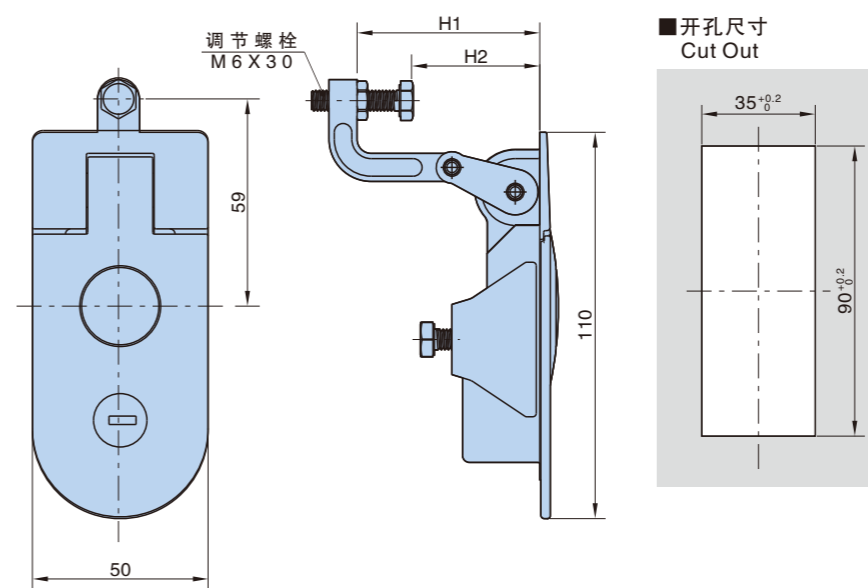


- 材质: 锌合金锁壳, 锁背, 按钮, 定位杆,A3安装板
- 表面处理: 镀亮铬, 喷沙纹黑
- 结构功能: 快速开启, 安装方便快捷,
- 调节螺母可适用各种止口范围
- 适用门板厚度: 1~6mm.
- Material: zinc alloy for the housing, handle, button and top lever, A3 for the mounting plate.
- Finish: bright chrome or sand grain black.
- Function: quick unlocking, easy installing, with auto scaling, adjust the screw to enable the hinge to the whole range of seam allowance.
- Panel thickness: 1~6mm.



型号 Product no.	锁芯 Insert	产品单重(g) Weight	装箱数 Lot
MS6018Z-2-1	CH510	290	100
MS6018Z-2-1A	CH751	289.5	100

压缩杠杆式平面锁 Compression Lever Plane Lock



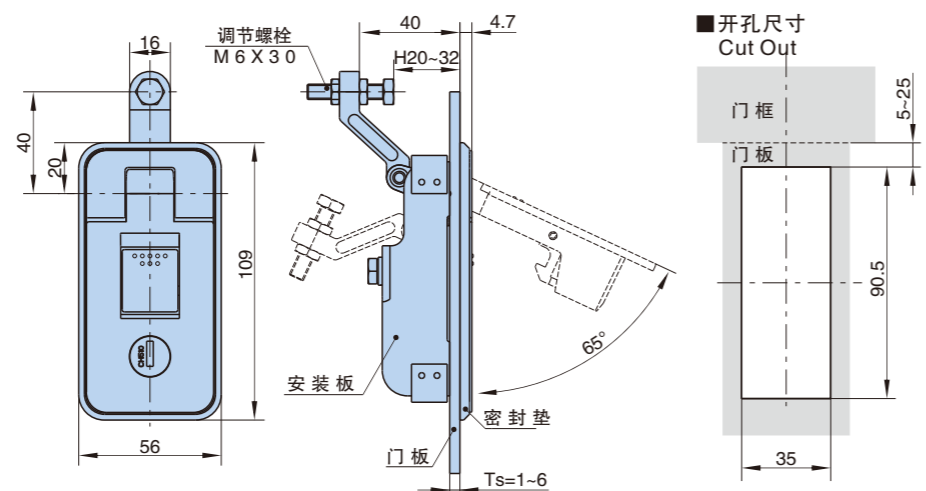
基本尺寸 Dimensions		产品型号及特性 Product Number					
H1	H2	有锁芯 With key	产品单重(g) Weight	装箱数 Lot	无锁芯 w/o key	产品单重(g) Weight	装箱数 Lot
21	0-15	MS609-1-1	357	50	MS609-1-2	350	50
52	30-45	MS609-1A-1	357	50	MS609-1A-2	350	50
67	45-60	MS609-1B-1	357	50	MS609-1B-2	350	50
35	15-30	MS609-1D-1	357	50	MS609-1D-2	350	50

MS6018Z-1-1

压缩杠杆式平面锁 Compression Lever Plane Lock



- 材质: 锌合金锁壳, 锁背, 按钮, 定位杆,A3安装板
- 表面处理: 镀亮铬, 喷沙纹黑
- 结构功能: 快速开启, 安装方便快捷,
- 调节螺母可适用各种止口范围
- 适用门板厚度: 1~6mm.
- Material: zinc alloy for the housing, handle, button and top lever, A3 for the mounting plate.
- Finish: bright chrome or sand grain black.
- Function: quick unlocking, easy installing, with auto scaling, adjust the screw to enable the hinge to the whole range of seam allowance.
- Panel thickness: 1~6mm.



型号 Product no.	产品单重(g) Weight	装箱数 Lot
MS6018Z-1-1	537.5	40

MS609



MS609-1-1

MS609-1-2

- 材质: 锌合金锁壳、锁背, 镀锌压板
- 表面处理: 喷无光黑
- 适用门板厚度: 1~5mm
- Material: Zinc die-casting
- Finish: Black powder coated
- Panel thickness: 1~5mm

A拉手系列 Handles series

B平面锁系列 Plane lock series

C连杆锁系列 Rod control series

D面板锁系列 Plane lock series

E执手锁系列 Handle lock series

F转舌锁系列 Cam lock series

G铰链系列 Hinge series

H搭扣锁系列 Toggle lock series

I门销系列 Door bolt series

J电子锁系列 Electronic lock series

K密封条系列 Gasketing series

L限位系列 Door stop series

M附件系列 Accessories series

N不锈钢件系列 Stainless steel series

索引 Index

A拉手系列 Handles series

B平面锁系列 Plane lock series

C连杆锁系列 Rod control series

D面板锁系列 Plane lock series

E执手锁系列 Handle lock series

F转舌锁系列 Cam lock series

G铰链系列 Hinge series

H搭扣锁系列 Toggle lock series

I门销系列 Door bolt series

J电子锁系列 Electronic lock series

K密封条系列 Gasketing series

L限位系列 Door stop series

M附件系列 Accessories series

N不锈钢件系列 Stainless steel series

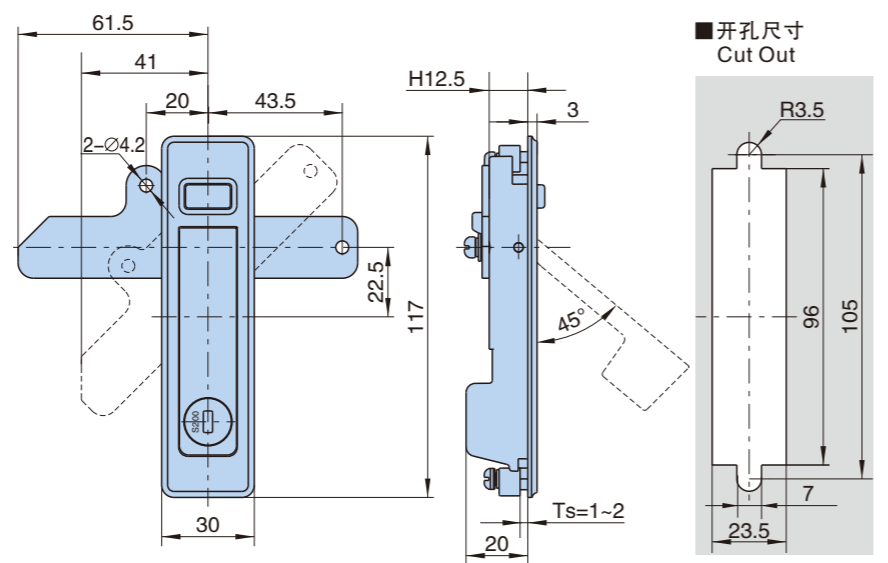
索引 Index

AB2011Z-1-1

按压杠杆式平面锁 Press Lever Plane Lock

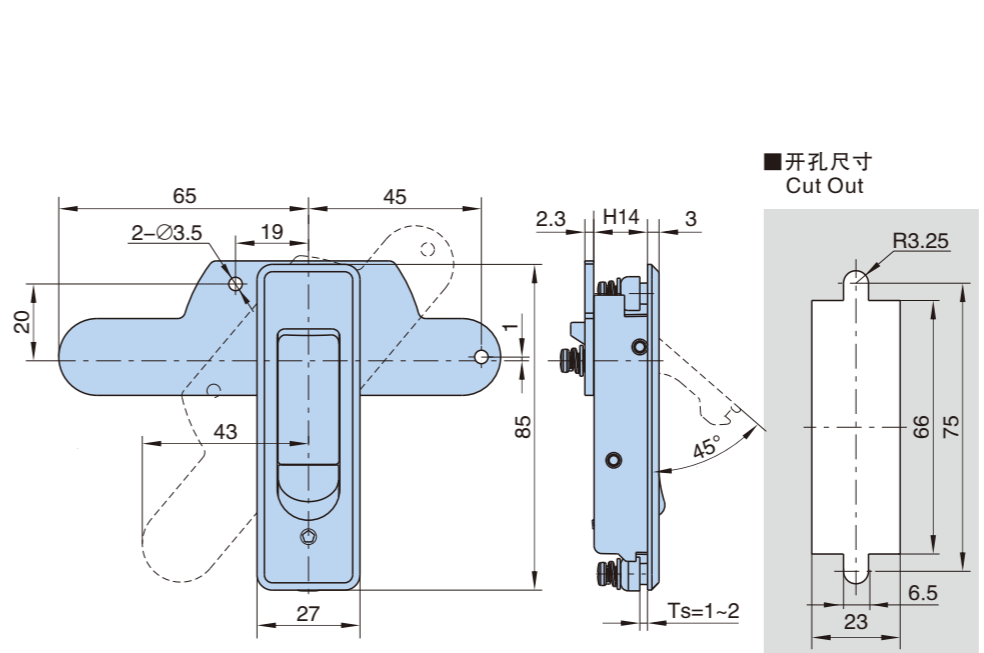


- 材质:锌合金锁体, 碳钢安装帽、锁片
- 表面处理: 镀沙铬, 配件镀蓝白锌
- 适用门板厚: 1~2mm
- 结构功能: 按下按钮, 手柄弹起45°, 实现开启或锁闭功能。
- 备注: 锁片翻转180°, 实现左右开门。(适用于平锁片)
- Material: zinc alloy for the housing, lock back, steel cam assembling plate.
- Finish: gray chrome plating for the body, blue-white zinc plating for the accessories.
- Panel thickness: 1~2mm
- Function: when press the button, the handle pop up 45° angle to lock and unlock.
- Remark: 180° reversal of the horizontal cam to right or left opening.



产品型号及特性 Product Number	产品单重(g) Weight	装箱数 Lot
有锁芯 with key AB2011Z-1-1	249.5	50
无锁芯 w/o key AB2011Z-1-2	242.5	50

按压杠杆式平面锁 Press Lever Plane Lock



产品型号及特性 Product Number	产品单重(g) Weight	装箱数 Lot
有锁芯 with key AB2013Z-1-1	222.3	80
无锁芯 w/o key AB2013Z-1-2	218.7	80

AB2013Z-1-1



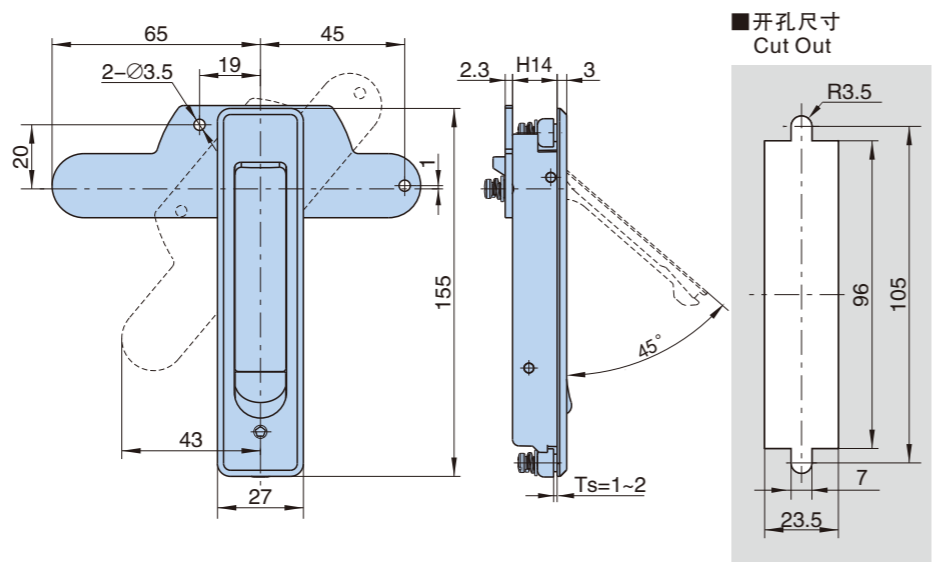
- 材质:锌合金锁体, 碳钢安装帽、锁片
- 表面处理: 镀沙铬, 配件镀蓝白锌
- 适用门板厚: 1~2mm
- 结构功能: 按下按钮, 手柄弹起45°, 实现开启或锁闭功能。
- 备注: 锁片翻转180°, 实现左右开门。(适用于平锁片)
- Material: zinc alloy for the housing, lock back, steel cam assembling plate.
- Finish: gray chrome plating for the body, blue-white zinc plating for the accessories.
- Panel thickness: 1~2mm
- Function: when press the button, the handle pop up 45° angle to lock and unlock.
- Remark: 180° reversal of the horizontal cam to right or left opening.

AB2012Z-1-1

按压杠杆式平面锁 Press Lever Plane Lock

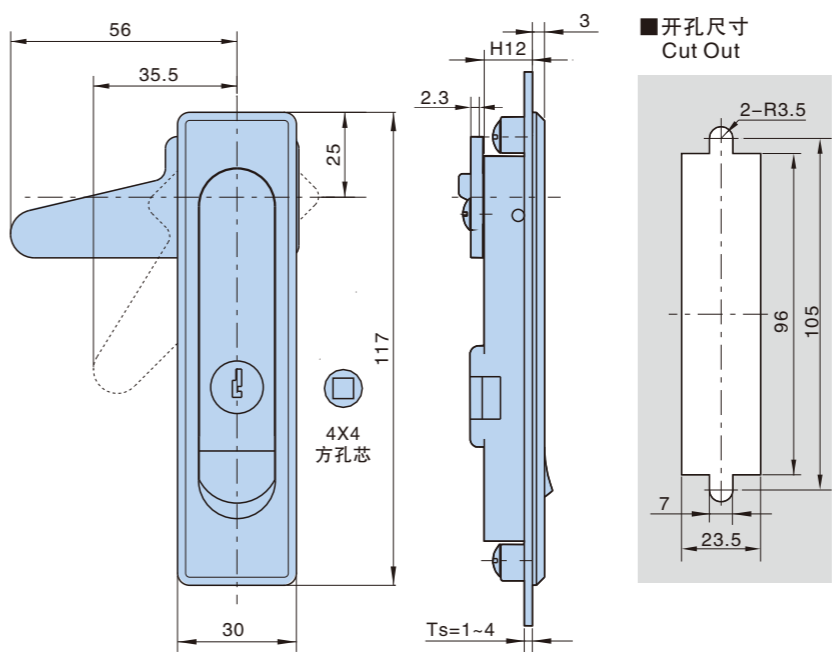


- 材质:锌合金锁体, 碳钢安装帽、锁片
- 表面处理: 镀沙铬, 配件镀蓝白锌
- 适用门板厚: 1~2mm
- 结构功能: 按下按钮, 手柄弹起45°, 实现开启或锁闭功能。
- 备注: 锁片翻转180°, 实现左右开门。(适用于平锁片)
- Material: zinc alloy for the housing, lock back, steel cam assembling plate.
- Finish: gray chrome plating for the body, blue-white zinc plating for the accessories.
- Panel thickness: 1~2mm
- Function: when press the button, the handle pop up 45° angle to lock and unlock.
- Remark: 180° reversal of the horizontal cam to right or left opening.



产品型号及特性 Product Number	产品单重(g) Weight	装箱数 Lot
有锁芯 with key AB2012Z-1-1	257.4	80
无锁芯 w/o key AB2012Z-1-2	257.2	80

按压杠杆式平面锁 Press Lever Plane Lock



表面处理方式 Finish	产品型号及特性 Product Number								
	K0510	产品单重(g) Weight	装箱数 Lot	方孔芯	产品单重(g) Weight	装箱数 Lot	无锁芯	产品单重(g) Weight	装箱数 Lot
镀沙铬 Gray chrome plating	MS504-1-1.2	210	150	MS504-1-1A.2	213	150	MS504-1-2.2	207	150
喷无光黑 Black powder coated	MS504-1-1.3	210	150	MS504-1-1A.3	213	150	MS504-1-2.3	207	150

MS504-1-1



- 材质: 锌合金锁体、镀锌压板、锁片
- 表面处理: 镀沙铬
- 适用门板厚度: 1~3mm
- 备注: 锁片翻转180°, 实现左右开门。(适用于平锁片)
- Material: Zinc die-casting body, Zinc plating cam, fixing parts
- Finish: Gray chrome plating
- Panel thickness: 1~3mm
- Remark: 180° reversal of the horizontal cam to right or left opening.

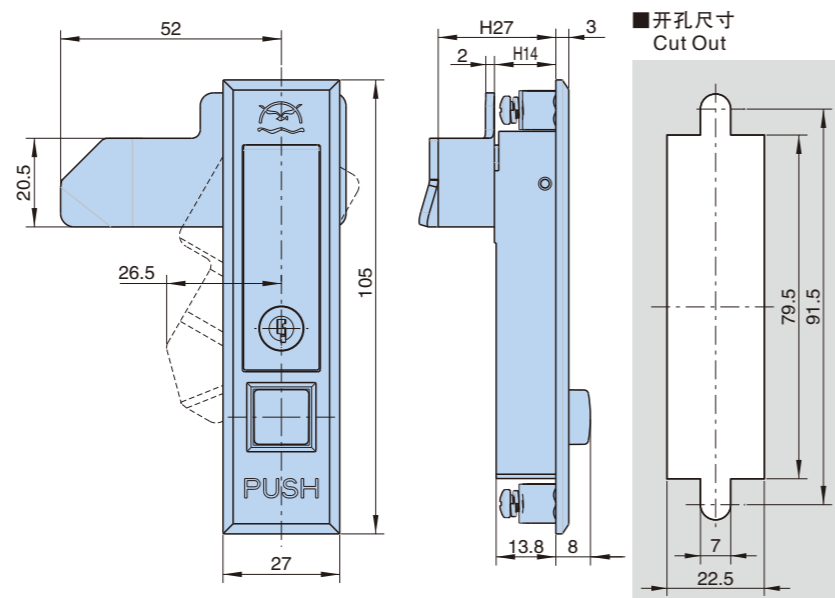
MS501-2-1

按压杠杆式平面锁 Press Lever Plane Lock

RL

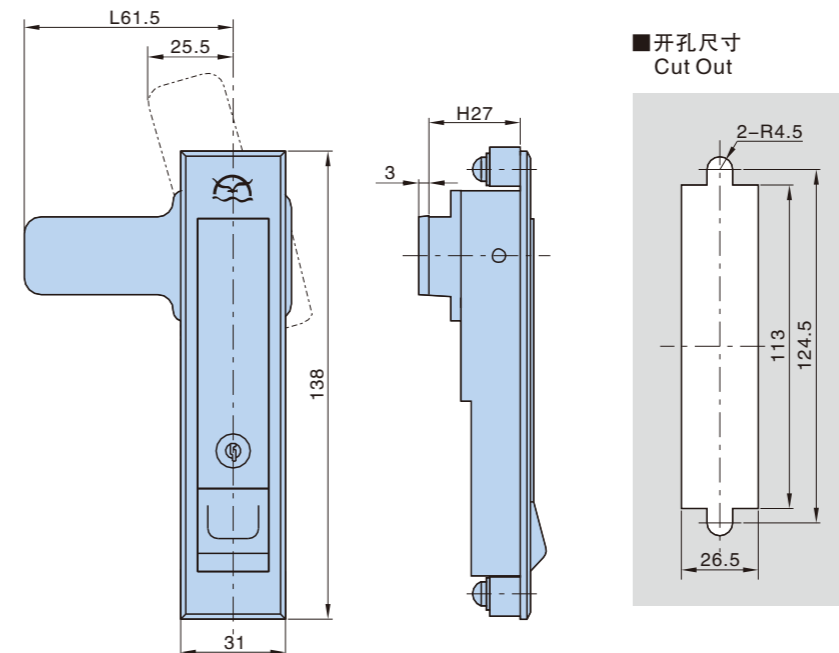


- 材质: 锌合金锁体、镀锌压板、锁片
- 表面处理: 镀亮铬
- 适用门板厚度: 1~3mm
- 备注: 锁片有左右之分
- Material: Zinc die-casting body, Zinc plating cam, fixing parts
- Finish: Bright chrome plating
- Panel thickness: 1~3mm
- Remark: Left cam and right cam are available



型号 Product no.	产品单重(g) Weight	装箱数 Lot
MS501-2-1L	320	100
MS501-2-1R	320	100

按压杠杆式平面锁 Press Lever Plane Lock



型号 Product no.	产品单重(g) Weight	装箱数 Lot
MS502-1-1L	313	100
MS502-1-1R	313	100

MS502-1-1

RL



- 材质: 锌合金锁体、镀锌压板、锁片
- 表面处理: 喷沙镀铬
- 适用门板厚度: 1~3mm
- 备注: 锁片有左右之分
- Material: Zinc die-casting body, Zinc plating cam, fixing parts
- Finish: Pocked chrome plating
- Panel thickness: 1~3mm
- Remark: Left cam and right cam are available

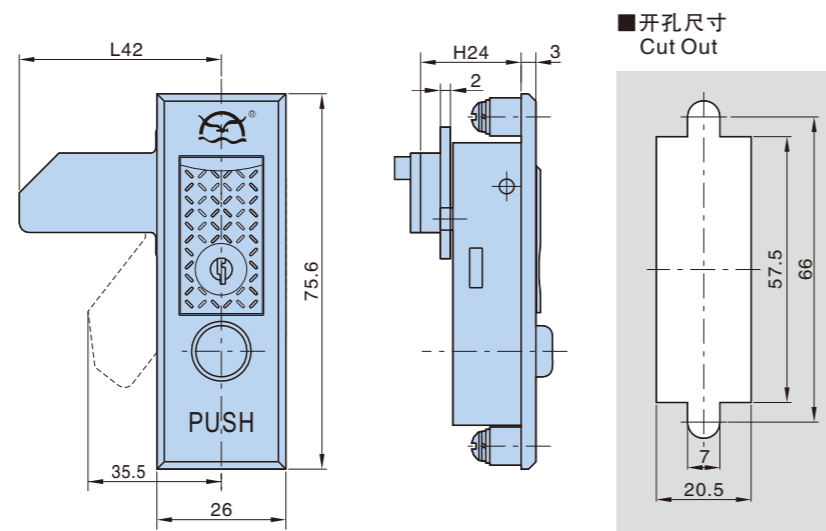
MS506

按压杠杆式平面锁 Press Lever Plane Lock

RL

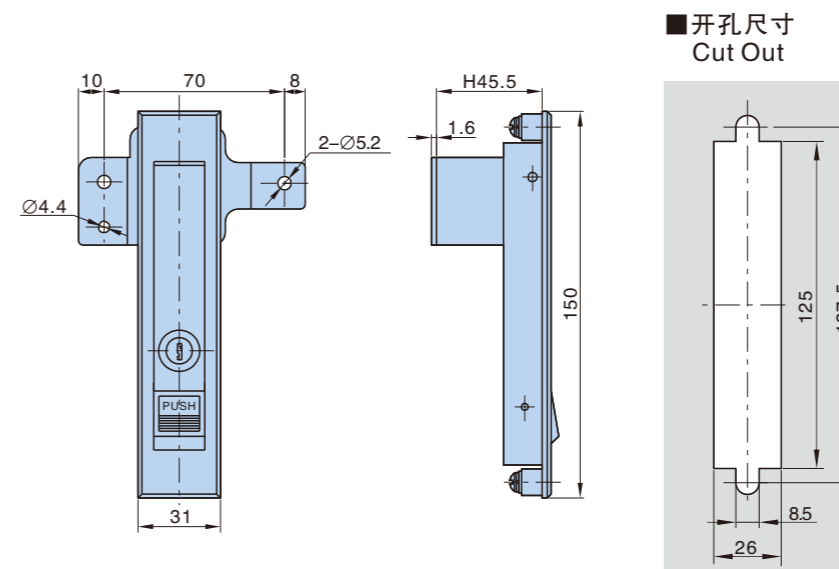


- 材质: 锌合金锁体、镀锌压板、锁片
- 表面处理: 喷沙镀铬
- 适用门板厚度: 1~3mm
- 备注: 锁片有左右之分
- Material: Zinc die-casting body, M.S.Zinc plating cam, fixing parts
- Finish: Pocked chrome plating
- Panel thickness: 1~3mm
- Remark: Left cam and right cam are available



型号 Product no.	产品单重(g) Weight	装箱数 Lot
MS506	120	200

按压杠杆式平面锁 Press Lever Plane Lock



型号 Product no.	产品单重(g) Weight	装箱数 Lot
MS701	315	60

MS701

RL



- 材质: 锌合金锁体、镀锌压板、锁片
- 表面处理: 喷沙镀铬
- 适用门板厚度: 1~3mm
- Material: Zinc die-casting body Zinc plating cam, fixing parts
- Finish: Pocked chrome plating
- Panel thickness: 1~3mm

A拉手系列
Handles series

B平面锁系列
Plane lock series

C连杆锁系列
Rod control series

D面板锁系列
Plane lock series

E执手锁系列
Handle lock series

F转舌锁系列
Cam lock series

G铰链系列
Hinge series

H搭扣锁系列
Toggle lock series

I门销系列
Door bolt series

J电子锁系列
Electronic lock series

K密封条系列
Gasketing series

L限位系列
Door stop series

M附件系列
Accessories series

N不锈钢件系列
Stainless steel series

索引
Index

A拉手系列
Handles series

B平面锁系列
Plane lock series

C连杆锁系列
Rod control series

D面板锁系列
Plane lock series

E执手锁系列
Handle lock series

F转舌锁系列
Cam lock series

G铰链系列
Hinge series

H搭扣锁系列
Toggle lock series

I门销系列
Door bolt series

J电子锁系列
Electronic lock series

K密封条系列
Gasketing series

L限位系列
Door stop series

M附件系列
Accessories series

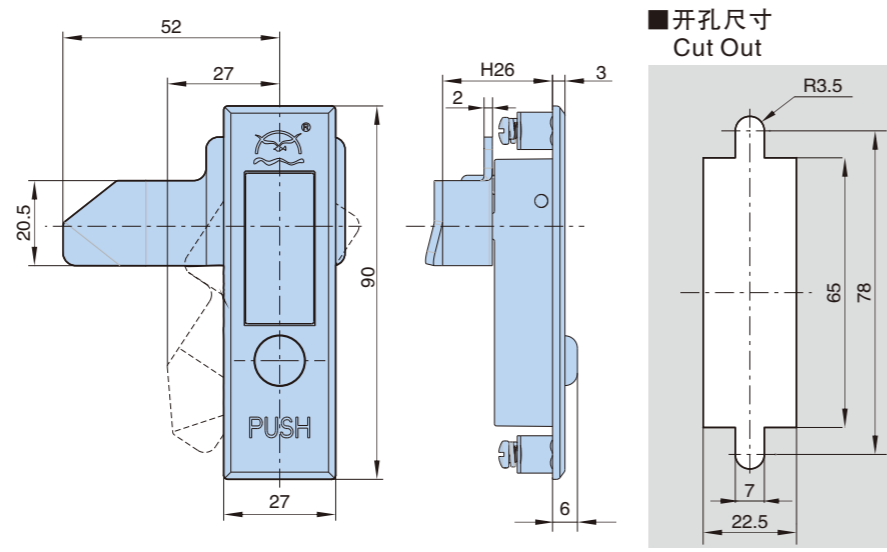
N不锈钢件系列
Stainless steel series

索引
Index

MS503

按压杠杆式平面锁 Press Lever Plane Lock

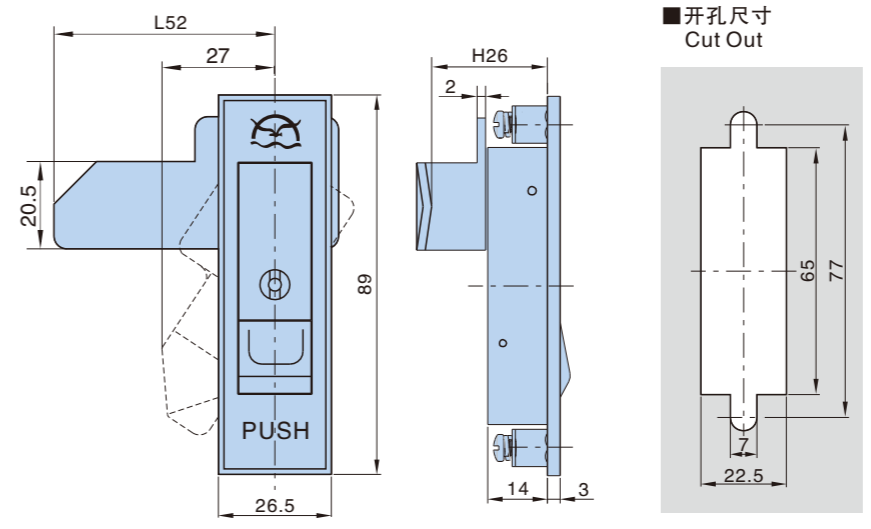
RL



- 材质: 锌合金锁体、镀锌压板、锁片
- 表面处理: 镀亮铬
- 适用门板厚度: 1~3mm
- 备注: 锁片有左右之分
- Material: Zinc die-casting body, Zinc plating cam, fixing parts
- Finish: Bright chrome plating
- Panel thickness: 1~3mm
- Remark: Left cam and right cam are available

产品型号及特性 Product Number		产品单重(g) Weight	装箱数 Lot
圆按钮 (锌合金) circular push button (zinc die-casting)	MS503-1-2L	145	200
	MS503-1-2R	145	200

按压杠杆式平面锁 Press Lever Plane Lock



型号 Product no.	产品单重(g) Weight	装箱数 Lot
MS503-1-1L	143.5	200
MS503-1-1R	143.5	200

MS503

RL

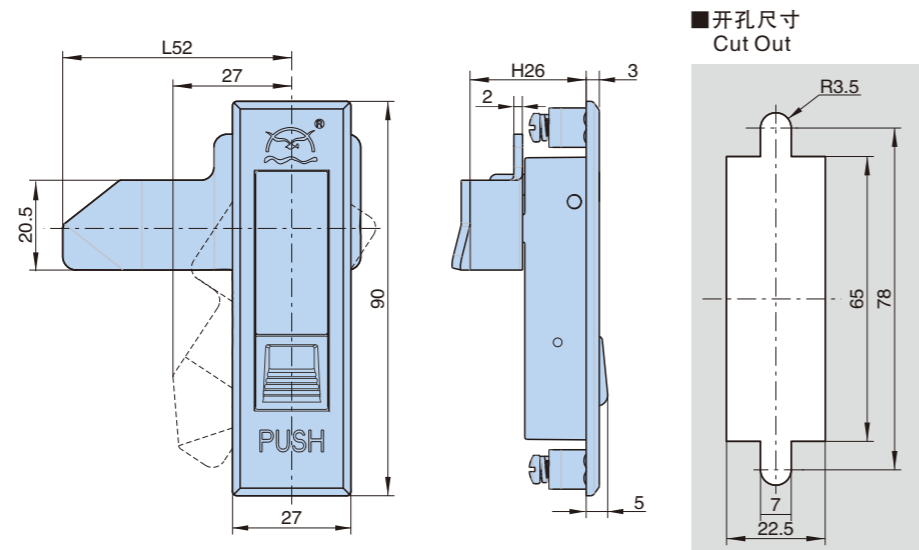


- 材质: 锌合金锁体、镀锌压板、锁片
- 表面处理: 喷沙镀铬
- 适用门板厚度: 1~3mm
- 备注: 锁片有左右之分
- Material: Zinc die-casting body, Zinc plating cam, fixing parts
- Finish: Pocked chrome plating
- Panel thickness: 1~3mm
- Remark: Left cam and right cam are available

MS503

按压杠杆式平面锁 Press Lever Plane Lock

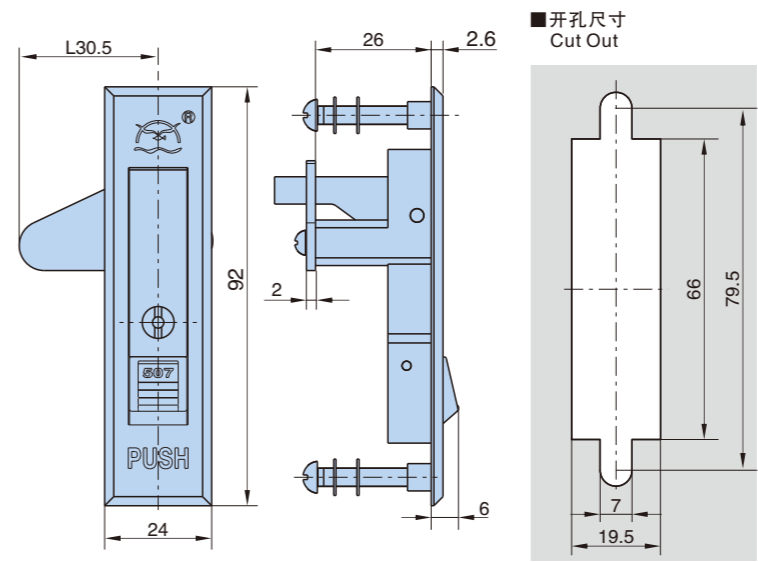
RL



- 材质: 锌合金锁体、镀锌压板、锁片
- 表面处理: 镀亮铬
- 适用门板厚度: 1~3mm
- 备注: 锁片有左右之分
- Material: Zinc die-casting body, Zinc plating cam, fixing parts
- Finish: Bright chrome plating
- Panel thickness: 1~3mm
- Remark: Left cam and right cam are available

产品型号及特性 Product Number		产品单重(g) Weight	装箱数 Lot
红按钮 (塑料) red button (plastic)	MS503-1-2AL	121	200
	MS503-1-2AR	121	200

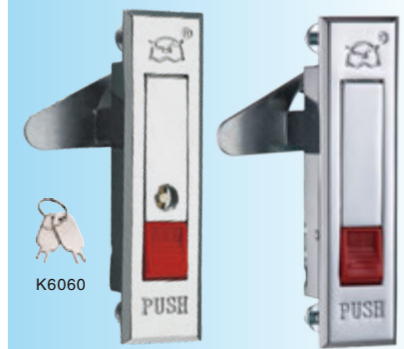
按压杠杆式平面锁 Press Lever Plane Lock



型号 Product no.	产品单重(g) Weight	装箱数 Lot
MS510-1-1	110	200
MS510-1-2	105	200

MS510

RL



- 材质: 锌合金锁体、镀锌压板、锁片
- 表面处理: 镀亮铬, 仿沙铬喷漆
- 适用门板厚度: 1~20mm
- 备注: 折弯锁片有左右之分
- Material: Zinc die-casting body, Zinc plating cam, fixing parts
- Finish: Bright chrome plating, Gray spray paint
- Panel thickness: 1~20mm
- Remark: Left cam and right cam are available

A拉手系列
Handles series

B平面锁系列
Plane lock series

C连杆锁系列
Rod control series

D面板锁系列
Plane lock series

E执手锁系列
Handle lock series

F转舌锁系列
Cam lock series

G铰链系列
Hinge series

H搭扣锁系列
Toggle lock series

I门销系列
Door bolt series

J电子锁系列
Electronic lock series

K密封条系列
Gasketing series

L限位系列
Door stop series

M附件系列
Accessories series

N不锈钢件系列
Stainless steel series

索引
Index

A拉手系列
Handles series

B平面锁系列
Plane lock series

C连杆锁系列
Rod control series

D面板锁系列
Plane lock series

E执手锁系列
Handle lock series

F转舌锁系列
Cam lock series

G铰链系列
Hinge series

H搭扣锁系列
Toggle lock series

I门销系列
Door bolt series

J电子锁系列
Electronic lock series

K密封条系列
Gasketing series

L限位系列
Door stop series

M附件系列
Accessories series

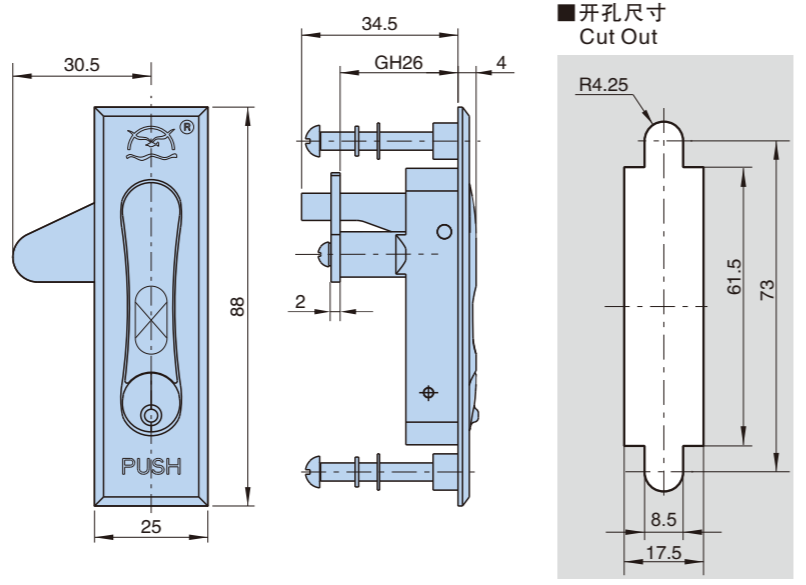
N不锈钢件系列
Stainless steel series

索引
Index

MS510-1-2A

按压杠杆式平面锁 Press Lever Plane Lock

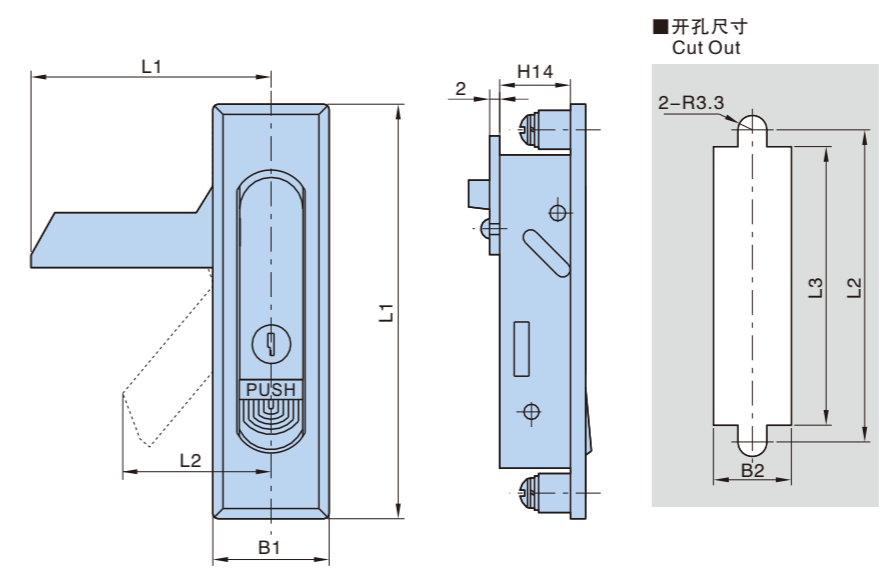
RL



- 材质: ABS锁体、镀锌压板、锁片
- 表面处理: 喷漆灰
- 适用门板厚度: 1~20mm
- 备注: 折弯锁片有左右之分
- Material: ABS lock body, galvanized plate, lock plate
- Finish: Gray spray paint
- Panel thickness: 1~20mm
- Remark: Left cam and right cam are available

型号 Product no.	产品单重(g) Weight	装箱数 Lot
MS510-1-2A	36	500

按压杠杆式平面锁 Press Lever Plane Lock



基本尺寸 Dimensions								产品型号及特性 Product Number					
L1	L2	L3	B1	B2	L1	L2	有锁芯 With key	产品单重(g) Weight	装箱数 Lot	无锁芯 w/o key	产品单重(g) Weight	装箱数 Lot	
115	103.5	94	28	23	66	39.5	MS507-1-1	175	100	MS507-1-2	180	100	
82	70	62.5	23	17.5	47	21.5	MS507-2-1	90	300	MS507-2-2	95	300	

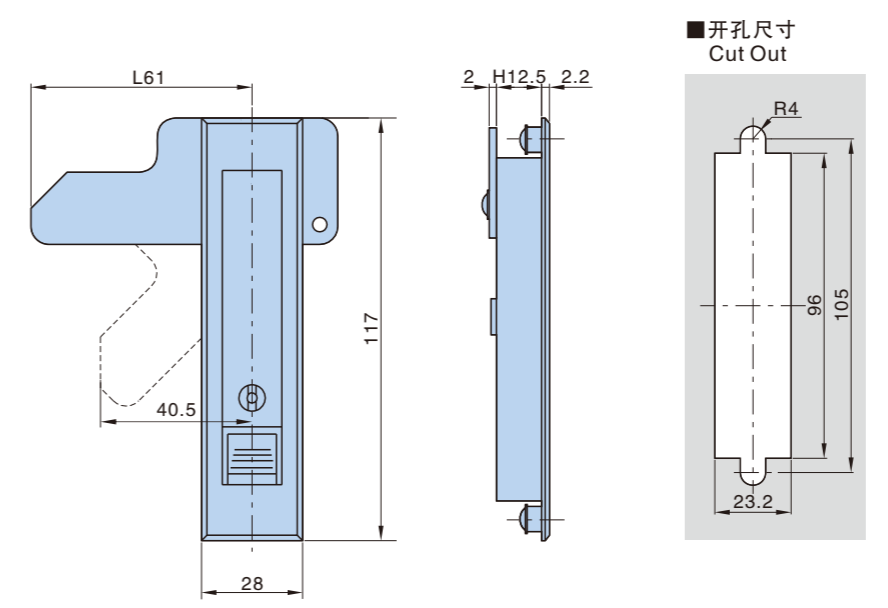
MS507

RL



- 材质: 锌合金锁体、镀锌压板、锁片
- 表面处理: 镀亮铬
- 适用门板厚度: 1~3mm
- Material: Zinc die-casting body, Zinc plating cam, fixing parts
- Finish: Bright chrome plating
- Panel thickness: 1~3mm

按压杠杆式平面锁 Press Lever Plane Lock



产品型号及特性 Product Number			产品单重(g) Weight	装箱数 Lot
白按钮 White button	有锁芯 with key	MS502-2-1W	149	100
	无锁芯 w/o key	MS502-2-2W	149	100
红按钮 Red button	有锁芯 with key	MS502-2-1R	149	100
	无锁芯 w/o key	MS502-2-2R	149	100

MS502

RL

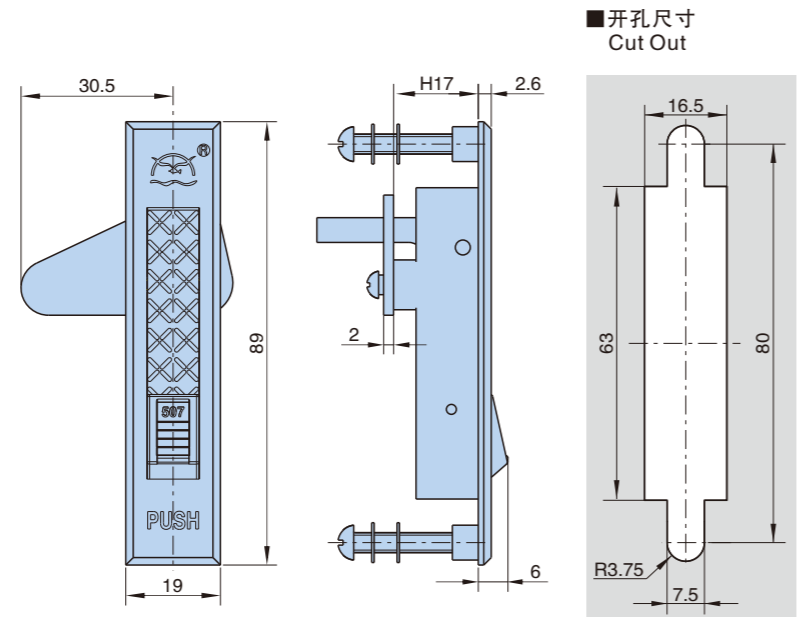


- 材质: 锌合金锁体、镀锌压板、锁片
- 表面处理: 喷沙镀铬
- 适用门板厚度: 1~3mm
- Material: Zinc die-casting body, Zinc plating cam
- Finish: Pocked chrome plating
- Panel thickness: 1~3mm

MS510-2-2

按压杠杆式平面锁 Press Lever Plane Lock

RL



- 材质: 锌合金锁体、镀锌压板、锁片
- 表面处理: 镀亮铬
- 适用门板厚度: 1~20mm
- 备注: 折弯锁片有左右之分
- Material: Zinc die-casting body, Zinc plating cam, fixing parts
- Finish: Bright chrome plating, Gray spray paint
- Panel thickness: 1~20mm
- Remark: Left cam and right cam are available

型号 Product no.	产品单重(g) Weight	装箱数 Lot
MS510-2-2	76	240

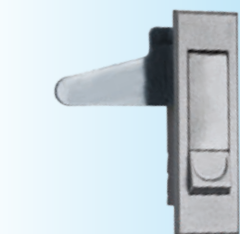
MS601

按压杠杆式平面锁 Press Lever Plane Lock

RL

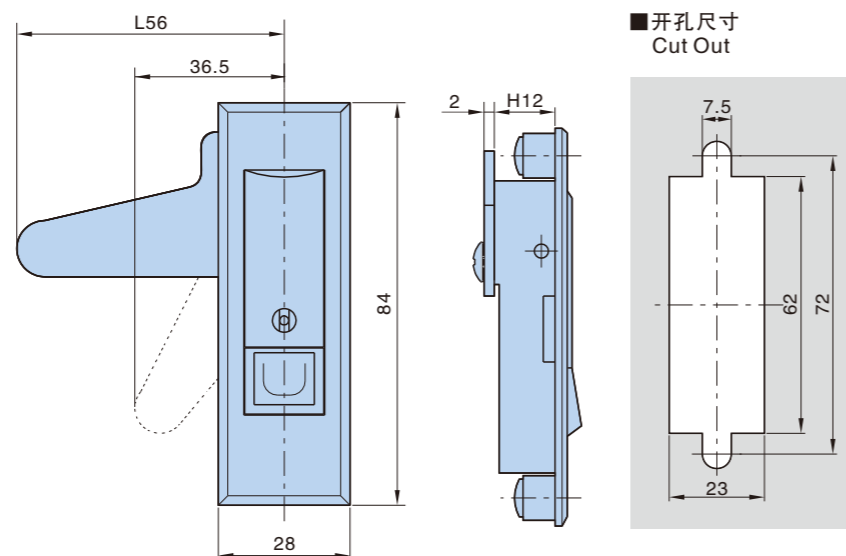


MS601-3-1



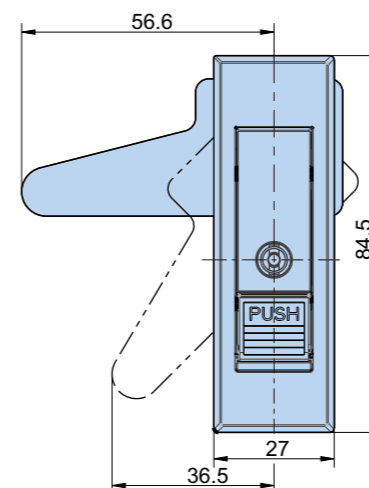
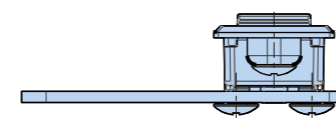
MS601-3-2

- 材质: 锌合金锁体、镀锌压板、锁片
- 表面处理: 喷沙镀铬
- 适用门板厚度: 1~3mm
- Material: Zinc die-casting body, Zinc plating cam, fixing parts
- Finish: Pocked chrome plating
- Panel thickness: 1~3mm

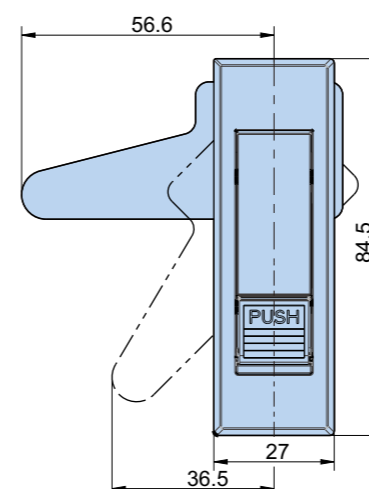
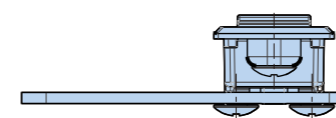


产品型号及特性 Product Number		产品单重(g) Weight	装箱数 Lot
有锁芯 With key	MS601-3-1	103	200
无锁芯 w/o key	MS601-3-2	99.5	200

按压杠杆式平面锁 Press Lever Plane Lock



有锁芯 with key



无锁芯 w/o key

产品型号及特性 Product Number		产品单重(g) Weight	装箱数 Lot
白按钮(锌合金) White button	有锁芯 with key	MS603-2A-1W	120
	无锁芯 w/o key	MS603-2A-2W	115
红按钮(塑料) Red button	有锁芯 with key	MS603-2A-1R	112
	无锁芯 w/o key	MS603-2A-2R	112

MS603-2A

RL NEW



MS603-2A-1W



MS603-2A-1R



MS603-2A-2W



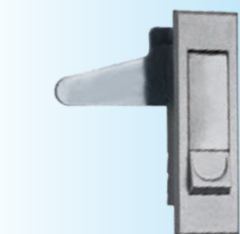
MS603-2A-2R

- 材质: 锌合金锁壳, 锁背, ABS红色按钮, 碳钢锁片.
- 表面处理: 喷砂镀铬.
- 结构功能: 快速开启, 安装方便快捷;
- 适用门板厚度: 1~3mm.
- 备注: 锁片翻转180°, 实现左右开门。(适用于平锁片)
- Material: Zinc alloy, ABS red Push bottom, steel cam.
- Finish: pocked chrome plated.
- Panel thickness: 1~3mm.
- Remark: 180° reversal of the horizontal cam to right or left opening.

RL

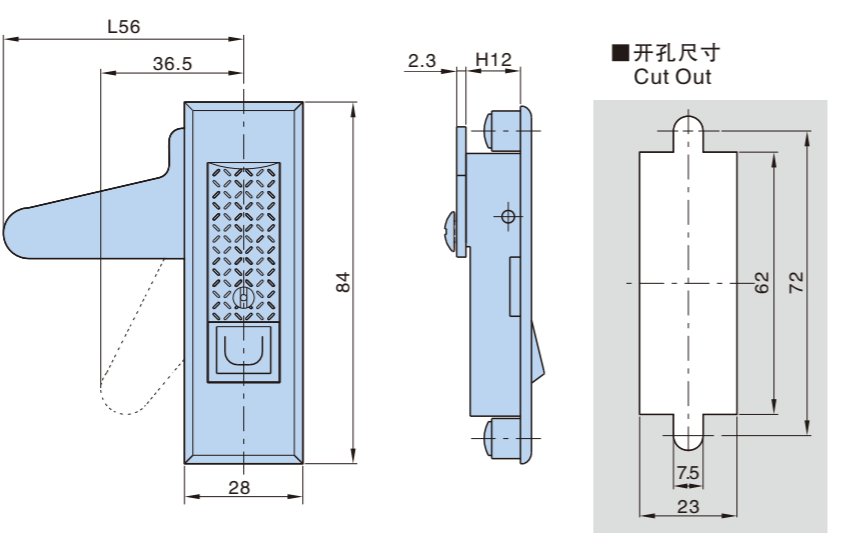


MS602-3-1



MS602-3-1

- 材质: 锌合金锁体、镀锌压板、锁片
- 表面处理: 喷沙镀铬
- 适用门板厚度: 1~3mm
- Material: Zinc die-casting body, Zinc plating cam, fixing parts
- Finish: Pocked chrome plating
- Panel thickness: 1~3mm

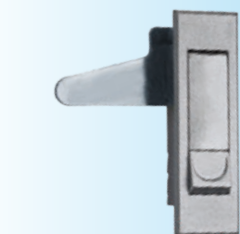


型号 Product no.	产品单重(g) Weight	装箱数 Lot
MS602-3-1	104	200

RL

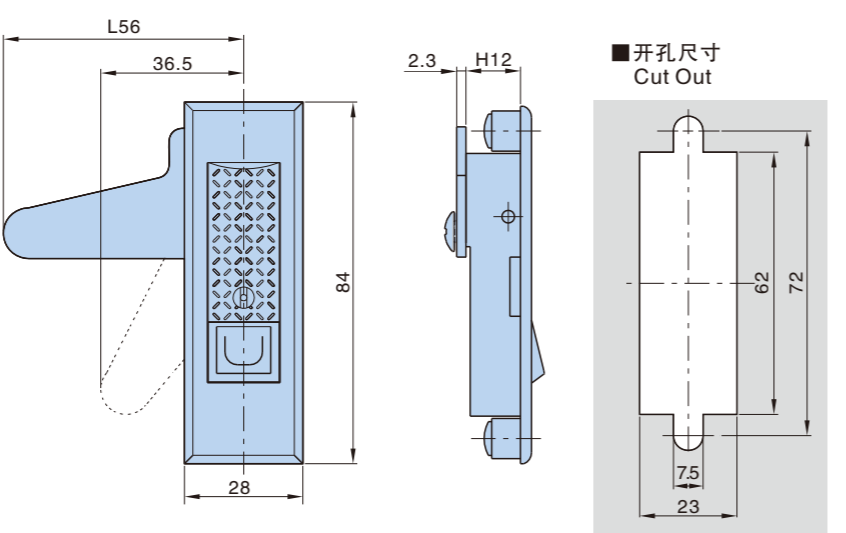


MS602-3-1



MS602-3-1

- 材质: 锌合金锁体、镀锌压板、锁片
- 表面处理: 喷沙镀铬
- 适用门板厚度: 1~3mm
- Material: Zinc die-casting body, Zinc plating cam, fixing parts
- Finish: Pocked chrome plating
- Panel thickness: 1~3mm

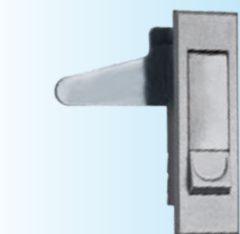


型号 Product no.	产品单重(g) Weight	装箱数 Lot
MS602-3-1	104	200

RL

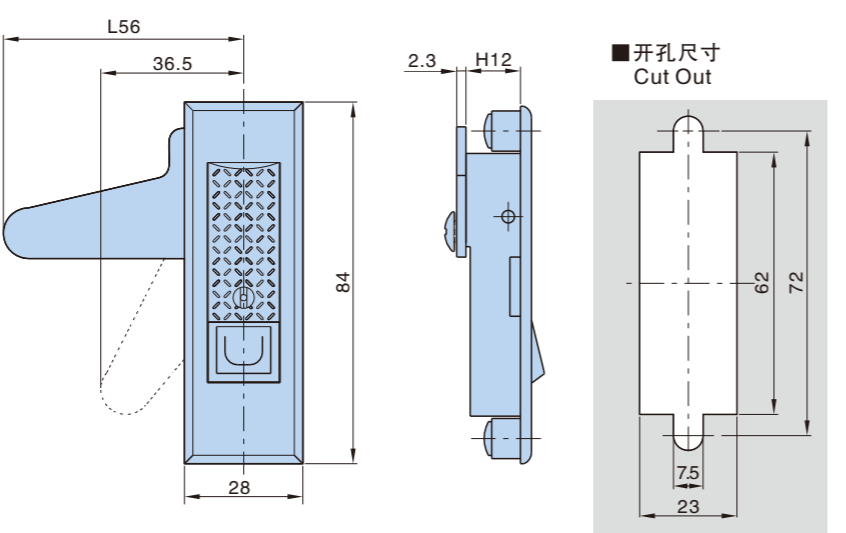


MS602-3-1



MS602-3-1

- 材质: 锌合金锁体、镀锌压板、锁片
- 表面处理: 喷沙镀铬
- 适用门板厚度: 1~3mm
- Material: Zinc die-casting body, Zinc plating cam, fixing parts
- Finish: Pocked chrome plating
- Panel thickness: 1~3mm

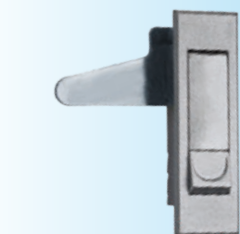


型号 Product no.	产品单重(g) Weight	装箱数 Lot
MS602-3-1	104	200

RL

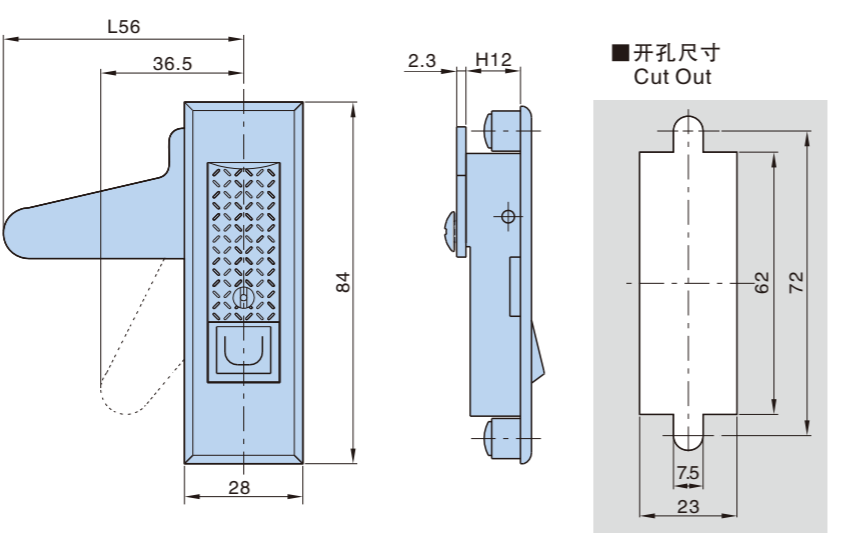


MS602-3-1



MS602-3-1

- 材质: 锌合金锁体、镀锌压板、锁片
- 表面处理: 喷沙镀铬
- 适用门板厚度: 1~3mm
- Material: Zinc die-casting body, Zinc plating cam, fixing parts
- Finish: Pocked chrome plating
- Panel thickness: 1~3mm

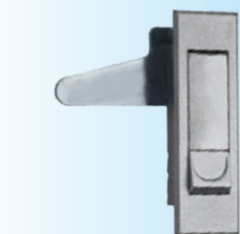


型号 Product no.	产品单重(g) Weight	装箱数 Lot
MS602-3-1	104	200

RL

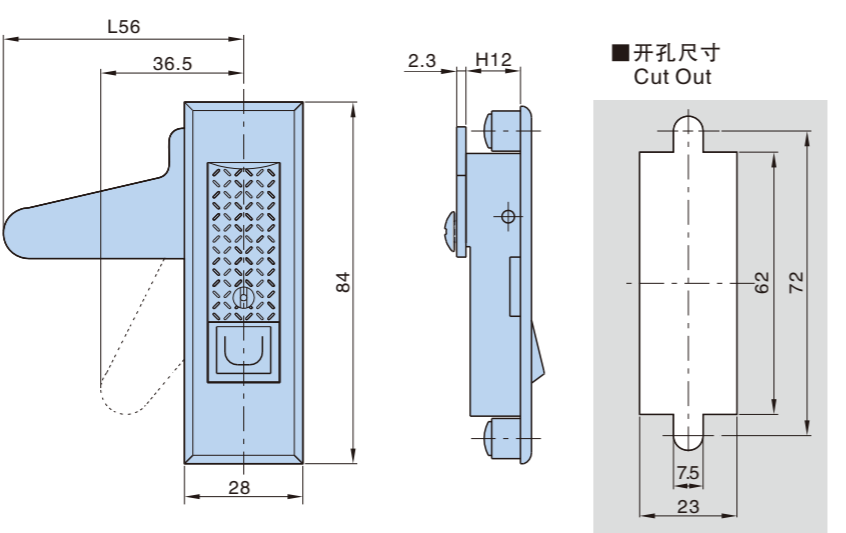


MS602-3-1



MS602-3-1

- 材质: 锌合金锁体、镀锌压板、锁片
- 表面处理: 喷沙镀铬
- 适用门板厚度: 1~3mm
- Material: Zinc die-casting body, Zinc plating cam, fixing parts
- Finish: Pocked chrome plating
- Panel thickness: 1~3mm

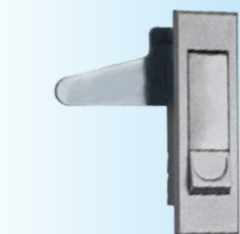


型号 Product no.	产品单重(g) Weight	装箱数 Lot
MS602-3-1	104	200

RL

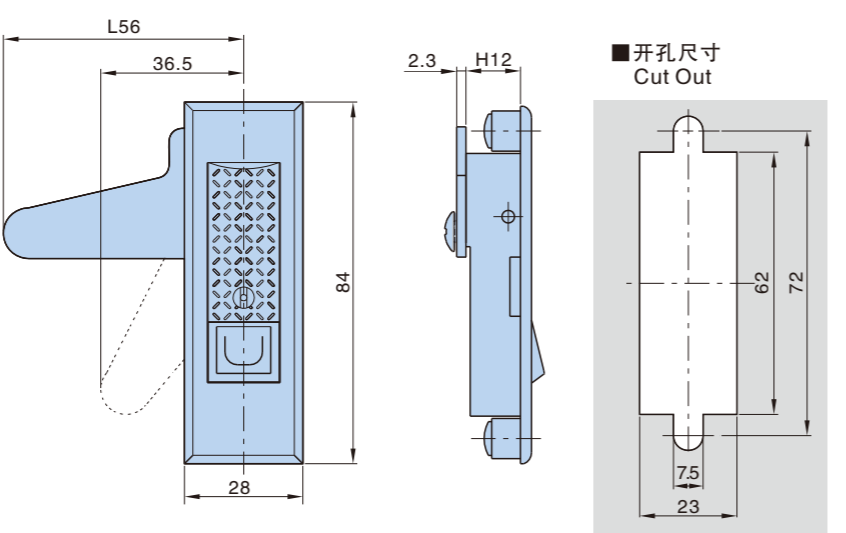


MS602-3-1



MS602-3-1

- 材质: 锌合金锁体、镀锌压板、锁片
- 表面处理: 喷沙镀铬
- 适用门板厚度: 1~3mm
- Material: Zinc die-casting body, Zinc plating cam, fixing parts
- Finish: Pocked chrome plating
- Panel thickness: 1~3mm

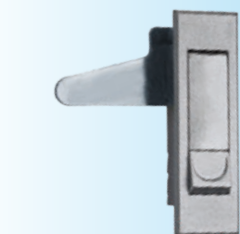


型号 Product no.	产品单重(g) Weight	装箱数 Lot
MS602-3-1	104	200

RL

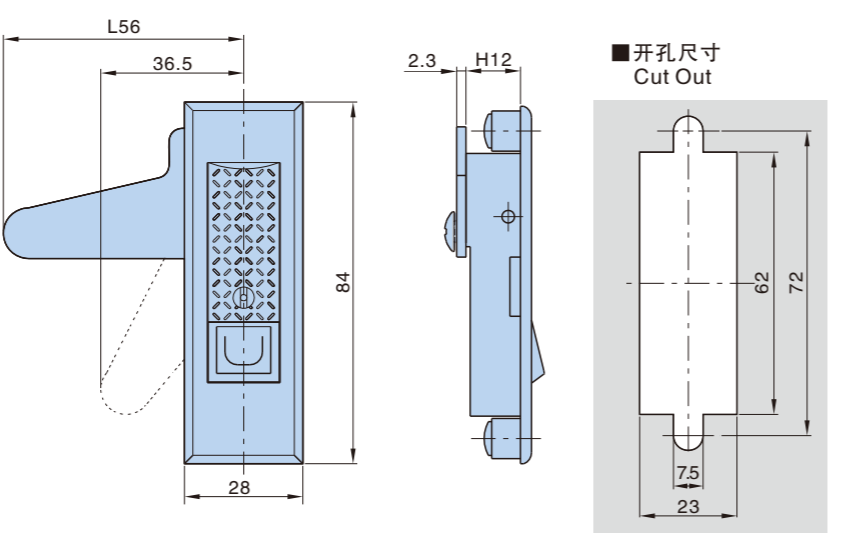


MS602-3-1



MS602-3-1

- 材质: 锌合金锁体、镀锌压板、锁片
- 表面处理: 喷沙镀铬
- 适用门板厚度: 1~3mm
- Material: Zinc die-casting body, Zinc plating cam, fixing parts
- Finish: Pocked chrome plating
- Panel thickness: 1~3mm

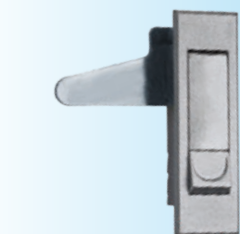


型号 Product no.	产品单重(g) Weight	装箱数 Lot
MS602-3-1	104	200

RL

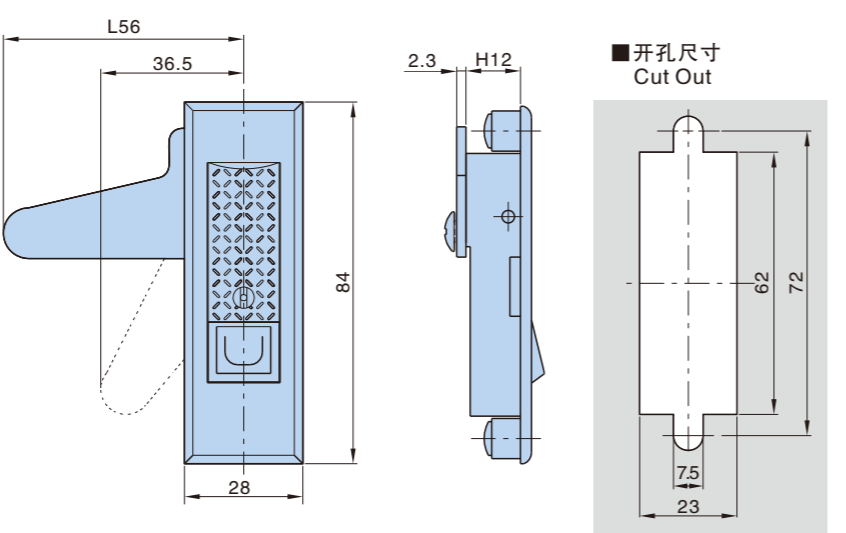


MS602-3-1



MS602-3-1

- 材质: 锌合金锁体、镀锌压板、锁片
- 表面处理: 喷沙镀铬
- 适用门板厚度: 1~3mm
- Material: Zinc die-casting body, Zinc plating cam, fixing parts
- Finish: Pocked chrome plating
- Panel thickness: 1~3mm

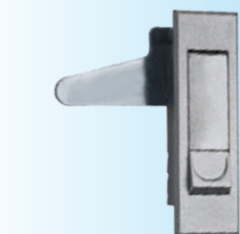


型号 Product no.	产品单重(g) Weight	装箱数 Lot
MS602-3-1	104	200

RL

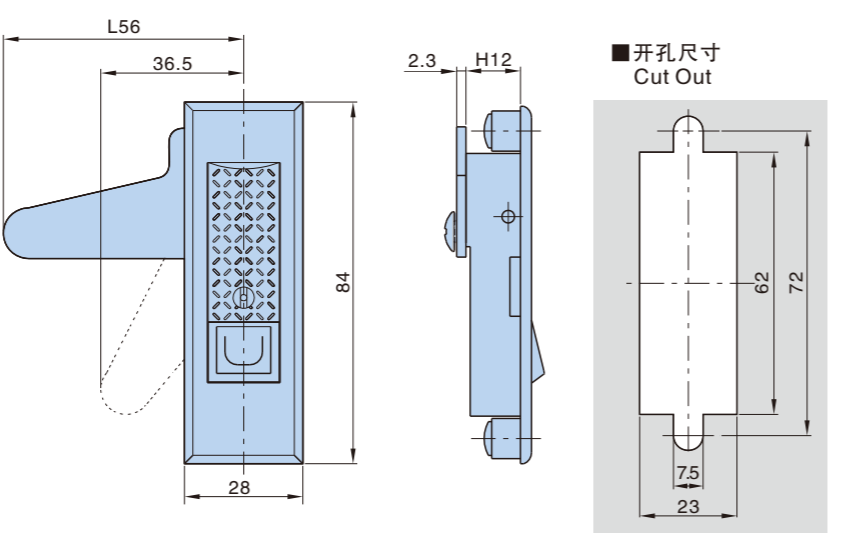


MS602-3-1



MS602-3-1

- 材质: 锌合金锁体、镀锌压板、锁片
- 表面处理: 喷沙镀铬
- 适用门板厚度: 1~3mm
- Material: Zinc die-casting body, Zinc plating cam, fixing parts
- Finish: Pocked chrome plating
- Panel thickness: 1~3mm

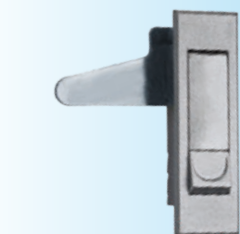


型号 Product no.	产品单重(g) Weight	装箱数 Lot
MS602-3-1	104	200

RL

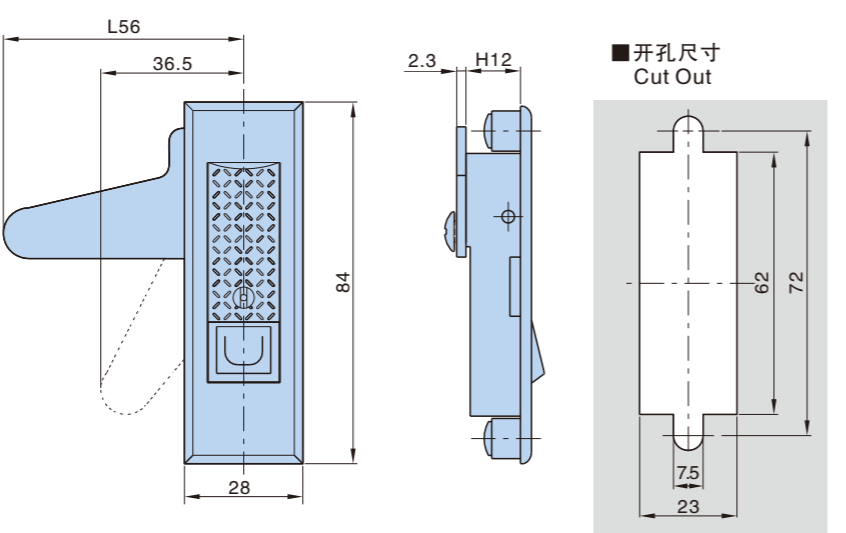


MS602-3-1



MS602-3-1

- 材质: 锌合金锁体、镀锌压板、锁片
- 表面处理: 喷沙镀铬
- 适用门板厚度: 1~3mm
- Material: Zinc die-casting body, Zinc plating cam, fixing parts
- Finish: Pocked chrome plating
- Panel thickness: 1~3mm

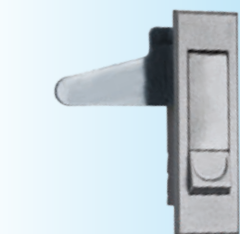


型号 Product no.	产品单重(g) Weight	装箱数 Lot
MS602-3-1	104	200

RL

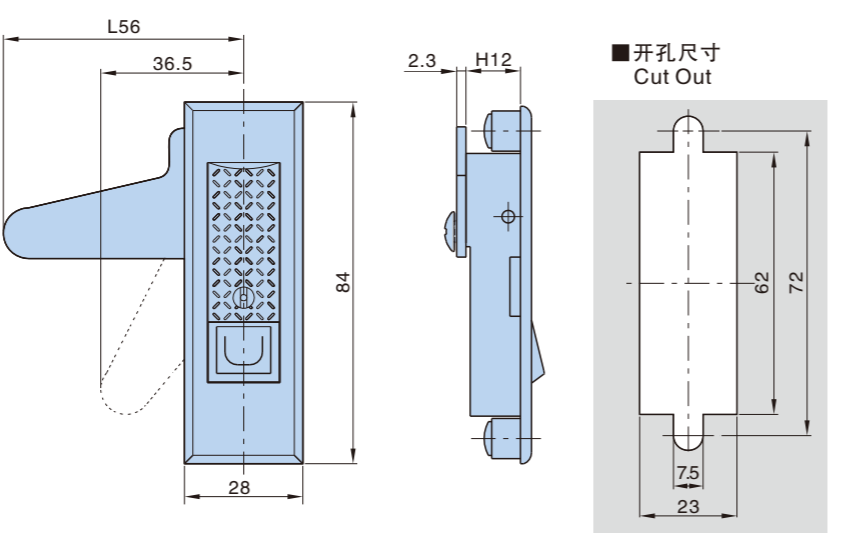


MS602-3-1



MS602-3-1

- 材质: 锌合金锁体、镀锌压板、锁片
- 表面处理: 喷沙镀铬
- 适用门板厚度: 1~3mm
- Material: Zinc die-casting body, Zinc plating cam, fixing parts
- Finish: Pocked chrome plating
- Panel thickness: 1~3mm

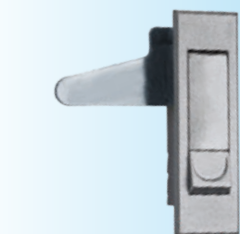


型号 Product no.	产品单重(g) Weight	装箱数 Lot
MS602-3-1	104	200

RL

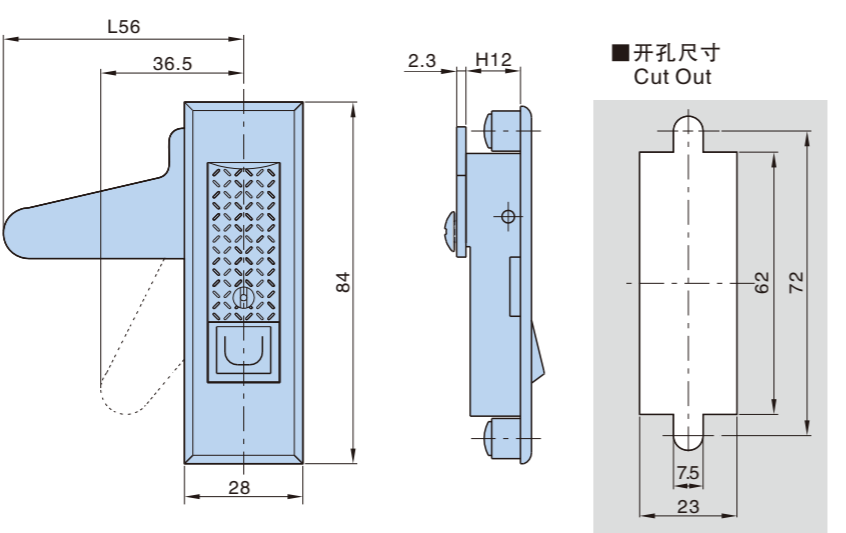


MS602-3-1



MS602-3-1

- 材质: 锌合金锁体、镀锌压板、锁片
- 表面处理: 喷沙镀铬
- 适用门板厚度: 1~3mm
- Material: Zinc die-casting body, Zinc plating cam, fixing parts
- Finish: Pocked chrome plating
- Panel thickness: 1~3mm

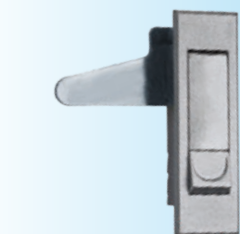


型号 Product no.	产品单重(g) Weight	装箱数 Lot
MS602-3-1	104	200

RL

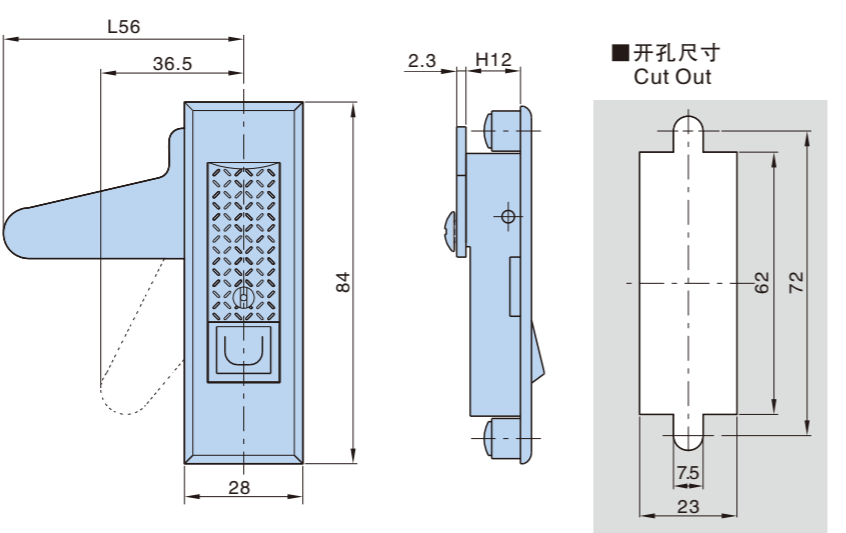


MS602-3-1



MS602-3-1

- 材质: 锌合金锁体、镀锌压板、锁片
- 表面处理: 喷沙镀铬
- 适用门板厚度: 1~3mm
- Material: Zinc die-casting body, Zinc plating cam, fixing parts
- Finish: Pocked chrome plating
- Panel thickness: 1~3mm



型号 Product no.	产品单重(g) Weight	装箱数 Lot
MS602-3-1	104	200

A拉手系列 Handles series

B平面锁系列 Plane lock series

C连杆锁系列 Rod control series

D面板锁系列 Plane lock series

E执手锁系列 Handle lock series

F转舌锁系列 Cam lock series

G铰链系列 Hinge series

H搭扣锁系列 Toggle lock series

I门销系列 Door bolt series

J电子锁系列 Electronic lock series

K密封条系列 Gasketing series

L限位系列 Door stop series

M附件系列 Accessories series

N不锈钢件系列 Stainless steel series

索引 Index

A拉手系列 Handles series

B平面锁系列 Plane lock series

C连杆锁系列 Rod control series

D面板锁系列 Plane lock series

E执手锁系列 Handle lock series

F转舌锁系列 Cam lock series

G铰链系列 Hinge series

H搭扣锁系列 Toggle lock series

I门销系列 Door bolt series

J电子锁系列 Electronic lock series

K密封条系列 Gasketing series

L限位系列 Door stop series

M附件系列 Accessories series

N不锈钢件系列 Stainless steel series

索引 Index

MS603-3

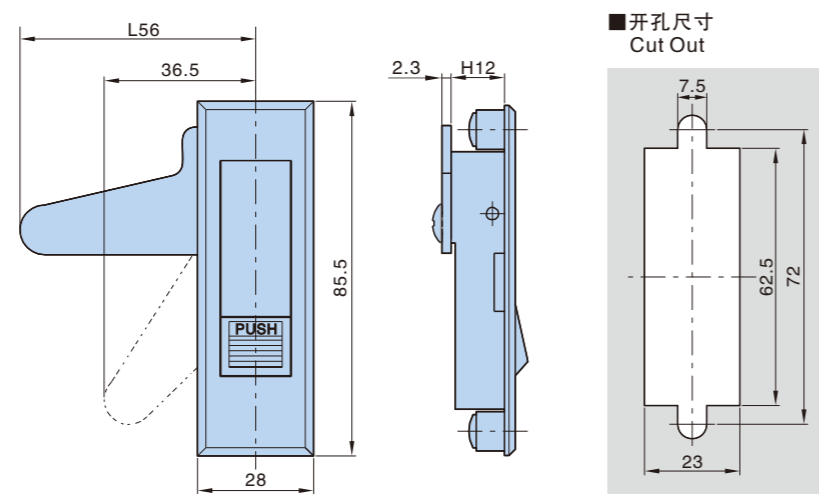
按压杠杆式平面锁 Press Lever Plane Lock



MS603-3-1R MS603-3-2R

MS603-3-1W MS603-3-2W

- 材质: 锌合金锁体、镀锌压板、锁片
- 表面处理: 喷沙镀铬
- 适用门板厚度: 1~3mm
- Material: Zinc die-casting body, Zinc plating cam, fixing parts
- Finish: Pocked chrome plating
- Panel thickness: 1~3mm



产品型号及特性 Product Number		产品单重(g) Weight	装箱数 Lot
白按钮(锌合金) White button	有锁芯 with key	MS603-3-1W	104
	无锁芯 w/o key	MS603-3-2W	89.5
红按钮(塑料) Red button	有锁芯 with key	MS603-3-1R	82
	无锁芯 w/o key	MS603-3-2R	82

MS6003

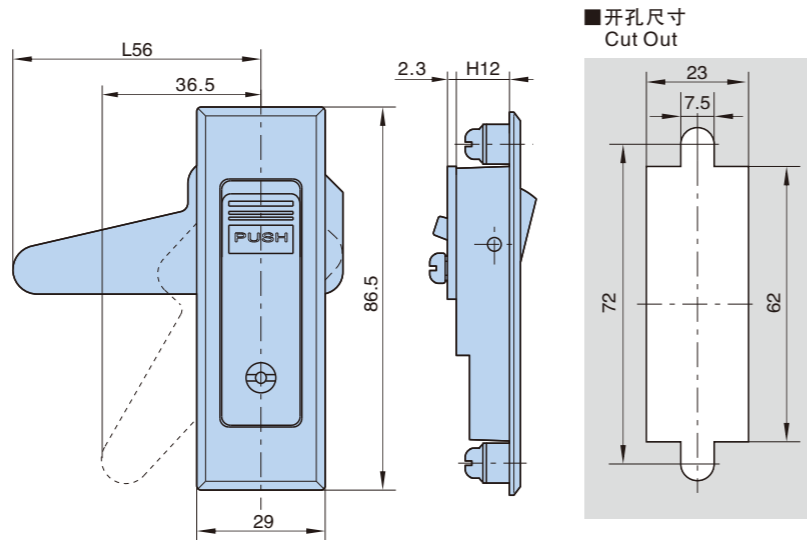
按压杠杆式平面锁 Press Lever Plane Lock



MS6003Z-2-1

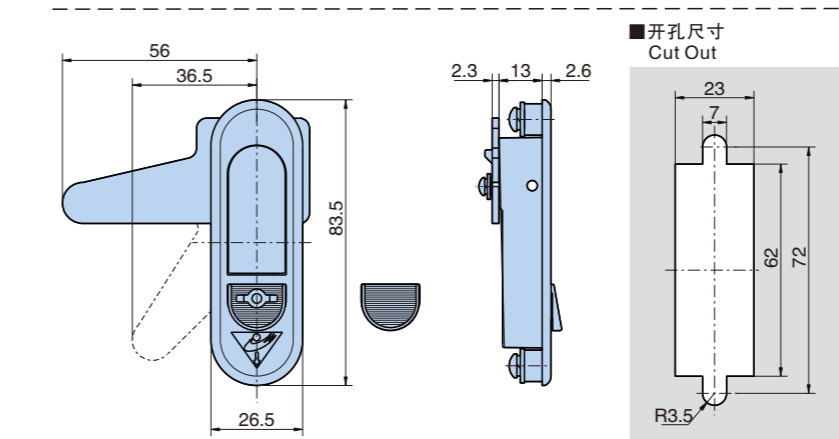
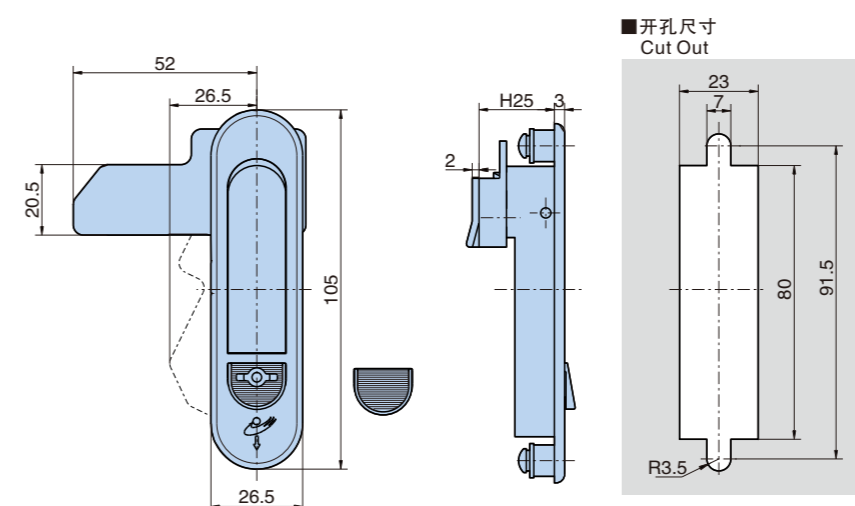
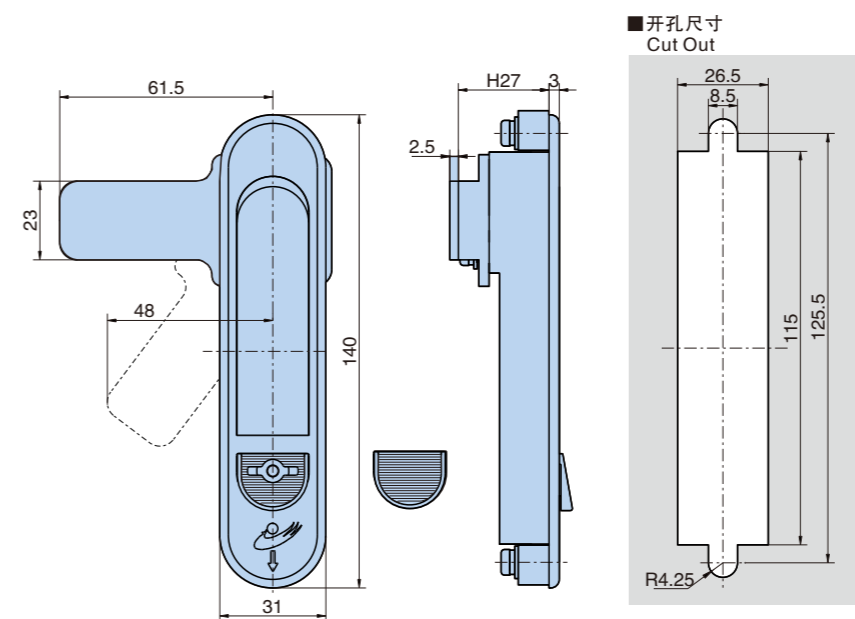
MS6003Z-2-2

- 材质: 锌合金锁体, 镀锌锁片
- 表面处理: 喷沙镀铬
- 适用门板厚度: 1~3mm
- material: zinc alloy lock galvanized cam
- Finish: Pocked chrome plating
- Panel thickness: 1~3mm



产品型号及特性 Product Number		产品单重(g) Weight	装箱数 Lot
有锁芯 With key	MS6003Z-2-1	135	200
无锁芯 w/o key	MS6003Z-2-2	134	200

按压杠杆式平面锁 Press Lever Plane Lock



产品型号及特性 Product Number					
有锁芯 With key	产品单重(g) Weight	装箱数 Lot	无锁芯 w/o key	产品单重(g) Weight	装箱数 Lot
MS610-1-1	219	100	MS610-1-2	220	50
MS610-2-1	115	200	MS610-2-2	113	100
MS610-3-1	98	200	MS610-3-2	96	200

MS610



MS610-1-1

MS610-2-1

MS610-3-1

MS610-3-2

- 材质: 锌合金锁体、镀锌压板、锁片
- 表面处理: 镀沙铬
- 适用门板厚度: 1~3mm
- 备注: 折弯锁片有左右之分
- Material: Zinc die-casting body, Zinc plating cam, fixing parts
- Finish: Gray chrome plating
- Panel thickness: 1~3mm
- Remark: Left cam and right cam are available

AB2015Z-1-1

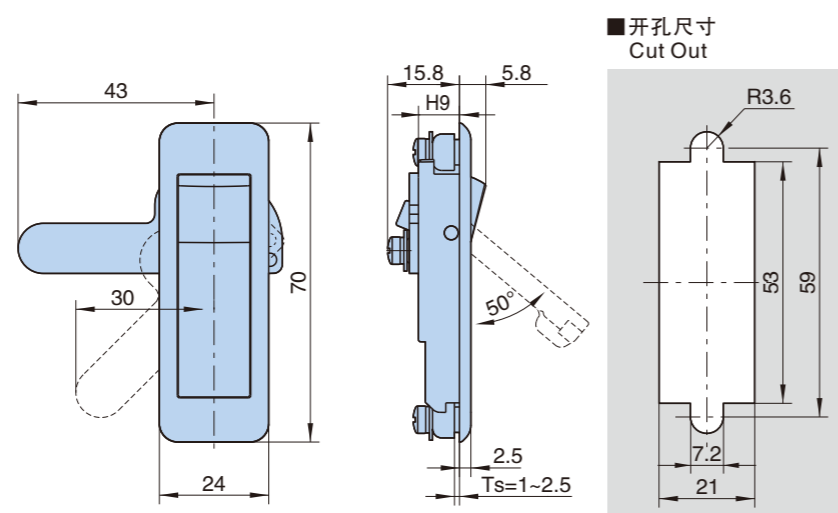
按压杠杆式平面锁 Press Lever Plane Lock

RL



客户定制产品
customized product

- 材质: 锌合金锁体, 碳钢安装帽、锁片
- 表面处理: 镀沙铬, 配件镀蓝白锌
- 适用门板厚: 1~2mm
- 备注: 锁片翻转180°, 实现左右开门。(适用于平锁片)
- Material: zinc alloy for the housing, lock back, steel cam assemble ing plate .
- Finish: gray chrome plating for the body, blue-white zinc plating for the accessories.
- Panel thickness: 1~2mm
- Remark: 180° reversal of the horizontal cam to right or left opening.



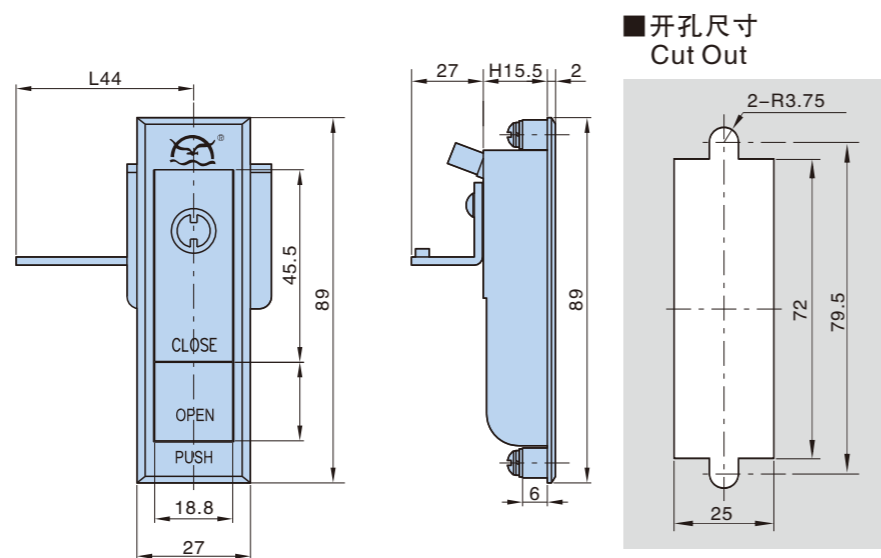
型号 Product no.	产品单重(g) Weight	装箱数 Lot
AB2015Z-1-1	69.3	250

MS703

按压杠杆式平面锁 Press Lever Plane Lock



- 材质: 锌合金锁体、镀锌压板、锁片
- 表面处理: 镀亮铬
- 适用门板厚度: 1~3mm
- 备注: 折弯锁片有左右之分
- Material: Zinc die-casting body, Zinc plating cam, fixing parts
- Finish: Bright chrome plating
- Panel thickness: 1~3mm
- Remark: Left cam and right cam are available

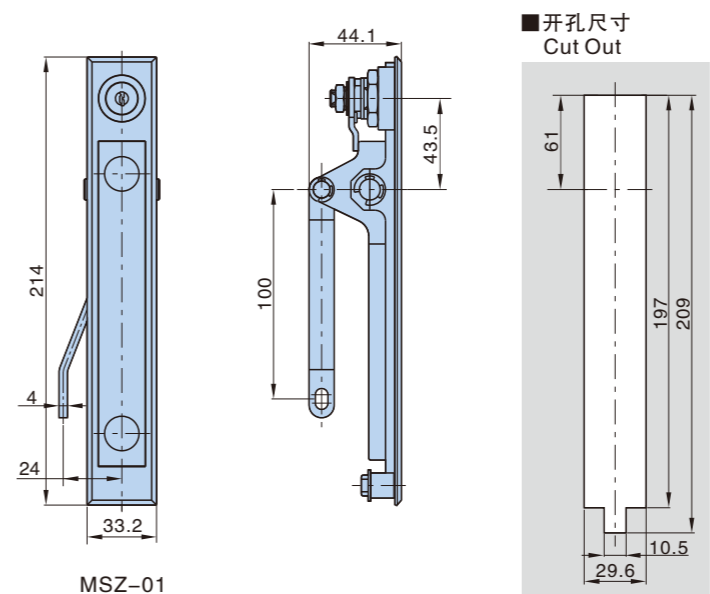


型号 Product no.	产品单重(g) Weight	装箱数 Lot
MS703	153	100

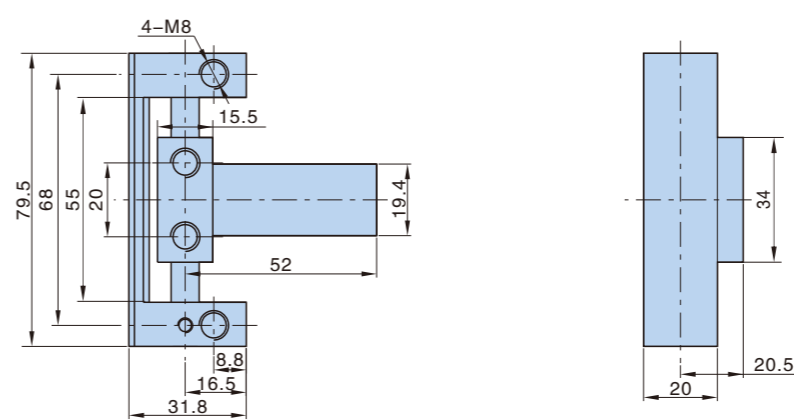
B059

恒珠柜锁 电话(TEL):0795-2119999, 3256555 E-mail: admin@hengzhu.com

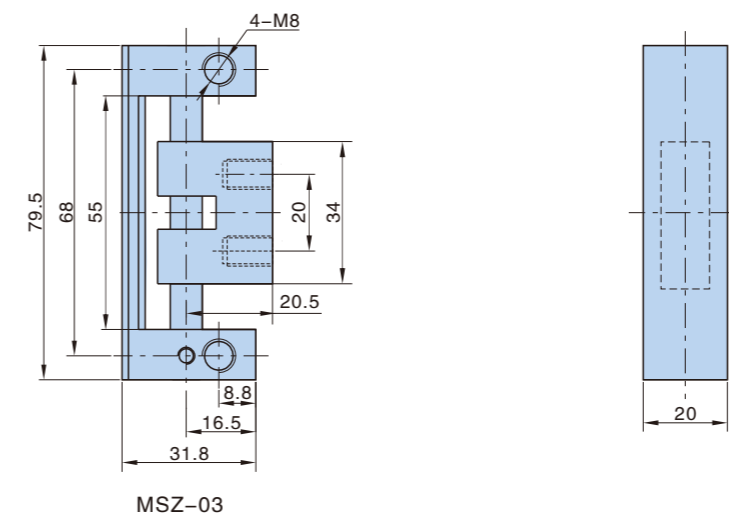
按压杠杆式平面锁 Press Lever Plane Lock



MSZ-01



MSZ-02



MSZ-03

型号 Product no.	产品单重(g) Weight	装箱数 Lot
MSZ-01	573	24
MSZ-02	303	100
MSZ-03	207.5	100

恒珠柜锁 电话(TEL):0795-2119999, 3256555 E-mail: admin@hengzhu.com

MSZ



MSZ-01



MSZ-02



MSZ-03

- 材质: 锌合金锁体、镀锌锁片、压板
- 表面处理: 镀亮铬
- 备注: 中置柜门锁铰链
- material: zinc alloy lock, galvanized steel bolt, Pressure plate
- Finish: Bright chrome plated
- Remark: cabinet door hinge

B060

MS100-3

锁片传动式连杆锁 Cam Drive Rod Control Lock

锁片传动式连杆锁 Cam Drive Rod Control Lock

MS100-3

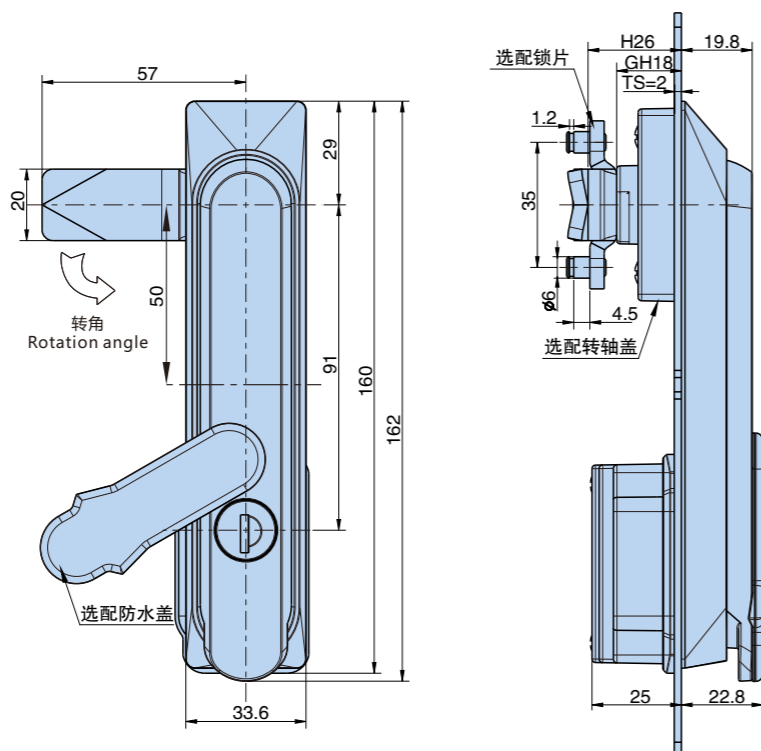


MS100-3-1E

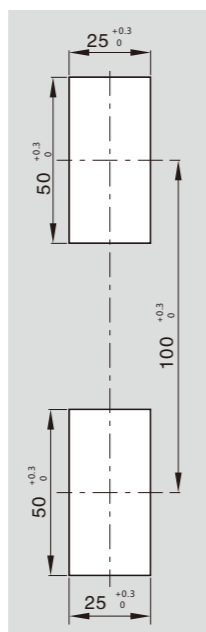


MS100-3-1EN

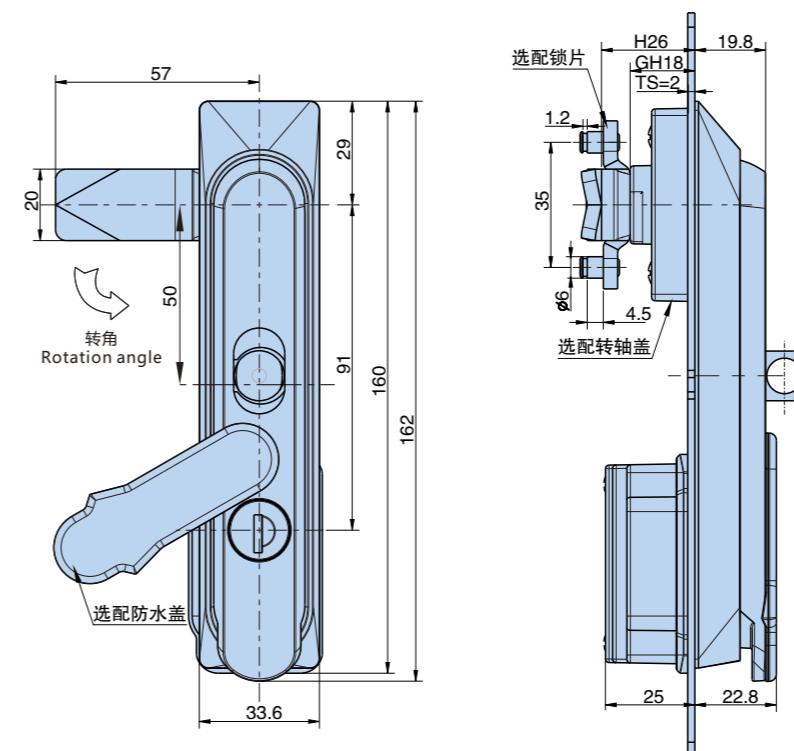
- 材质: PA锁体, 铜转轴或镀锌钢转轴、锁片
- 适用门板厚度: 1~3mm
- 备注: 转轴后盖有定位和不带定位之分, 锁片开孔□8×8
- Material: PA body, brass or steel shaft and cam
- Panel thickness: 1~3mm
- Remark: shaft cover can be with or without stopper plate are available. cam cutout □8×8



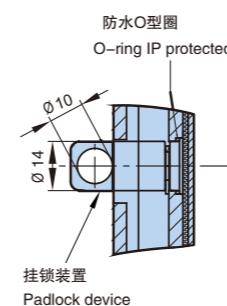
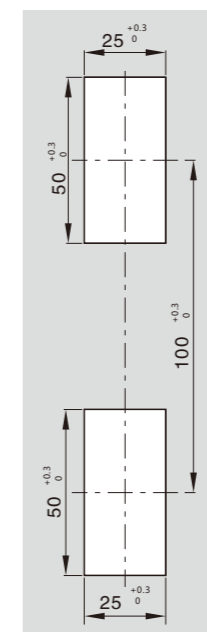
■ 开孔尺寸
Cut out



产品型号及特性 Product Number						
单点式门锁 (带锁片, 不带拉杆) one point lock(with cam, without rod)						
转角Rotation angle	有防水盖 with	产品单重(g) Weight	装箱数 Lot	无防水盖 without	产品单重(g) Weight	装箱数 Lot
360°	MS100-3-1E	260	50	MS100-3-1EN		50
顺时针 (CW)90°	MS100-3-1EL	260	50	MS100-3-1ELN		50
逆时针 (ACW)90°	MS100-3-1ER	260	50	MS100-3-1ERN		50



■ 开孔尺寸
Cut out



产品型号及特性 Product Number						
单点式门锁 (带锁片, 带挂锁扣装置) one point lock(with cam, without rod, padlock device)						
转角Rotation angle	有防水盖 with	产品单重(g) Weight	装箱数 Lot	无防水盖 without	产品单重(g) Weight	装箱数 Lot
360°	MS100-3-1EG		50	MS100-3-1EGN		50
顺时针 (CW)90°	MS100-3-1EGL		50	MS100-3-1EGLN		50
逆时针 (ACW)90°	MS100-3-1EGR		50	MS100-3-1EGRN		50



MS100-3-1EG



MS100-3-1EGN

- 材质: PA锁体, 铜转轴或镀锌钢转轴、锁片
- 适用门板厚度: 1~3mm
- 备注: 转轴后盖有定位和不带定位之分, 锁片开孔□8×8
- Material: PA body, brass or steel shaft and cam
- Panel thickness: 1~3mm
- Remark: shaft cover can be with or without stopper plate are available. cam cutout □8×8

MS100-3



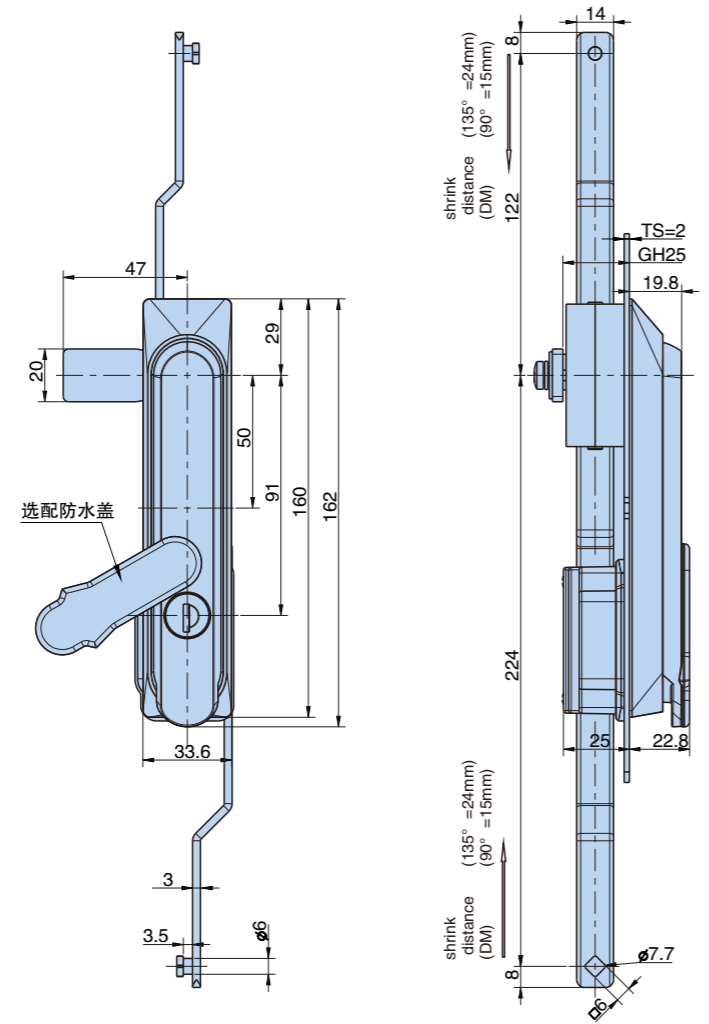
MS100-3-3E



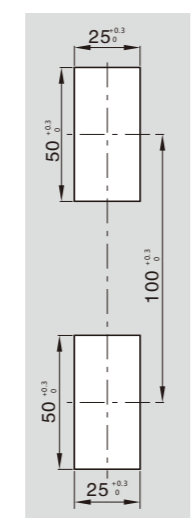
MS100-3-3EN

- 材质: PA锁体, 铜转轴, 或镀锌钢转轴、锁片, 喷砂镀铬亮铬齿条
- 表面处理: 黑色沙纹面
- 适用门板厚度: 2mm
- 备注: 锁片开孔 8×8
- Material: PA body, brass shaft, Zinc plating shaft, cam, sand bright chrome plating rack
- Finish :Matt black
- Panel thickness: 1~3mm
- Remark: cam cutout 8×8

齿轮传动式连杆锁 Gear Drive Rod Control Lock

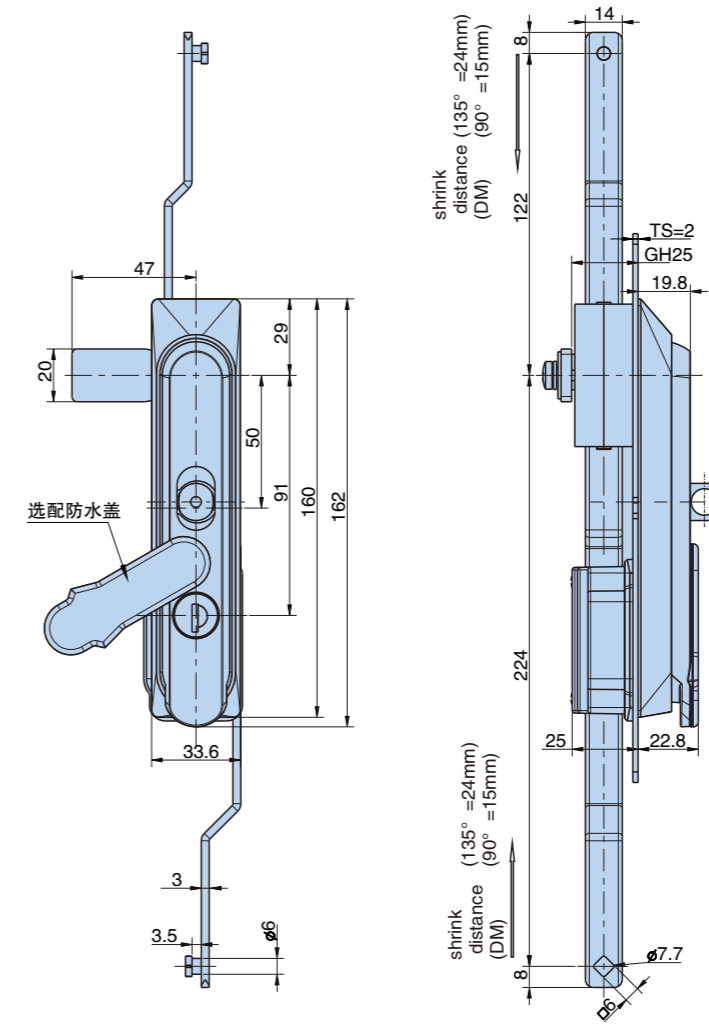


■开孔尺寸 Cut out

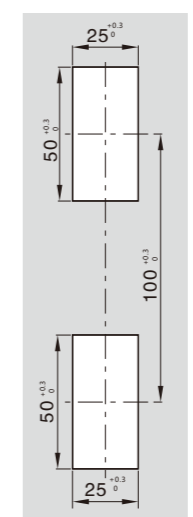


产品型号及特性 Product Number					
双点式门锁 (带拉杆, 不带锁片) two point lock (with rod, without cam)		产品单重(g) Weight	装箱数 Lot	三点式门锁 (带锁片, 带拉杆) three point lock (with cam and rod)	
有防水盖 with	MS100-3-2E	382	50	有防水盖 with	MS100-3-3E
无防水盖 without	MS100-3-2EN		50	无防水盖 without	MS100-3-3EN

齿轮传动式连杆锁 Gear Drive Rod Control Lock



■开孔尺寸 Cut out



产品型号及特性 Product Number					
带挂锁扣装置 (padlock device)					
双点式门锁 (带拉杆, 不带锁片) two point lock (with rod, without cam)		产品单重(g) Weight	装箱数 Lot	三点式门锁 (带锁片, 带拉杆) three point lock (with cam and rod)	
有防水盖 with	MS100-3-2EG		50	有防水盖 with	MS100-3-3EG
无防水盖 without	MS100-3-2EGN		50	无防水盖 without	MS100-3-3EGN

MS100-3



MS100-3-3EG



MS100-3-3EGN

- 材质: PA锁体, 铜转轴, 或镀锌钢转轴、锁片, 喷砂镀铬亮铬齿条
- 表面处理: 黑色沙纹面
- 适用门板厚度: 2mm
- 备注: 锁片开孔 8×8
- Material: PA body, brass shaft, Zinc plating shaft, cam, sand bright chrome plating rack
- Finish :Matt black
- Panel thickness: 1~3mm
- Remark: cam cutout 8×8

MS100-3

齿轮传动式连杆锁 Gear Drive Rod Control Lock

齿轮传动式连杆锁 Gear Drive Rod Control Lock

MS100-3

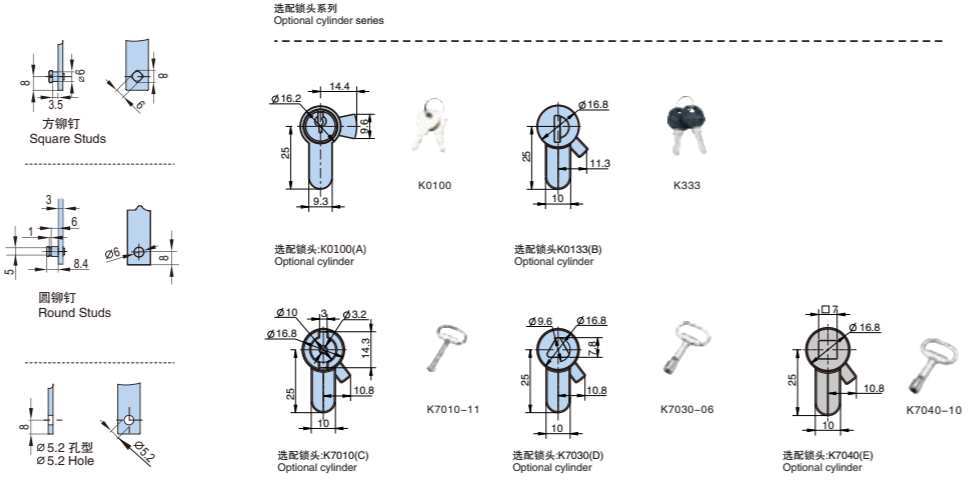
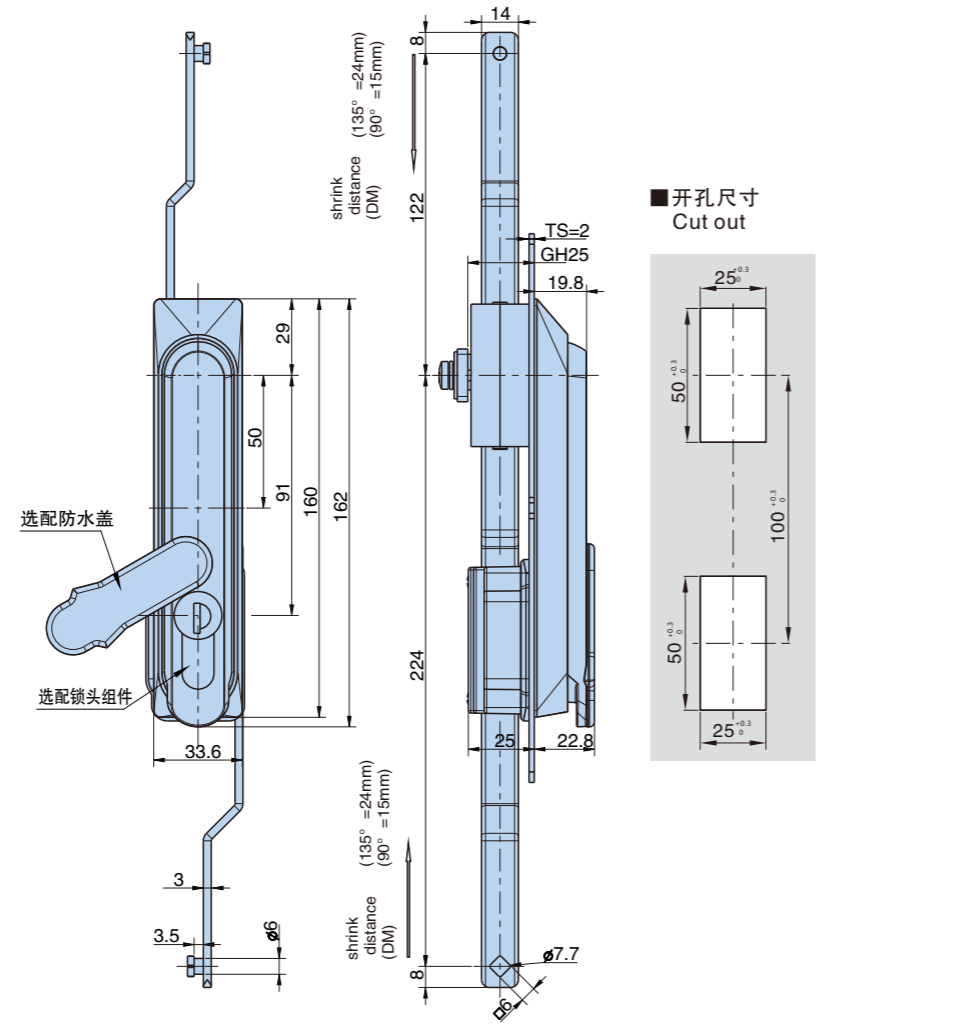


MS100-3-2B

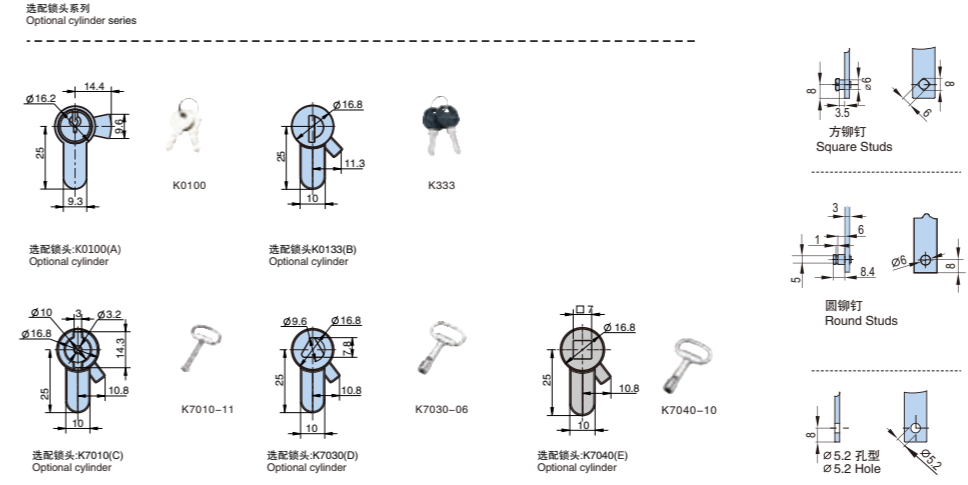
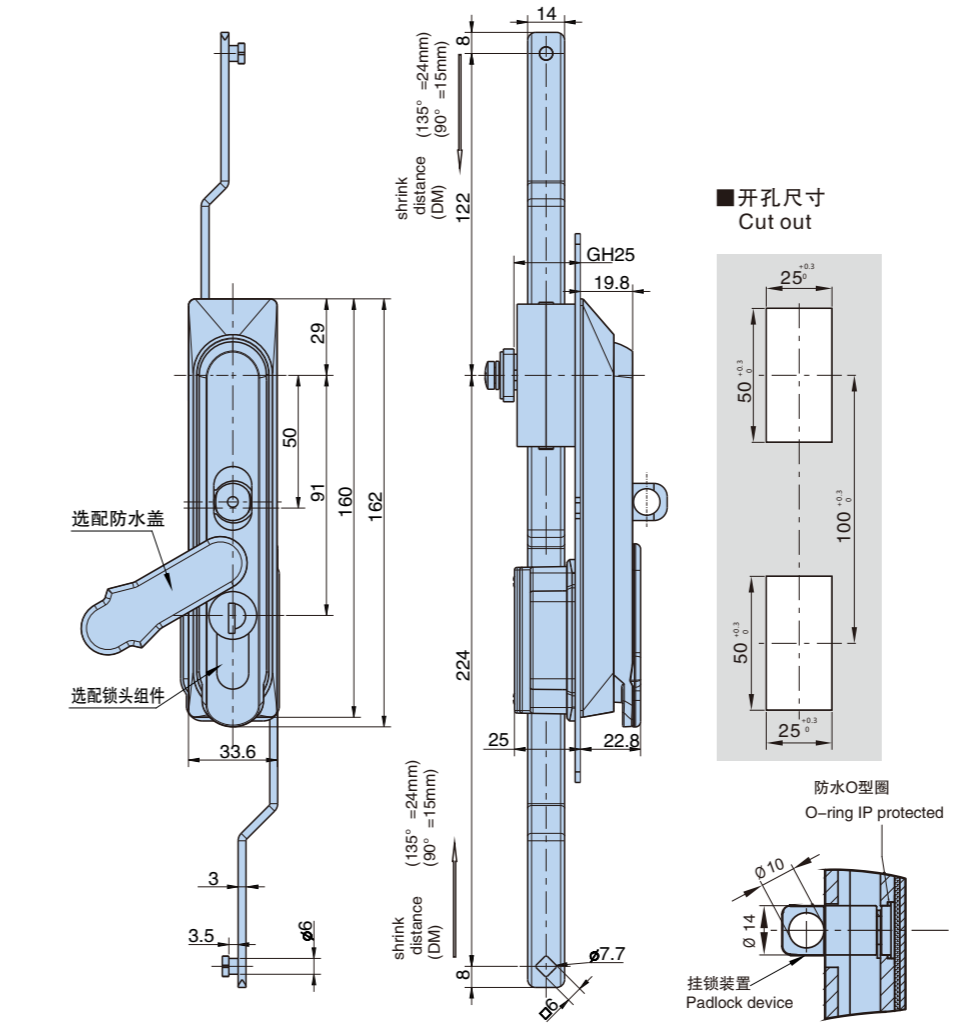


MS100-3-2BN

- 材质: PA锁体, 铜转轴, 或镀锌钢转轴、锁片, 喷砂镀铬齿条
- 表面处理: 黑色沙纹面
- 适用门板厚度: 2mm
- 备注: 锁片开孔 8×8
- Material: PA body, brass shaft, Zinc plating shaft, cam, sand bright chrome plating rack
- Finish :Matt black
- Panel thickness: 1~3mm
- Remark: cam cutout 8×8



产品型号及特性 Product Number						
双点式门锁 (带拉杆, 不带锁片) two point lock(with rod, without cam)						
锁芯类别 Insert types	有防水盖 with	产品单重(g) Weight	装箱数 Lot	无防水盖 without	产品单重(g) Weight	装箱数 Lot
K0100(A)	MS100-3-2A		50	MS100-3-2AN		50
K0133(B)	MS100-3-2B		50	MS100-3-2BN		50
K0710(C)	MS100-3-2C		50	MS100-3-2CN		50
K0730(D)	MS100-3-2D		50	MS100-3-2DN		50



产品型号及特性 Product Number						
带挂锁扣装置 (padlock device)						
双点式门锁 (带拉杆, 不带锁片) two point lock(with rod, without cam)						
锁芯类别 Insert types	有防水盖 with	产品单重(g) Weight	装箱数 Lot	无防水盖 without	产品单重(g) Weight	装箱数 Lot
K0100(A)	MS100-3-2AG		50	MS100-3-2AGN		50
K0133(B)	MS100-3-2BG		50	MS100-3-2BGN		50
K0710(C)	MS100-3-2CG		50	MS100-3-2CGN		50
K0730(D)	MS100-3-2DG		50	MS100-3-2DGN		50



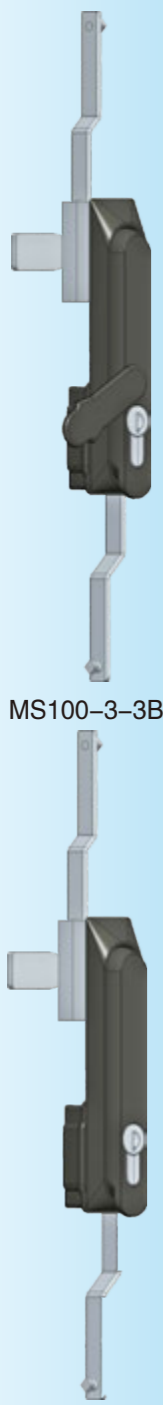
MS100-3-2BG



MS100-3-2BGN

- 材质: PA锁体, 铜转轴, 或镀锌钢转轴、锁片, 喷砂镀铬齿条
- 表面处理: 黑色沙纹面
- 适用门板厚度: 2mm
- 备注: 锁片开孔 8×8
- Material: PA body, brass shaft, Zinc plating shaft, cam, sand bright chrome plating rack
- Finish :Matt black
- Panel thickness: 1~3mm
- Remark: cam cutout 8×8

MS100-3

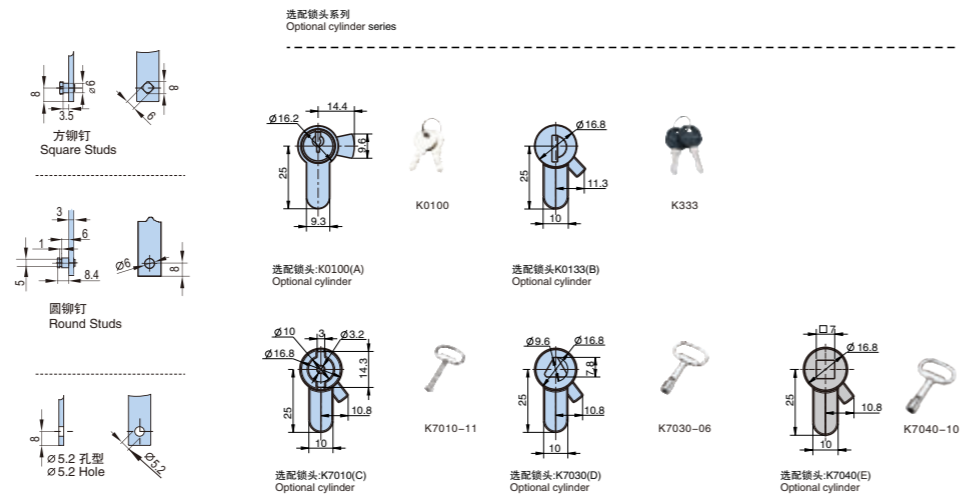
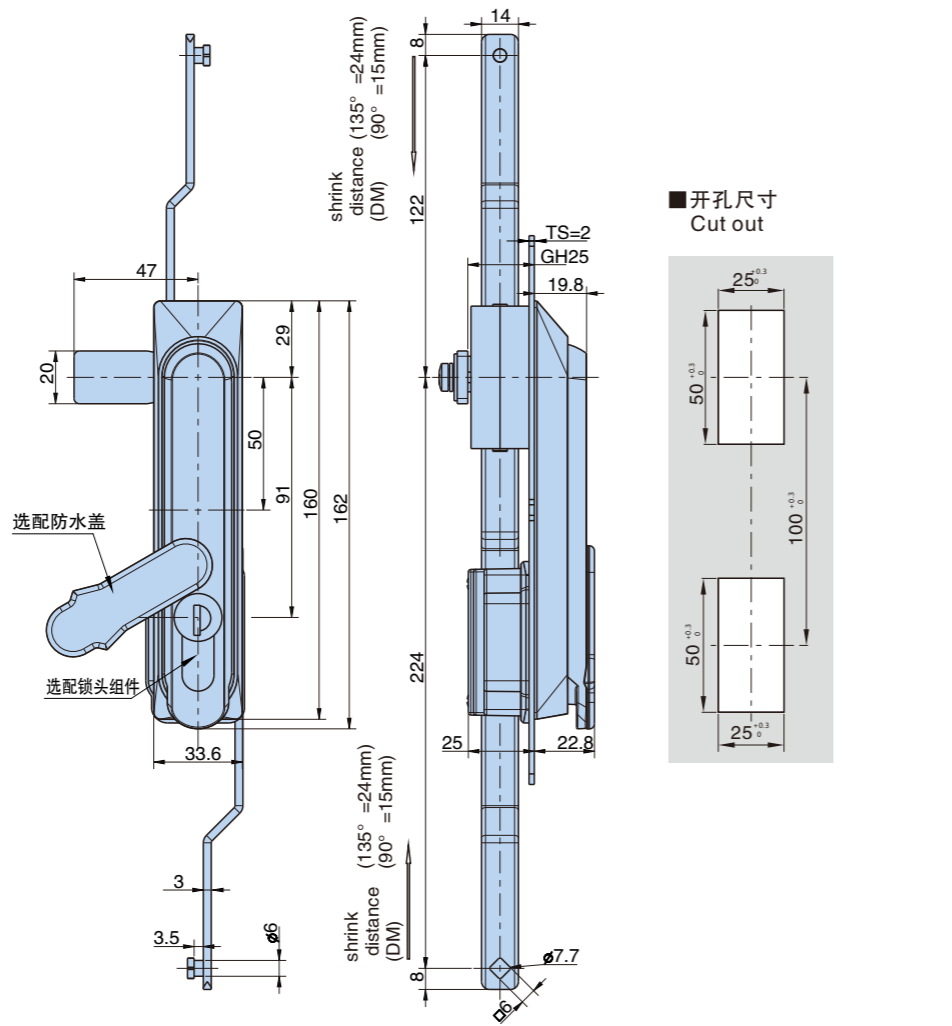


MS100-3-3B

MS100-3-3BN

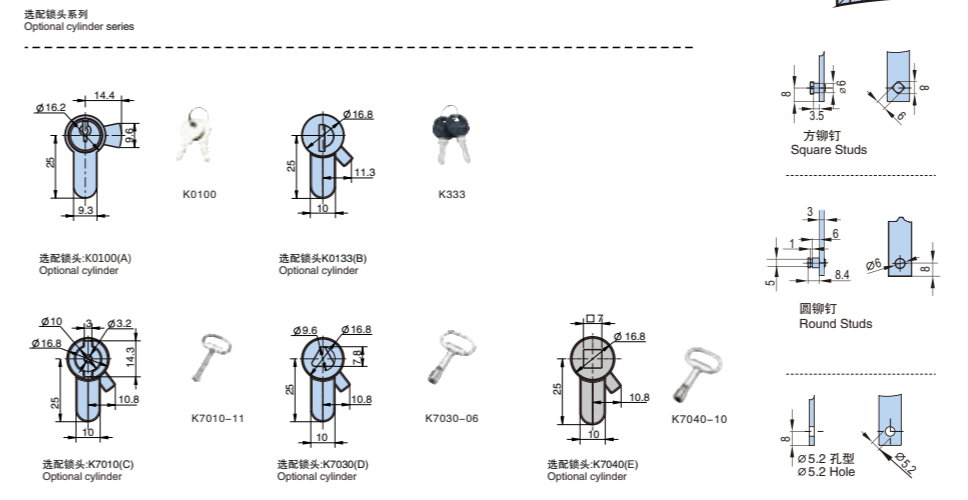
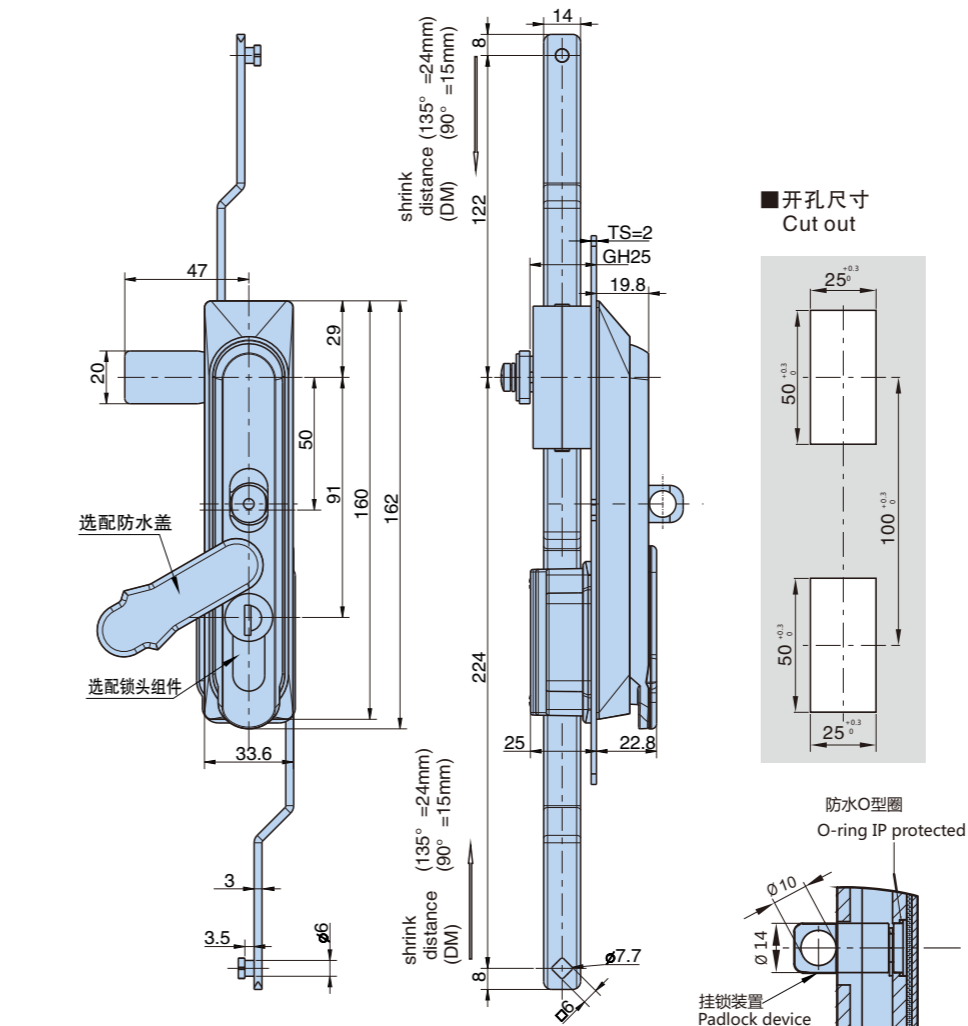
- 材质: PA锁体, 铜转轴, 或镀锌钢转轴、锁片, 喷砂镀铬齿条
- 表面处理: 黑色沙纹面
- 适用门板厚度: 2mm
- 备注: 锁片开孔 8×8
- Material: PA body, brass shaft, Zinc plating shaft, cam, sand bright chrome plating rack
- Finish :Matt black
- Panel thickness: 1~3mm
- Remark: cam cutout 8×8

齿轮传动式连杆锁 Gear Drive Rod Control Lock



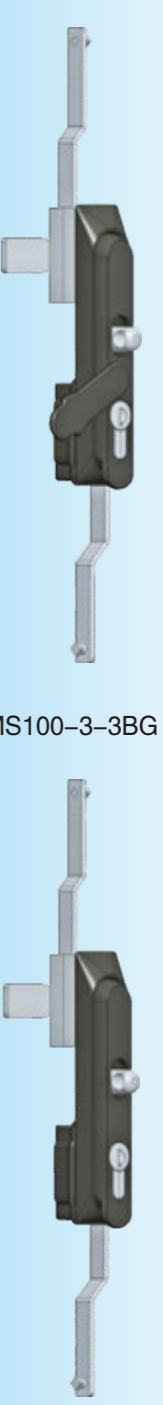
产品型号及特性 Product Number						
三点式门锁 (带锁片, 带拉杆) three point lock(with cam and rod)						
锁芯类别 Insert types	有防水盖 with	产品单重(g) Weight	装箱数 Lot	无防水盖 without	产品单重(g) Weight	装箱数 Lot
K0100(A)	MS100-3-3A		50	MS100-3-3AN		50
K0133(B)	MS100-3-3B		50	MS100-3-3BN		50
K0710(C)	MS100-3-3C		50	MS100-3-3CN		50
K0730(D)	MS100-3-3D		50	MS100-3-3DN		50

齿轮传动式连杆锁 Gear Drive Rod Control Lock



产品型号及特性 Product Number						
带挂锁扣装置 (padlock device)						
三点式门锁 (带锁片, 带拉杆) three point lock(with cam and rod)						
锁芯类别 Insert types	有防水盖 with	产品单重(g) Weight	装箱数 Lot	无防水盖 without	产品单重(g) Weight	装箱数 Lot
K0100 (A)	MS100-3-3AG		50	MS100-3-3AGN		50
K0133 (B)	MS100-3-3BG		50	MS100-3-3BGN		50
K0710 (C)	MS100-3-3CG		50	MS100-3-3CGN		50
K0730 (D)	MS100-3-3DG		50	MS100-3-3DGN		50

MS100-3



MS100-3-3BG

MS100-3-3BGN

- 材质: PA锁体, 铜转轴, 或镀锌钢转轴、锁片, 喷砂镀铬齿条
- 表面处理: 黑色沙纹面
- 适用门板厚度: 2mm
- 备注: 锁片开孔 8×8
- Material: PA body, brass shaft, Zinc plating shaft, cam, sand bright chrome plating rack
- Finish :Matt black
- Panel thickness: 1~3mm
- Remark: cam cutout 8×8

A拉手系列
Handles series

B平面锁系列
Plane lock series

C连杆锁系列
Rod control series

D面板锁系列
Plane lock series

E执手锁系列
Handle lock series

F转舌锁系列
Cam lock series

G铰链系列
Hinge series

H搭扣锁系列
Toggle lock series

I门销系列
Door bolt series

J电子锁系列
Electronic lock series

K密封条系列
Gasketing series

L限位系列
Door stop series

M附件系列
Accessories series

N不锈钢件系列
Stainless steel series

索引
Index

A拉手系列
Handles series

B平面锁系列
Plane lock series

C连杆锁系列
Rod control series

D面板锁系列
Plane lock series

E执手锁系列
Handle lock series

F转舌锁系列
Cam lock series

G铰链系列
Hinge series

H搭扣锁系列
Toggle lock series

I门销系列
Door bolt series

J电子锁系列
Electronic lock series

K密封条系列
Gasketing series

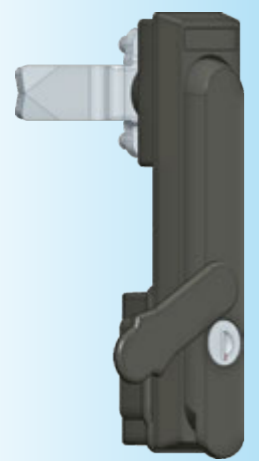
L限位系列
Door stop series

M附件系列
Accessories series

N不锈钢件系列
Stainless steel series

索引
Index

MS100-3A



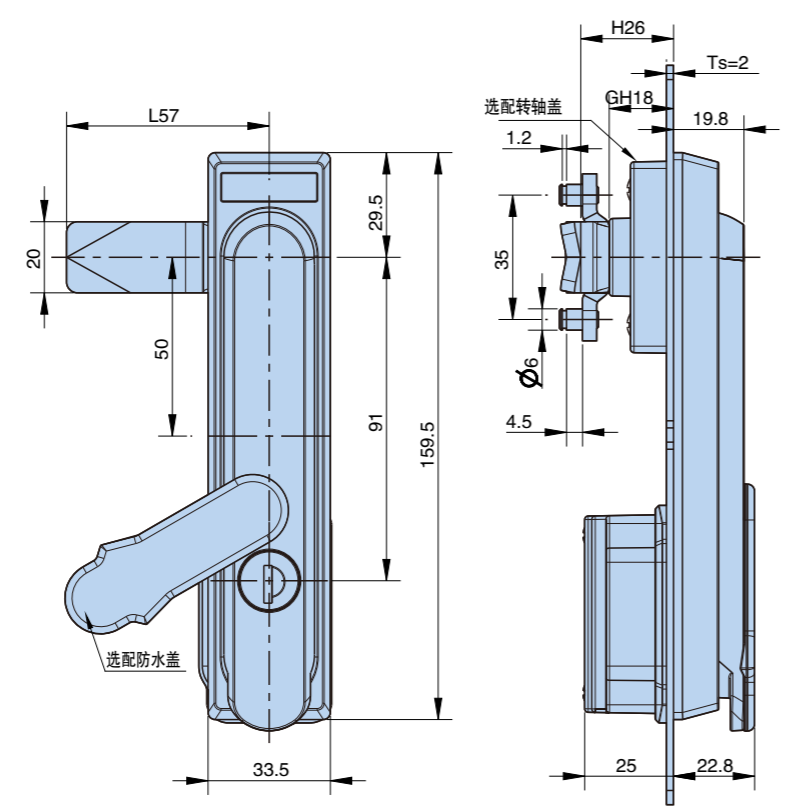
MS100-3A-1E



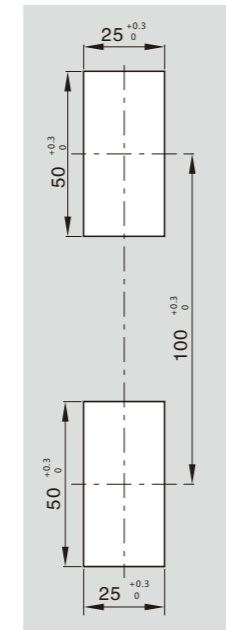
MS100-3A-1EN

- 材质: PA锁体, 锌合金转轴, 镀锌锁片, 喷砂镀铬齿条
- 适用门板厚度: 2mm
- 表面处理: 黑色沙纹面
- 锁片开孔: $\square 8 \times 8$
- 备注: 转轴后盖有带定位和不带定位之分
- Material: PA body, Zinc alloy shaft Zinc plating cam, sand bright chrome plating rack
- Panel thickness: 2mm
- Finish: Matt black
- cam cutout: $\square 8 \times 8$
- Remark: shaft cover can be with or without stopper plate are available.

锁片传动式连杆锁 Cam Drive Rod Control Lock

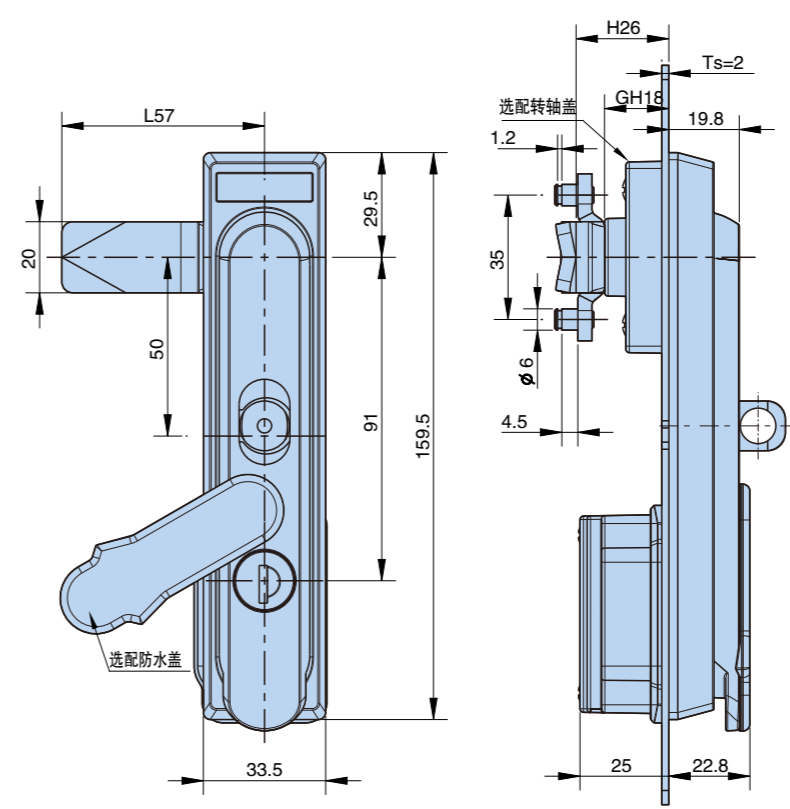


开孔尺寸
Cut out

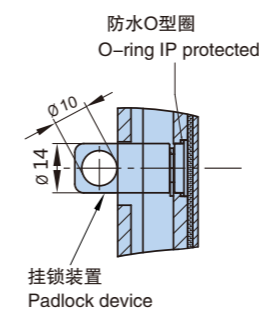
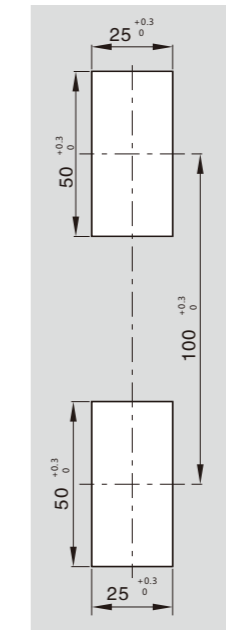


产品型号及特性 Product Number						
单点式门锁 (带锁片, 不带拉杆) one point lock(with cam, without rod)						
转角Rotation angle	有防水盖 with	产品单重(g) Weight	装箱数 Lot	无防水盖 without	产品单重(g) Weight	装箱数 Lot
360°	MS100-3A-1E		50	MS100-3A-1EN		50
顺时针 (CW)90°	MS100-3A-1EL		50	MS100-3A-1ELN		50
逆时针 (ACW)90°	MS100-3A-1ER		50	MS100-3A-1ERN		50

锁片传动式连杆锁 Cam Drive Rod Control Lock

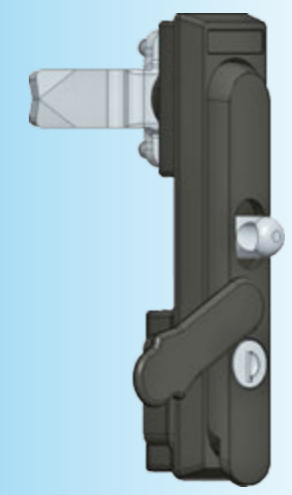


开孔尺寸
Cut out

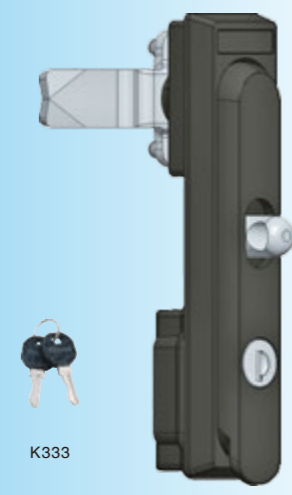


产品型号及特性 Product Number						
单点式门锁 (带锁片, 带挂锁扣装置) one point lock(with cam, without rod, padlock device)						
转角Rotation angle	有防水盖 with	产品单重(g) Weight	装箱数 Lot	无防水盖 without	产品单重(g) Weight	装箱数 Lot
360°	MS100-3A-1EG		50	MS100-3A-1EGN		50
顺时针 (CW)90°	MS100-3A-1EGL		50	MS100-3A-1EGLN		50
逆时针 (ACW)90°	MS100-3A-1EGR		50	MS100-3A-1EGRN		50

MS100-3A



MS100-3A-1EG



MS100-3A-1EGN

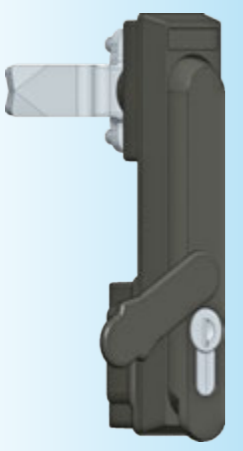
- 材质: PA锁体, 锌合金转轴, 镀锌锁片, 喷砂镀铬齿条
- 适用门板厚度: 2mm
- 表面处理: 黑色沙纹面
- 锁片开孔: $\square 8 \times 8$
- 备注: 转轴后盖有带定位和不带定位之分
- Material: PA body, Zinc alloy shaft Zinc plating cam, sand bright chrome plating rack
- Panel thickness: 2mm
- Finish: Matt black
- cam cutout: $\square 8 \times 8$
- Remark: shaft cover can be with or without stopper plate are available.

MS100-3A

锁片传动式连杆锁 Cam Drive Rod Control Lock

锁片传动式连杆锁 Cam Drive Rod Control Lock

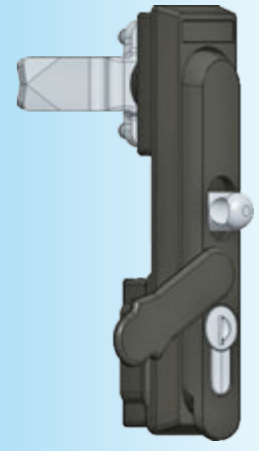
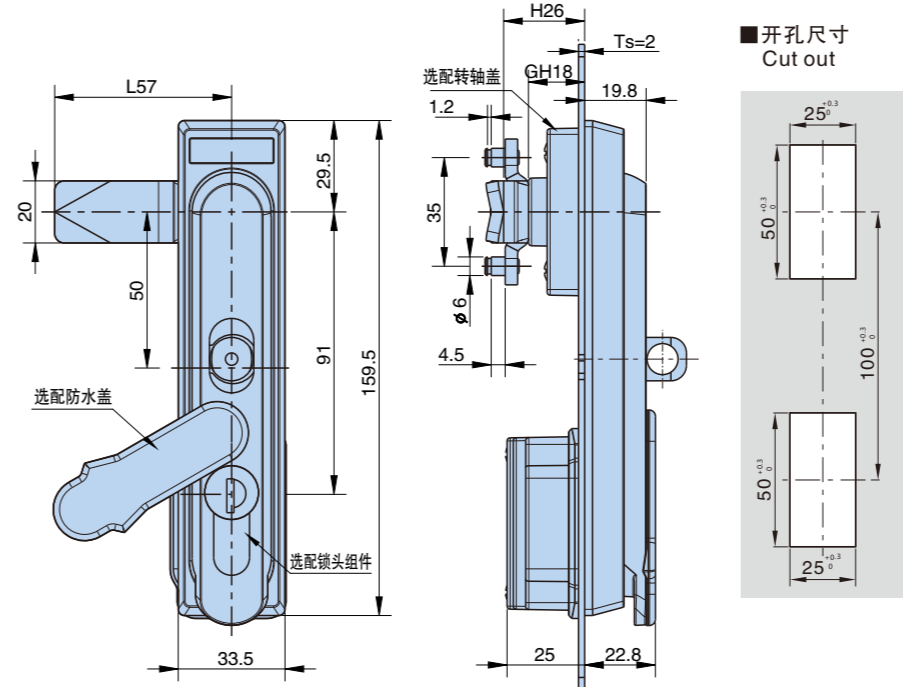
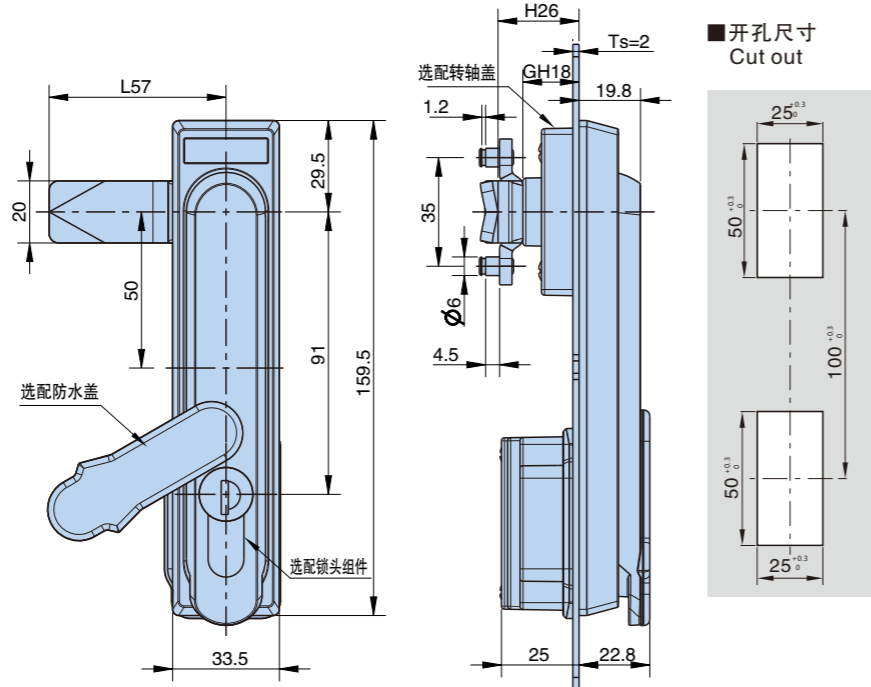
MS100-3A



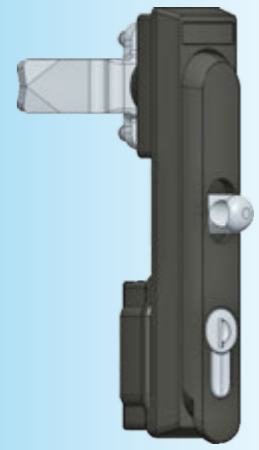
MS100-3A-1B



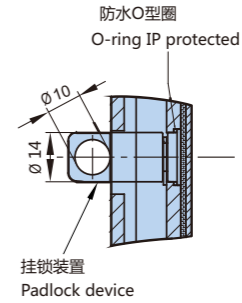
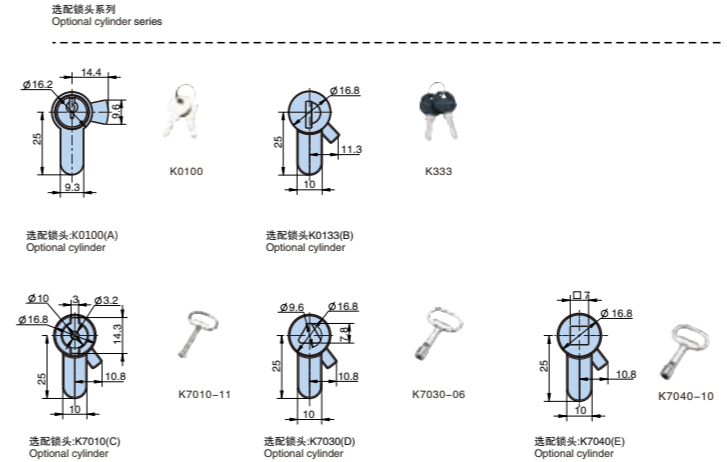
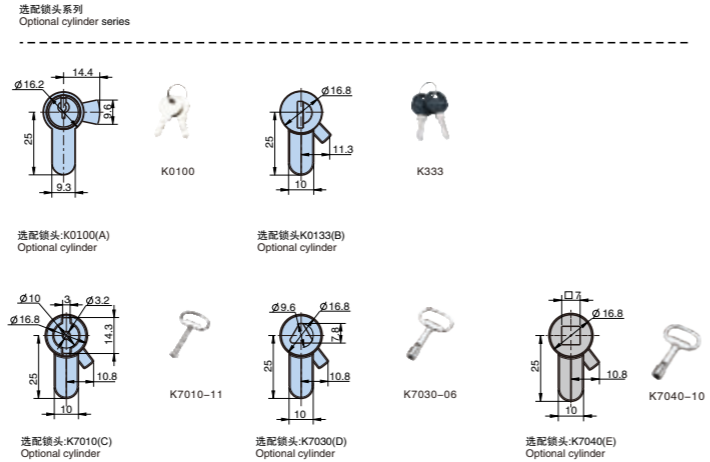
MS100-3A-1BN



MS100-3A-1BG



MS100-3A-1BGN



- 材质: PA锁体, 锌合金转轴, 镀锌锁片, 喷砂镀铬齿条
- 适用门板厚度: 2mm
- 表面处理: 黑色沙纹面
- 锁片开孔: 8 × 8
- 备注: 转轴后盖有带定位和不带定位之分
- Material: PA body, Zinc alloy shaft Zinc plating cam, sand bright chrome plating rack
- Panel thickness: 2mm
- Finish: Matt black
- cam cutout: 8 × 8
- Remark: shaft cover can be with or without stopper plate available.

- 材质: PA锁体, 锌合金转轴, 镀锌锁片, 喷砂镀铬齿条
- 适用门板厚度: 2mm
- 表面处理: 黑色沙纹面
- 锁片开孔: 8 × 8
- 备注: 转轴后盖有带定位和不带定位之分
- Material: PA body, Zinc alloy shaft Zinc plating cam, sand bright chrome plating rack
- Panel thickness: 2mm
- Finish: Matt black
- cam cutout: 8 × 8
- Remark: shaft cover can be with or without stopper plate available.

锁芯类别 Insert types	产品型号及特性 Product Number	单点式门锁 (带锁片, 不带拉杆) one point lock (with cam, without rod)					
		有防水盖 with	产品单重(g) Weight	装箱数 Lot	无防水盖 without	产品单重(g) Weight	装箱数 Lot
K0100(A)	360°	MS100-3A-1A		50	MS100-3A-1AN		50
	顺时针 (CW)90°	MS100-3A-1AL		50	MS100-3A-1ALN		50
	逆时针 (ACW)90°	MS100-3A-1AR		50	MS100-3A-1ARN		50
K0133(B)	360°	MS100-3A-1B		50	MS100-3A-1BN		50
	顺时针 (CW)90°	MS100-3A-1BL		50	MS100-3A-1BLN		50
	逆时针 (ACW)90°	MS100-3A-1BR		50	MS100-3A-1BRN		50
K7010(C)	360°	MS100-3A-1C		50	MS100-3A-1CN		50
	顺时针 (CW)90°	MS100-3A-1CL		50	MS100-3A-1CLN		50
	逆时针 (ACW)90°	MS100-3A-1CR		50	MS100-3A-1CRN		50
K7030(D)	360°	MS100-3A-1D		50	MS100-3A-1DN		50
	顺时针 (CW)90°	MS100-3A-1DL		50	MS100-3A-1DLN		50
	逆时针 (ACW)90°	MS100-3A-1DR		50	MS100-3A-1DRN		50

锁芯类别 Insert types	产品型号及特性 Product Number	单点式门锁 (带锁片, 带挂锁扣装置) one point lock (with cam, without rod, padlock device)					
		有防水盖 with	产品单重(g) Weight	装箱数 Lot	无防水盖 without	产品单重(g) Weight	装箱数 Lot
K0100(A)	360°	MS100-3A-1AG		50	MS100-3A-1AGN		50
	顺时针 (CW)90°	MS100-3A-1AGL		50	MS100-3A-1AGLN		50
	逆时针 (ACW)90°	MS100-3A-1AGR		50	MS100-3A-1AGRn		50
K0133(B)	360°	MS100-3A-1BG		50	MS100-3A-1BGN		50
	顺时针 (CW)90°	MS100-3A-1BGL		50	MS100-3A-1BGLN		50
	逆时针 (ACW)90°	MS100-3A-1BGR		50	MS100-3A-1BGRn		50
K7010(C)	360°	MS100-3A-1GC		50	MS100-3A-1CGN		50
	顺时针 (CW)90°	MS100-3A-1GCL		50	MS100-3A-1GCLN		50
	逆时针 (ACW)90°	MS100-3A-1GCR		50	MS100-3A-1GCRn		50
K7030(D)	360°	MS100-3A-1GD		50	MS100-3A-1DGN		50
	顺时针 (CW)90°	MS100-3A-1DGL		50	MS100-3A-1DGLN		50
	逆时针 (ACW)90°	MS100-3A-1DGR		50	MS100-3A-1DGRn		50

MS100-3A

齿轮传动式连杆锁 Gear Drive Link Lock

齿轮传动式连杆锁 Gear Drive Link Lock

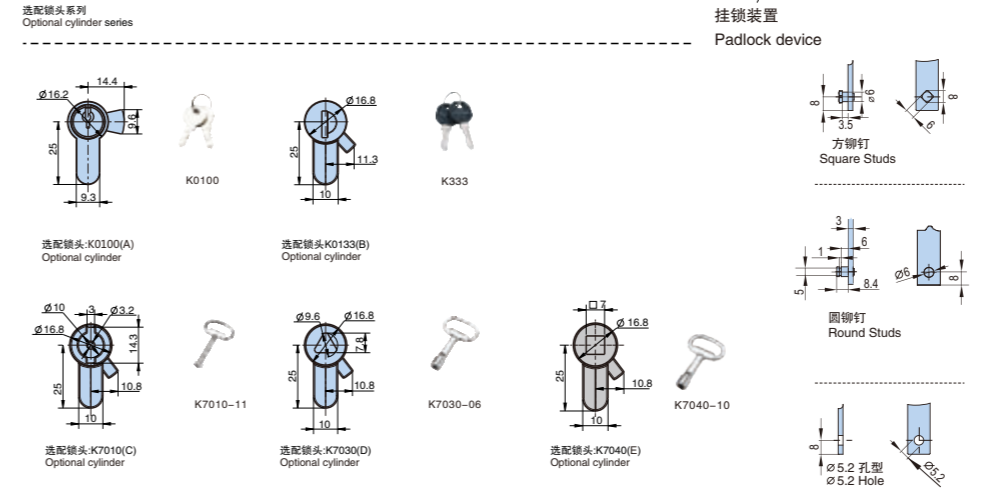
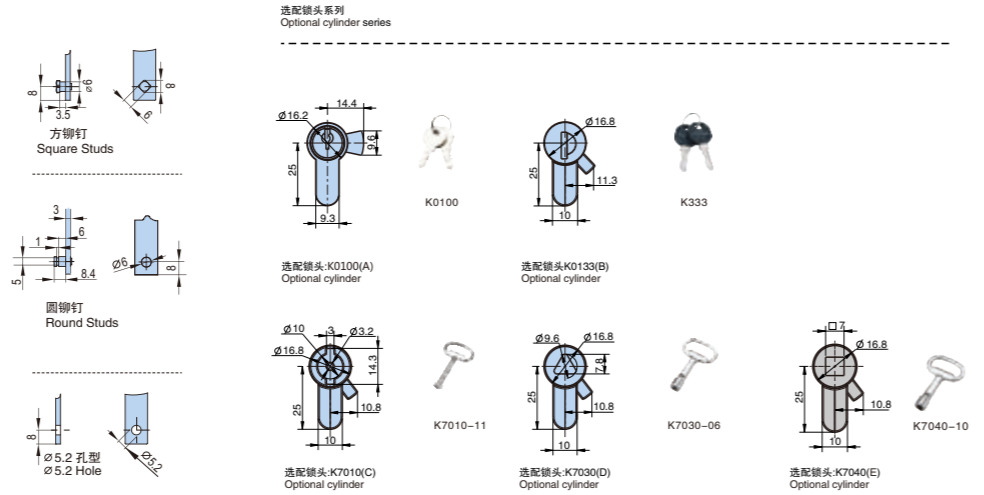
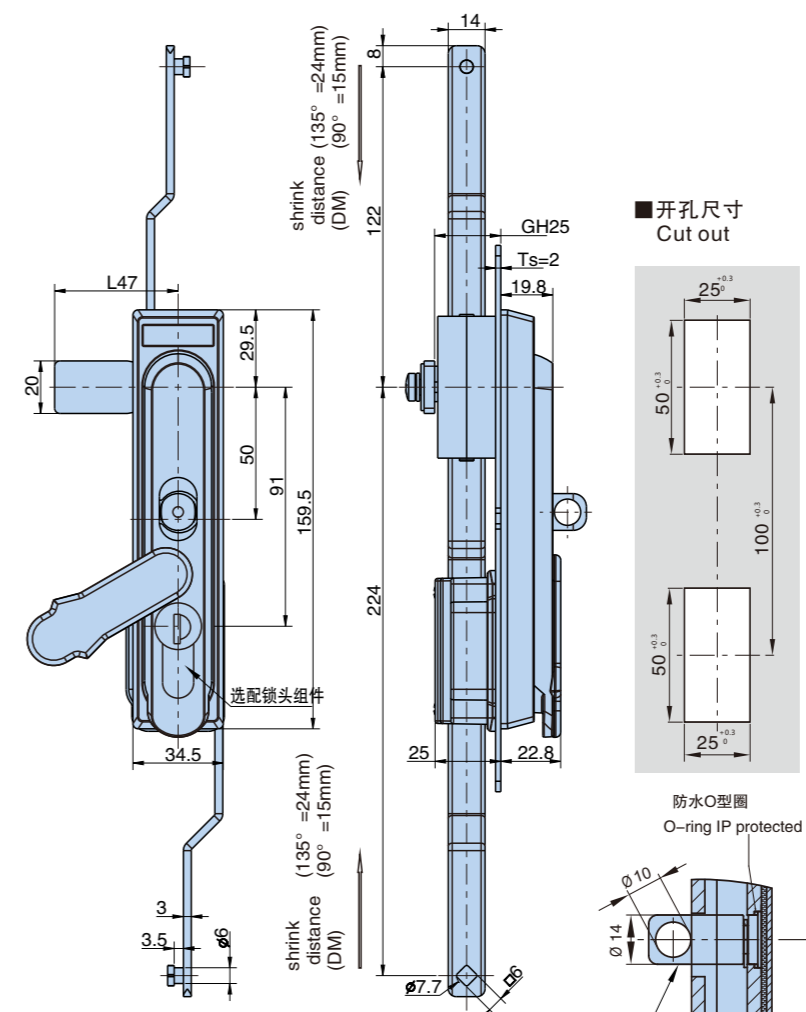
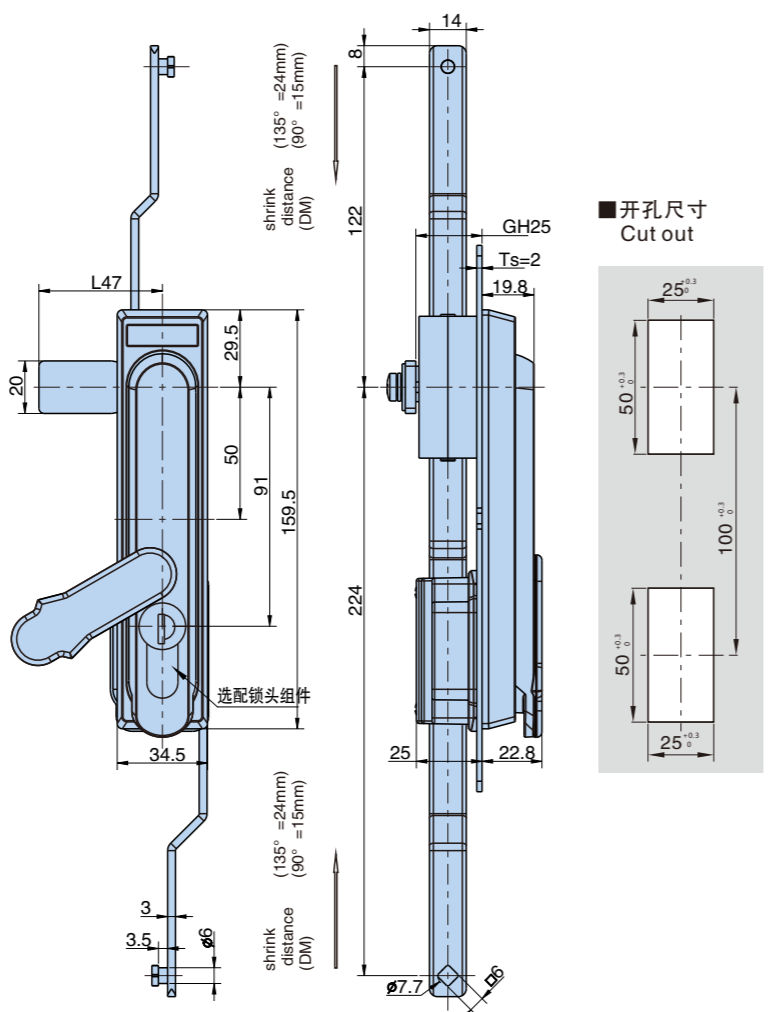
MS100-3A



MS100-3A-3B



MS100-3A-3BN



MS100-3A-3BG



MS100-3A-3BGN

- 材质: PA锁体, 铜转轴, 或镀锌钢转轴、锁片, 喷砂镀铬齿条
- 表面处理: 黑色沙纹面
- 适用门板厚度: 2mm
- 备注: 锁片开孔 8×8
- Material: PA body, brass shaft, Zinc plating shaft, cam, sand bright chrome plating rack
- Finish :Matt black
- Panel thickness: 1~3mm
- Remark: cam cutout 8×8

- 材质: PA锁体, 铜转轴, 或镀锌钢转轴、锁片, 喷砂镀铬齿条
- 表面处理: 黑色沙纹面
- 适用门板厚度: 2mm
- 备注: 锁片开孔 8×8
- Material: PA body, brass shaft, Zinc plating shaft, cam, sand bright chrome plating rack
- Finish :Matt black
- Panel thickness: 1~3mm
- Remark: cam cutout 8×8

产品型号及特性 Product Number						
三点式门锁 (带锁片, 带拉杆) three point lock (with cam and rod)						
锁芯类别 Insert types	有防水盖 with	产品单重(g) Weight	装箱数 Lot	无防水盖 without	产品单重(g) Weight	装箱数 Lot
K0100(A)	MS100-3A-3A		50	MS100-3A-3AN		50
K0133(B)	MS100-3A-3B		50	MS100-3A-3BN		50
K0710(C)	MS100-3A-3C		50	MS100-3A-3CN		50
K0730(D)	MS100-3A-3D		50	MS100-3A-3DN		50

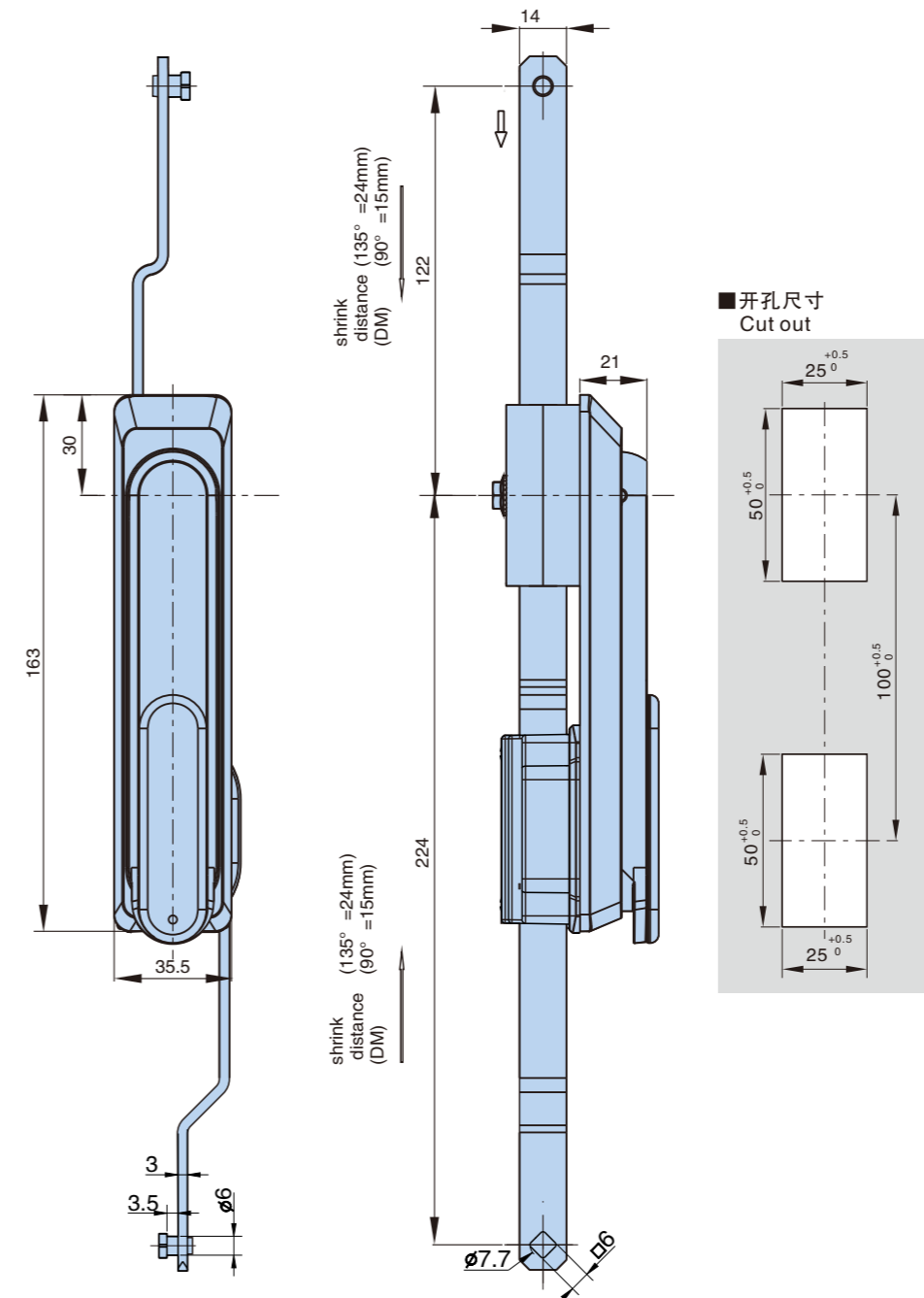
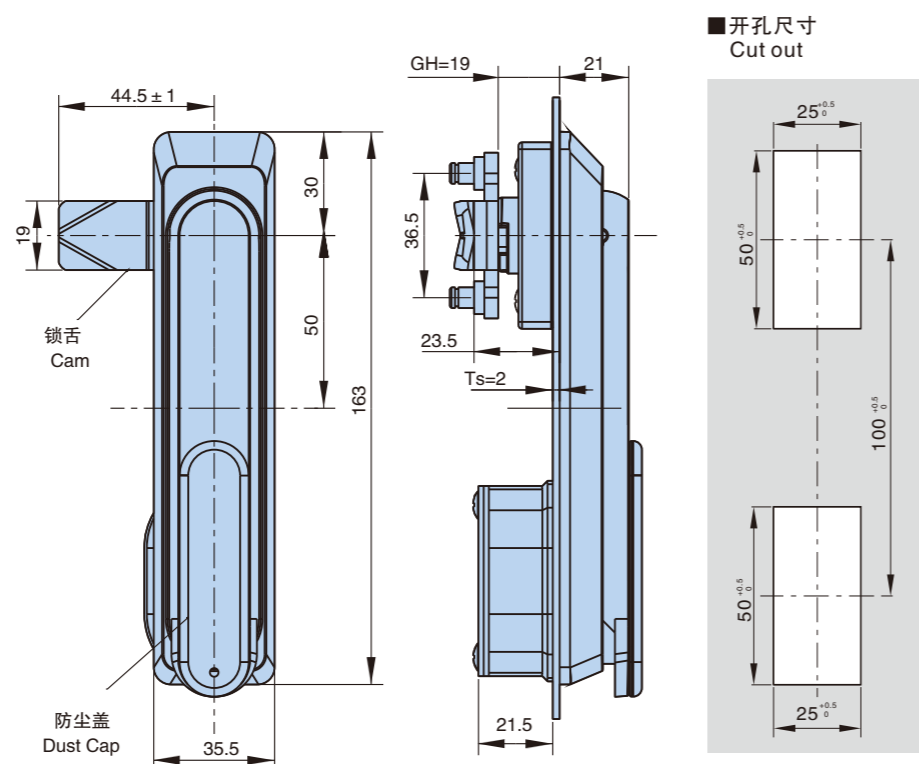
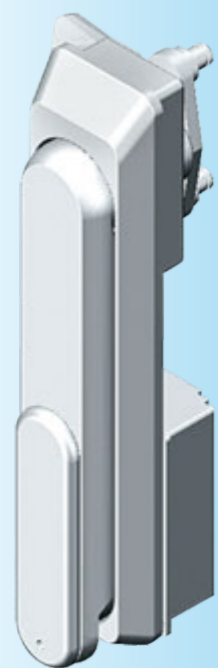
产品型号及特性 Product Number						
带挂锁扣装置 (padlock device)						
三点式门锁 (带锁片, 带拉杆) three point lock (with cam and rod)						
锁芯类别 Insert types	有防水盖 with	产品单重(g) Weight	装箱数 Lot	无防水盖 without	产品单重(g) Weight	装箱数 Lot
K0100(A)	MS100-3A-3AG		50	MS100-3A-3AGN		50
K0133(B)	MS100-3A-3BG		50	MS100-3A-3BGN		50
K0710(C)	MS100-3A-3CG		50	MS100-3A-3CGN		50
K0730(D)	MS100-3A-3DG		50	MS100-3A-3DGN		50

MS100-3S

锁片传动式连杆锁 Cam Drive Rod Control Lock

齿轮传动式连杆锁 Gear Drive Rod Control Lock

MS100-3S



- 材质: 不锈钢锁体, 喷砂镀铬齿条
- 表面处理: 拉丝
- 适用门板厚度: 1~3mm
- Material: Stainless steel body, nickel plating driving rod sand bright chrome plating rack
- Finish: drawing,
- Panel thickness: 1~3mm

- 材质: 不锈钢锁体, 喷砂镀铬齿条
- 表面处理: 拉丝
- 适用门板厚度: 1~3mm
- Material: Stainless steel body, nickel plating driving rod sand bright chrome plating rack
- Finish: drawing,
- Panel thickness: 1~3mm

型号 Product no.	产品单重(g) Weight	装箱数Lot
MS100-3S-1		

型号 Product no.	产品单重(g) Weight	装箱数Lot
MS100-3S-2	854	50

A拉手系列
Handles series

B平面锁系列
Plane lock series

C连杆锁系列
Rod control series

D面板锁系列
Plane lock series

E执手锁系列
Handle lock series

F转舌锁系列
Cam lock series

G铰链系列
Hinge series

H搭扣锁系列
Toggle lock series

I门销系列
Door bolt series

J电子锁系列
Electronic lock series

K密封条系列
Gasketing series

L限位系列
Door stop series

M附件系列
Accessories series

N不锈钢件系列
Stainless steel series

A拉手系列
Handles series

B平面锁系列
Plane lock series

C连杆锁系列
Rod control series

D面板锁系列
Plane lock series

E执手锁系列
Handle lock series

F转舌锁系列
Cam lock series

G铰链系列
Hinge series

H搭扣锁系列
Toggle lock series

I门销系列
Door bolt series

J电子锁系列
Electronic lock series

K密封条系列
Gasketing series

L限位系列
Door stop series

M附件系列
Accessories series

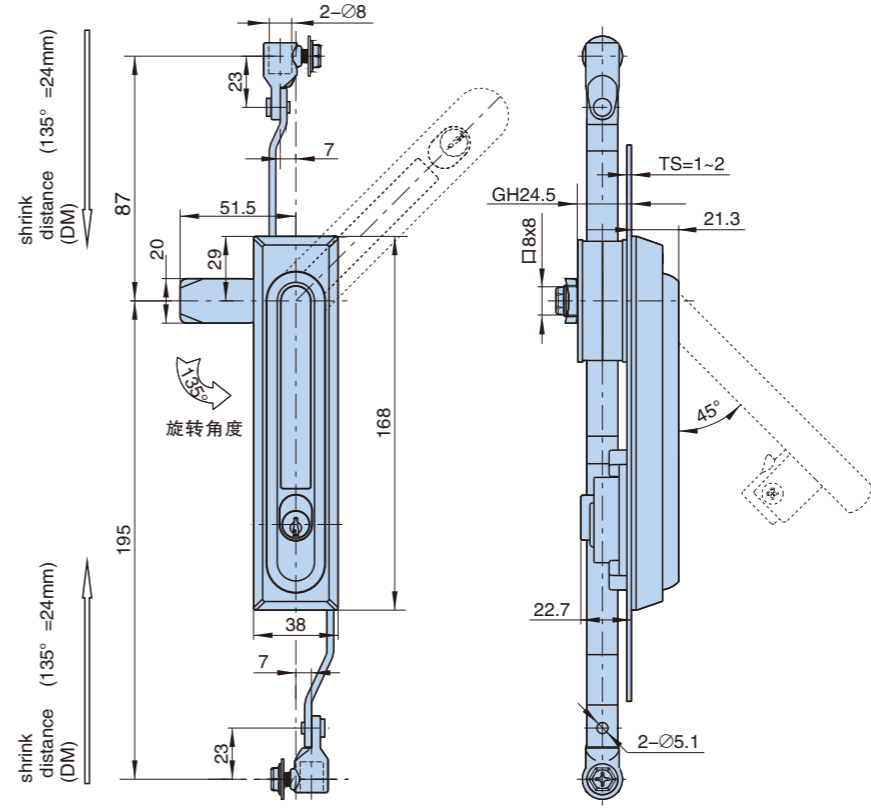
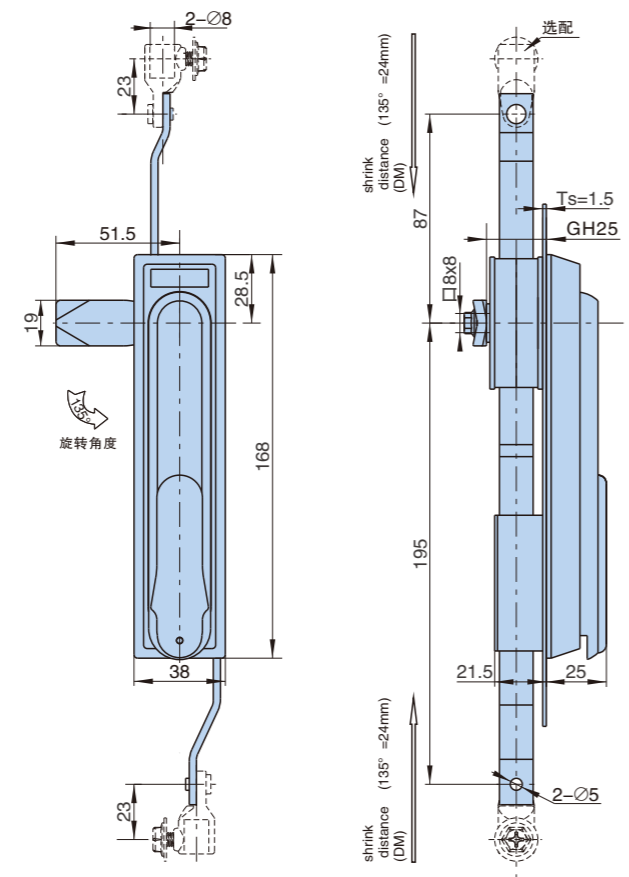
N不锈钢件系列
Stainless steel series

MS100-4-1

齿轮传动式连杆锁 Gear Drive Rod Control Lock

齿轮传动式连杆锁 Gear Drive Rod Control Lock

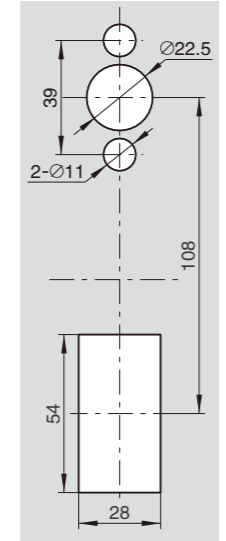
MS4092P-1-1



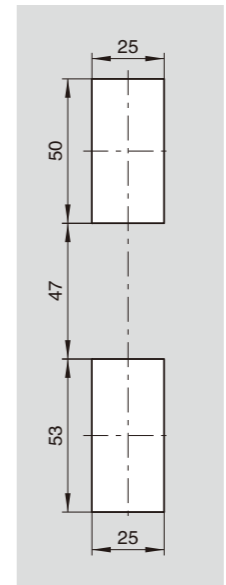
- 材质: PA锁体, 锌合金转轴, 齿轮盒, 喷砂镀铬亮铬齿条
- 表面处理: 镀铬亮铬锁芯、齿轮盒, 喷砂镀铬亮铬齿条
- 适用门板厚度: 1~3mm;
- 备注: 锁片开孔 8x8
- Material: PA body, Zinc alloy shaft, gear box, Sandblasting bright chrome plated rack
- Finish: bright chrome for the cylinder and gear box, sand bright chrome plating rack
- Panel thickness: 1~3mm;
- Remark: cam cutout 8x8

- 材质: PA锁壳、锁背, 不锈钢装饰条, 锌合金锁芯壳、锁芯、齿轮盒, 碳钢齿条
- 表面处理: 黑色沙纹面
- 结构功能: 锁背135度旋转带动, 齿轮盒组件实现开启和锁闭。
- 适用门板厚: 2mm
- 备注: 锁片开孔 8x8
- Material: PA with 30% glass fiber for the housing and handle, stainless steel for the trim strip, zinc alloy for the cylinder, cylinder shell and gear box, steel for the rods.
- Finish: black sand grain surface.
- Function: 135° rotation of the handle drive the gear box to lock and unlock.
- Panel thickness: 2mm.
- Remark: 8x8 cut-out.

开孔尺寸
Cut Out



开孔尺寸
Cut Out



型号 Product no.	产品单重(g) Weight	装箱数 Lot
MS100-4-1	534	50

型号 Product no.	产品单重(g) Weight	装箱数 Lot
MS4092P-1-1	541.7	50

A拉手系列
Handles series

B平面锁系列
Plane lock series

C连杆锁系列
Rod control series

D面板锁系列
Plane lock series

E执手锁系列
Handle lock series

F转舌锁系列
Cam lock series

G铰链系列
Hinge series

H搭扣锁系列
Toggle lock series

I门销系列
Door bolt series

J电子锁系列
Electronic lock series

K密封条系列
Gasketing series

L限位系列
Door stop series

M附件系列
Accessories series

N不锈钢件系列
Stainless steel series

索引
Index

A拉手系列
Handles series

B平面锁系列
Plane lock series

C连杆锁系列
Rod control series

D面板锁系列
Plane lock series

E执手锁系列
Handle lock series

F转舌锁系列
Cam lock series

G铰链系列
Hinge series

H搭扣锁系列
Toggle lock series

I门销系列
Door bolt series

J电子锁系列
Electronic lock series

K密封条系列
Gasketing series

L限位系列
Door stop series

M附件系列
Accessories series

N不锈钢件系列
Stainless steel series

索引
Index

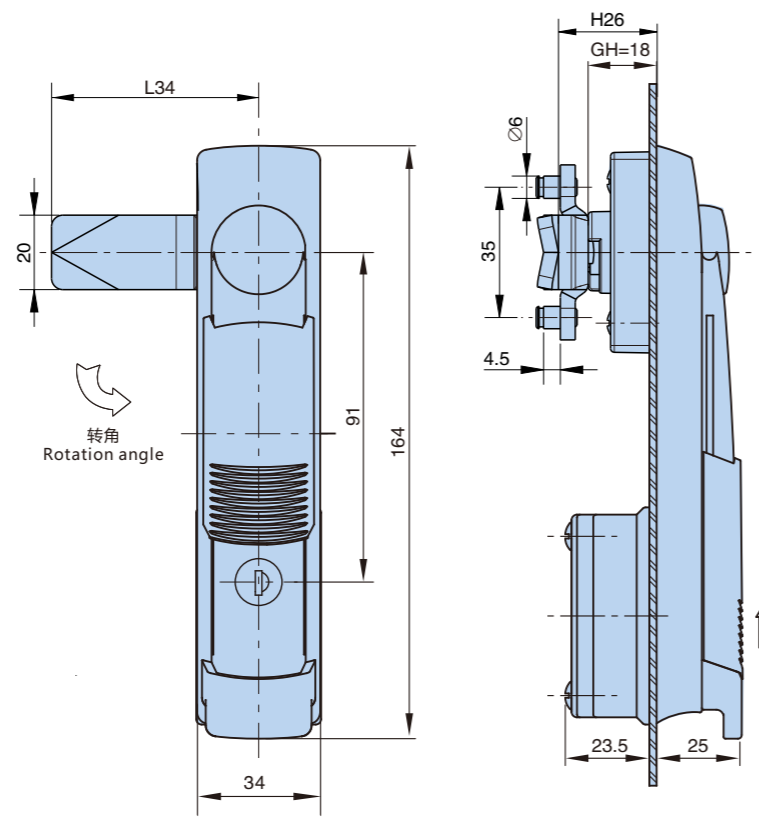
MS824

锁片传动式连杆锁 Cam Drive Rod Control Lock

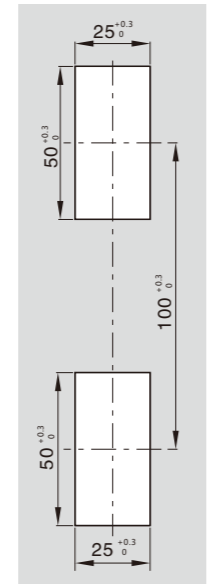


MS824-1-1

- 材质: PA锁体, 锌合金转轴, 镀锌锁片, 喷砂镀铬齿条
- 适用门板厚度: 1~2mm
- 表面处理: 黑色沙纹面
- 锁片开孔: $\square 8 \times 8$
- 备注: 转轴后盖有带定位和不带定位之分
- Material: PA body, Zinc alloy shaft Zinc plating cam, sand bright chrome plating rack
- Panel thickness: 1~2mm
- Finish: Matt black
- cam cutout: $\square 8 \times 8$
- Remark: shaft cover can be with or without stopper plate available.



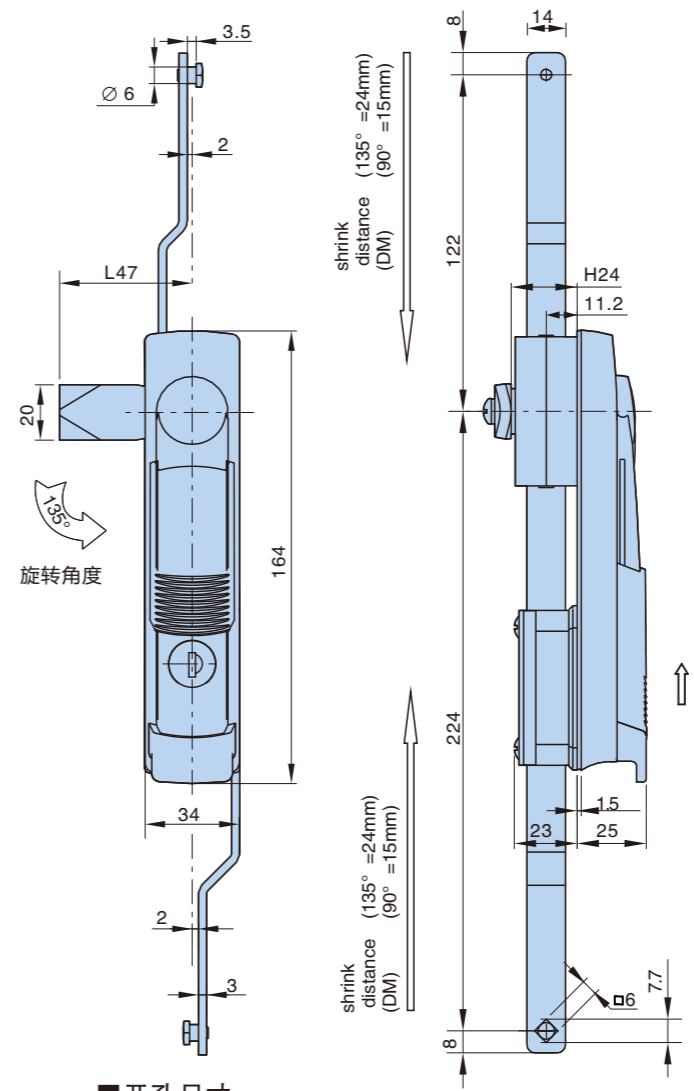
开孔尺寸
Cut out



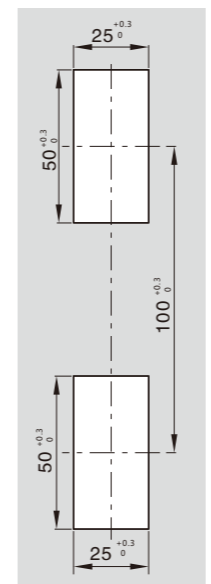
产品型号及特性 Product Number	单点式门锁 (带锁片, 不带拉杆) one point lock(with cam,without rod)	产品单重(g) Weight	装箱数 Lot
	转角Rotation angle		
MS824-1-1	360°	286	50
MS824-1-1L	顺时针 (CW)90°	286	50
MS824-1-1R	逆时针 (ACW)90°	286	50

齿轮传动式连杆锁 Gear Drive Rod Control Lock

MS824



开孔尺寸
Cut out



产品型号及特性 Product Number		产品单重(g) Weight	装箱数 Lot
MS824-1-2	双点式门锁 (带拉杆, 不带钢栓) two point lock(with rod,without cam)	387	50
MS824-1-3	三点式门锁 (带钢栓, 带拉杆) three point lock(with cam and rod)	387	50



MS824-1-MS824-1-3

K333

- 材质: PA锁体, 锌合金转轴, 镀锌锁片, 喷砂镀铬齿条
- 适用门板厚度: 1~2mm
- 表面处理: 黑色沙纹面
- 备注: 锁片开孔 $\square 8 \times 8$
- Material: PA body, Zinc alloy shaft Zinc plating cam, sand bright chrome plating rack
- Panel thickness: 1~2mm
- Finish: Matt black
- Remark: cam cutout $\square 8 \times 8$

MS822

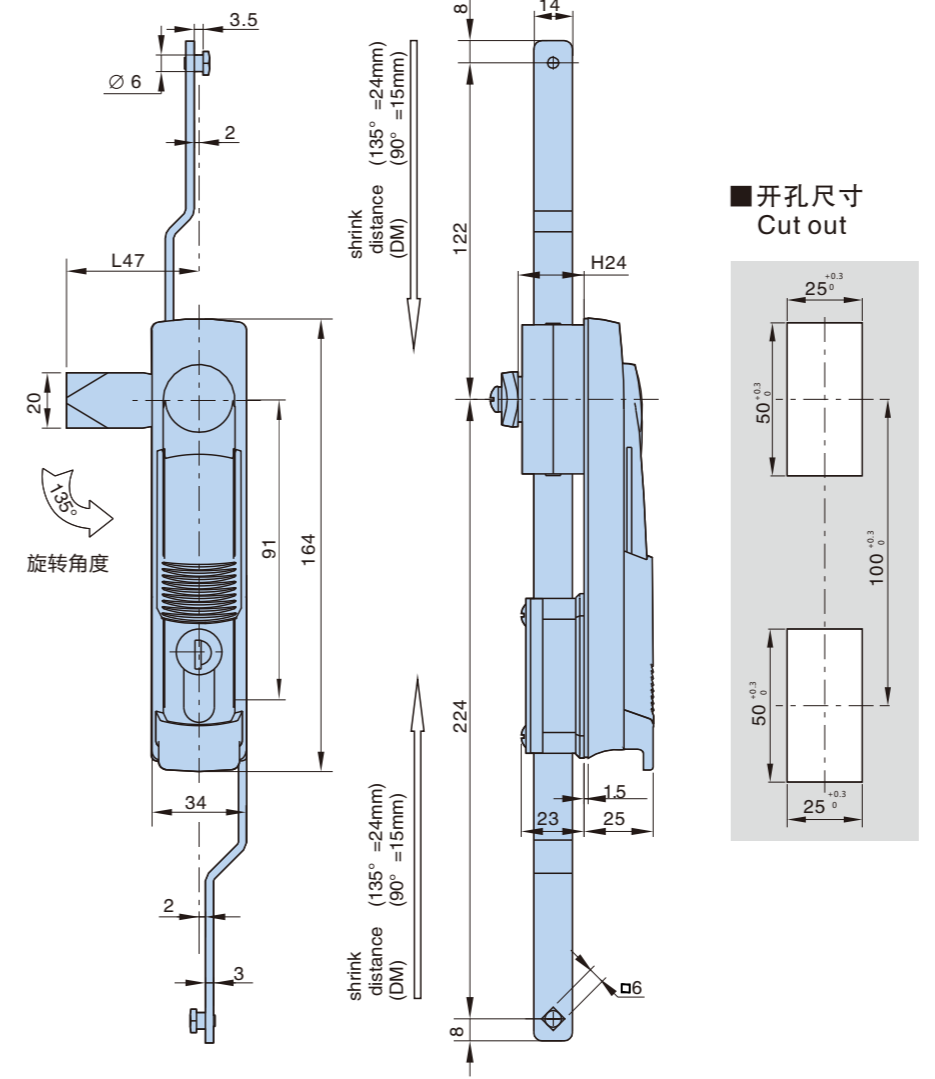
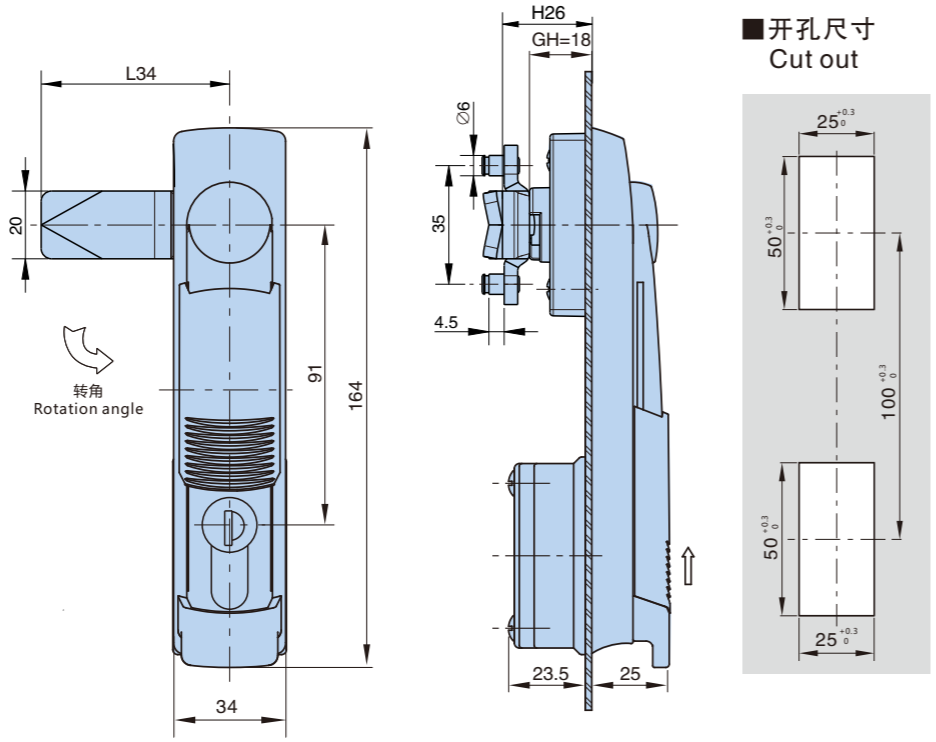
锁片传动式连杆锁 Cam Drive Rod Control Lock

齿轮传动式连杆锁 Gear Drive Rod Control Lock

MS822

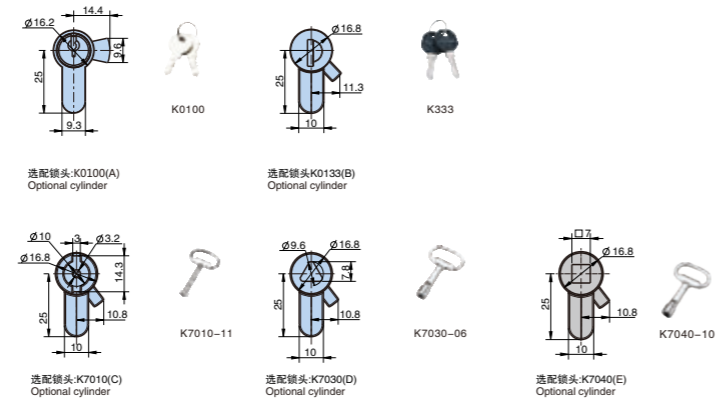


MS822-1-1B

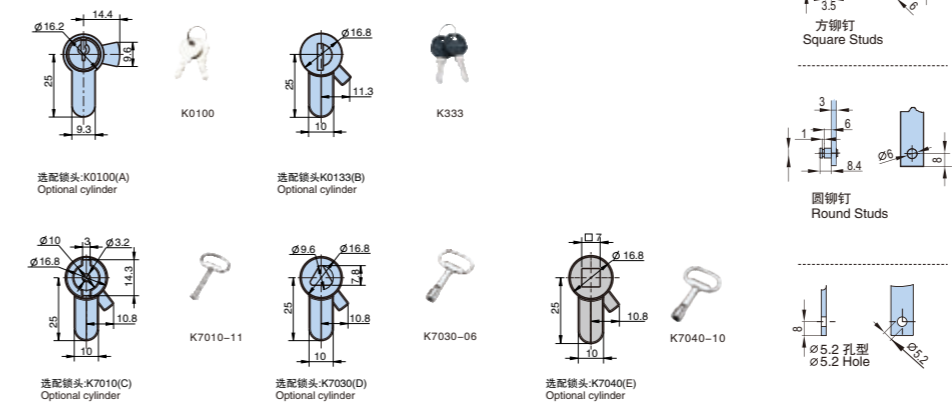


MS822-1-2D

选配锁头系列 Optional cylinder series



选配锁头系列 Optional cylinder series



- 材质: PA锁体, 锌合金转轴, 镀锌锁片, 喷砂镀亮铬齿条
- 适用门板厚度: 1~2mm
- 表面处理: 黑色沙纹面
- 锁片开孔: $\square 8 \times 8$
- 备注: 转轴后盖有带定位和不带定位之分
- Material: PA body, Zinc alloy shaft Zinc plating cam, sand bright chrome plating rack
- Panel thickness: 1~2mm
- Finish: Matt black
- cam cutout: $\square 8 \times 8$
- Remark: shaft cover can be with or without stopper plate available.

锁芯类别 Insert types	产品型号及特性 Product Number	单点式门锁 (带锁片, 不带拉杆) one point lock (with cam, without rod)		
		转角 Rotation angle	产品单重 (g) Weight	装箱数 Lot
K0100(A)	MS822-1-1B	360°	408	50
	MS822-1-1BL	顺时针 (CW)90°	408	50
	MS822-1-1BR	逆时针 (ACW)90°	408	50
K0133(B)	MS822-1-1B	360°	425	50
	MS822-1-1BL	顺时针 (CW)90°	425	50
	MS822-1-1BR	逆时针 (ACW)90°	425	50
K7010(C)	MS822-1-1C	360°	438	50
	MS822-1-1CL	顺时针 (CW)90°	438	50
	MS822-1-1CR	逆时针 (ACW)90°	438	50
K7030(D)	MS822-1-1D	360°	442	50
	MS822-1-1DL	顺时针 (CW)90°	442	50
	MS822-1-1DR	逆时针 (ACW)90°	442	50

锁芯类别 Insert types	产品型号及特性 Product Number					
	双点式门锁 (带拉杆, 不带锁片) two point lock (with rod, without cam)			三点式门锁 (带锁片, 带拉杆) three point lock (with cam and rod)		
	产品单重 (g) Weight	装箱数 Lot	产品单重 (g) Weight	装箱数 Lot	产品单重 (g) Weight	装箱数 Lot
K0100(A)	MS822-1-2A	438	50	MS822-1-3A	458	50
K0133(B)	MS822-1-2B	455	50	MS822-1-3B	486	50
K7010(C)	MS822-1-2C	468	50	MS822-1-3C	495	50
K7030(D)	MS822-1-2D	472	50	MS822-1-3D	500	50

- 材质: PA锁体, 锌合金转轴, 镀锌锁片, 喷砂镀亮铬齿条
- 适用门板厚度: 1~2mm
- 表面处理: 黑色沙纹面
- 备注: 锁片开孔 $\square 8 \times 8$
- Material: PA body, Zinc alloy shaft Zinc plating cam, sand bright chrome plating rack
- Panel thickness: 1~2mm
- Finish: Matt black
- Remark: cam cutout $\square 8 \times 8$

MS8460P



NEW



MS8460P-2-1BR



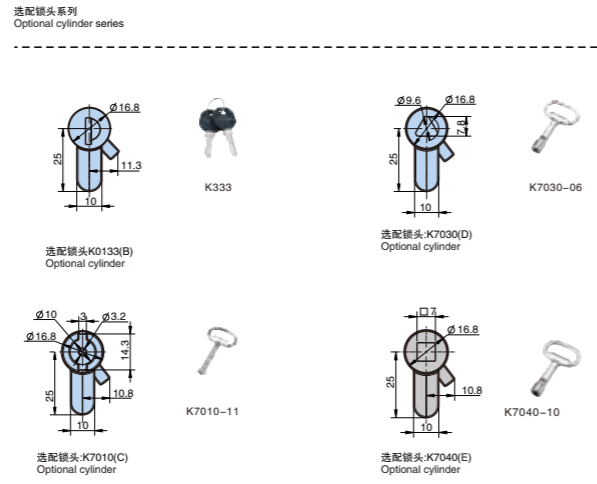
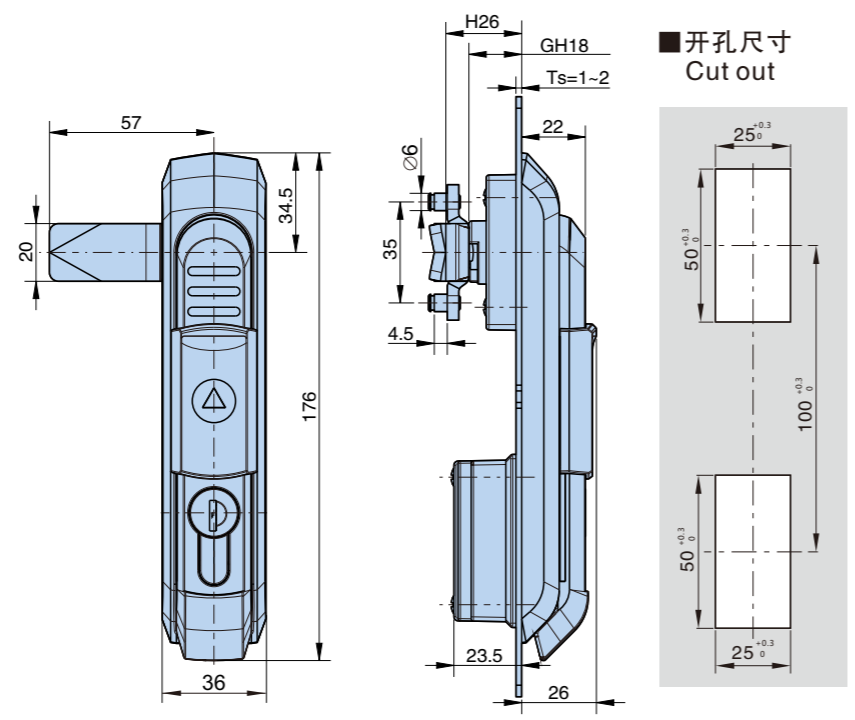
MS8460P-2-1CR



MS8460P-2-1DR

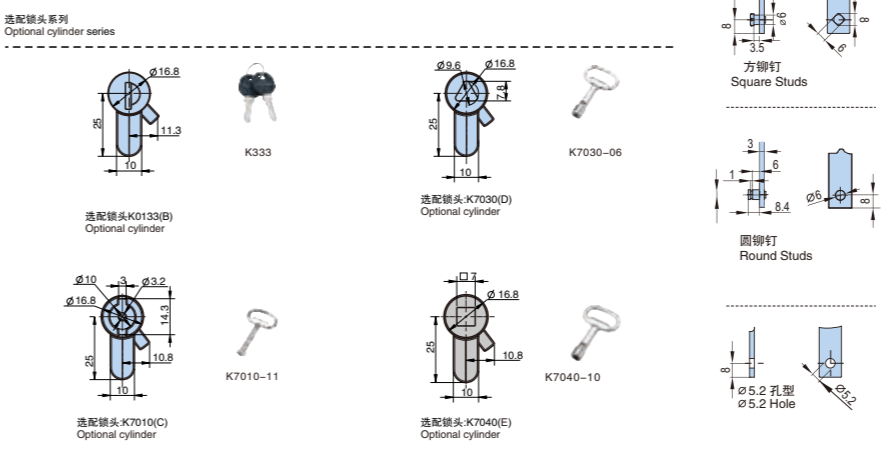
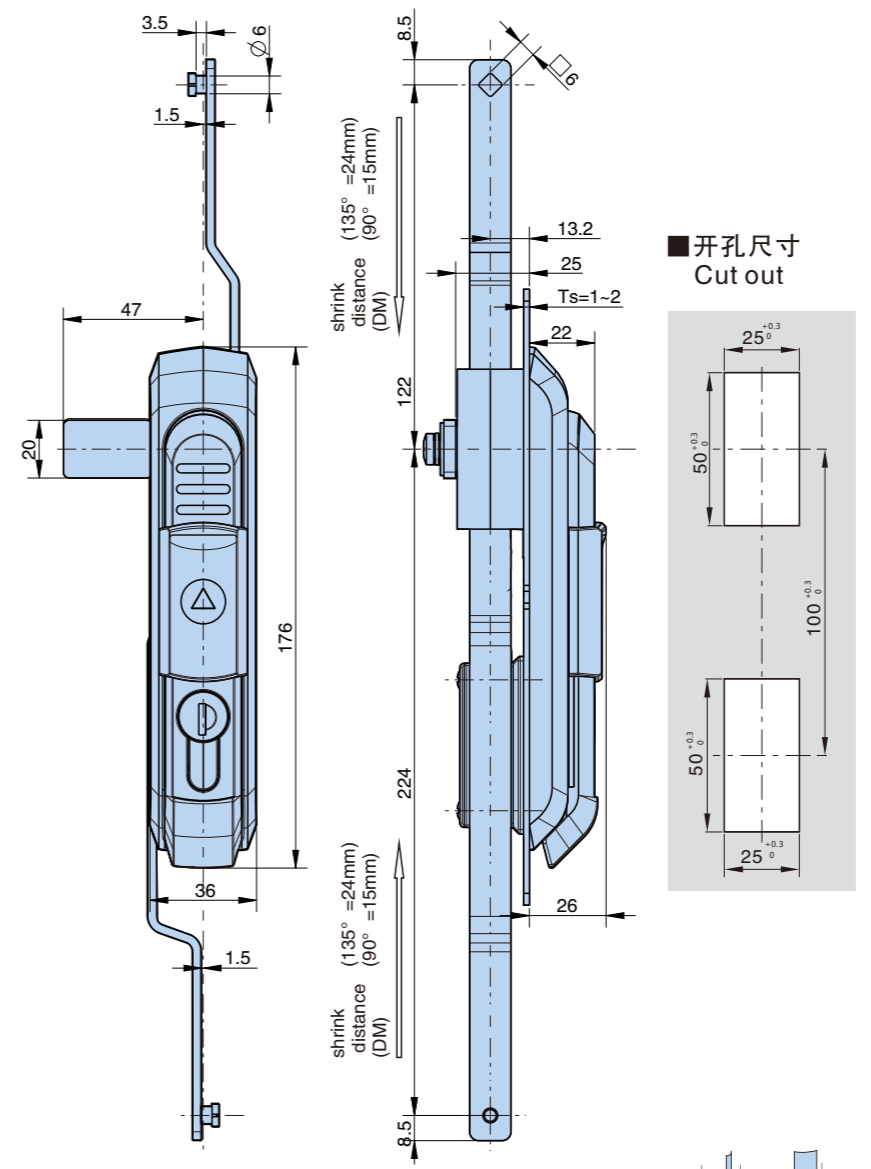
- 材质: PA锁体, 锌合金转轴, 镀锌锁片, 喷砂镀铬齿条
- 适用门板厚度: 1~2mm
- 表面处理: 黑色沙纹面
- 锁片开孔: 8×8
- 备注: 转轴后盖有带定位和不带定位之分
- Material: PA body, Zinc alloy shaft Zinc plating cam, sand bright chrome plating rack
- Panel thickness: 1~2mm
- Finish: Matt black
- cam cutout: 8×8
- Remark: shaft cover can be with or without stopper plate available.

锁片传动式连杆锁 Cam Drive Rod Control Lock



锁芯类别 Insert types	产品型号及特性 Product Number	单点式门锁 (带锁片, 不带拉杆) one point lock (with cam, without rod)		
		转角 Rotation angle	产品单重 (g) Weight	装箱数 Lot
K0133(B)	MS8460P-2-1B	360°	278.5	100
	MS8460P-2-1BL	顺时针 (CW)90°	278.5	100
	MS8460P-2-1BR	逆时针 (ACW)90°	278.5	100
K7010(C)	MS8460P-2-1C	360°	312	100
	MS8460P-2-1CL	顺时针 (CW)90°	312	100
K7030(D)	MS8460P-2-1DL	顺时针 (CW)90°	305	100
	MS8460P-2-1DR	逆时针 (ACW)90°	305	100

齿轮传动式连杆锁 Gear Drive Rod Control Lock



锁芯类别 Insert types	产品型号及特性 Product Number					
	双点式门锁 (带拉杆, 不带锁片) two point lock (with rod, without cam)	产品单重 (g) Weight	装箱数 Lot	三点式门锁 (带锁片, 带拉杆) three point lock (with cam and rod)	产品单重 (g) Weight	装箱数 Lot
K0133(B)	MS8460P-2-2B	423	50	MS8460P-2-3B	458	50
K7010(C)	MS8460P-2-2C	448.5	50	MS8460P-2-3C	487.5	50
K7030(D)	MS8460P-2-2D	442.5	50	MS8460P-2-3D	482.5	50

MS8460P



NEW



MS8460P-2-2B



MS8460P-2-3B

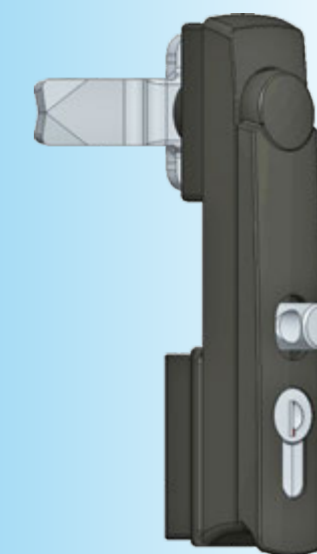
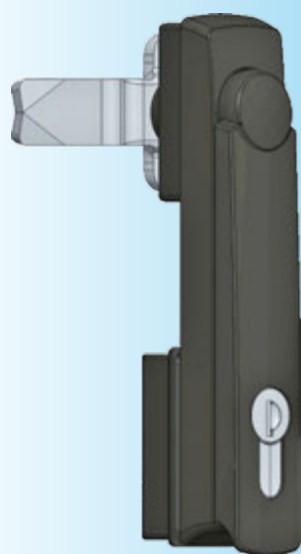
- 材质: PA锁体, 锌合金转轴, 镀锌锁片, 喷砂镀铬齿条
- 适用门板厚度: 1~2mm
- 表面处理: 黑色沙纹面
- 备注: 锁片开孔 8×8
- Material: PA body, Zinc alloy shaft Zinc plating cam, sand bright chrome plating rack
- Panel thickness: 1~2mm
- Finish: Matt black
- Remark: cam cutout 8×8

MS832

锁片传动式连杆锁 Cam Drive Rod Control Lock

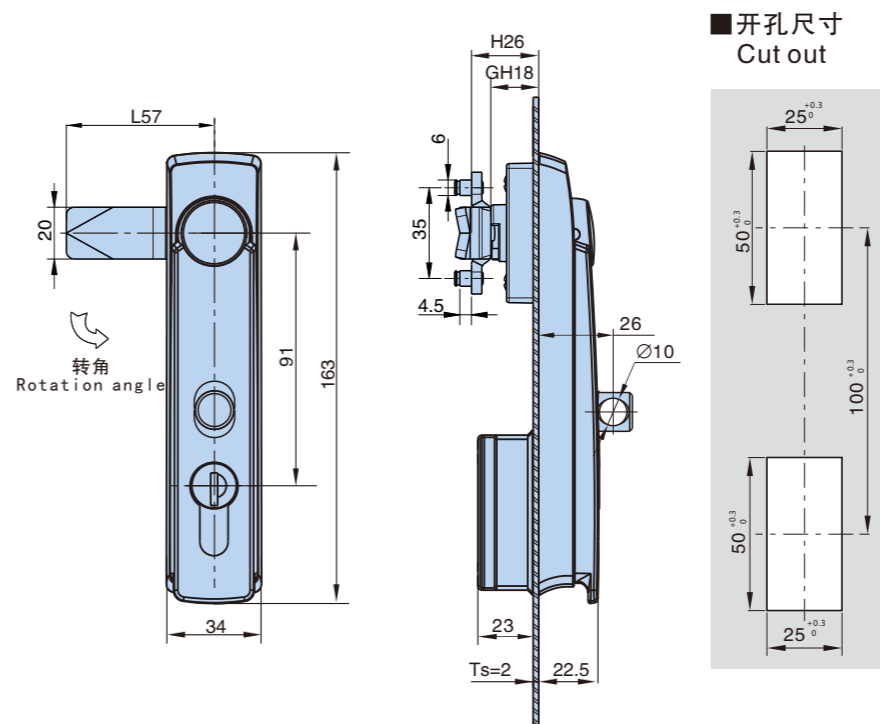
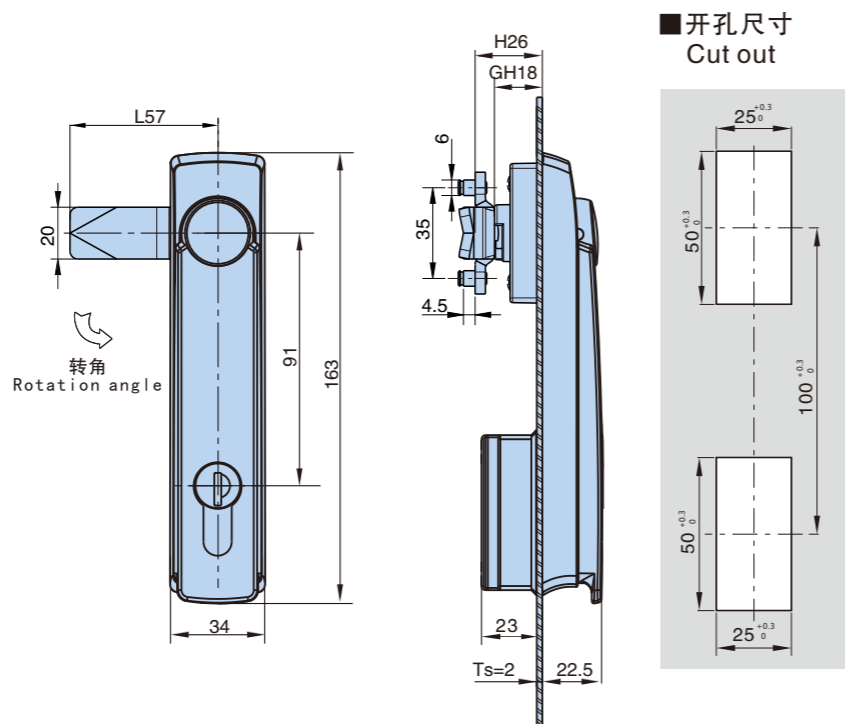
锁片传动式连杆锁 Cam Drive Rod Control Lock

MS832



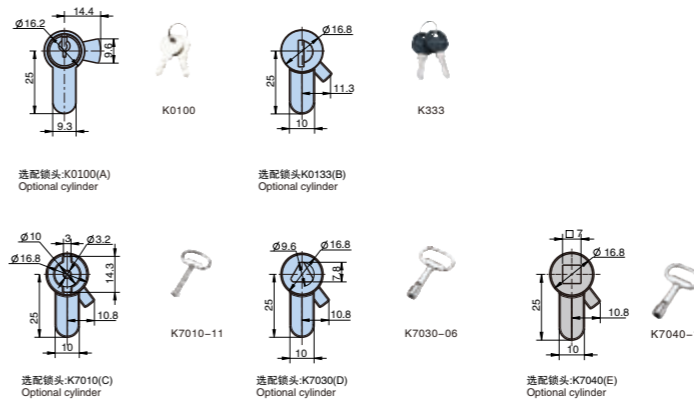
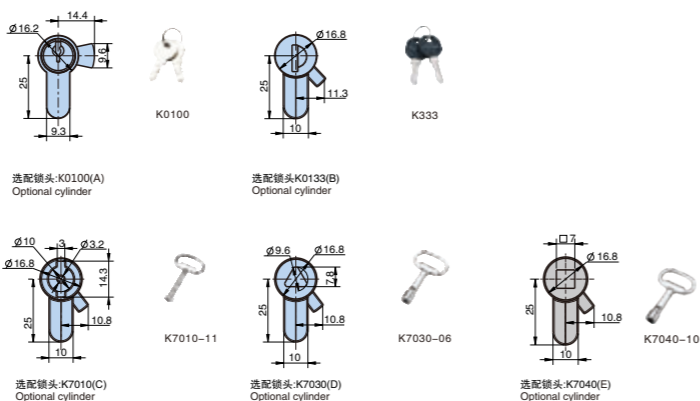
MS832-1-1B

MS832-1-1BG



选配锁头系列
Optional cylinder series

选配锁头系列
Optional cylinder series



锁芯类别 Insert types	产品型号及特性 Product Number	单点式门锁 (带锁片, 不带拉杆) one point lock (with cam, without rod)		
		转角 Rotation angle	产品单重 (g) Weight	装箱数 Lot
K0100(A)	MS832-1-1A	360°		50
	MS832-1-1AL	顺时针 (CW)90°		50
	MS832-1-1AR	逆时针 (ACW)90°		50
K0133(B)	MS832-1-1B	360°		50
	MS832-1-1BL	顺时针 (CW)90°		50
K7010(C)	MS832-1-1BR	逆时针 (ACW)90°		50
	MS832-1-1C	360°		50
	MS832-1-1CL	顺时针 (CW)90°		50
K7030(D)	MS832-1-1CR	逆时针 (ACW)90°		50
	MS832-1-1D	360°		50
	MS832-1-1DL	顺时针 (CW)90°		50
MS832-1-1DR	逆时针 (ACW)90°		50	

锁芯类别 Insert types	产品型号及特性 Product Number	单点式门锁 (带锁片, 带挂锁扣装置) one point lock (with cam, without rod, padlock device)		
		转角 Rotation angle	产品单重 (g) Weight	装箱数 Lot
K0100(A)	MS832-1-1AG	360°		50
	MS832-1-1AGL	顺时针 (CW)90°		50
	MS832-1-1AGR	逆时针 (ACW)90°		50
K0133(B)	MS832-1-1BG	360°		50
	MS832-1-1BGL	顺时针 (CW)90°		50
K7010(C)	MS832-1-1BGR	逆时针 (ACW)90°		50
	MS832-1-1CG	360°		50
	MS832-1-1CGL	顺时针 (CW)90°		50
K7030(D)	MS832-1-1CGR	逆时针 (ACW)90°		50
	MS832-1-1DG	360°		50
	MS832-1-1DGL	顺时针 (CW)90°		50
MS832-1-1DGR	逆时针 (ACW)90°		50	

- 材质: PA锁体, 锌合金转轴, 镀锌锁片, 喷砂镀铬齿条
- 适用门板厚度: 2mm
- 表面处理: 黑色沙纹面
- 锁片开孔: □8×8
- 备注: 转轴后盖有带定位和不带定位之分
- Material: PA body, Zinc alloy shaft Zinc plating cam, sand bright chrome plating rack
- Panel thickness: 2mm
- Finish: Matt black
- cam cutout: □8×8
- Remark: shaft cover can be with or without stopper plate are available.

- 材质: PA锁体, 锌合金转轴, 镀锌锁片, 喷砂镀铬齿条
- 适用门板厚度: 2mm
- 表面处理: 黑色沙纹面
- 锁片开孔: □8×8
- 备注: 转轴后盖有带定位和不带定位之分
- Material: PA body, Zinc alloy shaft Zinc plating cam, sand bright chrome plating rack
- Panel thickness: 2mm
- Finish: Matt black
- cam cutout: □8×8
- Remark: shaft cover can be with or without stopper plate are available.

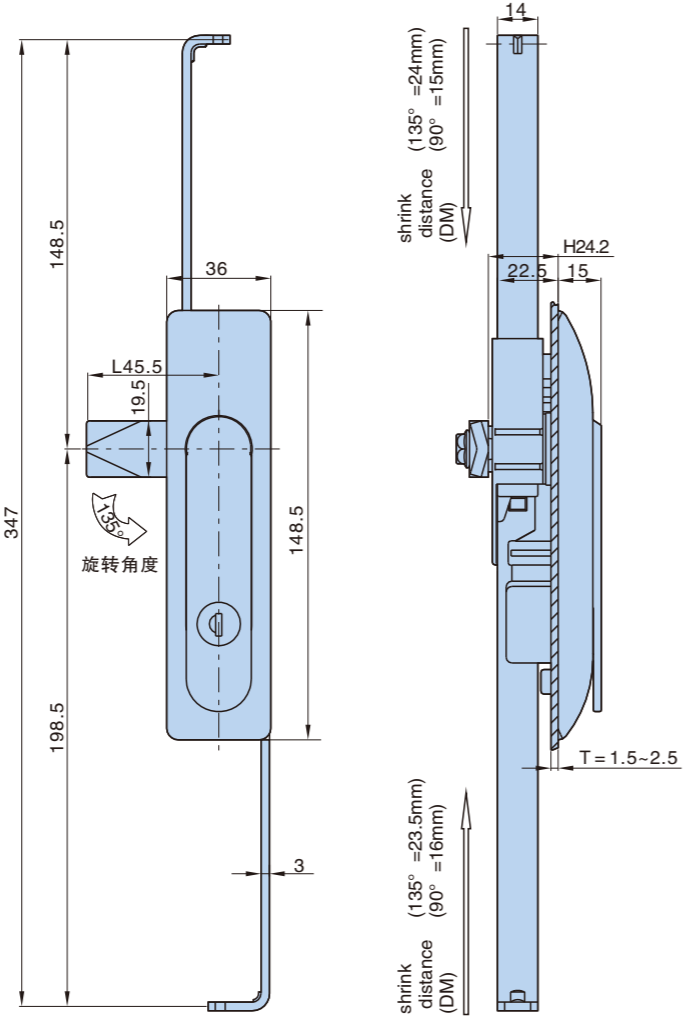
MS827-1-1

齿轮传动式连杆锁 Gear Drive Rod Control Lock

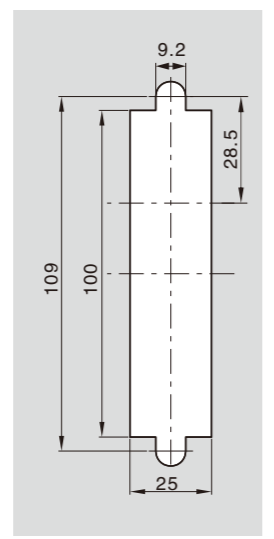


MS827-1-1

- 材质: PA锁体, 镀锌锁片、喷砂镀铬齿条
- 表面处理: 黑色沙纹面
- 适用门板厚度: 1~2.5mm
- 备注: 锁片开孔 8×8
- Material: PA lock body, fixing parts, Zinc plating cam, sand bright chrome plating rack
- Finish :Matt black
- Panel thickness:1~2.5mm
- Remark: cam cutout 8×8



■开孔尺寸
Cut out



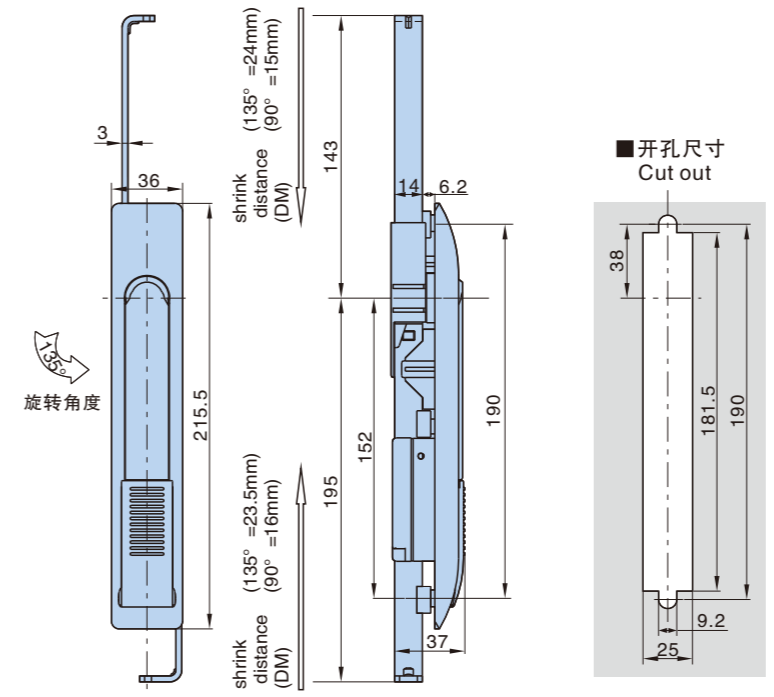
型号 Product no.	产品单重(g) Weight	装箱数Lot
MS827-1-1	368	50

齿轮传动式连杆锁 Gear Drive Rod Control Lock

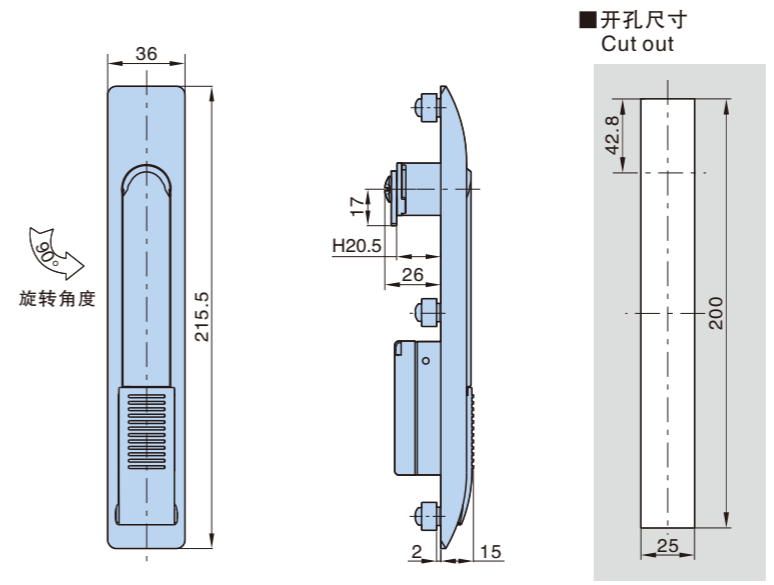
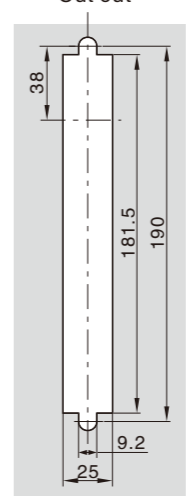
MS828



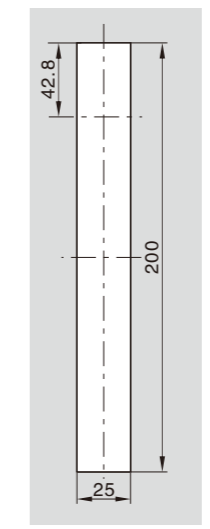
- 材质: 锌合金手柄, PA锁壳, 镀锌锁片, 喷砂镀铬齿条
- 适用门板厚度: 1.5~4mm
- 全套锁闭系统(四个锁闭件,四个导向件)订货时另加特殊说明
- Material: Zinc die-casting handle, PA housing, Sandblasting bright chrome plated rack
- Panel thickness:1.5~4mm
- Complete set locking system(,4pcs rod guide, 4pcs catches)are on request.



■开孔尺寸
Cut out



■开孔尺寸
Cut out



型号 Product no.	产品单重(g) Weight	装箱数Lot
MS828-1-1	435	50
MS828-2-1	400	50



MS828-1-1



MS828-2-1

- 材质: 锌合金手柄, PA锁壳, 镀锌锁片
- 表面处理: 黑色沙纹面
- 适用门板厚度: 1.5~4mm
- 备注: 锁片开孔 8×8。
- Material: Zinc die-casting handle, PA housing, Zinc plating cam
- Panel thickness:1.5~4mm
- Finish :Matt black
- Remark: cam cutout 8×8.



A拉手系列
Handles
series

B平面锁系列
Plane lock
series

C连杆锁系列
Rod control
series

D面板锁系列
Plane lock
series

E执手锁系列
Handle lock
series

F转舌锁系列
Cam lock
series

G铰链系列
Hinge
series

H搭扣锁系列
Toggle lock
series

I门销系列
Door bolt
series

J电子锁系列
Electronic
lock series

K密封条系列
Gasketing
series

L限位系列
Door stop
series

M附件系列
Accessories
series

N不锈钢件系列
Stainless steel
series

索引
Index

A拉手系列
Handles
series

B平面锁系列
Plane lock
series

C连杆锁系列
Rod control
series

D面板锁系列
Plane lock
series

E执手锁系列
Handle lock
series

F转舌锁系列
Cam lock
series

G铰链系列
Hinge
series

H搭扣锁系列
Toggle lock
series

I门销系列
Door bolt
series

J电子锁系列
Electronic
lock series

K密封条系列
Gasketing
series

L限位系列
Door stop
series

M附件系列
Accessories
series

N不锈钢件系列
Stainless steel
series

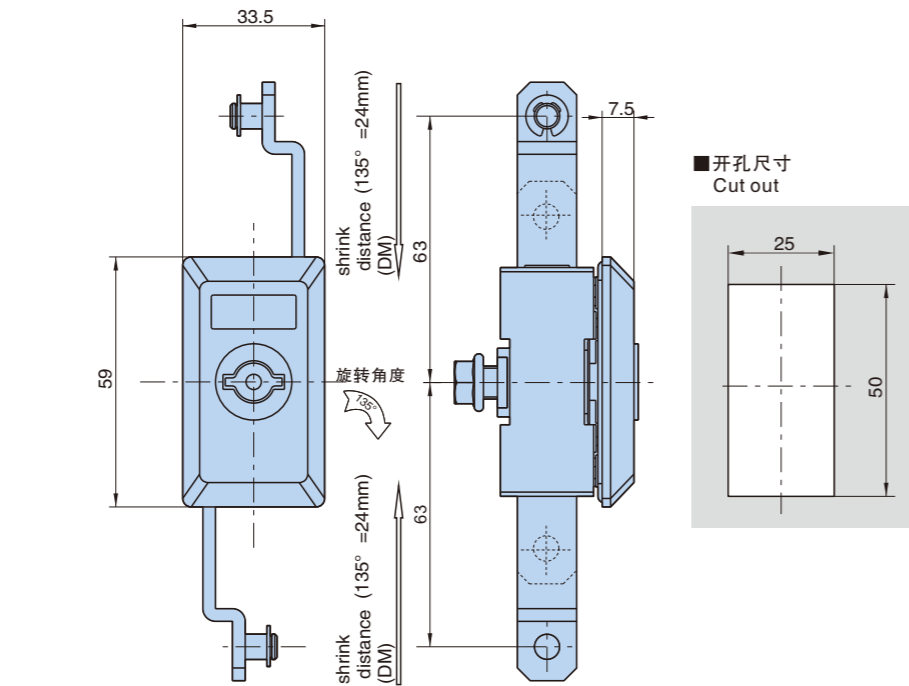
索引
Index

MS1002Z-1-1

齿轮传动式连杆锁 Gear Drive Rod Control Lock

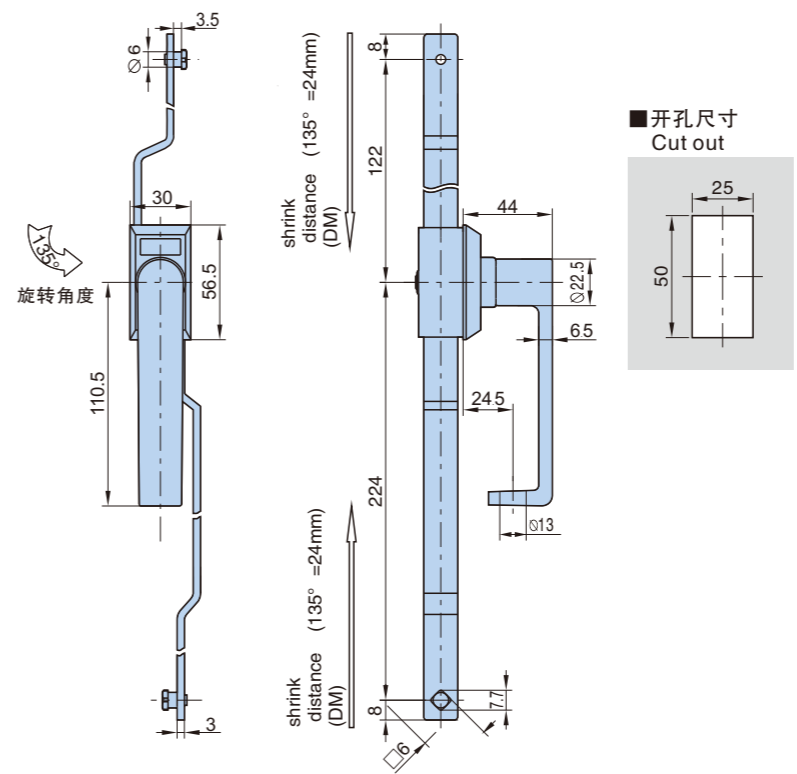


- 材质: PA锁壳, 锌合金锁芯, 齿轮盒, 喷砂镀铬齿条
- 表面处理: 喷无光黑
- 适用门板厚度: 1~3.5mm
- Material: PA lock housing, zinc alloy lock cylinder, rod control box, sand bright chrome plating rack
- Finish: Black powder coated
- Panel thickness: 1~3.5mm



型号 Product no.	产品单重(g) Weight	装箱数Lot
MS1002Z-1-1	184	100

齿轮传动式连杆锁 Gear Drive Rod Control Lock



型号 Product no.	产品单重(g) Weight	装箱数Lot
MS102C	450	100

MS102C



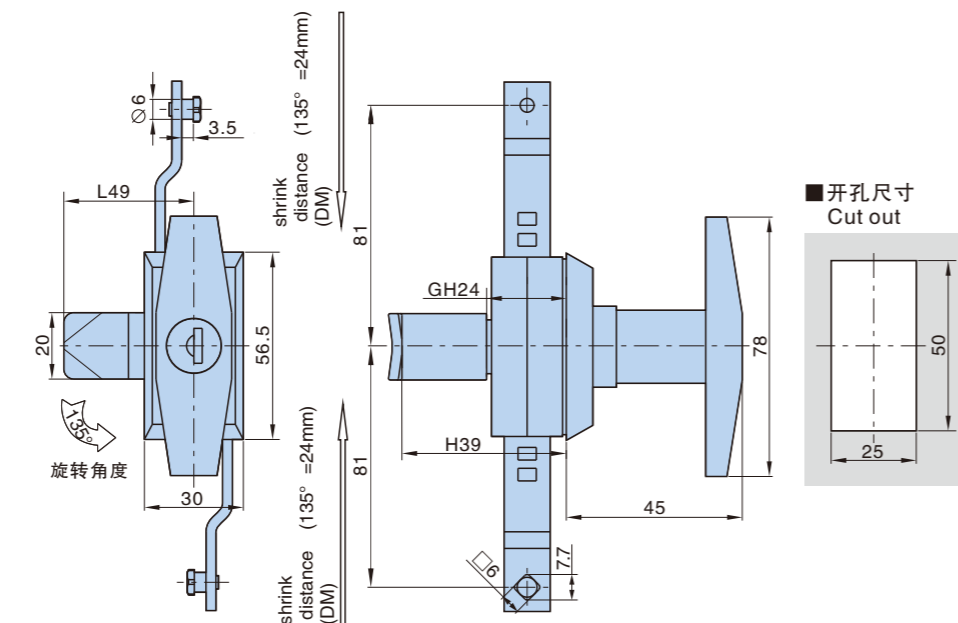
- 材质: 锌合金锁体、齿轮盒、镀锌锁片、喷砂镀铬齿条
- 表面处理: 喷无光黑
- 适用门板厚度: 1~2mm
- Material: Zinc die-casting body, Rod box, Zinc plating cam, sand bright chrome plating rack
- Finish: Black powder coated
- Panel thickness: 1~2mm

MS102-1

齿轮传动式连杆锁 Gear Drive Rod Control Lock

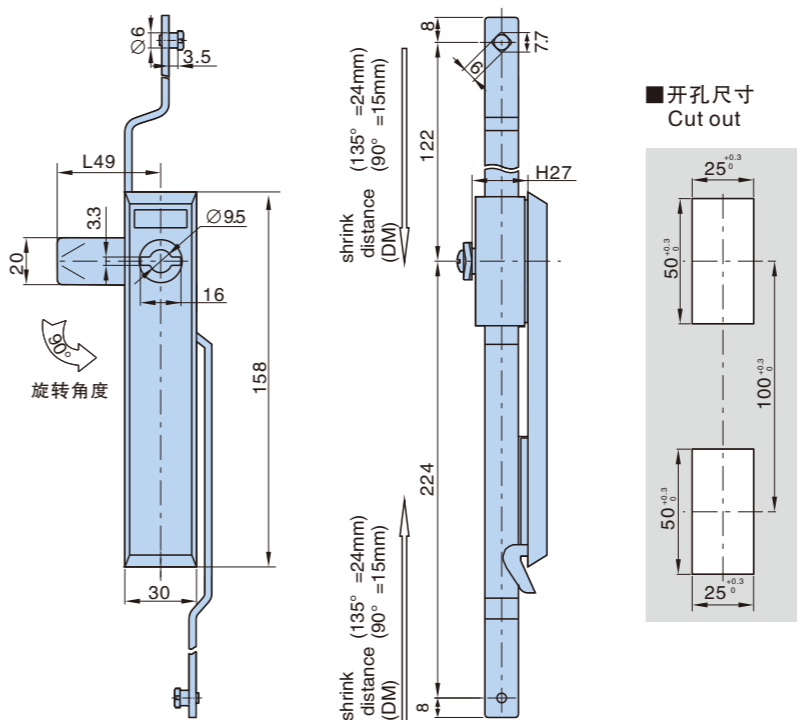


- 材质: PA锁体, 锌合金齿轮盒, 镀锌锁片、喷砂镀铬齿条
- 表面处理: 黑色沙纹面
- 适用门板厚度: 1~2mm
- Material: PA body, Zinc die-casting rod control box, Zinc plating cam, sand bright chrome plating rack
- Finish: Matt black
- Panel thickness: 1~2mm



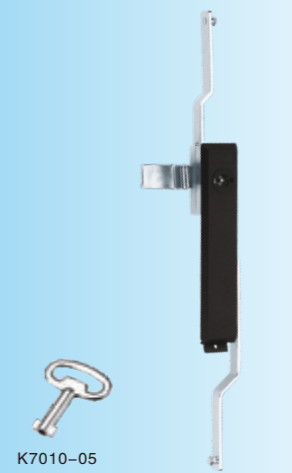
型号 Product no.	产品单重(g) Weight	装箱数Lot
MS102-1	399	50

齿轮传动式连杆锁 Gear Drive Rod Control Lock



型号 Product no.	产品单重(g) Weight	装箱数Lot
MS103C-1	300	50

MS103C-1



- 材质: PA锁体, 锌合金齿轮盒, 镀锌锁片、喷砂镀铬齿条
- 表面处理: 黑色沙纹面
- 适用门板厚度: 1~2mm
- Material: PA body, Zinc die-casting rod control box, Zinc plating cam, sand bright chrome plating rack
- Finish: Matt black
- Panel thickness: 1~2mm

MS103D

齿轮传动式连杆锁 Gear Drive Rod Control Lock

齿轮传动式连杆锁 Gear Drive Rod Control Lock

MS829

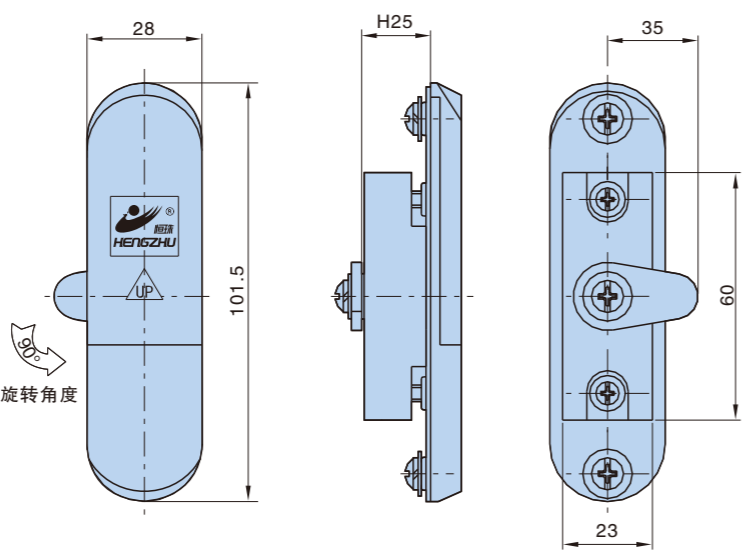
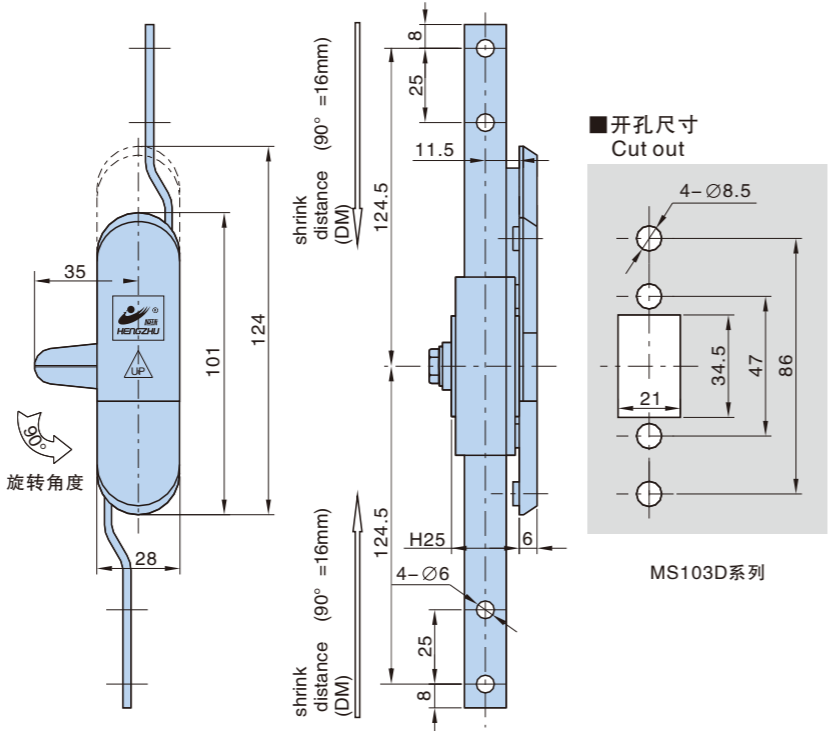


MS103D-1-2

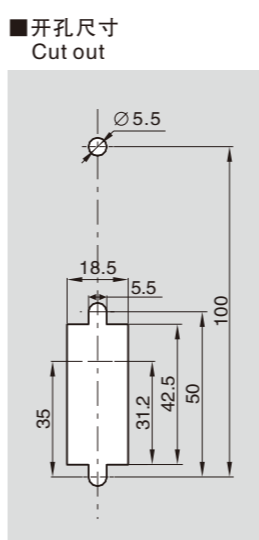
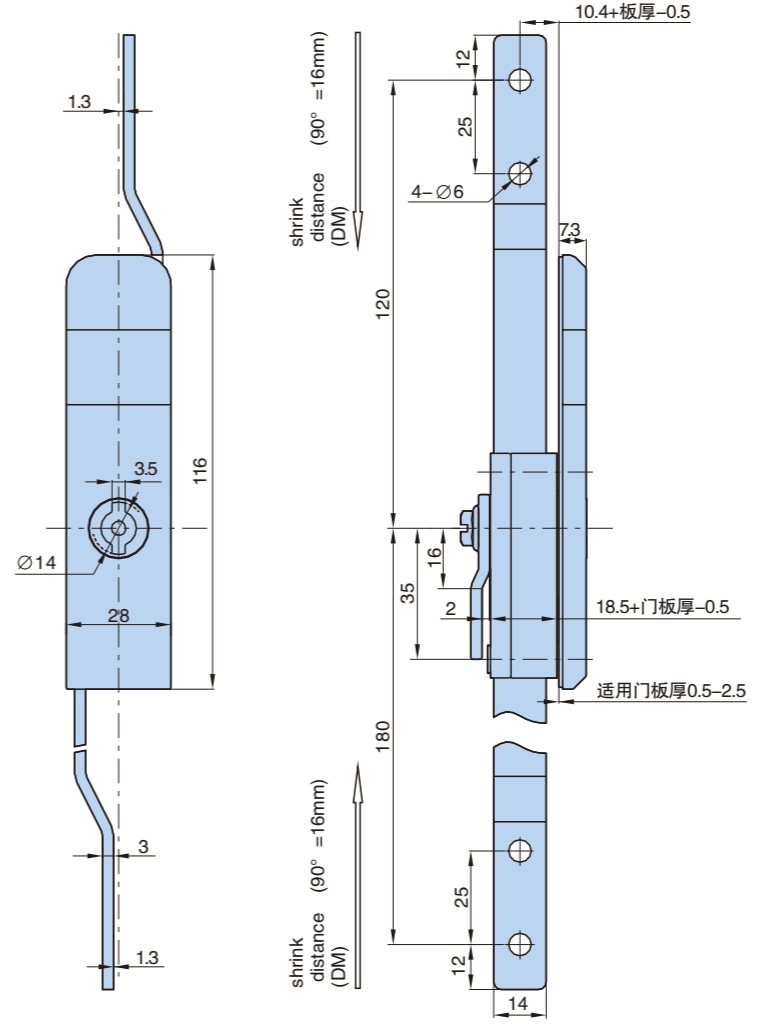


MS103D-2-1

- 材质: 锌合金锁体、镀锌锁片、喷砂镀铬齿条
- 表面处理: 镀铬
- 适用门板厚度: 1~3mm
- 备注: 锁片开孔 $\square 7 \times 7$
- Material: Zinc die-casting body, Zinc plating cam; sand bright chrome plating rack
- Finish: Gray chrome plating
- Panel thickness: 1~3mm
- Remark: cam cutout $\square 7 \times 7$



产品型号及特性 Product Number			产品单重(g) Weight	装箱数Lot
镀沙铬 Gray chrome plating	一字锁芯 Double bit insert	三角锁芯 Triangular insert		
三点式门锁three point lock	MS103D-1-1	MS103D-1-2	324	60
单点式门锁one point lock	MS103D-2-1	MS103D-2-2	230	100



型号 Product no.	产品单重(g) Weight	装箱数Lot
MS829WT	602	60
MS829	608	60



MS829



MS829WT

- 材质: ABS面板, 聚碳商标, 锌合金齿轮盒, 镀锌钢板、锁片、喷砂镀铬齿条;
- 适用门板厚度: 0.5~2.5mm
- 备注: 锁片开孔 $\square 7 \times 7$
- Material: ABS panel, zinc die-casting rod control box, Zinc plating cam, fixing parts, Sandblasting bright chrome plated rack
- Panel thickness: 0.5~2.5mm
- Remark: cam cutout $\square 7 \times 7$

MS3005Z-1-1

齿轮传动式连杆锁 Gear Drive Rod Control Lock

齿轮传动式连杆锁 Gear Drive Rod Control Lock

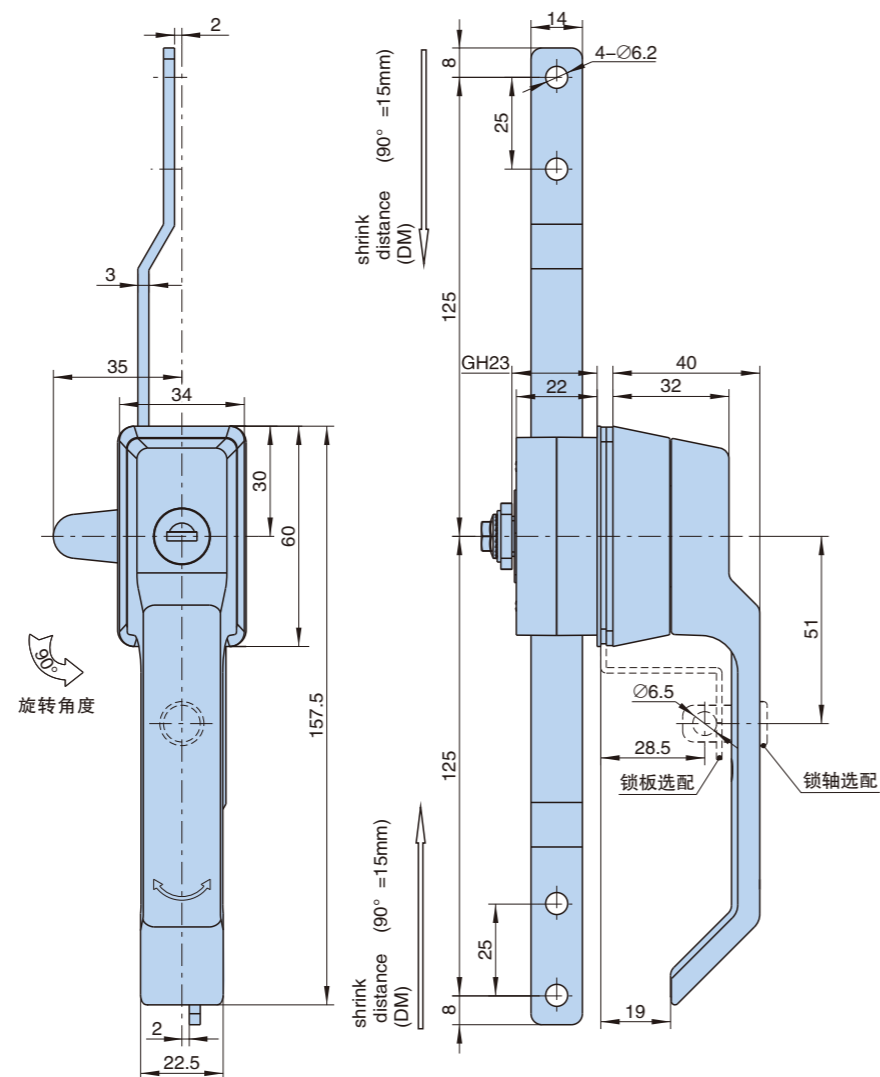
MS730-3



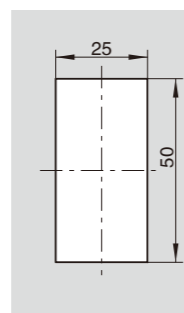
K333

MS3005Z-1-1

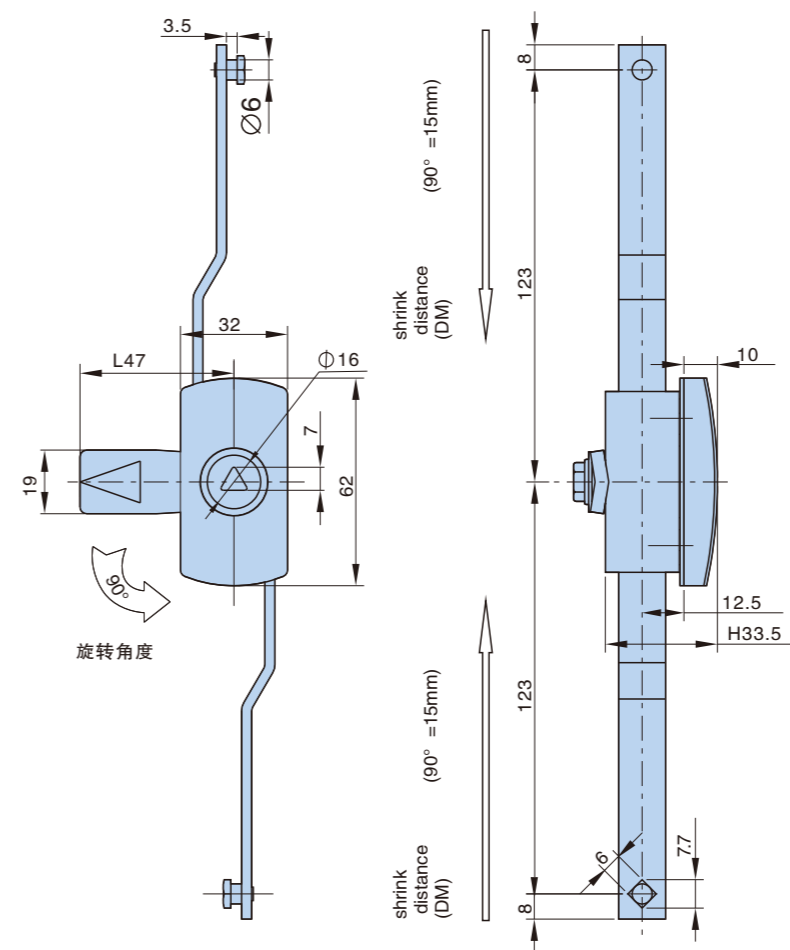
- 材质: 锌合金锁座, 手柄, A3锁片, 齿条, 铜锁轴
- 表面处理: 喷亚光黑
- 结构说明: 手柄90度旋转带动齿轮盒组件实现开启或锁闭。
- 适用门板厚度: 不带挂装置Ts=1~4 带挂装置Ts=1~2
- Material: Zinc alloy body, handle, A3 cam, Nickel plating rod, Brass shaft
- Finish: Black powder coated
- Function: 90° rotation of the handle drive the gear box to lock and unlock.
- Panel thickness: Without Pad: 1~4mm
- With Pad: 1~2mm



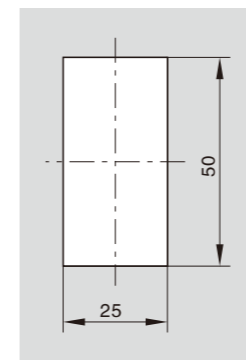
■ 开孔尺寸
Cut out



型号 Product no.	特性说明 Characteristic description	产品单重(g) Weight	装箱数Lot
MS3005Z-1-1G	带挂装置with padlock	520	25
MS3005Z-1-1	不带挂装置w/opadlock	525	25



■ 开孔尺寸
Cut out



产品型号及特性 Product Number		产品单重(g) Weight	装箱数Lot
三角锁芯 Triangular insert	MS730-3	343	60
一字锁芯 Double bit insert	MS730-1	350	60



K7030-07

- 材质: 锌合金锁体、镀锌锁片、喷砂镀铬齿条
- 表面处理: 镀沙铬
- 适用门板厚度: 1~3mm
- Material: zinc die-casting body, zinc plating cam and bracket, sand bright chrome plating rack
- Finish: Gray chrome plating
- Panel thickness: 1~3mm

MS460-1-1



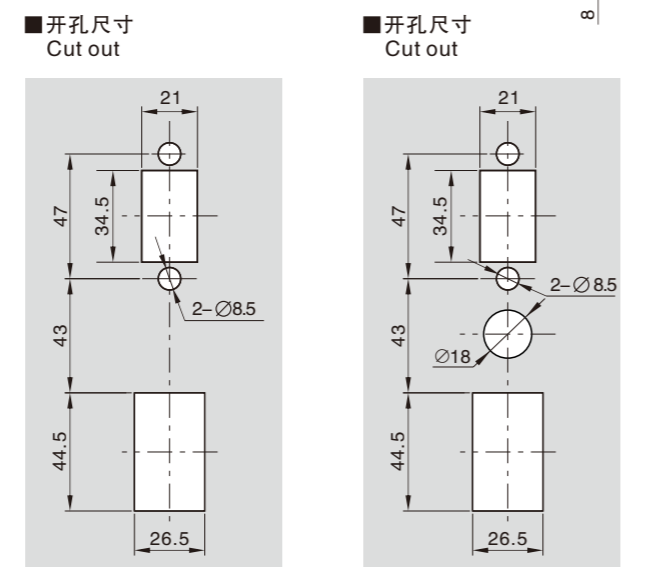
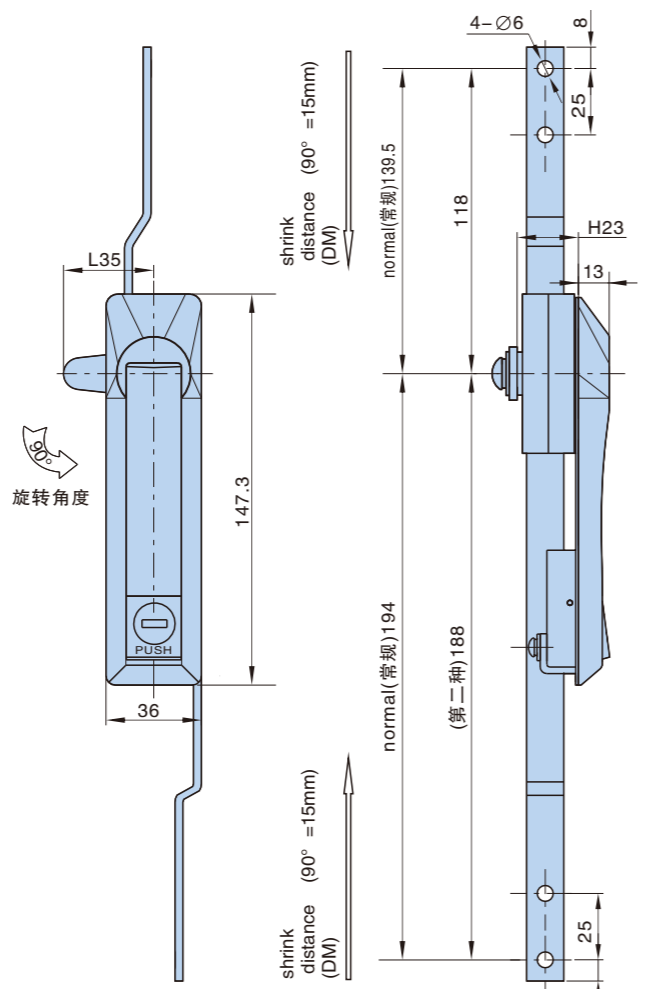
MS460-1-1 MS460-1-1G



MS460-2-1

- 材质: 锌合金锁体, 镀锌锁片、安装板、喷砂镀铬齿条
- 适用门板厚度: 1~2.5mm
- 备注: 锁片开孔 8x8
- Material: Zinc die-casting body, Zinc plating cam, mounting plate, sand bright chrome plating rack
- Panel thickness: 1~2.5mm
- Remark: cam cutout 8x8 padlockable on request

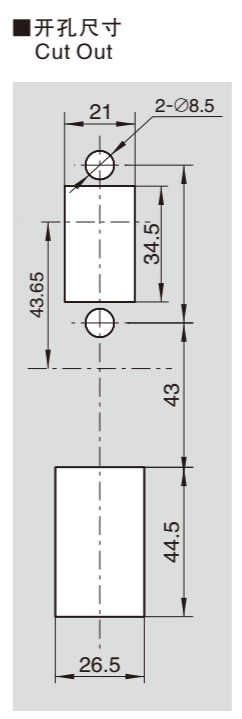
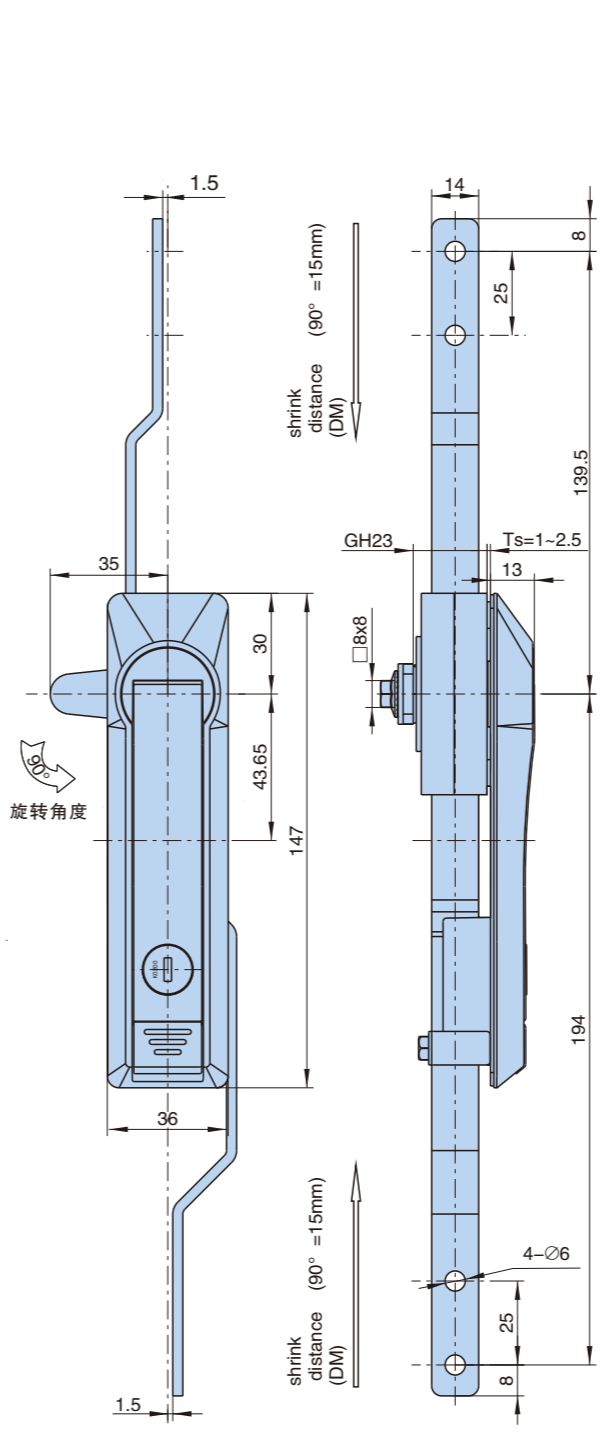
齿轮传动式连杆锁 Gear Drive Rod Control Lock



MS460-1-1 MS460-1-1G

型号 Product no.	特性说明 Characteristic description	产品单重(g) Weight	装箱数Lot
MS460-1-1	不带挂装置w/opadlock	530	50
MS460-1-1G	带挂装置with padlock	550	50
MS460-2-1	单点式门锁one point lock	550	50

齿轮传动式连杆锁 Gear Drive Rod Control Lock



型号 Product no.	产品单重(g) Weight	装箱数Lot
MS460-3-3(K0200)	528	50
MS460-3-3A(K0600)	528	50

MS460-3-3



- 材质: 锌合金锁体, 碳钢锁片、安装板、喷砂镀铬齿条
- 适用门板厚度: 1~4.5mm
- 备注: 锁片开孔 8x8
- Material: zinc die-casting body, zinc plating cam and bracket, sand bright chrome plating rack
- Panel thickness: 1~4.5mm
- Remark: Cam cut out 8x8

MS463-1-1

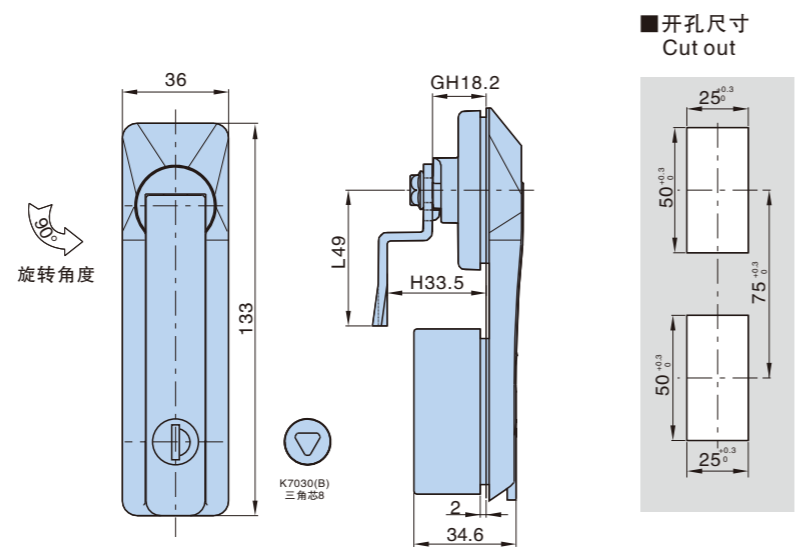
锁片传动式连杆锁 Cam Drive Rod Control Lock

齿轮传动式连杆锁 Gear Drive Rod Control Lock

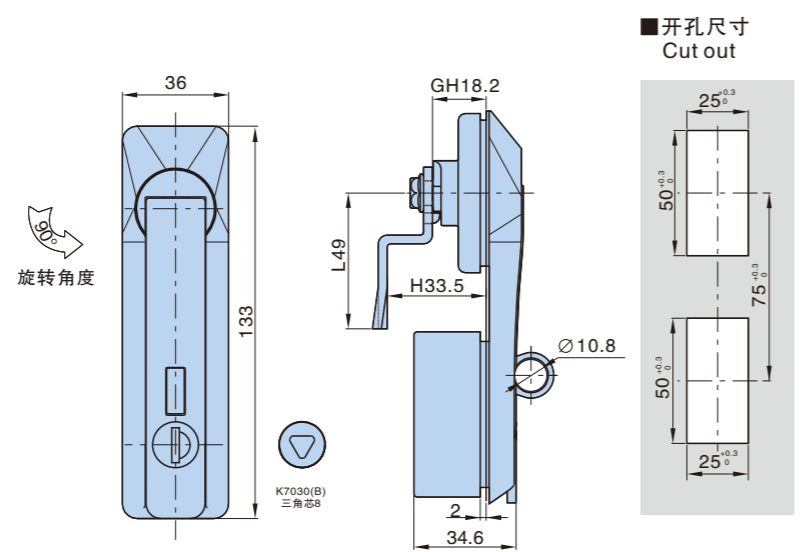
MS463-1-2



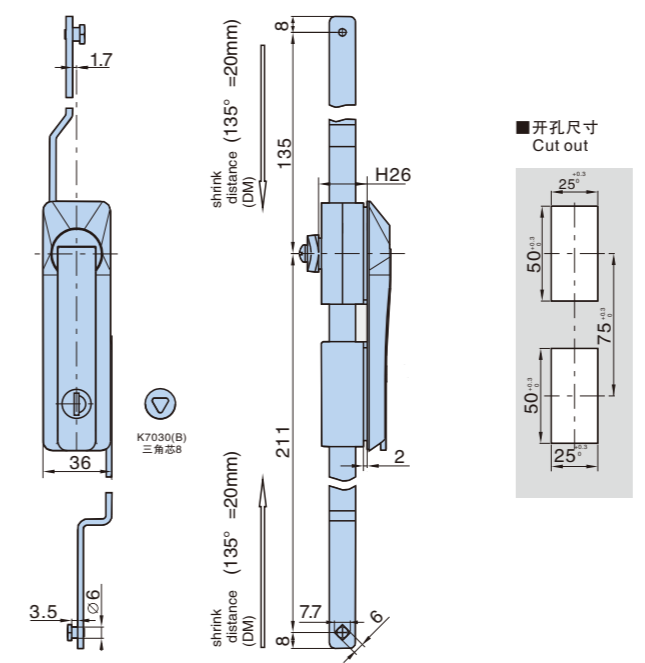
MS463-1-1A



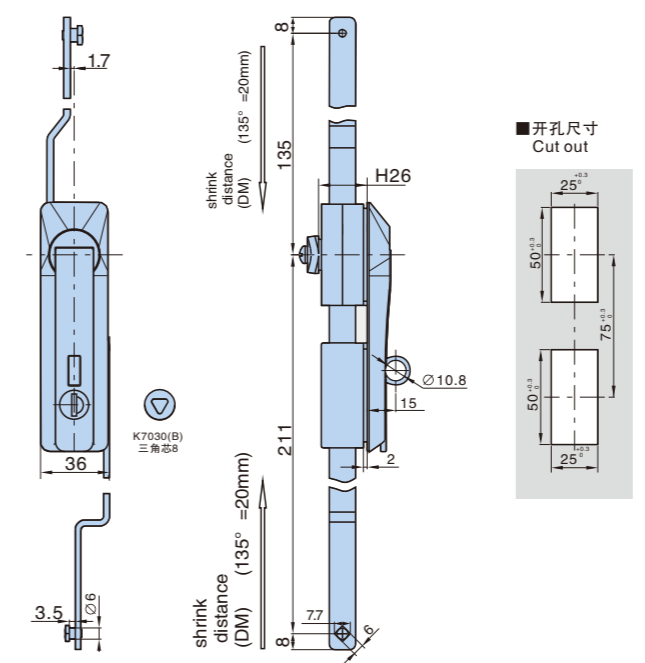
MS463-1-1系列



MS463-1-1系列



不带挂锁
w/o padlock



带挂锁
with padlock

产品型号及特性 product number					
单点式门锁(带折高15锁片) One point lock(with 15mm bend cam)					
锁芯类别 insert type		镀沙铬 Gray chrome plating	喷无光黑 Black powder coated	产品单重(g) Weight	装箱数 Lot
K333 (A)	不带挂锁 w/o padlock	MS463-1-1A.2	MS463-1-1A.3	522	50
	带挂锁 with padlock	MS463-1-1AG.2	MS463-1-1AG.3	542	50
K7030 (B)	不带挂锁 w/o padlock	MS463-1-1B.2	MS463-1-1B.3	552	50
	带挂锁 with padlock	MS463-1-1BG.2	MS463-1-1BG.3	570	50

产品型号及特性 product number					
双点式门锁 (不带锁片) Two point lock (w/o cam)					
锁芯类别 insert type		镀沙铬 Gray chrome plating	喷无光黑 Black powder coated	产品单重(g) Weight	装箱数 Lot
K333 (A)	不带挂锁 w/o padlock	MS463-1-2A.2	MS463-1-2A.3	532	50
	带挂锁 with padlock	MS463-1-2AG.2	MS463-1-2AG.3	552	50
K7030 (B)	不带挂锁 w/o padlock	MS463-1-2B.2	MS463-1-2B.3	562	50
	带挂锁 with padlock	MS463-1-2BG.2	MS463-1-2BG.3	580	50



MS463-1-2BG

- 材质: 锌合金锁体, 镀锌锁片、安装板、喷砂镀铬亮铬齿条
- 适用门板厚度: 1~2.5mm
- 备注: 锁片开孔 8 × 8
- Material: Zinc die-casting body, Zinc plating cam, mounting plate, sand bright chrome plating rack
- Panel thickness: 1~2.5mm
- Remark: cam cutout 8 × 8 padlockable on request

MS463-1-3

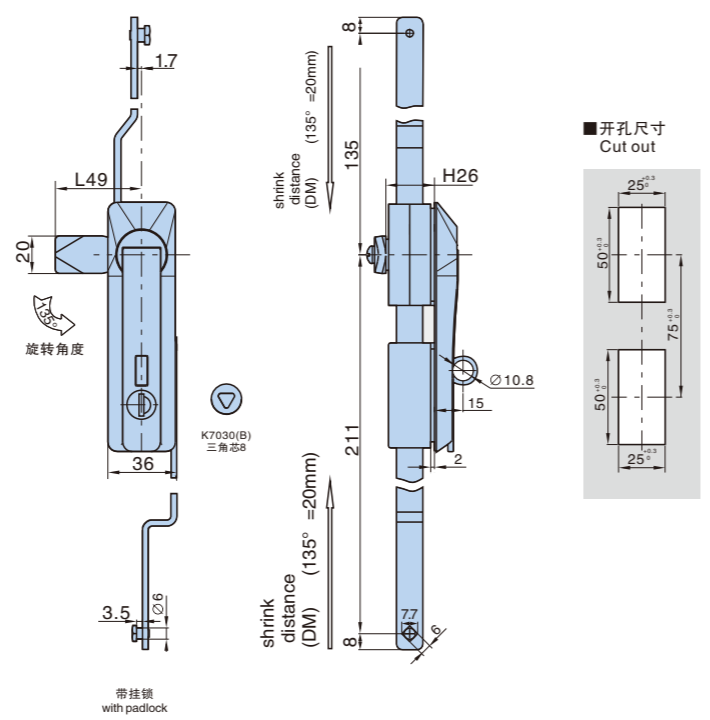
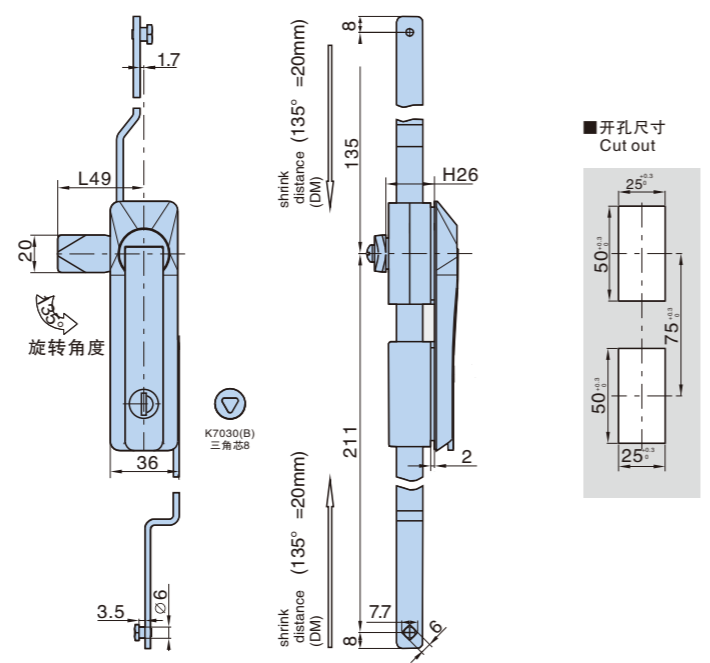
齿轮传动式连杆锁 Gear Drive Rod Control Lock

齿轮传动式连杆锁 Gear Drive Rod Control Lock

MS463-2

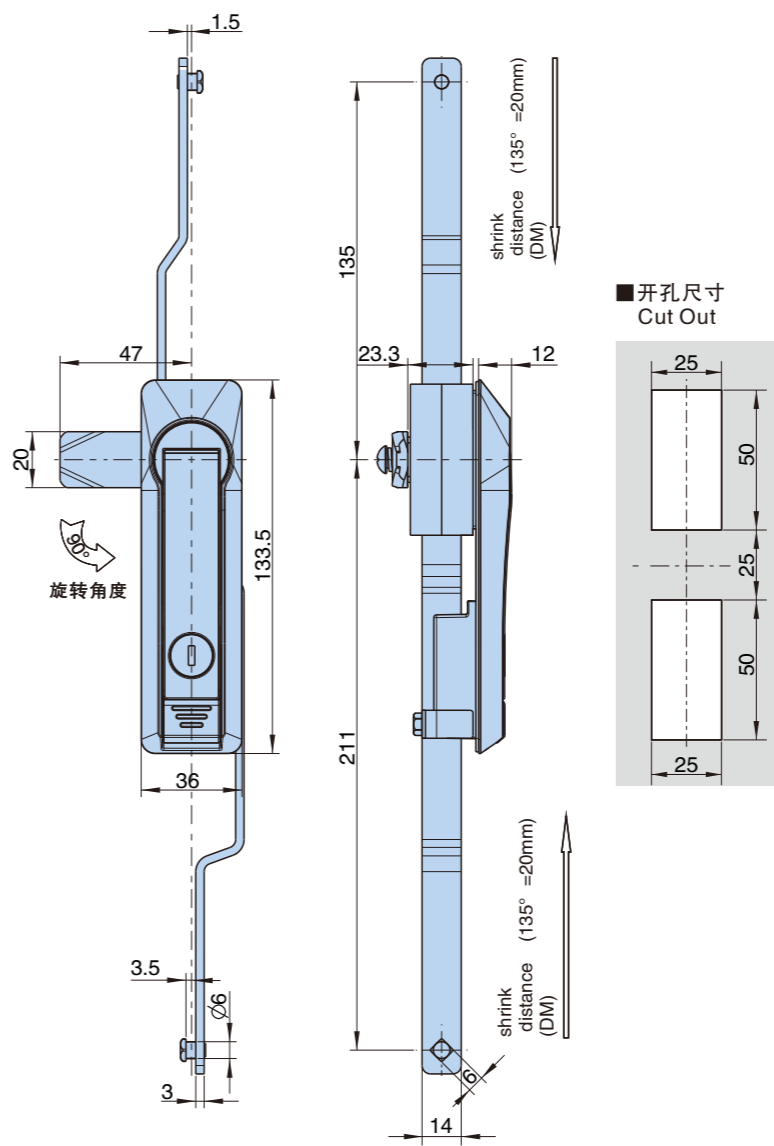
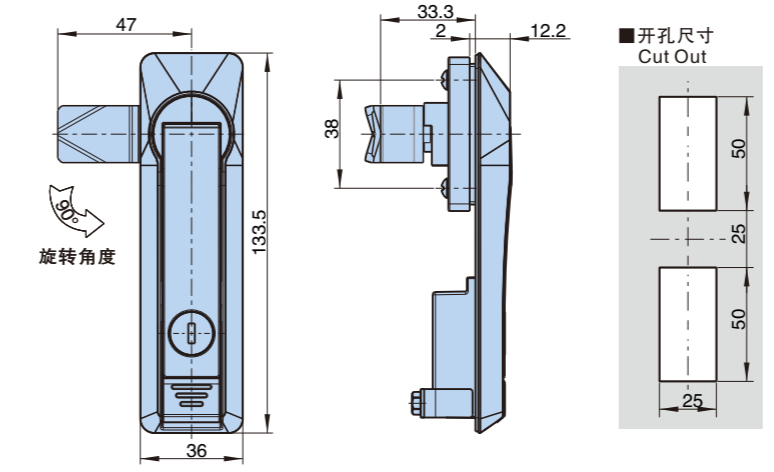


MS463-1-3AG



产品型号及特性 product number					
双点式门锁 (不带锁片) Two point lock (w/o cam)					
锁芯类别 insert type		镀沙铬 Gray chrome plating	喷无光黑 Black powder coated	产品单重(g) Weight	装箱数 Lot
K333 (A)	不带挂锁 w/o padlock	MS463-1-3A.2	MS463-1-3A.3	552	50
	带挂锁 with padlock	MS463-1-3AG.2	MS463-1-3AG.3	582	50
	不带挂锁 w/o padlock	MS463-1-3B.2	MS463-1-3B.3	592	50
	带挂锁 with padlock	MS463-1-3BG.2	MS463-1-3BG.3	610	50

- 材质: 锌合金锁体, 镀锌锁片、安装板、喷砂镀铬亮铬齿条
- 适用门板厚度: 1~2.5mm
- 备注: 锁片开孔 8×8
- Material: Zinc die-casting body, Zinc plating cam, mounting plate, sand bright chrome plating rack
- Panel thickness: 1~2.5mm
- Remark: cam cutout 8×8 padlockable on request



型号 Product no.	产品单重(g) Weight	装箱数 Lot
MS463-2-1(K0200)	512	50
MS463-2-3(K0200)	528	50



MS463-2-1



MS463-2-3

- 材质: 锌合金锁体, 碳钢锁片、安装板、喷砂镀铬亮铬齿条
- 适用门板厚度: 1~4.5mm
- 表面处理: 喷无光黑
- 备注: 锁片开孔 8×8
- Material: zinc die-casting body, zinc plating cam and bracket, sand bright chrome plating rack
- Panel thickness: 1~4.5mm
- Remark: Cam cut out 8×8

A拉手系列
Handles series

B平面锁系列
Plane lock series

C连杆锁系列
Rod control series

D面板锁系列
Plane lock series

E执手锁系列
Handle lock series

F转舌锁系列
Cam lock series

G铰链系列
Hinge series

H搭扣锁系列
Toggle lock series

I门销系列
Door bolt series

J电子锁系列
Electronic lock series

K密封条系列
Gasketing series

L限位系列
Door stop series

M附件系列
Accessories series

N不锈钢件系列
Stainless steel series

索引
Index

A拉手系列
Handles series

B平面锁系列
Plane lock series

C连杆锁系列
Rod control series

D面板锁系列
Plane lock series

E执手锁系列
Handle lock series

F转舌锁系列
Cam lock series

G铰链系列
Hinge series

H搭扣锁系列
Toggle lock series

I门销系列
Door bolt series

J电子锁系列
Electronic lock series

K密封条系列
Gasketing series

L限位系列
Door stop series

M附件系列
Accessories series

N不锈钢件系列
Stainless steel series

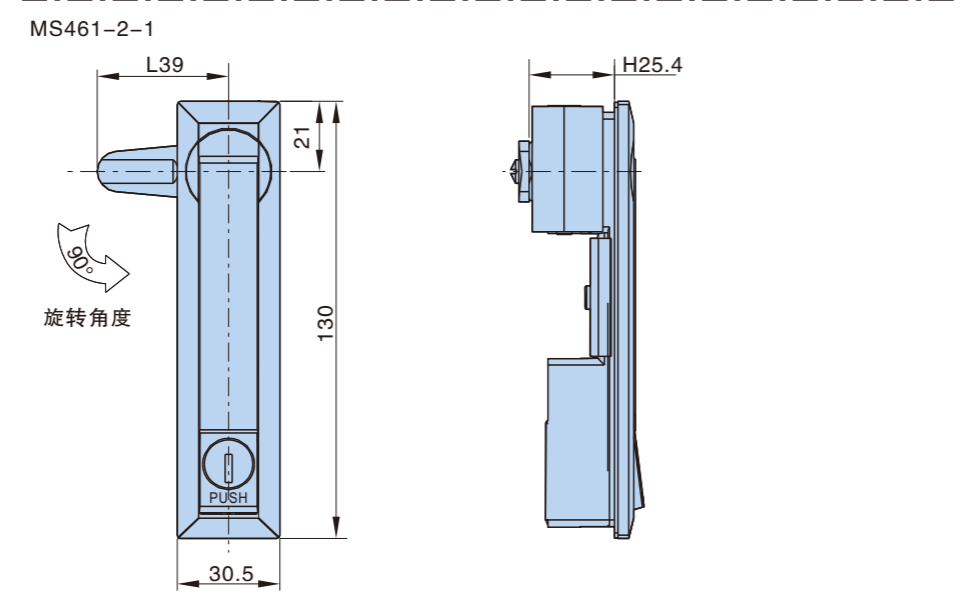
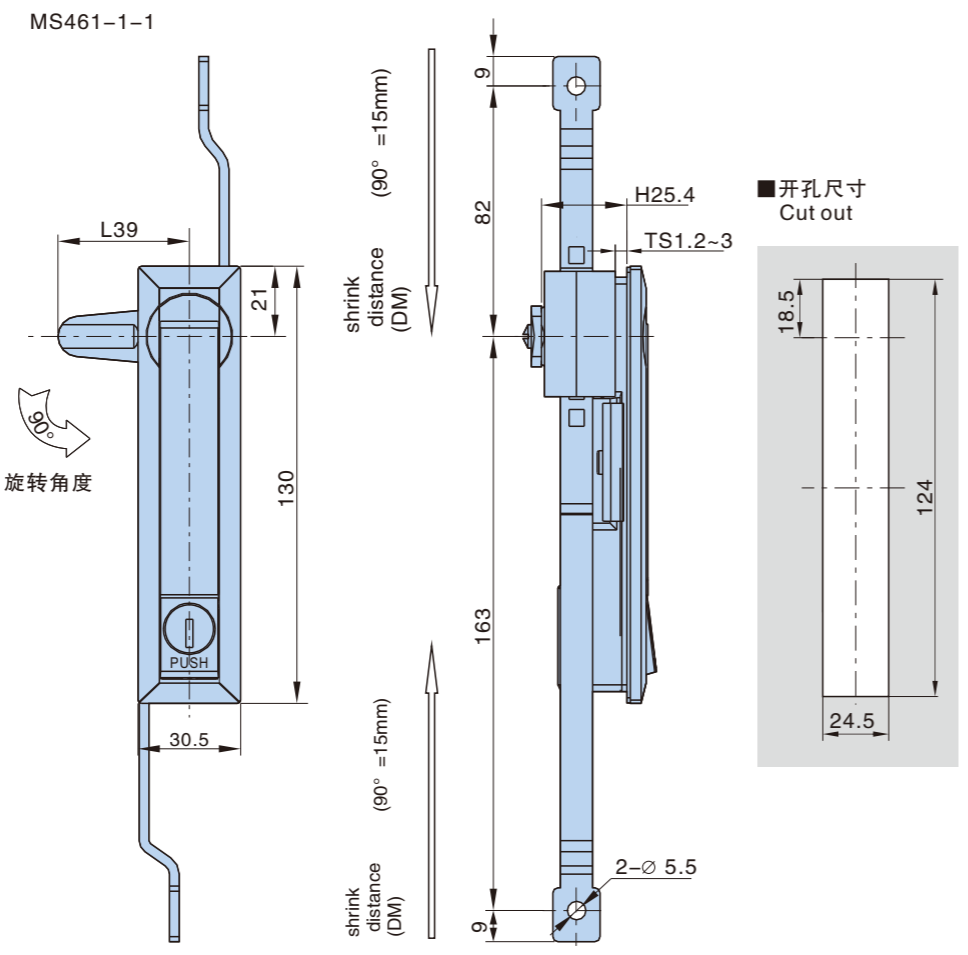
索引
Index

MS461

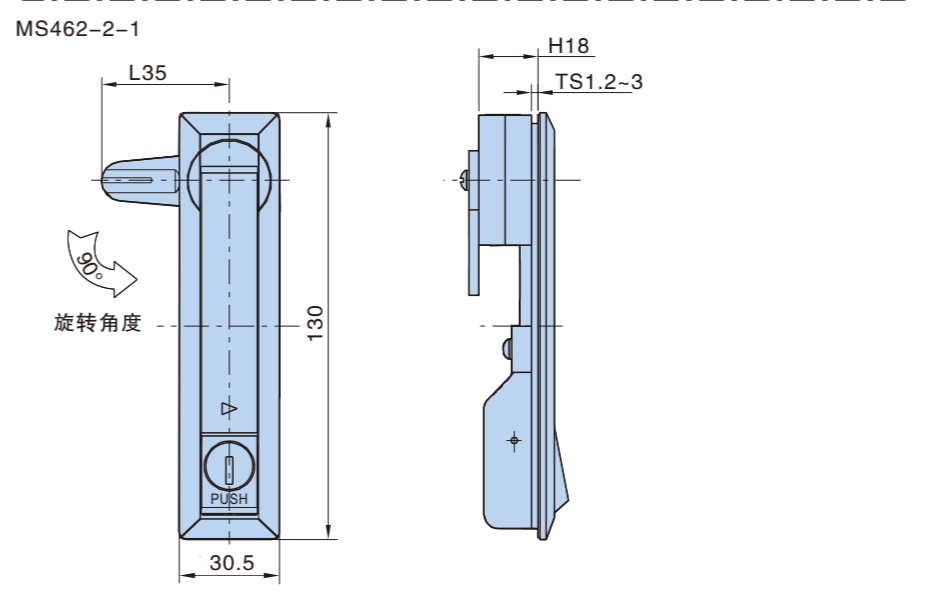
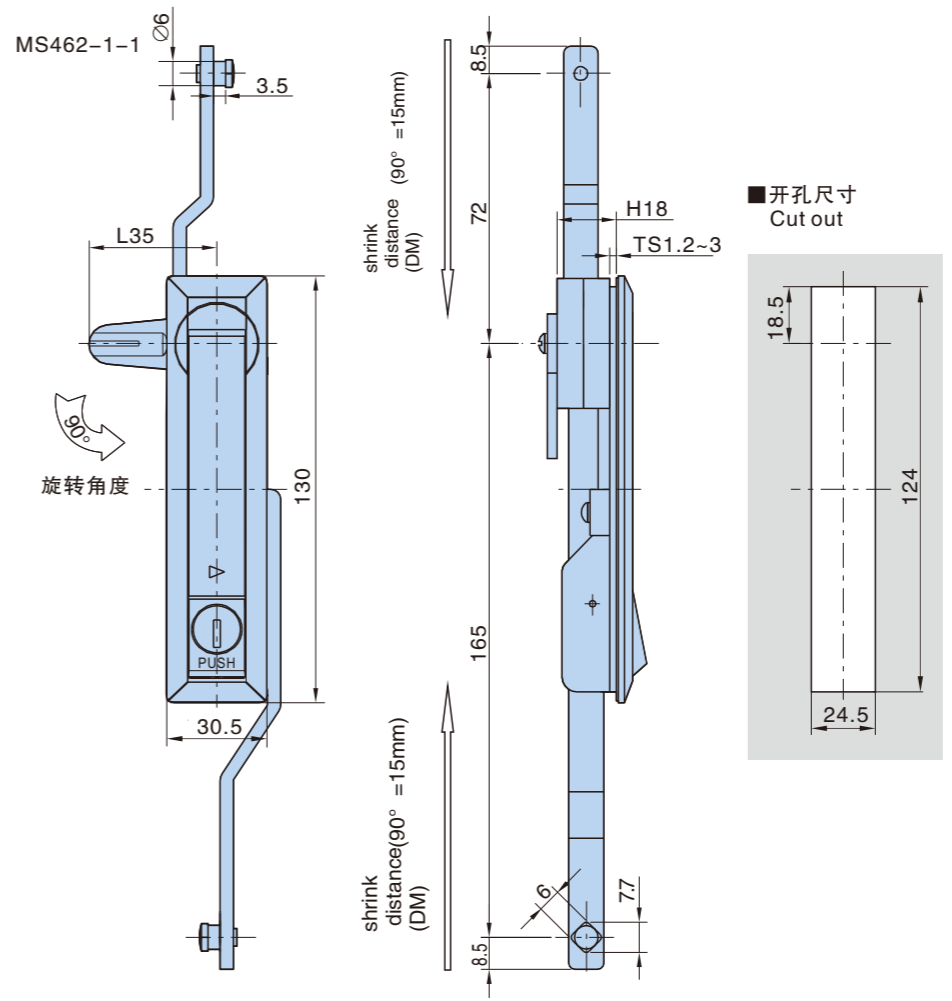
齿轮传动式连杆锁 Gear Drive Rod Control Lock

齿轮传动式连杆锁 Gear Drive Rod Control Lock

MS462



产品型号及特性product number		产品单重(g) Weight	装箱数Lot
镀沙铬 Gray chrome plating	MS461-1-1.2	431	60
喷无光黑 Black powder coated	MS461-1-1.3	430.5	60
镀沙铬 Gray chrome plating	MS461-2-1.2		60
喷无光黑 Black powder coated	MS461-2-1.3		60



产品型号及特性product number		产品单重(g) Weight	装箱数Lot
镀沙铬 Gray chrome plating	MS462-1-1.2	343	60
喷无光黑 Black powder coated	MS462-1-1.3	343	60
镀沙铬 Gray chrome plating	MS462-2-1.2		60
喷无光黑 Black powder coated	MS462-2-1.3		60



- 材质: 锌合金锁体, 镀锌锁片、压板、喷砂镀铬亮铬齿条
- 适用门板厚度: 1.2~3mm
- 备注: 锁片开孔□7×7
- Material: zinc die-casting body, zinc plating cam and bracket, sand bright chrome plating rack
- Panel thickness: 1.2~3mm
- Remark: cam cutout □7×7

MS732-2-1

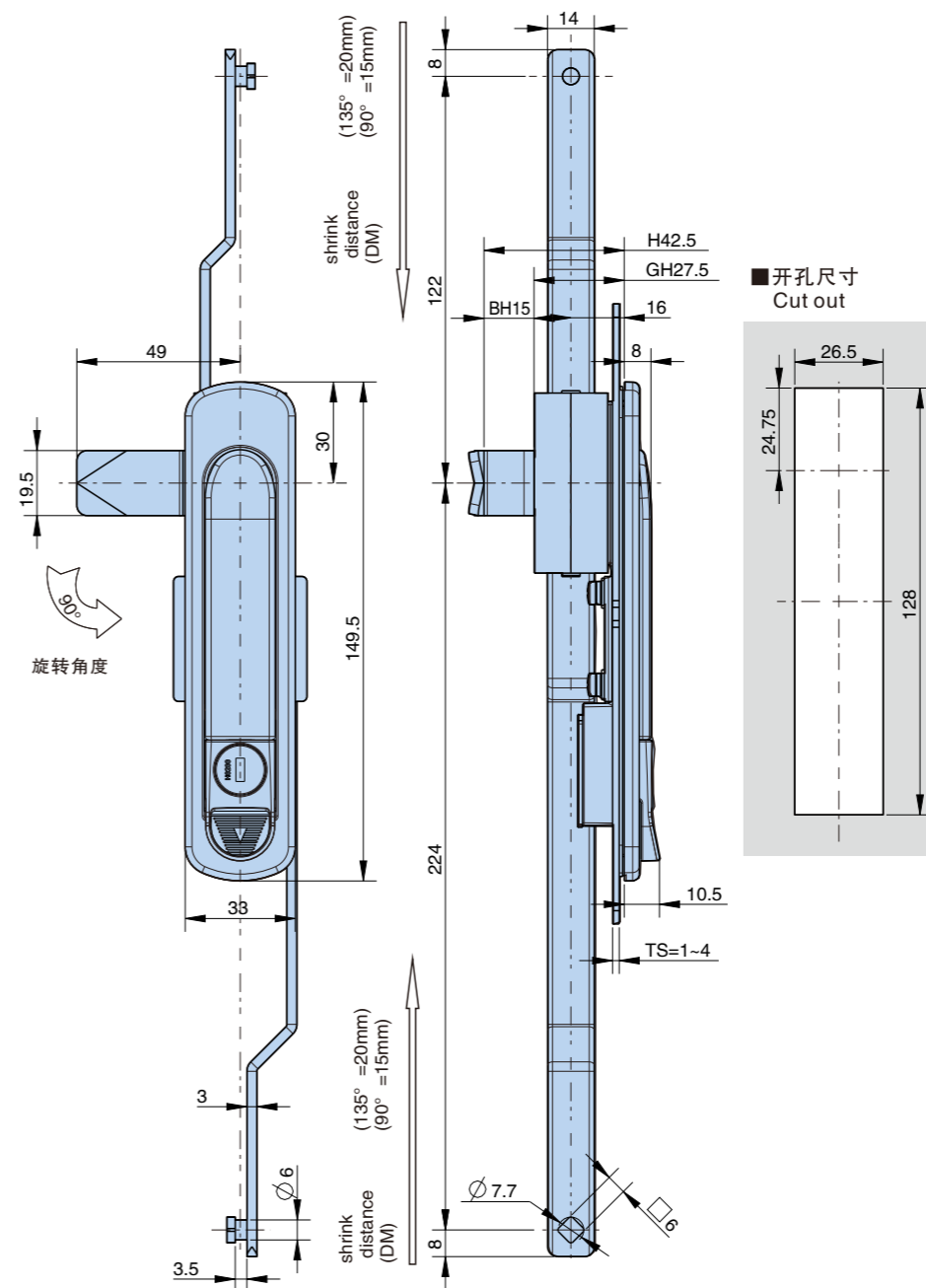
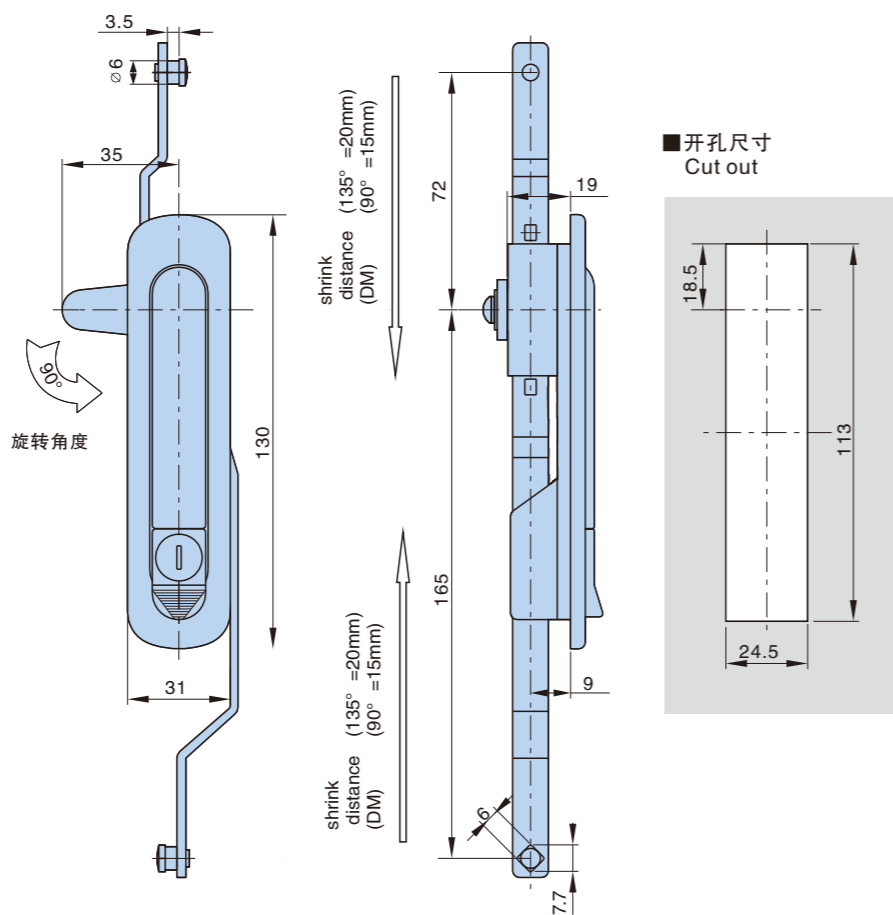
齿轮传动式连杆锁 Gear Drive Link Lock

齿轮传动式连杆锁 Gear Drive Link Lock

MS732-1-1



K0200



- 材质: 锌合金锁体、转轴, 镀锌安装板、锁片、喷砂镀铬齿条
- 表面处理: 镀沙铬
- 适用门板厚度: 1~4mm
- Material: zinc die-casting body and shaft, zinc plating cam and bracket, sand bright chrome plating rack
- Finish :Gray chrome plating
- Panel thickness:1~4mm

- 材质: 锌合金锁体、转轴, 镀锌安装板、锁片、喷砂镀铬齿条
- 表面处理: 镀沙铬
- 适用门板厚度: 1~4mm
- Material: zinc die-casting body and shaft, zinc plating cam and bracket, sand bright chrome plating rack
- Finish :Gray chrome plating
- Panel thickness:1~4mm

型号 Product no.	产品单重(g) Weight	装箱数Lot
MS732-2-1.2	361	50

型号 Product no.	产品单重(g) Weight	装箱数Lot
MS732-1-1.2	562	50

MS483

齿轮传动式连杆锁 Gear Drive Rod Control Lock

齿轮传动式连杆锁 Gear Drive Rod Control Lock

MS484

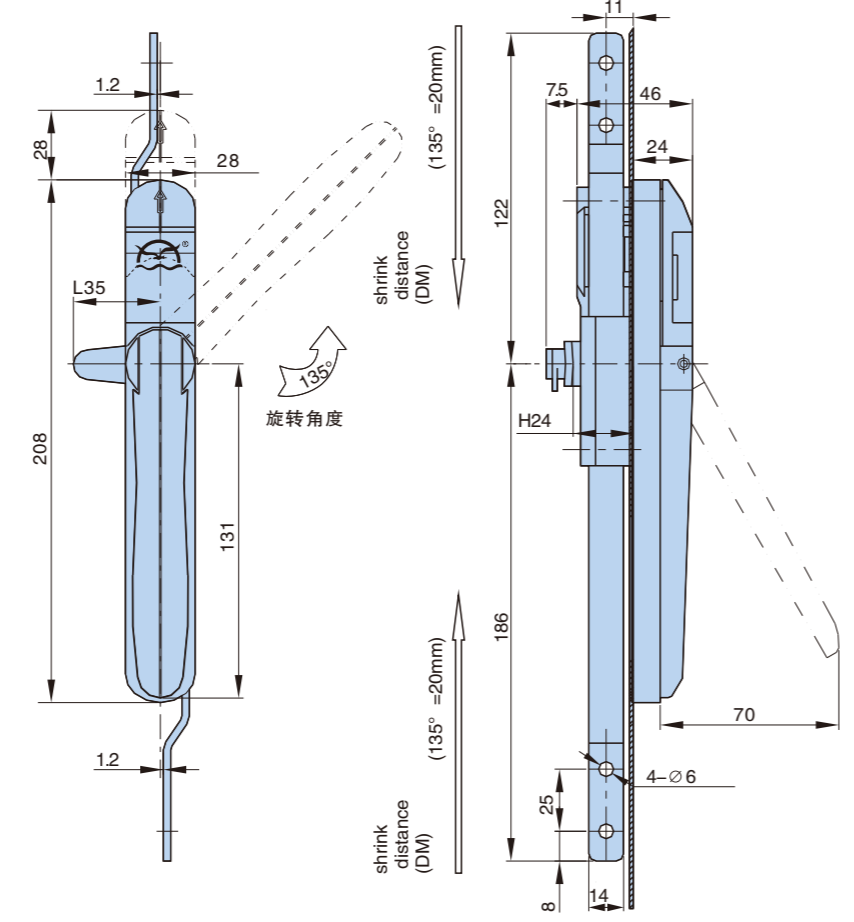


MS483-1-1

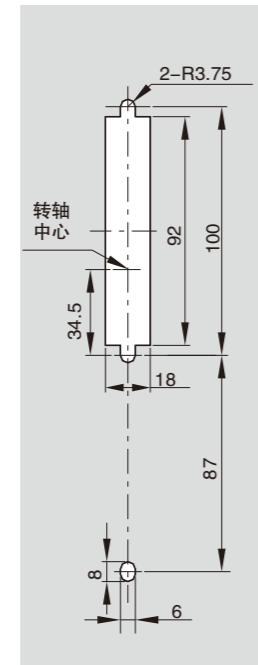


MS483-1-2

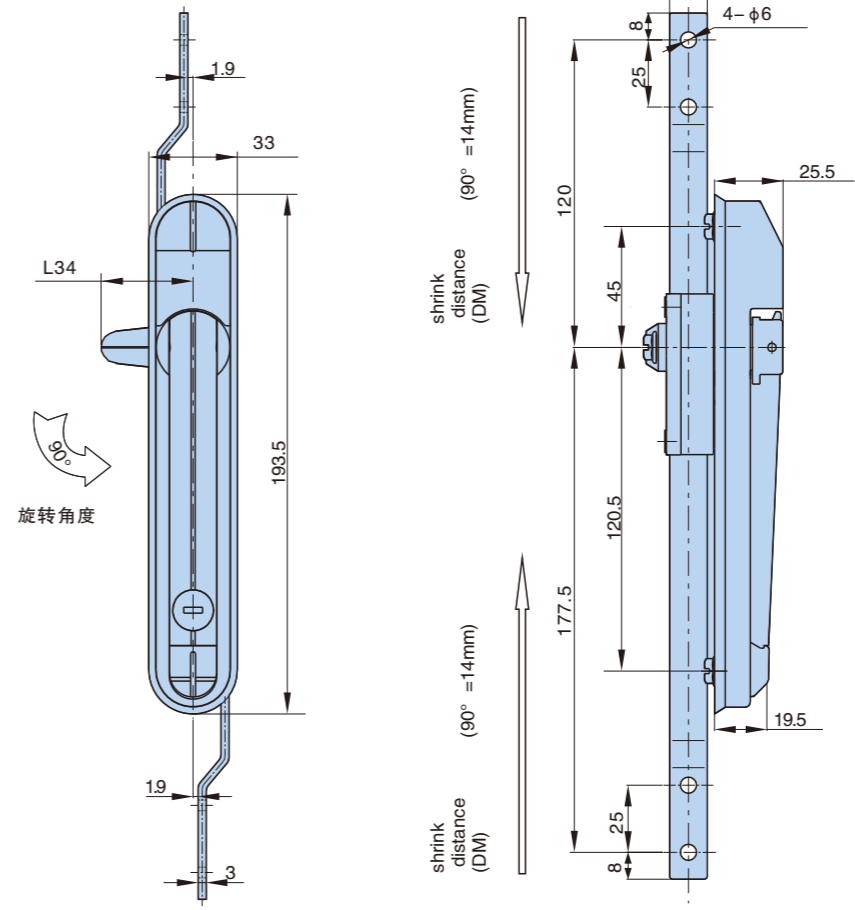
- 材质：锌合金锁体，镀锌钢板、锁片、喷砂镀铬齿条
- 表面处理：
- 适用门板厚度：1~2mm
- 备注：锁片开孔□7×7
- Material: zinc die-casting body, zinc plating cam and bracket, sand bright chrome plating rack
- Finish: Gray chrome plating
- Panel thickness: 1~2mm
- Remark: cam cutout □7×7



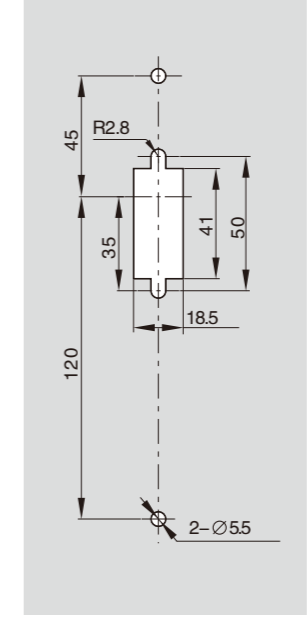
■ 开孔尺寸
Cut out



产品型号及特性 Product Number		产品单重(g) Weight	装箱数 Lot
有锁芯 With key	MS483-1-1	707	50
按钮型 Push button	MS483-1-2	685	50



■ 开孔尺寸
Cut out



产品型号及特性 Product Number		产品单重(g) Weight	装箱数 Lot
镀沙铬 Gray chrome plating	MS484-1-1.2	563.5	50
喷无光黑 Black powdercoated	MS484-1-1.3		



K0200



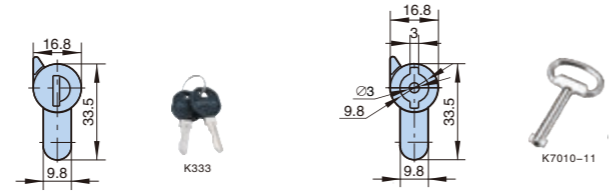
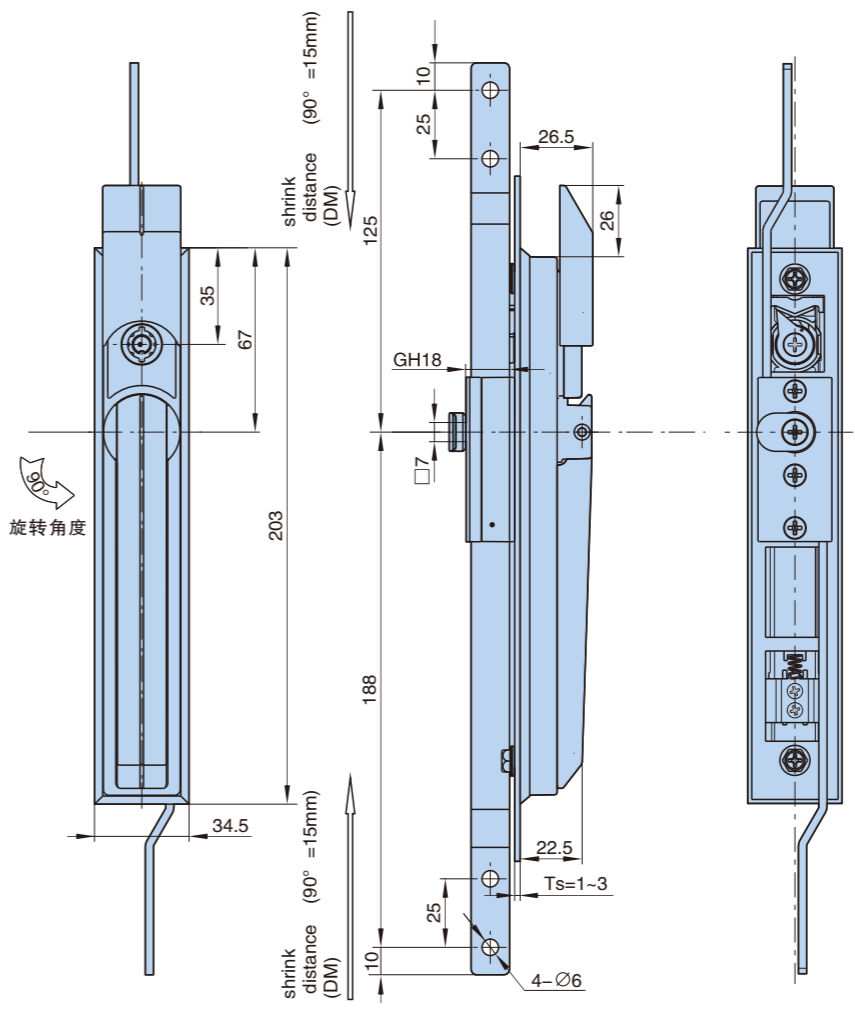
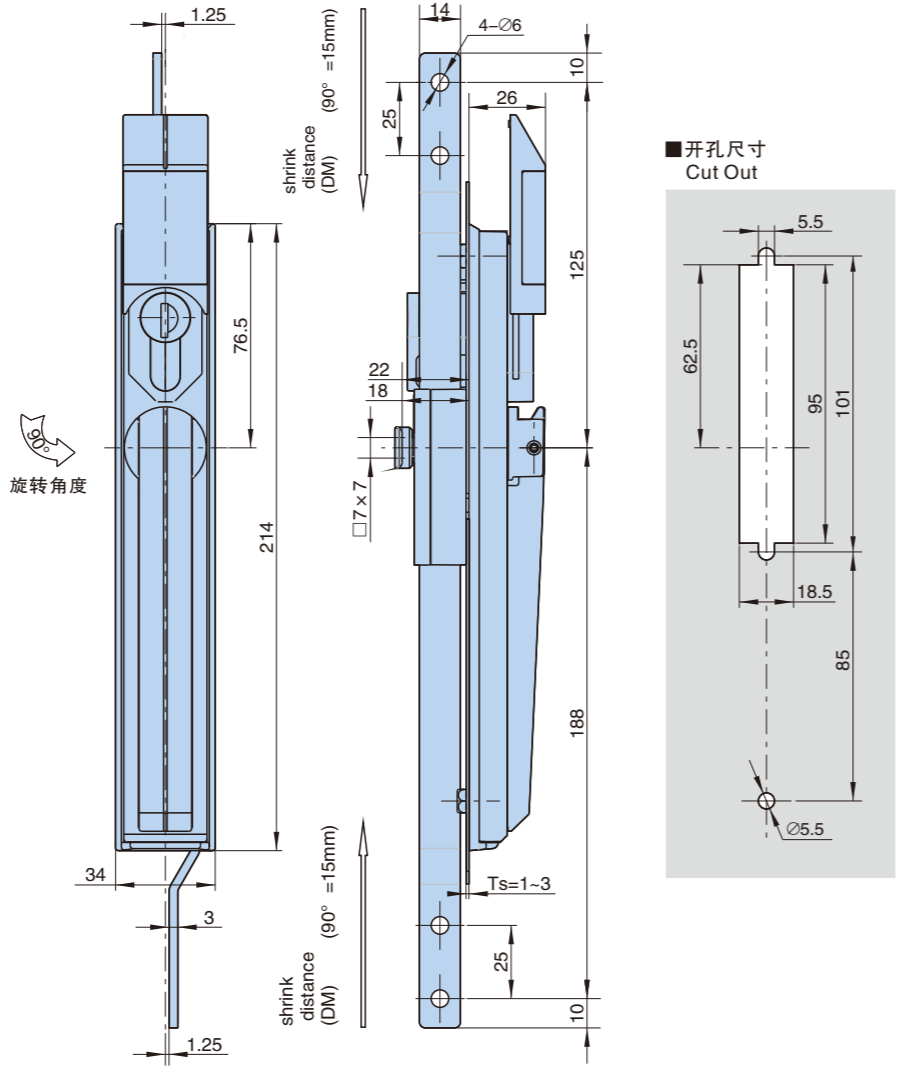
- 材质：锌合金锁体、转轴，镀锌压板、锁片、喷砂镀铬齿条
- 适用门板厚度：1~2mm
- 备注：锁片开孔□7×7
- Material: zinc die-casting body, zinc plating cam and bracket, sand bright chrome plating rack
- Panel thickness: 1~2mm
- Remark: cam cutout □7×7

MS4086Z

齿轮传动式连杆锁 Gear Drive Rod Control Lock

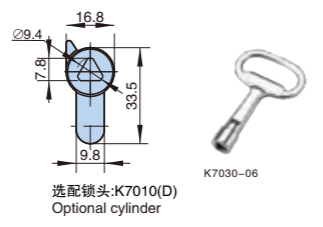
齿轮传动式连杆锁 Gear Drive Rod Control Lock

MS4087Z-3-3



默认锁头:K0133
Acquiescent cylinder

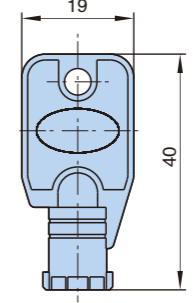
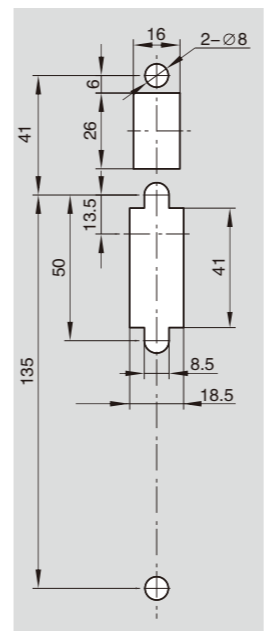
选配锁头:K7010(C)
Optional cylinder



选配锁头:K7010(D)
Optional cylinder

型号 Product no.	锁芯 Insert	产品单重(g) Weight	装箱数 Lot
MS4086Z-1-1B	K0133(B)	702.2	50
MS4086Z-1-1C	K7010 (C)	712.9	50
MS4086Z-1-1D	K7030 (D)	710.8	50

- 材质: 锌合金锁壳,锁背, 锁盖, 转轴, A3齿条
- 表面处理: 喷漆(银色)锁壳, 喷塑(黑色)锁背、转轴
- 结构功能: 锁背90° 旋转带动齿轮盒组件实现开启和锁闭。
- 适用门板厚: 1~3mm
- 备注: 锁片开孔□7×7
- 默认适配钥匙: K333
- 其它: 变换齿条和锁片左右位置, 可变换左右开门
- Material: Zinc alloy housing , back , cover and shaft, A3 Steel cam
- Finish: Silver painting housing, black powder coated handle.
- Panel thickness: 1~3mm
- Remark: Cam Cutout □7×7
- Others: Change the position of rod and cam to open the door by left or right



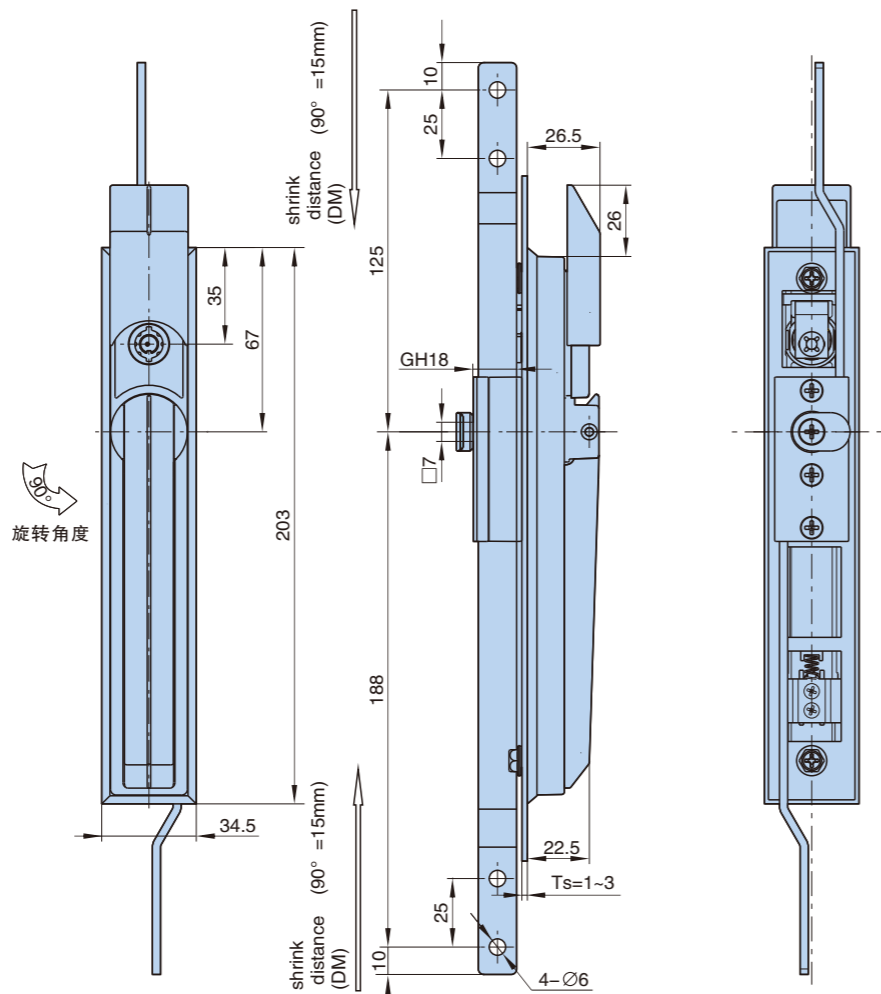
默认钥匙

型号 Product no.	产品单重(g) Weight	装箱数 Lot
MS4087Z-3-3	645	50

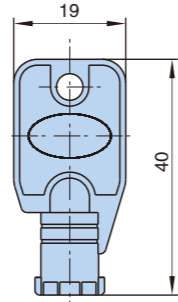
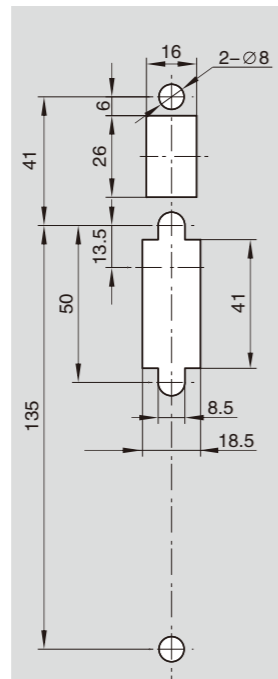
- 材质: 锌合金锁体, 碳钢齿条
- 表面处理: 喷银漆锁壳、锁盖, 喷黑漆锁背, 转轴
- 结构功能: 锁背90度旋转带动齿轮盒组件实现开启和锁闭。
- 适用门板厚: 1~3mm
- 备注: 锁片开孔□7×7
- Material: Zinc alloy body , steel rod
- Finish: Silver painting housing, cover. Black painting back, shaft
- Function: 90° rotation of the back drive the gear box to lock and unlock.
- Panel thickness: 1~3mm
- Remark: :cam cut out □7×7

MS4087Z-3A-3

齿轮传动式连杆锁 Gear Drive Rod Control Lock



■开孔尺寸
Cut Out



型号 Product no.	产品单重(g) Weight	装箱数 Lot
MS4087Z-3A-3	644.5	50

- 材质：锌合金锁体，碳钢齿条
- 表面处理：喷银漆锁壳、锁盖，喷黑漆锁背，转轴
- 结构功能：锁背90度旋转带动齿轮盒组件实现开启和锁闭。
- 适用门板厚：1~3mm
- 备注：锁片开孔□7x7
- Material: Zinc alloy body, steel rod
- Finish: Silver painting housing, cover. Black painting back, shaft
- Function: 90° rotation of the back drive the gear box to lock and unlock.
- Panel thickness: 1~3mm
- Remark: cam cut out □7x7

齿轮传动式连杆锁 Gear Drive Rod Control Lock

MS486

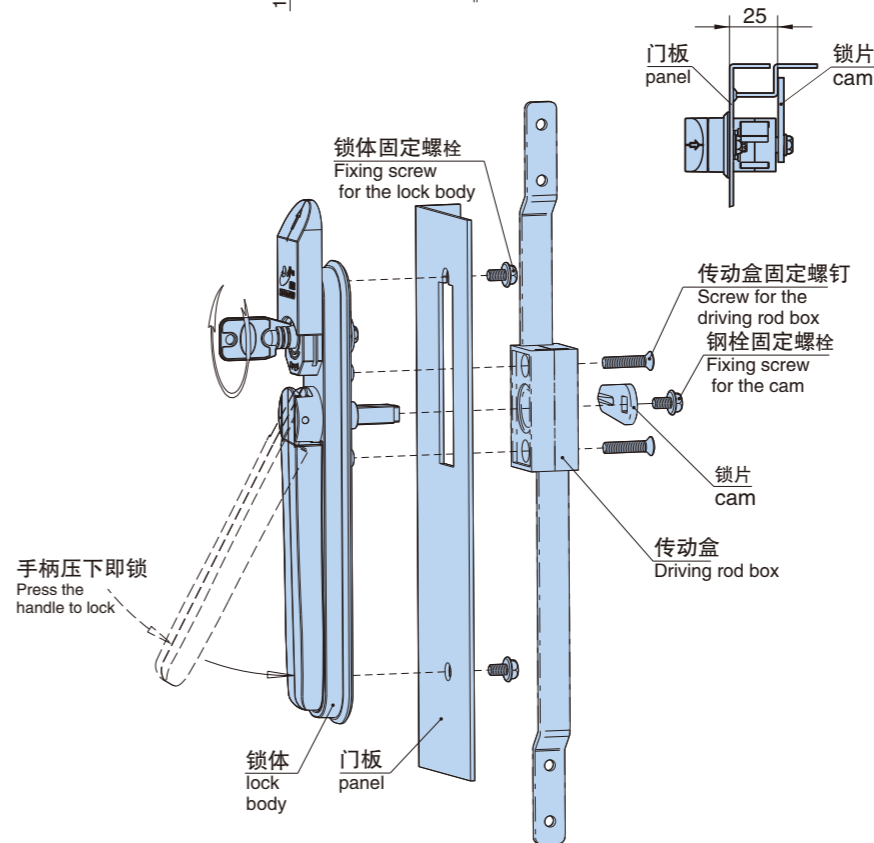
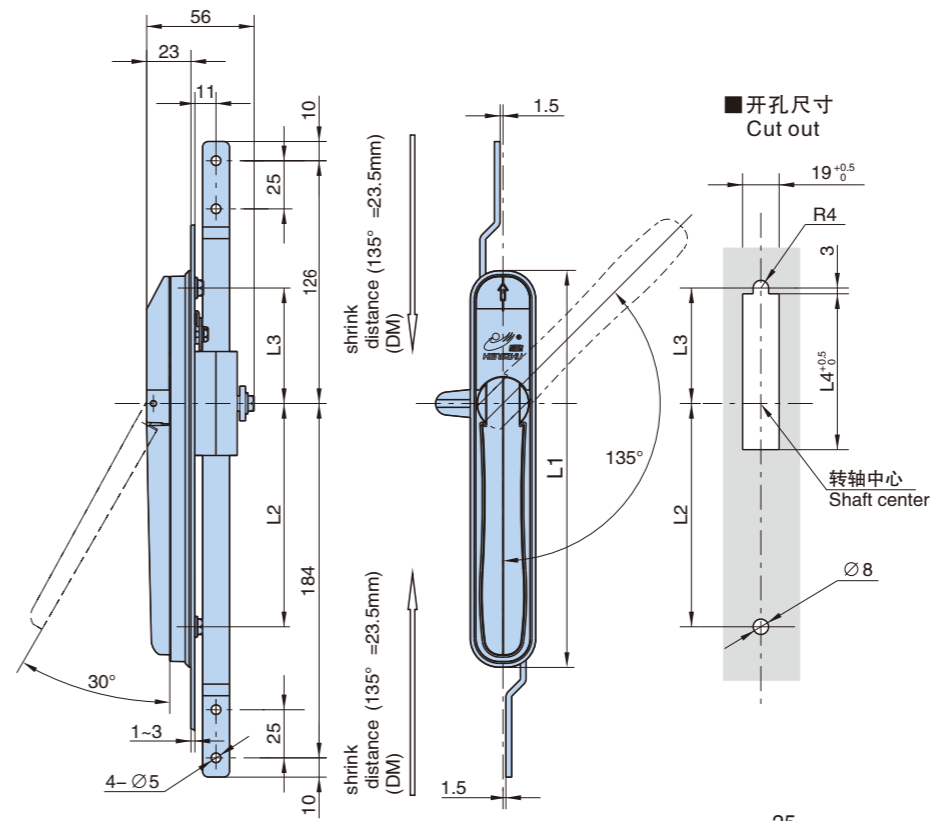


MS486-2-1

MS486-1-1



MS486-3-1



Dimensions尺寸	L1	L2	L3	L4	产品单重(g) Weight	装箱数 Lot
型号 Product Number						
MS486-1-1	221	122.5	63.5	85	675	50
MS486-2-1	206	116	60	81	629	50
MS486-3-1	186	104	60	81	617	50

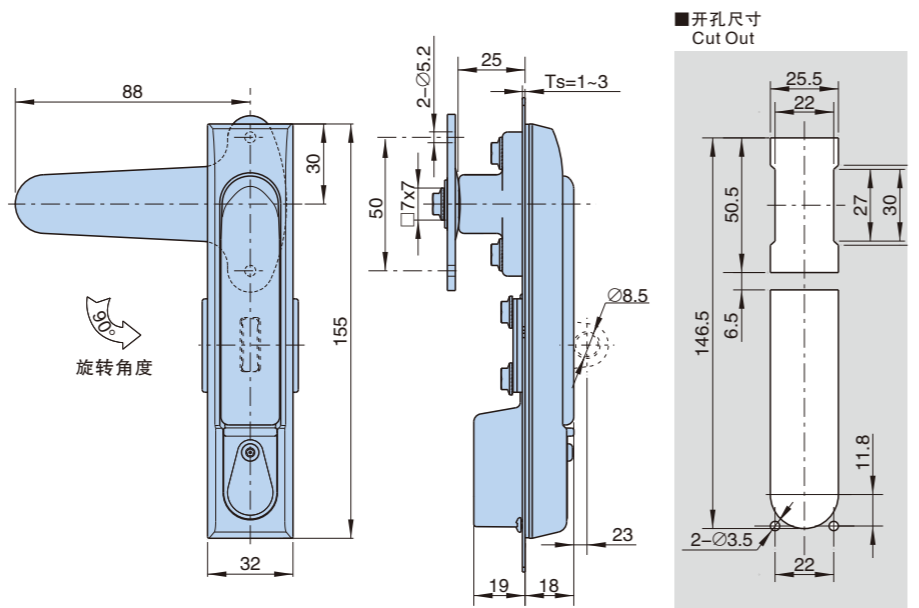
- 材质：锌合金锁体，镀锌钢板、锁片、喷砂镀铬齿条
- 表面处理：喷7035色
- 适用门板厚度：1~3mm
- 备注：锁片开孔□7x7
- MS486-3-1可不配传动盒
- Material: zinc die-casting body, zinc plating cam and bracket, sand bright chrome plating rack
- Finish: RAL7035 powder coated
- Panel thickness: 1~3mm
- Remark: cam cutout □7 x 7.

MS4008Z-2-1

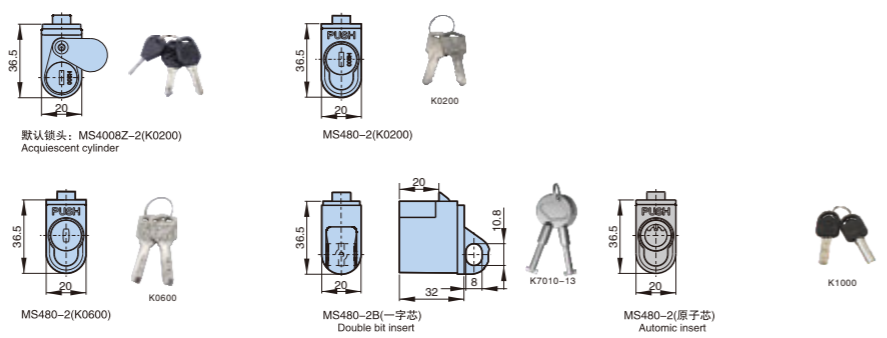
锁片传动式连杆锁 Cam Drive Rod Control Lock



MS4008Z-2-1



选配锁头系列 Optional cylinder series

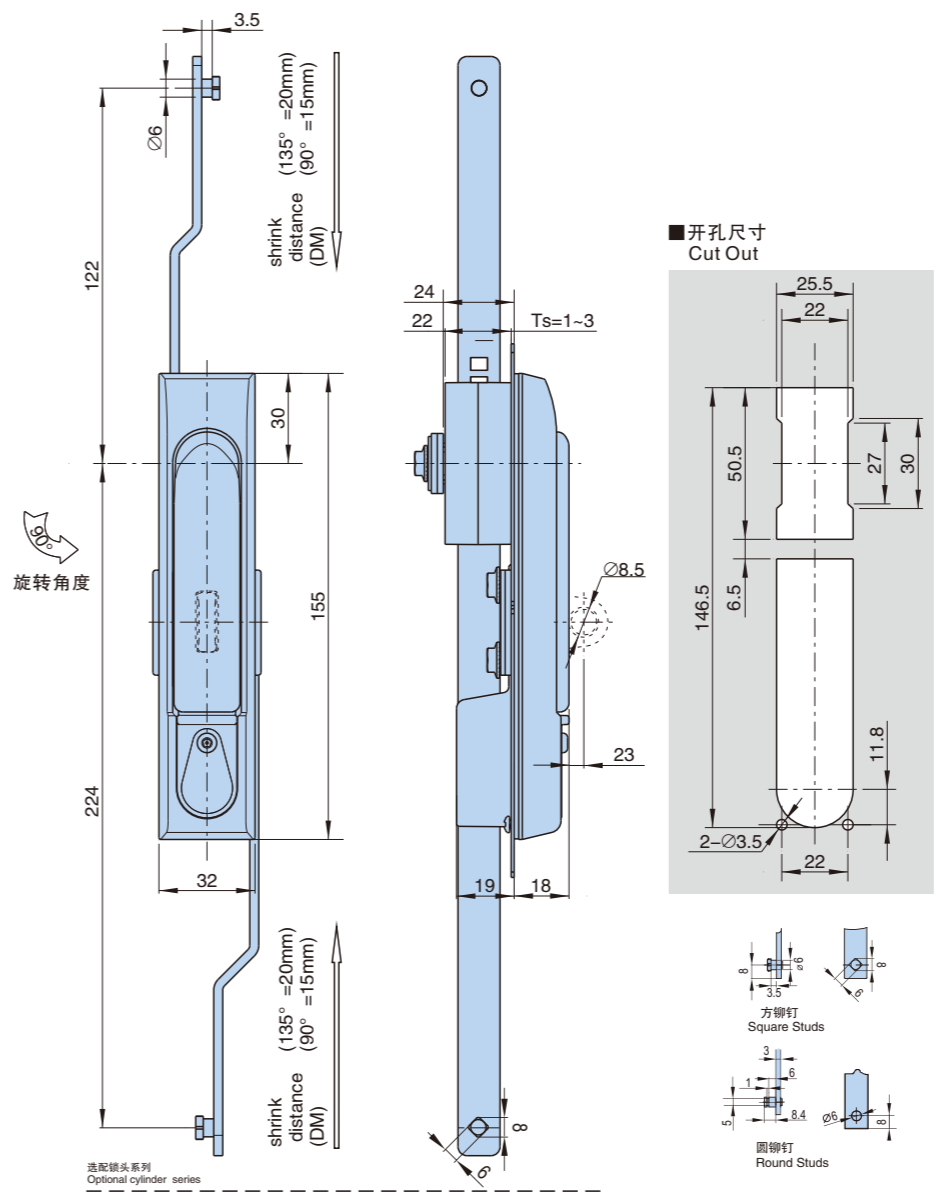


锁芯类别 Insert types	产品型号及特性 Product Number					
	单点式门锁 (带钢栓, 不带拉杆) One point lock(with cam,without rod)					
	不带挂锁 W/O Padlock	产品单重 Weight(g)	装箱数 Lot	带挂锁 With Padlock	产品单重 Weight(g)	装箱数 Lot
MS4008Z-2(K0200)	MS4008Z-2-1	601.5	50	MS4008Z-2G-1	611.5	50
MS480-2(K0600)	MS4008Z-2-1A	534.5	50	MS4008Z-2G-1A	544.5	50
MS480-2(K0200)	MS4008Z-2-1B	552	50	MS4008Z-2G-1B	562.5	50
MS480-2B(一字芯)	MS4008Z-2-1C	600.6	50	MS4008Z-2G-1C	611	50
MS480-2(原子芯)	MS4008Z-2-1D	562.6	50	MS4008Z-2G-1D	573	50

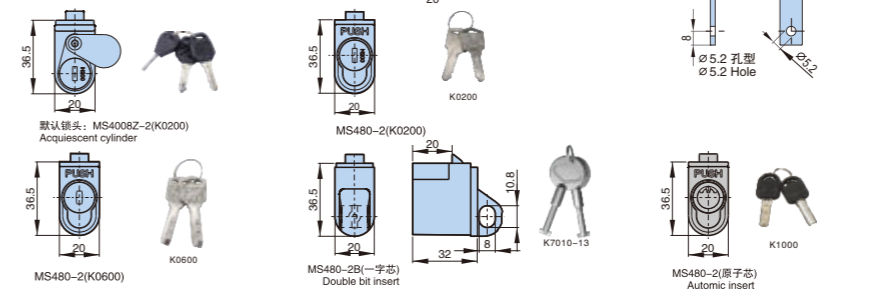
- 材质: 锌合金锁壳, 锁背, 锁头组件, A3齿条, 锁片
- 表面处理: 喷亚光黑锁壳, 锁背, 镀铬亮铬锁头组件, 喷砂镀铬齿条, 配件镀蓝白锌处理
- 结构功能: 锁背90° 旋转实现开启或锁闭。
- 适用门板厚度: 1~3mm
- 备注: 锁片开孔 7x7
- Material: Zinc alloy housing, back and cylinder, A3 steel rod, cam
- Finish: Black powder coated housing, back. Bright chrome plating cylinder, sand gray chrome rod, zinc plating accessories.
- Function: 90° rotation of the back drive the gear box to lock and unlock.
- Panel thickness: 1~3mm
- Remark: Cam Cutout 7x7

齿轮传动式连杆锁 Gear Drive Rod Control Lock

MS4008Z-2-2



选配锁头系列 Optional cylinder series



锁芯类别 Insert types	产品型号及特性 Product Number					
	双点式门锁 (带拉杆, 不带锁片) Two point lock(with rod, without cam)					
	不带挂锁 W/O Padlock	产品单重 Weight(g)	装箱数 Lot	带挂锁 With Padlock	产品单重 Weight(g)	装箱数 Lot
MS4008Z-2(K0200)	MS4008Z-2-2	690.8	50	MS4008Z-2G-2	620.2	50
MS480-2(K0600)	MS4008Z-2-2A	642	50	MS4008Z-2G-2A	652.4	50
MS480-2(K0200)	MS4008Z-2-2B	647.5	50	MS4008Z-2G-2B	658.9	50
MS480-2B(一字芯)	MS4008Z-2-2C	690.5	50	MS4008Z-2G-2C	700.9	50
MS480-2(原子芯)	MS4008Z-2-2D	652.5	50	MS4008Z-2G-2D	662.9	50

MS4008Z-2-2A

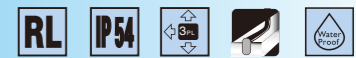
- 材质: 锌合金锁壳, 锁背, 锁头组件, A3齿条, 锁片
- 表面处理: 喷亚光黑锁壳, 锁背, 镀铬亮铬锁头组件, 喷砂镀铬齿条, 配件镀蓝白锌处理
- 结构功能: 锁背90° 旋转带动齿轮盒组件实现开启或锁闭。
- 适用门板厚度: 1~3mm
- 备注: 锁片开孔 8x8
- Material: Zinc alloy housing, back and cylinder, A3 steel rod, cam.
- Finish: Black powder coated housing, back. Bright chrome plating cylinder, sand gray chrome rod, zinc plating accessories.
- Function: 90° rotation of the back drive the gear box to lock and unlock.
- Panel thickness: 1~3mm
- Remark: Cam Cutout 8x8

MS4008Z-2-3

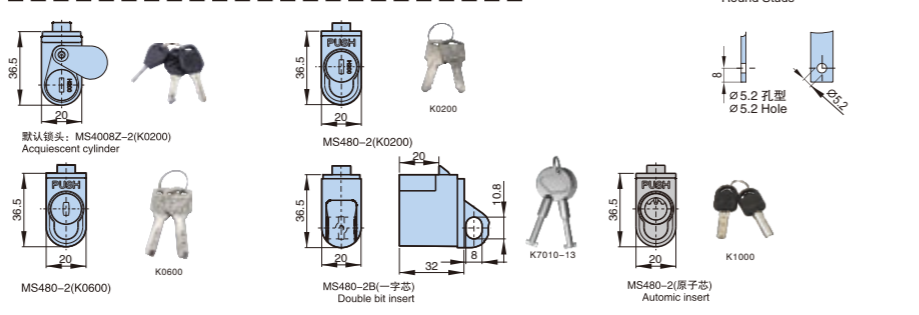
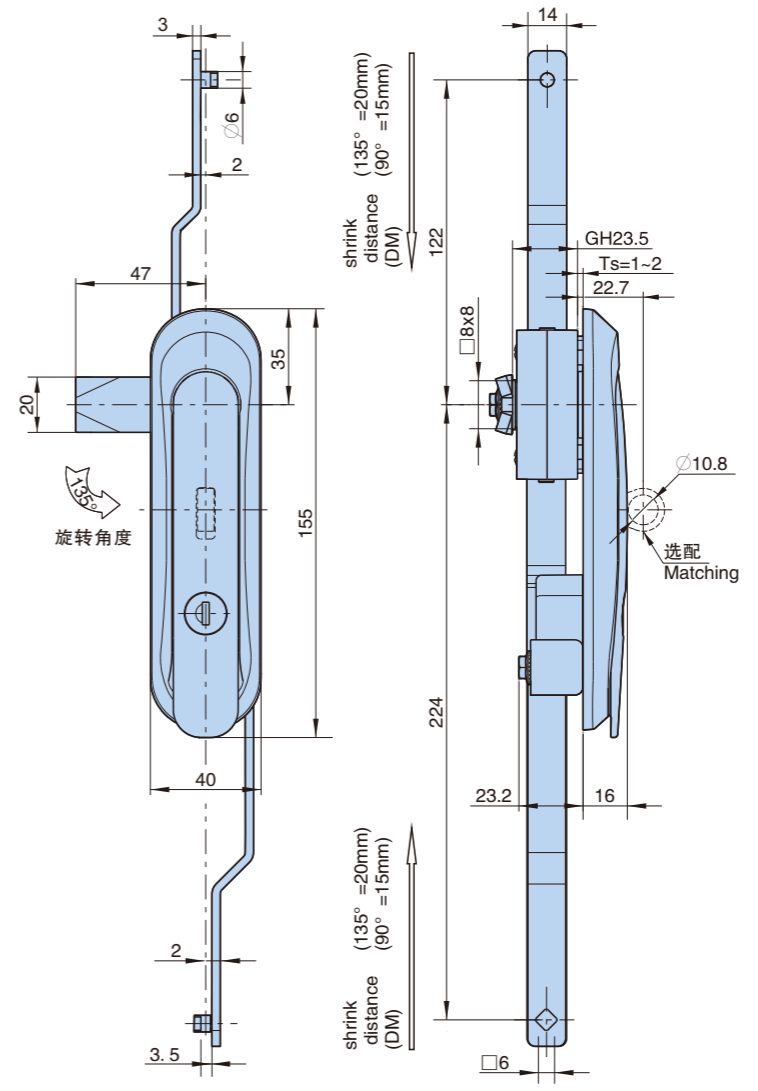
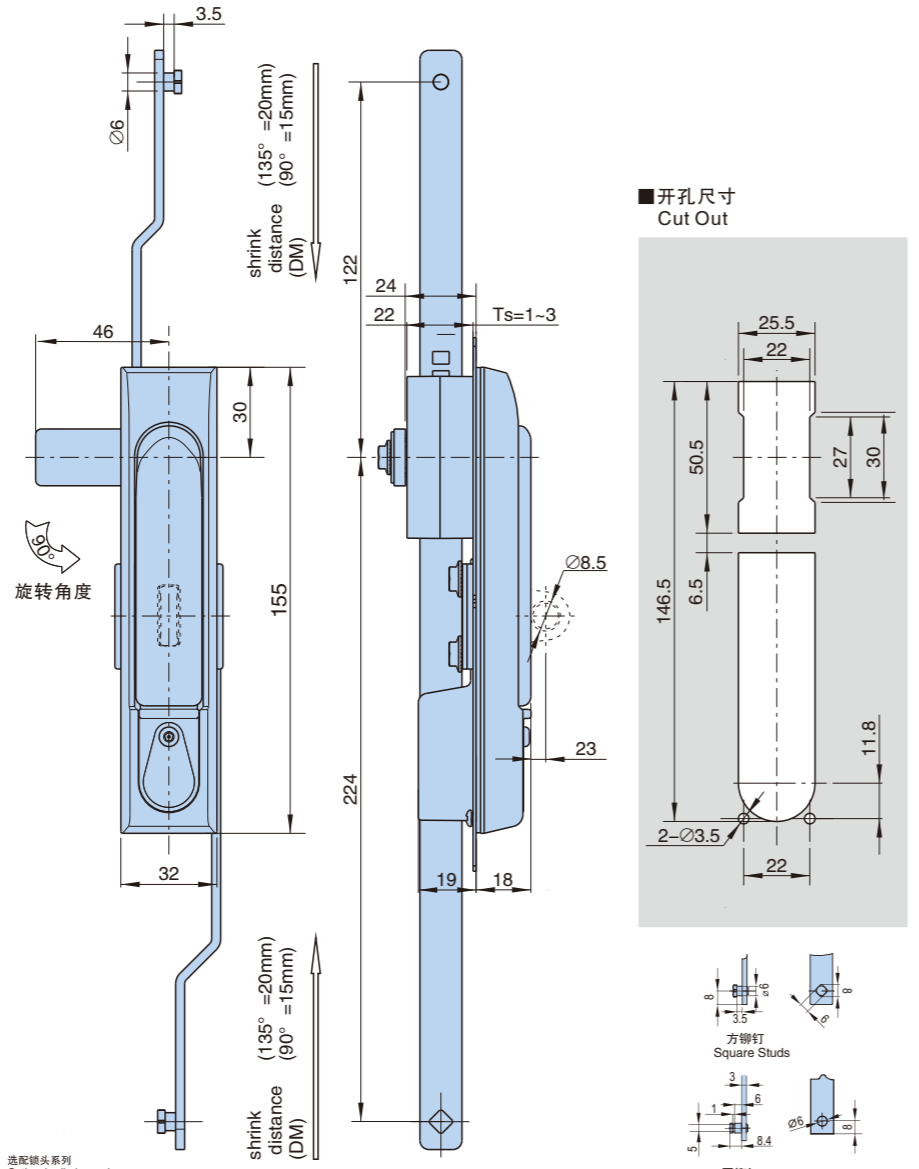
齿轮传动式连杆锁 Gear Drive Rod Control Lock

齿轮传动式连杆锁 Gear Drive Rod Control Lock

MS4085Z



MS4008Z-2-3



- 材质: 锌合金锁壳, 锁背, 锁头组件, A3齿条, 锁片
- 表面处理: 喷亚光黑锁壳, 锁背, 镀铬亮铬锁头组件, 喷砂镀铬齿条, 配件镀蓝白锌处理
- 结构功能: 锁背90° 旋转带动齿轮盒组件实现开启或锁闭。
- 适用门板厚度: 1~3mm
- 备注: 锁片开孔 8x8
- Material: Zinc alloy housing, back and cylinder, A3 steel rod, cam.
- Finish: Black powder coated housing, back. Bright chrome plating cylinder, sand gray chrome rod, zinc plating accessories.
- Function: 90° rotation of the back drive the gear box to lock and unlock.
- Panel thickness: 1~3mm
- Remark: Cam Cutout 8x8

Table with columns: 锁芯类别 Insert types, 产品型号及特性 Product Number, 不带挂锁 W/O Padlock, 产品单重 Weight(g), 装箱数 Lot, 带挂锁 With Padlock, 产品单重 Weight(g), 装箱数 Lot

Table with columns: 型号 Product no., 特性说明 Characteristic description, 产品单重(g) Weight, 装箱数 Lot

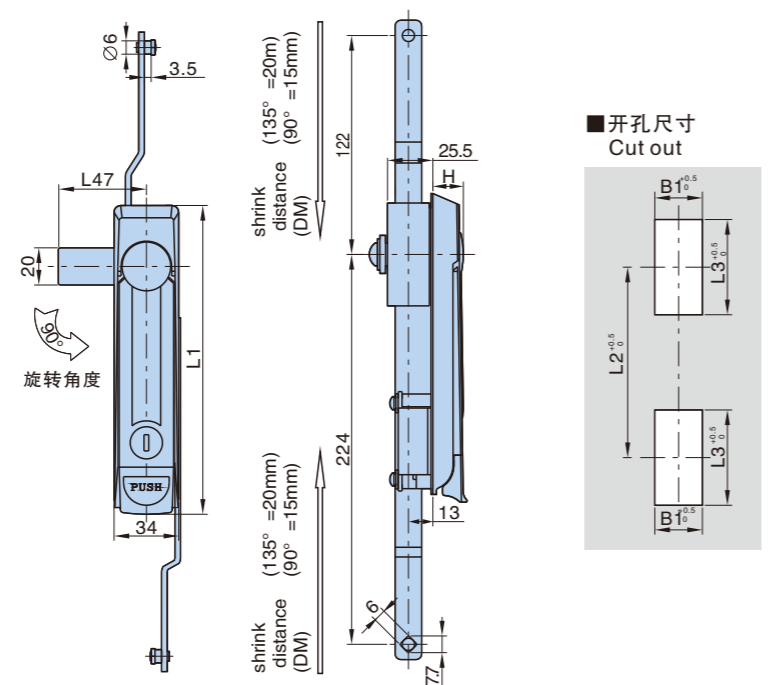
MS741

齿轮传动式连杆锁 Gear Drive Link Lock



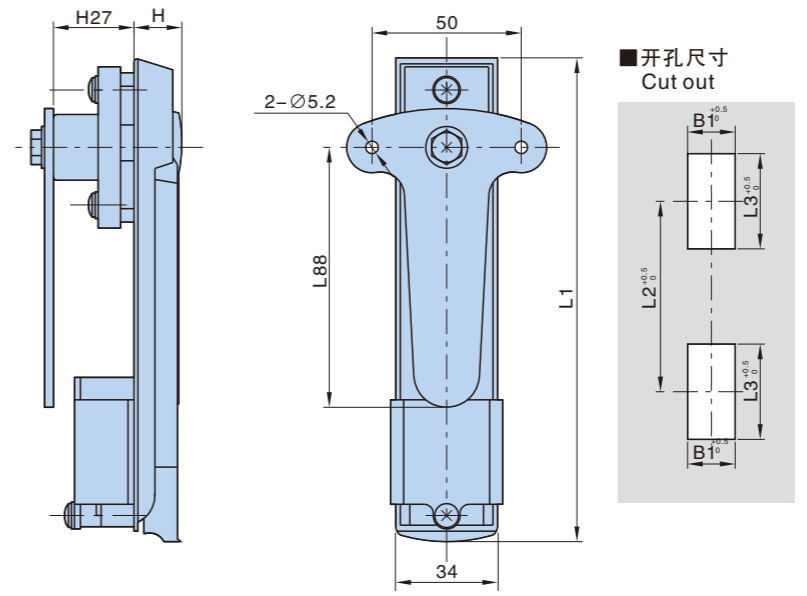
MS741-1-1 MS741-2-1

- 材质: 锌合金锁体、转轴, 镀锌安装板、锁片、喷砂镀铬齿条
- 表面处理: 喷沙纹黑
- 适用门板厚度: 1~4mm
- 备注: 锁片开孔 $\square 8 \times 8$
- Material: zinc die-casting body and shaft, zinc plating cam and bracket, sand bright chrome plating rack
- Finish: Black powder coated,
- Panel thickness: 1~4mm
- Remark: cam cutout $\square 8 \times 8$ padlockable on request



基本尺寸 Dimensions					产品型号 Product Number	产品 单重(g) Weight	装箱数 Lot
L1	L2	L3	B1	H			
162	100	50	25	16	MS741-1-1	636	50
162	100	50	25	16	MS741-1-1G	650	50
136	74	49.5	24.5	18	MS741-2-1	600	50

锁片传动式连杆锁 Cam Drive Rod Control Lock



基本尺寸 Dimensions					产品型号 Product Number	产品 单重(g) Weight	装箱数 Lot
L1	L2	L3	B1	H			
162	100	50	25	16	MS743-1-1	517	50
162	100	50	25	16	MS743-1-1G	517	50
136	74	49.5	24.5	18	MS743-2-1	478	50

MS743

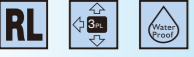


MS743-2-1

- 材质: 锌合金锁体, 镀锌安装板、锁片
- 表面处理: 喷沙纹黑
- 适用门板厚度: 1~4mm
- 备注: 锁片开孔 $\square 8 \times 8$
- Material: Zinc die-casting body, Zinc plating cam, fixing parts
- Finish: Black powder coated
- Panel thickness: 1~4mm
- Remark: cam cutout $\square 8 \times 8$ padlockable on request

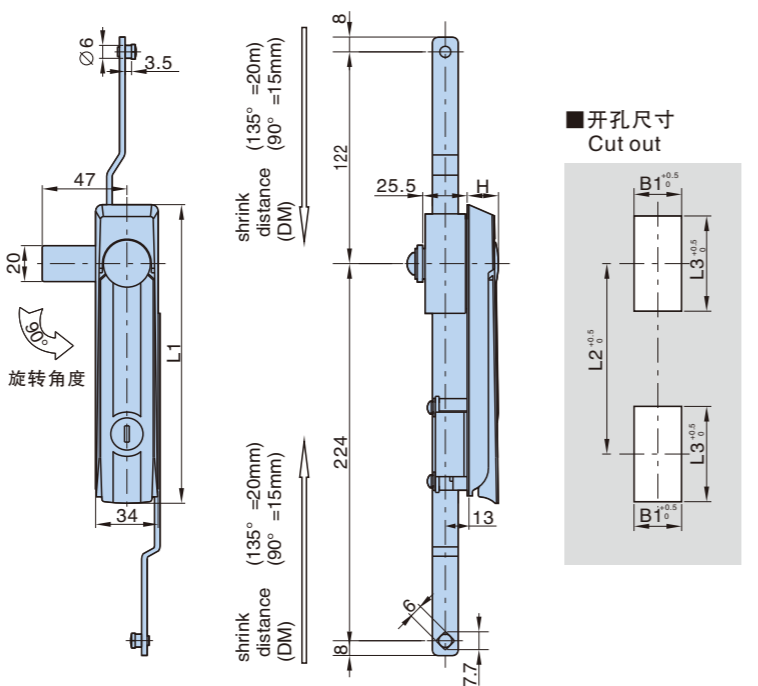
MS742

锁片传动式连杆锁 Cam Drive Rod Control Lock



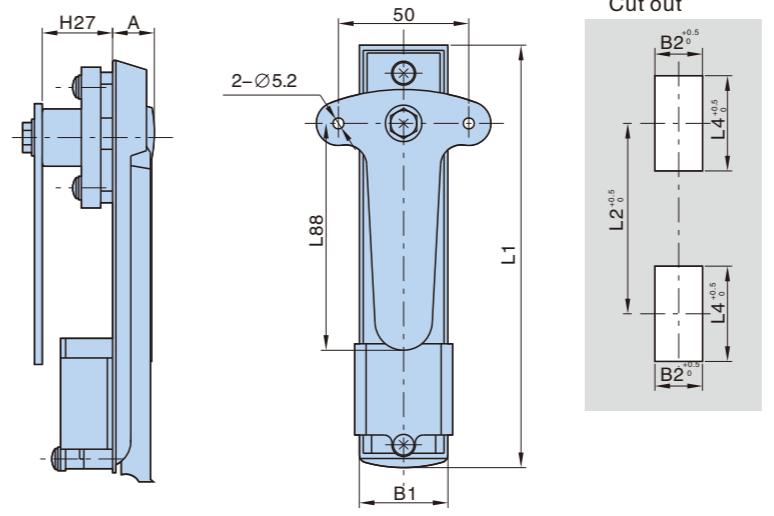
MS742-1-1 MS742-2-1

- 材质: 锌合金锁体, 转轴, 镀锌安装板、锁片、喷砂镀铬齿条
- 表面处理: 喷沙纹黑
- 适用门板厚度: 1~4mm
- 备注: 锁片开孔 $\square 8 \times 8$
- Material: zinc die-casting body and shaft, zinc plating cam and bracket, sand bright chrome plating rack
- Finish: Black powder coated,
- Panel thickness: 1~4mm
- Remark: cam cutout $\square 8 \times 8$



基本尺寸 Dimensions					产品型号 Product Number	产品 单重(g) Weight	装箱数 Lot
L1	L2	L3	B1	H			
162	100	50	25	16	MS742-1-1	638	50
136	74	49.5	24.5	18	MS742-2-1	602	50

锁片传动式连杆锁 Cam Drive Rod Control Lock



基本尺寸 Dimensions							产品型号 Product Number	产品 单重(g) Weight	装箱数 Lot
L1	L2	L3	L4	B1	B2	A			
162	100	50	50	34	25	16	MS744-1-1	459	50
136	74	49.5	49.5	34	24.5	18	MS744-2-1	430	50
121	68	49.5	34.5	30	24.5	18	MS744-3-1	420	50

MS744



MS744-3-1

- 材质: 锌合金锁体, 镀锌安装板、锁片
- 表面处理: 喷沙纹黑, 镀锌
- 适用门板厚度: 1~4mm
- 备注: 锁片开孔 $\square 8 \times 8$
- Material: Zinc die-casting body, Zinc plating cam, fixing parts
- Finish: Black powder coated
- Panel thickness: 1~4mm
- Remark: cam cutout $\square 8 \times 8$

MS103

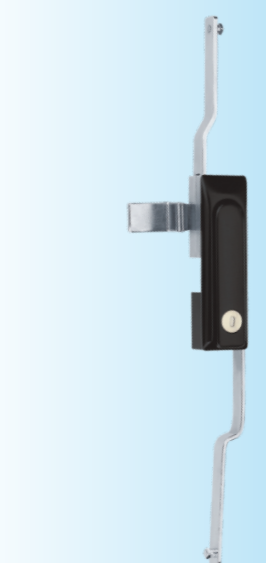
齿轮传动式连杆锁 Gear Drive Rod Control Lock

齿轮传动式连杆锁 Gear Drive Rod Control Lock

MS761

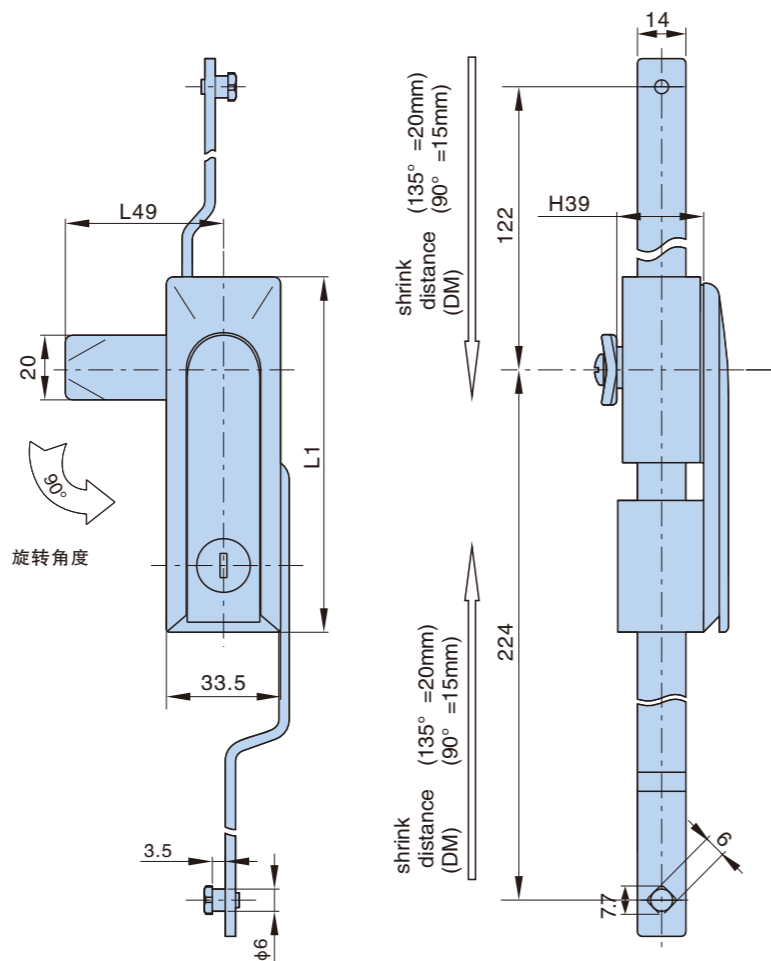


MS103-1-1

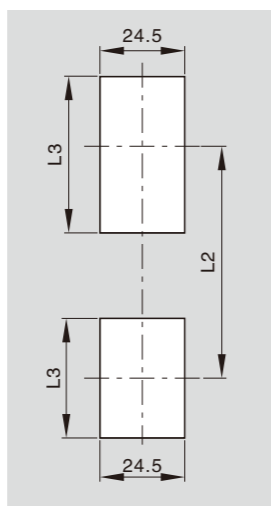


MS103-3-1

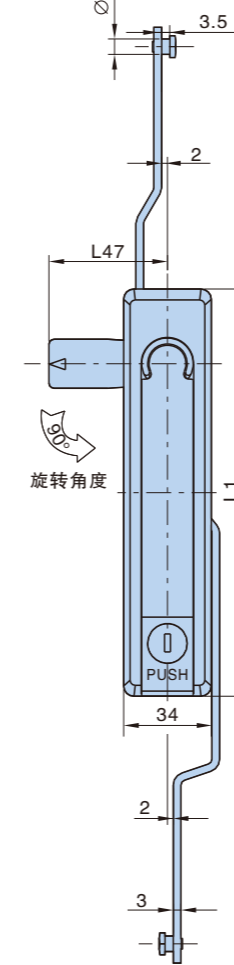
- 材质：锌合金锁体，镀锌锁片，喷砂镀铬齿条
- 表面处理：喷无光黑，镀锌铬
- 适用门板厚度：1~2mm
- Material: Zinc die-casting body zinc plating cam, sand bright chrome plating rack
- Finish :Black powder coated Gray chrome plating
- Panel thickness:1~2mm



■ 开孔尺寸
Cut out

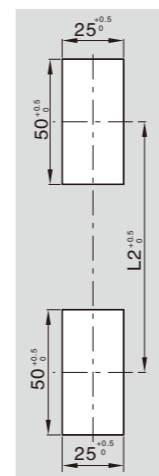


基本尺寸 Dimensions			产品型号 Product Number	产品单重(g) Weight	装箱数 Lot
L1	L2	L3			
152	94.5	49.5	MS103-1-1	525	50
131	74	49.5	MS103-2-1	500	50
114	68	49.5	MS103-3-1	462	50

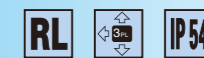


MS761-1-1

■ 开孔尺寸
Cut out



基本尺寸 Dimensions		产品型号 Product Number	产品单重(g) Weight	装箱数 Lot
L1	L2			
158	100	MS761-1-1	674	50
133	75	MS761-2-1	565	50



MS761-2-1

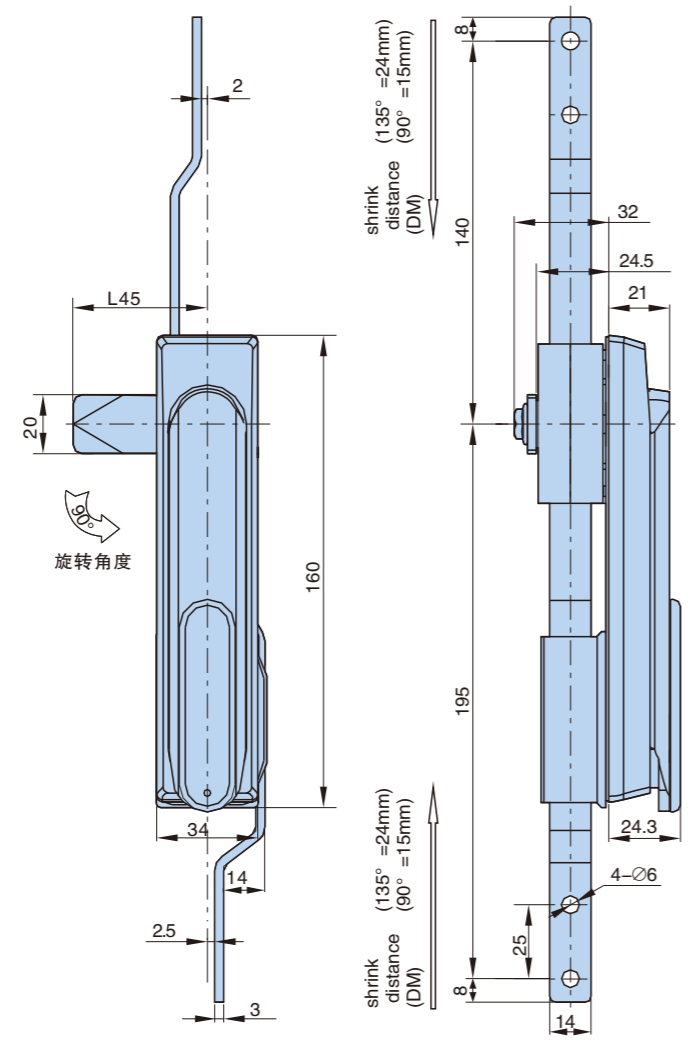
- 材质：锌合金锁体，转轴，镀锌安装板，锁片、喷砂镀铬齿条
- 表面处理：镀锌铬，喷无光黑
- 适用门板厚度：1~4mm
- 备注：锁片开孔□8×8
- Material: zinc die-casting body and shaft, zinc plating cam and bracket, sand bright chrome plating rack
- Panel thickness:1~4mm
- Finish :Gray chrome plating, Black powder coated
- Remark: cam cutout □8×8

MS833-1-3

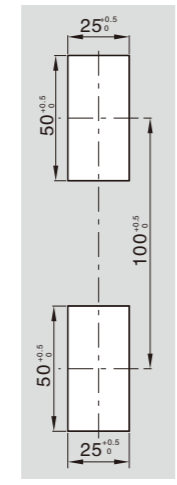
齿轮传动式连杆锁 Gear Drive Rod Control Lock

齿轮传动式连杆锁 Gear Drive Rod Control Lock

MS835

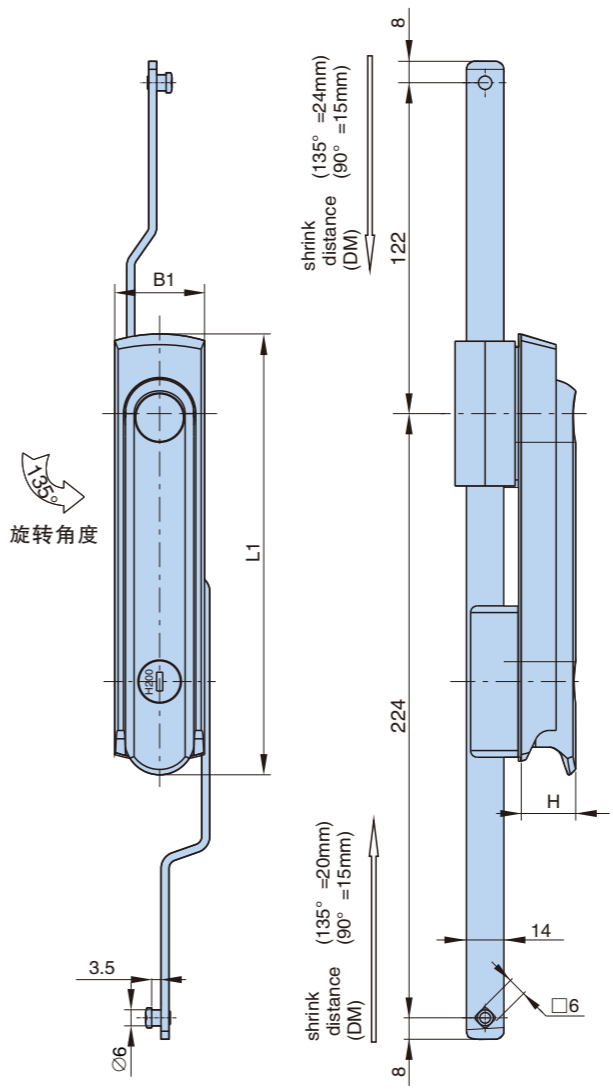


■开孔尺寸
Cut out

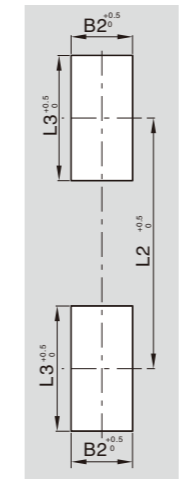


型号 Product no.	特性说明 Characteristic description	产品单重(g) Weight	装箱数 Lot
MS833-1-3	不带挂装置w/opadlcok	780	50
MS833-1-3G	带挂装置with padlock	800	50

- 材质: 锌合金锁体, 镀锌锁片, 喷砂镀铬亮铬齿条
- 表面处理: 喷沙纹黑
- 适用门板厚: 1~2mm
- 备注: 锁片开孔□7×7
- Material :Zinc die-casting body, zinc plating cam sand bright chrome plating rack
- Finish :Matt black
- panel thickness:1~2mm
- remark:camcutout□7×7



■开孔尺寸
Cut out



尺寸 Dimensions 型号Product no.	L1	L2	L3	B1	B2	H	产品单重(g) Weight	装箱数 Lot
MS835-1-1	164.5	100	50	33.5	25	20	771.5	50
MS835-2-1	136	74	49.5	33.5	24.5	16	590	50



MS835-2-1

- 材质: 锌合金锁体, 转轴, 镀锌安装板, 锁片、喷砂镀铬亮铬齿条
- 表面处理: 镀铬
- 适用门板厚度: 1~3mm
- 备注: 锁片开孔□8×8
- Material: zinc die-casting body and shaft, zinc plating cam and bracket, sand bright chrome plating rack
- Finish :Bright chrome plating
- panel thickness:1~3mm
- Remark:cam cutout □8×8

MS4089Z-1-3

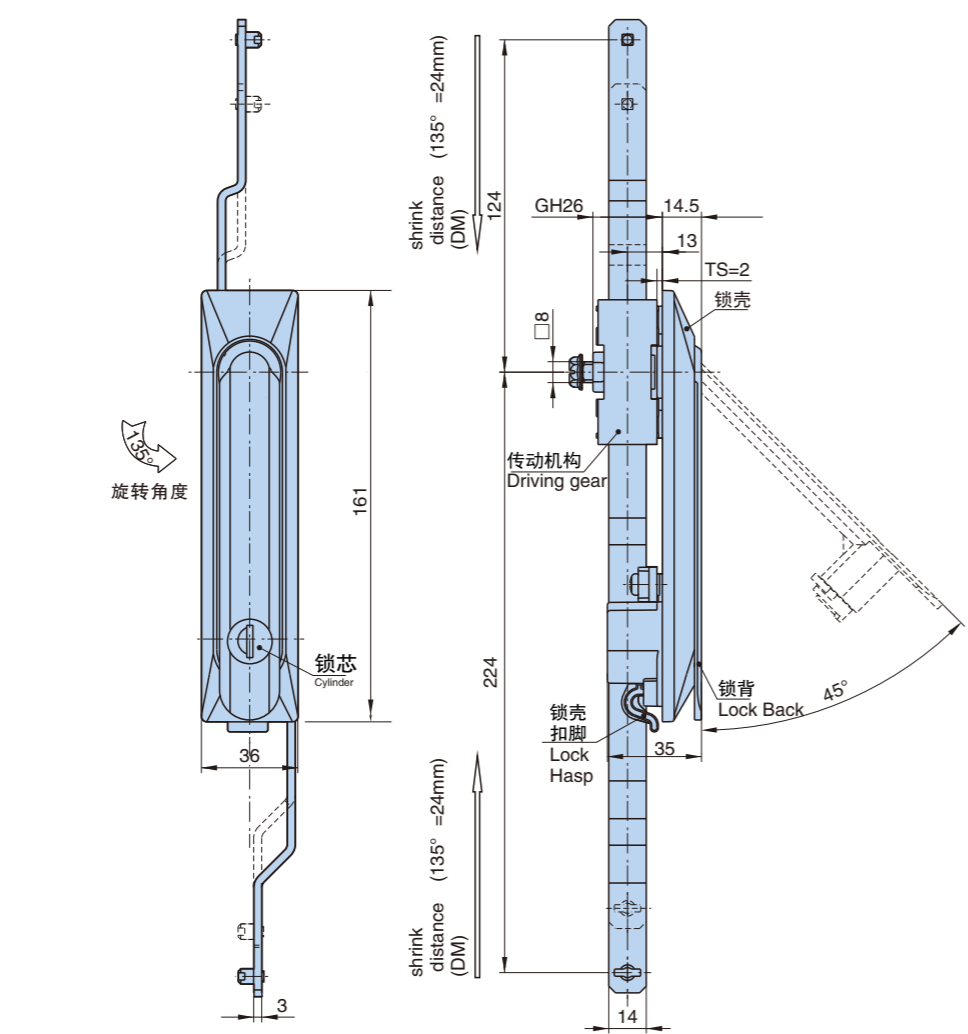
齿轮传动式连杆锁 Gear Drive Rod Control Lock

齿轮传动式连杆锁 Gear Drive Rod Control Lock

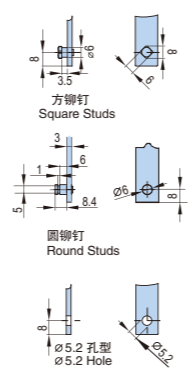
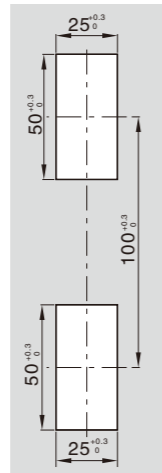
MS837-1-3



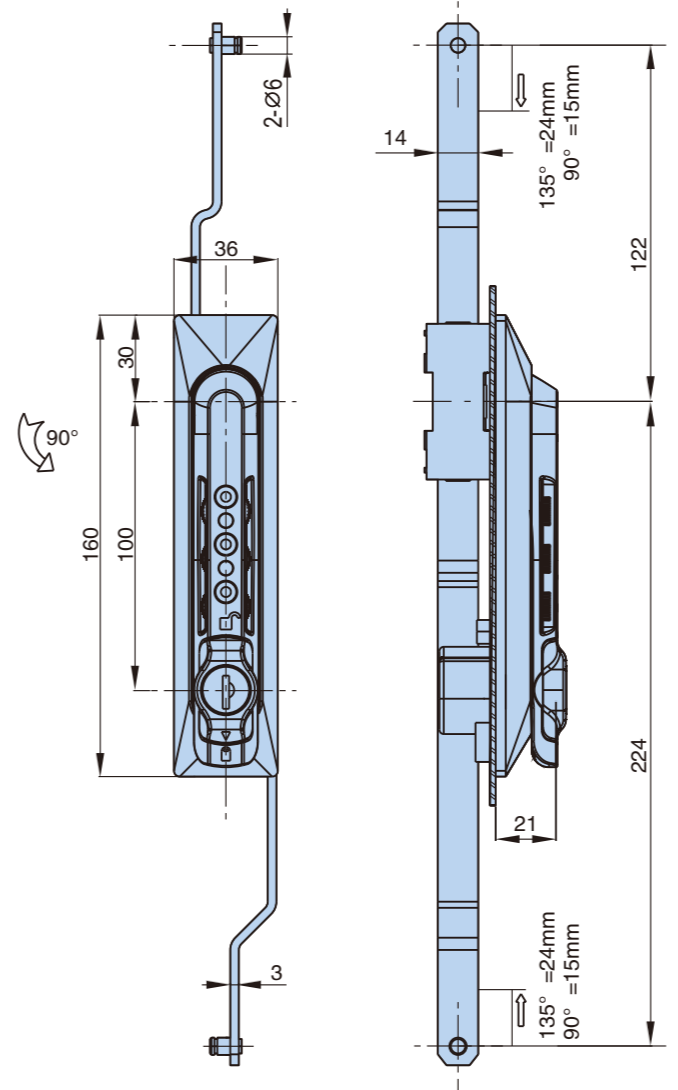
- 材质: PA6锁壳, 锌合金锁背,
- 转轴, 齿轮盒, A3齿条
- 表面处理: 沙纹面锁壳, 喷沙纹锁背
- 结构功能: 锁背135度旋转带动
- 齿轮盒组件实现开启和锁闭。
- 适用门板厚: 2mm
- 备注: 锁片开孔□8x8
- Material: PA6 for the housing, zinc alloy for the back, shaft and gear box, A3 for the rod
- Finish: sand grain surface for the housing, Matt black for the lock back
- Funtion: 135° rotation of the lock back drive the gear box to lock and unlock.
- Panel thickness: 2mm
- Remark: □8x8mm cut out



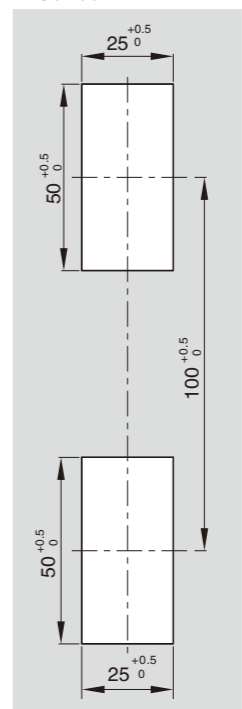
■ 开孔尺寸
Cut out



型号 Product no.	产品单重(g) Weight	装箱数 Lot
MS4089Z-1-3	486.6	50



■ 开孔尺寸
Cut out



型号 Product no.	产品单重(g) Weight	装箱数 Lot
MS837-1-3		50



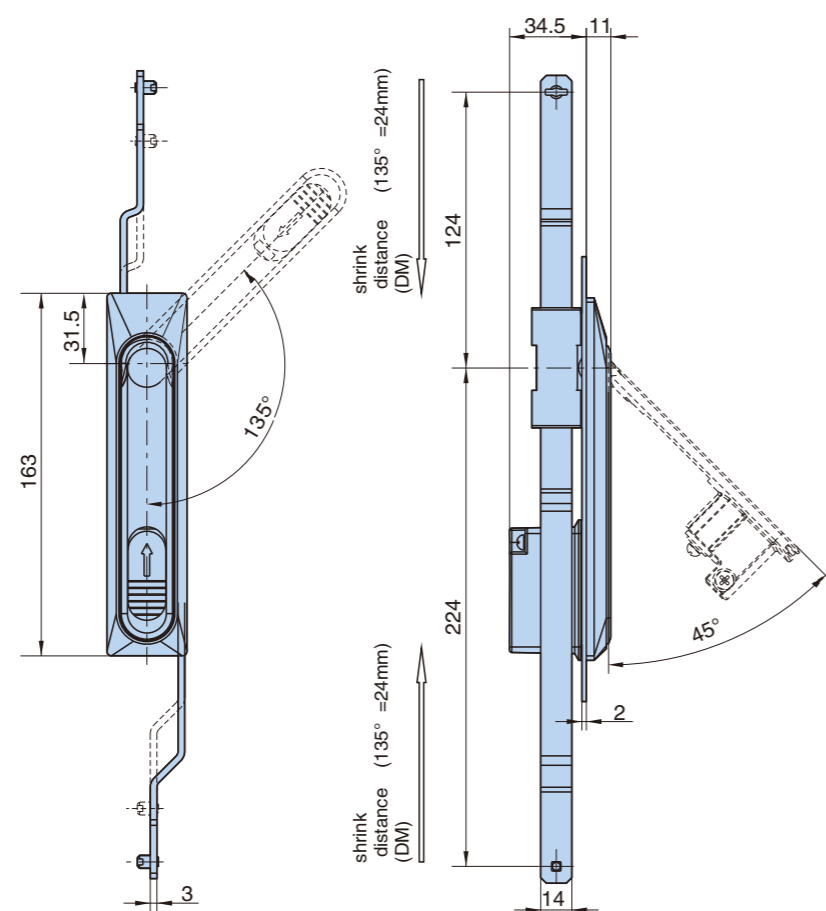
- 材质: PA锁壳, 锌合金锁芯, 齿轮盒, 喷砂镀铬亮铬齿条
- 表面处理: 黑色沙纹面
- 适用门板厚度: 1~2mm
- Material: PA lock housing, zinc alloy lock cylinder, rod control box, sand bright chrome plating rack
- Finish: Matt black
- Panel thickness: 1 ~2mm

MS843-1-2

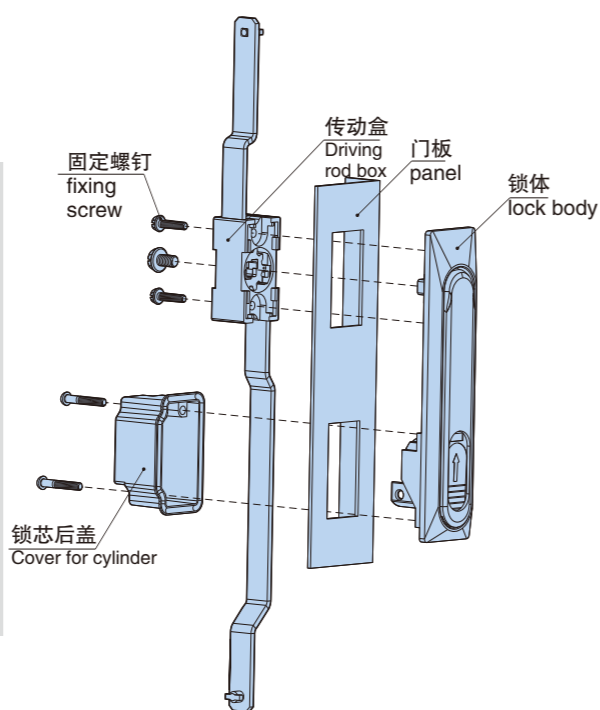
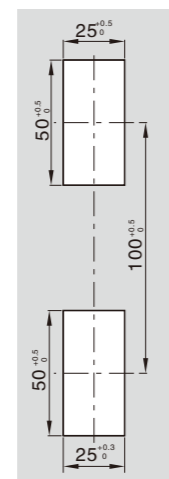
齿轮传动式连杆锁 Gear Drive Rod Control Lock



K0100



■开孔尺寸
Cut out

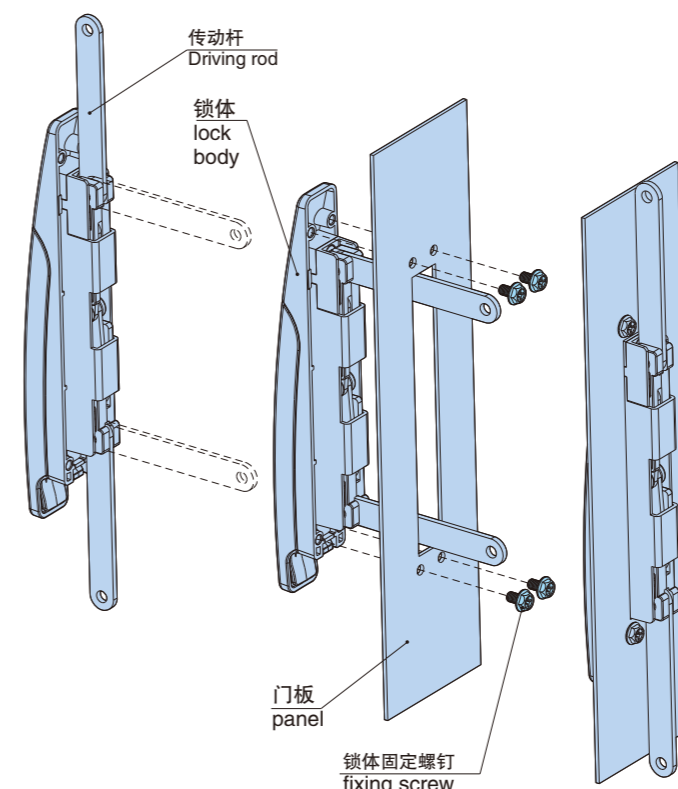
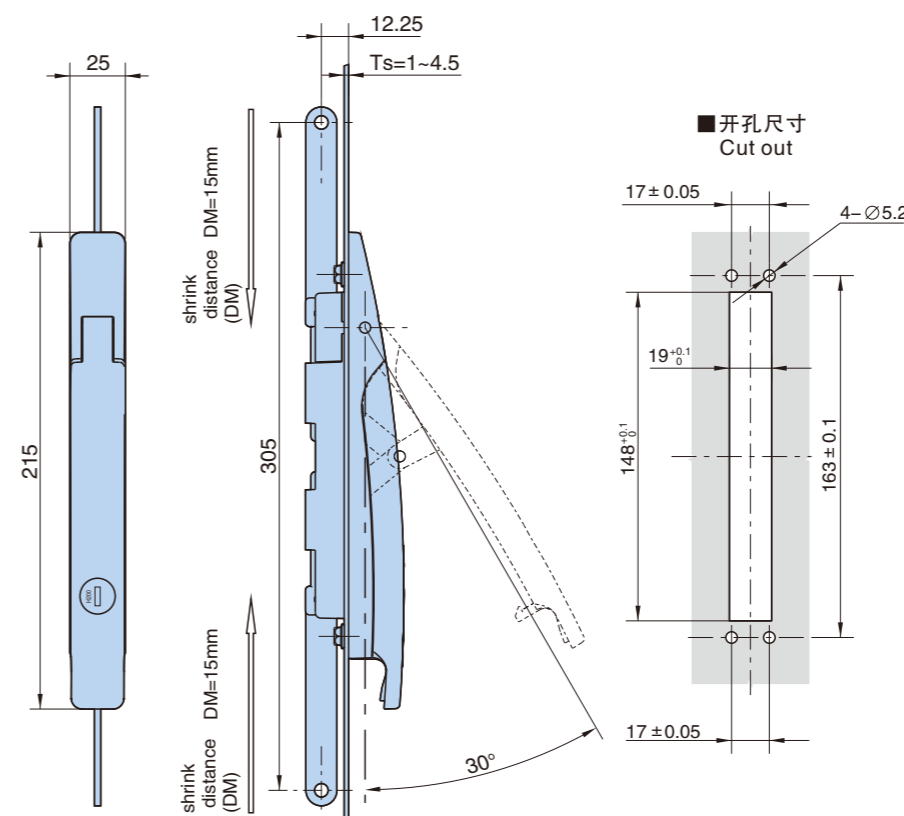


型号 Product no.	产品单重(g) Weight	装箱数 Lot
MS843-1-2	603	50

- 材质: 锌合金锁体、喷砂镀铬亮铬齿条
- 表面处理: 喷沙纹黑, 镀铬亮铬
- 适用门板厚度: 1~3mm
- Material: zinc die-casting body, sand bright chrome plating rack
- Finish: Matt black, Bright chrome plating
- Panel thickness: 1~3mm

齿轮传动式连杆锁 Gear Drive Rod Control Lock

MS8491Z-1-2



型号 Product no.	产品单重(g) Weight	装箱数 Lot
MS8491Z-1-2	633	50



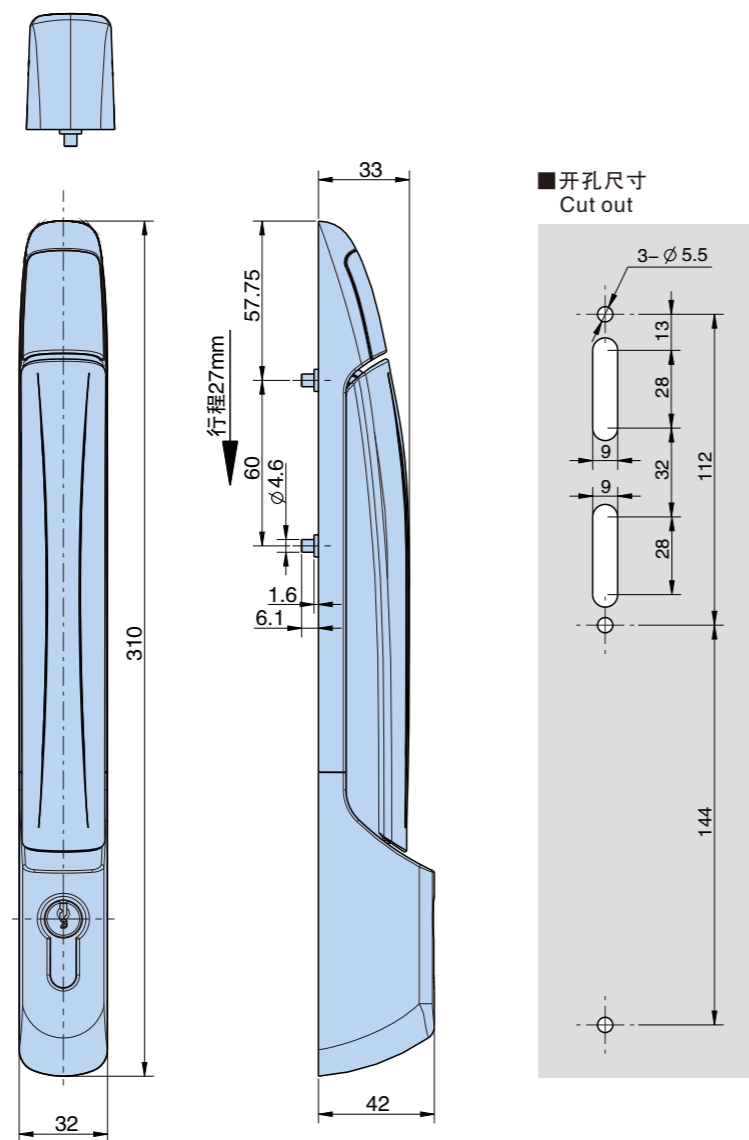
K0200



- 材质: 锌合金锁体, 喷砂镀铬亮铬齿条
- 表面处理: 喷无光黑
- 适用门板厚度: 1~4.5mm
- Material: zinc die-casting body, sand bright chrome plating rack
- Finish: Black powder coated
- Panel thickness: 1~4.5mm

MS8007Z-1-1

杠杆传动式连杆锁 Lever Rod Control Lock

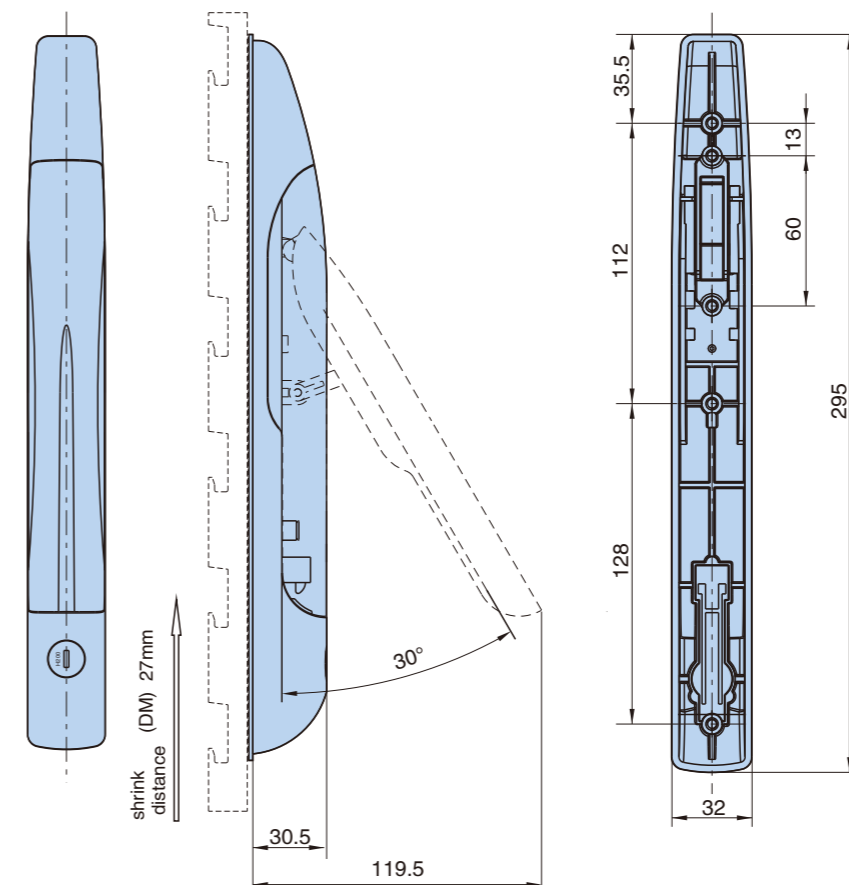


注：一般情况下用户可根据柜体结构及柜锁伸缩行程自行设计连杆

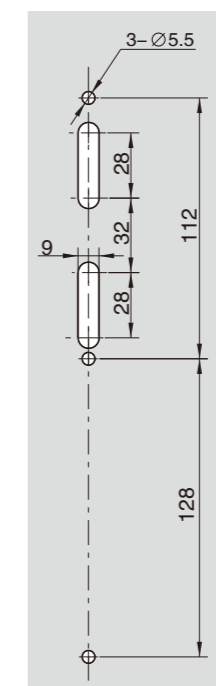
型号 Product no.	产品单重(g) Weight	装箱数 Lot
MS8007Z-1-1	853	25

杠杆传动式连杆锁 Lever Rod Control Lock

MS8009Z-1-1



注：一般情况下用户可根据柜体结构及柜锁伸缩行程自行设计连杆



- 材质：铝合金锁壳，锁背，锌合金锁芯，滑动块，连接杆
- 表面处理：喷无光黑
- 适用门板厚度：1~3mm
- 备注：默认K200钥匙
- 结构说明：手柄快速开启，安装方便快捷，一般情况下用户可根据柜体结构及柜锁伸缩行程自行设计连杆
- Material: aluminum alloy body back, zinc alloy lock cylinder, sliding block, connecting rod
- Finish :Black powder coated,
- Note: the default K200 keys
- Structure: handle open fast, convenient installation, generalAccording to cabinet and cabinet locks telescopic stroke design their own rod

型号 Product no.	产品单重(g) Weight	装箱数 Lot
MS8009Z-1-1	395	50

A拉手系列 Handles series

B平面锁系列 Plane lock series

C连杆锁系列 Rod control series

D面板锁系列 Plane lock series

E执手锁系列 Handle lock series

F转舌锁系列 Cam lock series

G铰链系列 Hinge series

H搭扣锁系列 Toggle lock series

I门销系列 Door bolt series

J电子锁系列 Electronic lock series

K密封条系列 Gasketing series

L限位系列 Door stop series

M附件系列 Accessories series

N不锈钢件系列 Stainless steel series

索引 Index

A拉手系列 Handles series

B平面锁系列 Plane lock series

C连杆锁系列 Rod control series

D面板锁系列 Plane lock series

E执手锁系列 Handle lock series

F转舌锁系列 Cam lock series

G铰链系列 Hinge series

H搭扣锁系列 Toggle lock series

I门销系列 Door bolt series

J电子锁系列 Electronic lock series

K密封条系列 Gasketing series

L限位系列 Door stop series

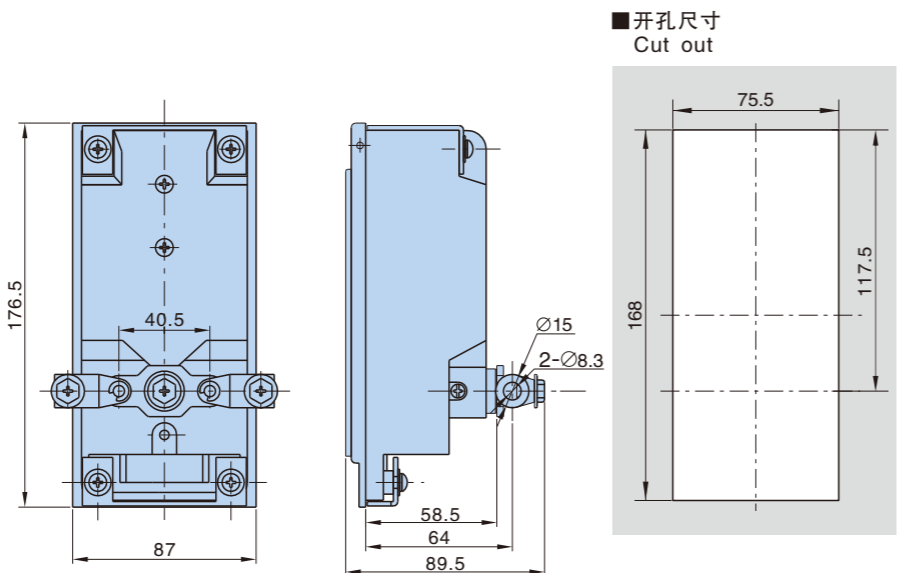
M附件系列 Accessories series

N不锈钢件系列 Stainless steel series

索引 Index

MSH-01

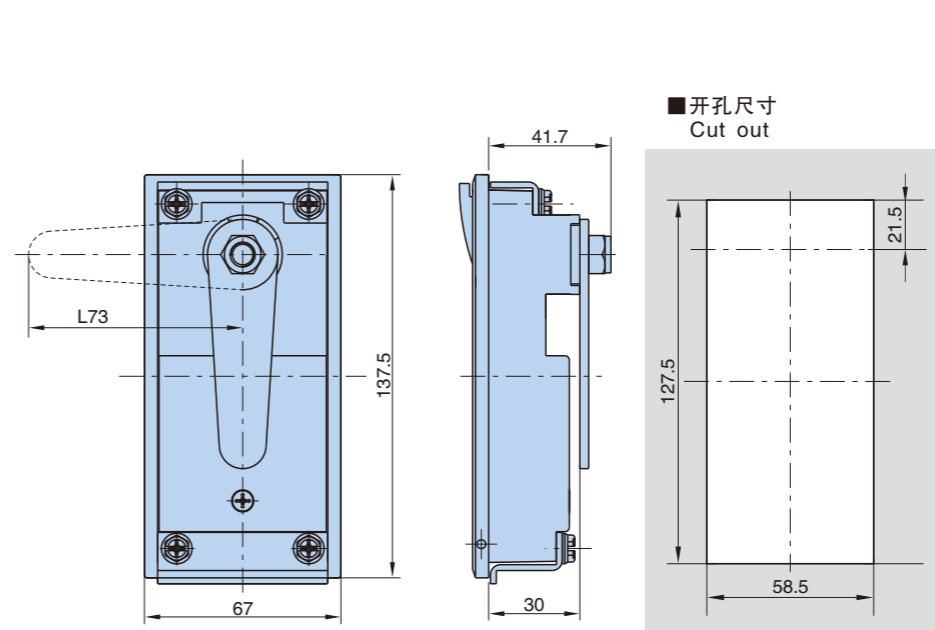
T型手柄-面板锁 Folding T-shape handle



- 材质: 铝合金壳体、锁盖、镀锌钢转轴、锁片、安装板
- 表面处理: 喷塑灰;
- 适用门板厚度: 1~4.5mm
- 备注: 带挂锁装置、钢栓开孔□10X10
- Material: Aluminum alloy body, Lock cover, Zinc Plating Shaft, cam, Mounting plate
- Finish: Gray powder coated;
- Panel thickness: 1~4.5mm
- Remark: Padlock device, cam cutout□10X10.

产品型号及特性 Product Number		产品单重(g) Weight	装箱数 Lot
无光黑 Black powder coated	MSH-01.3	896	25
喷灰色 Gray powder coated	MSH-01.9	896	25

T型手柄-面板锁 Folding T-shape handle



型号 Product no.	产品单重(g) Weight	装箱数 Lot
MSH-03	391.5	50

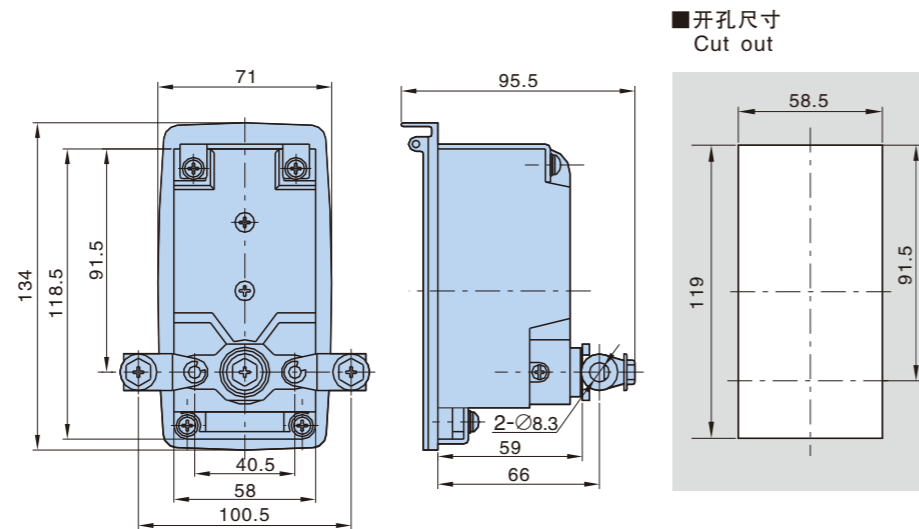
MSH-03



- 材质: 铝合金壳体、锁盖、镀锌钢转轴、锁片、安装板
- 表面处理: 喷塑灰;
- 适用门板厚度: 1~4.5mm
- 备注: 带挂锁装置、钢栓开孔□10X10
- Material: Aluminum alloy body, Lock cover, Zinc Plating Shaft, cam, Mounting plate
- Finish: Gray powder coated;
- Panel thickness: 1~4.5mm
- Remark: Padlock device, cam cutout□10X10.

MSH-02

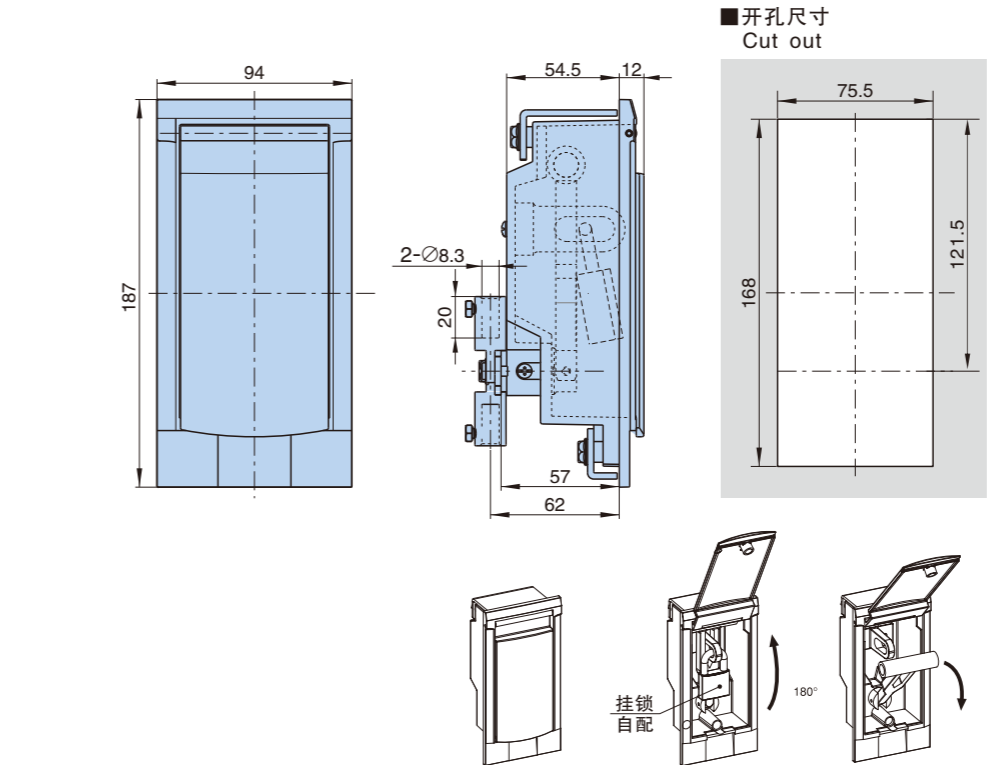
T型手柄-面板锁 Folding T-shape handle



- 材质: 锌合金锁体、镀锌锁片、压板
- 适用门板厚度: 1~4.5mm
- 表面处理: 喷无光黑, 喷塑灰
- Material: Zinc die-casting body, Zinc plating cam, fixing parts
- Panel thickness: 1~4.5mm;
- Finish: Gray or black color

产品型号及特性 Product Number		产品单重(g) Weight	装箱数 Lot
无光黑 Black powder coated	MSH-02.3	957	25
喷灰色 Gray powder coated	MSH-02.9	957	25

T型手柄-面板锁 Folding T-shape handle



产品型号及特性 Product Number		产品单重(g) Weight	装箱数 Lot
无光黑 Black powder coated	MSH-04.3	900	25
喷灰色 Gray powder coated	MSH-04.9	900	25

MSH-04



- 材质: 铝合金壳体、锁盖、镀锌钢转轴、锁片、安装板
- 表面处理: 喷塑灰;
- 适用门板厚度: 1~4.5mm
- 备注: 带挂锁装置、钢栓开孔□10X10
- Material: Aluminum alloy body, Lock cover, Zinc Plating Shaft, cam, Mounting plate
- Finish: Gray powder coated;
- Panel thickness: 1~4.5mm
- Remark: Padlock device, cam cutout□10X10.

A拉手系列
Handles series

B平面锁系列
Plane lock series

C连杆锁系列
Rod control series

D面板锁系列
Plane lock series

E执手锁系列
Handle lock series

F转舌锁系列
Cam lock series

G铰链系列
Hinge series

H搭扣锁系列
Toggle lock series

I门销系列
Door bolt series

J电子锁系列
Electronic lock series

K密封条系列
Gasketing series

L限位系列
Door stop series

M附件系列
Accessories series

N不锈钢件系列
Stainless steel series

索引
Index

A拉手系列
Handles series

B平面锁系列
Plane lock series

C连杆锁系列
Rod control series

D面板锁系列
Plane lock series

E执手锁系列
Handle lock series

F转舌锁系列
Cam lock series

G铰链系列
Hinge series

H搭扣锁系列
Toggle lock series

I门销系列
Door bolt series

J电子锁系列
Electronic lock series

K密封条系列
Gasketing series

L限位系列
Door stop series

M附件系列
Accessories series

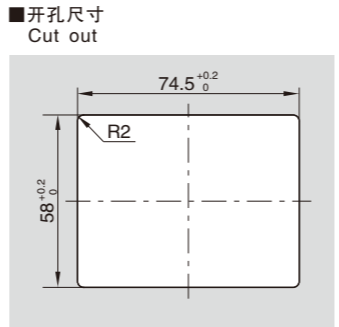
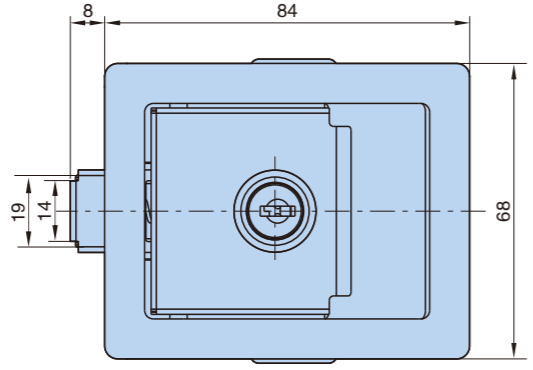
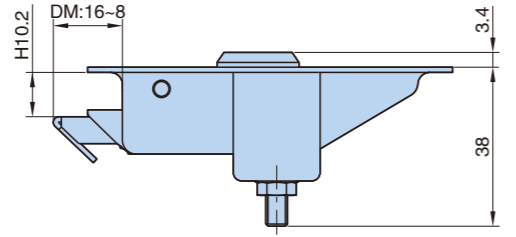
N不锈钢件系列
Stainless steel series

索引
Index

MS738-1-1

推拉式面板锁 Push-pull panel lock

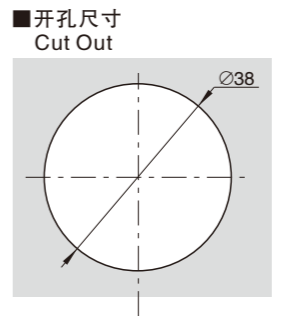
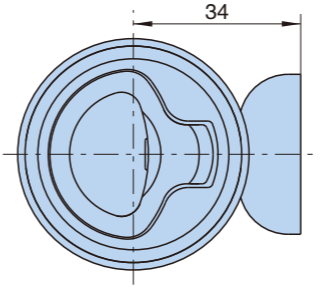
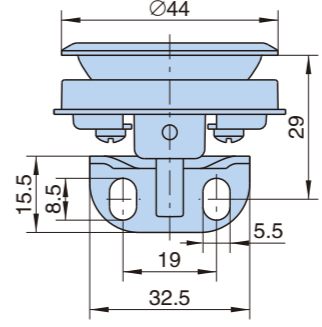
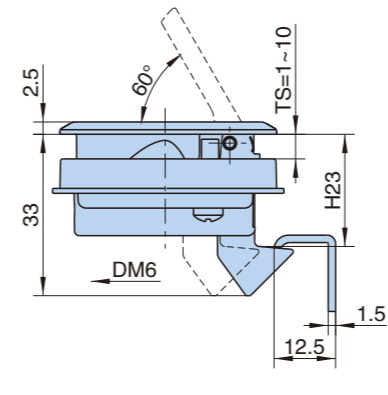
RL



- 材质: A3钢面板、锁背、安装板, 锌合金锁壳;
- 表面处理: 喷砂纹黑
- 适用门板厚度: 1~5mm
- 备注: 默认钥匙K0427
- Material: A3 steel panel, back and mounting plate, zinc die casting housing
- Finish: Matt black powder coated
- Panel thickness: 1~5mm
- Remark: K0427

型号 Product no.	产品单重(g) Weight	装箱数 Lot
MS738-1-1	204	200

推拉式面板锁 Push-pull panel lock



型号 Product no.	产品单重(g) Weight	装箱数 Lot
MS739-3	82.2	200

MS739-3

RL

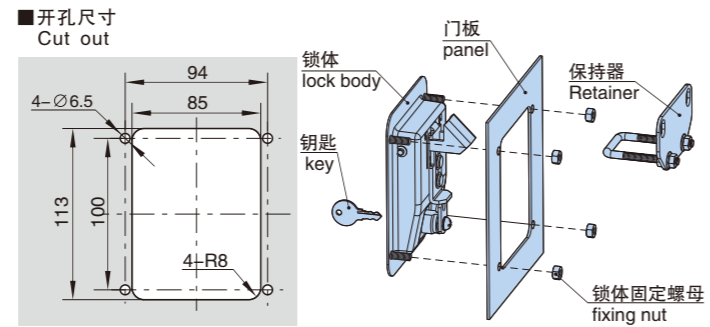
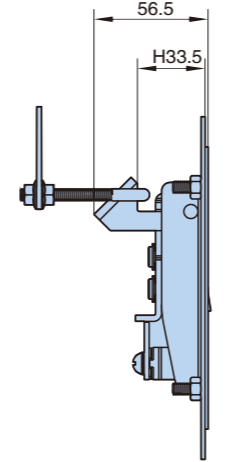
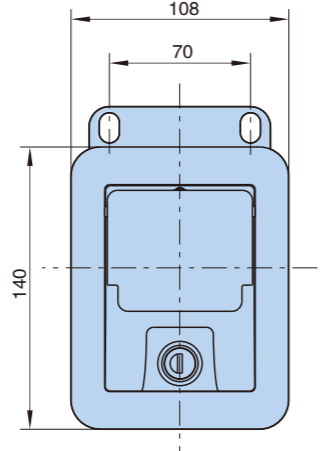


- 材质: 锌合金锁壳, 手柄、锁舌, 碳钢安装板,
- 表面处理: 镀亮铬, 配件镀蓝白锌
- 适用门板厚度: 1~10mm
- Material: zinc alloy for the housing handle and cam, steel for the mounting plate.
- Finish: bright chrome plating for the body, blue-white zinc plating for the accessories.
- Panel thickness: 1~10mm.

MS839

推拉式面板锁 Push-pull panel lock

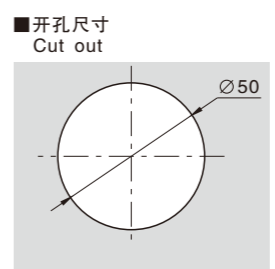
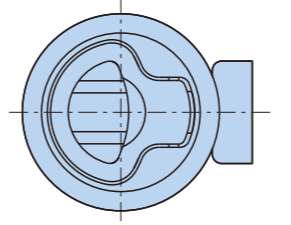
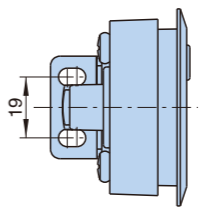
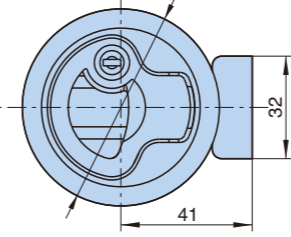
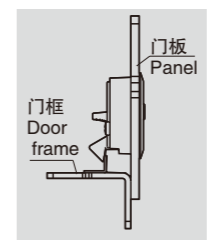
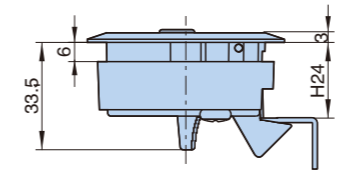
RL



- 材质: A3钢面板、锁背, 锌合金锁壳
- 表面处理: 喷无光黑
- 适用门板厚度: 1~4.5mm
- Material: A3 steel panel, back, Zinc die-casting housing
- Finish: Black powder coated
- Panel thickness: 1~4.5mm

型号 Product no.	产品单重(g) Weight	装箱数 Lot
MS839	536	40

推拉式面板锁 Push-pull panel lock



锌合金(Zin die) Weight	产品单重(g) Weight	装箱数 Lot	塑料黑色 Acetal black	产品单重(g) Weight	装箱数 Lot
MS739-2(带锁芯)	209.5	100	MS739-2P-1(带锁芯)		
MS739-2-2(无锁芯)	210	100	MS739-2P-2(无锁芯)		

MS739

RL



- 材质: 锌合金锁壳、支架、手柄, PA6锁芯、
- 表面处理: 镀亮铬
- 适用门板厚度: 1~6mm
- Material: Zinc die-casting housing, Bracket and handle, PA6 insert
- Finish: bright chrome plated
- Panel thickness: 1~6mm

MS5093Z

推拉式面板锁 Push-pull panel lock



MS5093Z-1-3

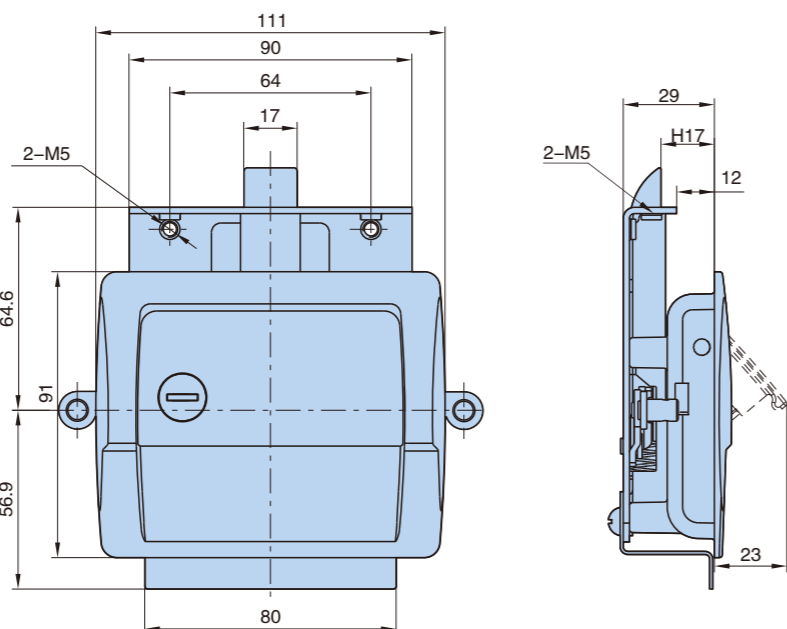


K0200

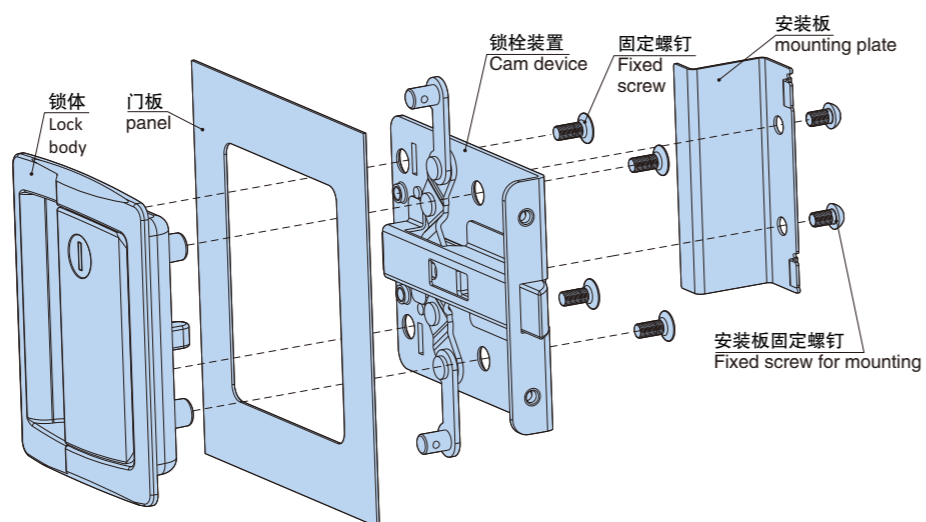
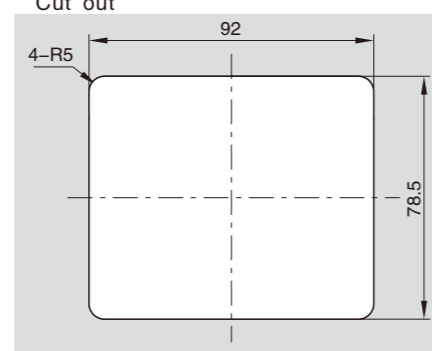


MS5093Z-2-3

- 材质: 锌合金锁体, 镀锌钢锁柱装置
- 表面处理: 镀沙铬
- 适用门板厚度: 1~3mm
- Material: zinc alloy body, Zinc plating cam
- Finish :Gray chrome plating
- Panel thickness: 1 ~ 3mm

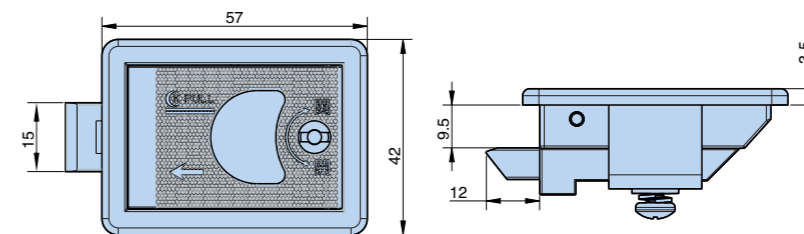


■ 开孔尺寸
Cut out

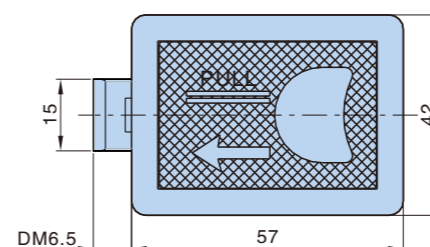


型号 Product no.	产品单重(g) Weight	装箱数 Lot
MS5093Z-1-3	777.5	50
MS5093Z-2-3	765	50

推拉式面板锁 Push-pull panel lock

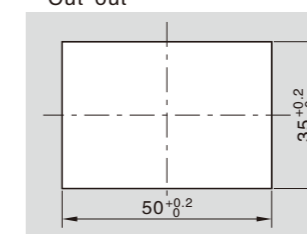


MS731-1-1



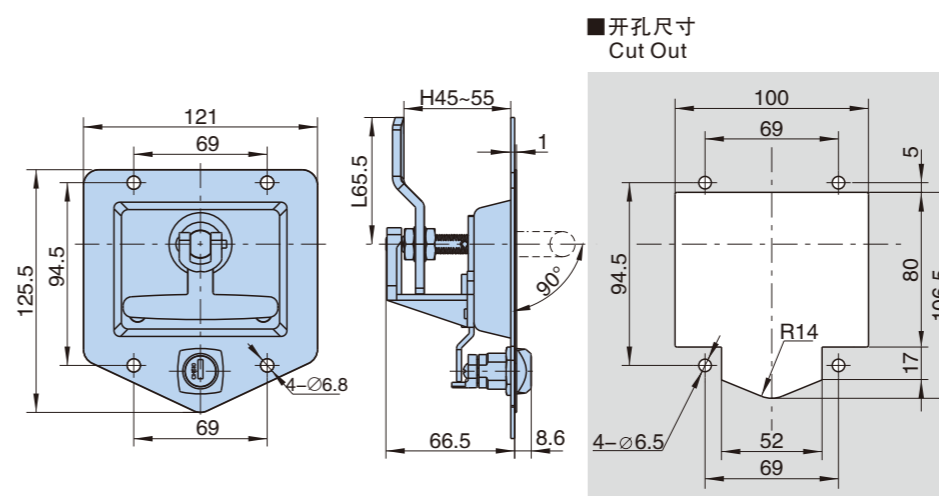
MS731-1-2

■ 开孔尺寸
Cut out



产品型号及特性 Product Number		产品单重(g) Weight	装箱数 Lot
有锁芯 With key	MS731-1-1	150.5	200
无锁芯 w/o key	MS731-1-2	134.5	200

T型手柄-面板锁 Folding T-shape handle



■ 开孔尺寸
Cut Out

型号 Product no.	产品单重(g) Weight	装箱数 Lot
MS5094Z-1-1	660.2	24

MS731



MS731-1-1



MS731-1-2

- 材质: 锌合金锁体、镀锌压板
- 表面处理: 镀亮铬
- 适用门板厚度: 1~5mm
- Material: Zinc die-casting body Zinc plating cam, fixing parts
- Finish :Bright chrome plating
- Panel thickness: 1~5mm

MS5094



CH510

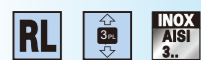
- 材质: 不锈钢面板, 锌合金手柄, 锁壳, 轴套, 碳钢螺 杆, 锁片
- 表面处理: 镜面抛光不锈钢面板, 镀亮铬手柄, 锁壳, 配件镀蓝白锌
- 适用门板厚度: 1~4.5
- Material: stainless steel for the panel, zinc alloy for the handle, housing and axle sleeve, steel for the screw and cam.
- Finish: mirror polish for the panel, bright chrome plating for the handle and housing, blue-white zinc plating for the accessories.
- Panel thickness: 1~4.5mm.

MS830

T型手柄-面板锁Folding T-shape handle

T型手柄-面板锁Folding T-shape handle

MS903-1



MS830-1



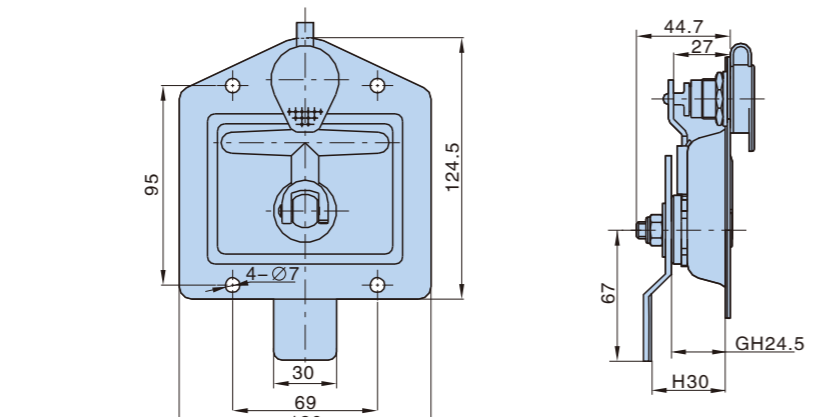
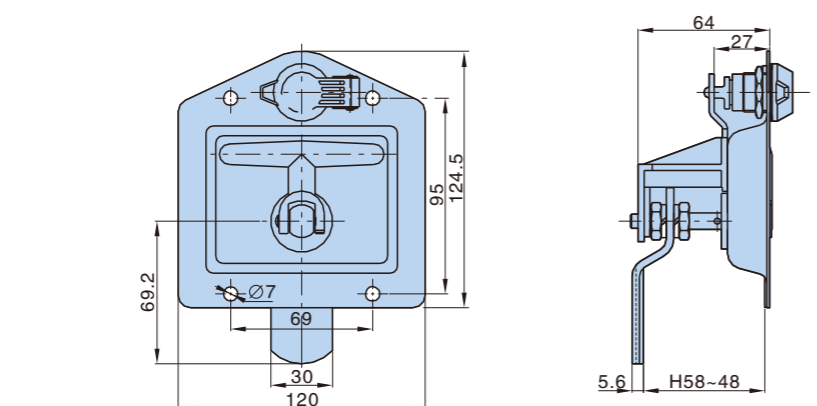
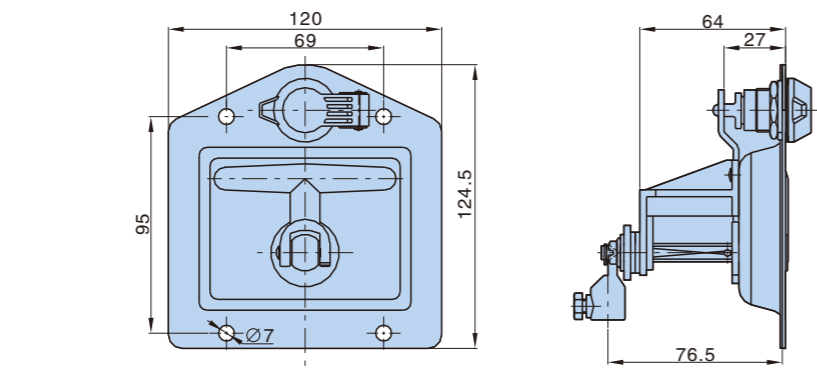
MS830-2



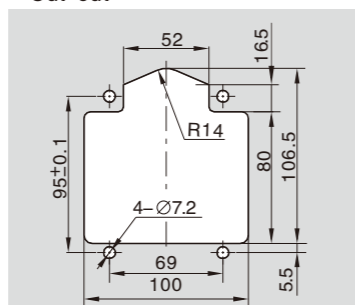
MS830-3



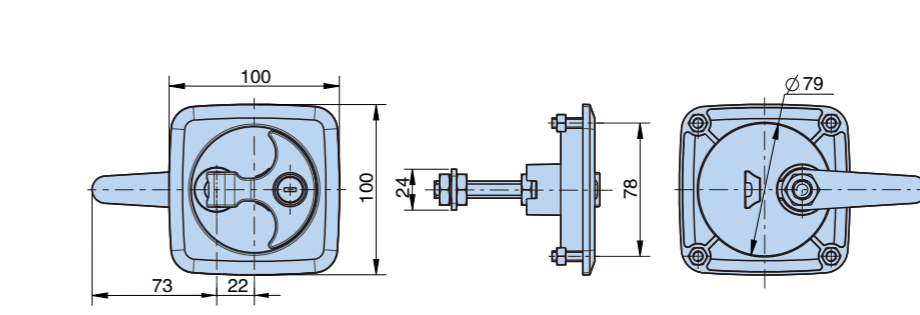
- 材质: 镜面不锈钢面板、锌合金手柄, 镀锌锁片
- 适用门板厚度: 1~4.5mm
- Material: Mirror surface stainless steel, Zinc plating handle zinc-die casting cam
- Panel thickness: 1~4.5mm



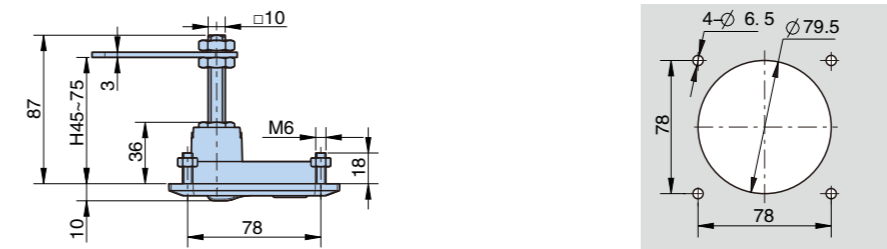
■ 开孔尺寸
Cut out



型号 Product no.	产品单重(g) Weight	装箱数 Lot
MS830-1	700	24
MS830-2	650	24
MS830-3	630	24



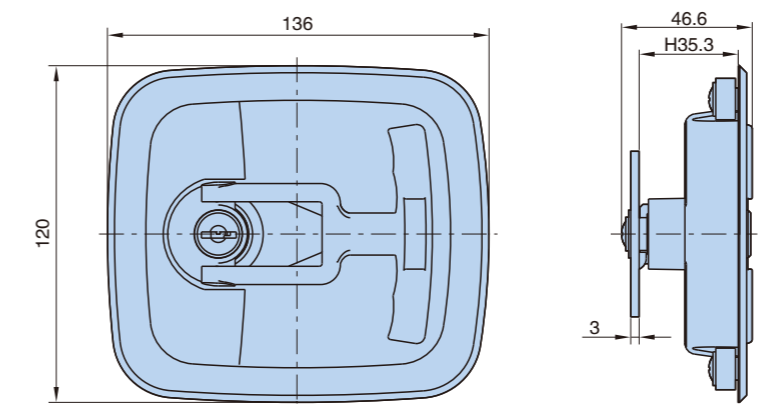
■ 开孔尺寸
cut out



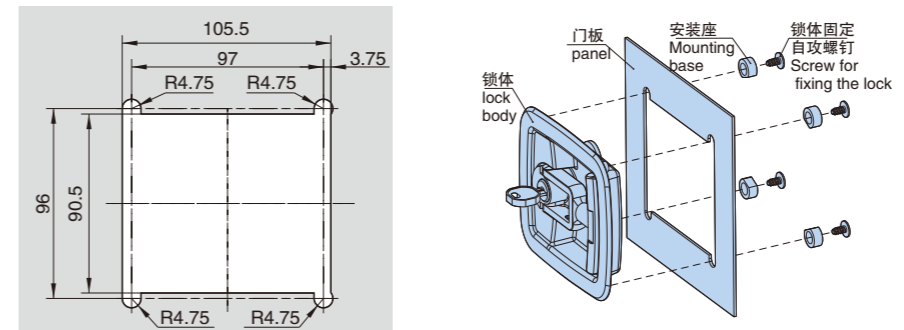
型号 Product no.	产品单重(g) Weight	装箱数 Lot
MS903-1	553.5	50

T型手柄-面板锁Folding T-shape handle

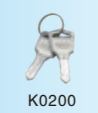
MS904-1



■ 开孔尺寸
Cut out



型号 Product no.	产品单重(g) Weight	装箱数 Lot
MS904-1	176.8	50



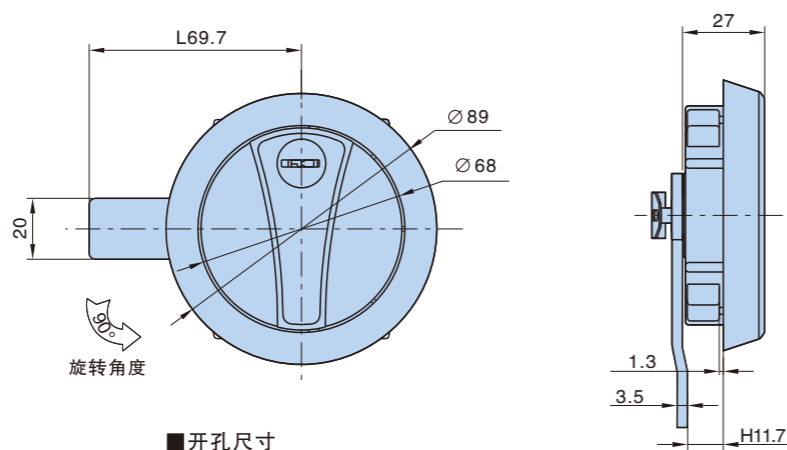
- 材质: 锌合金手柄、锁壳, 镀锌锁片;
- 表面处理: 镀亮铬
- 适用门板厚度: 1~5mm
- 备注: 锁片开孔□10X10
- Material: Zinc die-casting handle and housing, Zinc plating cam
- Finish: Bright chrome plated
- Panel thickness: 1~5mm
- Remark: cam cutout □10X10



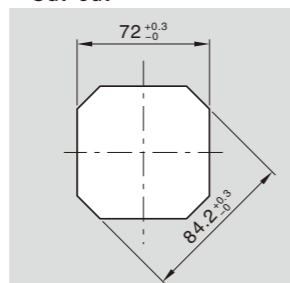
- 材质: PA手柄、锁壳, 镀锌锁片
- 表面处理: 黑色细沙纹面
- 适用门板厚度: 1~2mm
- 备注: 锁片开孔□8×8
- Material: PA handle and housing, Zinc plating cam
- Finish: Matt black
- Panel thickness: 1~2mm
- Remark: cam cutout □8×8

MS901

面板锁 Plane lock



■ 开孔尺寸
Cut out

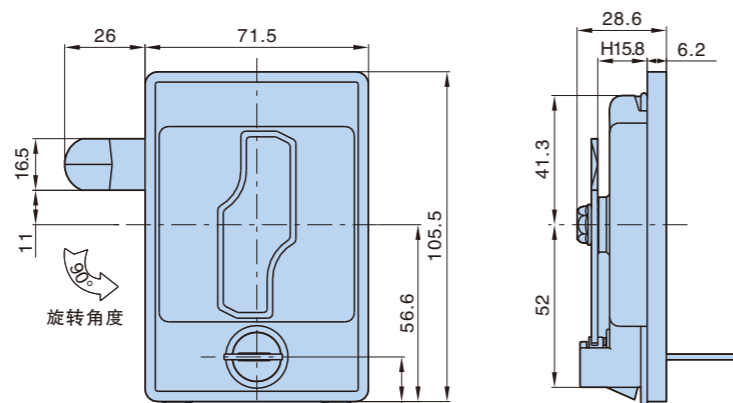


- 材质: ABS锁座, 锌合金旋钮、锁芯, 镀锌锁片
- 表面处理: 黑色咬花面
- 适用门板厚度: 0.8~1.2mm
- Material: ABS housing, zinc die-casting knob insert, Zinc plating cam, & fixing parts;
- Finish :Matt black
- Panel thickness:0.8~1.2mm.

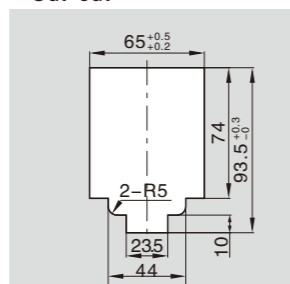
型号 Product no.	产品单重(g) Weight	装箱数 Lot
MS901	213.5	100

MS902

推拉式面板锁 Push-pull panel lock



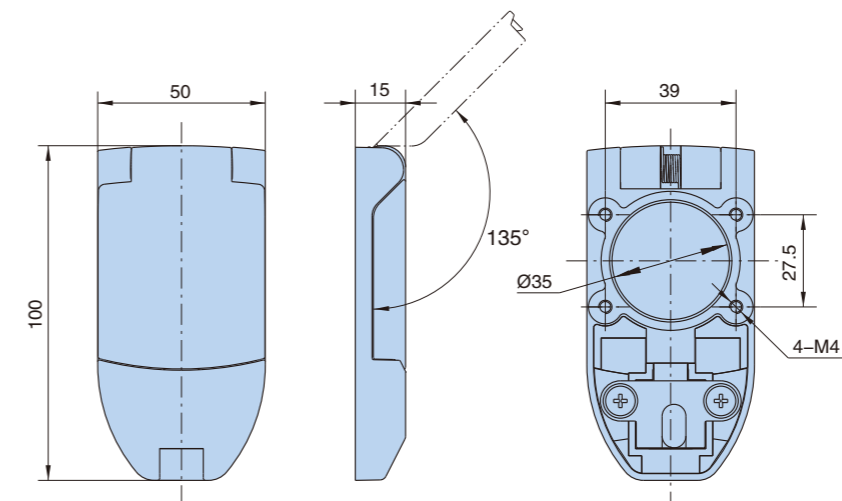
■ 开孔尺寸
Cut out



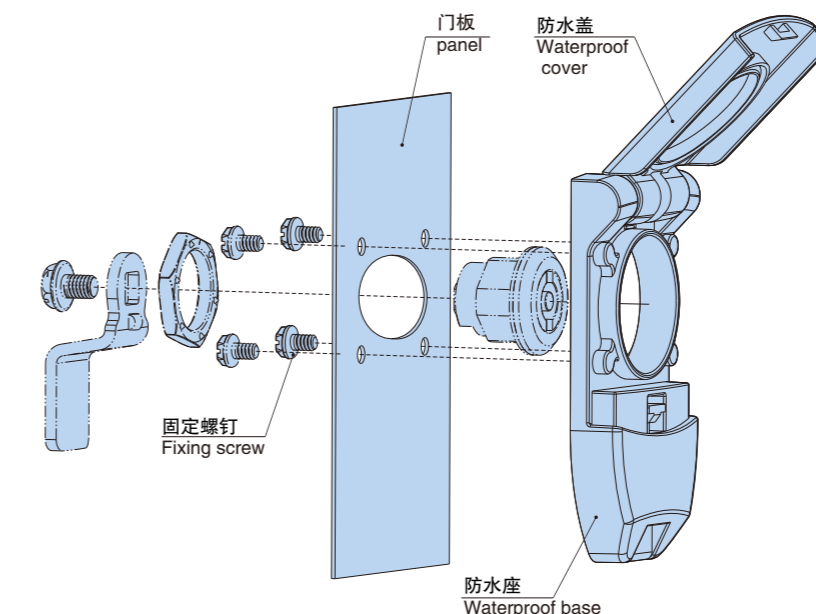
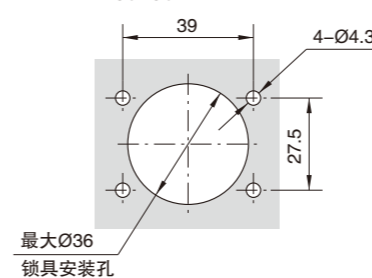
- 材质: 锌合金锁壳, 手柄, 镀锌锁片
- 表面处理: 黑色咬花面
- 适用门板厚度: 1~2mm
- Material: Zinc die-casting housing handle, Zinc plating cam
- Finish :Matt black
- Panel thickness:1~2mm

型号 Product no.	产品单重(g) Weight	装箱数 Lot
MS902	316	50

Dust cover 防尘盖



■ 开孔尺寸
Cut Out



型号 Product no.	产品单重(g) Weight	装箱数 Lot
MS9007Z-3	238	100

MS9007Z-3



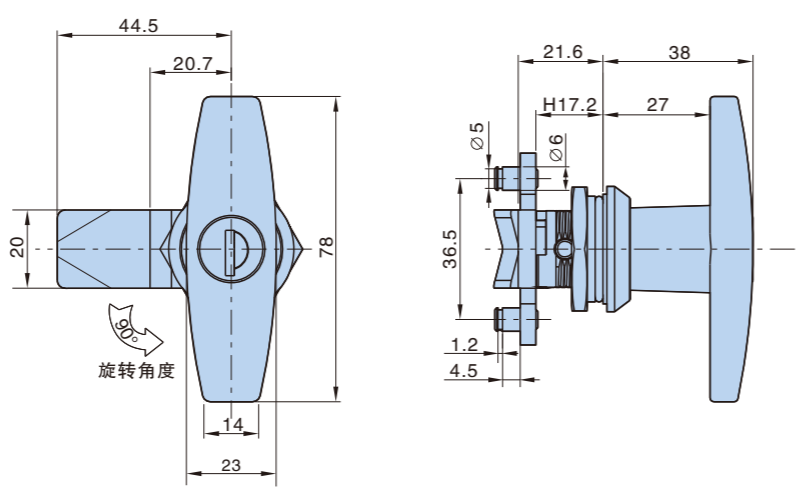
防尘盖



- 材质: 锌合金锁体
- 表面处理: 镀沙铬
- Material: Zinc die-casting body
- Finish: Gray chrome plating

MS101-1-1

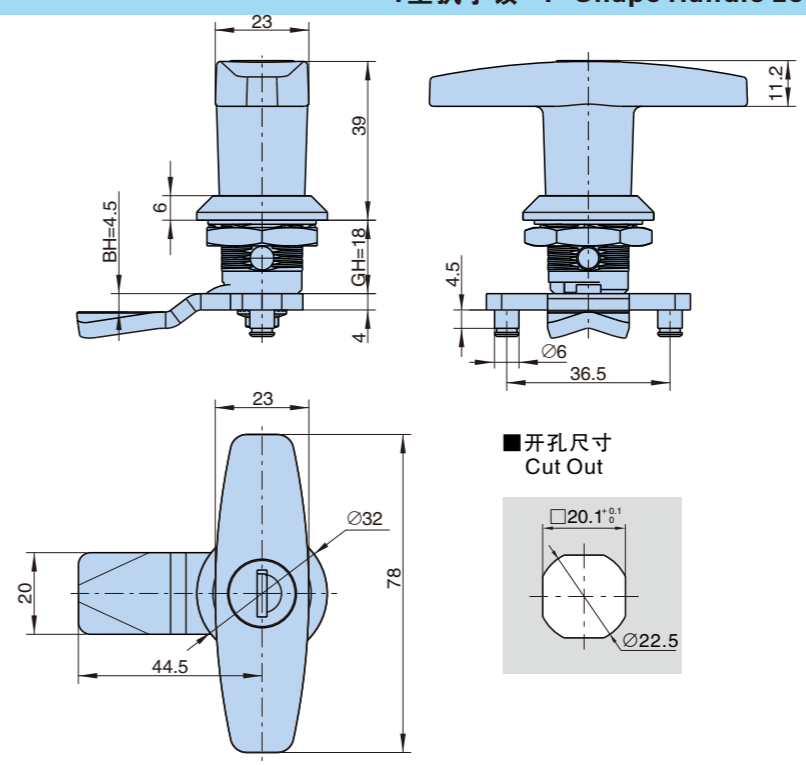
T型执手锁 T-Shape Handle Lock



- 材质: 锌合金锁体、镀锌锁片
- 表面处理: 喷无光黑, 镀亮铬
- 适用门板厚度: 1~5mm
- 备注: 锁片开孔 8x8 带定位点
- Material: Zinc die-casting body, Zinc plating cam
- Finish: Black powder coated, Bright chrome plating
- Panel thickness: 1~5mm
- Remark: cam cutout 8x8

型号 Product no.	产品单重(g) Weight	装箱数 Lot
MS101-1-1(有锁芯 With key)	200	100
MS101-1A-2(无锁芯 w/o key)		100

T型执手锁 T-Shape Handle Lock



型号 Product no.	产品单重(g) Weight	装箱数 Lot
MS314-2S-1(有锁芯 With key)	290.5	100
MS314-2S-2(无锁芯 w/o key)		100

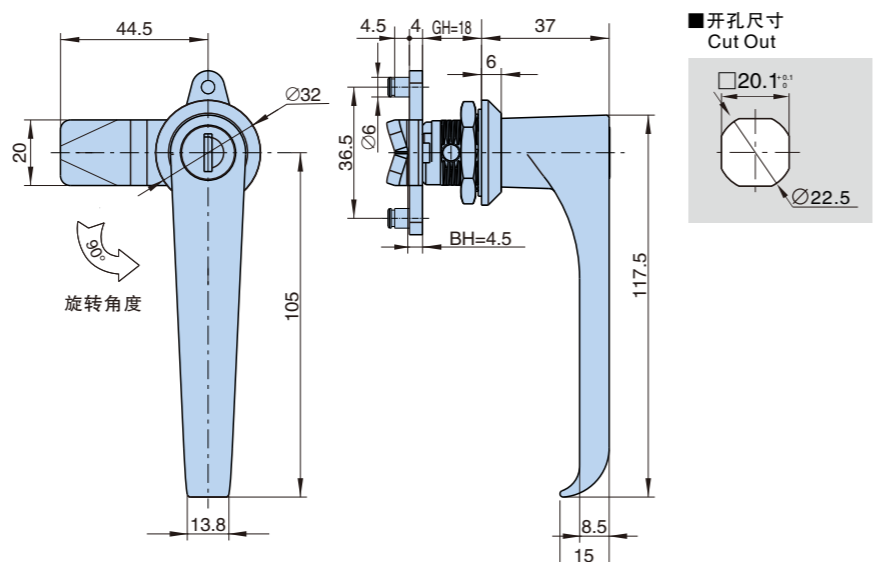
MS314



- 材质: 全不锈钢
- 表面处理: 镜面抛光或拉丝
- 适用门板厚度: 1~5mm
- 备注: 锁片开孔 8x8
- Material: Stainless steel
- Finish: Mirror polished or brushed
- Panel thickness: 1~5mm
- Remark: Cam Cutout 8x8

MS314

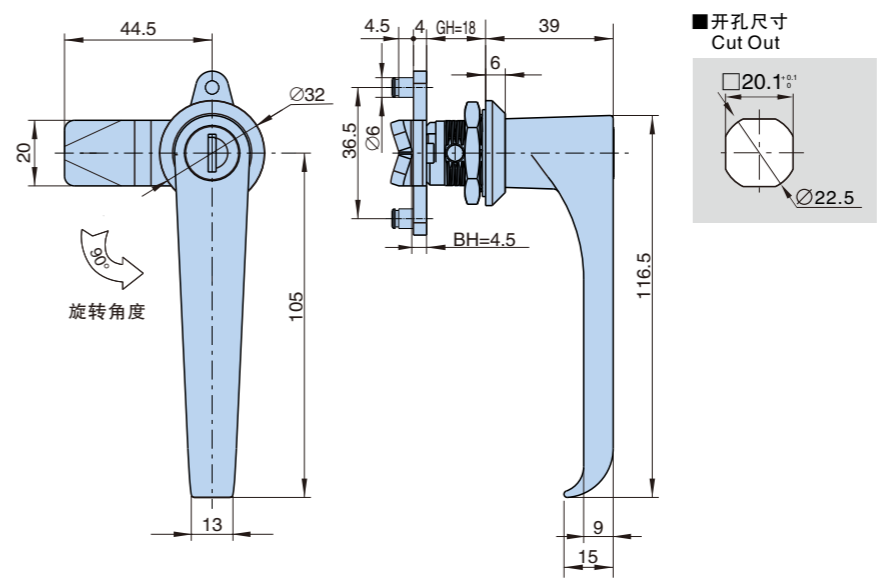
L型执手锁 L-Shape Handle Lock



- 材质: 锌合金锁体、镀锌锁片
- 表面处理: 镀亮铬, 喷无光黑
- 适用门板厚度: 1~5mm
- 备注: 锁片带定位点
- Material: Zinc die-casting body, Zinc plating cam
- Finish: Bright chrome plating, Black powder coated
- Panel thickness: 1~5mm

型号 Product no.	产品单重(g) Weight	装箱数 Lot
MS314-1-1	262	100

L型执手锁 L-Shape Handle Lock



型号 Product no.	产品单重(g) Weight	装箱数 Lot
MS314-1S-1(带锁芯)	338.5	100
MS314-1S-2(无锁芯)		100

MS314

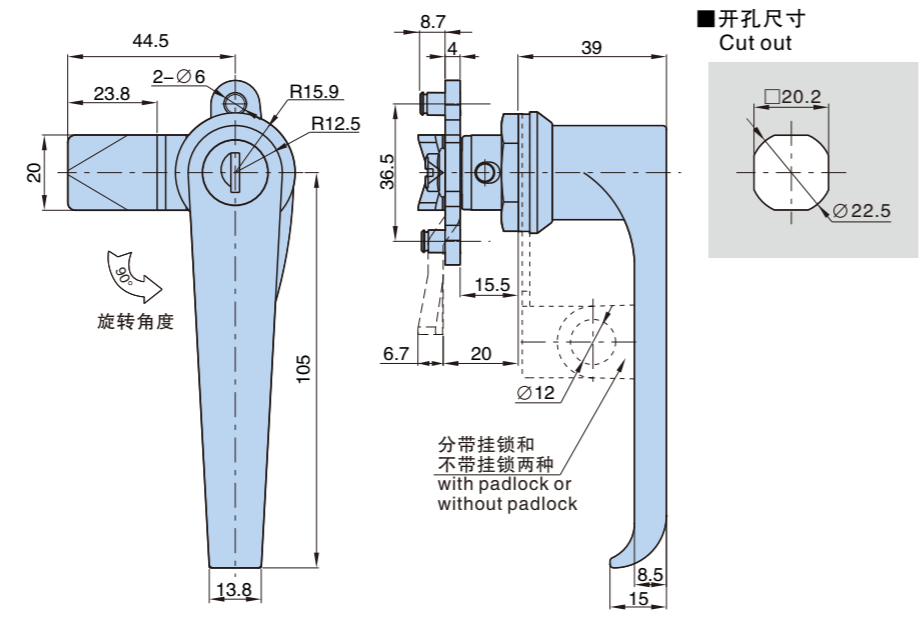


- 材质: 全不锈钢
- 表面处理: 镜面抛光或拉丝
- 适用门板厚度: 1~5mm
- 备注: 锁片开孔 8x8
- Material: Stainless steel
- Finish: Mirror polished or brushed
- Panel thickness: 1~5mm
- Remark: Cam Cutout 8x8

MS314-1S-1 MS314-1S-2

MS314

L型执手锁 L-Shape Handle Lock

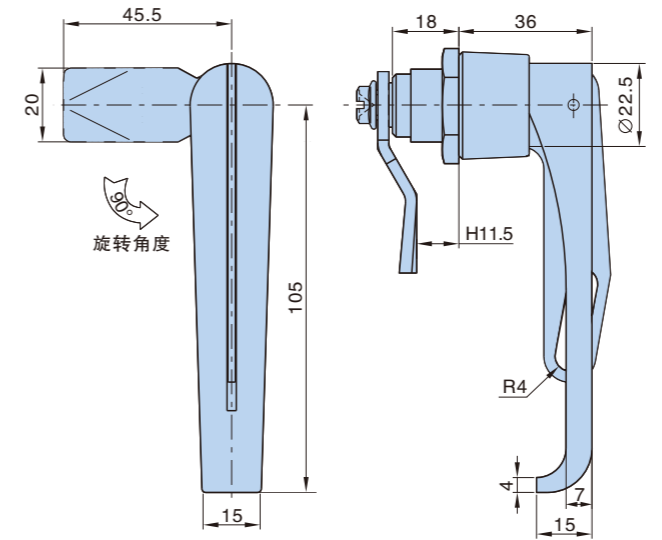


MS314-1AG-1L

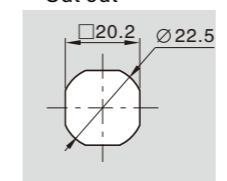
- 材质：锌合金锁体、镀锌锁片
- 表面处理：镀亮铬, 喷无光黑
- 适用门板厚度：1~5mm
- 备注：锁片带定位点
- Material: Zinc die-casting body, Zinc plating cam
- Finish : Bright chrome plating, Black powder coated
- Panel thickness: 1~5mm

产品型号及特性 Product Number		产品单重(g) Weight	装箱数 Lot
有锁芯 With key	MS314-1AG-1R/L	315	100
无锁芯 w/o key	MS314-1AG-2R/L	305	100

L型执手锁 L-Shape Handle Lock



开孔尺寸 Cut out



型号 Product no.	产品单重(g) Weight	装箱数 Lot
A2057	214.5	100

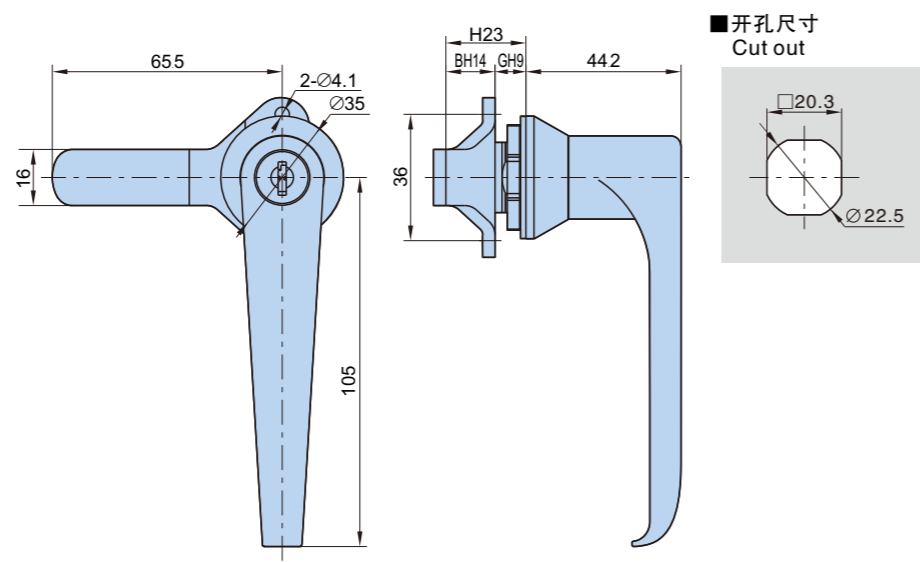
A2057



- 材质：锌合金锁体、镀锌锁片、不锈钢挂锁扣
- 表面处理：喷无光黑
- 适用门板厚度：1~5mm
- 备注：与挂锁配套使用
- Material: Zinc die-casting body, Zinc plating cam, fixing parts stainless steel padlock hook
- Finish : Black powder coated
- Panel thickness: 1~5mm

MS316-1-1

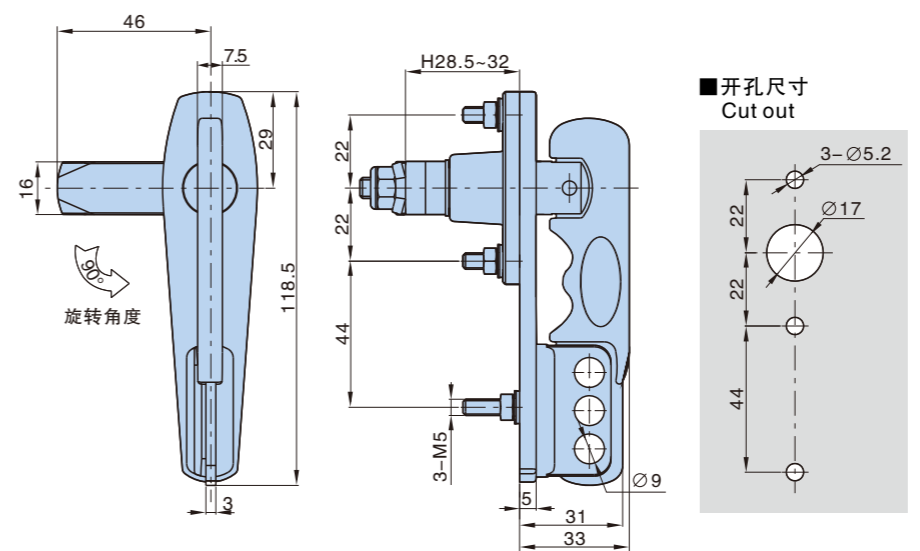
L型执手锁 L-Shape Handle Lock



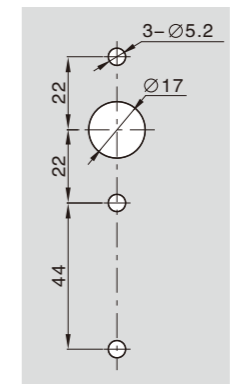
- 材质：锌合金锁体、镀锌锁片
- 表面处理：镀亮铬
- 适用门板厚度：1~5mm
- 备注：锁片开孔 8x8
- Material: Zinc die-casting body, Zinc plating cam
- Finish : Bright chrome plating
- Panel thickness: 1~5mm
- Remark: cam cutout 8x8

型号 Product no.	产品单重(g) Weight	装箱数 Lot
MS316-1-1	225	100

L型执手锁 L-Shape Handle Lock



开孔尺寸 Cut out



型号 Product no.	产品单重(g) Weight	装箱数 Lot
MS315-1-1	261	50

MS315-1-1



- 材质：锌合金锁体、镀锌钢锁片
- 表面处理：无光黑
- 适用门板厚度：1~5mm
- 备注：与挂锁配套使用
- Material: Zinc die-casting body,
- Finish : Black powder coated
- Panel thickness: 1~5mm
- Remark: with padlock available

A拉手系列 Handles series

B平面锁系列 Plane lock series

C连杆锁系列 Rod control series

D面板锁系列 Plane lock series

E执手锁系列 Handle lock series

F转舌锁系列 Cam lock series

G铰链系列 Hinge series

H搭扣锁系列 Toggle lock series

I门销系列 Door bolt series

J电子锁系列 Electronic lock series

K密封条系列 Gasketing series

L限位系列 Door stop series

M附件系列 Accessories series

N不锈钢件系列 Stainless steel series

索引 Index

A拉手系列 Handles series

B平面锁系列 Plane lock series

C连杆锁系列 Rod control series

D面板锁系列 Plane lock series

E执手锁系列 Handle lock series

F转舌锁系列 Cam lock series

G铰链系列 Hinge series

H搭扣锁系列 Toggle lock series

I门销系列 Door bolt series

J电子锁系列 Electronic lock series

K密封条系列 Gasketing series

L限位系列 Door stop series

M附件系列 Accessories series

N不锈钢件系列 Stainless steel series

索引 Index

A19



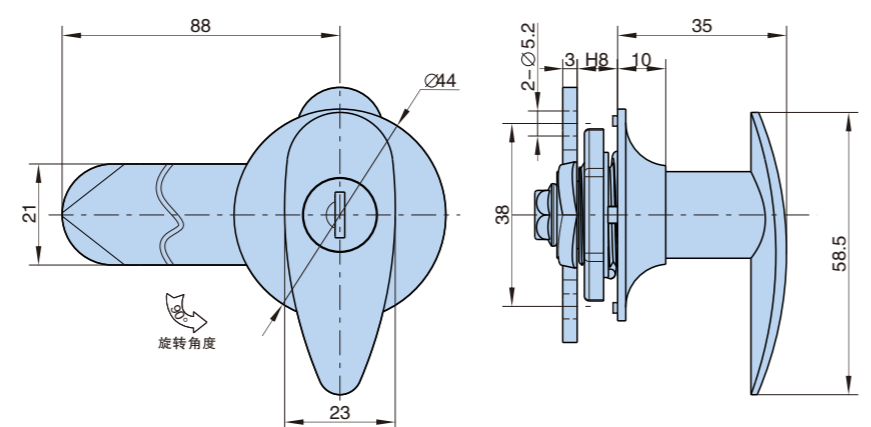
A19-1-1



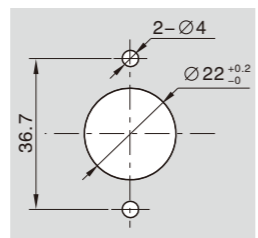
A19-1-2

- 材质: 锌合金锁体、镀锌锁片
- 表面处理: 镀亮铬
- 适用门板厚度: 1~1.5mm
- Material: Zinc die-casting body, Zinc plating cam
- Finish: Bright chrome plating
- Panel thickness: 1~1.5mm

T型执手锁 T-Shape Handle Lock

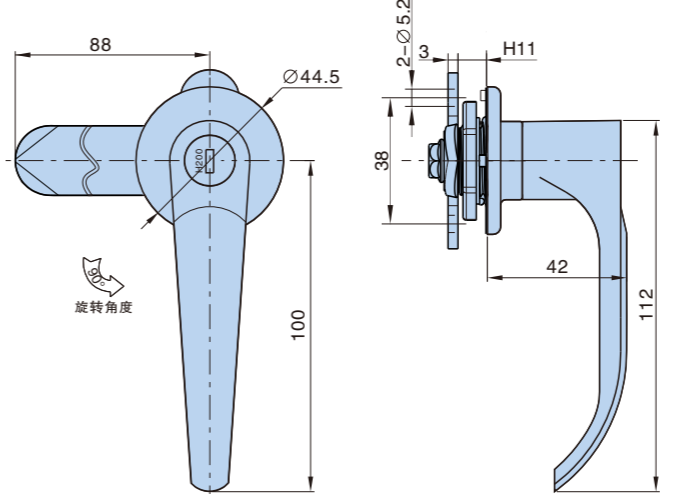


开孔尺寸 Cut out

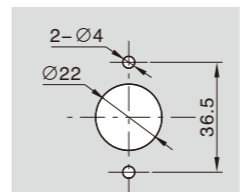


产品型号及特性 Product Number		产品单重(g) Weight	装箱数 Lot
有锁芯 With key	A19-1-1	184	200
无锁芯 w/o key	A19-1-2	195.5	200

L型执手锁 L-Shape Handle Lock



开孔尺寸 Cut out



型号 Product no.	产品单重(g) Weight	装箱数 Lot
A2055	261	100

A2055



- 材质: 锌合金手柄、锁座, 镀锌锁片
- 表面处理: 镀亮铬
- 适用门板厚度: 1~1.5mm
- 备注: 普通为顺时针90° 旋转
- Material: Zinc die-casting body, nut, Zinc plating cam
- Finish: Bright chrome plating
- Panel thickness: 1~1.5mm
- note: General for the clockwise rotation of 90 degrees

A45



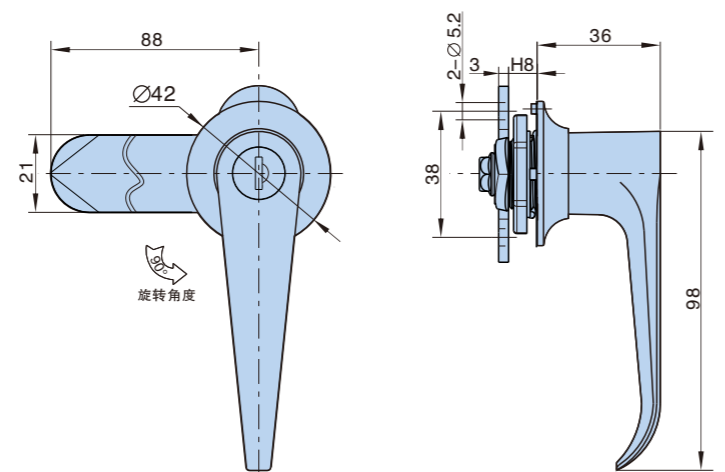
A45-1-1



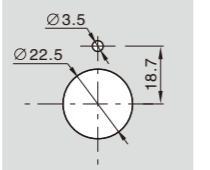
A45-1-2

- 材质: 锌合金锁体、镀锌锁片
- 表面处理: 镀亮铬
- 适用门板厚度: 1~1.5mm
- Material: Zinc die-casting body, Zinc plating cam
- Finish: Bright chrome plating
- Panel thickness: 1~1.5mm

L型执手锁 L-Shape Handle Lock

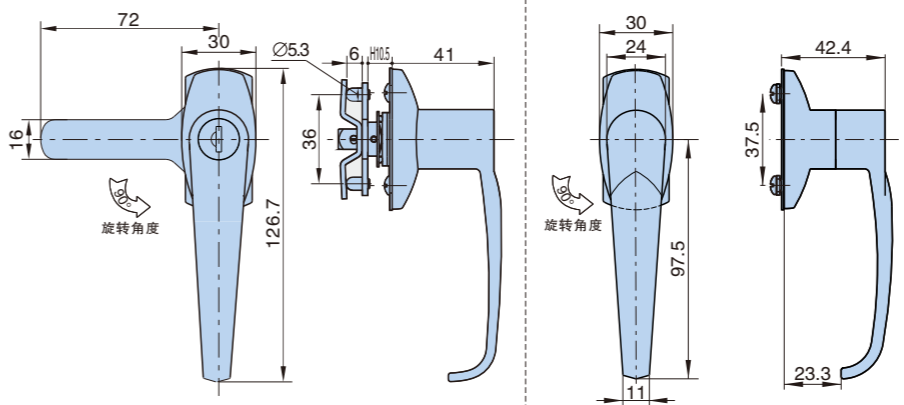


开孔尺寸 Cut out

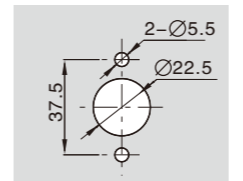


产品型号及特性 Product Number		产品单重(g) Weight	装箱数 Lot
有锁芯 With key	A45-1-1	245	100
无锁芯 w/o key	A45-1-2	251	100

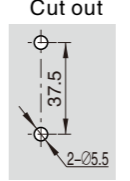
L型执手锁 L-Shape Handle Lock



开孔尺寸 Cut out



开孔尺寸 Cut out



产品型号及特性 Product Number		产品单重(g) Weight	装箱数 Lot
通用锁芯 with key	A2056	273	100
无锁芯 w/o key	A2056-1-2	157	100
子母专用锁芯 master key	A2056-2	265	100
双面牙花锁芯 double key bit	A2056-3	270	100

A2056



A2056-1-2

- 材质: 锌合金锁体、镀锌压板、锁片
- 表面处理: 镀亮铬
- 适用门板厚度: 1~2mm
- Material: Zinc die-casting body Zinc plating cam, fixing parts
- Finish: Bright chrome plating
- Panel thickness: 1~2mm

AB701

L型执手锁 L-Shape Handle Lock

L型执手锁 L-Shape Handle Lock

AB702S



AB701-1-1 AB701-1-2



AB701-2-1 AB701-2-2G

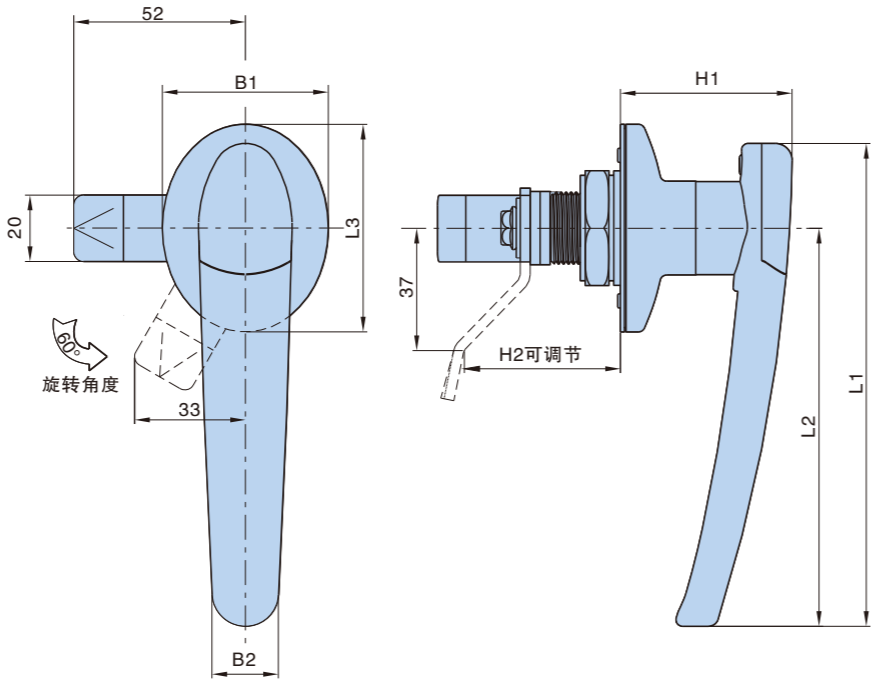


AB701-3-1 AB701-3-2G

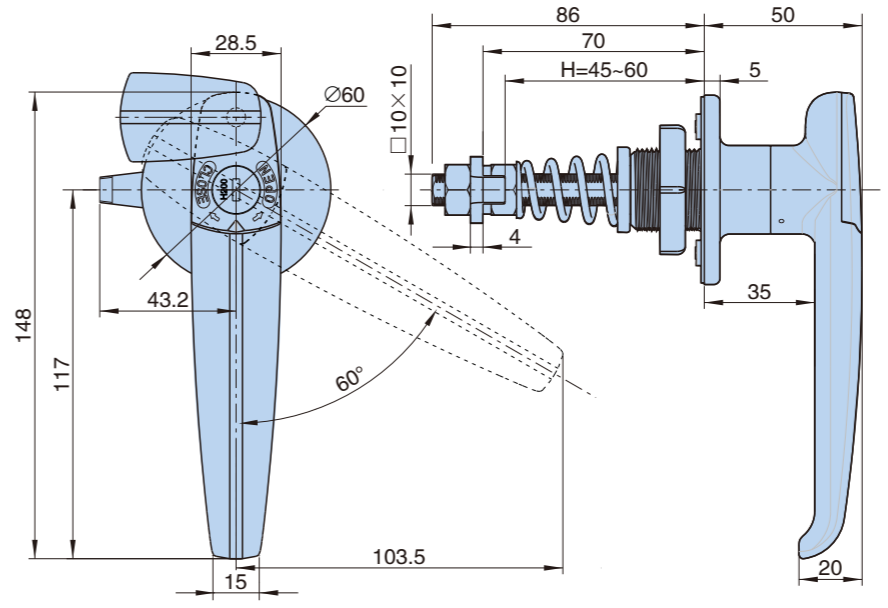
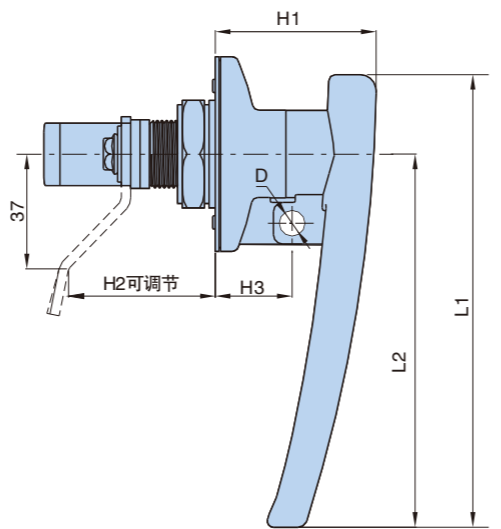
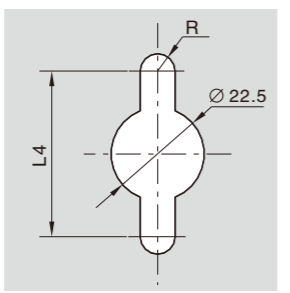


K0200

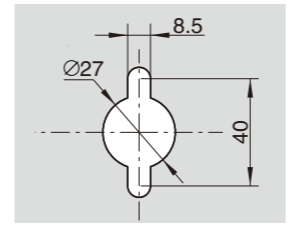
- 材质: 锌合金锁体、螺母, 镀锌锁片
- 表面处理: 镀亮铬
- 适用门板厚度: 1~5mm
- 备注: 锁片开孔:
 - 10×10(AB701-1-1/2)
 - 8×8 (AB701-2-1/2)
 - (AB701-3-1/2)
- Material: Zinc die-casting body, nut Zinc plating cam
- Finish :Bright chrome plating
- Panel thickness:1~5mm
- Remark:pCam cutout:
 - 10×10(AB701-1-1/2)
 - 8×8(AB701-2-1/2)
 - (B701-3-1/2)



■ 开孔尺寸
Cut out

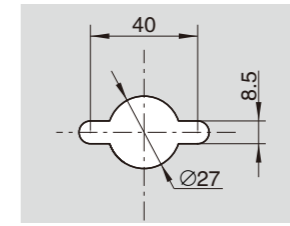


■ 开孔尺寸
Cut Out



(60度左右开门及90度右开门)
(60° left or right open & 90° right open)

■ 开孔尺寸
Cut Out



(90度左开门)
(90° left open)



AB702S-1-1



AB702S-1-1

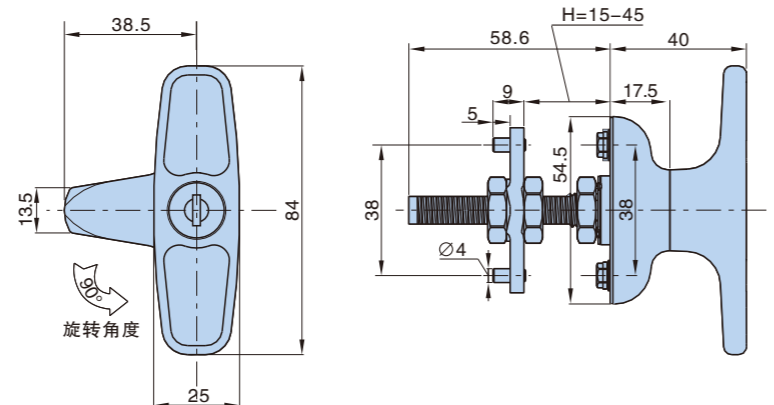
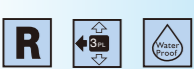
- 材质: 全不锈钢
- 表面处理: 镜面抛光或拉丝
- 结构功能: 止口高度可调范围45~60, 锁座有60度左右通用与90度左右开门两种,
- 适用门板厚度: 1~5mm
- 备注: 锁片开孔□10×10
- Material: Stainless steel
- Finish: Mirror polished or brushed
- Mechanism: Grip range can be adjusted around 45~60mm. Both 60° and 90° open is available.
- Panel thickness: 1~5mm
- Remark: Cam Cutout □10×10

基本尺寸 Dimensions												产品型号及特性 Product Number							
L1	L2	L3	L4	B1	B2	H1	H2	H3	R	D	有锁芯 With key	产品单重 (g) Weight	装箱数 Lot	无芯锁 w/o key	产品单重 (g) Weight	装箱数 Lot	无锁芯带挂 Padlock able w/o key	产品单重 (g) Weight	装箱数 Lot
145.5	120	62.5	40	50	20	52	43.5	25	4.25	8	AB701-1-1	439	50	AB701-1-2	472	50	AB701-1-2G	422.5	50
118	95	49.5	32	40	16	46	36	22	3.6	8	AB701-2-1	256	50	AB701-2-2	273	100	AB701-2-2G	279	100
103.5	85	46.5	32	38	14	42	36	17	3.6	7	AB701-3-1	225	100	AB701-3-2	231	100	AB701-3-2G	236.5	100

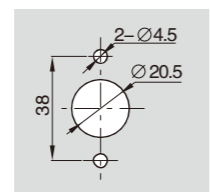
型号 Product no.	转角 Rotation angle	产品单重(g) Weight	装箱数 Lot
AB702S-1-1	(60°)	644.5	40
AB702S-1-2	(90°)	644.5	40

MS107-1-1

T型执手锁 T-Shape Handle Lock



■开孔尺寸
Cut out

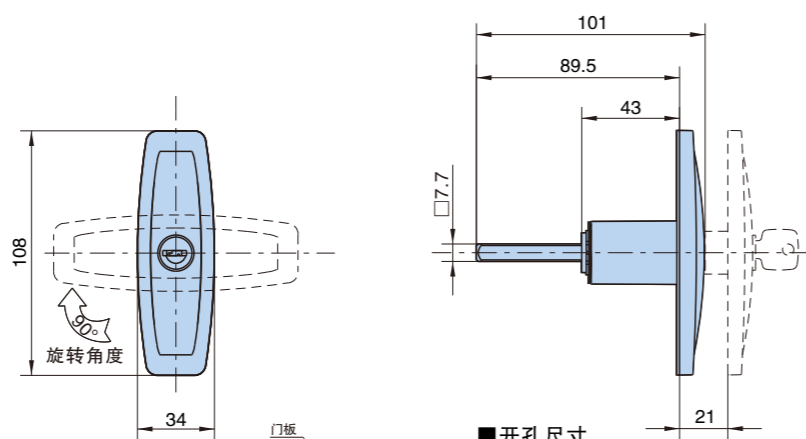


- 材质: 锌合金锁体, 镀锌锁片
- 表面处理: 喷沙纹黑;
- 适用门板厚度: 1~5mm
- Material: Zinc die-casting body zinc plating steel cam
- Finish :Matt black
- Panel thickness:1~5mm

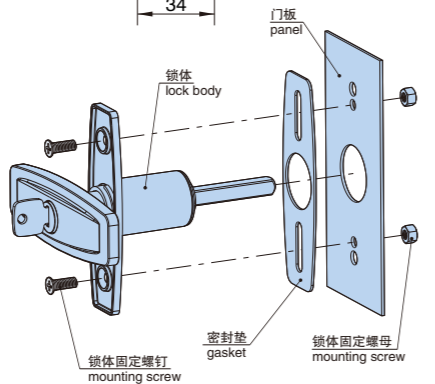
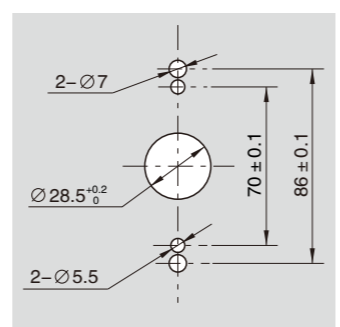
型号 Product no.	产品单重(g) Weight	装箱数 Lot
MS107-1-1	304.5	100

MS111-1-1

T型执手锁 T-Shape Handle Lock



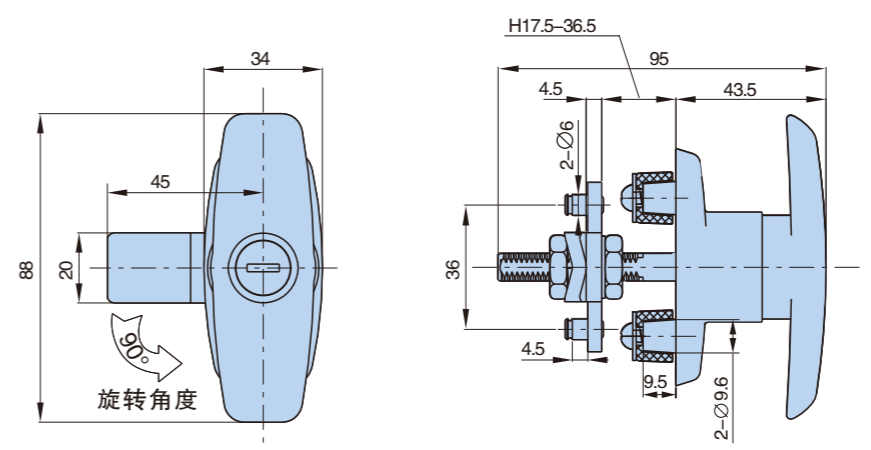
■开孔尺寸
Cut out



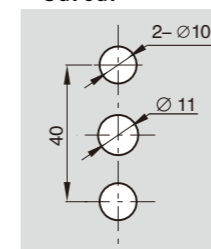
- 材质: 锌合金锁体、镀锌锁片
- 表面处理: 喷无光黑
- 适用门板厚度: 1~5mm
- 备注: 锁片开孔□8x8
- Material: Zinc die-casting body Zinc plating cam
- Finish :Black powder coated
- Panel thickness:1~5mm
- Remark: cam cutout □8x8

型号 Product no.	产品单重(g) Weight	装箱数 Lot
MS111-1-1	286	100

T型执手锁 T-Shape Handle Lock

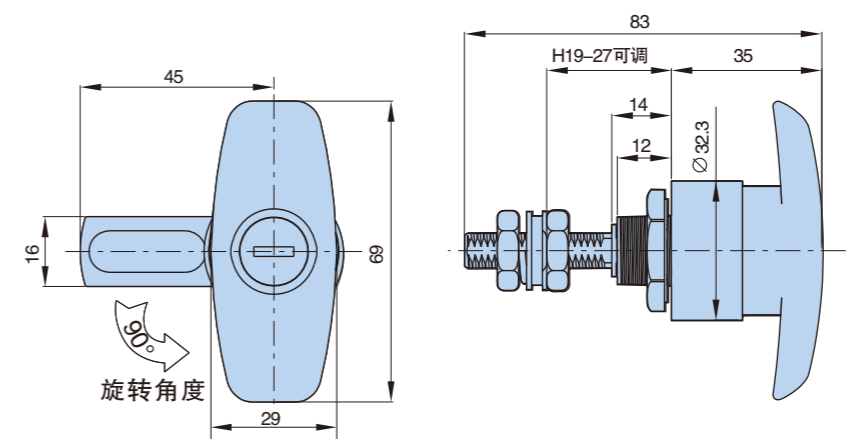


■开孔尺寸
Cut out

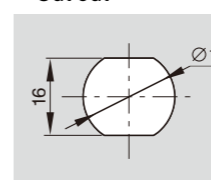


型号 Product no.	产品单重(g) Weight	装箱数 Lot
MS108-1-1	196	100

T型执手锁 T-Shape Handle Lock



■开孔尺寸
Cut out



型号 Product no.	产品单重(g) Weight	装箱数 Lot
MS108-2-1	209	100

MS108-1-1



- 材质: PA锁体, 镀锌锁片
- 表面处理: 黑色沙纹面
- 适用门板厚度: 1~5mm
- Material: PA body, zinc plating steel cam
- Finish :Matt black
- Panel thickness:1~5mm

MS108-2-1



- 材质: PA锁体, 镀锌锁片
- 表面处理: 黑色沙纹面
- 适用门板厚度: 1~5mm
- Material: PA body, zinc plating steel cam
- Finish :Matt black
- Panel thickness:1~5mm

A拉手系列 Handles series

B平面锁系列 Plane lock series

C连杆锁系列 Rod control series

D面板锁系列 Plane lock series

E执手锁系列 Handle lock series

F转舌锁系列 Cam lock series

G铰链系列 Hinge series

H搭扣锁系列 Toggle lock series

I门销系列 Door bolt series

J电子锁系列 Electronic lock series

K密封条系列 Gasketing series

L限位系列 Door stop series

M附件系列 Accessories series

N不锈钢件系列 Stainless steel series

索引 Index

A拉手系列 Handles series

B平面锁系列 Plane lock series

C连杆锁系列 Rod control series

D面板锁系列 Plane lock series

E执手锁系列 Handle lock series

F转舌锁系列 Cam lock series

G铰链系列 Hinge series

H搭扣锁系列 Toggle lock series

I门销系列 Door bolt series

J电子锁系列 Electronic lock series

K密封条系列 Gasketing series

L限位系列 Door stop series

M附件系列 Accessories series

N不锈钢件系列 Stainless steel series

索引 Index

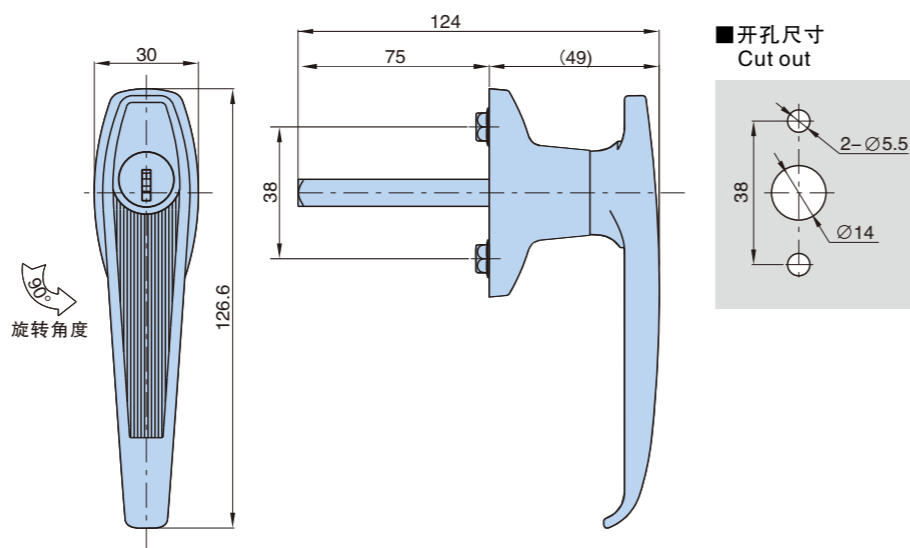
MS109-1-1

L型执手锁 L-Shape Handle Lock

RL

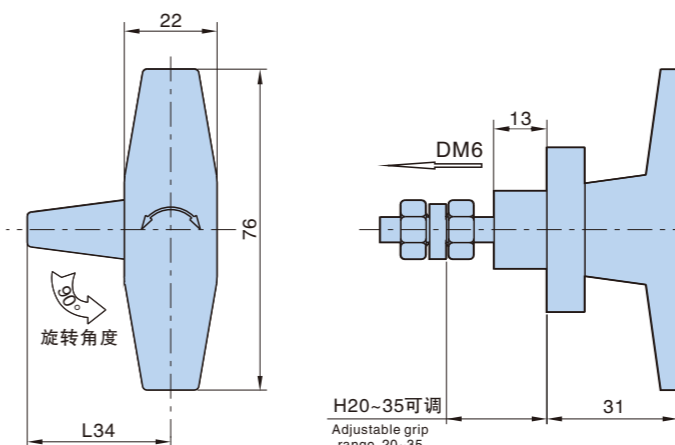


- 材质: 锌合金锁体、镀锌锁片
- 表面处理: 镀亮铬
- 适用门板厚度: 1~5mm
- 备注: 锁片开孔□8x8
- Material: Zinc die-casting body, Zinc plating cam
- Finish: Bright chrome plating
- Panel thickness: 1~5mm
- Remark: cam cutout □8x8

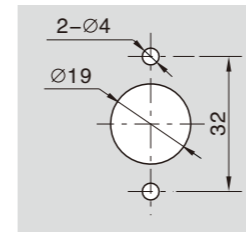


型号 Product no.	产品单重(g) Weight	装箱数 Lot
MS109-1-1	132.5	100

T型执手锁 T-Shape Handle Lock

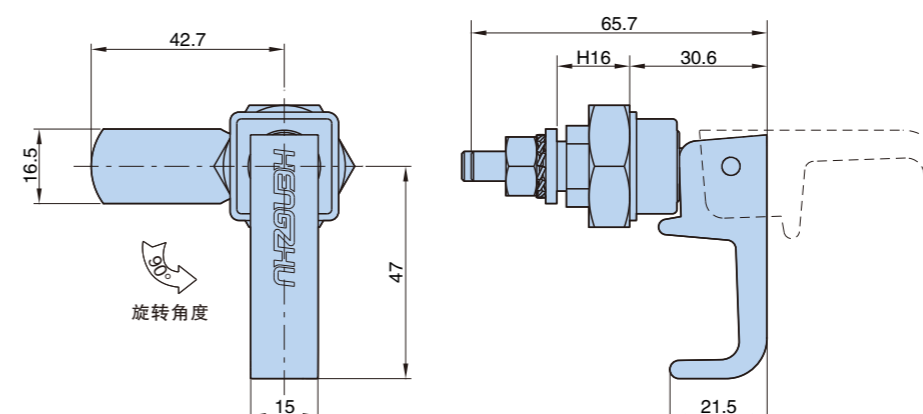


■ 开孔尺寸 Cut out

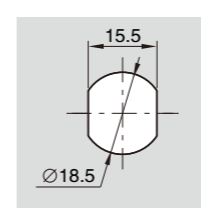


型号 Product no.	产品单重(g) Weight	装箱数 Lot
MS101-1-2	191	100

L型执手锁 L-Shape Handle Lock



■ 开孔尺寸 Cut out



型号 Product no.	产品单重(g) Weight	装箱数 Lot
MS319-1	65.5	200

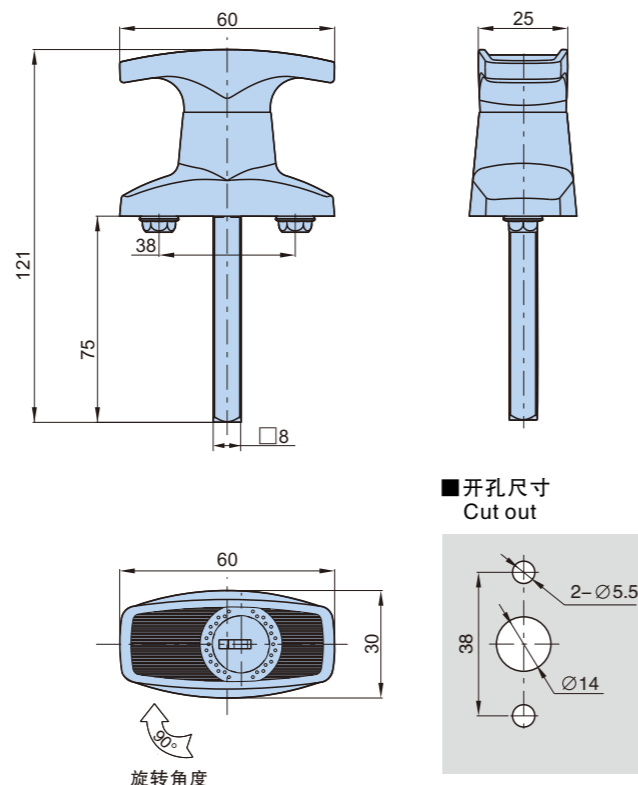
MS110-1-1

T型执手锁 T-Shape Handle Lock

RL



- 材质: 锌合金锁体、镀锌锁片
- 表面处理: 镀亮铬
- 适用门板厚度: 1~5mm
- 备注: 锁片开孔□8x8
- Material: Zinc die-casting body, Zinc plating cam
- Finish: Bright chrome plating
- Panel thickness: 1~5mm
- Remark: cam cutout □8x8



型号 Product no.	产品单重(g) Weight	装箱数 Lot
MS110-1-1	105	200

MS101-1-2

R



- 材质: 锌合金锁体、镀锌锁片
- 表面处理: 喷无光黑, 镀亮铬
- 适用门板厚度: 1~4mm
- 结构功能: 手柄旋转180度, 锁片开启90度
- 备注: 压缩式门锁, 压缩量6mm
- Material: Zinc die-casting body, Zinc plating cam
- Finish: Black powder coated, Bright chrome plating
- Panel thickness: 1~4mm
- Remark: compression lock, 6mm pull-up

MS319-1

RL



- 材质: PA手柄、锁座、六角螺母、镀锌锁片
- 表面处理: 黑色沙纹面
- 适用门板厚度: 1.2~5mm
- material: PA handle, nut and lock body, zinc plating steel cam
- Finish: black
- Remark: Panel thickness 1.2~5mm.

MS301-1

L型执手锁 L-Shape Handle Lock

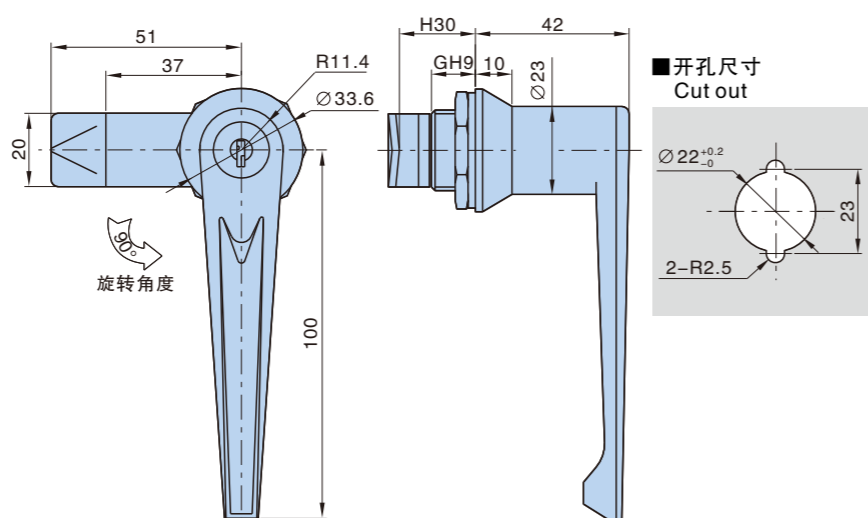
R



MS301-1-1

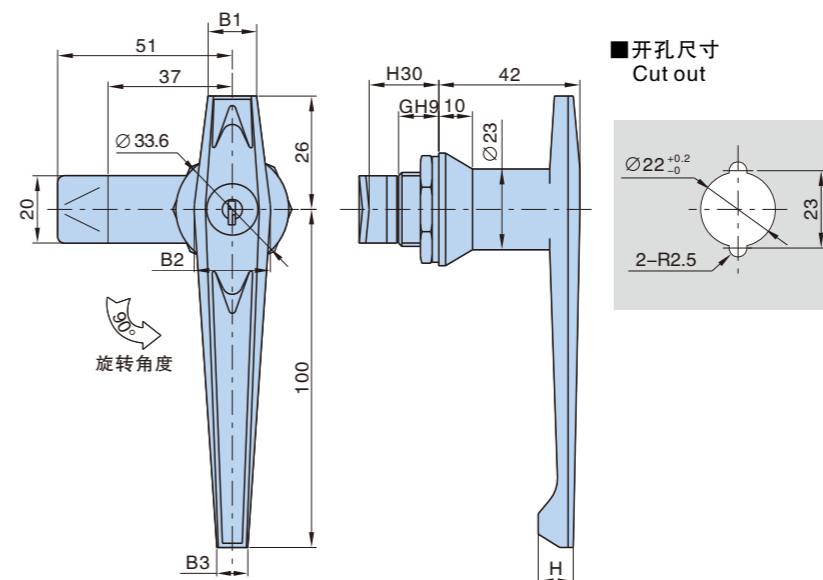
MS301-1-2

- 材质: 锌合金锁体、镀锌锁片
- 表面处理: 镀亮铬
- 适用门板厚度: 1~3mm
- Material: Zinc die-casting body, M.S. Zinc plating cam
- Finish: Bright chrome plating
- Panel thickness: 1~3mm



产品型号及特性 Product Number			
镀亮铬 Bright chrome plating		产品单重(g) Weight	装箱数 Lot
MS301-1-1.1	有锁芯 with key	194.5	100
MS301-1-2.1	按钮型 Push button	192	100

L型执手锁 L-Shape Handle Lock



基本尺寸 Dimensions				产品型号及特性 Product Number					
B1	B2	B3	H	有锁芯 With key	产品 单重(g) Weight	装箱数 Lot	按钮型 Push button	产品 单重(g) Weight	装箱数 Lot
12	23	8.5	10.5	MS304-1-1	258	100	MS304-1-2	268	100
10	20.5	6.5	9	MS304-2-1	232	100	MS304-2-2	242	100

MS304

R



MS304-1-1

MS304-1-2

MS304-2-1

MS304-2-2

- 材质: 锌合金锁体、钢螺母, 镀锌锁片
- 表面处理: 镀亮铬
- 适用门板厚度: 1~3mm
- Material: Zinc die-casting body, nut, Zinc plating cam
- Finish: Bright chrome plating
- Panel thickness: 1~3mm

MS303

L型执手锁 L-Shape Handle Lock

R



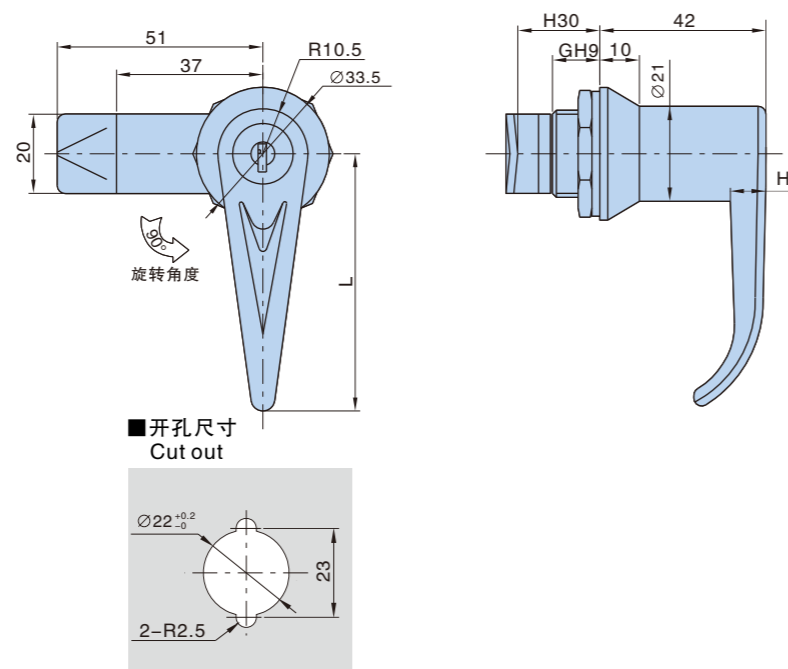
MS303-1-1

MS303-1-2

MS303-2-1

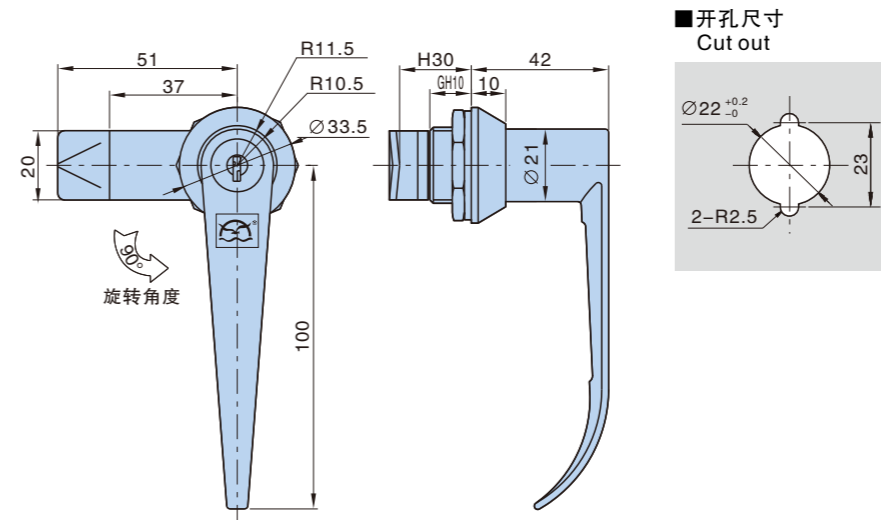
MS303-2-2

- 材质: 锌合金锁体、螺母, 镀锌锁片
- 表面处理: 镀亮铬
- 适用门板厚度: 1~3mm
- Material: Zinc die-casting body, nut, Zinc plating cam
- Finish: Bright chrome plating
- Panel thickness: 1~3mm



基本尺寸 Dimensions		产品型号及特性 Product Number					
L	H	有锁芯 With key	产品单重(g) Weight	装箱数 Lot	按钮型 Push button	产品单重(g) Weight	装箱数 Lot
67	11	MS303-1-1.1	157	100	MS303-1-2.1	156.5	100
65	7	MS303-2-1.1	145	100	MS303-2-2.1	144.5	100

L型执手锁 L-Shape Handle Lock



产品型号及特性 Product Number		产品单重(g) Weight	装箱数 Lot
MS301-2-1.1	有锁芯 with key	157	100
MS301-2-2.1	按钮型 Push button	158	100

MS301-2

R



MS301-2-1

MS301-2-2

- 材质: 锌合金锁体、镀锌锁片
- 表面处理: 镀亮铬
- 适用门板厚度: 1~3mm
- Material: Zinc die-casting body, nut, Zinc plating cam
- Finish: Bright chrome plating
- Panel thickness: 1~3mm

MS305

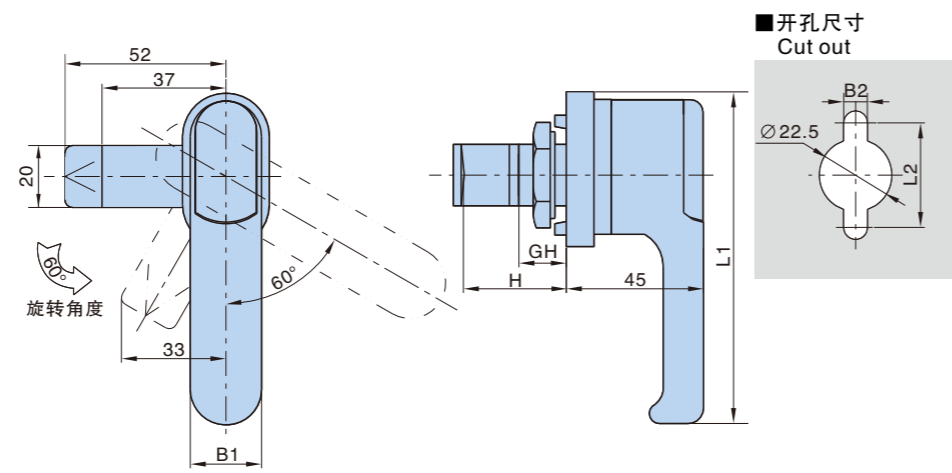
L型执手锁 L-Shape Handle Lock



MS305-1-1

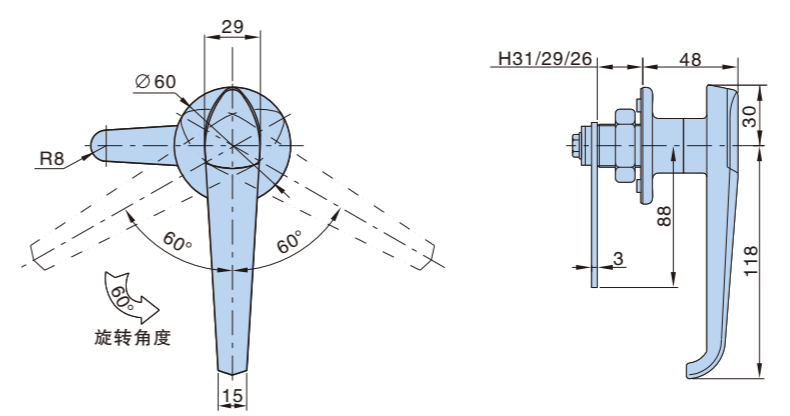
MS305-2-1

- 材质: 锌合金锁体、螺母
- 表面处理: 镀亮铬, 镀沙铬
- 适用门板厚度: 1~5mm
- Material: Zinc die-casting body, nut, Zinc plating cam
- Finish: Bright chrome plating, Gray chrome plating
- Panel thickness: 1~5mm



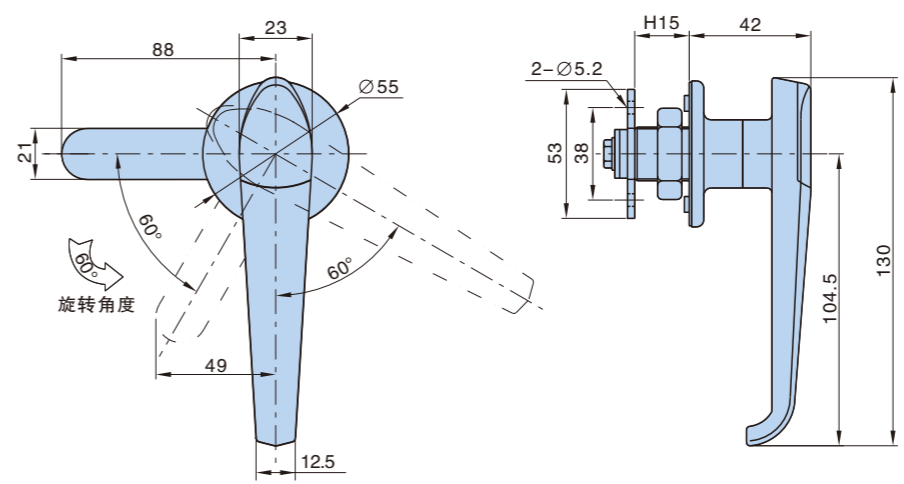
基本尺寸 Dimensions						产品型号及特性 Product Number			
L1	L2	GH	B1	B2	H	镀亮铬 Bright chrome plating	镀沙铬 Gray chrome plating	产品单重(g) Weight	装箱数 Lot
150	40	22	28	8.5	45.5	MS305-1-1.1	MS305-1-1.2	516.6	50
107	31.8	15	23	7.5	37.5	MS305-2-1.1	MS305-2-1.2	376.5	100

L型执手锁 L-Shape Handle Lock



型号 Product no.	转角 Rotation angle	产品单重(g) Weight	装箱数 Lot
MS306-1-1	60°	464.5	50
MS306-1-1L	顺时针(CW)90°	464.5	50
MS306-1-1R	逆时针(ACW)90°	464.5	50

L型执手锁 L-Shape Handle Lock



型号 Product no.	产品单重(g) Weight	装箱数 Lot
MS306-2-1(60°)	250.5	50
MS306-2-1L 顺时针(CW)90°	250.5	50
MS306-2-1R 逆时针(CCW)90°	250.5	50

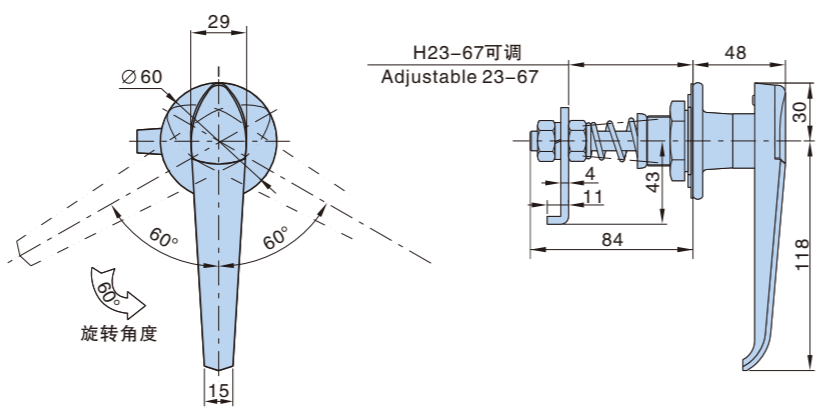
MS306-1A

L型执手锁 L-Shape Handle Lock



MS306-1A-1

- 材质: 锌合金锁体、螺母
- 表面处理: 镀亮铬
- 适用门板厚度: 1~5mm
- Material: Zinc die-casting body, nut, Zinc plating cam
- Finish: Bright chrome plating
- Panel thickness: 1~5mm



型号 Product no.	转角 Rotation angle	产品单重(g) Weight	装箱数 Lot
MS306-1A-1	60°	520	40
MS306-1A-1L	顺时针(CW)90°	520	40
MS306-1A-1R	逆时针(ACW)90°	520	40

MS306-1



K0200

MS306-1-1

- 材质: 锌合金锁体、螺母
- 表面处理: 镀亮铬
- 适用门板厚度: 1~5mm
- Material: Zinc die-casting body, nut, Zinc plating cam
- Finish: Bright chrome plating
- Panel thickness: 1~5mm

MS306-2



K0200

MS306-2-1

- 材质: 锌合金锁体、螺母, 镀锌锁片
- 表面处理: 镀亮铬
- 适用门板厚度: 1~5mm
- Material: Zinc die-casting body, nut, Zinc plating cam
- Finish: Bright chrome plating
- Panel thickness: 1~5mm

MS308-1-1

L型执手锁 L-Shape Handle Lock

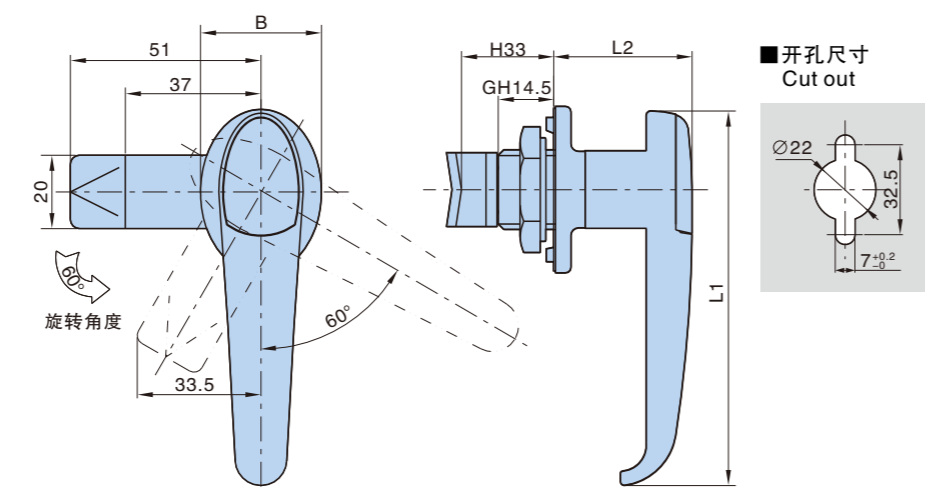


MS308-1-1 MS308-3-1



MS308-2-1

- 材质: 锌合金锁体、螺母, 镀锌锁片
- 表面处理: 镀亮铬
- 适用门板厚度: 1~5mm
- Material: Zinc die-casting body, nut, Zinc plating cam
- Finish: Bright chrome plating
- Panel thickness: 1~5mm



产品型号 Product Number	转角 Rotation angle	L1	L2	B	产品单重(g) Weight	装箱数 Lot
MS308-1-1	60°	117	42	36	252.5	100
MS308-1-1L	顺时针(CW)90°				245.5	100
MS308-1-1R	逆时针(ACW)90°				245.5	100
MS308-2-1	60°	102	38	33	189	100
MS308-2-1L	顺时针(CW)90°				195	100
MS308-2-1R	逆时针(ACW)90°				195	100
MS308-3-1	60°	84	38	33	175	100
MS308-3-1L	顺时针(CW)90°				180	100
MS308-3-1R	逆时针(ACW)90°				180	100

MS310-1-1

L型执手锁 L-Shape Handle Lock

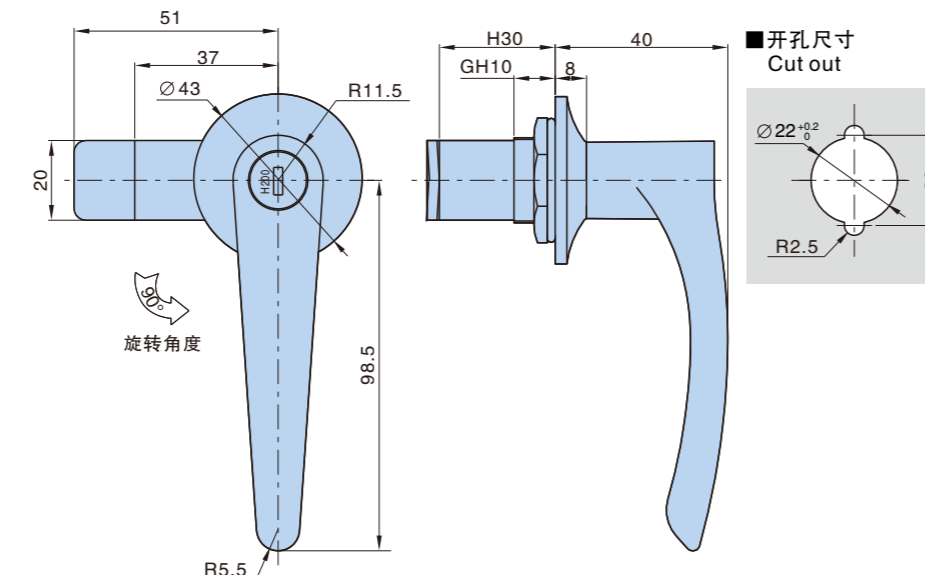


MS310-1-1



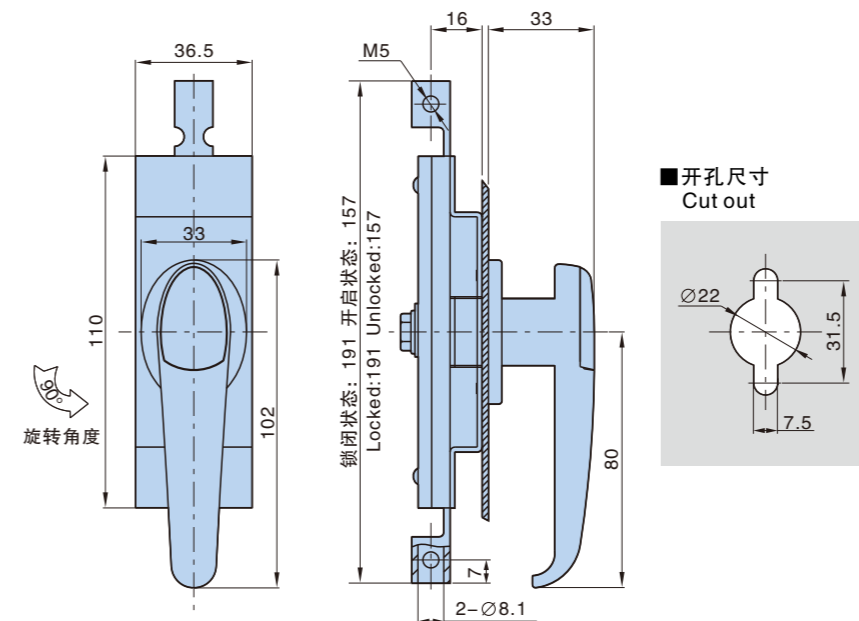
MS310-1-2

- 材质: 锌合金锁体、螺母, 镀锌锁片
- 表面处理: 镀亮铬
- 适用门板厚度: 1~5mm
- Material: Zinc die-casting body, nut, Zinc plating cam
- Finish: Bright chrome plating
- Panel thickness: 1~5mm



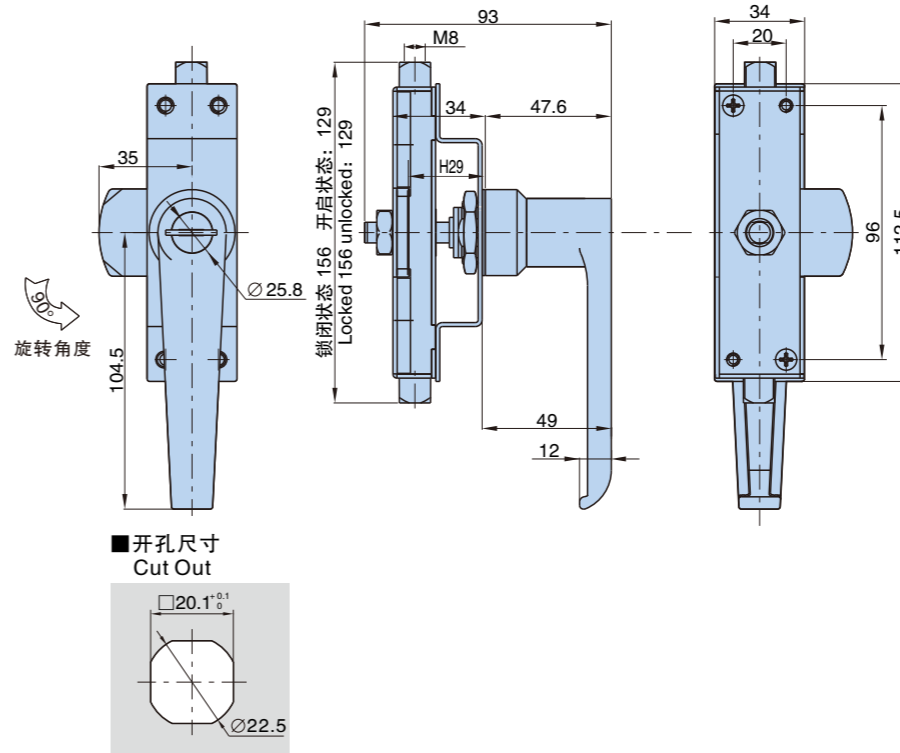
产品型号及特性 Product Number	产品单重(g) Weight	装箱数 Lot
有锁芯 With key	MS310-1-1	198
按钮型 Push button	MS310-1-2	201.5

L型执手锁 L-Shape Handle Lock



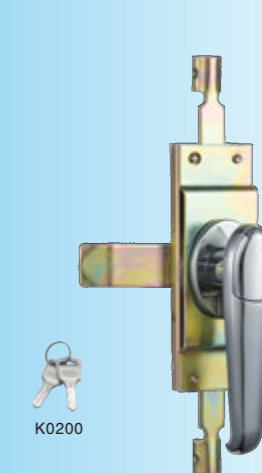
产品型号 Product Number	产品单重(g) Weight	装箱数 Lot
左手锁 Left hand use MS308-2A-1L	374	50
右手锁 Right hand use MS308-2A-1R	373	50

L型执手锁 L-Shape Handle Lock



产品型号及特性 Product Number	产品单重(g) Weight	装箱数 Lot
有锁芯 With key	MS318-1-1	606
无锁芯 w/o key	MS318-1-2	645

MS308-2A-1



K0200

- 材质: 锌合金锁体, 镀锌钢板, 拉杆盒
- 表面处理: 镀亮铬
- 适用门板厚度: 1~2.5mm
- Material: Zinc die-casting body, Zinc plating cam, rod control box
- Finish: Bright chrome plating
- Panel thickness: 1~2.5mm

MS318



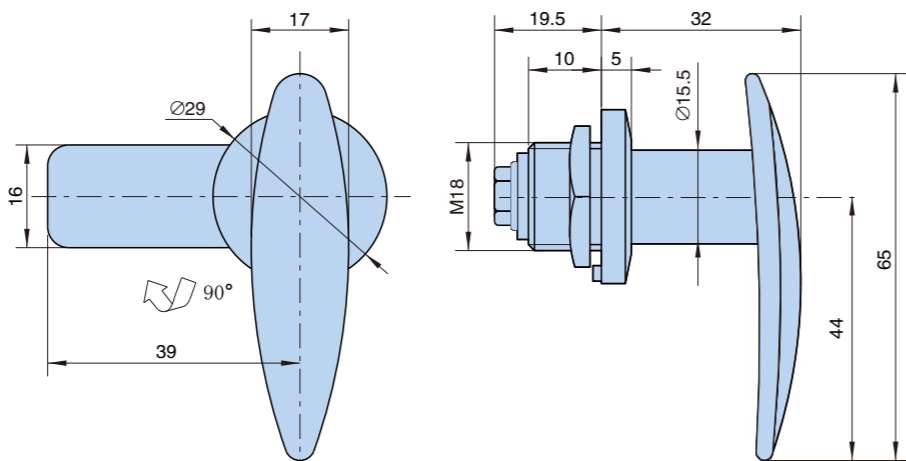
MS318-1-1 MS318-1-2

- 材质: 锌合金手柄、锁座、拉杆套, 镀锌钢拉杆盒、锁片
- 表面处理: 喷沙纹黑
- 适用门板厚度: 1.2~3.5mm
- Material: zinc die-casting handle, zinc plating steel rod box and cam
- Finish: Matt black
- Remark: Panel thickness 1.2~3.5mm

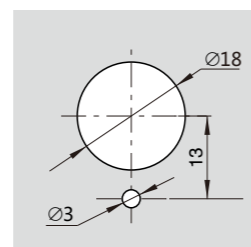
MS309-1

T型执手锁 T-Shape Handle Lock

L



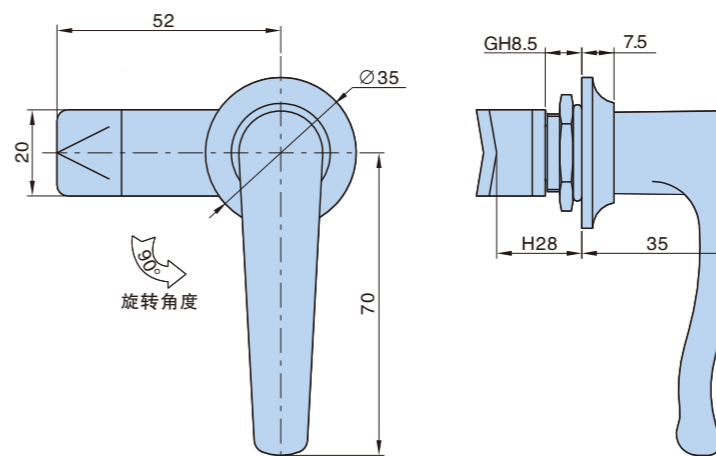
开孔尺寸 Cut out



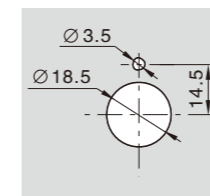
- 材质: 锌合金锁体、螺母, 镀锌锁片
- 表面处理: 镀亮铬
- 适用门板厚度: 1~5mm
- 备注: 锁片开孔 10x10
- Material: Zinc die-casting body, nut, Zinc plating cam
- Finish: Bright chrome plating
- Panel thickness: 1~5mm
- Remark: cam cutout 10x10

型号 Product no.	产品单重(g) Weight	装箱数 Lot
MS309-1	102.2	200

L型执手锁 L-Shape Handle Lock



开孔尺寸 Cut out



型号 Product no.	产品单重(g) Weight	装箱数 Lot
AB803	160	100

AB803

R

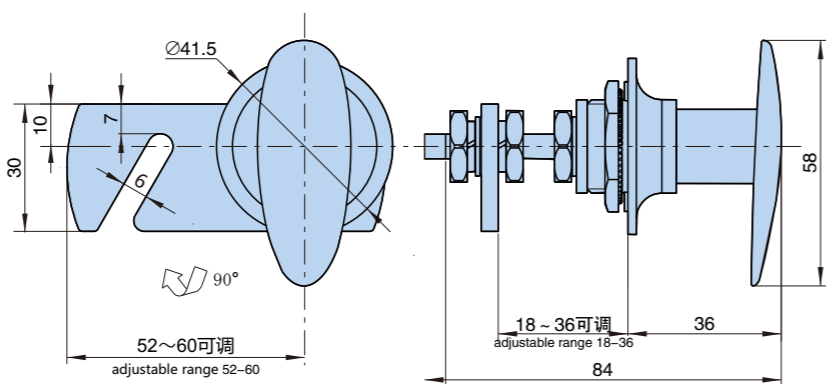


- 材质: 锌合金锁体、镀锌锁片
- 表面处理: 镀亮铬
- 适用门板厚度: 1~2mm
- 备注: 锁片开孔 8x8
- Material: Zinc die-casting body, Zinc plating cam
- Finish: Bright chrome plating
- Panel thickness: 1~2mm
- Remark: cam emark: turn 90°, cam cutout 8x8

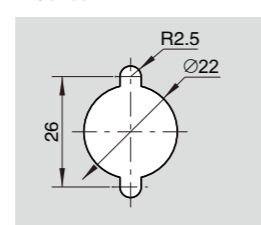
MS309-2

T型执手锁 T-Shape Handle Lock

R



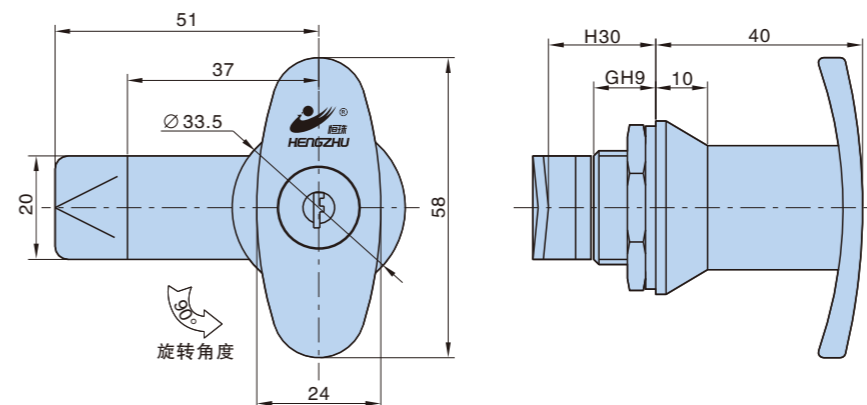
开孔尺寸 Cut out



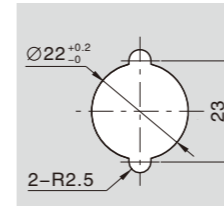
- 材质: 锌合金锁体、螺母, 镀锌锁片
- 表面处理: 镀亮铬
- 适用门板厚度: 1~5mm
- 备注: 锁片开孔 8x8
- Material: Zinc die-casting body, nut, Zinc plating cam
- Finish: Bright chrome plating
- Panel thickness: 1~5mm
- Remark: cam cutout 8x8

型号 Product no.	产品单重(g) Weight	装箱数 Lot
MS309-2	214	100

T型执手锁 T-Shape Handle Lock



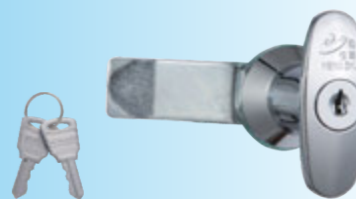
开孔尺寸 Cut out



产品型号及特性 Product Number	产品单重(g) Weight	装箱数 Lot	
有锁芯 With key	MS302-1-1.1	172.5	100
按钮型 Push button	MS302-1-2.1	170	100

MS302-1-1

R



MS302-1-1

MS302-1-2

- 材质: 锌合金锁体、螺母, 镀锌锁片
- 表面处理: 镀亮铬
- 适用门板厚度: 1~3mm
- Material: Zinc die-casting body, nut, Zinc plating cam
- Finish: Bright chrome plating
- Panel thickness: 1~3mm

A99

安全锁芯转舌锁 Secure Cylinder Cam Lock

RL

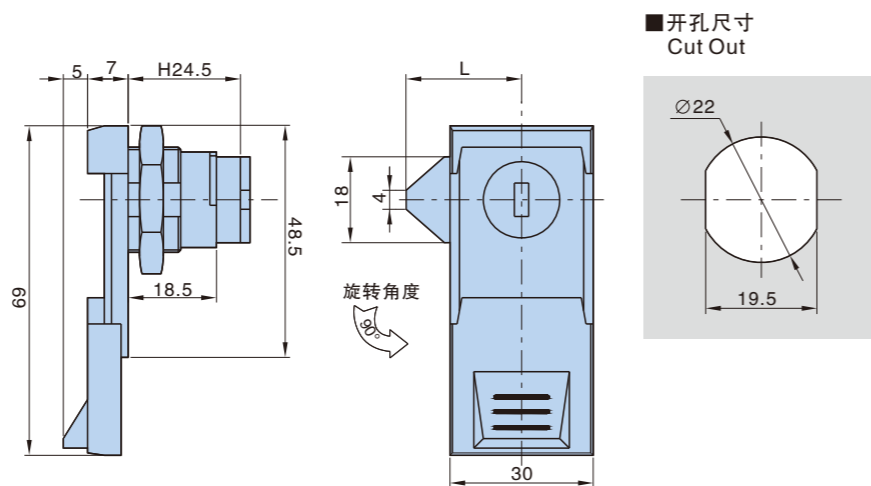


A99-1 A99-2



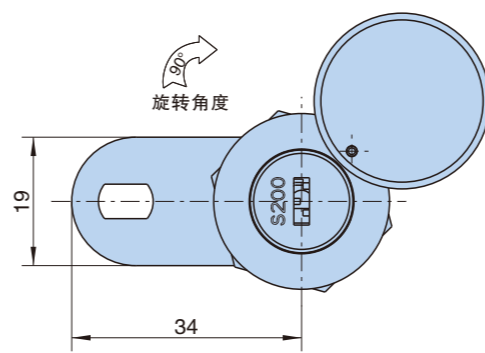
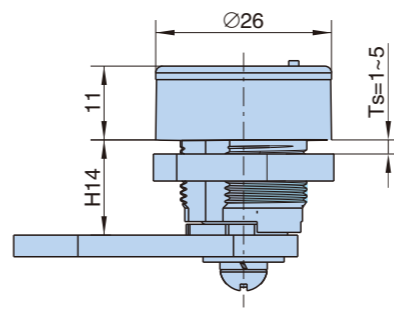
A99-3 K7010-05

- 材质: 锌合金锁体, 螺母, 镀锌锁片
- 表面处理: 镀沙铬
- 适用门板厚度: 1~5mm
- Material: Zinc die-casting body, Nut, Zinc plating cam
- Finish: Gray chrome plating
- Panel thickness: 1~5mm

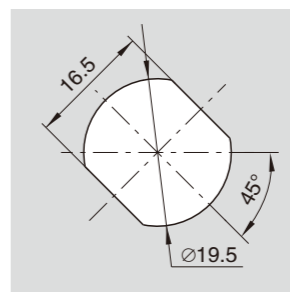


产品型号及特性 Product Number		基本尺寸L Dimensions	产品单重(g) Weight	装箱数 Lot
K0600锁芯 K0600 key	A99-1	46	108.5	200
十字槽锁芯 Double bit insert	A99-2	46	109.5	200
K0200锁芯 K0200 key	A99-3	24	393.5	200

安全锁芯转舌锁 Secure Cylinder Cam Lock



■ 开孔尺寸 Cut Out



型号 Product no.	产品单重(g) Weight	装箱数 Lot
AB7007Z-1-1	83.8	150

AB7007Z-1-1

RL



- 材质: 锌合金锁壳, 锁芯, 螺母, 碳钢锁片, 不锈钢防尘盖
- 表面处理: 镀亮铬
- 结构功能: 90° 旋转实现开启或锁闭
- 适用门板厚度: 1~5mm
- Material: zinc die-casting lock housing, cylinder and nut, zinc plating cam, stainless steel dustproof cap.
- Finish: bright chrome plating
- Function: 90° open
- Panel thickness: 1~5mm

MS238

安全锁芯转舌锁 Secure Cylinder Cam Lock

RL

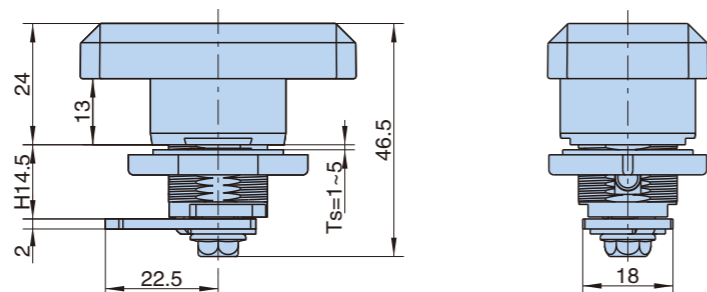


MS238-1-1 MS238-1-2

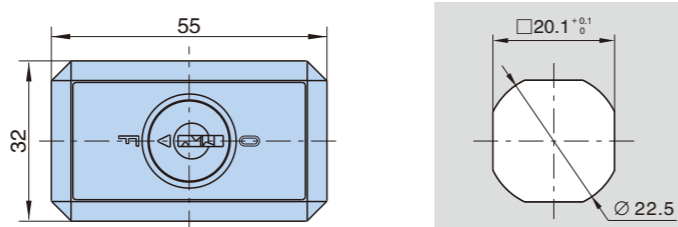


MS238-1A-1

- 材质: 锌合金锁座, 手锁, 锁芯, 碳钢锁舌
- 表面处理: 电泳黑/无光黑
- 适用门板厚度: 1~5mm
- 结构说明: 锁芯旋转180°, 手柄旋转90° 实现开启或锁闭
- Material: Zinc die-casting body, zinc plating steel cam
- Finish: black powder coated
- Panel thickness: 1~5mm

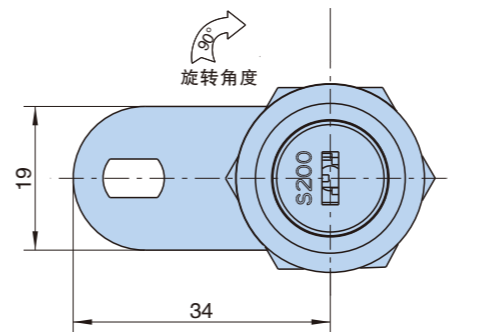
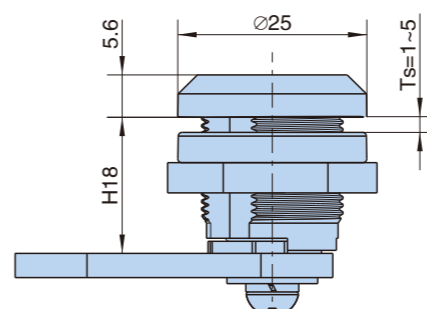


■ 开孔尺寸 Cut Out

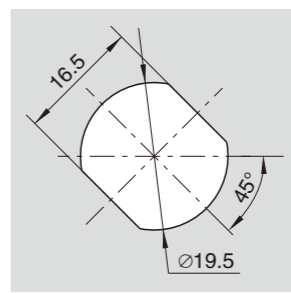


产品型号及特性 Product Number		产品单重(g) Weight	装箱数 Lot
有锁芯 With key	MS238-1-1	126	200
有锁芯 With key	MS238-1A-1	140	200
无锁芯 w/o key	MS238-1-2	113	200

安全锁芯转舌锁 Secure Cylinder Cam Lock



■ 开孔尺寸 Cut Out



型号 Product no.	产品单重(g) Weight	装箱数 Lot
AB7006Z-1-1	76.5	150

AB7006Z-1-1

RL



- 材质: 锌合金锁壳, 锁芯, 螺母, 碳钢锁片
- 表面处理: 镀亮铬
- 结构功能: 90° 旋转实现开启或锁闭
- 适用门板厚度: 1~5mm
- Material: zinc die-casting lock body, cylinder and nut, zinc plating steel cam
- Finish: bright chrome plating
- Mechanism: 90° open
- Panel thickness: 1~5mm.

MS401-1

安全锁芯转舌锁 Secure Cylinder Cam Lock

RL



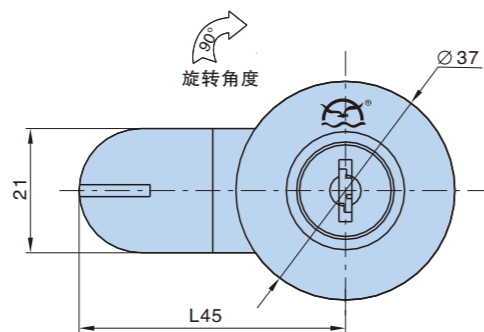
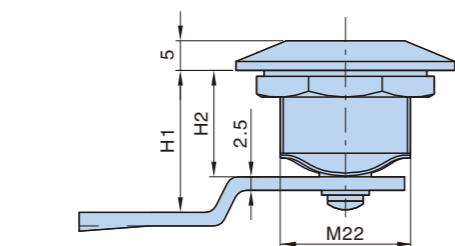
MS401-1



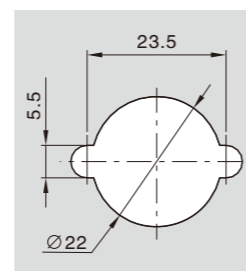
MS401-2



- 材质: 锌合金和塑料两种锁体, 镀锌钢螺母、锁片
- 表面处理: 镀亮铬
- 适用门板厚: 1-6mm
- Material: Zinc die-casting or Plastic body is available, zinc plating steel nut and cam
- Finish: Bright chrome plating,
- Panel thickness: 1-6mm

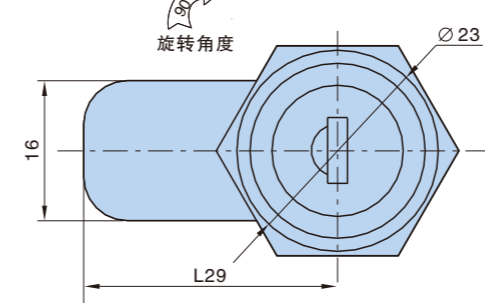
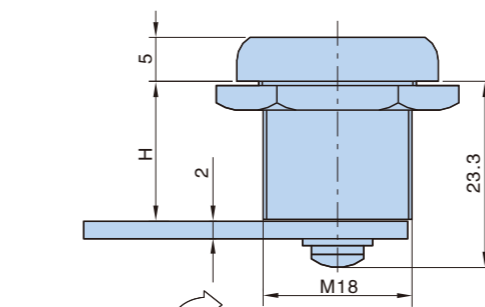


■ 开孔尺寸
Cut Out

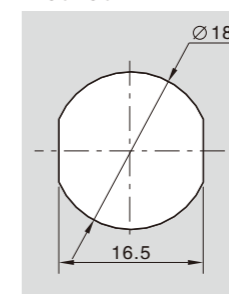


基本尺寸 Dimensions		锁芯 Insert	产品型号及特性 Product Number		
H1	H2		锌合金锁壳 zinc die-casting body	产品单重(g) Weight	装箱数 Lot
20	20	K0400	MS401-1	62.5	200
21	16	K8180	MS401-2	100	200

安全锁芯转舌锁 Secure Cylinder Cam Lock



■ 开孔尺寸
Cut Out



基本尺寸 Dimensions		产品型号及特性 Product Number			
H		包不锈钢表面 Stainless steel cover	K8180(锁芯) K8180 insert	产品单重(g) Weight	装箱数 Lot
20		MS403-1		50	500
16		MS403-2	MS403-2GT	43	500

MS403

RL



MS403-1



MS403-2



MS403-2GT

- 材质: 锌合金锁体、螺母, 包不锈钢面板, 镀锌锁片
- 适用门板厚: 1-10mm
- 备注: K8180铜锁芯型号为: MS403-2GT
- Material: Zinc die-casting body, Nut, stainless steel face cover
- Zinc plating cam
- Panel thickness: 1-10mm
- Remark: The item No of K8180 brass cylinder is MS403-2GT

MS402

安全锁芯转舌锁 Secure Cylinder Cam Lock

RL



MS402-1

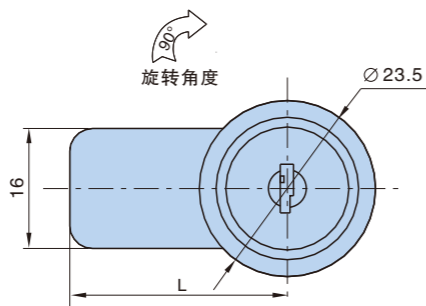
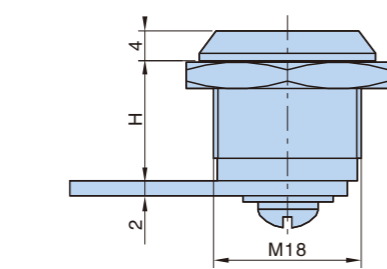


MS402-2

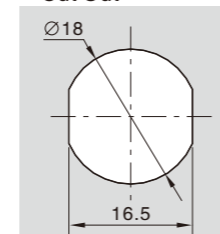


MS402-3

- 材质: 锌合金锁体、螺母, 镀锌锁片
- 表面处理: 镀亮铬, 镀沙铬
- 适用门板厚: 1-10mm
- Material: Zinc die-casting body, Nut, Zinc plating cam
- Finish: Bright chrome plating, Gray chrome plating
- Panel thickness: 1-10mm

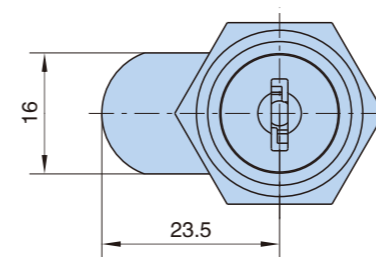
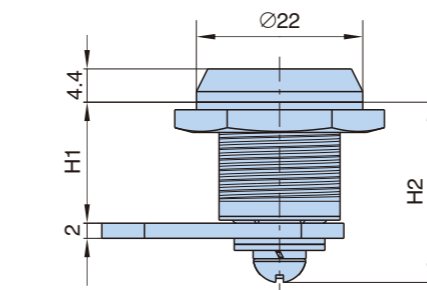


■ 开孔尺寸
Cut Out

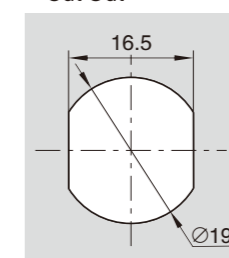


基本尺寸 Dimensions			产品型号及特性 Product Number		
L	H	Ø	K0700锁芯 K0700 insert	产品单重(g) Weight	装箱数 Lot
39	30	23.5	MS402-1	64	300
29	20	22.5	MS402-2	45	500
29	16	22.5	MS402-3	46.5	400

安全锁芯转舌锁 Secure Cylinder Cam Lock



■ 开孔尺寸
Cut Out



基本尺寸 Dimensions		产品型号 Product No		产品单重(g) Weight	装箱数 Lot
H1	16	H2	24	MS7066Z-1-1	47.5
	25		33	MS7067Z-1-1	43.5

MS7066

RL



MS7066Z-1-1



MS7067Z-1-1

- 材质: 锌合金锁体, 锁芯, 碳钢锁片
- 表面处理: 镀亮铬
- 适用门板厚度: 1-4mm
- Material: Zinc die-casting body and insert steel cam
- Finish: Bright chrome plating
- Panel thickness: 1-4mm

MS407-1

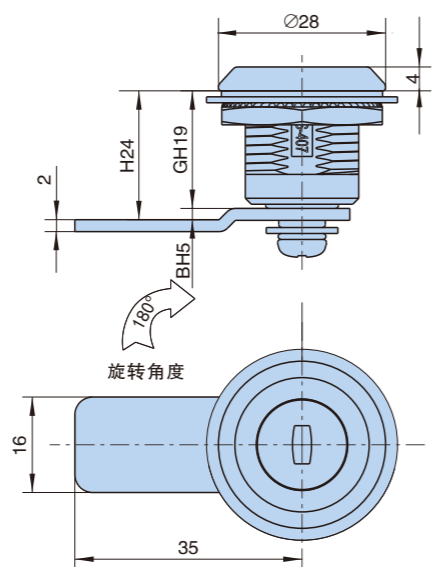
安全锁芯转舌锁 Secure Cylinder Cam Lock

RL

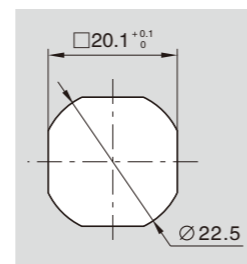


K0600

- 材质: 锌合金锁体、螺母, 镀锌钢垫圈、锁片
- 表面处理: 喷无光黑, 镀铬
- 适用门板厚: 1~8mm
- Material: Zinc die-casting body, Nut, M.S. Zinc plating cam, fixing parts
- Finish: Black powder coated, Bright chrome plating
- Panel thickness: 1~8mm.



■ 开孔尺寸 Cut Out



产品型号及特性 Product Number					
锌合金锁壳 zinc die-casting housing			铝合金锁壳 Aluminium housing		
K0600 key	产品单重(g) Weight	装箱数 Lot	K0200 key	产品单重(g) Weight	装箱数 Lot
MS407-1	74	300	MS407-1C	72	300
MS407-1T(180°)	74	300	MS407-1C(180°)	72	300
			K0600 key	产品单重(g) Weight	装箱数 Lot
			MS407-1A	59	300
			MS407-1CA	56	300

MS407-2

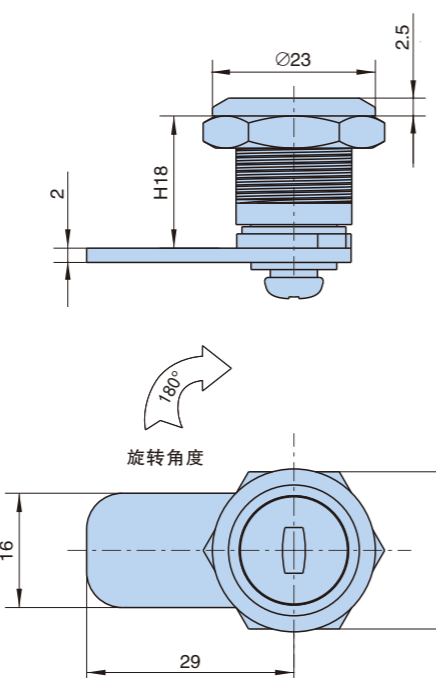
安全锁芯转舌锁 Secure Cylinder Cam Lock

RL

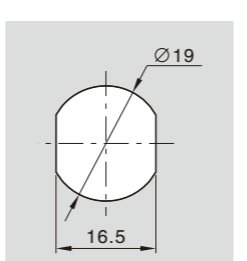


K0600

- 材质: 锌合金锁体、螺母, 镀锌钢垫圈、锁片
- 表面处理: 喷无光黑
- 适用门板厚: 1~8mm
- Material: Zinc die-casting body, Nut, M.S. Zinc plating cam, fixing parts
- Finish: Black powder coated
- Panel thickness: 1~8mm.

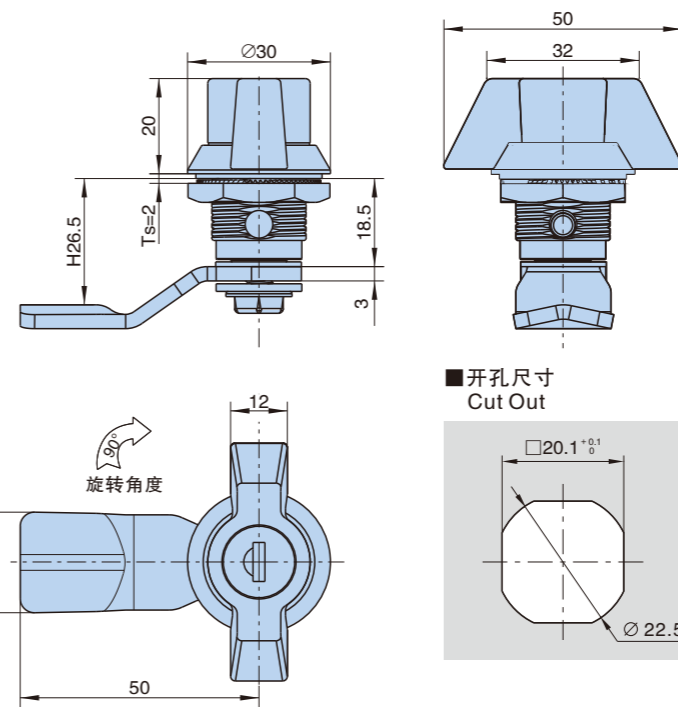


■ 开孔尺寸 Cut Out

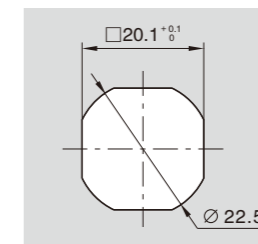


型号 Product no.	产品单重(g) Weight	装箱数 Lot
MS407-2	53	300

安全锁芯转舌锁 Secure Cylinder Cam Lock

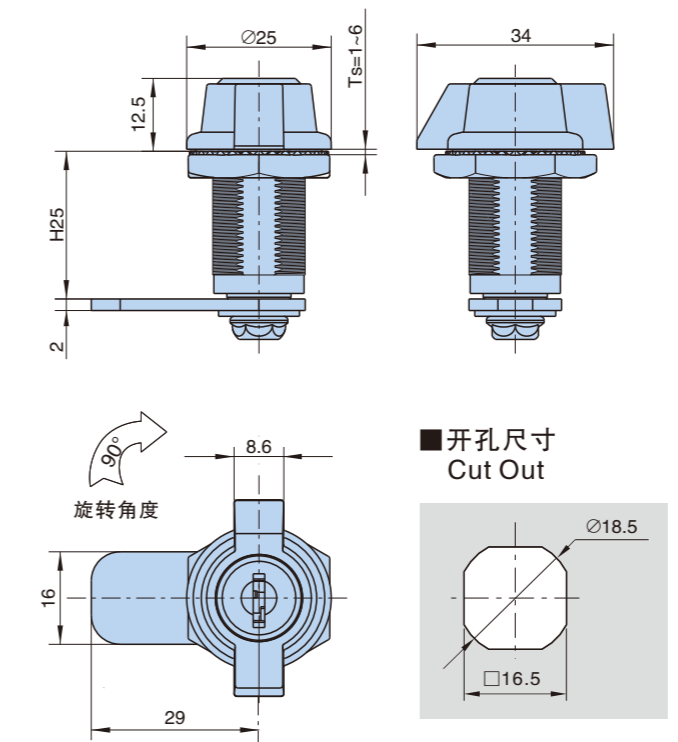


■ 开孔尺寸 Cut Out

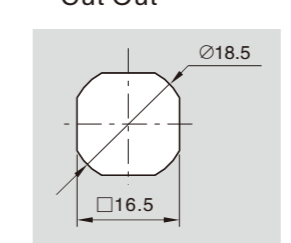


产品型号及特性 Product Number								
有锁芯 with key	产品单重(g) Weight	装箱数 Lot	无锁芯 without key	产品单重(g) Weight	装箱数 Lot	特殊锁片型号(与主型不同) different cam	产品单重(g) Weight	装箱数 Lot
MS408-1-1	153	200	MS408-1-2	150	200	MS408-1-1T	145.5	200

安全锁芯转舌锁 Secure Cylinder Cam Lock



■ 开孔尺寸 Cut Out



型号 Product no.	产品单重(g) Weight	装箱数 Lot
MS408-2-1	77	300

MS408-1-1

RL



K333



- 材质: 锌合金锁体、螺母, 镀锌锁片
- 适用门板厚度: 1~6mm
- 表面处理: 喷无光黑
- Material: Zinc die-casting body, Nut, Zinc plating cam
- Finish: Black powder coated
- Panel thickness: 1~6mm

MS408-2-1

RL



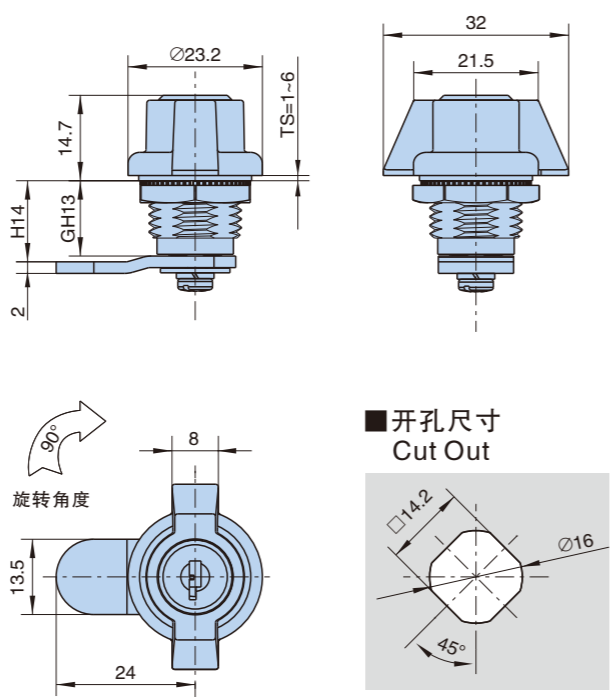
- 材质: 锌合金锁体、螺母, 镀锌锁片
- 适用门板厚度: 1~6mm
- 表面处理: 喷无光黑
- Material: Zinc die-casting body, Nut, Zinc plating cam
- Finish: Black powder coated
- Panel thickness: 1~6mm

MS408-3-1

安全锁芯转舌锁 Secure Cylinder Cam Lock

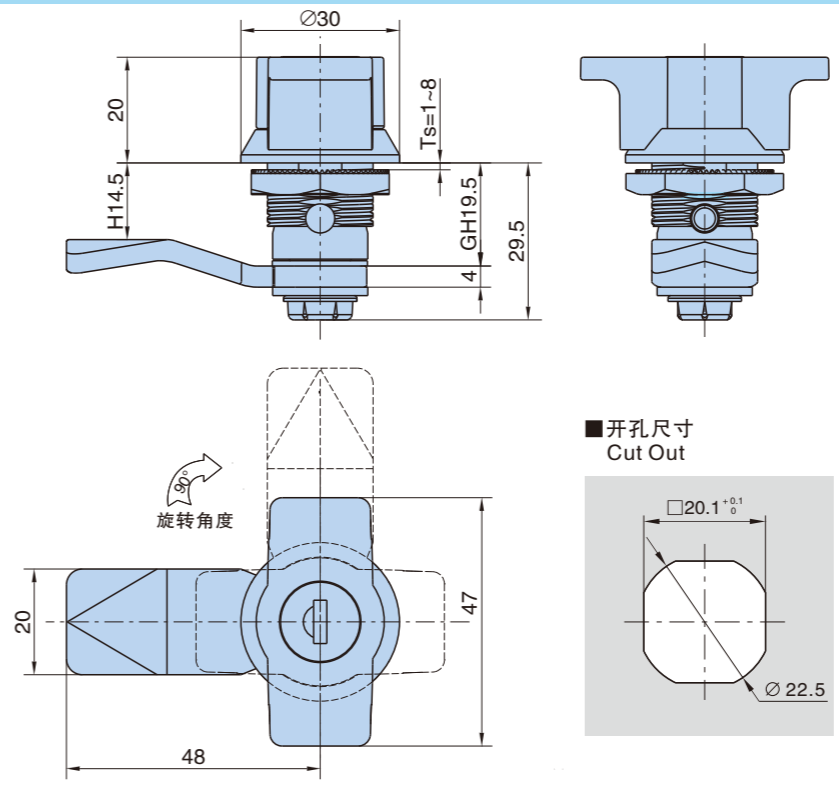


- 材质: 锌合金锁体、螺母, 镀锌锁片
- 适用门板厚度: 1~6mm
- 表面处理: 喷无光黑
- Material: Zinc die-casting body, Nut, Zinc plating cam
- Finish: Black powder coated
- Panel thickness: 1~6mm



型号 Product no.	产品单重(g) Weight	装箱数 Lot
MS408-3-1	56.5	500

安全锁芯转舌锁 Secure Cylinder Cam Lock



型号 Product no.	产品单重(g) Weight	装箱数 Lot
MS7072Z-1-1	126.3	200

MS7072Z-1-1



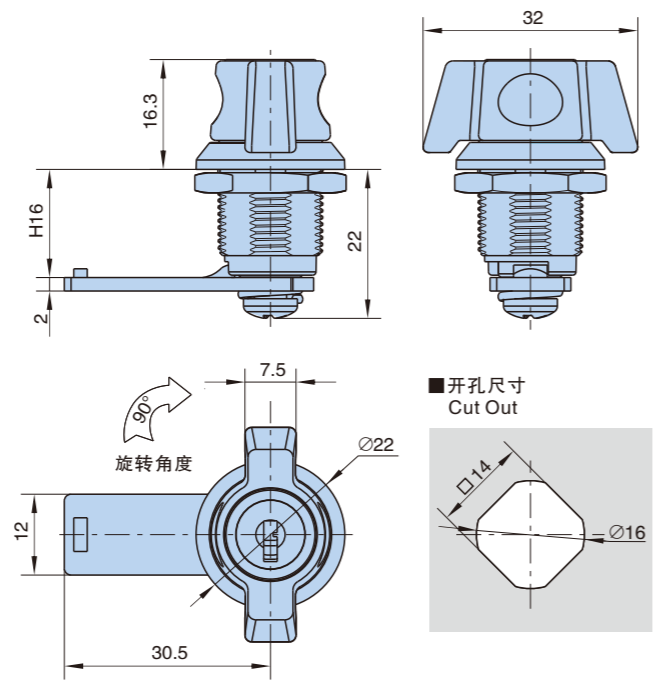
- 材质: 锌合金锁壳, 手柄, 锁芯, 碳钢锁片
- 表面处理: 镀亮铬, 配件镀蓝白锌
- 适用门板: 1~8mm
- 备注: 默认K333钥匙
- Material: zinc alloy for the housing, handle and cylinder, steel for the cam.
- Finish: bright chrome for the body, blue-white zinc plating for the accessories.
- Panel thickness: 1~8mm.
- Remark: with K333 keys.

MS7068Z-1-1

安全锁芯转舌锁 Secure Cylinder Cam Lock

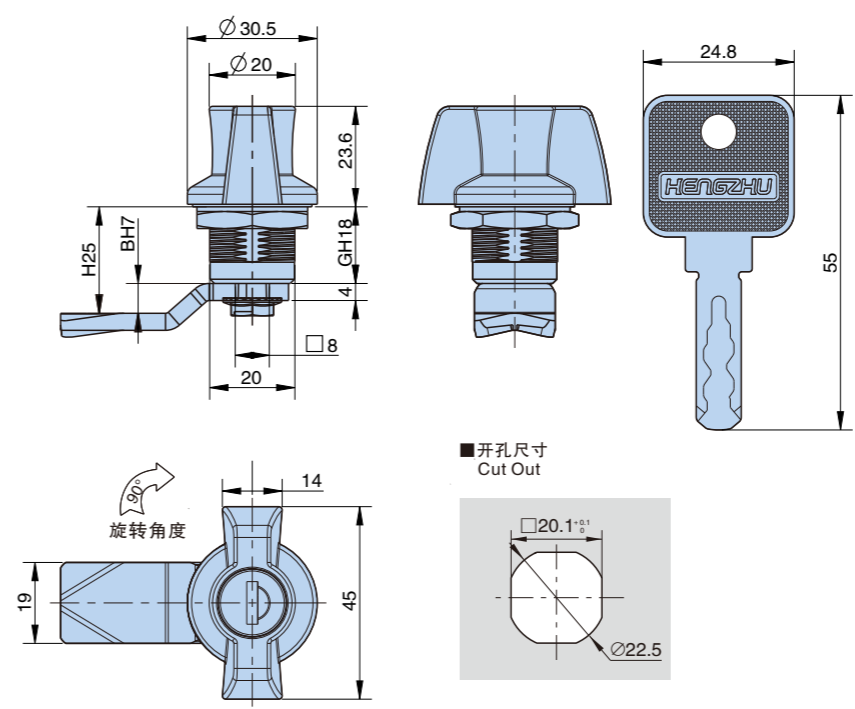


- 材质: 锌合金锁体, 锁芯, 碳钢锁片
- 表面处理: 电泳黑
- 适用门板厚度: 1~5mm
- Material: Zinc die-casting body and insert steel cam
- Finish: Electrophoresis Black
- Panel thickness: 1~5mm



型号 Product no.	产品单重(g) Weight	装箱数 Lot
MS7068Z-1-1	62.5	400

安全锁芯转舌锁 Secure Cylinder Cam Lock



型号 Product no.	产品单重(g) Weight	装箱数 Lot
MS7081Z-1-1		

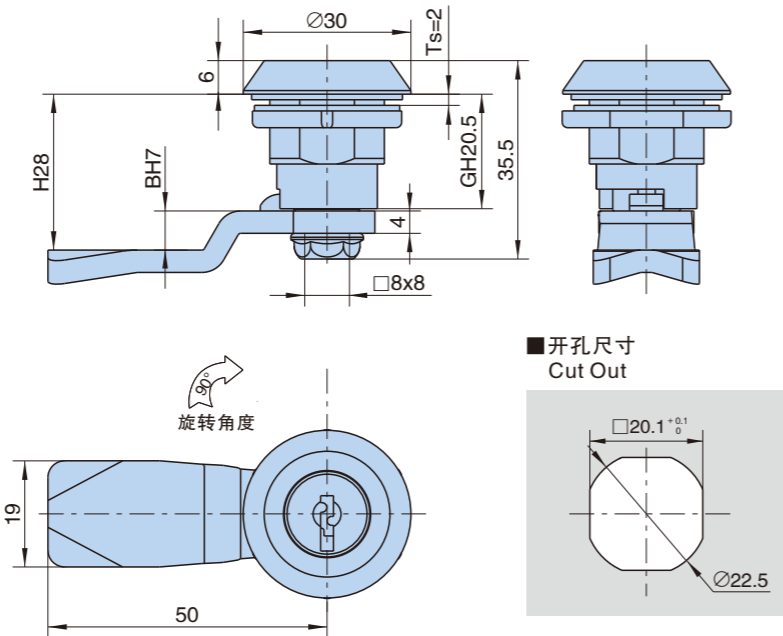
MS7081Z-1-1



- 材质: 锌合金锁体, 碳钢锁片
- 表面处理: 喷无光黑
- 适用门板厚度: 1~5mm
- 备注: 锁片开孔 8 × 8
- Material: Zinc die body steel cam
- Finish: Black powder coated
- Panel thickness: 1~5mm
- Remark: cam size 8 × 8

MS405-1-1

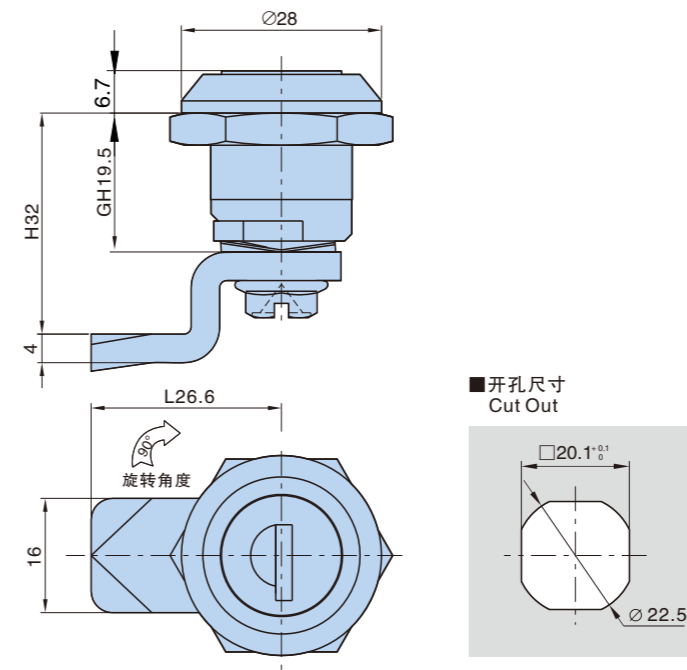
安全锁芯转舌锁 Secure Cylinder Cam Lock



- 材质: 锌合金锁体, 锁芯, 镀锌钢栓。
- 表面处理: 镀亮铬
- 适用门板厚: 1-7mm
- Material: zinc die-casting body, cylinder, Nut, Zinc plating cam;
- Finish: bright chrome plating
- Panel thickness: 1-7mm;

型号 Product no.	产品单重(g) Weight	装箱数 Lot
MS405-1-1	105.4	200

安全锁芯转舌锁 Secure Cylinder Cam Lock



产品型号及特性 Product Number		产品单重(g) Weight	装箱数 Lot
镀亮铬 Bright chrome plating	MS721.1	87	200
无光黑 Black powder coated	MS721.3	87	200

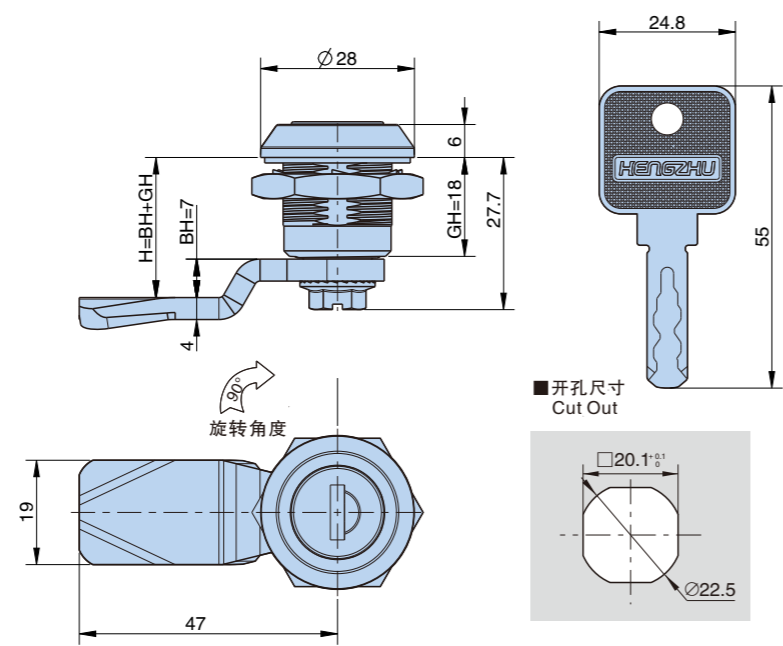
MS721



- 材质: 锌合金锁体, 镀锌螺母、锁片
- 表面处理: 镀亮铬, 无光黑
- 适用门板厚度: 1-6mm
- Material: Zinc die-casting body, Zinc plating nut and cam
- Finish: Bright chrome plating Black powder coated
- Panel thickness: 1-6mm

MS7079-2-1

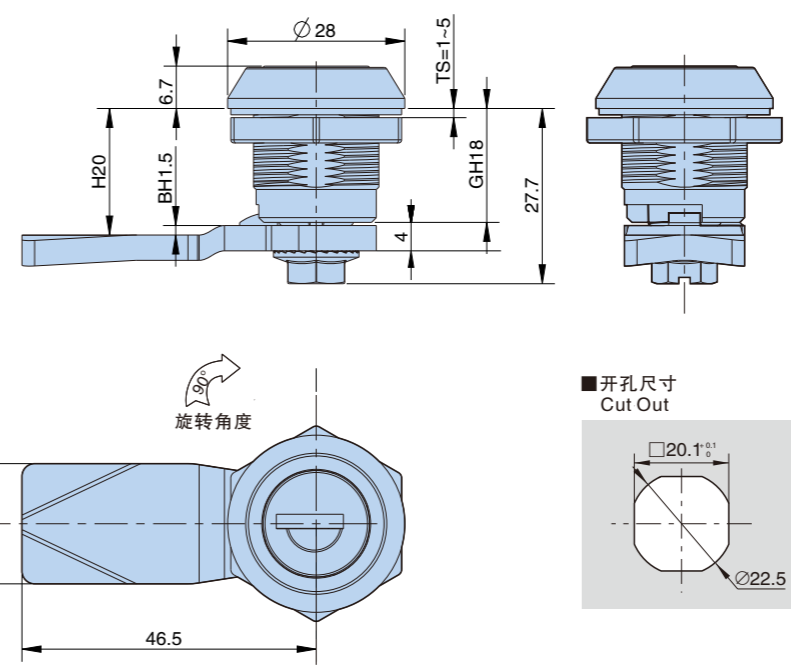
安全锁芯转舌锁 Secure Cylinder Cam Lock



- 材质: 锌合金锁体, 螺母, 碳钢锁片
- 表面处理: 电泳黑
- 适用门板厚度: 1-5mm
- 备注: 锁片开孔 8x8
- Material: Zinc die body nut steel cam
- Finish: Electrophoresis black
- Panel thickness: 1-5mm
- Remark: cam size 8x8

型号 Product no.	产品单重(g) Weight	装箱数 Lot
MS7079-2-1		

安全锁芯转舌锁 Secure Cylinder Cam Lock



型号 Product no.	产品单重(g) Weight	装箱数 Lot
MS721-1S-1		

MS721-1S-1



- 材质: 不锈钢锁体, 锁片
- 表面处理: 本色
- 适用门板厚度: 1-5mm
- 备注: 锁片开孔
- Material: sus body, cam
- Finish: natural color
- Panel thickness: 1-5mm
- Remark: cam size 8x8

MS410

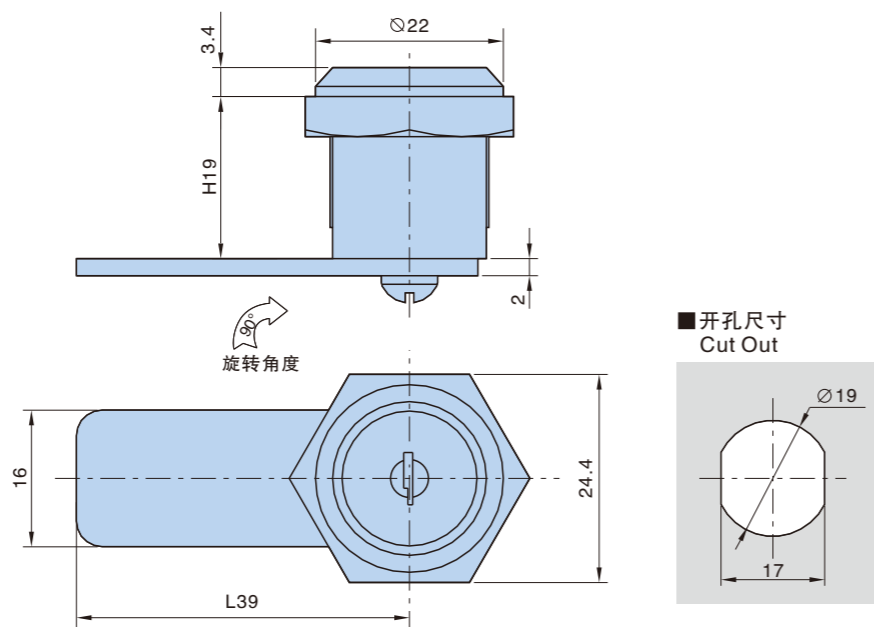
安全锁芯转舌锁 Secure Cylinder Cam Lock

RL



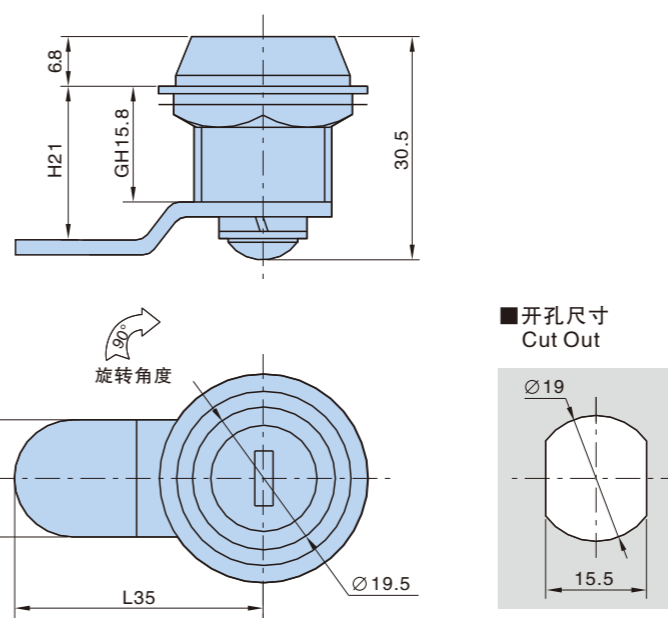
K0200

- 材质: 锌合金锁体、螺母, 镀锌锁片
- 表面处理: 镀亮铬
- 适用门板厚度: 1~9mm
- Material: Zinc die-casting body Nut, Zinc plating cam
- Finish: Bright chrome plating
- Panel thickness: 1~9mm



锁芯类别 Insert type	产品型号及特性 Product Number	产品单重(g) Weight	装箱数 Lot
K097	MS410	47.5	400
K0200	MS410C	59	400

安全锁芯转舌锁 Secure Cylinder Cam Lock



产品型号及特性 Product Number	产品单重(g) Weight	装箱数 Lot
圆形锁壳 Round housing MS413Y	66	300
方形锁壳 square housing MS413F	74	300

MS413

RL



K0200



MS413Y

MS413F

- 材质: 锌合金锁体、螺母, 镀锌钢垫圈、锁片
- 表面处理: 镀亮铬
- 适用门板厚度: 1~6mm
- Material: Zinc die-casting body, Nut, Zinc plating cam; washer
- Finish: Bright chrome plating
- Panel thickness: 1~6mm

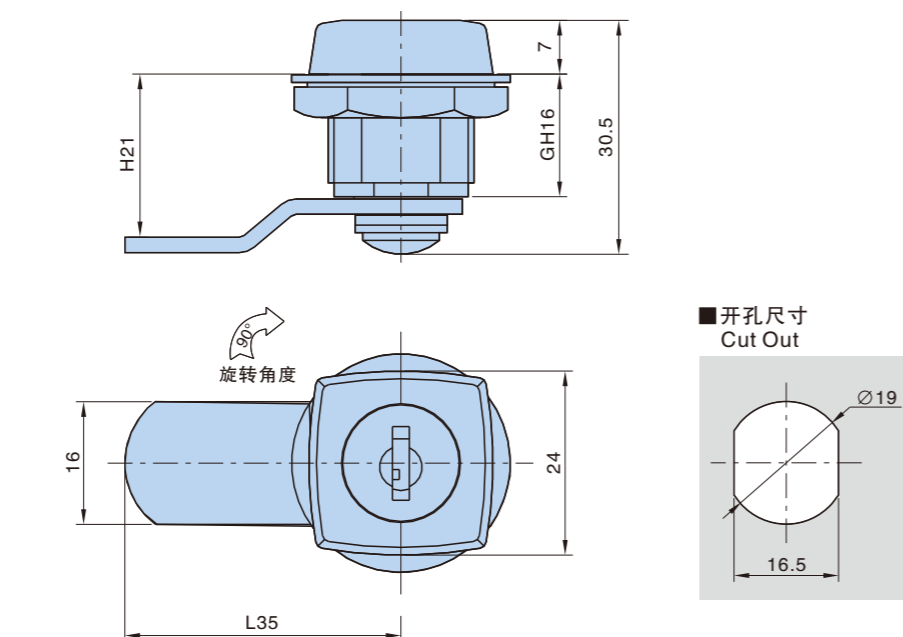
MS411

安全锁芯转舌锁 Secure Cylinder Cam Lock

RL

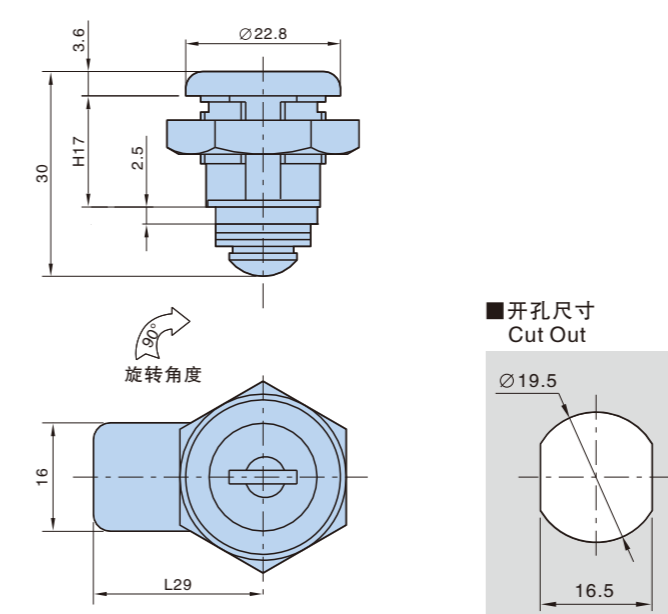


- 材质: 锌合金锁体、螺母, 镀锌钢垫圈、锁片
- 表面处理: 镀亮铬
- 适用门板厚度: 1~9mm
- Material: Zinc die-casting body, Nut, Zinc plating cam; washer
- Finish: Bright chrome plating
- Panel thickness: 1~9mm



锁芯类别	型号 Product no.	产品单重(g) Weight	装箱数 Lot
K0120 key(普通型号)	MS411	61	400
K0200 key	MS411C	71	400

安全锁芯转舌锁 Secure Cylinder Cam Lock



型号 Product no.	产品单重(g) Weight	装箱数 Lot
MS415	60	300

MS415

RL

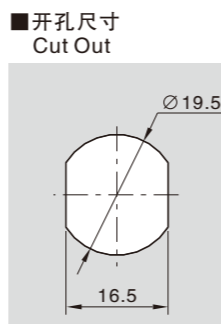
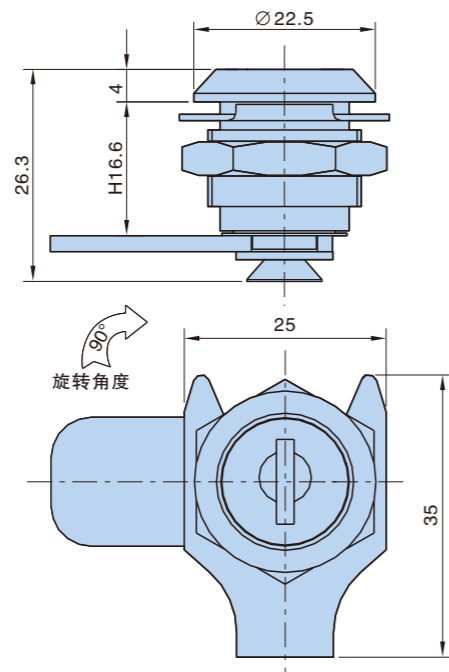


- 材质: 锌合金锁体、螺母, 镀锌钢垫圈、锁片
- 表面处理: 镀亮铬
- 适用门板厚度: 1~6mm
- Material: Zinc die-casting body, Nut, Zinc plating cam
- Finish: Bright chrome plating
- Panel thickness: 1~6mm

MS416

安全锁芯转舌锁 Secure Cylinder Cam Lock

RL



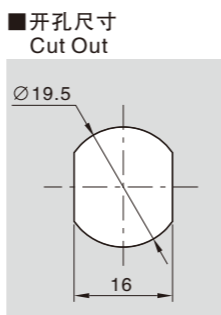
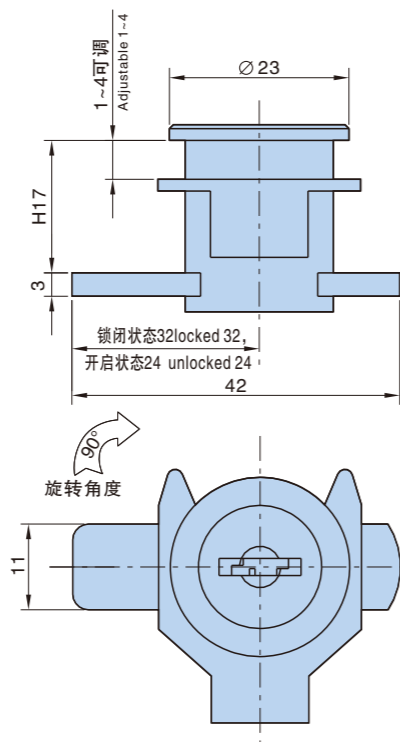
- 材质: 锌合金锁体、螺母, 镀锌钢卡、锁片
- 表面处理: 镀亮铬
- 适用门板厚度: 1~2mm
- Material: Zinc die-casting body, Nut, Zinc plating cam, fixing parts
- Finish: Bright chrome plating
- Panel thickness: 1~2mm

型号 Product no.	产品单重(g) Weight	装箱数 Lot
MS416	53	200

MS417

安全锁芯转舌锁 Secure Cylinder Cam Lock

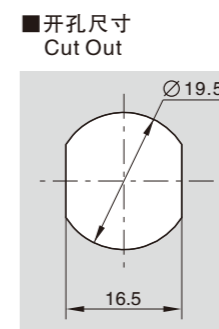
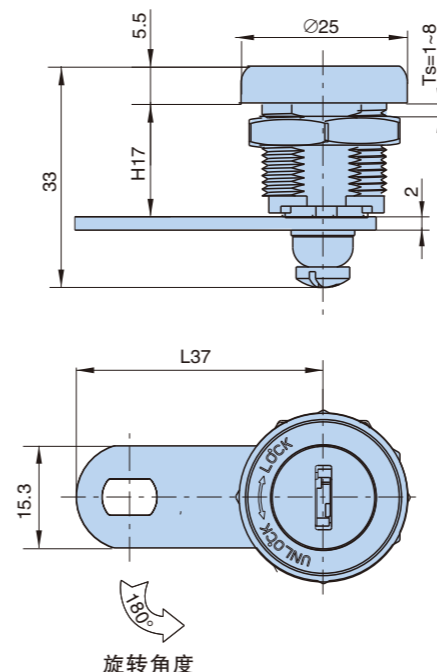
RL



- 材质: 锌合金锁体, 镀锌钢卡、锁片
- 表面处理: 镀亮铬
- 适用门板厚度: 1~4mm
- Material: Zinc die-casting body, Zinc plating cam, fixing parts
- Finish: Bright chrome plating
- Panel thickness: 1~4mm

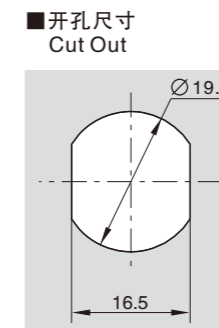
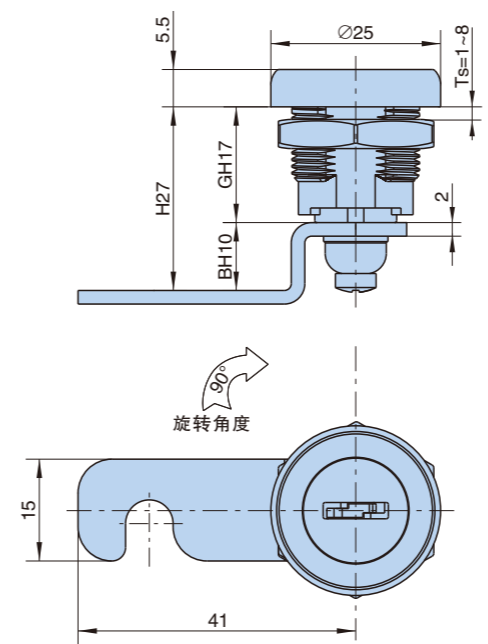
型号 Product no.	产品单重(g) Weight	装箱数 Lot
MS417	52	300

安全锁芯转舌锁 Secure Cylinder Cam Lock



型号 Product no.	产品单重(g) Weight	装箱数 Lot
MS438-1-1	50	300

安全锁芯转舌锁 Secure Cylinder Cam Lock



型号 Product no.	产品单重(g) Weight	装箱数 Lot
MS438-1A-1	30.5	300

MS438-1-1

RL



- 材质: 锌合金锁体、锁芯, 碳钢锁片
- 表面处理: 镀亮铬
- 适用门板厚度: 1~8mm
- Material: zinc die-casting lock housing and cylinder, zinc plating steel cam
- Finish: Bright chrome plating
- Panel thickness: 1~8mm

MS438-1A-1

RL



- 材质: 锌合金锁体、锁芯, 碳钢锁片
- 表面处理: 镀亮铬
- 适用门板厚度: 1~8mm
- Material: zinc die-casting lock housing and cylinder, zinc plating steel cam
- Finish: Bright chrome plating
- Panel thickness: 1~8mm

MS425

安全锁芯转舌锁 Secure Cylinder Cam Lock

RL

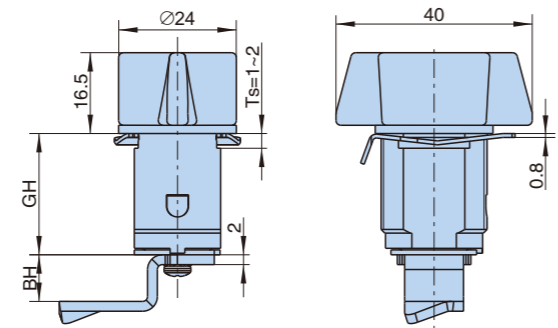


MS425-2-1

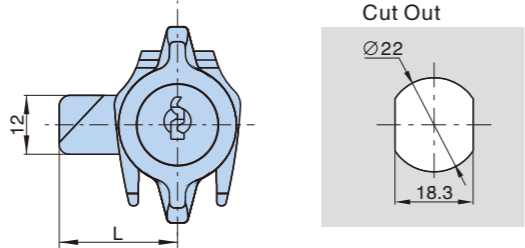


圆钥匙 Circle the key 方钥匙 The key to

- 材质: 锌合金锁体, 镀锌卡扣和锁片
- 表面处理: 镀沙铬
- 适用门板厚度: 1~5mm
- 备注: 有方钥匙和圆钥匙可选
- Material: Zinc die-casting body, Zinc plating Buckle and cam
- Finish: Gray chrome plating
- Panel thickness: 1~5mm
- Remark: Square and round keys are available



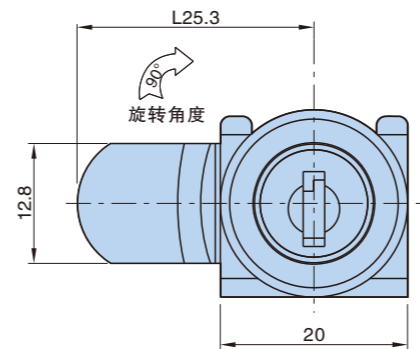
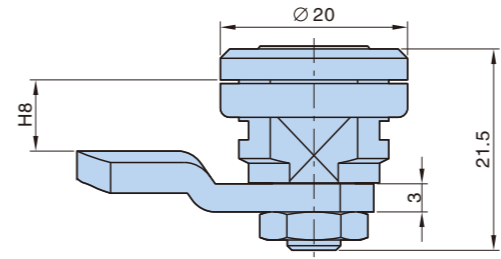
■开孔尺寸 Cut Out



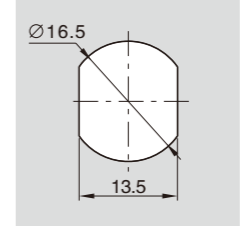
基本尺寸 Dimensions			产品型号及特性 Product Number	产品单重(g) Weight	装箱数 Lot
GH	BH	L			
38	9.5	24	MS425-1-1JC	130	200
	5	27	MS425-2-1JC	125	200
24.7	9.5	24	MS425-1-1	105	200
	5	27	MS425-2-1	102	200

安全锁芯转舌锁 Secure Cylinder Cam Lock

RL



■开孔尺寸 Cut Out



型号 Product no.	产品单重(g) Weight	装箱数 Lot
MS427	16.5	200

MS427



- 材质: 锌合金锁体, 锁芯, 镀锌锁片
- 表面处理: 喷沙纹黑
- 适用门板厚度: 1~2mm
- Material: Zinc die-casting body and insert, Zinc plating cam
- Finish: Matt black
- Panel thickness: 1~2mm

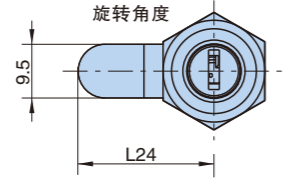
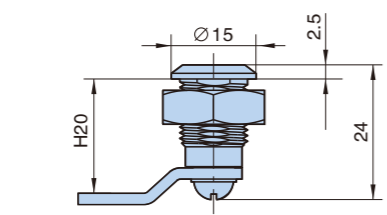
MS441-1-1

安全锁芯转舌锁 Secure Cylinder Cam Lock

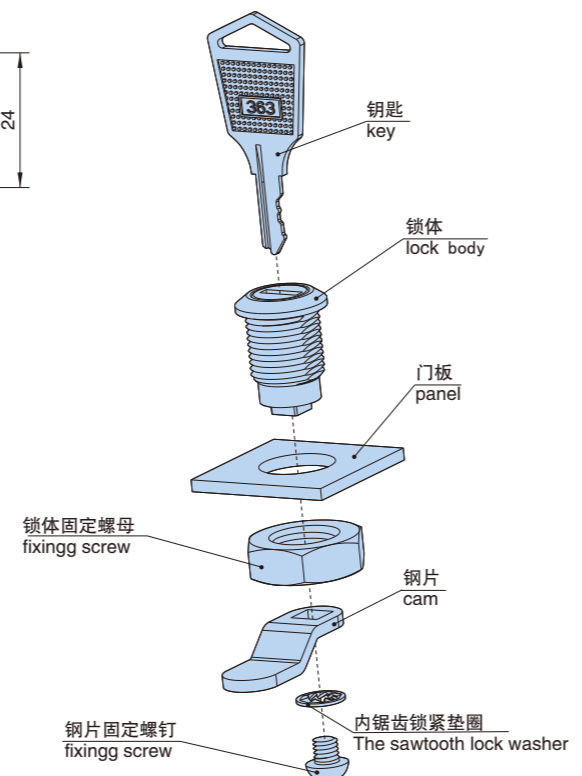
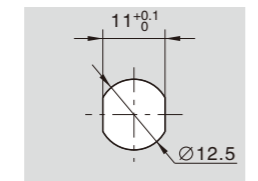
RL



- 材质: 锌合金锁体、螺母, 镀锌锁片
- 表面处理: 镀亮铬
- 适用门板厚度: 1~6mm
- Material: Zinc die-casting body, Nut, Zinc plating cam, fixing parts
- Finish: Bright chrome plating
- Panel thickness: 1~6mm



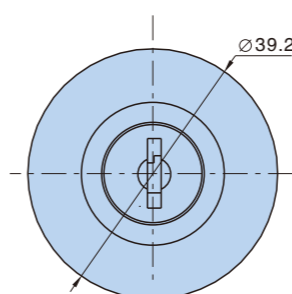
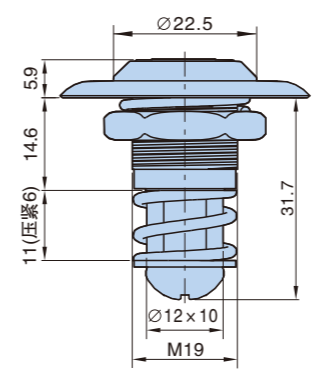
■开孔尺寸 Cut Out



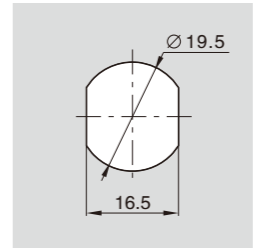
型号 Product no.	产品单重(g) Weight	装箱数 Lot
MS441-1-1	17	500

安全锁芯转舌锁 Secure Cylinder Cam Lock

RL



■开孔尺寸 Cut Out



型号 Product no.	产品单重(g) Weight	装箱数 Lot
MS428	63	200

MS428



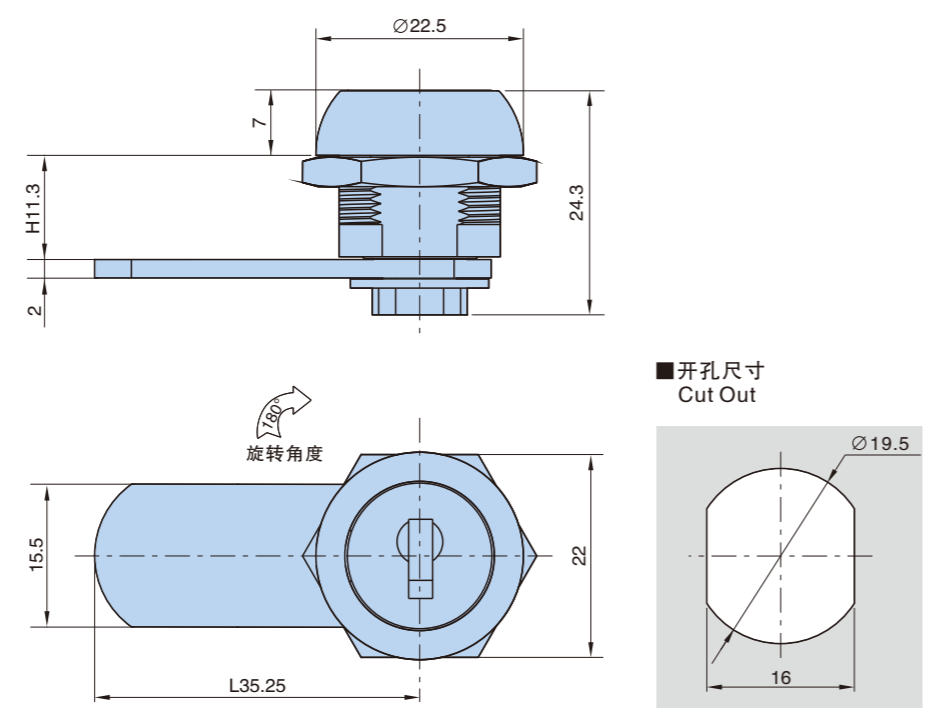
- 材质: 不锈钢面板, 锌合金锁壳, 锁芯, 镀锌钢钥匙
- 表面处理: 镀亮铬
- 适用门板厚度: 1~4mm
- Material: Stainless steel panel, Zinc die-casting housin&cylinder, nickel plating steel key
- Finish: Bright chrome plating
- Panel thickness: 1~4mm

MS432-1

安全锁芯转舌锁 Secure Cylinder Cam Lock

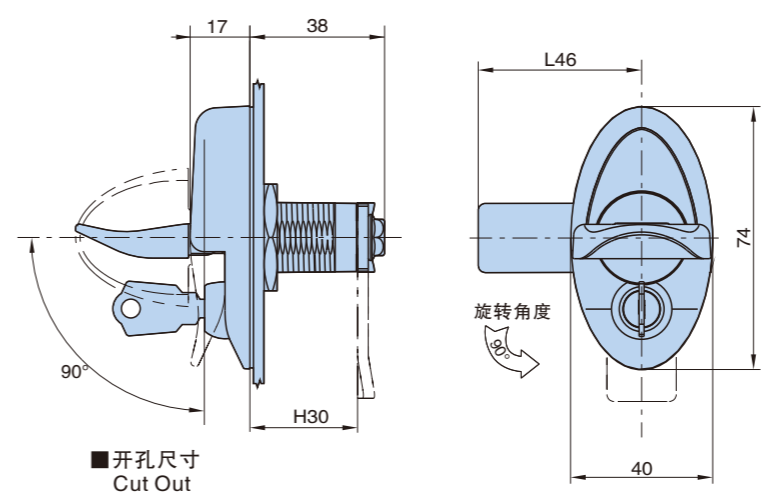


- 材质: 锌合金锁壳、锁芯、镀锌锁片
- 表面处理: 镀亮铬
- 适用门板厚度: 1~3mm
- 备注: 默认钥匙K0432
- Material: Zinc die-casting housing, insert, Zinc plating cam
- Finish: bright chrome plating
- Panel thickness: 1~3mm
- Remark: K0432



型号 Product no.	产品单重(g) Weight	装箱数 Lot
MS432-1	65	400

安全锁芯转舌锁 Secure Cylinder Cam Lock



型号 Product no.	产品单重(g) Weight	装箱数 Lot
MS430-1-1	226.5	100

MS430-1-1



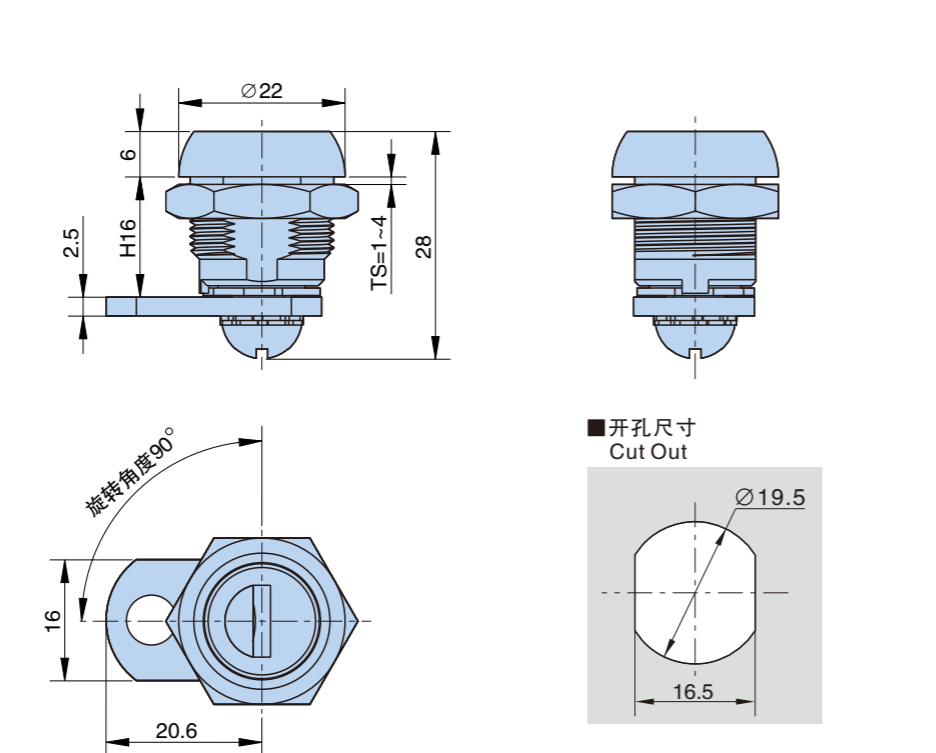
- 材质: 锌合金锁壳、锁芯、镀锌锁片
- 表面处理: 镀亮铬
- 适用厚板: 1~20mm
- 备注: 锁片开孔□8×8
- Material: Zinc die-casting body and cylinder, zinc plating cam
- Finish: Bright chorme plating
- Panel thickness: 1~20mm
- Remark: cutout □8×8

MS839-1A

安全锁芯转舌锁 Secure Cylinder Cam Lock

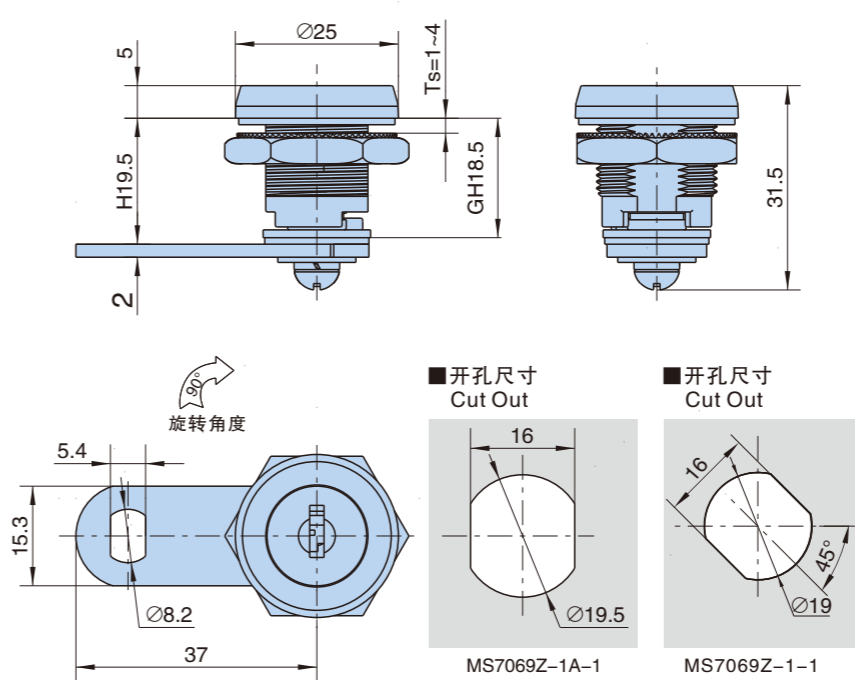


- 材质: 锌合金锁壳, 锁芯, 碳钢锁片
- 表面处理: 镀亮铬
- 适用门板厚度: 1~4mm
- Material: Zinc die-casting body steel cam
- Finsh: Bright chrome plating
- Panel: thickness: 1~4mm



型号 Product no.	产品单重(g) Weight	装箱数 Lot
MS839-1A		

安全锁芯转舌锁 Secure Cylinder Cam Lock



型号 Product no.	产品单重(g) Weight	装箱数 Lot
MS7069Z-1-1	46	400
MS7069Z-1A-1	67.8	400

MS7069Z-1-1



- 材质: 锌合金锁体, 锁芯, 碳钢 锁片
- 表面处理: 镀亮铬
- 适用门板厚度: 1~4mm
- Material: Zinc die-casting body and insert steel cam
- Finish Bright chrome plating
- Panel thickness: 1~4mm

MS409

安全锁芯转舌锁 Secure Cylinder Cam Lock

RL

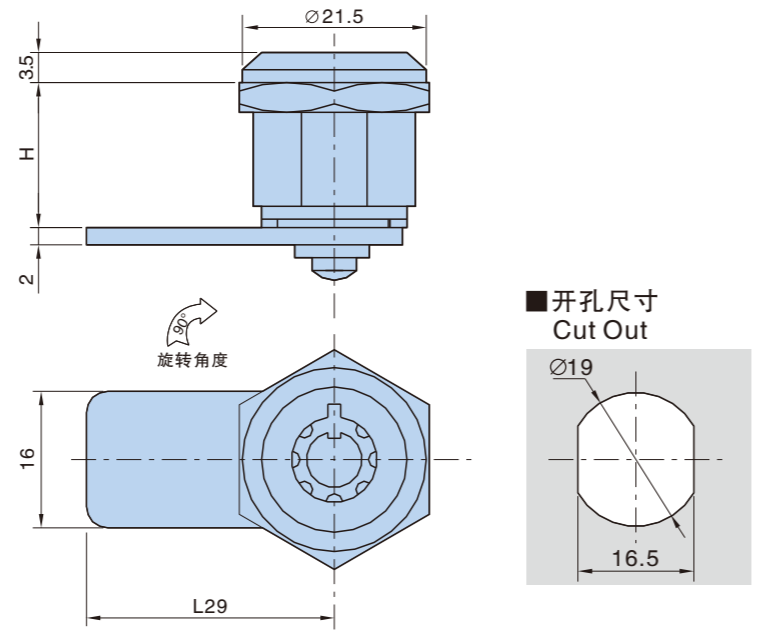


MS409-1



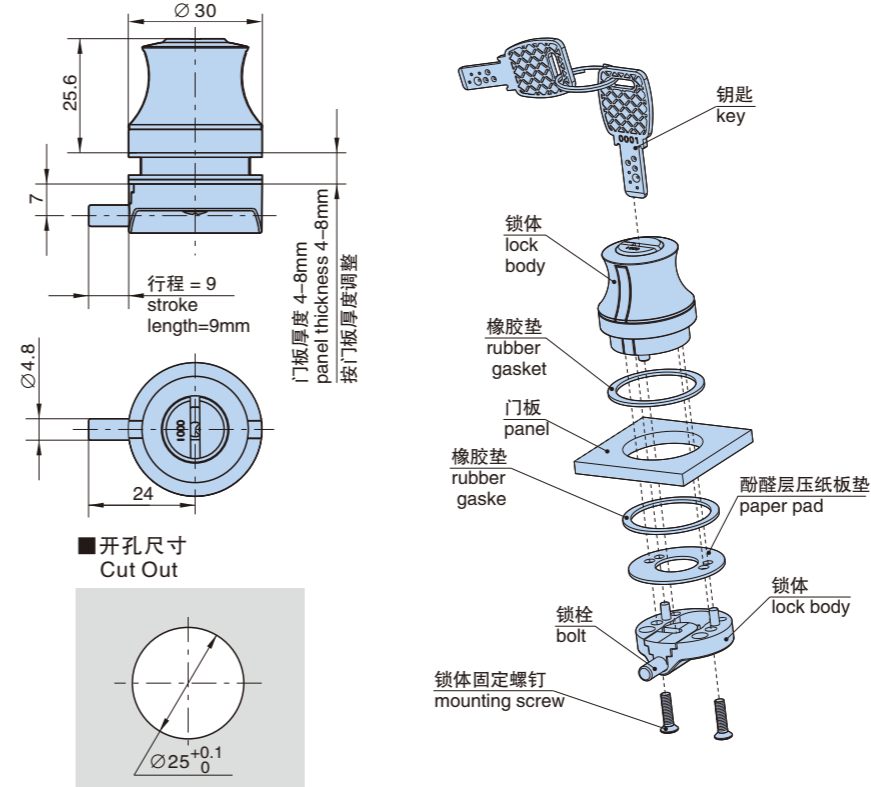
MS409-2

- 材质: 锌合金锁体, 镀锌锁片
- 表面处理: 镀亮铬
- 适用门板厚度: 1~6mm
- Material: Zinc die-casting body Nut, Zinc plating cam
- Finish: Bright chrome plating
- Panel thickness: 1~6mm



基本尺寸 Dimensions	产品型号 Product Number	产品单重(g) Weight	装箱数 Lot
H			
23	MS409-1	70	250
13	MS409-2	11.5	250

安全锁芯转舌锁 Secure Cylinder Cam Lock



型号 Product no.	产品单重(g) Weight	装箱数 Lot
MS439-1-1	117.5	200

MS439-1-1

RL



- 材质: 锌合金锁体
- 表面处理: 镀珍珠镍
- 适用门板厚度: 4~8mm
- Material: Zinc die-casting body
- Finish: Nickel plating
- Panel thickness: 4~8mm

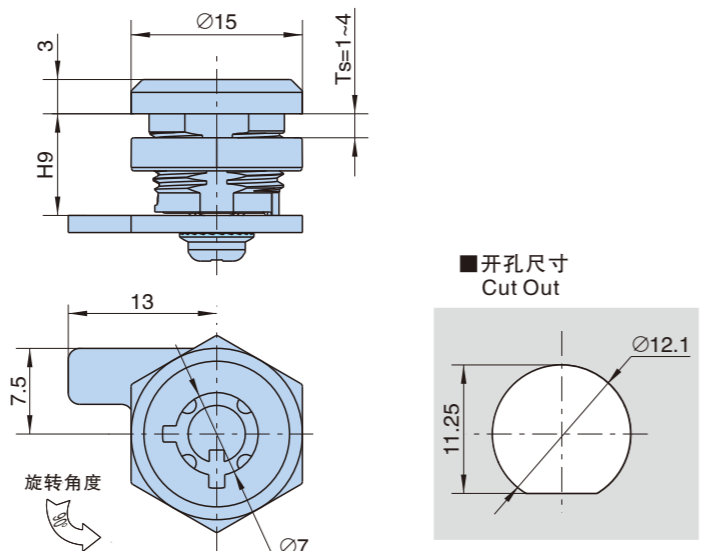
MS7070Z-1-1

安全锁芯转舌锁 Secure Cylinder Cam Lock

RL

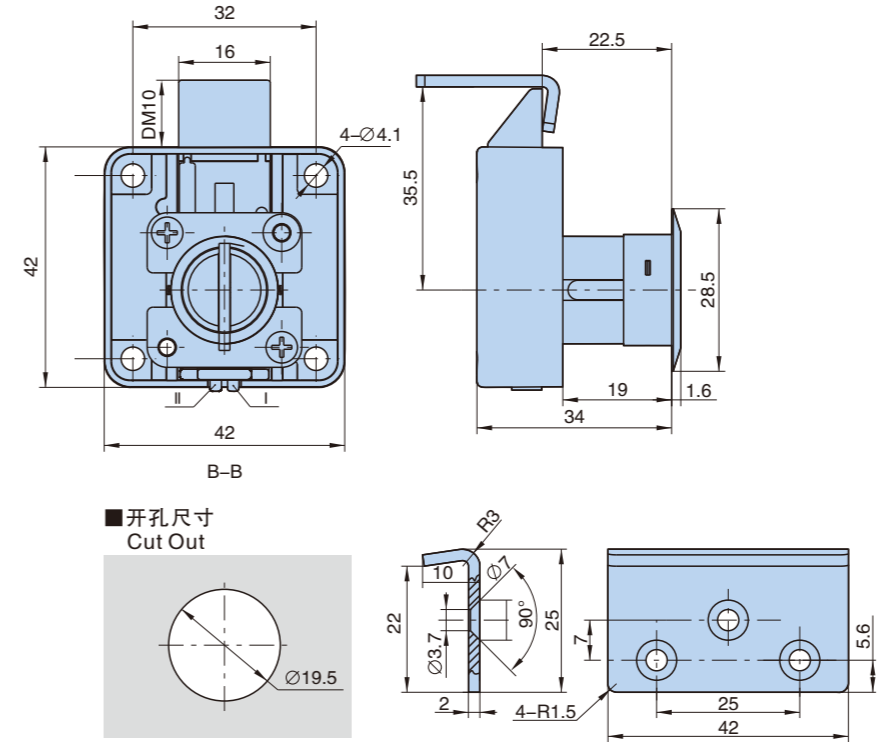


- 材质: 锌合金锁壳, 锁芯, 螺母
- 表面处理: 喷无光黑, 配件镀蓝白锌
- 适用门板厚度: 1-4mm
- Material: zinc alloy for the housing, cylinder and screw.
- Finish: matt black for the body, blue-white zinc plating for the accessories.
- Panel thickness: 1-4mm.



型号 Product no.	产品单重(g) Weight	装箱数 Lot
MS7070Z-1-1	13.6	400

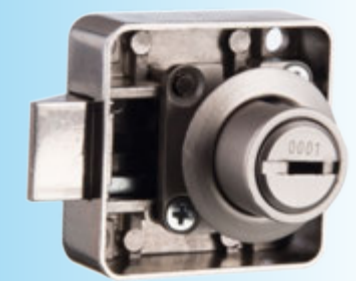
安全锁芯转舌锁 Secure Cylinder Cam Lock



型号 Product no.	产品单重(g) Weight	装箱数 Lot
MS440-1-1	116.5	100

MS440-1-1

RL



- 材质: 锌合金锁体
- 表面处理: 镀珍珠镍
- 适用门板厚度: 1~19mm
- 备注: 适用于类似抽屉的锁: 钥匙旋转180° 开启状态下通过调节开关位置有防止锁闭功能。
- Material: Zinc alloy
- Finish: Nickel plating
- Panel thickness: 1~19mm

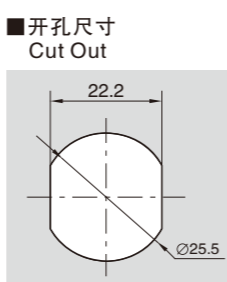
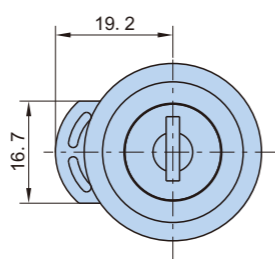
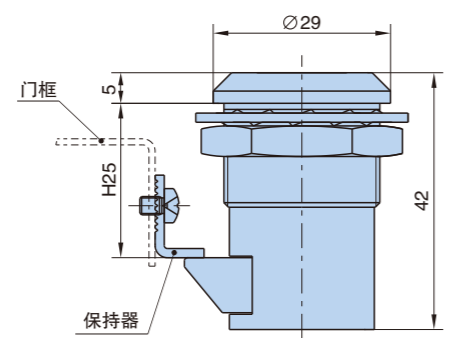
MS818-1

安全锁芯转舌锁 Secure Cylinder Cam Lock

RL

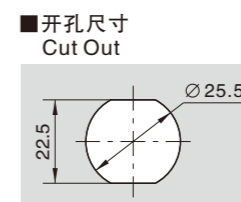
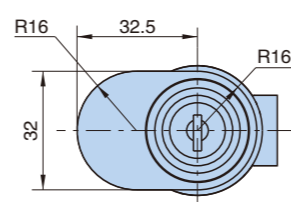
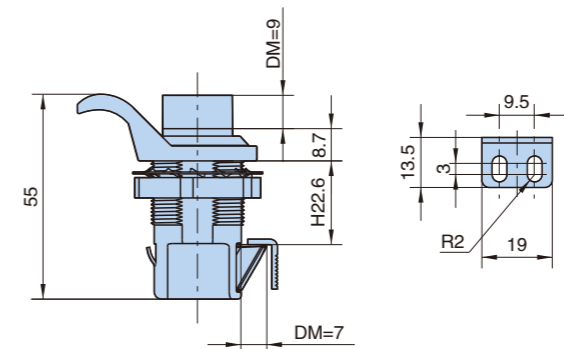


- 材质: 锌铝合金锁壳, 锁芯, 黑色乙缩醛锁舌
- 表面处理: 镀亮铬
- 适用板厚: 1~10mm
- 备注: 左右通用
- Material: Zinc alloy housing and Cylinder, plastic tone
- Finish: Bright chrome plating
- Panel thickness: 1~10mm



型号 Product no.	产品单重(g) Weight	装箱数 Lot
MS818-1	119	200

安全锁芯转舌锁 Secure Cylinder Cam Lock



型号 Product no.	产品单重(g) Weight	装箱数 Lot
MS750-1	39	500

MS750-1

RL



- 材质: PA6锁体
- 表面颜色: 黑色
- 适用门板厚度: 1~10mm
- Material: PA6 casting body.
- Finish: black
- Panel thickness: 1~10mm

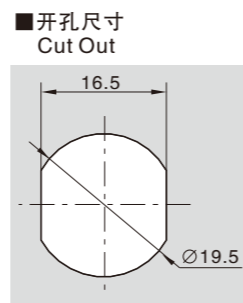
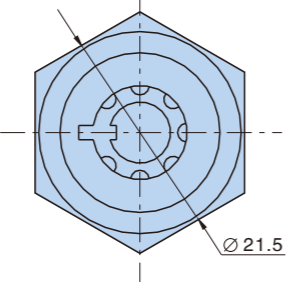
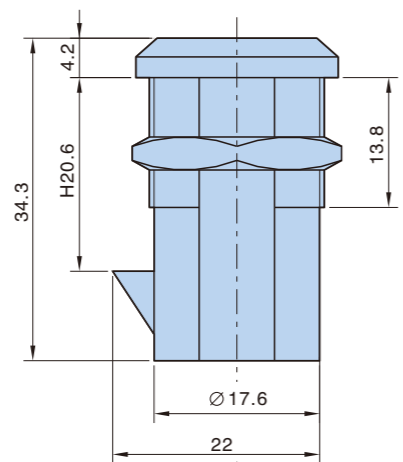
MS818-2

安全锁芯转舌锁 Secure Cylinder Cam Lock

RL

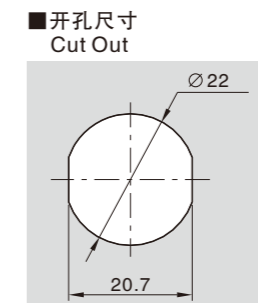
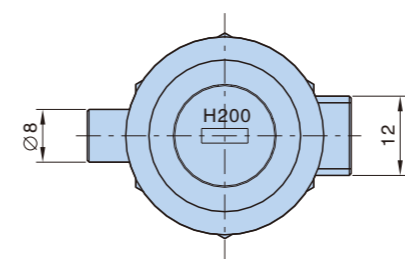
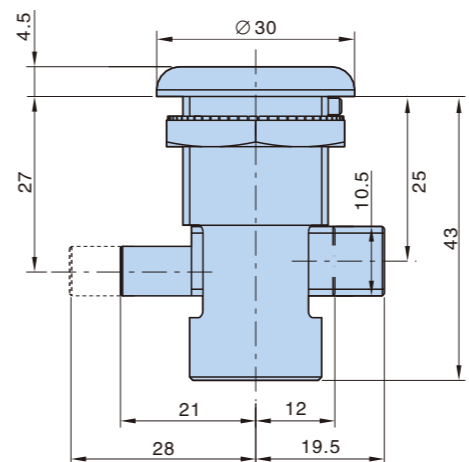


- 材质: 锌合金锁体, 螺母, 锁舌
- 表面处理: 镀亮铬
- 适用门板厚度: 1~8mm
- Material: Zinc die-casting body, nut, dead bolt
- Finish: Bright chrome plating
- Panel thickness: 1~8mm



型号 Product no.	产品单重(g) Weight	装箱数 Lot
MS818-2	64.5	250

安全锁芯转舌锁 Secure Cylinder Cam Lock



型号 Product no.	产品单重(g) Weight	装箱数 Lot
MS819	121.5	200

MS819

RL



- 材质: 锌合金锁体, 螺母, 锁舌
- 表面处理: 镀沙铬
- 适用门板厚度: 1~5mm
- Material: Zinc die-casting body, nut, dead bolt
- Finish: Gray chrome plating
- Panel thickness: 1~5mm

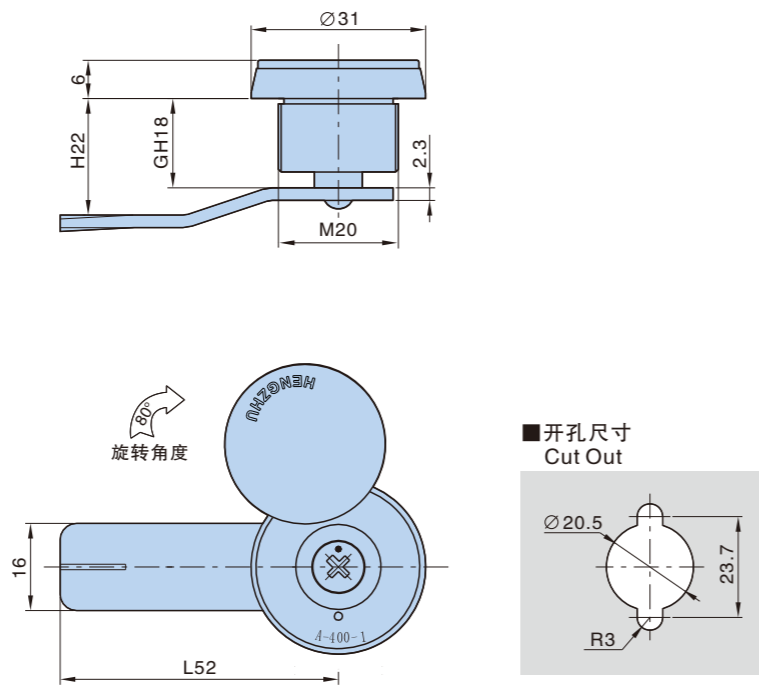
MS-A-400

安全锁芯转舌锁 Secure Cylinder Cam Lock

RL



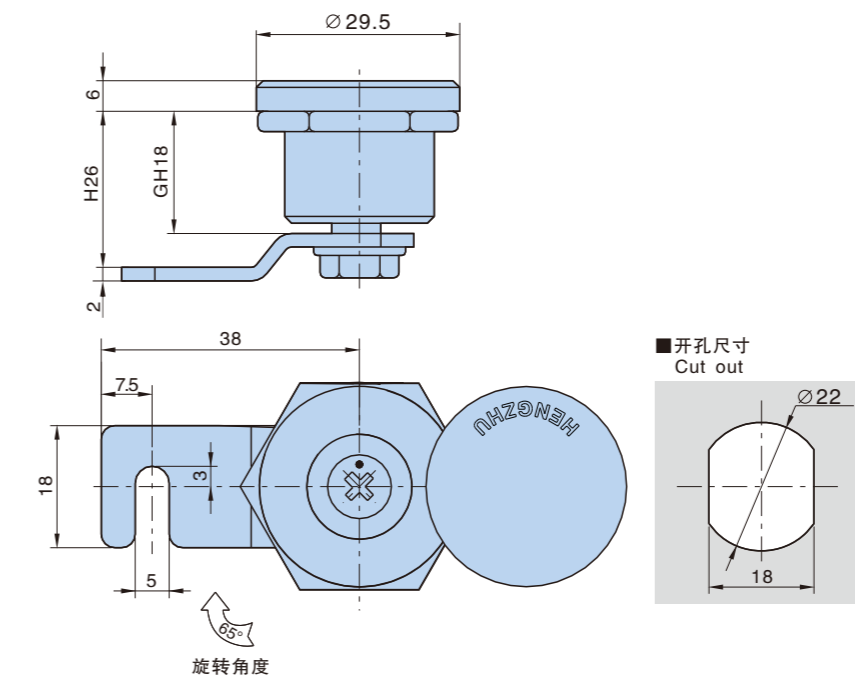
- 材质: 锌合金锁体, 螺母, 铜锁芯, 镀锌锁片
- 表面处理: 镀亮铬
- 适用门板厚度: 1~8mm
- Material: Zinc die-casting body, Nut, Brass insert, Zinc plating cam, fixing parts
- Finish: Bright chrome plating
- Panel thickness: 1~8mm



型号 Product no.	产品单重(g) Weight	装箱数 Lot
MS-A-400	93.5	200

安全锁芯转舌锁 Secure Cylinder Cam Lock

RL



型号 Product no.	产品单重(g) Weight	装箱数 Lot
MS-A-403	96	200



- 材质: 锌合金锁体, 螺母, 铜锁芯, 镀锌锁片
- 表面处理: 喷沙镀铬
- 适用门板厚度: 1~5mm
- Material: Zinc die-casting body, Nut, Brass insert, Zinc plating cam
- Finish: Pocked chrome plating
- Panel thickness: 1~5mm

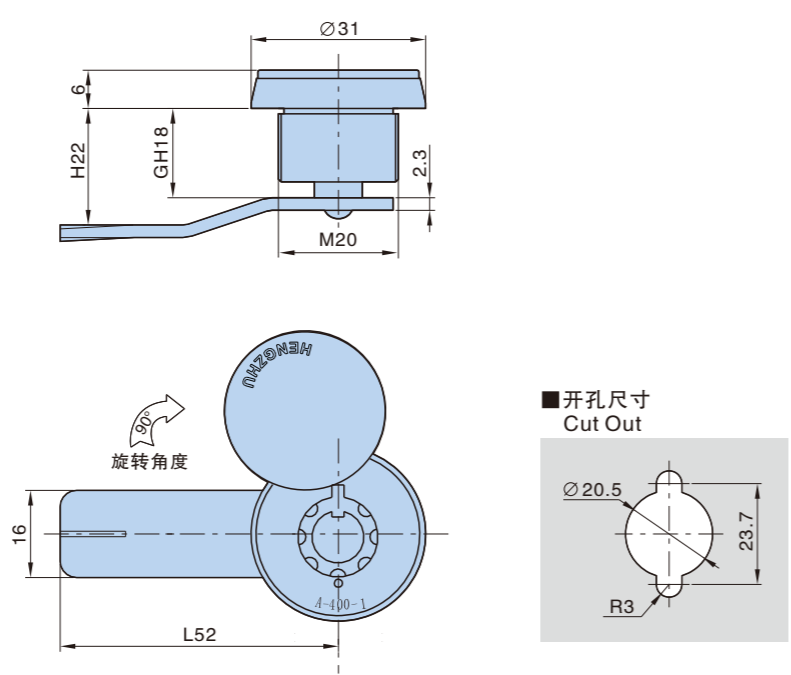
MS-A-400D

安全锁芯转舌锁 Secure Cylinder Cam Lock

RL



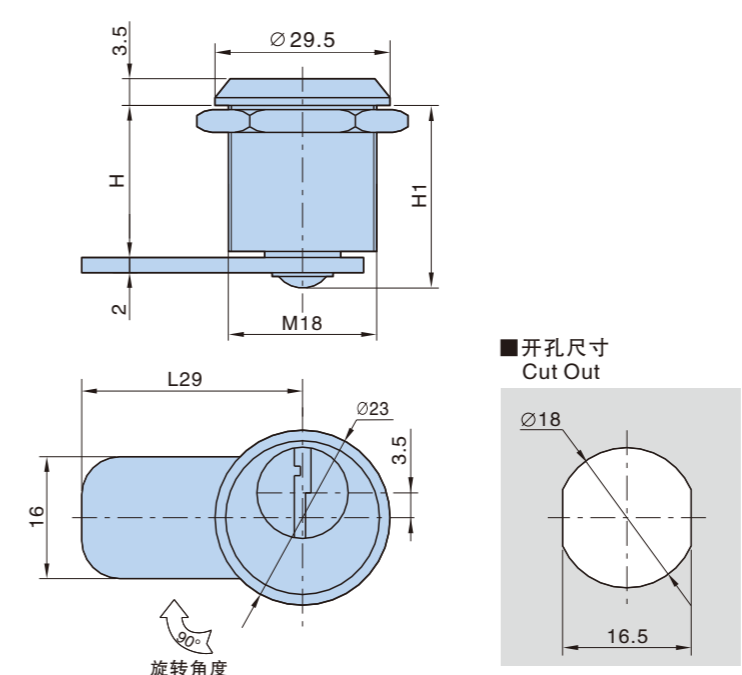
- 材质: 锌合金锁体, 螺母, 铜锁芯, 镀锌锁片
- 表面处理: 镀亮铬
- 适用门板厚度: 1~8mm
- Material: Zinc die-casting body, Nut, Brass insert, Zinc plating cam, fixing parts
- Finish: Bright chrome plating
- Panel thickness: 1~8mm



型号 Product no.	产品单重(g) Weight	装箱数 Lot
MS-A-400D	90	200

安全锁芯转舌锁 Secure Cylinder Cam Lock

RL



基本尺寸 Dimensions		产品型号 Product Number	产品单重(g) Weight	装箱数 Lot
H	H1			
30.5	38	MS-W400-1	72	500



- 材质: 锌合金锁体, 螺母, 镀锌锁片, 铜钥匙
- 表面处理: 镀亮铬
- 适用门板厚度: 1~10mm
- Material: Zinc die-casting body, Nut, Zinc plating cam, Brass key
- Finish: Bright chrome plating
- Panel thickness: 1~10mm

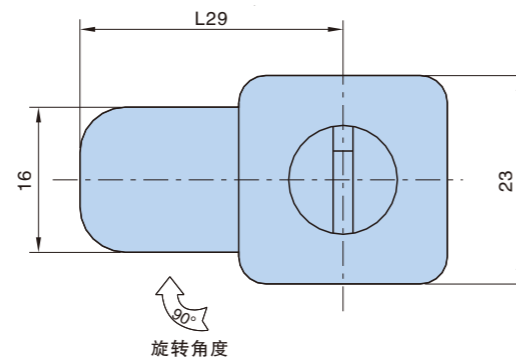
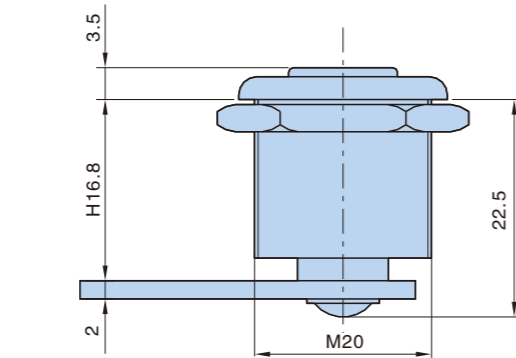
MS-W400-2A

安全锁芯转舌锁 Secure Cylinder Cam Lock

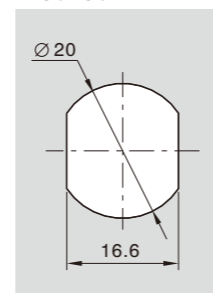
RL



- 材质: 锌合金锁体, 螺母
- 表面处理: 镀亮铬
- 适用门板厚度: 1~10mm;
- Material: Zinc die-casting body, Nut, Zinc plating cam
- Finish: Bright chrome plating
- Panel thickness: 1~10mm

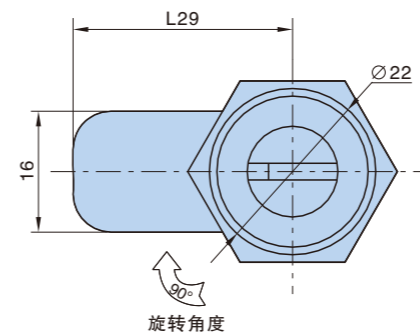
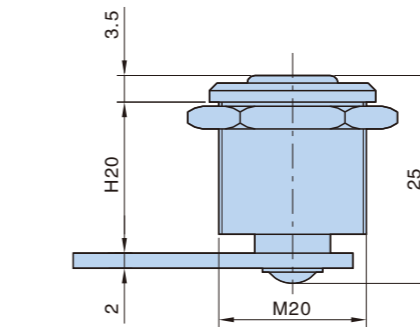


■ 开孔尺寸
Cut Out

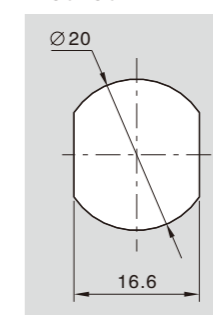


型号 Product no.	产品单重(g) Weight	装箱数 Lot
MS-W400-2A	42	500

安全锁芯转舌锁 Secure Cylinder Cam Lock



■ 开孔尺寸
Cut Out



型号 Product no.	产品单重(g) Weight	装箱数 Lot
MS-W400-2D	67.5	500

MS-W400-2D

RL

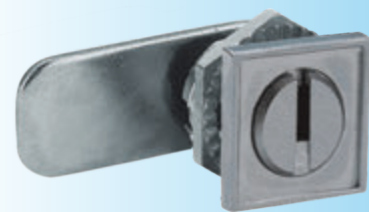


- 材质: 锌合金锁体, 螺母, 镀锌锁片, 铜钥匙
- 表面处理: 镀亮铬
- 适用门板厚度: 1~12mm
- Material: Zinc die-casting body, Nut, Zinc plating cam, Brass key
- Finish: Bright chrome plating

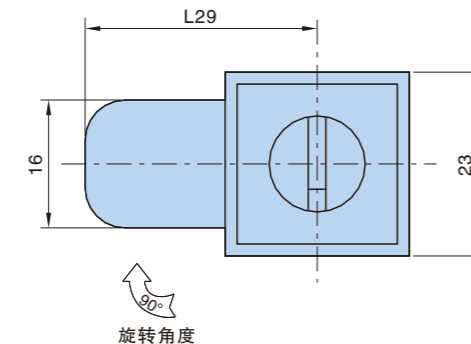
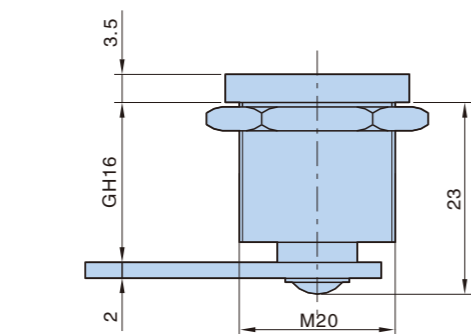
MS-W400-2B

安全锁芯转舌锁 Secure Cylinder Cam Lock

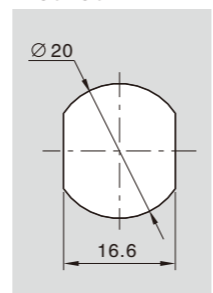
RL



- 材质: 锌合金锁体, 螺母, 镀锌锁片, 铜钥匙
- 表面处理: 喷沙镀铬
- 适用门板厚度: 1~10mm
- Material: Zinc die-casting body, Nut, Zinc plating cam, Brass key
- Panel thickness: 1~10mm
- Finish: Pocked chrome plating

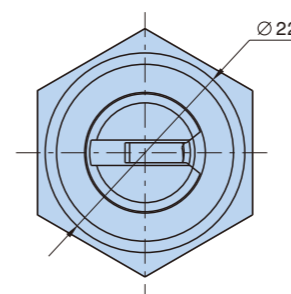
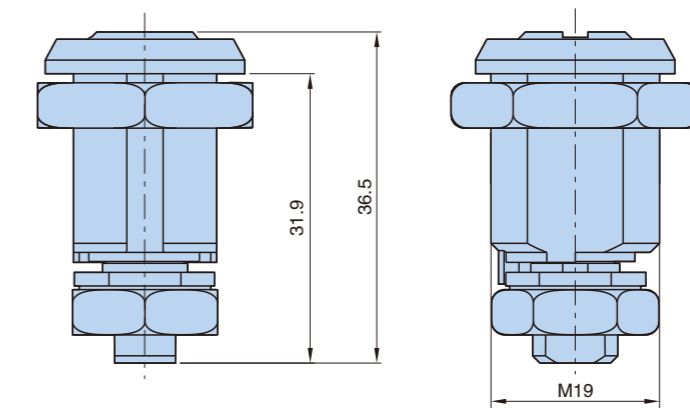


■ 开孔尺寸
Cut Out

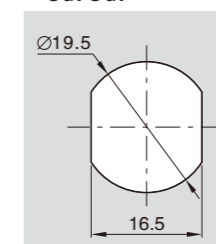


型号 Product no.	产品单重(g) Weight	装箱数 Lot
MS-W400-2B	43.5	500

安全锁芯转舌锁 Secure Cylinder Cam Lock



■ 开孔尺寸
Cut Out



型号 Product no.	产品单重(g) Weight	装箱数 Lot
MS-W400-6	67.5	500

MS-W400-6

RL



- 材质: 锌合金锁壳、锁芯
- 表面处理: 镀亮铬
- 适用门板厚度: 1~12mm
- Material: Zinc die-casting
- Finish: Bright chrome plating
- Panel thickness: 1~12mm

A拉手系列
Handles series

B平面锁系列
Plane lock series

C连杆锁系列
Rod control series

D面板锁系列
Plane lock series

E执手锁系列
Handle lock series

F转舌锁系列
Cam lock series

G铰链系列
Hinge series

H搭扣锁系列
Toggle lock series

I门销系列
Door bolt series

J电子锁系列
Electronic lock series

K密封条系列
Gasketing series

L限位系列
Door stop series

M附件系列
Accessories series

N不锈钢件系列
Stainless steel series

索引
Index

A拉手系列
Handles series

B平面锁系列
Plane lock series

C连杆锁系列
Rod control series

D面板锁系列
Plane lock series

E执手锁系列
Handle lock series

F转舌锁系列
Cam lock series

G铰链系列
Hinge series

H搭扣锁系列
Toggle lock series

I门销系列
Door bolt series

J电子锁系列
Electronic lock series

K密封条系列
Gasketing series

L限位系列
Door stop series

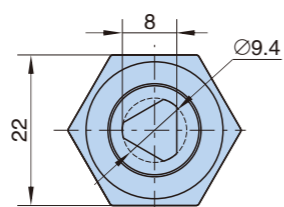
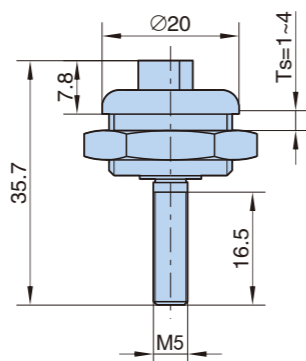
M附件系列
Accessories series

N不锈钢件系列
Stainless steel series

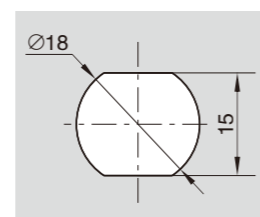
索引
Index

MS426-1-1

工具锁芯转舌锁 Tool Type Cam Lock



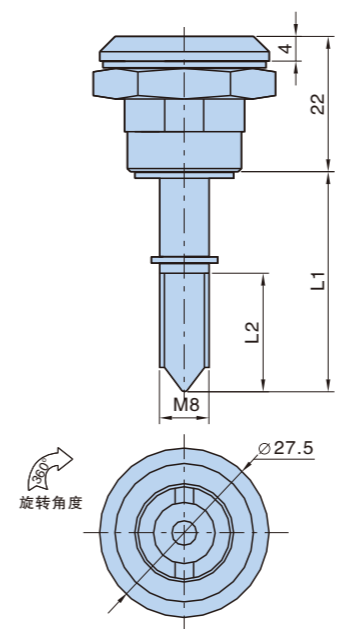
■开孔尺寸
Cut Out



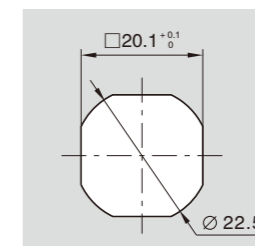
- 材 质: A3锁体, 锁芯, 螺母;
- 表面处理: 镀亮铬
- 适用门板厚度: 1-4mm;
- Material: steel housing, insert, nut
- Finish: Bright chrome plating
- Panel thickness: 1-4mm

型号 Product no.	产品单重(g) Weight	装箱数 Lot
MS426-1-1		

工具锁芯转舌锁 Tool Type Cam Lock



■开孔尺寸
Cut Out



基本尺寸 Dimensions		产品型号及特性 Product Number					
L1	L2	一字锁芯 double bit insert	产品单重(g) Weight	装箱数 Lot	三角锁芯 triangular insert	产品单重(g) Weight	装箱数 Lot
28	18	MS704-1	102	400			
28.5	19.5	MS704-2	120	400			
35.8	19.3	MS704-4	110	400	MS704-3	105	400
37	20.5	MS704-5	103.5	400			

MS704



K7010-11

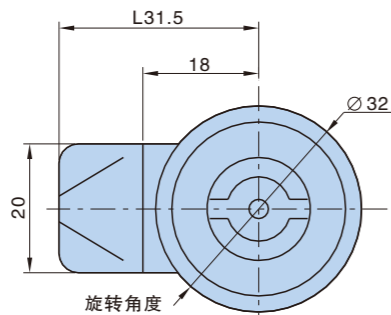
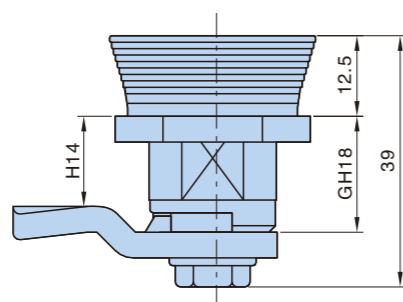
- 材质: 锌合金锁体, 螺母、镀亮铬钢锁芯
- 表面处理: 镀亮铬
- 适用门板厚度: 1-5mm
- Material: Zinc die-casting body, Nut, steel insert
- Finish: Bright chrome plating
- Panel thickness: 1-5mm

MS702

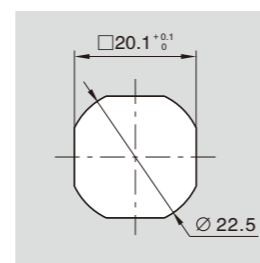
工具锁芯转舌锁 Tool Type Cam Lock



K7010-11



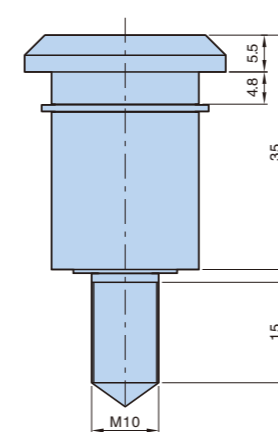
■开孔尺寸
Cut Out



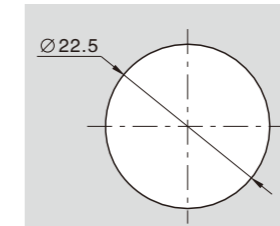
- 材质: 锌合金锁体, 镀锌锁片
- 表面颜色: 蓝绿色, 沙纹黑
- 适用门板厚度: 1-8mm
- Material: Zinc die-casting body Zinc plating cam
- Finish: Bluish green, Matt black powder coated
- Panel thickness: 1-8mm

产品型号及特性 Product Number		产品单重(g) Weight	装箱数 Lot
蓝绿色 Bluish green	MS702.9	91	200
沙纹黑 Matt black powder coated	MS702.4	92	200

工具锁芯转舌锁 Tool Type Cam Lock



■开孔尺寸
Cut Out



型号 Product no.	产品单重(g) Weight	装箱数 Lot
MS707	120	300

MS707



K7010-11

- 材质: 锌合金锁体, 镀锌钢锁芯
- 表面处理: 镀亮铬
- 适用门板厚度: 1-5mm
- Material: Zinc die-casting body zinc plating insert
- Finish: Bright chrome plating
- Panel thickness: 1-5mm

MS705-1

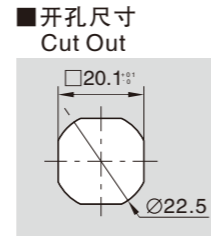
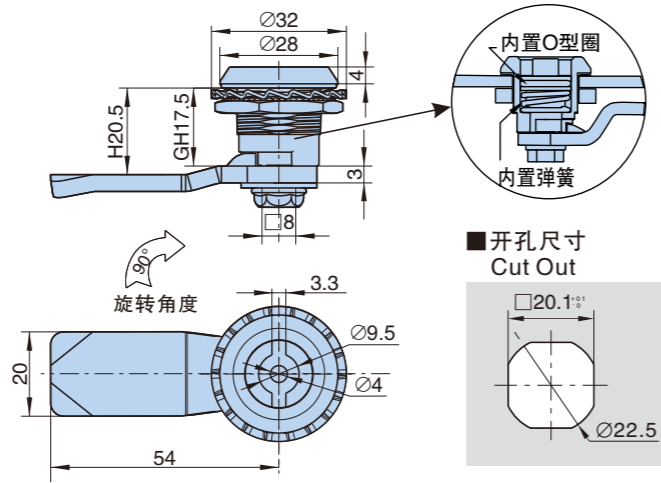
工具锁芯转舌锁 Tool Type Cam Lock



MS705-1-1



MS705-1-2



注：锁芯选配规格如下

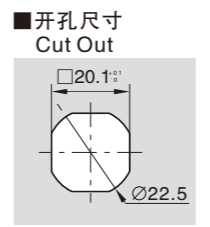
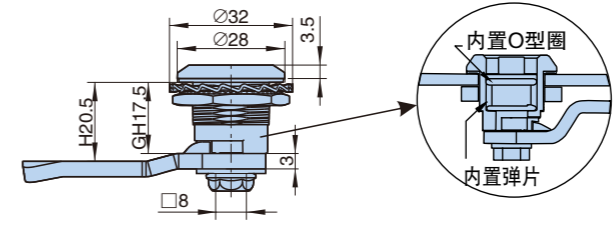
- 2X4直槽芯 2x4 Slot
- 2X4直槽防硬币型 2X4 Slot coin proof
- 一字芯3mm Double Bit 3mm
- 一字芯4mm Double Bit 4mm
- 一字芯4.5mm Double Bit 4.5mm
- 一字芯5mm Double Bit 5mm
- 三角锁芯 7mm Triangular 7mm
- 三角锁芯 8mm Triangular 8mm
- 内四方8mm Female Square 8mm
- 四方锁芯 7mm Square 7mm
- 四方锁芯 8mm Square 8mm
- 四方直槽7mm Square 7mm with slot
- 四方直槽8mm Square 8mm with slot
- 内六角8mm Hexagon female 8mm
- 外六角10mm Hexagon male 10mm
- 内六角8mm带销3mm Hexagon female 8mm with 3mm pin
- 三角带螺丝孔型 Triangular 10mm with M5 screw hole
- 半圆型锁芯 Eastern Europe Ø13

产品型号 Product no.	表面处理 Finish	锁芯类型 Insert type	产品单重(g) Weight	装箱数 Lot
MS705-1-1	镀亮铬 Chrome plating	直槽芯slot insert	80	500
MS705-1-4		2 x 4直槽防硬币型2 x 4 Slot coin proof	可以定制生产	
MS705-1-5		一字芯3mm Double Bit	可以定制生产	
MS705-1-2		一字芯4mm Double Bit	76	500
MS705-1-6		一字芯5mm Double Bit	可以定制生产	
MS705-1-3		S型芯 4.5mm insert	72	500
MS705-1-7		三角7mm Triangular	可以定制生产	
MS705-1-8		三角8mm Triangular	可以定制生产	
MS705-1-9		四方6mm Square	可以定制生产	
MS705-1-10		四方7mm Square	可以定制生产	
MS705-1-11		四方8mm Square	可以定制生产	
MS705-1-12		四方7mm带槽Square 7mm with slot	可以定制生产	
MS705-1-13		四方8mm带槽Square 8mm with slot	可以定制生产	
MS705-1-14		内四方8型Female square 8mm	可以定制生产	
MS705-1-15		内六角8mm Hexagon female 8mm	可以定制生产	
MS705-1-16		内六角9mm Hexagon female 9mm	可以定制生产	
MS705-1-17		内六角10mm Hexagon female 10mm	可以定制生产	
MS705-1-18		内六角8mm带销3mm Hexagon female 8mm with 3mm pin	可以定制生产	
MS705-1-19		外六角10型Hexagon male 10mm	可以定制生产	
MS705-1-20		半圆型锁芯 13 Eastern E urope	13	
MS705-1-21		三角带螺丝孔型 Triangular 10mm with M5 screw hole	可以定制生产	

● 材质:锌合金锁体、镀锌钢钢栓、螺母
 ● 适用门板厚度:1~5mm
 ● 表面处理: 镀亮铬
 ● 备注: 锁片开孔8X8
 ● Material: Zinc die-casting body, nut, Zinc plating cam, fixing parts
 ● Finish: Bright chrome plating
 ● Panel thickness: 1~5m
 ● Remark: cam cutout 8 x 8
 注: 锁片选配规格见附件(锁片) P-M027

工具锁芯转舌锁 Tool Type Cam Lock

MS705-2



注：锁芯选配规格如下

- 2X4直槽芯 2x4 Slot
- 2X4直槽防硬币型 2X4 Slot coin proof
- 一字芯3mm Double Bit 3mm
- 一字芯4mm Double Bit 4mm
- 一字芯4.5mm Double Bit 4.5mm
- 一字芯5mm Double Bit 5mm
- 三角锁芯 7mm Triangular 7mm
- 三角锁芯 8mm Triangular 8mm
- 内四方8mm Female Square 8mm
- 四方锁芯 7mm Square 7mm
- 四方锁芯 8mm Square 8mm
- 四方直槽7mm Square 7mm with slot
- 四方直槽8mm Square 8mm with slot
- 内六角8mm Hexagon female 8mm
- 外六角10mm Hexagon male 10mm
- 内六角8mm带销3mm Hexagon female 8mm with 3mm pin
- 三角带螺丝孔型 Triangular 10mm with M5 screw hole
- 半圆型锁芯 Eastern Europe Ø13

产品型号 Product no.	表面处理 Finish	锁芯类型 Insert type	产品单重(g) Weight	装箱数 Lot
MS705-2-4	镀亮铬 Chrome plating	直槽芯slot insert	可以定制生产	
MS705-2-5		2 x 4直槽防硬币型2 x 4 Slot coin proof	可以定制生产	
MS705-2-6		一字芯3mm Double Bit	可以定制生产	
MS705-2-1		一字芯4mm Double Bit	74.5	500
MS705-2-7		一字芯5mm Double Bit	可以定制生产	
MS705-2-8		S型芯 4.5mm insert	可以定制生产	
MS705-2-9		三角7mm Triangular	可以定制生产	
MS705-2-2		三角8mm Triangular	77	500
MS705-2-10		四方6mm Square	可以定制生产	
MS705-2-11		四方7mm Square	可以定制生产	
MS705-2-3		四方8mm Square	74.5	500
MS705-2-12		四方7mm带槽Square 7mm with slot	可以定制生产	
MS705-2-13		四方8mm带槽Square 8mm with slot	可以定制生产	
MS705-2-14		内四方8型Female square 8mm	可以定制生产	
MS705-2-15		内六角8mm Hexagon female 8mm	可以定制生产	
MS705-2-16		内六角9mm Hexagon female 9mm	可以定制生产	
MS705-2-17		内六角10mm Hexagon female 10mm	可以定制生产	
MS705-2-18		内六角8mm带销3mm Hexagon female 8mm with 3mm pin	可以定制生产	
MS705-2-19		外六角10型Hexagon male 10mm	可以定制生产	
MS705-2-20		半圆型锁芯 13 Eastern E urope	13	
MS705-2-21		三角带螺丝孔型 Triangular 10mm with M5 screw hole	可以定制生产	

● 材质:锌合金锁体、镀锌钢钢栓、螺母
 ● 适用门板厚度:1~5mm
 ● 表面处理: 镀亮铬
 ● 备注: 锁片开孔8X8
 ● Material: Zinc die-casting body, nut, Zinc plating cam, fixing parts
 ● Finish: Bright chrome plating
 ● Panel thickness: 1~5m
 ● Remark: cam cutout 8 x 8
 注: 锁片选配规格见附件(锁片) P-M027

MS705-2S

工具锁芯转舌锁 Tool Type Cam Lock

工具锁芯转舌锁 Tool Type Cam Lock

MS705



MS705-2S-1



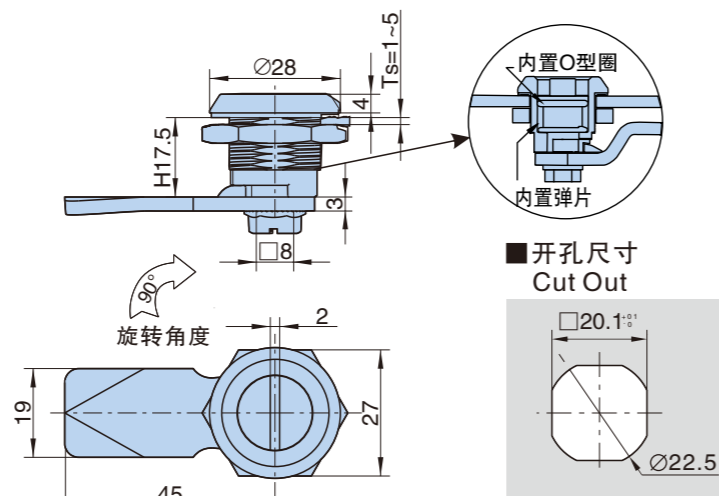
MS705-2S-2



MS705-2S-3

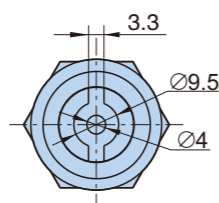


MS705-2S-4

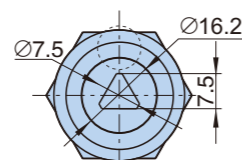


注：锁片选配规格见附件（锁片）

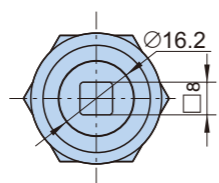
MS705-2S-1



MS705-2S-2

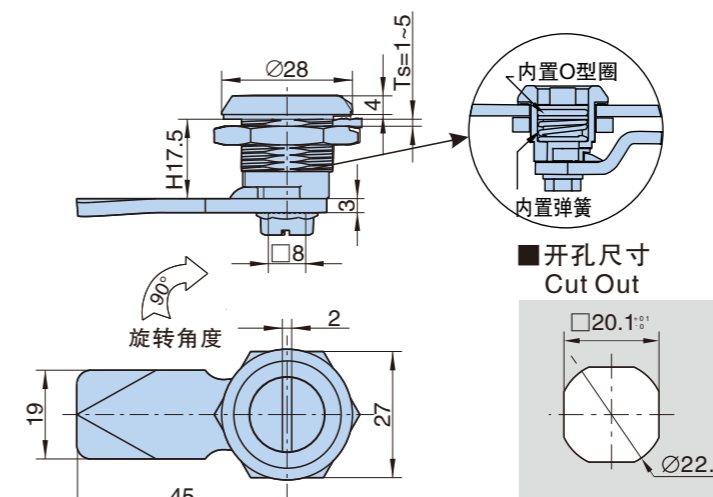


MS705-2S-3



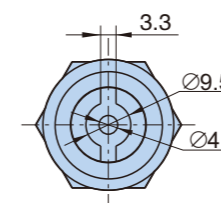
MS705-2S-4

产品型号 Product no.	表面处理 Finish	锁芯形状 Insert	产品单重(g) Weight	装箱数 Lot
MS705-2S-1	不锈钢 Stainless steel	直槽芯 slot insert	86	500
MS705-2S-2		一字芯 double bit insert	80.5	500
MS705-2S-3		三角芯 triangular insert	78	500
MS705-2S-4		四方芯 square insert	80.5	500

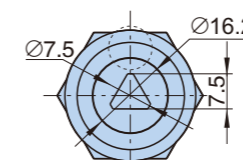


注：锁片选配规格见附件（锁片）

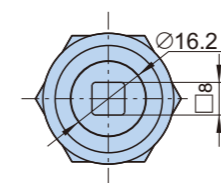
MS705-2S-1A



MS705-2S-2A



MS705-2S-3A



MS705-2S-4A

产品型号 Product no.	表面处理 Finish	锁芯形状 Insert	产品单重(g) Weight	装箱数 Lot
MS705-2S-1A	不锈钢 Stainless steel	直槽芯 slot insert	86	500
MS705-2S-2A		一字芯 double bit insert	80.5	500
MS705-2S-3A		三角芯 triangular insert	78	500
MS705-2S-4A		四方芯 square insert	80.5	500

- 材质：锌合金或不锈钢锁体、螺母，钢锌锁片
 - 适用门板厚度：1~5mm
 - 备注：锁片开孔8X8
 - Material:stainlesssteel lock body are available
 - Panel thickness:1~5mm
 - Remark: cam cutout 8 × 8
- 注：锁片选配规格见附件（锁片）P-M027

- 材质：锌合金或不锈钢锁体、螺母，钢锌锁片
 - 适用门板厚度：1~5mm
 - 备注：锁片开孔8X8
 - Material:stainlesssteel lock body are available
 - Panel thickness:1~5mm
 - Remark: cam cutout 8 × 8
- 注：锁片选配规格见附件（锁片）P-M027

MS706-2



MS706-2-1



MS706-2-2



MS706-2-3



MS706-2-4



MS706-2-5

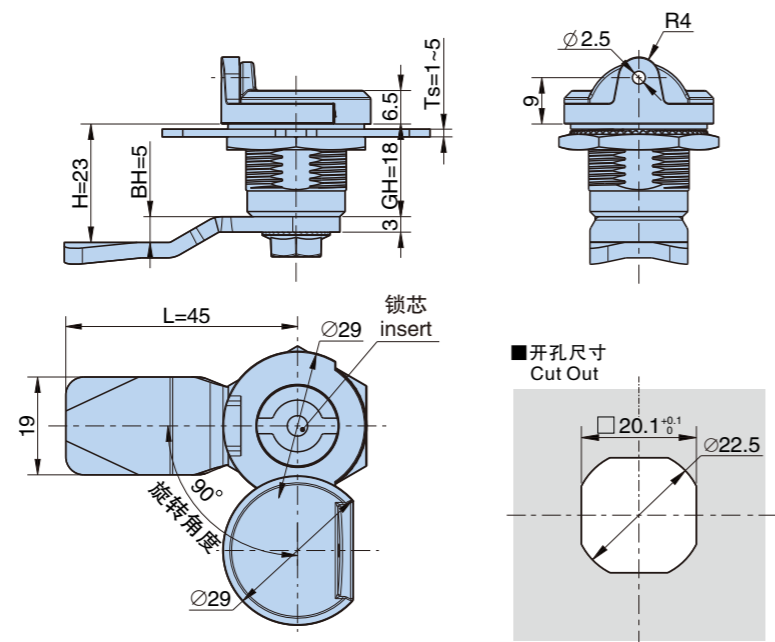


MS706-2-6

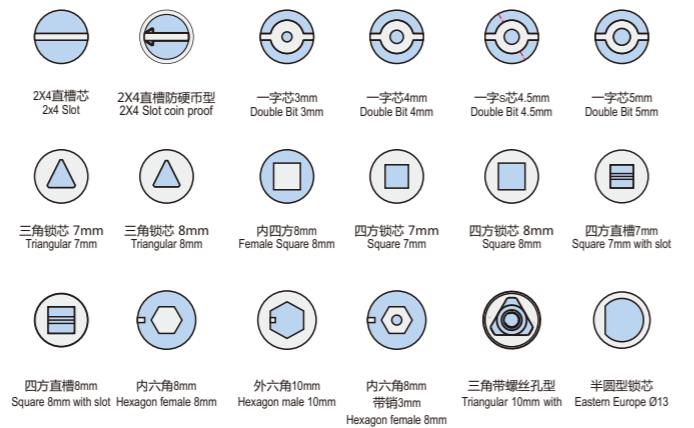


- 材质: 锌合金锁体, 螺母, 钥匙, 镀锌锁片
 - 表面处理: 喷沙镀铬
 - 适用门板厚度: 1~5mm
 - 备注: 锁片开孔8X8
 - Material: Zinc die-casting body, Nut and key, Zinc plating cam
 - Finish: Pocked chrome plating
 - Panel thickness: 1~5mm
 - Remark: cam cutout 8 x 8
- 注: 锁片选配规格见附件(锁片)P-M027

工具锁芯转舌锁 Tool Type Cam Lock

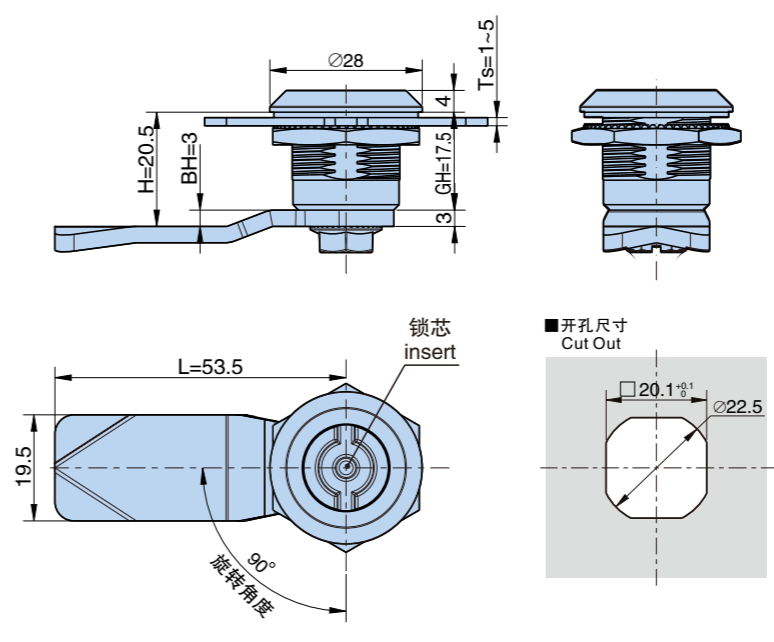


注: 锁芯选配规格如下

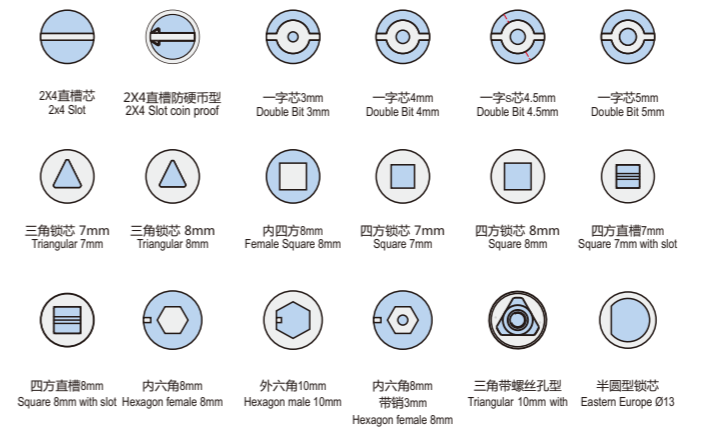


产品型号 Product no.	表面处理 Finish	锁芯类型 Insert type	产品单重(g) Weight	装箱数 Lot
MS706-2-6	喷沙镀铬 Pocked chrome plating	直槽芯 slot insert	86.5	200
MS706-2-7		2 x 4 直槽防硬币型 2 x 4 Slot coin proof	可以定制生产	
MS706-2-8		一字芯 3mm Double Bit	可以定制生产	
MS706-2-1		一字芯 4mm Double Bit	83.5	200
MS706-2-9		一字芯 5mm Double Bit	可以定制生产	
MS706-2-10		S型芯 4.5mm insert	可以定制生产	
MS706-2-3		三角 7mm Triangular	80	200
MS706-2-2		三角 8mm Triangular	80	200
MS706-2-11		四方 6mm Square	可以定制生产	
MS706-2-5		四方 7mm Square	80.5	200
MS706-2-4		四方 8mm Square	80.5	200
MS706-2-12		四方 7mm 带槽 Square 7mm with slot	可以定制生产	
MS706-2-13		四方 8mm 带槽 Square 8mm with slot	可以定制生产	
MS706-2-14		内四方 8型 Female square 8mm	可以定制生产	
MS706-2-15		内六角 8mm Hexagon female 8mm	可以定制生产	
MS706-2-16		内六角 9mm Hexagon female 9mm	可以定制生产	
MS706-2-17		内六角 10mm Hexagon female 10mm	可以定制生产	
MS706-2-18		内六角 8mm 带销 3mm Hexagon female 8mm with 3mm pin	可以定制生产	
MS706-2-19		外六角 10型 Hexagon male 10mm	可以定制生产	
MS706-2-20		半圆型锁芯 13 Eastern Europe 13	可以定制生产	
MS706-2-21		三角带螺丝孔型 Triangular 10mm with M5 screw hole	可以定制生产	

工具锁芯转舌锁 Tool Type Cam Lock



注: 锁芯选配规格如下



产品型号 Product no.	表面处理 Finish	锁芯类型 Insert type	产品单重(g) Weight	装箱数 Lot
MS706-3-6	镀铬 Chrome plating	直槽芯 slot insert	77.5	200
MS706-3-7		2 x 4 直槽防硬币型 2 x 4 Slot coin proof	可以定制生产	
MS706-3-8		一字芯 3mm Double Bit	可以定制生产	
MS706-3-1		一字芯 4mm Double Bit	75	200
MS706-3-9		一字芯 5mm Double Bit	可以定制生产	
MS706-3-10		S型芯 4.5mm insert	可以定制生产	
MS706-3-3		三角 7mm Triangular	72	200
MS706-3-2		三角 8mm Triangular	72	200
MS706-3-11		四方 6mm Square	可以定制生产	
MS706-3-5		四方 7mm Square	72	200
MS706-3-4		四方 8mm Square	72.5	200
MS706-3-12		四方 7mm 带槽 Square 7mm with slot	可以定制生产	
MS706-3-13		四方 8mm 带槽 Square 8mm with slot	可以定制生产	
MS706-3-14		内四方 8型 Female square 8mm	可以定制生产	
MS706-3-15		内六角 8mm Hexagon female 8mm	可以定制生产	
MS706-3-16		内六角 9mm Hexagon female 9mm	可以定制生产	
MS706-3-17		内六角 10mm Hexagon female 10mm	可以定制生产	
MS706-3-18		内六角 8mm 带销 3mm Hexagon female 8mm with 3mm pin	可以定制生产	
MS706-3-19		外六角 10型 Hexagon male 10mm	可以定制生产	
MS706-3-20		半圆型锁芯 13 Eastern Europe 13	可以定制生产	
MS706-3-21		三角带螺丝孔型 Triangular 10mm with M5 screw hole	可以定制生产	

MS706-3



MS706-3-1



MS706-3-2



MS706-3-3



MS706-3-4



MS706-3-5



MS706-3-6



- 材质: 锌合金锁体, 镀锌钢钢栓、螺母
 - 适用门板厚度: 1~5mm
 - 表面处理: 镀铬
 - 备注: 锁片开孔8X8
 - Material: Zinc die-casting body, nut, Zinc plating cam, fixing parts
 - Finish: Bright chrome plating
 - Panel thickness: 1~5mm
 - Remark: cam cutout 8 x 8
- 注: 锁片选配规格见附件(锁片)P-M027

MS705-3

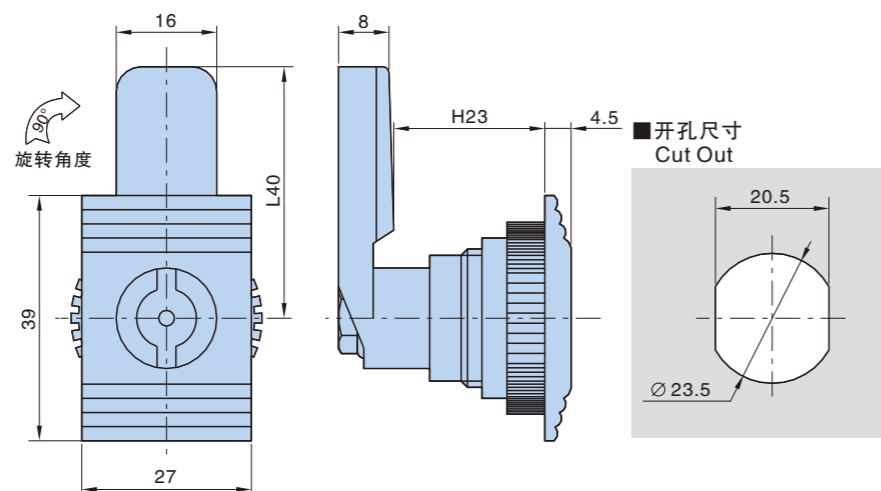
工具锁芯转舌锁 Tool Type Cam Lock



K7010-12

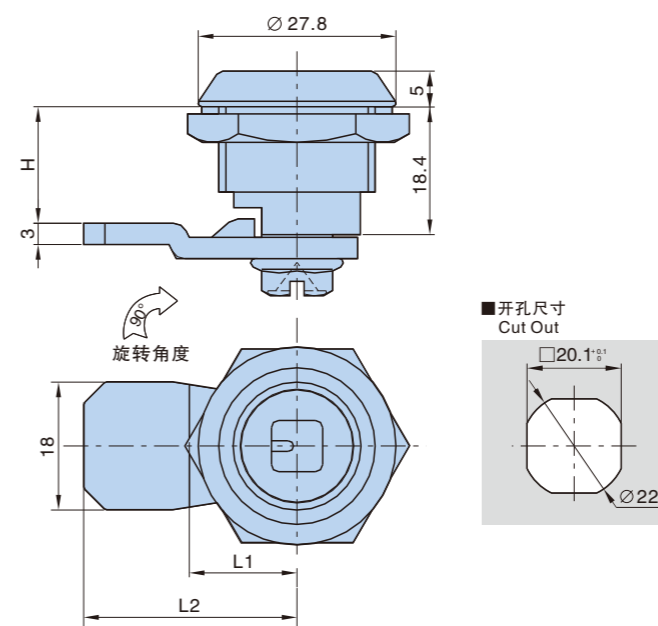
MS705-3

- 材质: 塑料锁体、螺母、钥匙
- 表面颜色: 灰白, 黑色
- 适用门板厚度: 1.5~2mm
- Material: Plastic lock body, nut, key
- Finish: grey, black
- Panel thickness: 1.5~2mm



型号 Product no.	产品单重(g) Weight	装箱数 Lot
MS705-3	31.5	200

工具锁芯转舌锁 Tool Type Cam Lock



基本尺寸 Dimensions		产品型号及特性 Product Number													
锁片类别 cam types	H	L1	L2	灰绿色 Sage green					无光黑 Black powder coated						
				四方芯 Square insert	产品 单重(g) Weight	装箱 数 Lot	一字芯 Double bit insert	产品 单重(g) Weight	装箱 数 Lot	四方芯 Square insert	产品 单重(g) Weight	装箱 数 Lot	一字芯 Double bit insert	产品 单重(g) Weight	装箱 数 Lot
折高2片 Height=2	16.4	15	30	MS705-5 -4.9	112	300	MS705-5 -2.9	115	300	MS705-5 -4.3	112	300	MS705-5 -2.3	115	300
折高32.5片 Height=32.5	51	22.5	34	MS705-5 -3.9	120	300	MS705-5 -1.9	125	300	MS705-5 -3.3	120	300	MS705-5 -1.3	125	300

MS705-5



MS705-5-2

- 材质: 锌合金锁体, 镀锌螺母、锁片
- 表面处理: 灰绿色, 无光黑
- 适用门板厚度: 1~5mm
- Material: Zinc die-casting body
Zinc plating cam
- Finish: Sage green
Black powder coated
- Panel thickness: 1~5mm

MS705-4

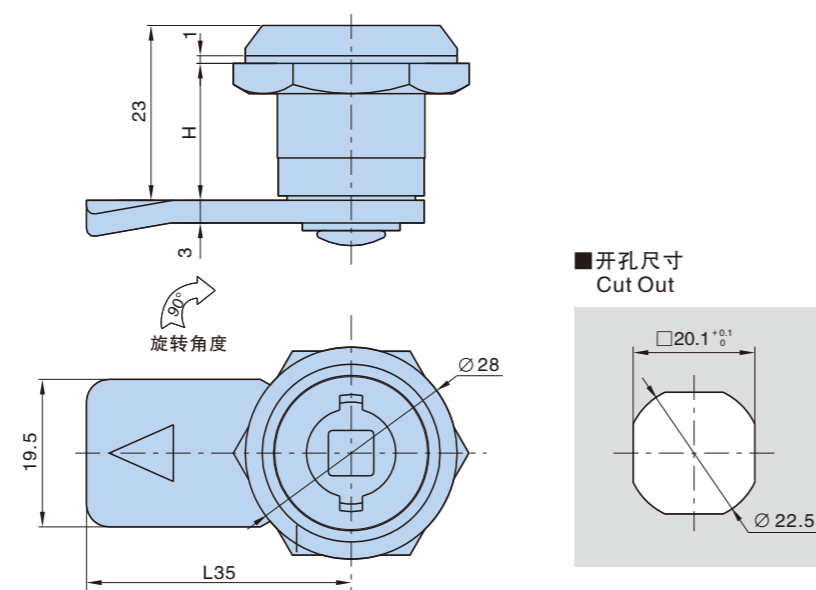
工具锁芯转舌锁 Tool Type Cam Lock



K7040-07

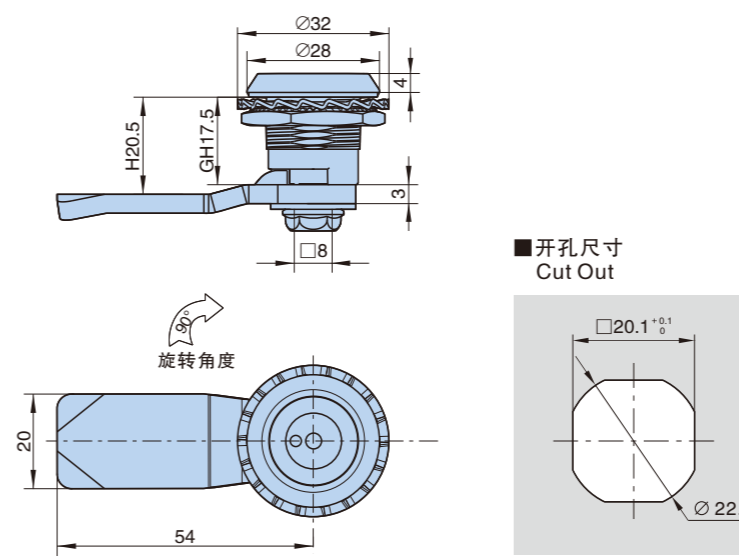
MS705-4-1

- 材质: 锌合金锁体, 镀锌螺母、锁片
- 适用门板厚度: 1~5mm
- 表面处理: 镀亮铬
- Material: Zinc die-casting body
Zinc plating cam, nut;
- Finish: Bright chrome plating
- Panel thickness: 1~5mm



基本尺寸 Dimensions	产品型号 Product no.	产品单重(g) Weight	装箱数 Lot
H			
18	MS705-4-1	46.5	300
35	MS705-4-2	75	300
42	MS705-4-3	95	300

工具锁芯转舌锁 Tool Type Cam Lock



注: 锁片选配规格见附件(锁片)

型号 Product no.	产品单重(g) Weight	装箱数 Lot
MS705-7	108.7	500

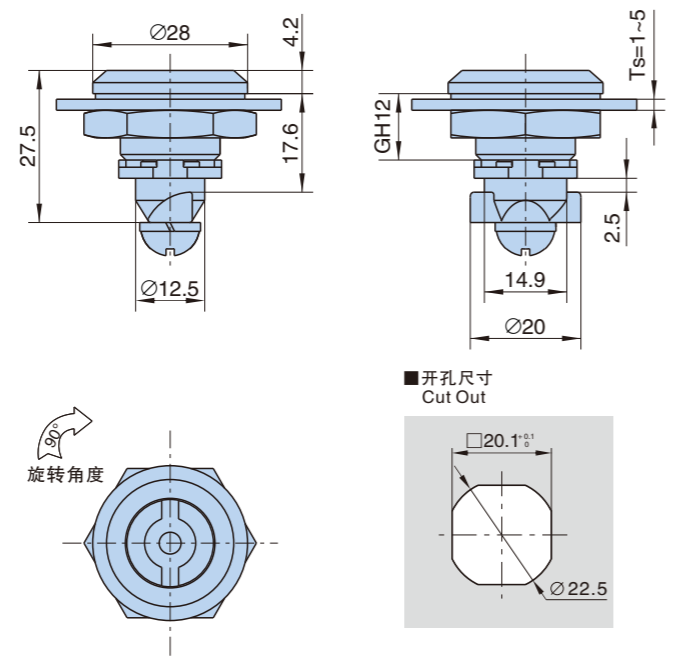
MS705-7



- 材质: 锌合金锁体, 螺母、碳钢锁片
- 适用门板厚度: 1~5mm
- 表面处理: 镀亮铬
- Material: Zinc die-casting body
Zinc plating cam, nut;
- Finish: Bright chrome plating
- Panel thickness: 1~5mm

MS705-8-1

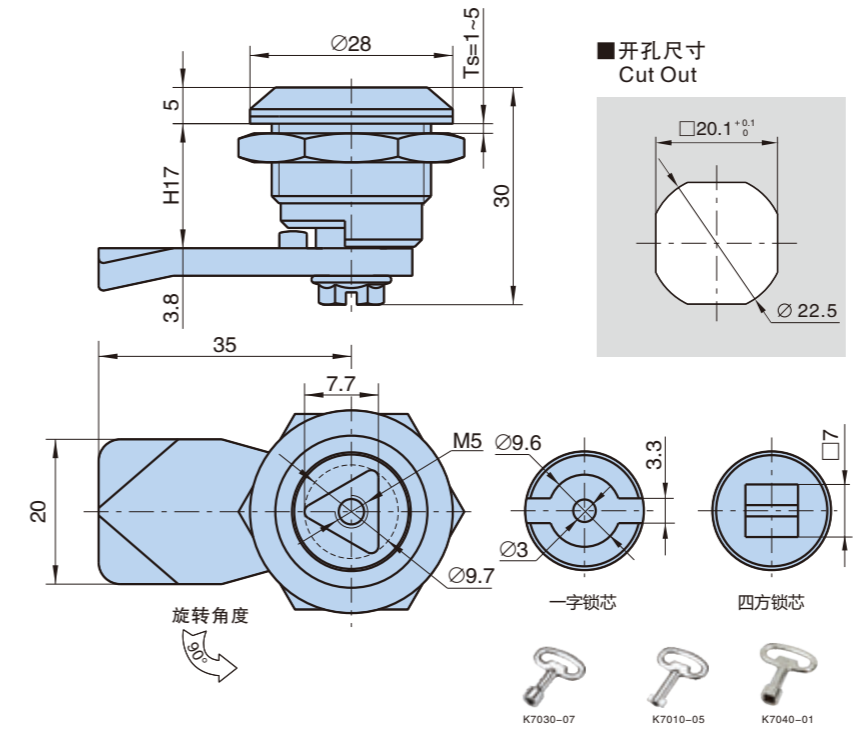
工具锁芯转舌锁 Tool Type Cam Lock



- 材质: 锌合金锁壳, 锁芯。
- 表面处理: 喷无光黑
- 适用门板厚度: 1~5
- Material: zinc alloy housing and cylinder.
- Finish: matt black.
- Panel thickness: 1~5mm.

型号 Product no.	产品单重(g) Weight	装箱数 Lot
MS705-8-1	50.3	500

工具锁芯转舌锁 Tool Type Cam Lock



锁芯形状 Insert	型号 Product no.	产品单重(g) Weight	装箱数 Lot
一字芯 double bit insert	MS720-1-2	130	300
三角芯 triangular insert $\triangle 10.2$	MS720-1-3	120	300
四方芯 square insert $\square 7$	MS720-1-4	125	300

MS720



MS720-1-2

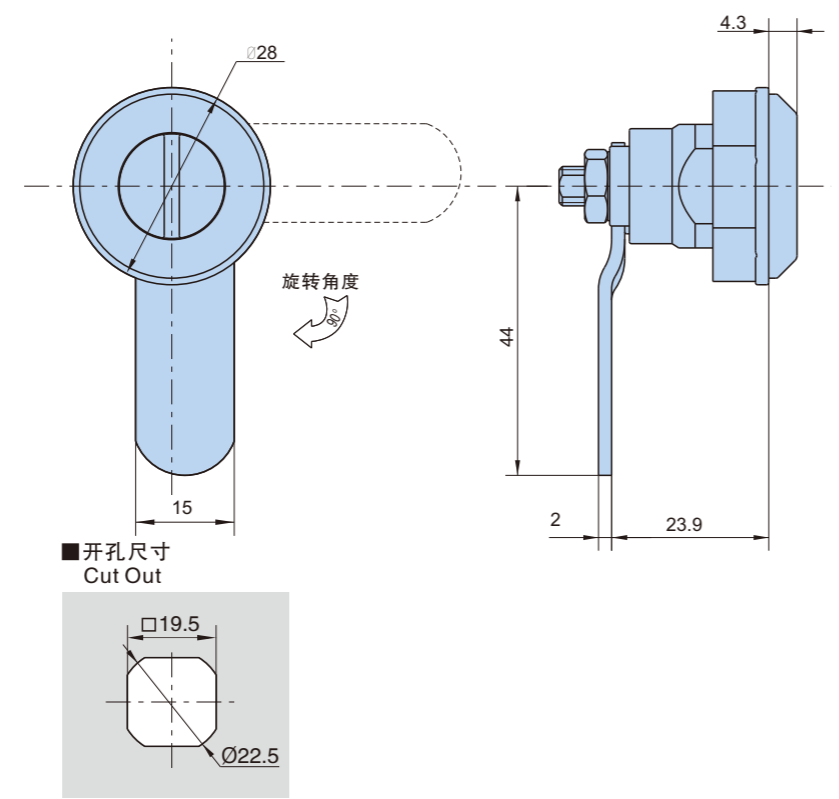


MS720-1-3

- 材质: 锌合金锁体、
- 镀锌钢钢栓、螺母
- 适用门板厚度: 1~5mm
- 表面处理: 镀铬亮
- 备注: 锁片开孔8X8
- Material: Zinc die-casting body, nut, Zinc plating cam, fixing parts
- Finish: Bright chrome plating
- Panel thickness: 1~5mm
- Remark: cam cutout $\square 8 \times 8$

MS7060P-2-1

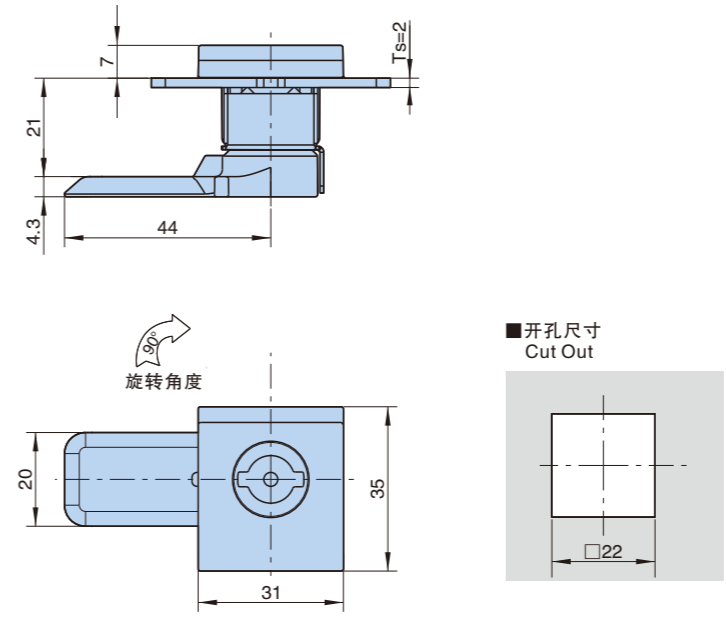
工具锁芯转舌锁 Tool Type Cam Lock



- 材质: PA6锁壳, 锌合金锁芯, 不锈钢锁片
- 表面颜色: 黑色
- 适用门板厚度: 1~4mm
- Material: PA6 lock housing, zinc alloy lock cylinder stainless steel locking plate
- Finish: black
- Panel thickness : 1~4mm

型号 Product no.	产品单重(g) Weight	装箱数 Lot
MS7060P-2-1	43	500

工具锁芯转舌锁 Tool Type Cam Lock



型号 Product no.	产品单重(g) Weight	装箱数 Lot
MS7076Z-1-1	110.5	200

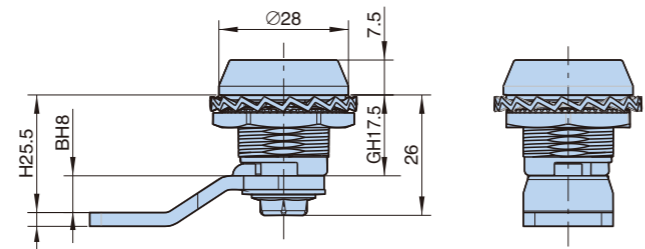
MS7076Z-1-1



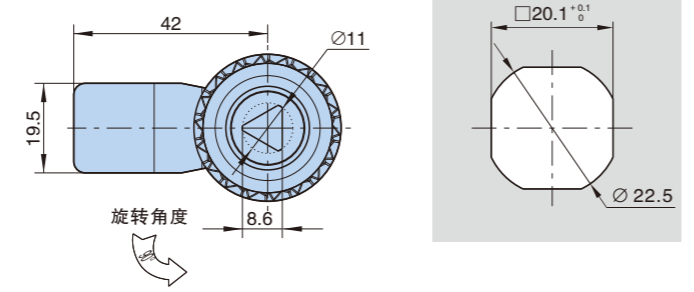
- 材质: 锌合金锁壳, 锁芯, 锁舌, A3安装板,
- 表面处理: 喷塑(无光黑)锁壳, 镀铬亮锁芯, 配件镀三价五彩
- 结构功能: 锁芯旋转90° 开启或锁闭, 更换安装板, 锁舌安装方向可实现左右开门
- 备注: 适用门板厚度2mm
- Material: Zinc alloy
- Finish: Black powder coated housing, Bright chrome plated insert.
- Panel thickness: 2mm

MS7077Z-1-1

工具锁芯转舌锁 Tool Type Cam Lock



■开孔尺寸
Cut Out

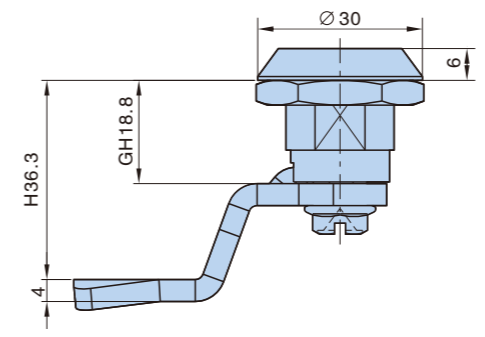


- 材质: 锌合金锁壳, 螺母, 铜锁芯, A3锁片,
- 表面处理: 镀亮铬锁壳, 铜本色锁芯, 配件镀三价五彩
- 结构功能: 钥匙旋转90° 开启或锁闭,
- 备注: 适用门板厚度1~4mm
- Material: Zinc alloy housing, nut, brass insert; steel cam
- Finish: Bright chrome plating
- Panel thickness: 1~4mm

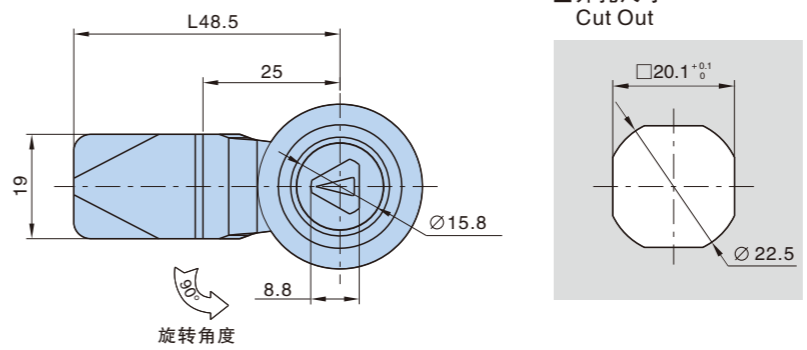
型号 Product no.	产品单重(g) Weight	装箱数 Lot
MS7077Z-1-1	89.5	500

工具锁芯转舌锁 Tool Type Cam Lock

MS724



■开孔尺寸
Cut Out



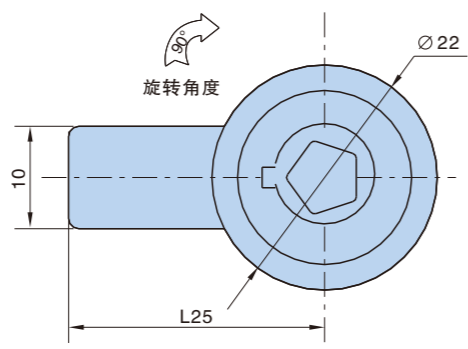
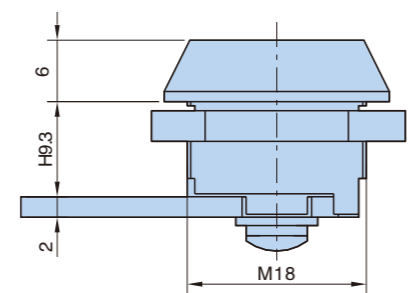
K7030-10

- 材质: 锌合金锁体, 螺母, 钥匙, 镀锌锁片
- 表面处理: 镀亮铬
- 适用门板厚度: 1~5mm
- Material: Zinc die-casting body, nut and key, Zinc plating cam
- Finish: Bright chrome plating
- Panel thickness: 1~5mm

型号 Product no.	产品单重(g) Weight	装箱数 Lot
MS724	84	200

MS708-1-1

工具锁芯转舌锁 Tool Type Cam Lock



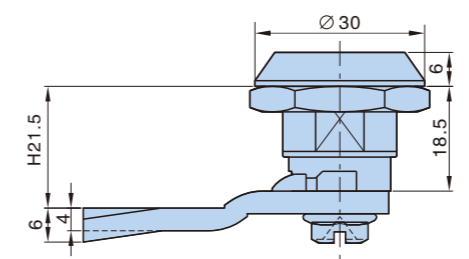
■开孔尺寸
Cut Out

- 材质: 锌合金锁体, 钥匙, 螺母, 镀锌锁片
- 表面处理: 镀亮铬
- 适用门板厚度: 1~4mm
- Material: Zinc die-casting body key and nut, Zinc plating cam
- Finish: Bright chrome plating
- Panel thickness: 1~4mm

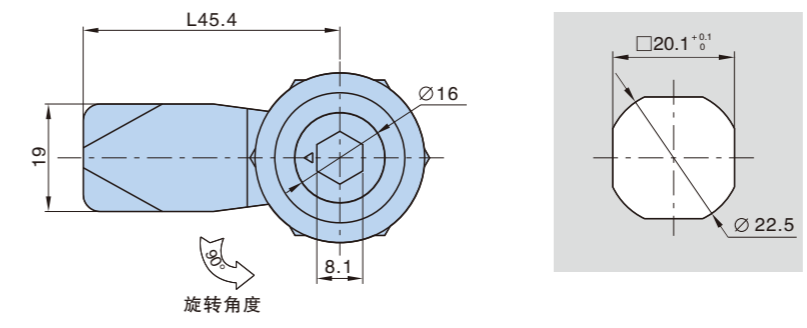
型号 Product no.	产品单重(g) Weight	装箱数 Lot
MS708-1-1	45.6	500

工具锁芯转舌锁 Tool Type Cam Lock

MS725



■开孔尺寸
Cut Out

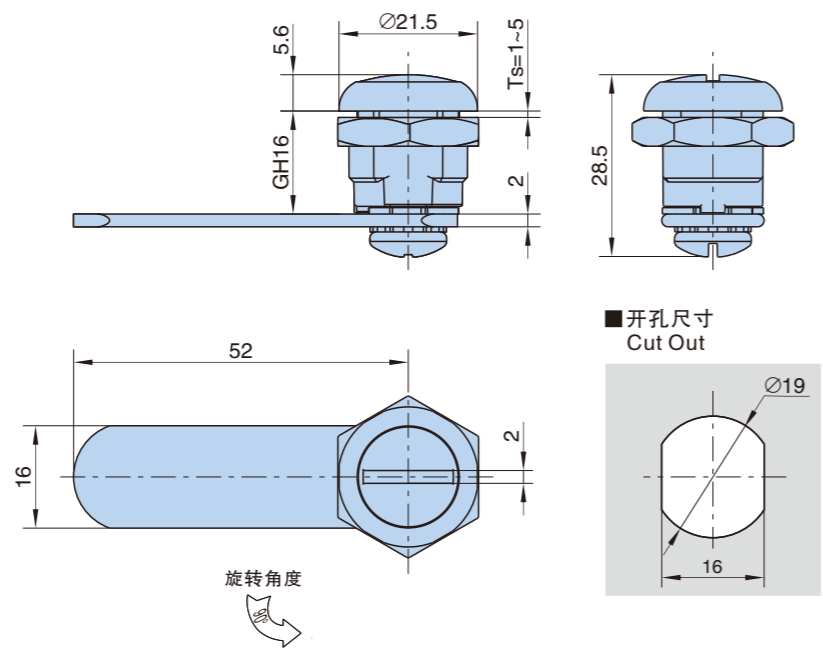


- 材质: 锌合金锁体, 螺母, 钥匙, 镀锌锁片
- 表面处理: 喷无光黑
- 适用门板厚度: 1~5mm
- Material: Zinc die-casting body, nut and key, Zinc plating cam
- Finish: Black powder coated
- Panel thickness: 1~5mm

型号 Product no.	产品单重(g) Weight	装箱数 Lot
MS725	91	300

MS7074Z-1-1

工具锁芯转舌锁 Tool Type Cam Lock



- 材质: 锌合金锁壳, 锁芯, 碳钢锁片
- 表面处理: 镀亮铬
- 适用门板厚度: 1~5
- Material: Zinc die-casting body steel cam
- Finish: Bright chrome plating
- Panel thickness: 1~5mm

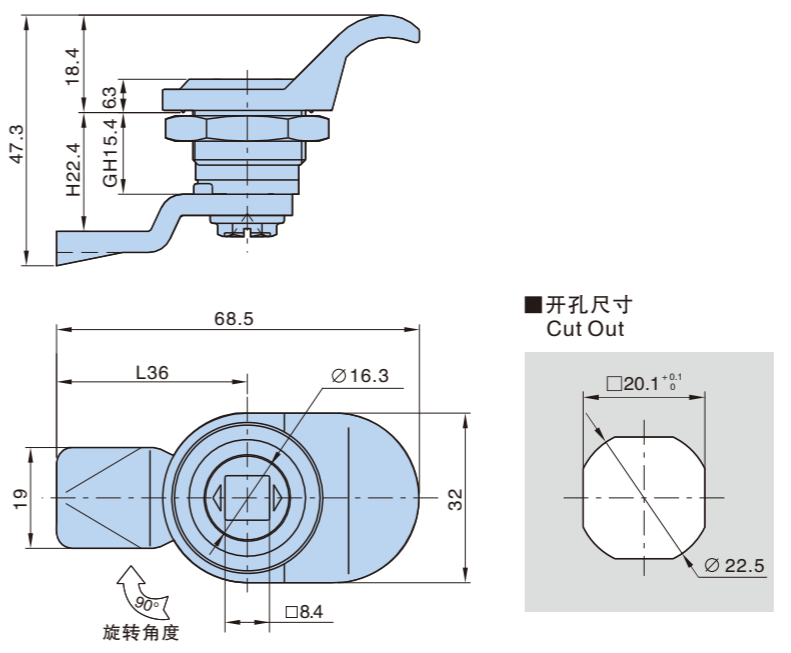
型号 Product no.	产品单重(g) Weight	装箱数 Lot
MS7074Z-1-1	48.5	

工具锁芯转舌锁 Tool Type Cam Lock

MS711-2-1



K7040-05

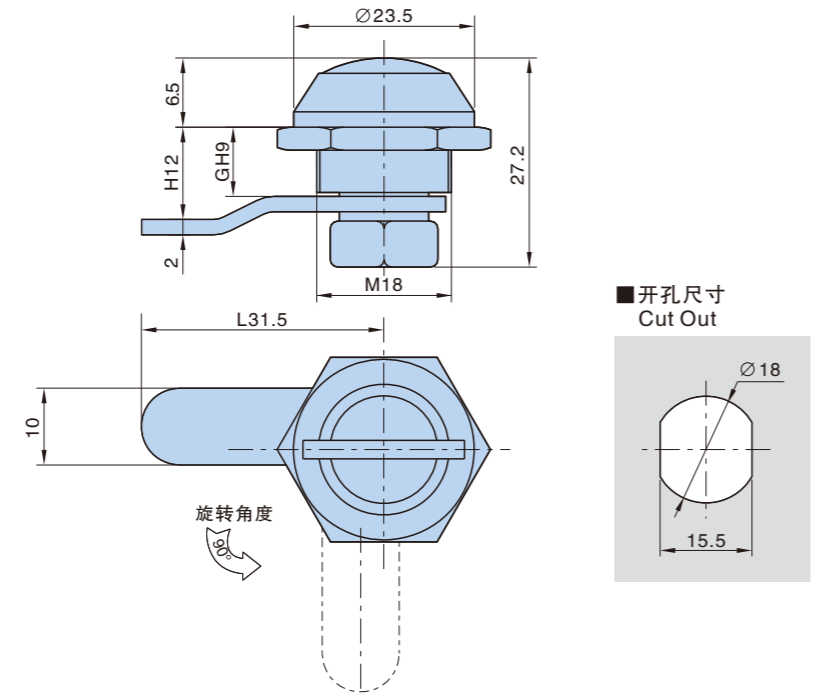


- 材质: 锌合金锁体, 螺母, PA手柄, 镀锌锁片
- 表面处理: 喷无光黑
- 适用门板厚度: 1~8mm
- Material: Zinc die-casting body Nut, PA pull-tab, Zinc plating cam
- Finish: Black powder coated
- Panel thickness: 1~8mm

型号 Product no.	产品单重(g) Weight	装箱数 Lot
MS711-2-1	76	300

MS710

工具锁芯转舌锁 Tool Type Cam Lock

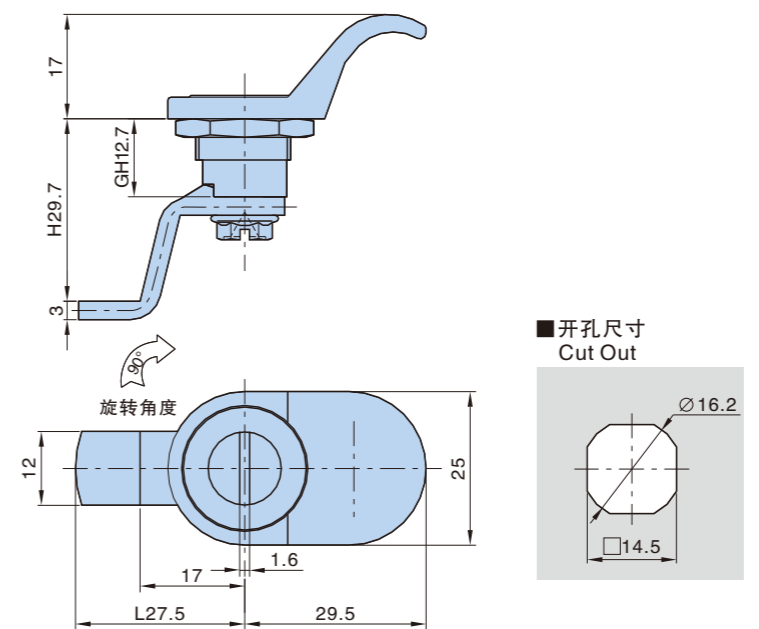


- 材质: 锌合金锁体, 镀锌钢螺母、钥匙
- 表面处理: 镀亮铬
- 适用门板厚度: 0.5~4mm
- Material: Zinc die-casting body steel nut and key
- Finish: Bright chrome plating
- Panel thickness: 0.5~4mm

型号 Product no.	产品单重(g) Weight	装箱数 Lot
MS710	48	500

工具锁芯转舌锁 Tool Type Cam Lock

MS711-3-1



- 材质: 锌合金锁体, 螺母PA手柄, 镀锌锁片
- 表面处理: 喷无光黑
- 适用门板厚度: 1~4mm
- Material: Zinc die-casting body, Nut, PA pull-tab, Zinc plating cam
- Finish: Black powder coated
- Panel thickness: 1~4mm

型号 Product no.	产品单重(g) Weight	装箱数 Lot
MS711-3-1	34.5	300

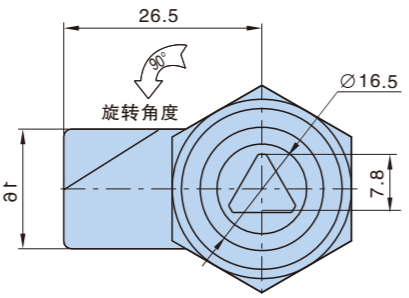
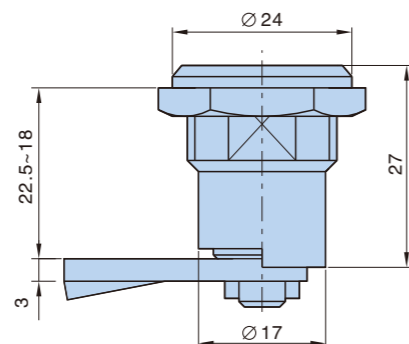
MS713-3

工具锁芯转舌锁 Tool Type Cam Lock

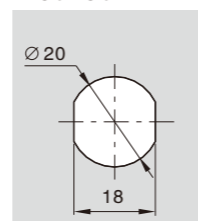


K7030-07

- 材质: 锌合金锁体, 镀锌锁片
- 表面处理: 镀亮铬
- 适用门板厚度: 1~5mm;
- 备注: 压缩式门锁, 压缩量为3mm
- Material: Zinc die-casting body, Zinc plating cam
- Finish: Bright chrome plating
- Panel thickness: 1~5mm
- Remark: compression lock, 3mm pull up



■ 开孔尺寸
Cut Out



产品型号及特性 Product Number		产品单重(g) Weight	装箱数 Lot
直槽芯 Slot insert	MS713-1	42	200
三角芯 Triangular insert	MS713-3	44.5	200

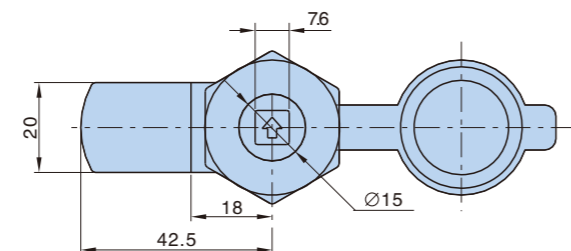
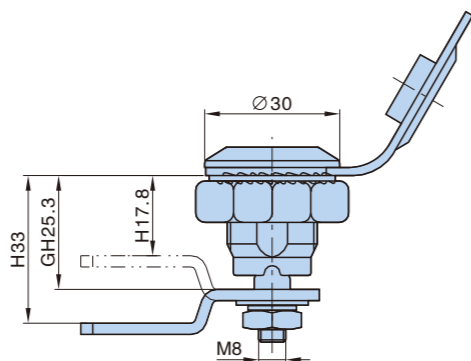
MS717-4

工具锁芯转舌锁 Tool Type Cam Lock

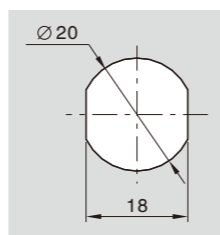


K7040-01

- 材质: 锌合金锁体, 螺母、钥匙, 镀锌锁片
- 表面处理: 喷无光黑
- 适用门板厚度: 1~5mm
- 备注: 防钢栓脱落结构
- Material: Zinc die-casting body, Nut and Key, Zinc plating cam
- Finish: Black powder coated
- Panel thickness: 1~5mm



■ 开孔尺寸
Cut Out



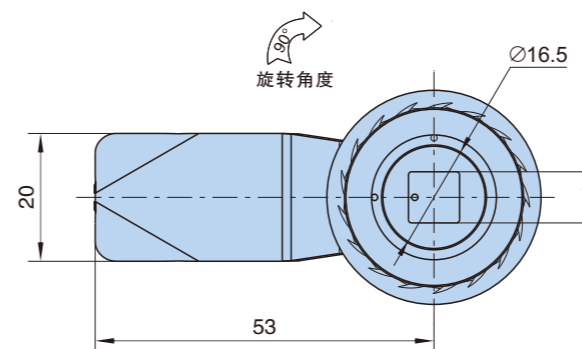
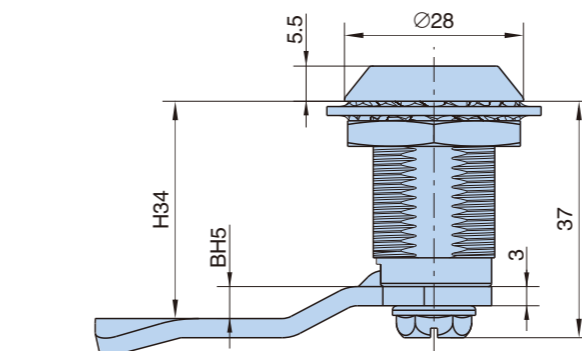
注: 任意方向90度定位

产品型号及特性 Product Number		产品单重(g) Weight	装箱数 Lot
四方芯 Square insert	MS717-4	88	200
三角芯 Triangular insert	MS717-3	83	200

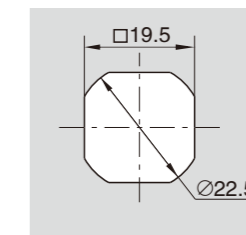
F043

恒珠柜锁 电话(TEL):0795-2119999, 3256555 E-mail: admin@hengzhu.com

工具锁芯转舌锁 Tool Type Cam Lock

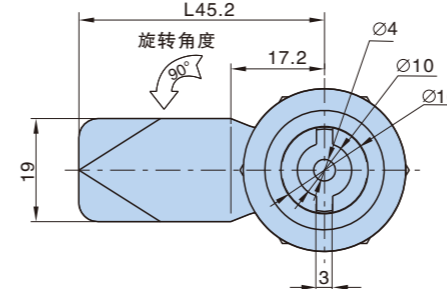
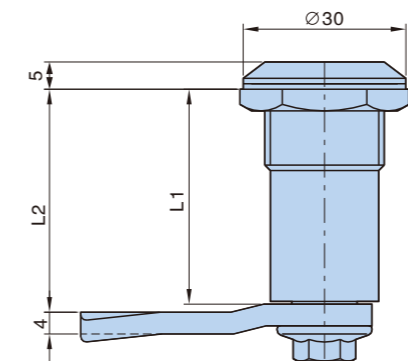


■ 开孔尺寸
Cut Out

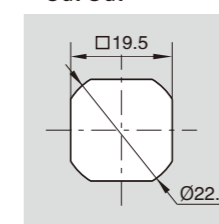


型号 Product no.	产品单重(g) Weight	装箱数 Lot
MS7064Z-1-1	78	200

工具锁芯转舌锁 Tool Type Cam Lock



■ 开孔尺寸
Cut Out



基本尺寸 Dimensions		型号 Product no.	产品单重(g) Weight	装箱数 Lot
L1	L2			
39.5	41	MS719-1	192	200
37.5	39	MS719-2	159.5	200

恒珠柜锁 电话(TEL):0795-2119999, 3256555 E-mail: admin@hengzhu.com

MS7064Z-1-1



- 材质: 锌合金锁体, 锁芯, 碳钢锁片
- 表面处理: 镀亮铬
- 适用门板厚度: 1~5mm
- Material: Zinc die-casting body and insert steel cam
- Finish: Bright chrome plating
- Panel thickness: 1~5mm

MS719-1



K7010-14

- 材质: 锌合金锁体, 螺母, 镀锌钢垫圈、锁片
- 表面处理: 镀亮铬
- 适用门板厚度: 1~5mm
- Material: Zinc die-casting body, Nut, Zinc plating cam
- Finish: Bright chrome plating
- Panel thickness: 1~5mm

F044

A拉手系列 Handles series

B平面锁系列 Plane lock series

C连杆锁系列 Rod control series

D面板锁系列 Plane lock series

E执手锁系列 Handle lock series

F转舌锁系列 Cam lock series

G铰链系列 Hinge series

H搭扣锁系列 Toggle lock series

I门销系列 Door bolt series

J电子锁系列 Electronic lock series

K密封条系列 Gasketing series

L限位系列 Door stop series

M附件系列 Accessories series

N不锈钢件系列 Stainless steel series

索引 Index

A拉手系列 Handles series

B平面锁系列 Plane lock series

C连杆锁系列 Rod control series

D面板锁系列 Plane lock series

E执手锁系列 Handle lock series

F转舌锁系列 Cam lock series

G铰链系列 Hinge series

H搭扣锁系列 Toggle lock series

I门销系列 Door bolt series

J电子锁系列 Electronic lock series

K密封条系列 Gasketing series

L限位系列 Door stop series

M附件系列 Accessories series

N不锈钢件系列 Stainless steel series

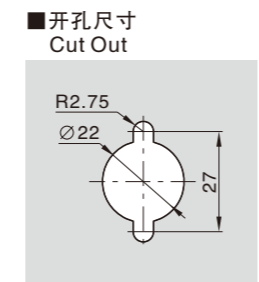
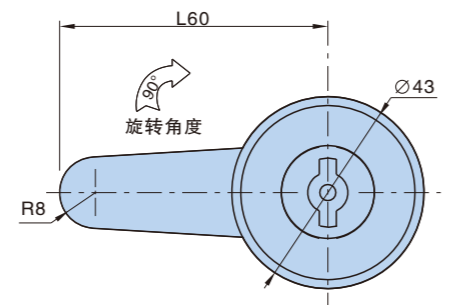
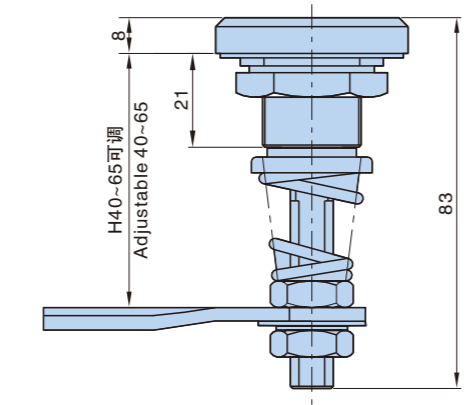
索引 Index

MS518

工具锁芯转舌锁 Tool Type Cam Lock



- 材质: 锌合金锁体、螺母, 镀锌钢垫圈、锁片
- 表面处理: 镀亮铬
- 适用门板厚度: 1~15mm
- Material: Zinc die-casting body Nut, Zinc plating cam, washer
- Finish: Bright chrome plating
- Panel thickness: 1~15mm.



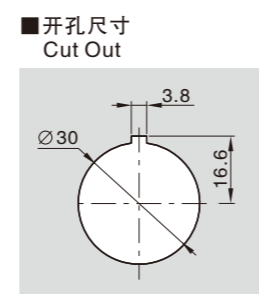
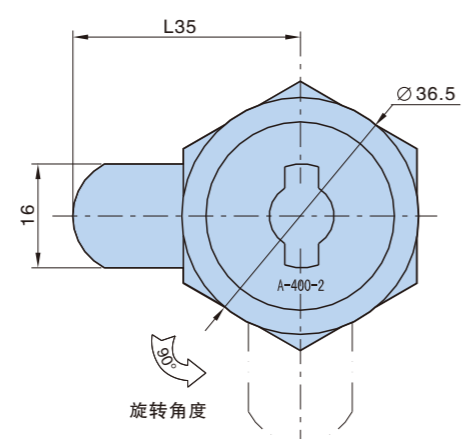
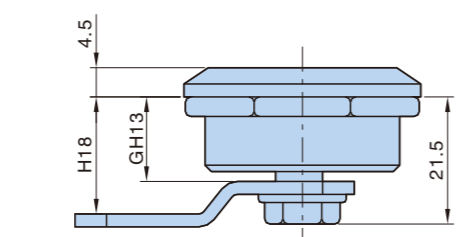
型号 Product no.	产品单重(g) Weight	装箱数 Lot
MS518	261	100

MS-A-401

工具锁芯转舌锁 Tool Type Cam Lock

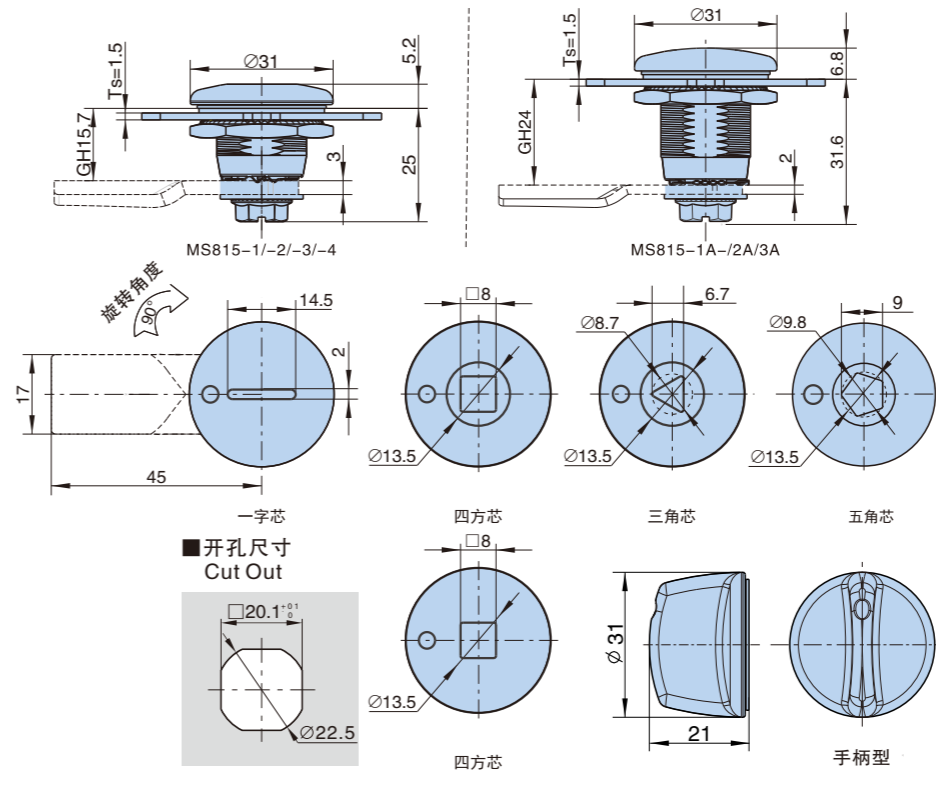


- 材质: 锌合金锁体, 钥匙, 镀锌锁片、螺母
- 表面处理: 镀亮铬
- 适用门板厚度: 1~5mm
- Material: Zinc die-casting body key, Zinc plating cam; nut
- Finish: Bright chrome plating.
- Panel thickness: 1~5mm

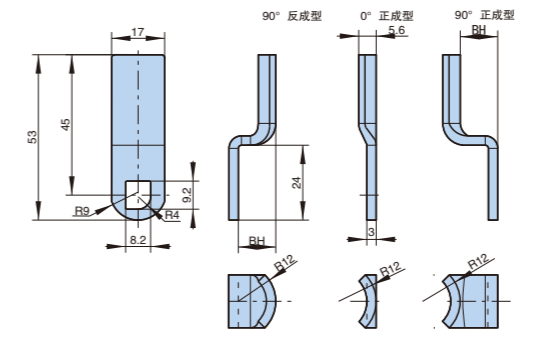


型号 Product no.	产品单重(g) Weight	装箱数 Lot
MS-A-401	145	200

工具锁芯转舌锁 Tool Type Cam Lock



锁片选配规格下表



图号	编号	折弯高度BH	中心距L	锁片成型方向
MS815-1A.S01/00	1D4500T30	0	45	90° 正成型
MS815-1A.S09/00	1D4504T30	4	45	
MS815-1A.S02/00	1D4508T30	8	45	
MS815-1A.S03/00	1D4510T30	10	45	
MS815-1A.S04/00	1D4512T30	12	45	
MS815-1A.S05/00	1D45F04T30	4	45	90° 反成型
MS815-1A.S06/00	1D45F08T30	8	45	
MS815-1A.S07/00	1D45F10T30	10	45	
MS815-1A.S08/00	1D45F12T30	12	45	

产品型号及特性 Product Number		产品单重(g) Weight	装箱数 Lot
直槽芯 Slot insert	短型	MS815-1	78.5
四方芯 Square insert		MS815-2	76
内四方芯 Square insert		MS815-2B	80
三角芯 Triangular insert		MS815-3	72.5
五角芯 Pentagonal insert		MS815-4	75
手柄型 Handle type	MS815-5	200	
直槽芯 Slot insert	长型	MS815-1A	94.2
四方芯 Square insert		MS815-2A	90.6
三角芯 Triangular insert		MS815-3A	90
手柄型 Handle type		MS815-5A	200

MS815



MS815-1



MS815-2



MS815-3



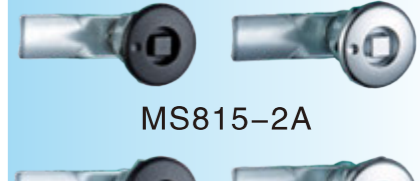
MS815-4



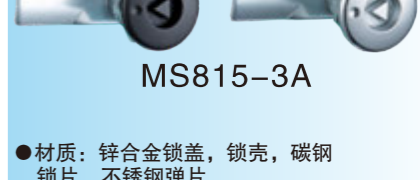
MS815-2B



MS815-1A



MS815-2A



MS815-3A

- 材质: 锌合金锁壳, 碳钢锁片, 不锈钢弹片
- 表面处理: 喷砂纹黑, 喷砂镀亮铬
- 结构功能: 90° 旋转实现开启或锁闭。
- 适用门板厚度: 1~10mm
- Material: zinc alloy lock, lock shell, carbon steel Lock plate, not embroidered shrapnel
- Finish: sand grain black, sandblasting bright plating chromium
- Remarks: 90° rotation to achieve open or Locking.
- Panel thickness: 1 ~ 10 mm

MS729

工具锁芯转舌锁 Tool Type Cam Lock

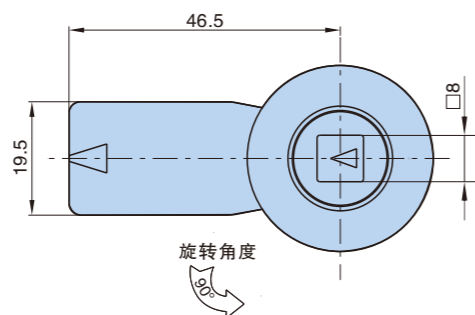
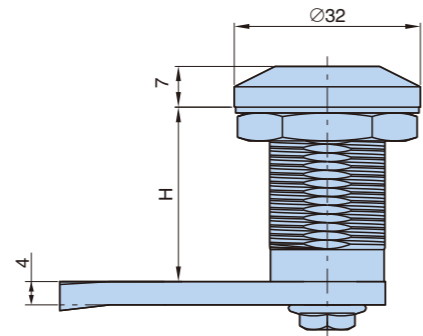


MS729-1-1

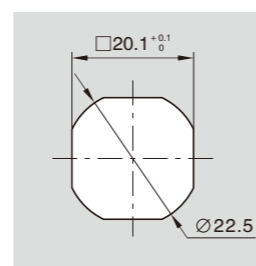


MS729-2-1

- 材质: 锌合金锁壳、锁芯、A3锁片
- 表面处理: 镀亮铬
- 适用厚度: 1~10mm
- 备注: 锁片开孔□8×8
- Material: Zinc alloy body, A3 cam
- Finish: Bright chrome plating
- Panel thickness: 1~10mm
- Remark: cutout □8×8



■开孔尺寸
Cut Out



型号 Product no.	基本尺寸(H) Dimensions	产品单重(g) Weight	装箱数 Lot
MS729-1-1	30	105	200
MS729-2-1	18	72	200

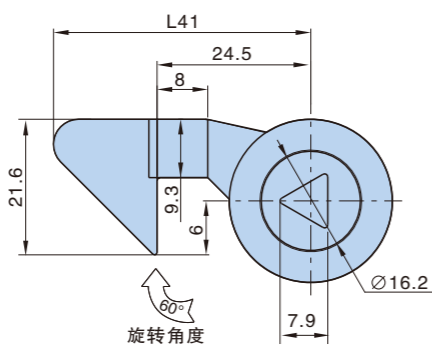
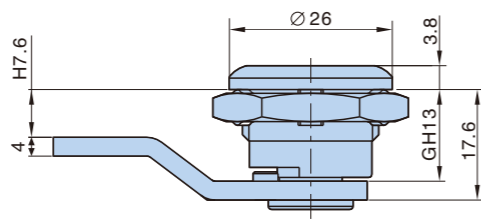
MS726

工具锁芯转舌锁 Tool Type Cam Lock

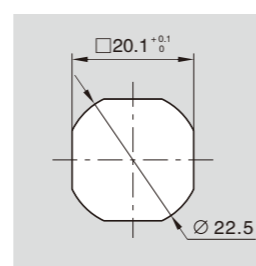


K7030-8

- 材质: 锌合金锁体, 螺母, 钥匙, 不锈钢锁片
- 表面处理: 镀亮铬
- 适用门板厚度: 1~5mm
- 备注: 自动复位式门锁, 锁片开孔□8×8
- Material: Zinc die-casting body, nut and key, stainless steel cam
- Panel thickness: 1~5mm
- Finish: Bright chrome plating
- Remark: Auto reposition lock, cam cutout □8×8

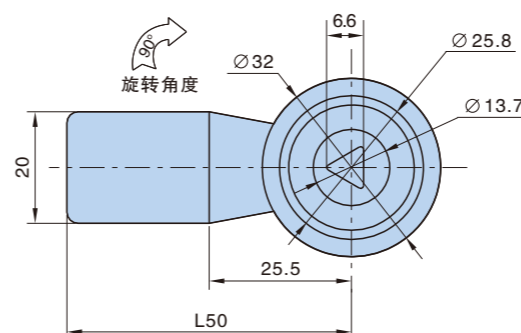
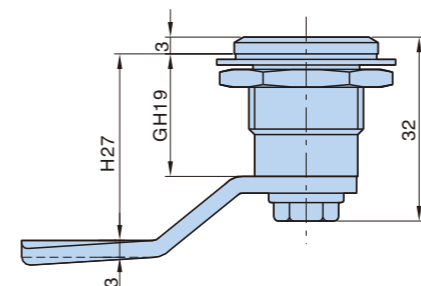


■开孔尺寸
Cut Out

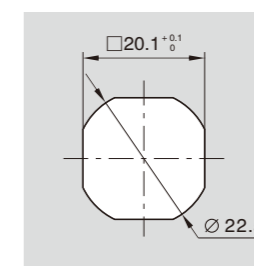


型号 Product no.	产品单重(g) Weight	装箱数 Lot
MS726	62	300

工具锁芯转舌锁 Tool Type Cam Lock

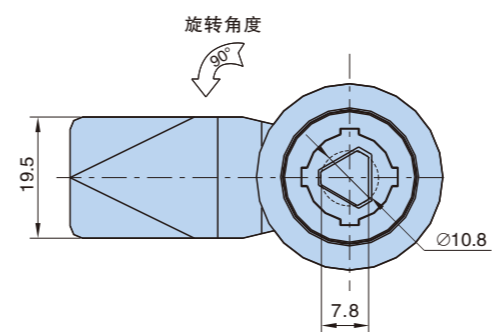
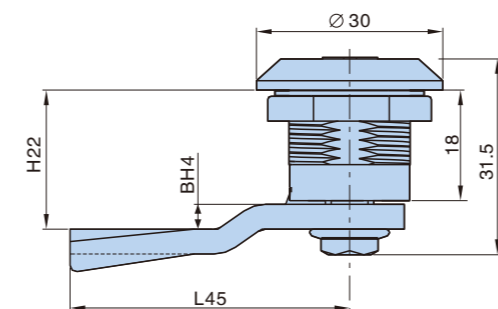


■开孔尺寸
Cut Out

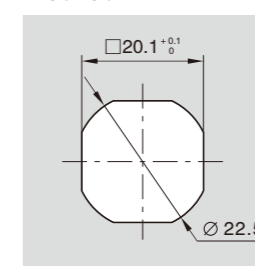


型号 Product no.	产品单重(g) Weight	装箱数 Lot
MS718	71.5	200

工具锁芯转舌锁 Tool Type Cam Lock



■开孔尺寸
Cut Out



型号 Product no.	产品单重(g) Weight	装箱数 Lot
MS727	86.5	200

MS718



K7030-07

- 材质: 锌合金锁体, 镀锌钢垫圈、锁片
- 表面处理: 镀亮铬
- 适用门板厚度: 1~6mm
- 备注: 带切口钢栓有左右之分
- Material: Zinc die-casting body
- Finish: Bright chrome plating
- Panel thickness: 1~6mm

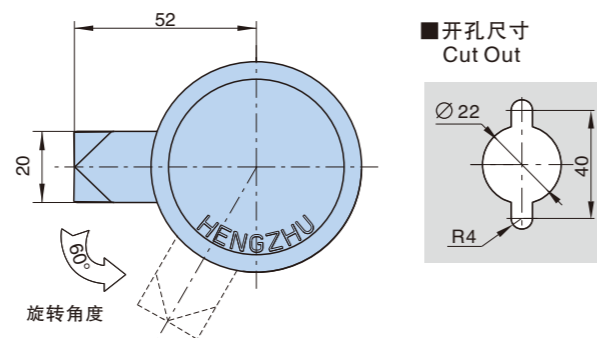
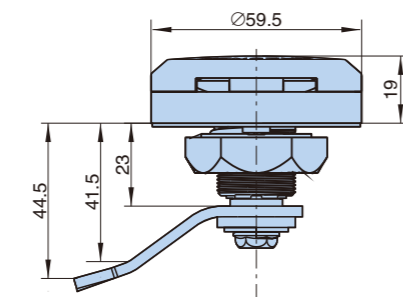
MS727



- 材质: 锌合金锁体, 镀锌锁片, 防锈栓脱落结构
- 表面处理: 喷无光黑
- 适用门板厚度: 1~5mm
- Material: Zinc die-casting body, Zinc plating cam, Protection of steel bolt shedding structure
- Finish: Black powder coated
- Panel thickness: 1~5mm

MS-A-172-1

工具锁芯转舌锁 Tool Type Cam Lock

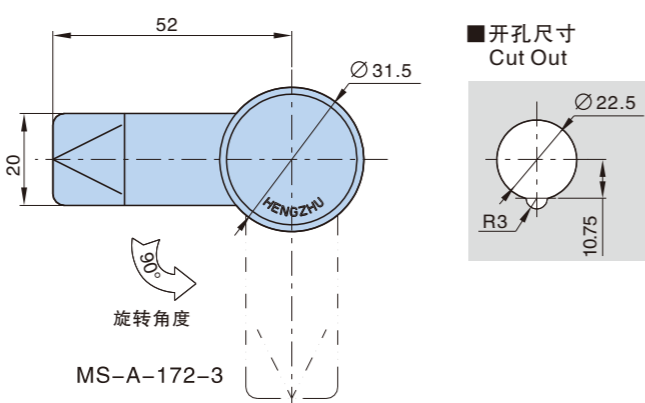
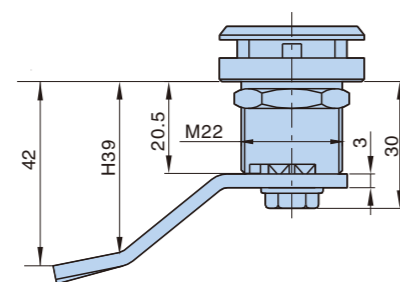


- 材质: 锌合金锁体, 螺母, 镀锌锁片
- 表面处理: 镀亮铬
- 适用门板厚度: 1.5~8mm
- Material: Zinc die-casting body, nut, Zinc plating cam
- Finish: Bright chrome plating
- Panel thickness: 1.5~8mm

产品型号 Product Number	产品单重(g) Weight	装箱数 Lot
MS-A-172-1	480	80

MS-A-172-3

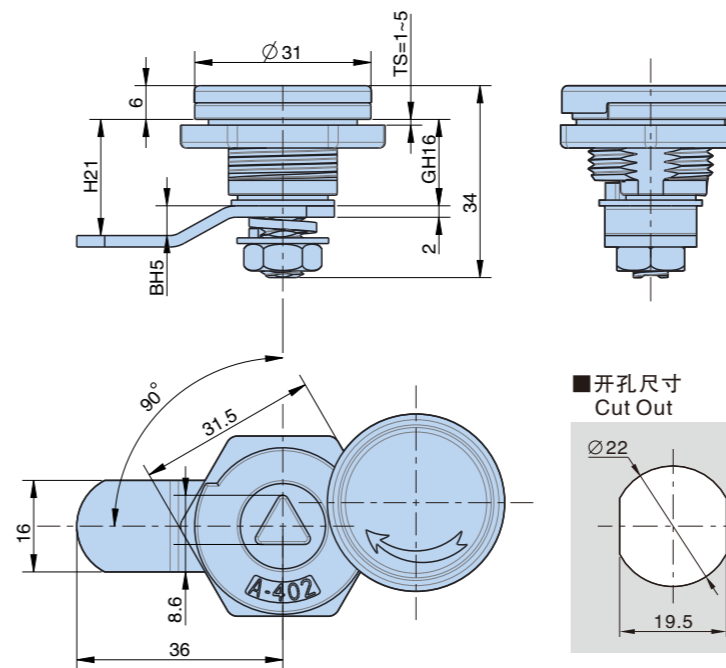
工具锁芯转舌锁 Tool Type Cam Lock



- 材质: 锌合金锁体, 螺母, 镀锌锁片
- 表面处理: 镀亮铬
- 适用门板厚度: 1.5~8mm
- Material: Zinc die-casting body, nut, Zinc plating cam
- Finish: Bright chrome plating
- Panel thickness: 1.5~8mm

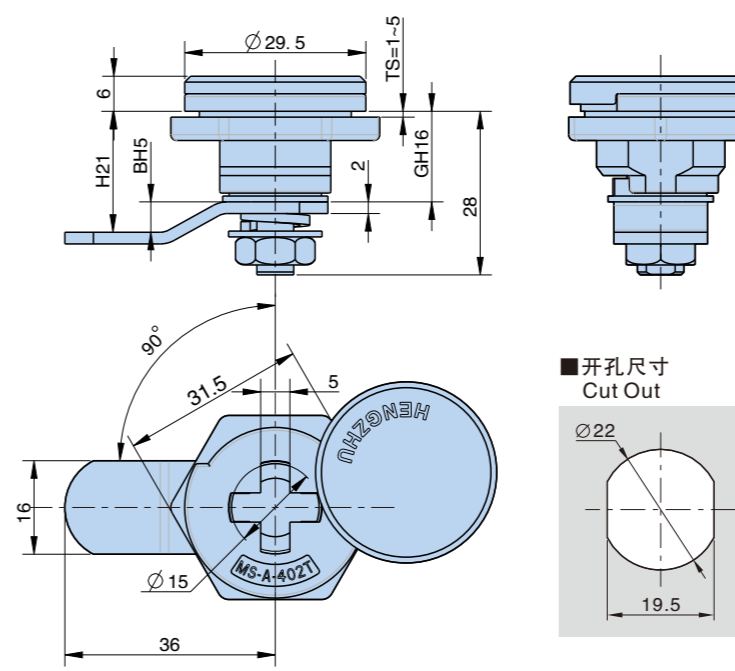
产品型号 Product Number	产品单重(g) Weight	装箱数 Lot
MS-A-172-3	252	200

工具锁芯转舌锁 Tool Type Cam Lock



产品型号及特性 Product Number	产品单重(g) Weight	装箱数 Lot
三角锁芯 Triangular insert MS-A-402	87.5	200

工具锁芯转舌锁 Tool Type Cam Lock



产品型号及特性 Product Number	产品单重(g) Weight	装箱数 Lot
一字槽芯 Double bit insert MS-A-402T	132	200

MS-A-402



K7030-07

- 材质: 锌合金锁体, 螺母, 镀锌锁片
- 表面处理: 喷沙镀铬
- 适用门板厚度: 1~5mm
- Material: Zinc die-casting body, Nut, Zinc plating cam
- Finish: Pocked chrome plating
- Panel thickness: 1~5mm

MS-A-402T



K7010-09

- 材质: 锌合金锁体, 螺母, 镀锌锁片
- 表面处理: 喷沙镀铬
- 适用门板厚度: 1~5mm
- Material: Zinc die-casting body, Nut, Zinc plating cam
- Finish: Pocked chrome plating
- Panel thickness: 1~5mm

MS-A-404

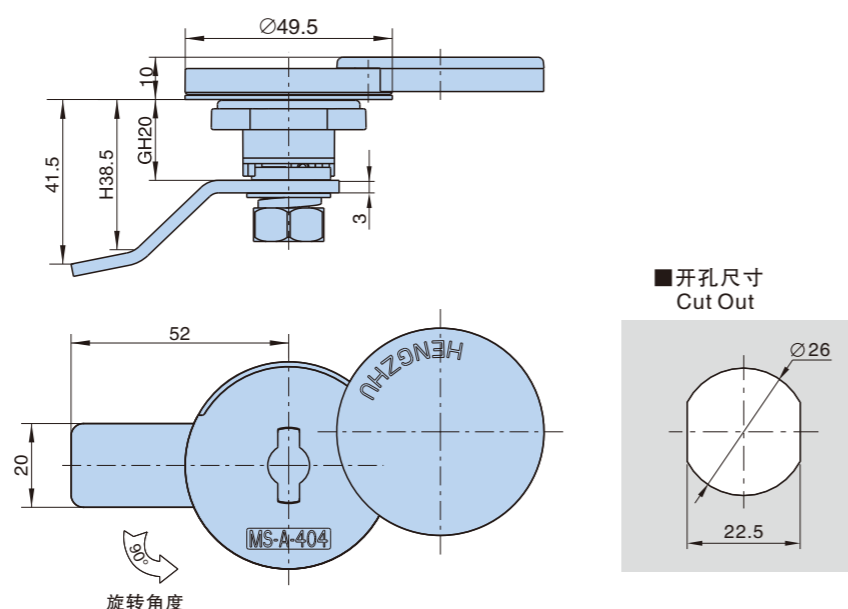
工具锁芯转舌锁 Tool Type Cam Lock

RL



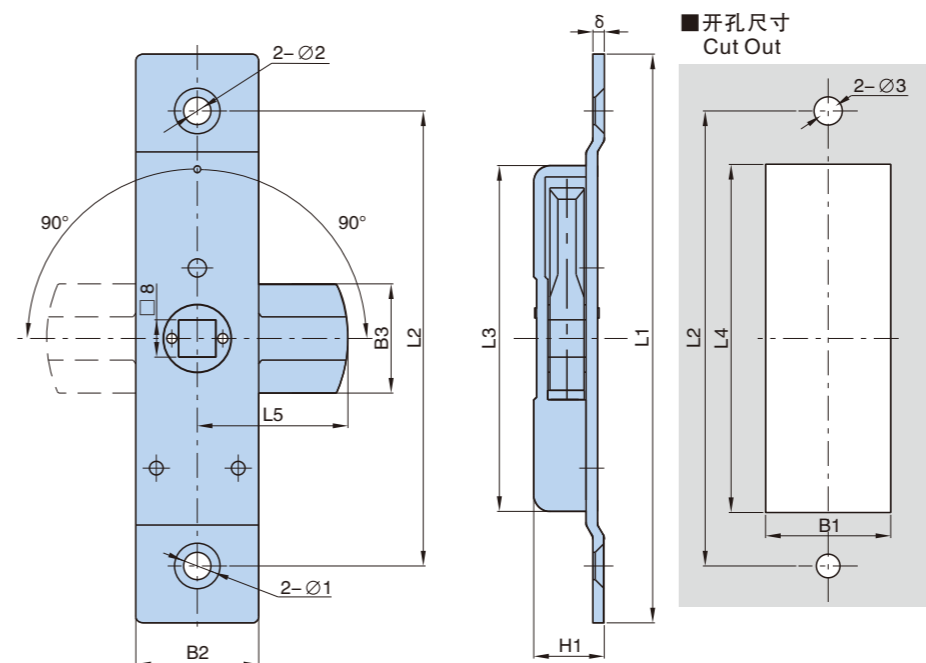
K7010-09

- 材质: 锌合金锁体, 螺母, 钥匙, 镀锌锁片
- 表面处理: 喷沙镀铬
- 适用门板厚度: 1~5mm
- Material: Zinc die-casting body, Nut and key, Zinc plating cam
- Finish: Pocked chrome plating
- Panel thickness: 1~5mm



型号 Product no.	产品单重(g) Weight	装箱数 Lot
MS-A-404	256	100

工具锁芯转舌锁 Tool Type Cam Lock



基本尺寸 Dimensions													产品型号 Product Number	产品单重(g) Weight	装箱数 Lot	
L1	L2	L3	L4	L5	B1	B2	B3	H1	δ	Ø1	Ø2	Ø3				
125	100	76	76.5	33	27.5	27	24	15.5	2.3	10	6	6.3	8.2	MS613-1-1	164.5	200
101	81	64	64.5	25	18.5	18	18	11	2	9	5	5.3	7.2	MS613-2-1	72	500

MS613

RL



MS613-1-1

MS613-2-1

- 材质: A3锁壳、锁壳盖、锌合金锁舌
- 表面处理: 镀蓝白锌
- Material: steel body, zinc alloy tone
- Finish: white zinc plating

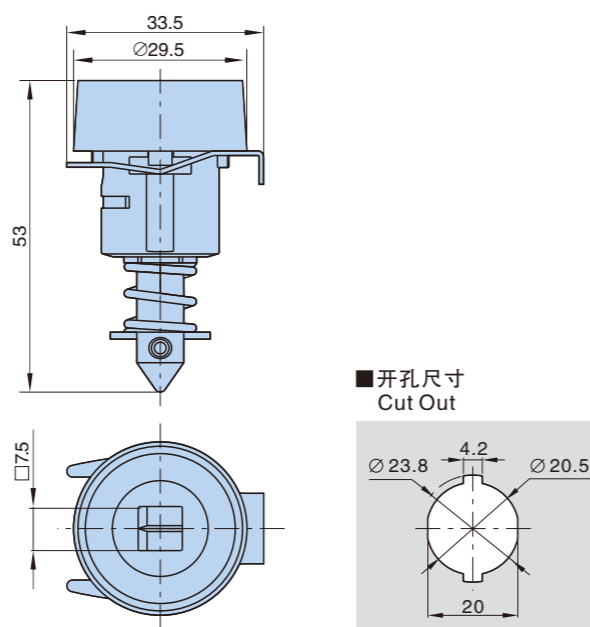
MS737-1-1

工具锁芯转舌锁 Tool Type Cam Lock

RL

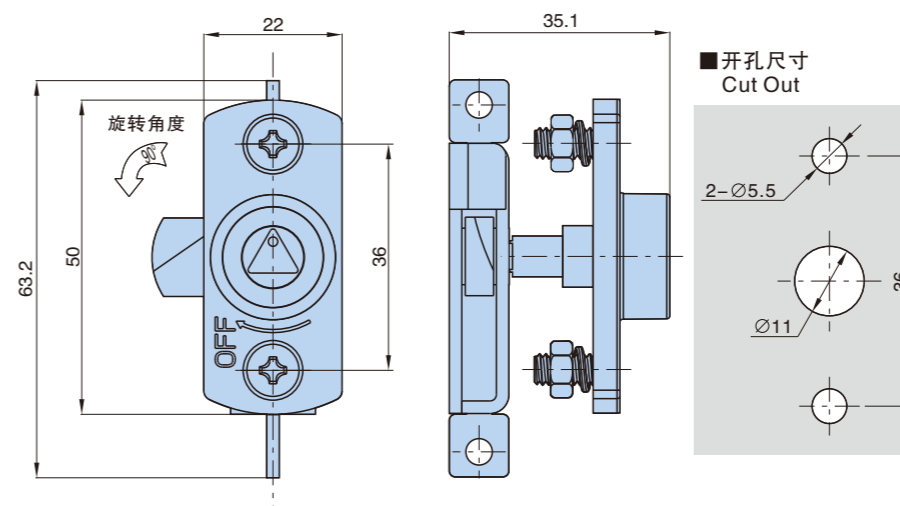


- 材质: 锌合金锁体
- 表面处理: 镀沙铬
- 适用厚板: 1~3mm
- Material: Zinc die-casting.
- Finish: Gray chrome plating
- Panel thickness: 1~3mm



型号 Product no.	产品单重(g) Weight	装箱数 Lot
MS737-1-1	75	200

工具锁芯转舌锁 Tool Type Cam Lock



型号 Product no.	产品单重(g) Weight	装箱数 Lot
MS614-1-1	345	200

MS614-1-1

RL



- 材质: 不锈钢锁壳、锁盖, 锌合金锁座
- 表面处理: 拉丝
- 适用门板厚度: 1~5mm
- Material: Stainless steel lock shell, Lock cover, Zinc die-casting seat
- Finish: brushed
- Panel thickness: 1~5mm

GGD-1

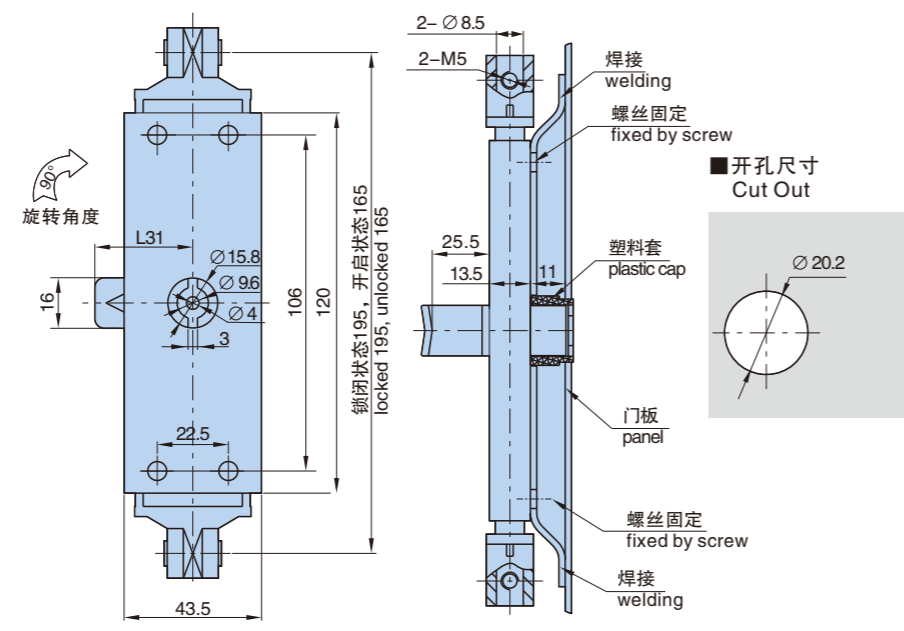
工具锁芯转舌锁 Tool Type Cam Lock

RL



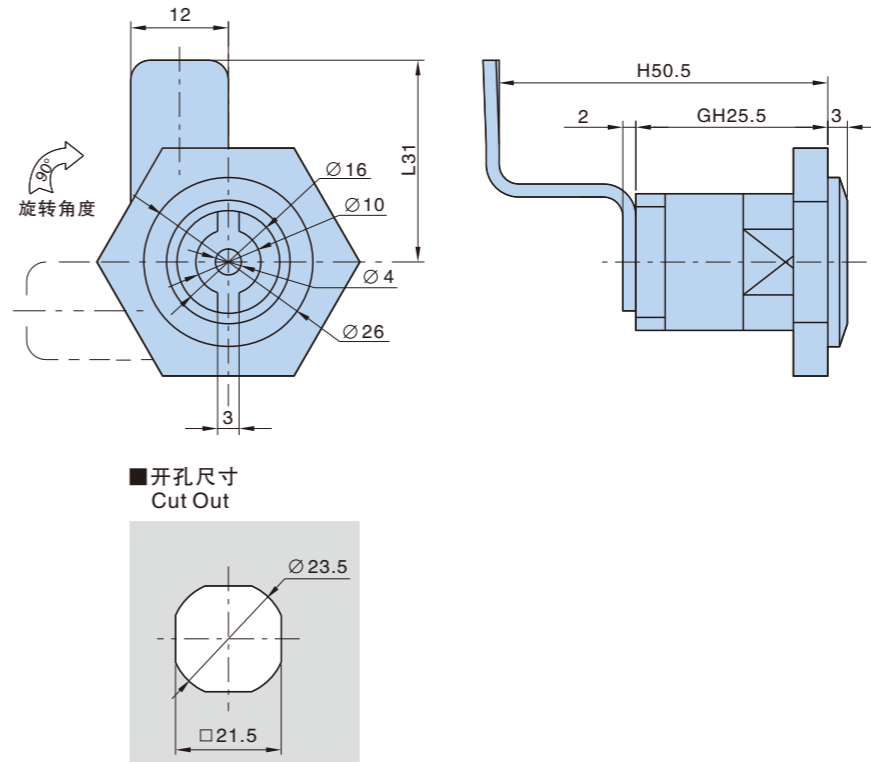
K7010-11

- 材质: 锌合金锁芯, 钥匙, 镀锌钢板拉杆盒、锁片
- 表面处理: 镀锌
- 适用门板厚度: 1.5~3mm
- Material: Zinc die-casting body Key, M.S. Zinc plating lock body cam, fixing parts
- Finish: yellow zinc
- Panel thickness: 1.5~3mm



型号 Product no.	产品单重(g) Weight	装箱数 Lot
GGD-1	335.5	50

工具锁芯转舌锁 Tool Type Cam Lock



型号 Product no.	产品单重(g) Weight	装箱数 Lot
GCS	85	500

GCS

RL



K7010-11

- 材质: ABS锁壳, 锌合金锁芯和钥匙
- 表面处理: 黑色咬花面
- 适用门板厚度: 1~8mm
- Material: Zinc die-casting cylinder and Key, M.S. Zinc plating lock body cam, fixing parts
- Finish: yellow zinc plating
- Panel thickness: 1.5~3mm

GGD-2

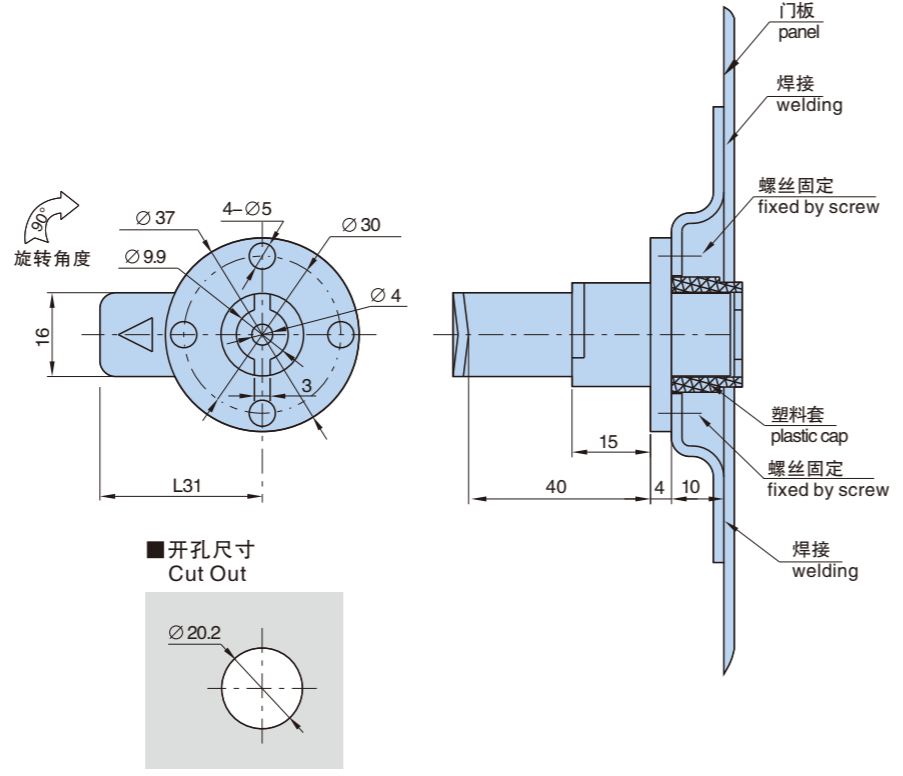
工具锁芯转舌锁 Tool Type Cam Lock

RL



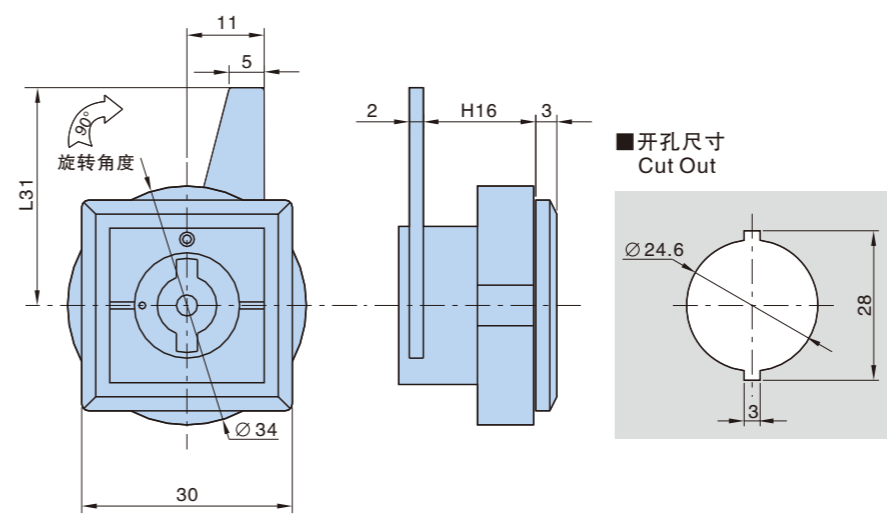
K7010-11

- 材质: 锌合金锁体, 钥匙, 镀锌锁片
- 适用门板厚度: 1.5~3mm
- 表面处理: 镀锌
- Material: Zinc die-casting body Key, M.S. Zinc plating cam;
- Finish: yellow zinc
- Panel thickness: 1.5~3mm.



型号 Product no.	产品单重(g) Weight	装箱数 Lot
GGD-2	74	200

工具锁芯转舌锁 Tool Type Cam Lock



型号 Product no.	产品单重(g) Weight	装箱数 Lot
MS200	32	500

MS200

RL

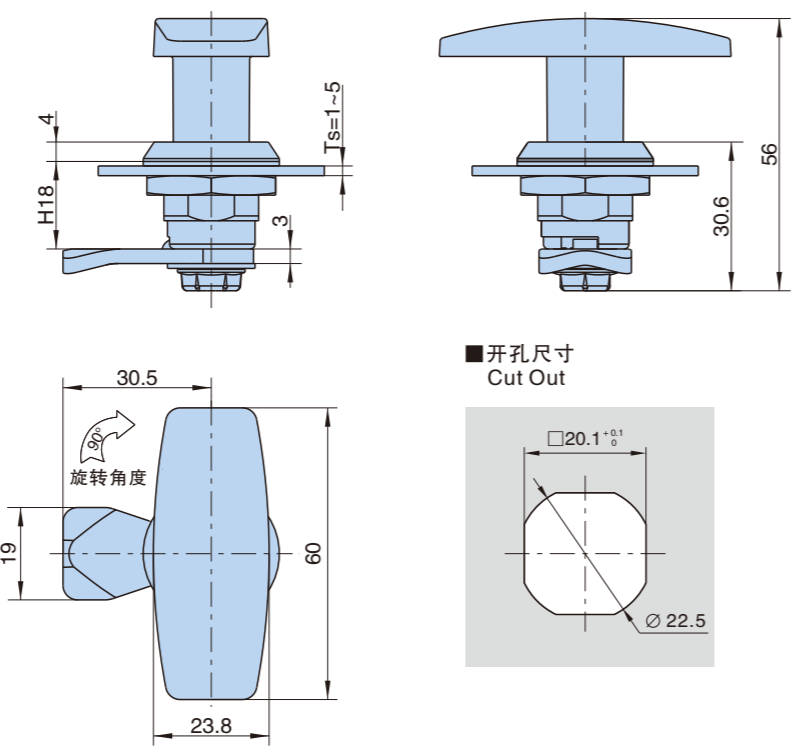


K7010-11

- 材质: ABS锁壳, 螺母、锌合金锁芯和钥匙, 镀锌锁片
- 表面处理: 黑色细沙纹面
- 适用门板厚度: 0.5~2.5mm
- Material: ABS housing, nut, zinc die-casting cylinder and key Zinc plating cam
- Finish: Matt black
- Panel thickness: 0.5~2.5mm

MS1003Z-1-1

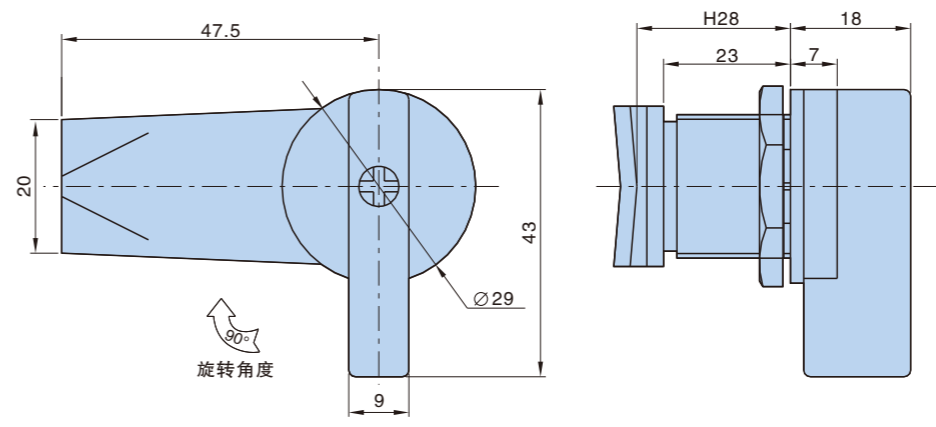
手柄型转舌锁 Handle Type Handle Lock



- 材质：锌合金手柄，不锈钢锁壳，锁片，螺母
- 表面处理：手柄喷无光黑
- 适用门板厚度：1~5
- 备注：锁片开孔口8X8
- Material :zinc die-casting handle , stainless steel housing ,cam and nut.
- Finish :black powder coated for the handle.
- Panel thickness:1-5mm.
- Remark:8X8 cut out

型号 Product no.	产品单重(g) Weight	装箱数 Lot
MS1003Z-1-1	136.3	160

手柄型转舌锁 Handle Type Handle Lock



型号 Product no.	产品单重(g) Weight	装箱数 Lot
MS406	83	200

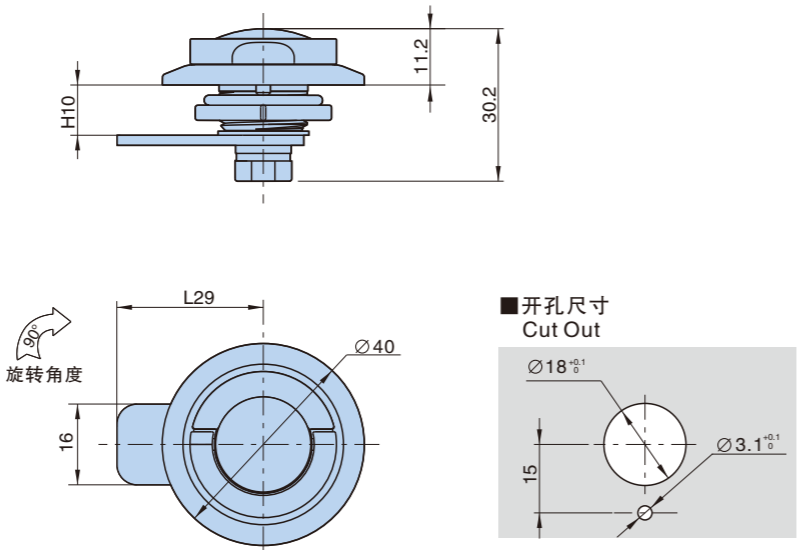
MS406



- 材质：ABS把手，锌合金锁体、螺母，镀锌锁片
- 表面处理：黑
- 适用门板厚：1-7mm
- Material:ABS knob,zinc die-casting body, nut, Zinc plating cam
- Finish:black
- Panel thickness:1-7mm

MS404-1-2

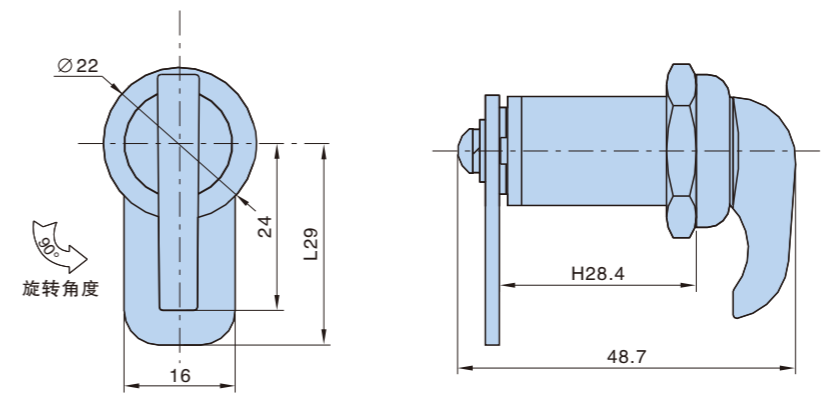
手柄型转舌锁 Handle Type Handle Lock



- 材质：锌合金锁体、螺母、镀锌锁片
- 表面处理：镀亮铬
- 适用门板厚：1-3mm
- Material:Zinc die-casting body, Nut, Zinc plating cam
- Finish:Bright chrome plating
- Panel thickness:1-3mm

型号 Product no.	产品单重(g) Weight	装箱数 Lot
MS404-1-2	78	400

手柄型转舌锁 Handle Type Handle Lock



型号 Product no.	产品单重(g) Weight	装箱数 Lot
MS412	73	300

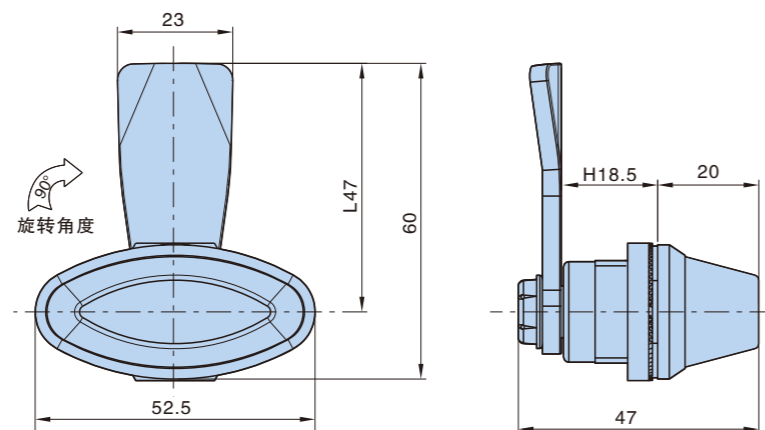
MS412



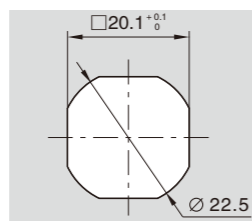
- 材质：锌合金锁体、螺母，镀锌钢垫圈、锁片
- 表面处理：镀珍珠镍
- 适用门板厚度：1-20mm
- Material:Zinc die-casting body,Nut, Zinc plating cam;washer
- Finish: Nickel plating
- Panel thickness:1-20mm

MS414

手柄型转舌锁 Handle Type Handle Lock



■开孔尺寸
Cut Out

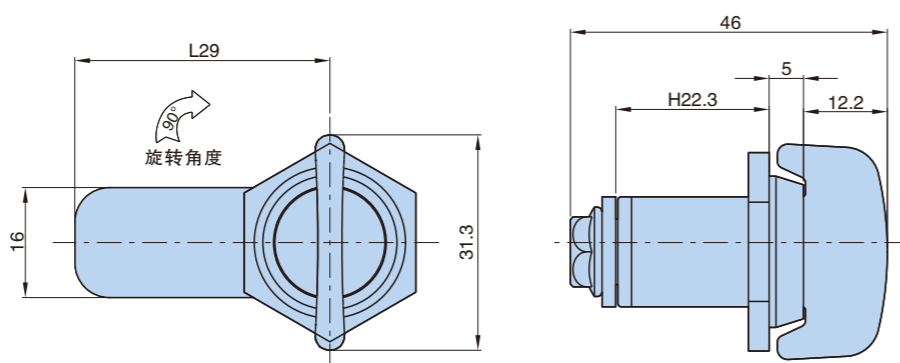


- 材质: 锌合金锁体, 聚乙烯旋钮, 镀锌锁片
- 表面颜色: 灰色
- 适用门板厚度: 1~6mm
- Material: Zinc die-casting body, plastic knob, M.S. Zinc plating cam
- Finish: gray
- Panel thickness: 1~6mm

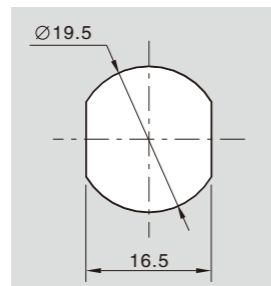
型号 Product no.	产品单重(g) Weight	装箱数 Lot
MS414	91	200

MS424

手柄型转舌锁 Handle Type Handle Lock



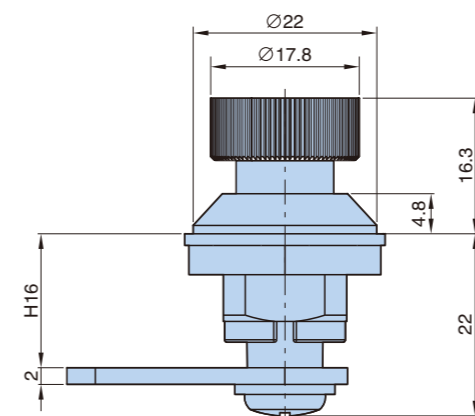
■开孔尺寸
Cut Out



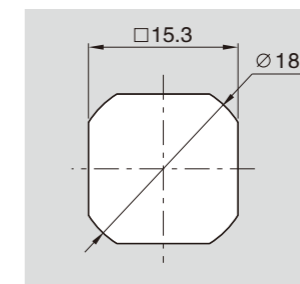
- 材质: 锌合金锁壳、手柄
- 表面处理: 镀亮铬
- 适用门板厚度: 1~12mm
- 备注: 锁片开孔 8X8
- Material: Zinc die-casting housing and handle
- Finish: Bright chrome plating
- Panel thickness: 1~12mm
- Remark: Cam cutout 8X8

型号 Product no.	产品单重(g) Weight	装箱数 Lot
MS424	63.5	400

手柄型转舌锁 Handle Type Handle Lock

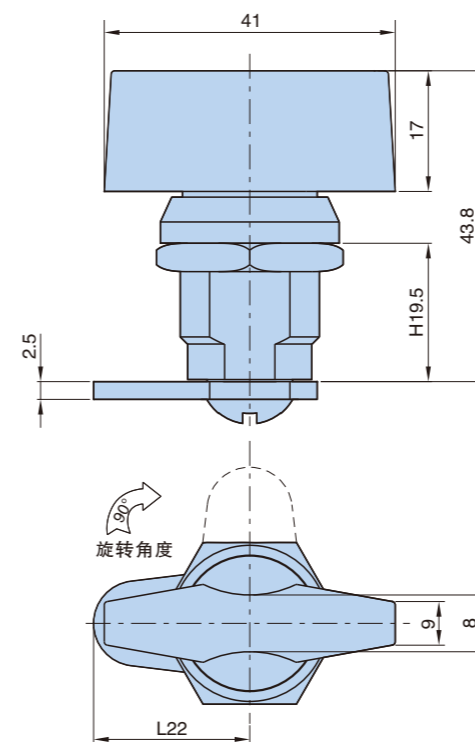


■开孔尺寸
Cut Out

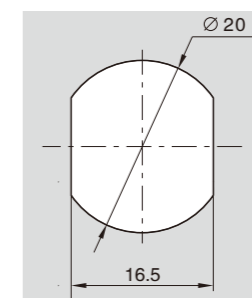


型号 Product no.	产品单重(g) Weight	装箱数 Lot
MS433-1	53	500

手柄型转舌锁 Handle Type Handle Lock



■开孔尺寸
Cut Out



型号 Product no.	产品单重(g) Weight	装箱数 Lot
MS434	25	500

MS433



- 材质: 锌合金锁壳、手柄、镀锌锁片
- 表面处理: 镀亮铬
- 适用门板厚度: 1~4mm
- 备注: 锁片开孔 7X7, 可90° 定位。
- Material: Zinc die-casting housing, handle, Zinc plating cam
- Finish: bright chrome plating
- Panel thickness: 1~4mm
- Remark: cam cutout 7X7, 90 Degree positioning

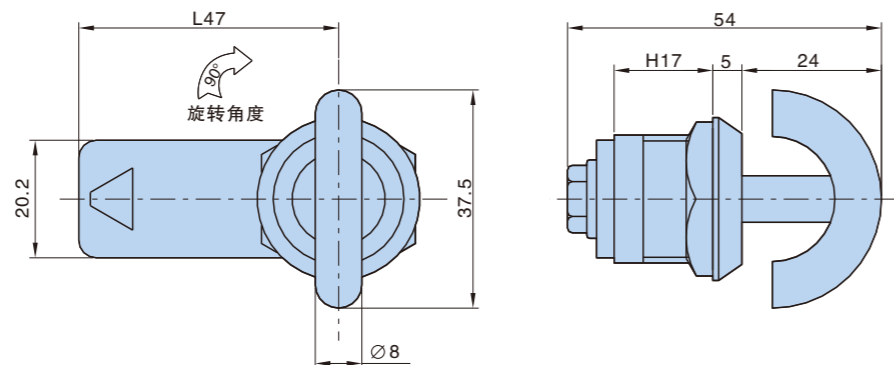
MS434



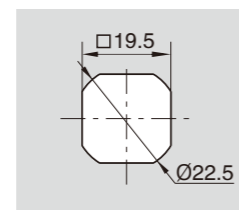
- 材质: ABS锁壳、手柄、铝螺母、镀锌锁片
- 表面颜色: 黑色
- 适用门板厚度: 1~6mm
- 备注: 默认锁片开孔 8x8
- Material: ABS housing, handle, Aluminum nut, Zinc plating cam
- Finish: black
- Panel thickness: 1~6mm
- Remark: cam cutout 8x8

MS706

手柄型转舌锁 Handle Type Handle Lock



■ 开孔尺寸
Cut Out

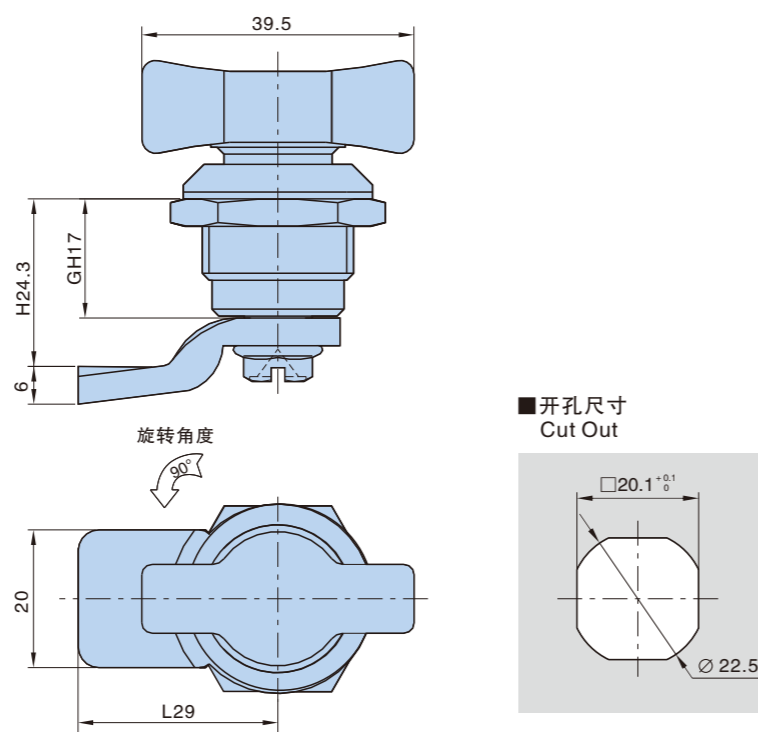


- 材质: 锌合金锁体, 镀锌螺母、锁片
- 表面处理: 镀亮铬
- 适用门板厚度: 1~5mm
- Material: Zinc die-casting body M.S. Zinc plating nut cam
- Finish: Bright chrome plating
- Panel thickness: 1~5mm

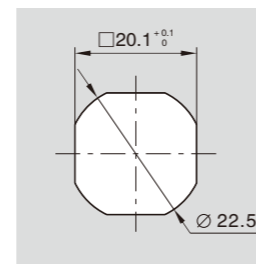
型号 Product no.	产品单重(g) Weight	装箱数 Lot
MS706	98	200

MS722

手柄型转舌锁 Handle Type Handle Lock



■ 开孔尺寸
Cut Out



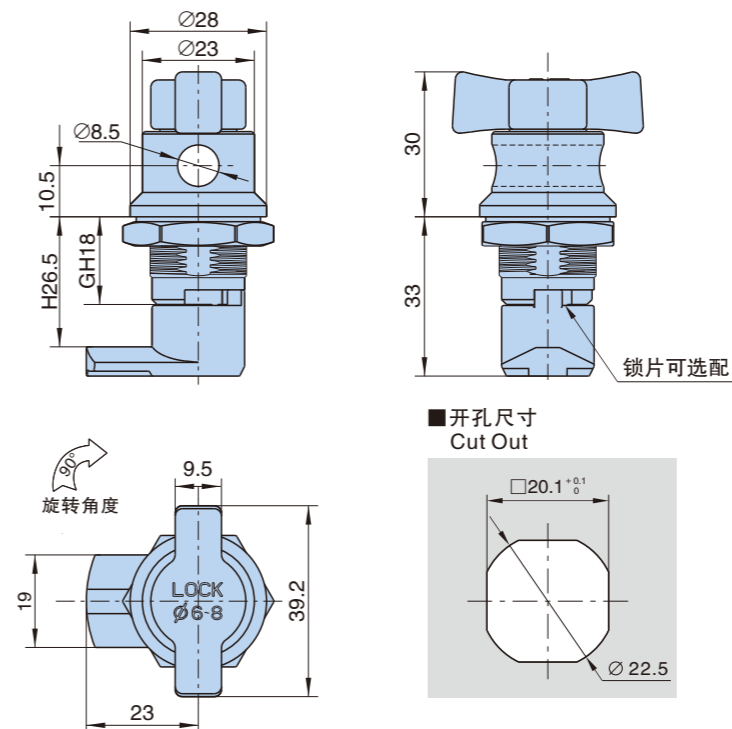
- 材质: 锌合金锁体, PA手柄, 镀锌螺母、锁片
- 表面颜色: 黑色
- 适用门板厚度: 1~5mm
- Material: Zinc die-casting body, PA knob, Zinc plating nut and
- Finish: black
- Panel thickness: 1~5mm

型号 Product no.	产品单重(g) Weight	装箱数 Lot
MS722	80.5	200

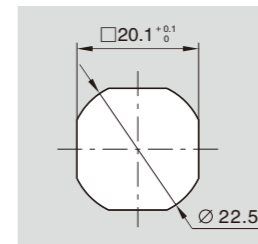
F059

恒珠柜锁 电话(TEL):0795-2119999, 3256555 E-mail: admin@hengzhu.com

带挂型转舌锁 Padlockable Cam Lock



■ 开孔尺寸
Cut Out



- 材质: 锌合金锁壳, 锁舌, 螺母, PA手柄
- 表面处理: 黑色沙纹面
- 适用门板厚: 1~6mm
- 备注: 锁片开孔 8x8
- Material: Zinc die-casting body PA handle
- Finish: Matt black
- Pannel: thickness: 1~6mm
- Remark: Cam cutout 8x8

型号 Product no.	产品单重(g) Weight	装箱数 Lot
MS722-2-1	112	200

恒珠柜锁 电话(TEL):0795-2119999, 3256555 E-mail: admin@hengzhu.com

F060

恒珠柜锁 电话(TEL):0795-2119999, 3256555 E-mail: admin@hengzhu.com

A拉手系列
Handles series

B平面锁系列
Plane lock series

C连杆锁系列
Rod control series

D面板锁系列
Plane lock series

E执手锁系列
Handle lock series

F转舌锁系列
Cam lock series

G铰链系列
Hinge series

H搭扣锁系列
Toggle lock series

I门销系列
Door bolt series

J电子锁系列
Electronic lock series

K密封条系列
Gasketing series

L限位系列
Door stop series

M附件系列
Accessories series

N不锈钢件系列
Stainless steel series

索引
Index

A拉手系列
Handles series

B平面锁系列
Plane lock series

C连杆锁系列
Rod control series

D面板锁系列
Plane lock series

E执手锁系列
Handle lock series

F转舌锁系列
Cam lock series

G铰链系列
Hinge series

H搭扣锁系列
Toggle lock series

I门销系列
Door bolt series

J电子锁系列
Electronic lock series

K密封条系列
Gasketing series

L限位系列
Door stop series

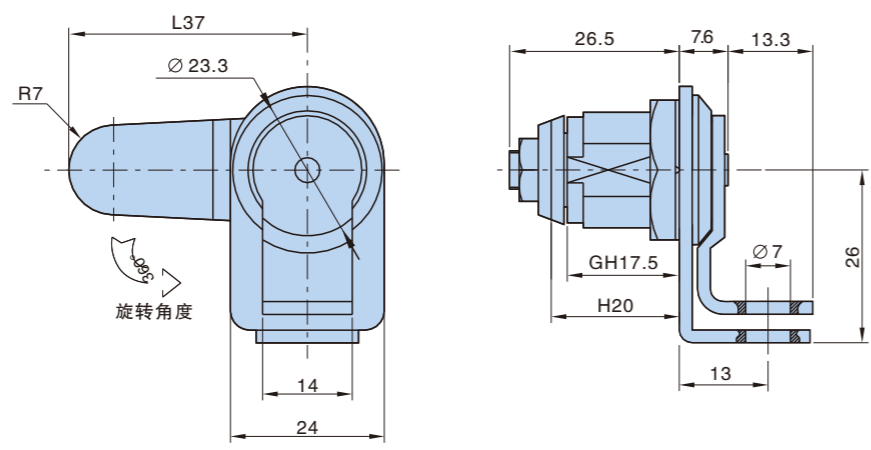
M附件系列
Accessories series

N不锈钢件系列
Stainless steel series

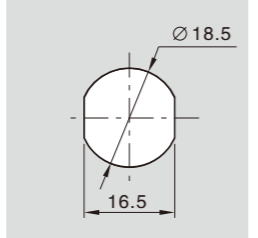
索引
Index

MS418

带挂型转舌锁 Padlockable Cam Lock



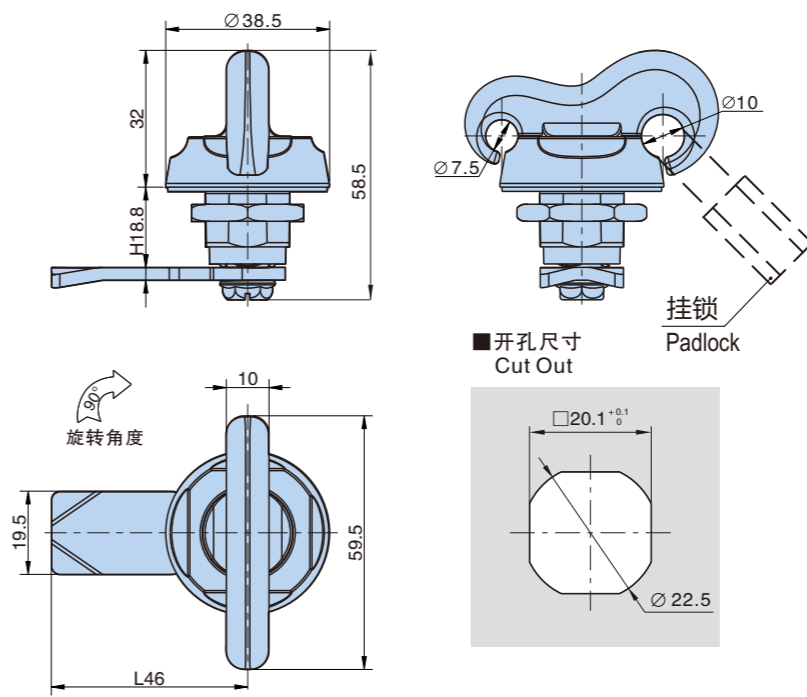
■开孔尺寸
Cut Out



- 材质: 锌合金锁体, 镀锌钢板、锁片
- 表面处理: 镀亮铬
- 适用门板厚度: 1~10mm
- 备注: 与挂锁一起使用
- Material: Zinc die-casting body, Zinc plating cam, fixing parts
- Finish: Bright chrome plating
- Panel thickness: 1~10mm
- Remark: padlockable lock.

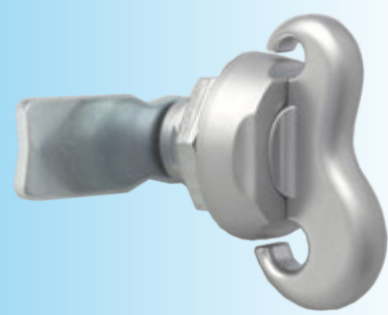
型号 Product no.	产品单重(g) Weight	装箱数 Lot
MS418	78	300

带挂型转舌锁 Padlockable Cam Lock



型号 Product no.	产品单重(g) Weight	装箱数 Lot
MS431-1-1	185	150

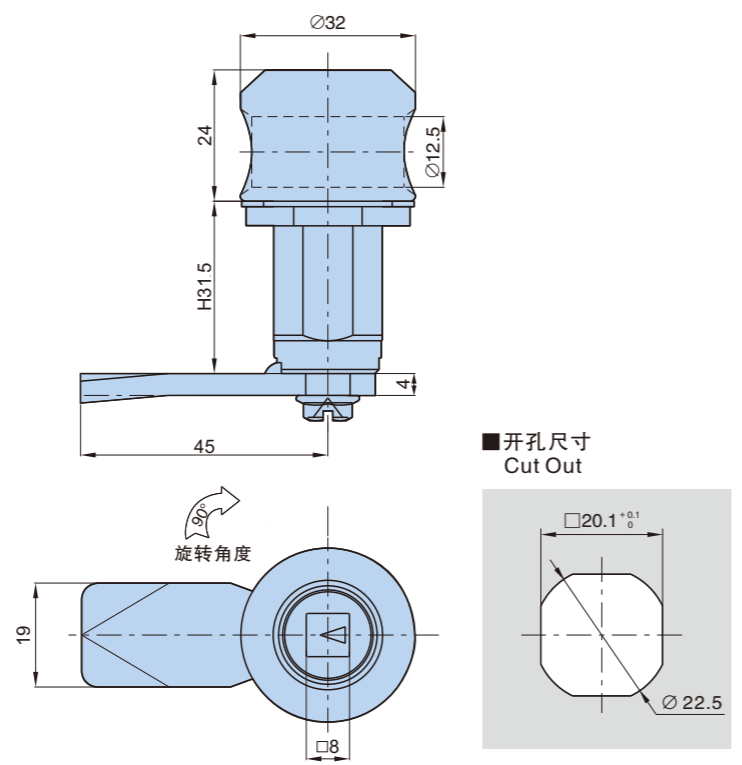
MS431-1-1



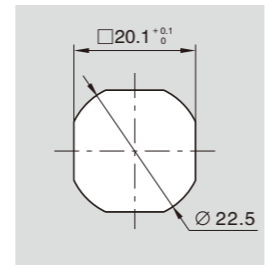
- 材质: 锌合金手柄、锁壳;
- 表面处理: 喷无光黑, 镀沙铬
- 适用门板厚度: 1~6mm
- 备注: 锁片开孔 8x8
- Material: Zinc die-casting handle and housing
- Finish: Black powder coated Gray chrome plating
- Panel thickness: 1~6mm
- Remark: cam cutout 8x8

MS429

带挂型转舌锁 Padlockable Cam Lock



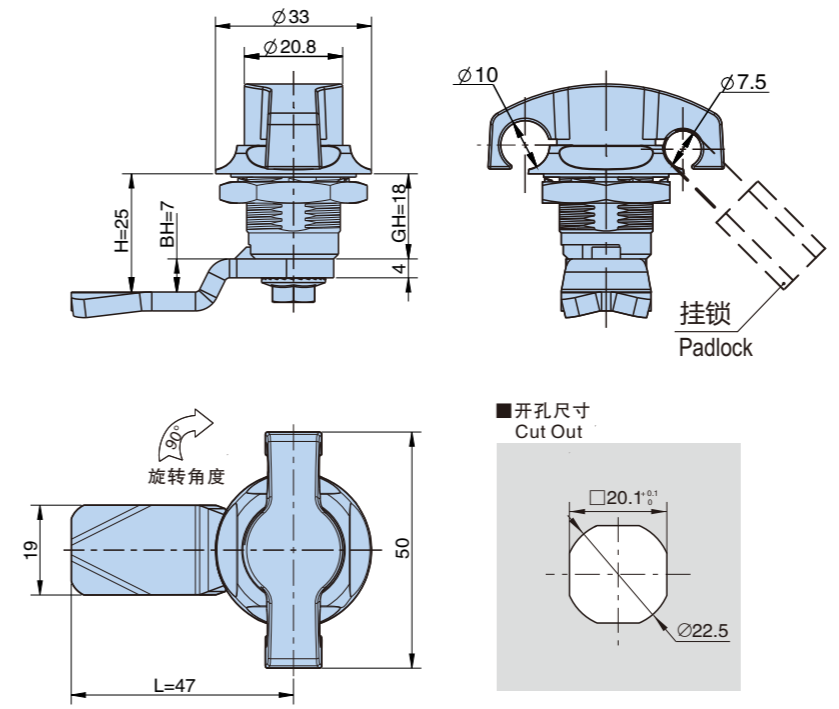
■开孔尺寸
Cut Out



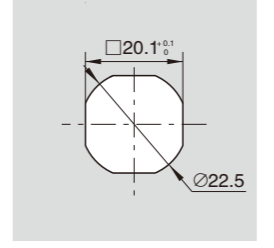
- 材质: 锌合金锁壳、锁芯、A3锁片
- 表面处理: 镀亮铬
- 适用厚板: 1~20mm
- 备注: 锁片开孔 8x8
- Material: Zinc die-casting lock housing and cylinder, zinc plating steel cam
- Finish: Bright chrome plating
- Panel thickness: 1~20mm
- Remark: cutout 8x8

型号 Product no.	产品单重(g) Weight	装箱数 Lot
MS429	153	150

带挂型转舌锁 Padlockable Cam Lock



■开孔尺寸
Cut Out



型号 Product no.	产品单重(g) Weight	装箱数 Lot
MS7082Z-1-1	137	160

MS7082Z-1-1



- 材质: 锌合金锁体, 碳钢锁片
- 表面处理: 喷砂纹黑
- 适用门板厚度: 1~5mm
- 备注: 锁片开孔 8x8
- Material: zinc die, steel cam
- Surface: sand grain black
- Door thickness: 1~5mm
- Notes: cam size 8x8

A拉手系列 Handles series
B平面锁系列 Plane lock series
C连杆锁系列 Rod control series
D面板锁系列 Plane lock series
E执手锁系列 Handle lock series
F转舌锁系列 Cam lock series
G铰链系列 Hinge series
H搭扣锁系列 Toggle lock series
I门销系列 Door bolt series
J电子锁系列 Electronic lock series
K密封条系列 Gasketing series
L限位系列 Door stop series
M附件系列 Accessories series
N不锈钢件系列 Stainless steel series
索引 Index

A拉手系列 Handles series
B平面锁系列 Plane lock series
C连杆锁系列 Rod control series
D面板锁系列 Plane lock series
E执手锁系列 Handle lock series
F转舌锁系列 Cam lock series
G铰链系列 Hinge series
H搭扣锁系列 Toggle lock series
I门销系列 Door bolt series
J电子锁系列 Electronic lock series
K密封条系列 Gasketing series
L限位系列 Door stop series
M附件系列 Accessories series
N不锈钢件系列 Stainless steel series
索引 Index

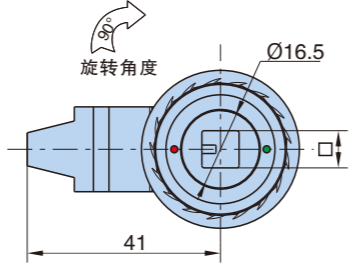
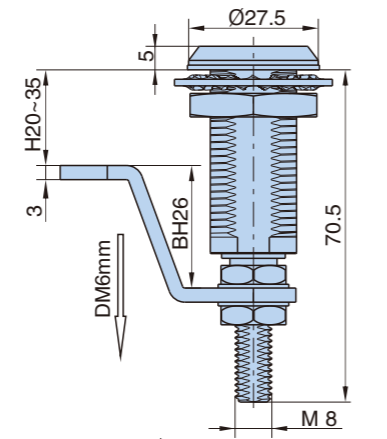
MS7062Z-1-1R

压缩式转舌锁 Compression Cam Lock

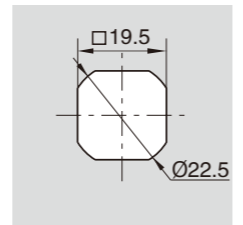


K7040-01

- 材质: 锌合金锁体, 锁芯, 碳钢锁片
- 表面处理: 镀亮铬
- 适用门板厚度: 1-8mm
- 备注: 压缩式门锁, 压缩量约为5mm, 锁芯旋转180° 开锁。
- Material: Zinc die-casting body and insert steel cam
- Finish: Bright chrome plating
- Panel thickness: 1-8mm
- Remarks: Compression type lock The amount is about 5mm Turn the insert 180° to open lock

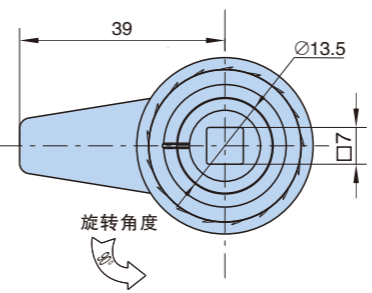
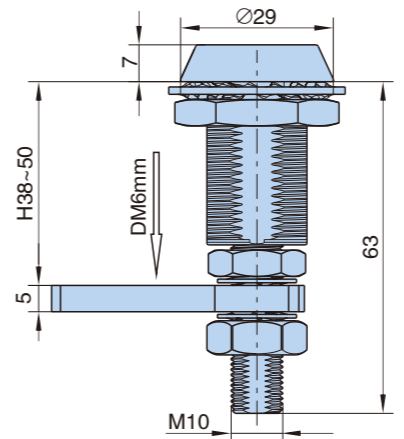


■开孔尺寸
Cut Out

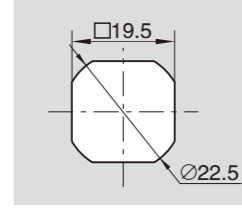


产品型号及特性 Product Number	产品单重(g) Weight	装箱数 Lot	
右旋 (锁芯口8)	MS7062Z-1-1R	132	200
左旋 (锁芯口8)	MS7062Z-1-1L	132	200
右旋 (锁芯口7)	MS7062Z-1A-1R	130	200

压缩式转舌锁 Compression Cam Lock



■开孔尺寸
Cut Out



型号 Product no.	产品单重(g) Weight	装箱数 Lot
MS7065Z-1-1	137.5	200

MS7065Z-1-1



K7040-01

- 材质: 锌合金锁体, 锁芯, 碳钢锁片
- 表面处理: 镀亮铬
- 适用门板厚度: 1-8mm
- 备注: 压缩式门锁, 压缩量约为5mm, 锁芯旋转180° 开锁。
- Material: Zinc die-casting body and insert steel cam
- Finish: Bright chrome plating
- Panel thickness: 1-8mm
- Remarks: Compression type lock The amount is about 5mm Turn the insert 180° to open lock

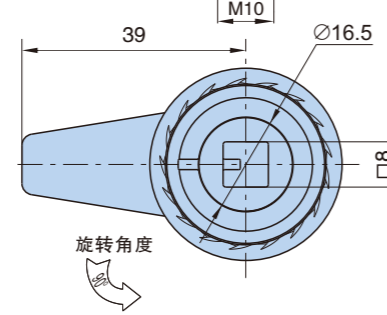
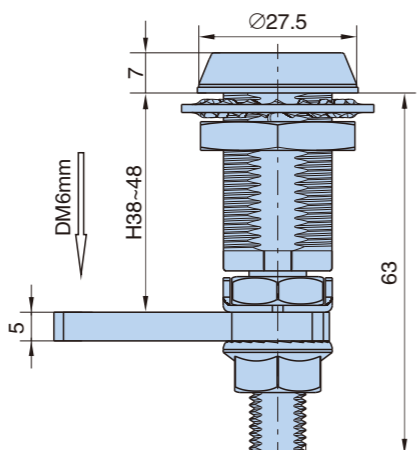
MS7063Z-1-1L

压缩式转舌锁 Compression Cam Lock

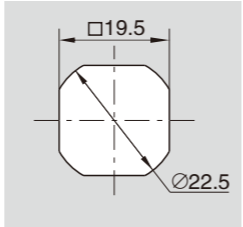


K7040-01

- 材质: 锌合金锁体, 锁芯, 碳钢锁片
- 表面处理: 镀亮铬
- 适用门板厚度: 1-8mm
- 备注: 压缩式门锁, 压缩量约为5mm, 锁芯旋转180° 开锁。
- Material: Zinc die-casting body and insert steel cam
- Finish: Bright chrome plating
- Panel thickness: 1-8mm
- Remarks: Compression type lock The amount is about 5mm Turn the insert 180° to open lock

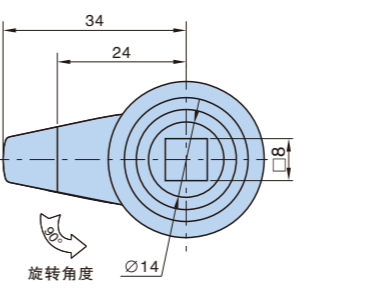
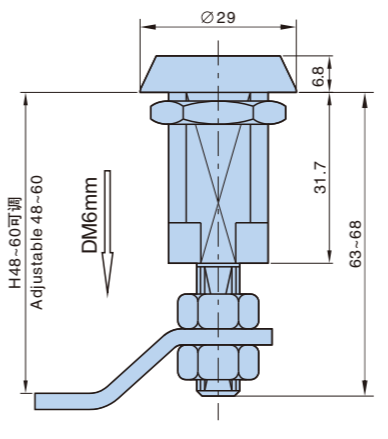


■开孔尺寸
Cut Out

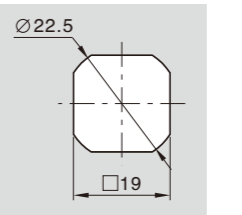


型号 Product no.	产品单重(g) Weight	装箱数 Lot
MS7063Z-1-1L	140	200

压缩式转舌锁 Compression Cam Lock



■开孔尺寸
Cut Out



产品型号及特性 Product Number	产品单重(g) Weight	装箱数 Lot	
三角芯 Triangular insert	MS817-3	125	200
四方芯 Square insert	MS817-4	127	200

MS817



K7030-07

MS817-3



K7040-01

MS817-4

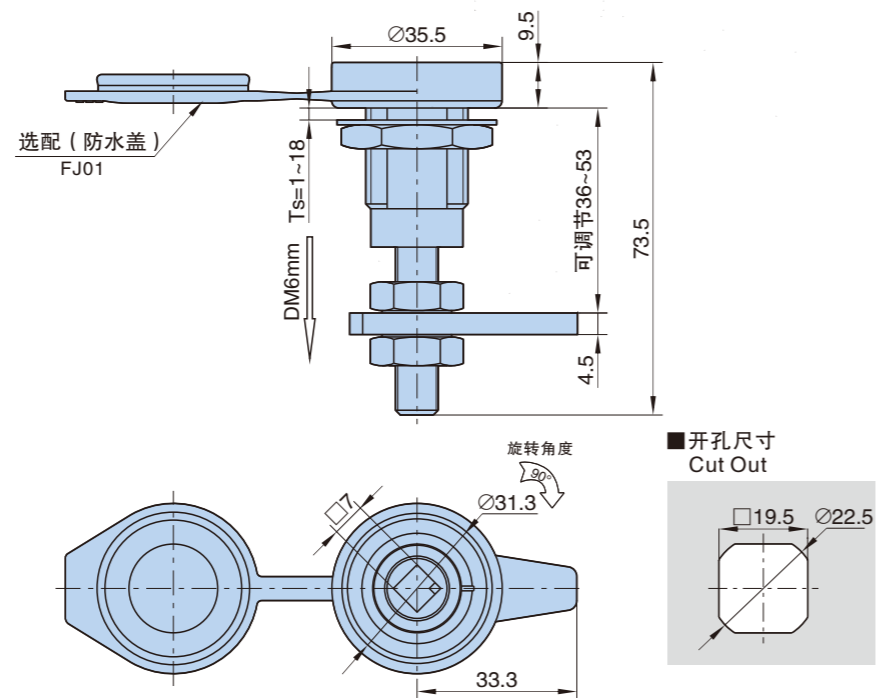
- 材质: 锌合金锁体, 螺母, 钥匙, 镀锌锁片
- 表面处理: 镀亮铬
- 适用门板厚度: 1-18mm
- 备注: 压缩式门锁, 压缩为6mm 四方芯顺时针开锁时型号为: MS817-4R. 锁芯旋转180°
- Material: Zinc die-casting body, nut and key, Zinc plating cam
- Finish: Bright chrome plating
- Panel thickness: 1-18mm
- Remark: compression latch, 6mm pull-up

MS817-2A-1

压缩式转舌锁 Compression Cam Lock

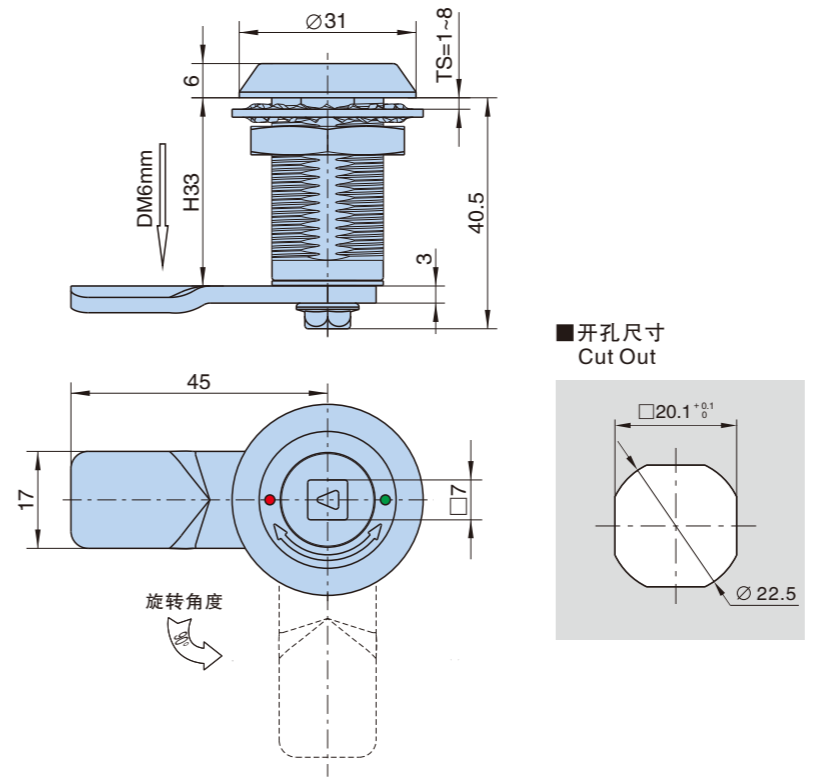


- 材质: 锌合金锁体, 锁芯, 螺母, 镀锌钢柱, 带防水盖
- 适用门板厚度: 1~18mm;
- 备注: 压缩式门锁, 压缩为6mm
- Material: zinc die-casting body, nut and key, M.S. Zinc plating cam;
- Panel thickness: 1~18mm;
- Remark: compression latch, 6mm pull-up



型号 Product no.	产品单重(g) Weight	装箱数 Lot
MS817-2A-1	146.5	200

压缩式转舌锁 Compression Cam Lock



型号 Product no.	产品单重(g) Weight	装箱数 Lot
MS7071Z-1-1	122.1	200

MS7071Z-1-1



MS7071Z-1-1

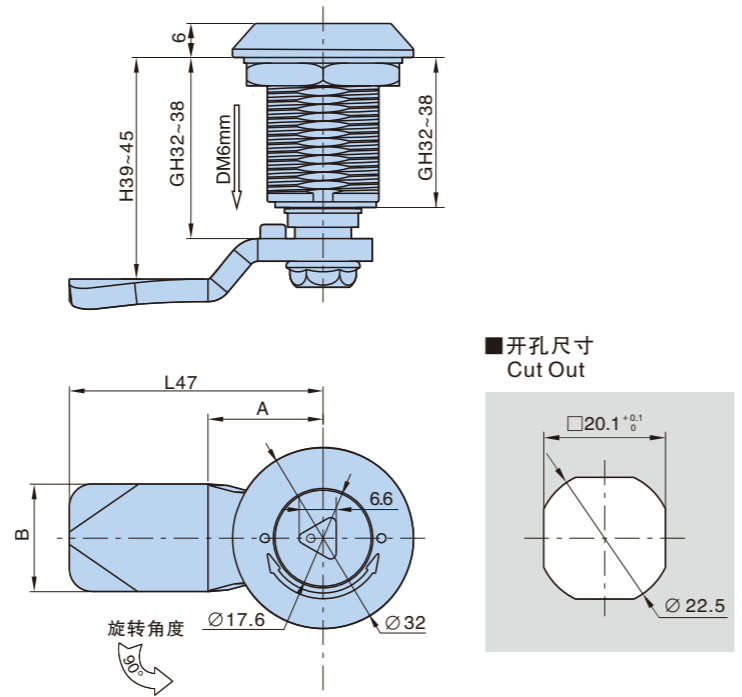
- 材质: 锌合金锁体, 锁芯, 碳钢锁片
- 表面处理: 镀亮铬
- 适用门板厚度: 1~8mm
- 结构功能: 压缩式门锁, 压缩量约为6mm, 锁芯旋转180° 开锁。
- 备注: 锁片开孔 8×8
- Material: Zinc die-casting body and insert steel cam
- Finish: Bright chrome plating
- Panel thickness: 1~8mm
- Function: Compression type lock The amount is about 6mm Turn the insert 180° to open lock
- Remark: Cam Cutout 8×8

MS712

压缩式转舌锁 Compression Cam Lock

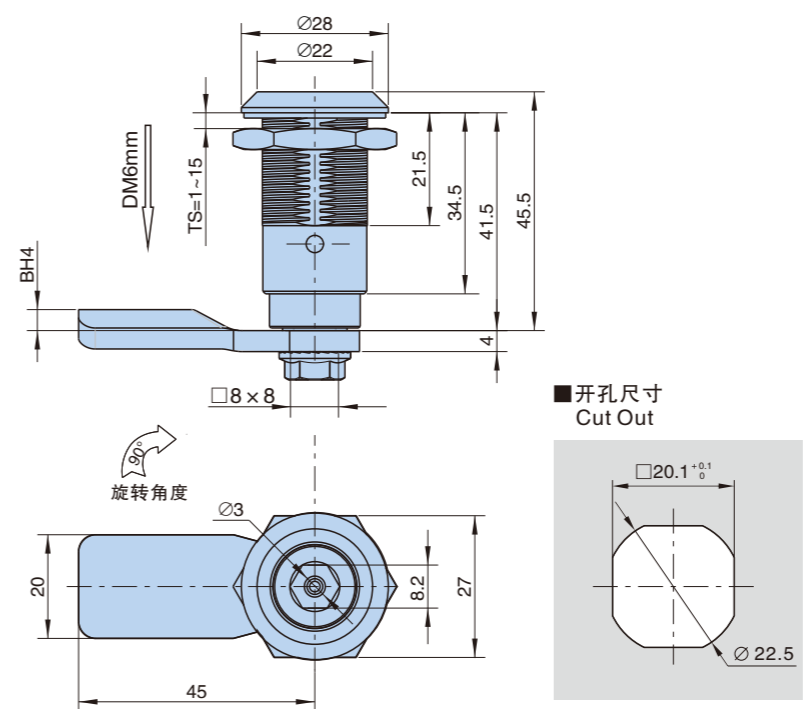


- 材质: 锌合金锁壳, 锁芯, 不锈钢芯轴, 镀锌锁片
- 表面处理: 镀亮铬
- 适用门板厚度: 1~8mm
- 结构功能: 压缩式门锁, 压缩量为6mm 锁芯旋转180° 开锁。
- 备注: 锁片开孔 8×8
- Material: Zinc die-casting body, Zinc plating steel cam
- Finish: Bright chrome plating
- Panel thickness: 1~8mm
- Function: compression lock, 6mm pull up Turn the insert 180° to open lock
- Remark: Cam Cutout 8×8



基本尺寸 Dimensions		产品型号 Product Number	产品单重(g) Weight	装箱数 Lot
A	B			
22	19.5	MS712-1	115	200
21	19	MS712-2	140	200

压缩式转舌锁 Compression Cam Lock



型号 Product no.	产品单重(g) Weight	装箱数 Lot
MS7075S-1	99.5	200

MS7075S-1-1



客户定制产品 customized product

- 材质: 全不锈钢
- 表面处理: 本色
- 结构功能: 压缩式门锁, 压缩量约为6mm, 锁芯旋转180° 开锁
- 适用门板厚度: 1~15mm
- 备注: 锁片开孔 8×8
- Material: Stainless steel
- Finish: Raw
- Function: Compression type lock The amount is about 6mm Turn the insert 180° to open lock
- Panel thickness: 1~15mm
- Remark: Cam Cutout 8×8

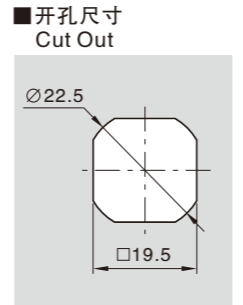
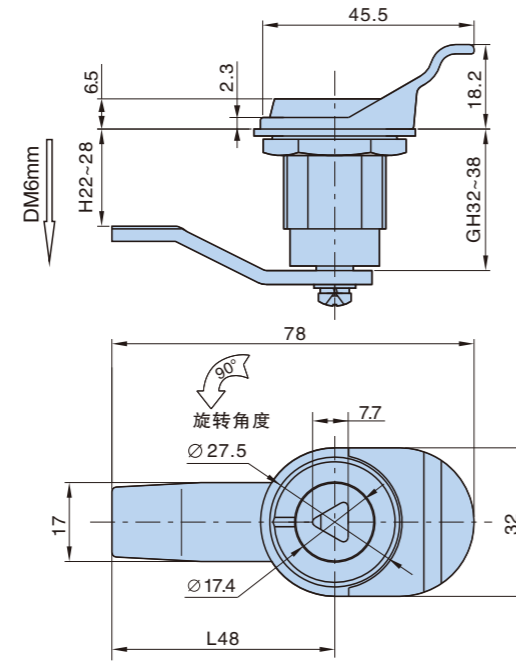
MS711-1-1

压缩式转舌锁 Compression Cam Lock



MS711-1-1L

- 材质: 锌合金锁体, 钥匙, PA手柄, 镀锌钢止动垫圈、锁片
- 表面处理: 镀亮铬
- 适用门板厚度: 1.5~8mm
- 备注: 此锁为压缩式门锁压缩量为6mm, 锁芯旋转180°, MS711-4-1L为四方锁芯
- Material: Zinc die-casting body and key, PA pull-tab, Zinc plating cam, fixing parts;
- Finish: Bright chrome plating
- Panel thickness: 1.5~8mm
- Remark: compression latch 6mm pull-up



产品型号及特性 Product Number					
无光黑 Black powder coated			镀亮铬 Bright chrome plating		
逆时针开锁 open by turn left	产品单重(g) Weight	装箱数 Lot	顺时针开锁 open by turn right	产品单重(g) Weight	装箱数 Lot
MS711-1-1L.3	95.5	200	MS711-1-1R.3	98.5	200
MS711-4-1L.3	98.5	200	MS711-4-1L.3	98.5	200

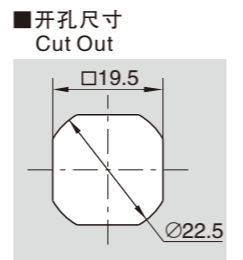
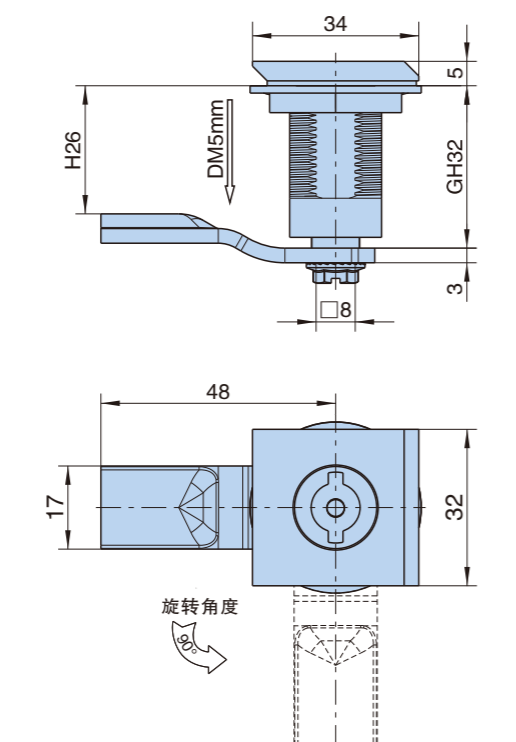
MS711-5-1

压缩式转舌锁 Compression Cam Lock



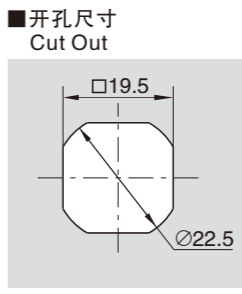
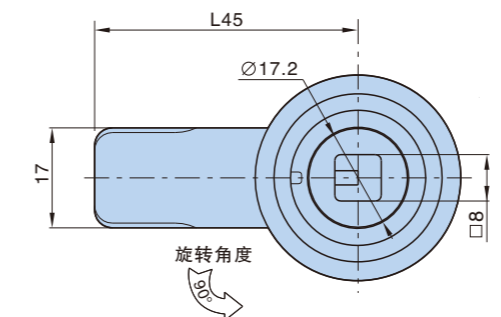
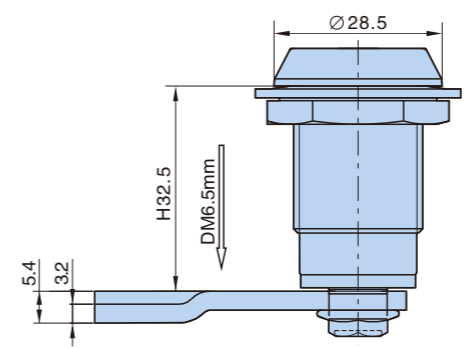
K7030-05

- 材质: 锌合金锁体, 锁芯, 碳钢锁片
- 表面处理: 喷无光黑
- 适用门板厚度: 1~8mm
- 备注: 压缩式门锁, 压缩量约为5mm, 锁芯旋转180° 开锁。
- Material: Zinc die-casting body steel cam
- Finish Black powder coated
- Panel thickness: 1~8mm
- Remarks: Compression lock 5mm Pull-up



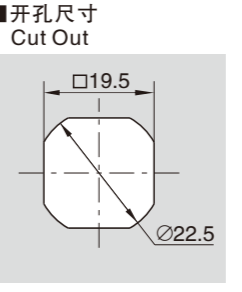
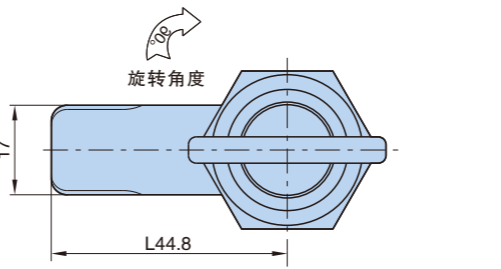
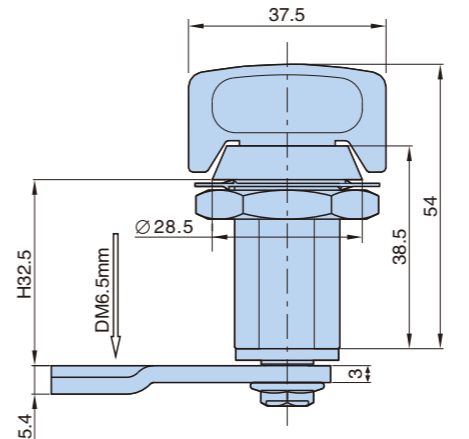
型号 Product no.	产品单重(g) Weight	装箱数 Lot
MS711-5-1	110.5	200

压缩式转舌锁 Compression Cam Lock



型号 Product no.	产品单重(g) Weight	装箱数 Lot
MS816-1	106.5	200

压缩式转舌锁 Compression Cam Lock



型号 Product no.	产品单重(g) Weight	装箱数 Lot
MS816-3	130.5	200

MS816-1



K7030-07

- 材质: 锌合金锁体, 镀锌钢止动垫圈、锁片
- 表面处理: 喷无光黑
- 适用门板厚度: 1~8mm
- 备注: 压缩式门锁, 压缩量约7mm, 锁芯旋转210°
- Material: Zinc die-casting body, Zinc plating cam;
- Finish: Black powder coated
- Panel thickness: 1~8mm
- Remark: compression latch, 7mm pull-up

MS816-3



- 材质: 锌合金锁体, 镀锌钢止动垫、锁片
- 表面处理: 喷无光黑
- 适用门板厚度: 1~8mm
- 备注: 压缩式门锁, 压缩量约7mm, 锁芯旋转210°
- Material: Zinc die-casting body, Zinc plating stopping pad, cam
- Panel thickness: 1~8mm
- Finish: Black powder coated
- Remark: Compression Latch, 7mm pull-up

A拉手系列
Handles series

B平面锁系列
Plane lock series

C连杆锁系列
Rod control series

D面板锁系列
Plane lock series

E执手锁系列
Handle lock series

F转舌锁系列
Cam lock series

G铰链系列
Hinge series

H搭扣锁系列
Toggle lock series

I门销系列
Door bolt series

J电子锁系列
Electronic lock series

K密封条系列
Gasketing series

L限位系列
Door stop series

M附件系列
Accessories series

N不锈钢件系列
Stainless steel series

索引
Index

A拉手系列
Handles series

B平面锁系列
Plane lock series

C连杆锁系列
Rod control series

D面板锁系列
Plane lock series

E执手锁系列
Handle lock series

F转舌锁系列
Cam lock series

G铰链系列
Hinge series

H搭扣锁系列
Toggle lock series

I门销系列
Door bolt series

J电子锁系列
Electronic lock series

K密封条系列
Gasketing series

L限位系列
Door stop series

M附件系列
Accessories series

N不锈钢件系列
Stainless steel series

索引
Index

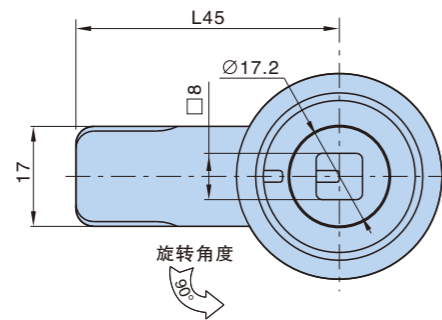
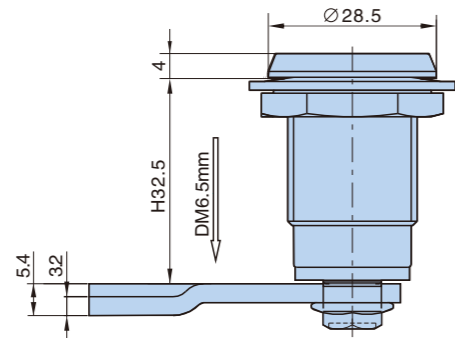
MS816-2-2

压缩式转舌锁 Compression Cam Lock

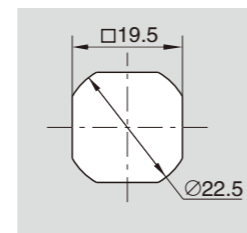


K7030-07

- 材质: 锌合金锁体, 镀锌钢止动垫圈、锁片
- 表面处理: 喷无光黑
- 适用门板厚度: 1~8mm
- 备注: 压缩式门锁, 压缩量约7mm, 锁芯旋转210°
- Material: Zinc die-casting body, Zinc plating cam;
- Finish: Black powder coated
- Panel thickness: 1~8mm
- Remark: compression latch, 7mm pull-up



■ 开孔尺寸
Cut Out



型号 Product no.	产品单重(g) Weight	装箱数 Lot
MS816-2-2R		
MS816-2-2L		

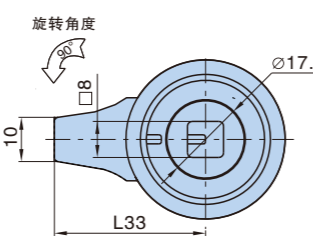
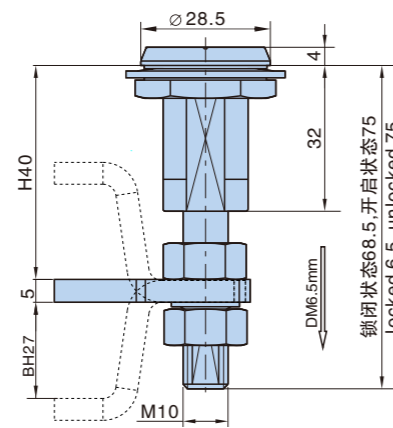
MS816-2

压缩式转舌锁 Compression Cam Lock

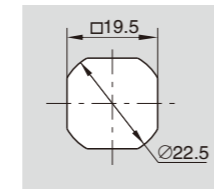


K7030-07

- 材质: 锌合金锁体, 镀锌钢止动垫圈、锁片
- 表面处理: 喷无光黑
- 适用门板厚度: 1~8mm
- 备注: 压缩式门锁, 压缩量约为7mm, 钢栓有平片、折高12mm和27mm之分, 锁芯旋转210°
- Material: Zinc die-casting body, Zinc plating cam
- Finish: Black powder coated
- Panel thickness: 1~8mm
- Remark: compression Latch, 7mm pull-up



■ 开孔尺寸
Cut Out

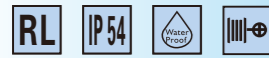


型号 Product no.	产品单重(g) Weight	装箱数 Lot
MS816-2-1R	110	200
MS816-2-1L	110	200

备注:

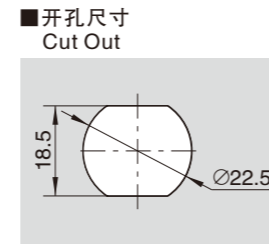
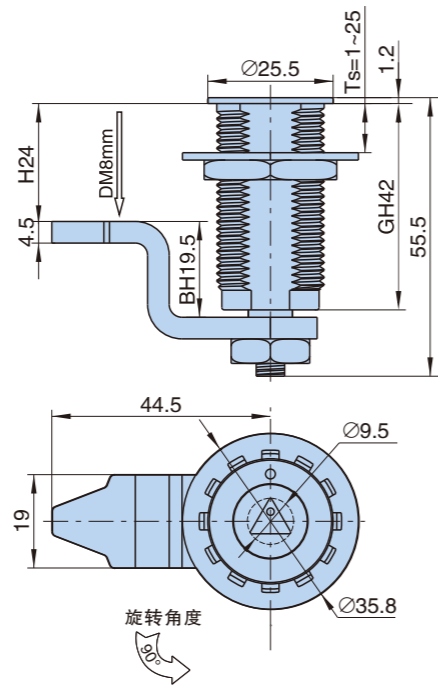
MS714

压缩式转舌锁 Compression Cam Lock



K7030-07

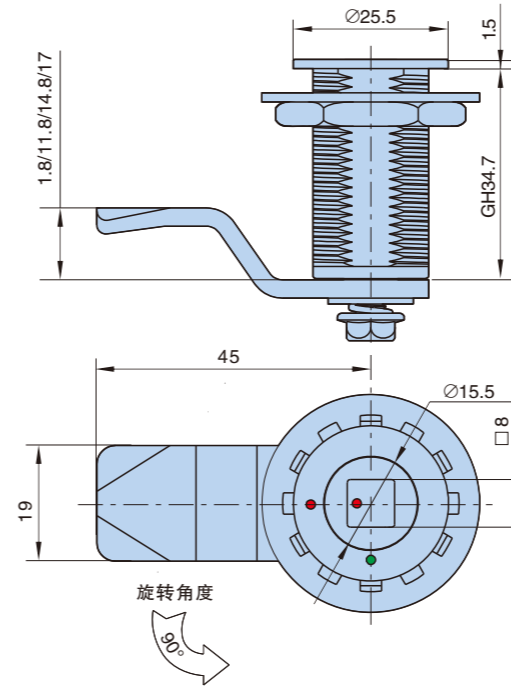
- 材质: 锌合金锁壳, 锁芯, 镀锌钢柱, 芯轴;
- 适用门板厚度: 1~35mm;
- 备注: 压缩式门锁, 压缩7mm.
- Material: zinc die-casting body, insert
- M.S. Zinc plating cam
- Panel thickness: 1~35mm



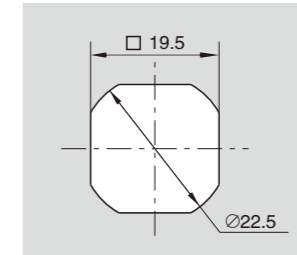
开启方向, 锁芯旋转角度180, 锁闭是点对点;

型号 Product no.	产品单重(g) Weight	装箱数 Lot
MS714		200

工具锁芯转舌锁 Tool Type Cam Lock



■ 开孔尺寸
Cut Out



型号 Product no.	产品单重(g) Weight	装箱数 Lot
MS728-2-1	102	200

MS728-2-1

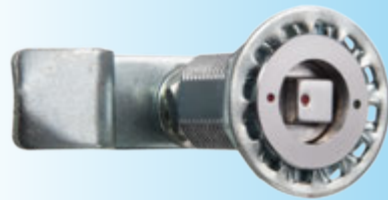


K7040-01

- 材质: 锌合金锁体, 镀锌锁片
- 表面处理: 镀亮铬
- 适用门板厚度: 1~15mm;
- Material: Zinc die-casting body, Zinc plating cam
- Finish: Bright chrome plating
- Panel thickness: 1~15mm

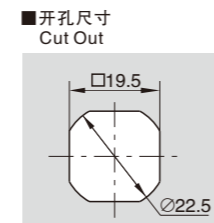
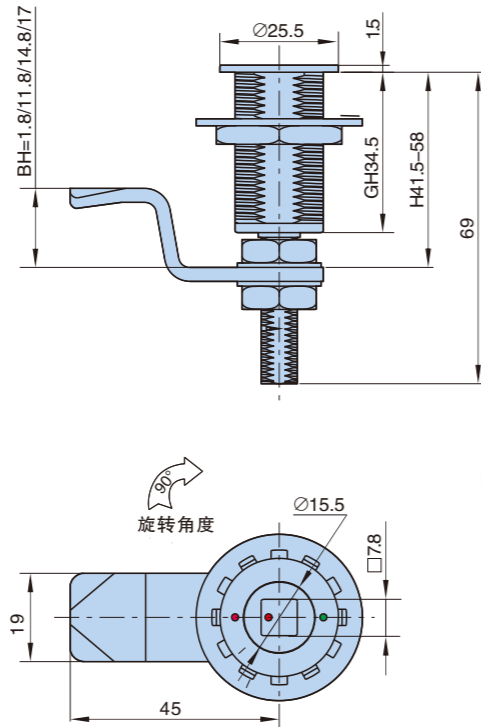
MS728-1-1

压缩式转舌锁 Compression Cam Lock



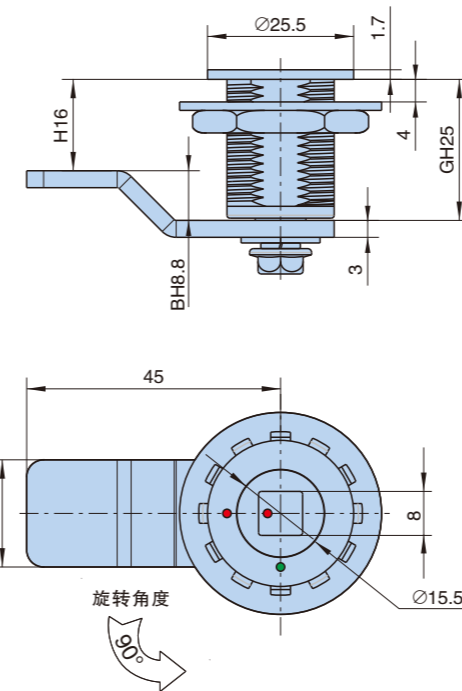
K7040-01

- 材质: 锌合金锁体, 镀锌锁片
- 表面处理: 镀亮铬
- 适用门板厚度: 1~25mm;
- 备注: 压缩式门锁, 伸缩量为7mm, 锁芯旋转180°
- Material: Zinc die-casting body, Zinc plating cam
- Finish: Bright chrome plating
- Panel thickness: 1~25mm
- Remark: compression latch, 7mm pull-up

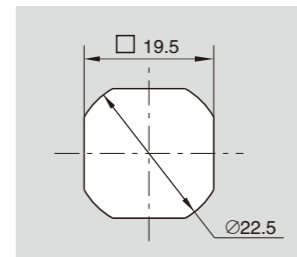


型号 Product no.	产品单重(g) Weight	装箱数 Lot
MS728-1-1	105	200

工具锁芯转舌锁 Tool Type Cam Lock



■ 开孔尺寸
Cut Out



型号 Product no.	产品单重(g) Weight	装箱数 Lot
MS728-2-2		

MS728-2-2

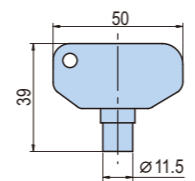
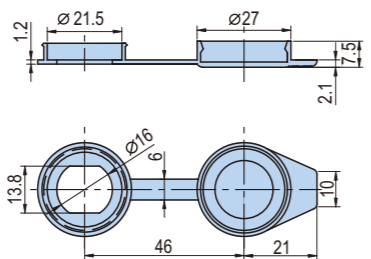
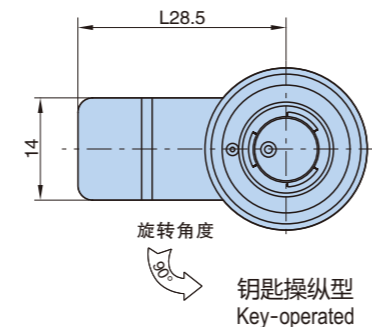
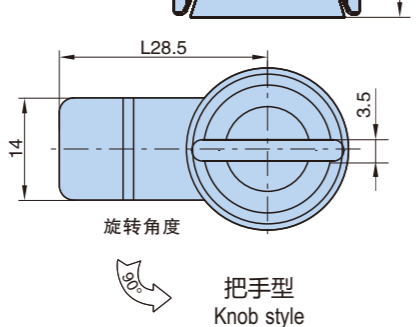
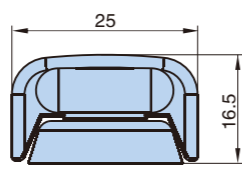
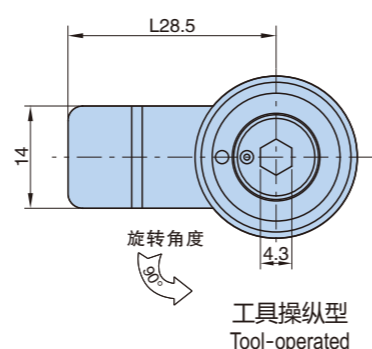
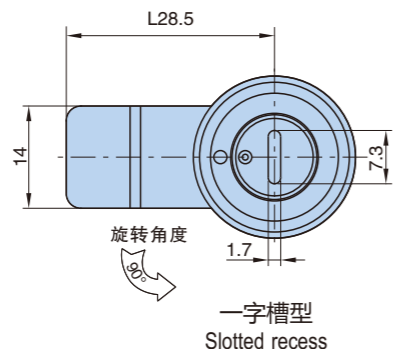
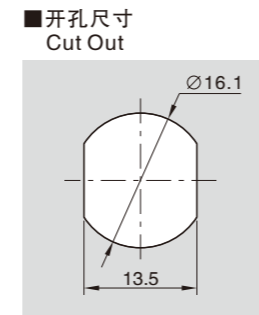
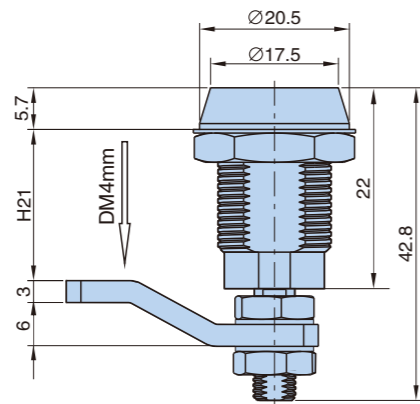


K7040-01

- 材质: 锌合金锁体, 镀锌锁片
- 表面处理: 镀亮铬
- 适用门板厚度: 1~15mm;
- Material: Zinc die-casting body, Zinc plating cam
- Finish: Bright chrome plating
- Panel thickness: 1~15mm

MS715

压缩式转舌锁 Compression Cam Lock

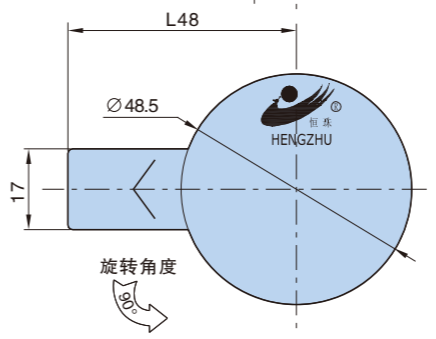
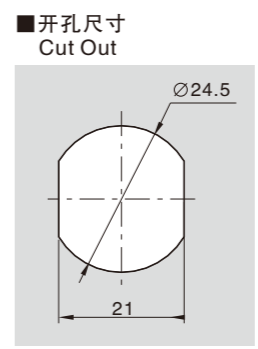
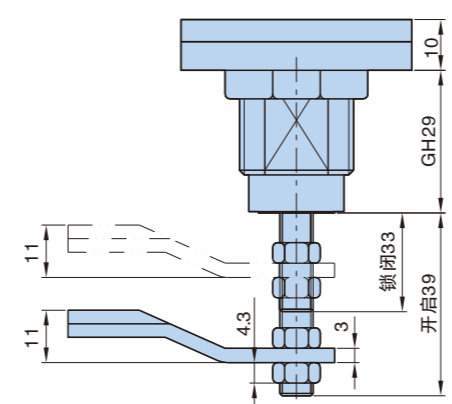


钢镀镍钥匙, 适用于钥匙操纵型号
Nickel plated Key, for key operated

型号 Product no.	锁芯形状 (Insert)	产品单重(g) Weight	装箱数 Lot
MS715-1-1	一字槽型 Slotted recess	45	500
MS715-1-2	工具操纵型 Tool-operated	50	500
MS715-1-3	把手型 Knob style	可定制生产	
MS715-1-4	钥匙操纵型 Key operated	可定制生产	

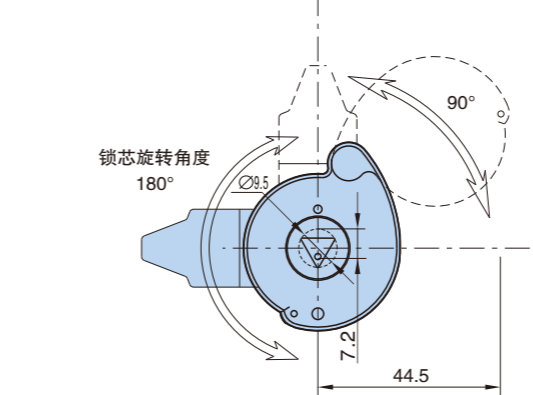
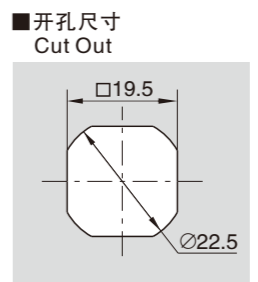
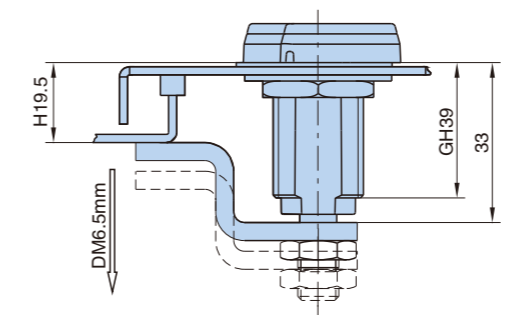
- 材质: 锌合金锁壳、锁芯, 镀锌铜螺帽、螺栓
- 表面处理: 喷无光黑
- 适用门板厚度: 1~8mm
- 备注: 锁芯旋转180°
- Material: Zinc die-casting housing and insert, Zinc plating Screw Bolt
- Finish: Black powder coated
- Panel thickness: 1~8mm

压缩式转舌锁 Compression Cam Lock



型号 Product no.	产品单重(g) Weight	装箱数 Lot
MS814	183	100

压缩式转舌锁 Compression Cam Lock



型号 Product no.	产品单重(g) Weight	装箱数 Lot
MS816-4	165	200

MS814



K7030-05

- 材质: 锌合金锁体, 螺母, 钥匙, 镀锌锁片
- 适用门板厚度: 1~4mm
- 备注: 压缩式门锁, 压缩量为6mm, 锁芯旋转180°
- Material: Zinc die-casting body, nut and key, Zinc plating cam;
- Panel thickness: 1~4mm
- Remark: compression latch 6mm pull-up

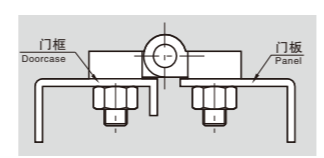
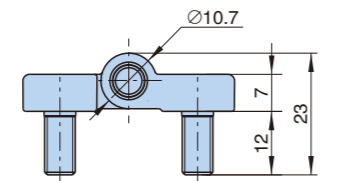
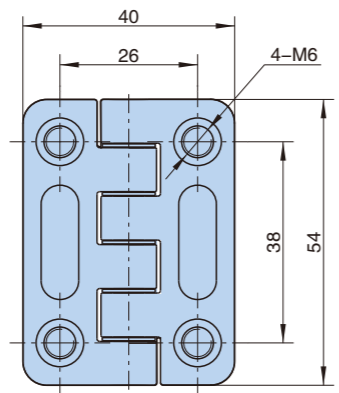
MS816-4



- 材质: 锌合金锁体, 镀锌钢止动垫、锁片
- 表面处理: 镀亮铬
- 适用门板厚度: 1~8mm
- 备注: 压缩式门锁, 压缩量约7mm
- Material: Zinc die-casting body, Zinc plating stopping pad, cam
- Finish: Bright chrome plating
- Panel thickness: 1~8mm
- Remark: Compression Latch 7mm pull-up

HL009-1A

平面安装外露式铰链 Flat Mounting Exposed Hinge

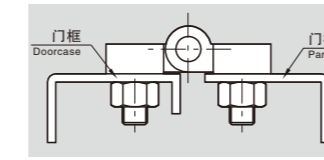
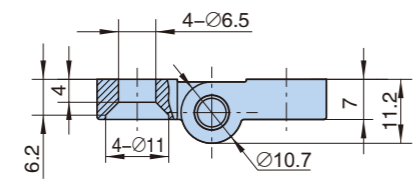
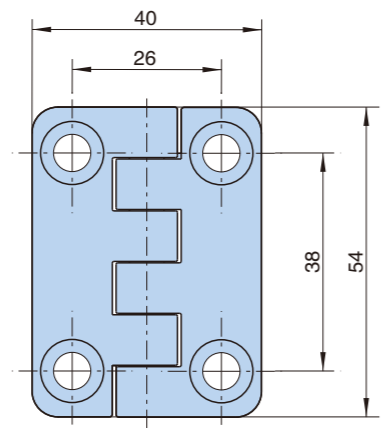


- 材质: 锌合金动、静铰链, 分不锈钢和镀镍钢销子及镶嵌螺钉;
- 备注: 转动约180°, 可加铜垫片。
- Material: Zinc die-casting hinge, stainless steel and nickel plating steel pin are available.
- Remark: 180° hinge.

型号 Product no.	产品单重(g) Weight	装箱数 Lot
HL009-1A	108	200

HL009-2

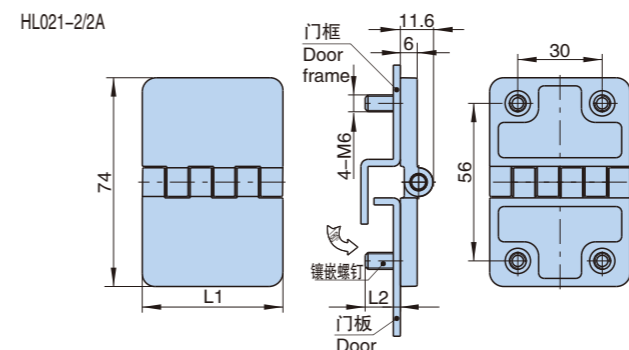
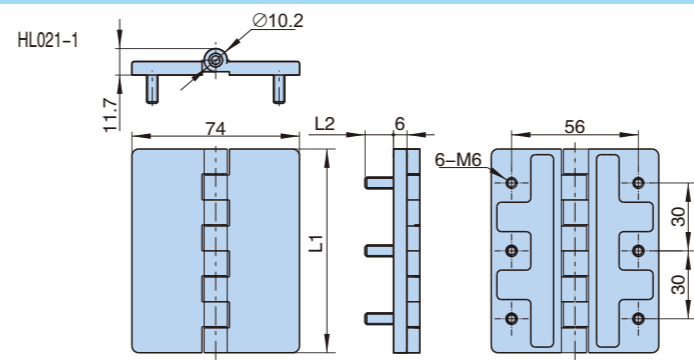
平面安装外露式铰链 Flat Mounting Exposed Hinge



- 材质: 锌合金动、静铰链, 分不锈钢和镀镍钢销子及镶嵌螺钉;
- 备注: 转动约180°, 可加铜垫片。
- Material: Zinc die-casting hinge, stainless steel and nickel plating steel pin are available.
- Remark: 180° hinge.

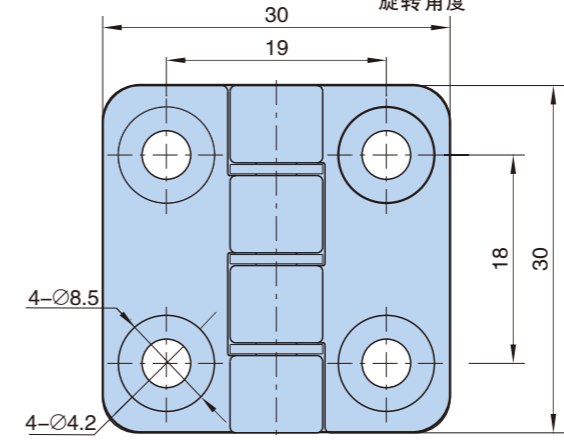
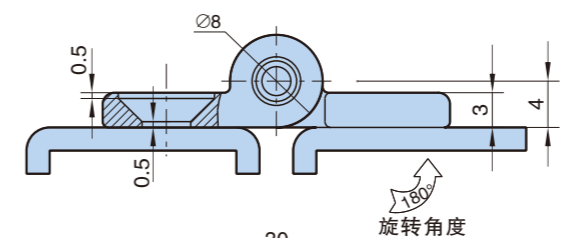
型号 Product no.	产品单重(g) Weight	装箱数 Lot
HL009-2	85	250

平面安装外露式铰链 Flat Mounting Exposed Hinge



型号 Product no.	基本尺寸Dimensions		产品单重(g) Weight	装箱数 Lot
	L1	L2		
HL021-1	90	12.5	232	100
HL021-2	50	12.5	137	200
HL021-2A(带垫)	50	12.5	128.7	200

平面安装外露式铰链 Flat Mounting Exposed Hinge



型号 Product no.	产品单重(g) Weight	装箱数 Lot
HL135	20.5	500

HL021



HL021-1



HL021-2A HL021-2

- 材质: 锌合金动、静铰链, 分不锈钢和镀镍钢销子
- 表面处理: 喷无光黑
- 备注: 转动约180°
- Material: Zinc die-casting hinge, stainless steel and nickel plating steel pin are available
- Finish: Black powder coated
- Remark: 180° hinge.

HL135



- 材质: 锌合金铰链, 不锈钢销子, 垫片
- 表面处理: 镀亮铬, 镀沙铬, 喷无光黑
- 备注: 旋转约180°
- Material: Zinc die-casting hinge, stainless steel pins, washers
- Finish: Bright chrome plating, Gray chrome plating, Black powder coated
- Remarks: 180° hinge

A拉手系列 Handles series

B平面锁系列 Plane lock series

C连杆锁系列 Rod control series

D面板锁系列 Plane lock series

E执手锁系列 Handle lock series

F转舌锁系列 Cam lock series

G铰链系列 Hinge series

H搭扣锁系列 Toggle lock series

I门销系列 Door bolt series

J电子锁系列 Electronic lock series

K密封条系列 Gasketing series

L限位系列 Door stop series

M附件系列 Accessories series

N不锈钢件系列 Stainless steel series

索引 Index

A拉手系列 Handles series

B平面锁系列 Plane lock series

C连杆锁系列 Rod control series

D面板锁系列 Plane lock series

E执手锁系列 Handle lock series

F转舌锁系列 Cam lock series

G铰链系列 Hinge series

H搭扣锁系列 Toggle lock series

I门销系列 Door bolt series

J电子锁系列 Electronic lock series

K密封条系列 Gasketing series

L限位系列 Door stop series

M附件系列 Accessories series

N不锈钢件系列 Stainless steel series

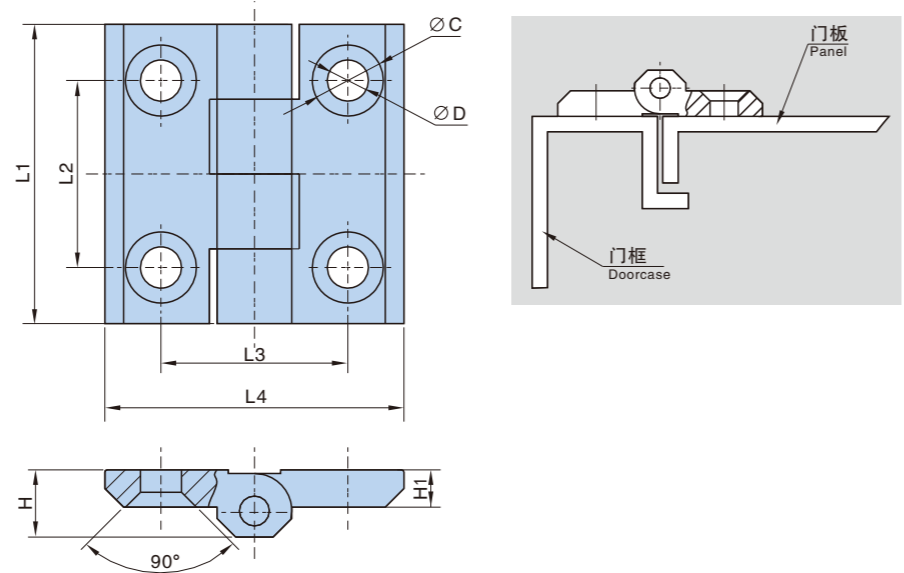
索引 Index

HL050

平面安装外露式铰链 Flat Mounting Exposed Hinge

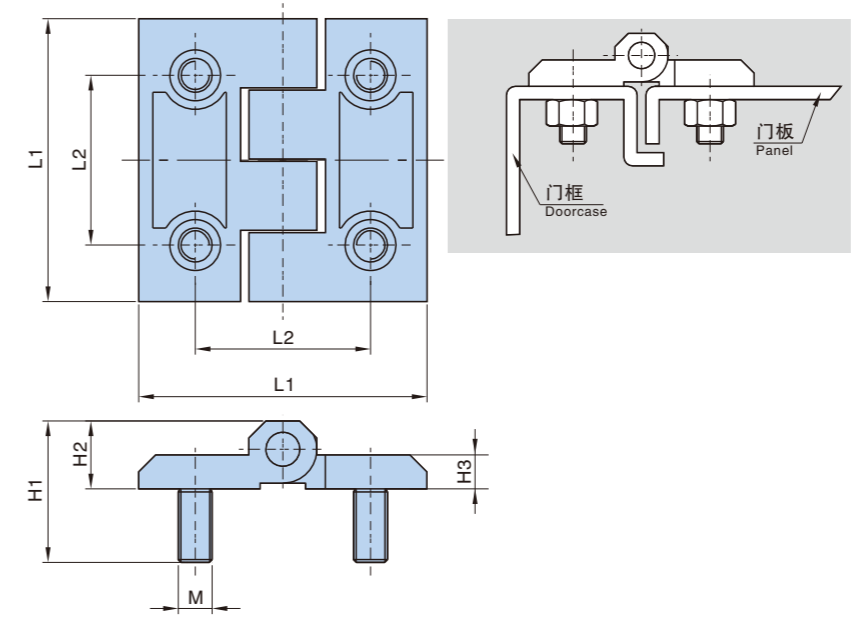


- 材质: 锌合金动、静铰链, 分不锈钢和镀镍钢销子
- 备注: 转动约180°
- Material: Zinc die-casting hinge, stainless steel and nickel plating steel pin are available
- Remark: 180° hinge



基本尺寸 Dimensions								产品型号及特性 Product Number			
L1	L2	L3	L4	H	ØC	ØD	H1	喷无光黑 Black powder coated	镀亮铬 Bright chrome plating	产品单重(g) Weight	装箱数 Lot
60	36	36	60	15	15.5	8.5	8	HL050-1.3	HL050-1.1	142	200
50	30	30	51	12	12.5	6.3	6	HL050-2.3	HL050-2.1	89.5	400
40	25	25	40	9	10	5.3	5	HL050-3.3	HL050-3.1	45	500
50	30	56	76	12	12.5	6.5	6	HL050-2G.3	HL050-2G.1	120.5	200
70	40	60	90	15	16.5	8.7	8	HL050-1G.3	HL050-1G.1	350	500

平面安装外露式铰链 Flat Mounting Exposed Hinge



基本尺寸 Dimensions						产品型号及特性 Product Number		产品单重(g) Weight	装箱数 Lot
L1	L2	H1	H2	M	H3	喷无光黑 Black powder coated	镀亮铬 Bright chrome plating		
60	36	29	15	8	8	HL051-1.3	HL051-1.1	208	150
51	30	25	12	6	6	HL051-2.3	HL051-2.1	119.5	200
40	25	21	9	5	5	HL051-3.3	HL051-3.1	62	400

HL051



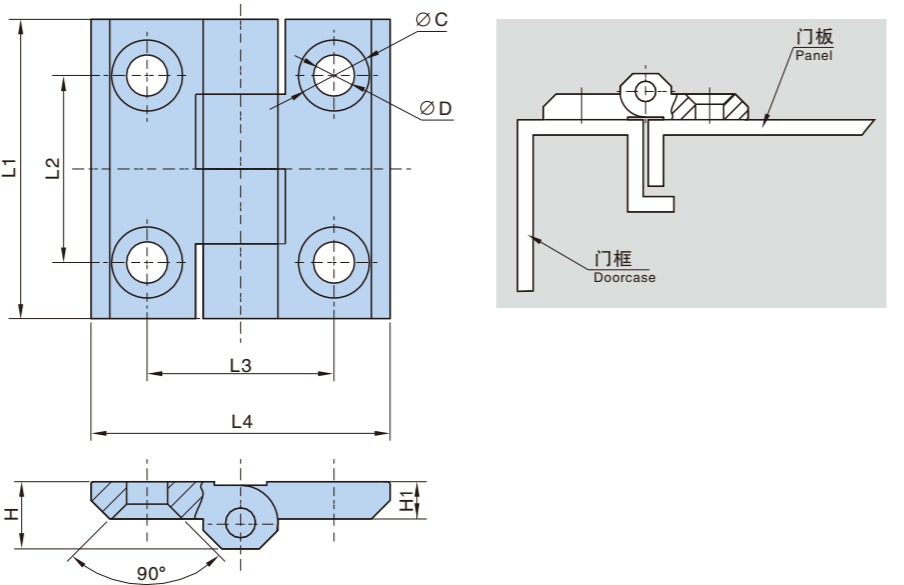
- 材质: 锌合金动、静铰链, 分不锈钢和镀镍钢销子及镶嵌螺钉;
- 备注: 转动约180°
- Material: Zinc die-casting hinge, stainless steel and nickel plating steel pin are available.
- Remark: 180° hinge

HL050-S

平面安装外露式铰链 Flat Mounting Exposed Hinge

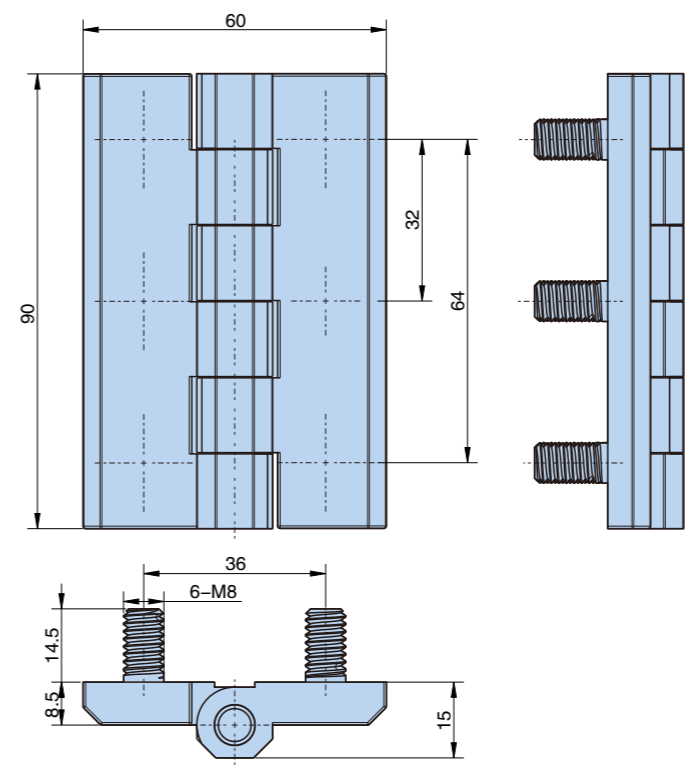


- 材质: 不锈钢动、静铰链, 不锈钢销子
- 表面处理: 拉丝
- 备注: 旋转约180°
- Material: stainless steel hinge, stainless steel pin
- Remark: 180° hinge
- Finish: wire drawing



基本尺寸 Dimensions								产品型号及特性 Product Number			
L1	L2	L3	L4	H	ØC	ØD	H1	不锈钢 Stainless steel	产品单重(g) Weight	装箱数 Lot	
60	36	36	60	15	15	8.5	8	HL050-1S	168.2	200	
50	30	30	51	12	12.5	6.3	6	HL050-2S	102	200	
40	25	25	40	9	10	5.3	5	HL050-3S	50	500	
50	30	56	76	12	12.5	6.5	6	HL050-2GS	145	200	

平面安装外露式铰链 Flat Mounting Exposed Hinge



型号 Product no.	产品单重(g) Weight	装箱数 Lot
HL051-1A		

HL051-1A



- 材质: 锌合金动、静铰链, 分不锈钢和镀镍钢销子及镶嵌螺钉;
- 备注: 转动约180°
- Material: Zinc die-casting hinge, stainless steel and nickel plating steel pin are available.
- Remark: 180° hinge

可定制产品 Customizable products

A拉手系列
Handles series

B平面锁系列
Plane lock series

C连杆锁系列
Rod control series

D面板锁系列
Plane lock series

E执手锁系列
Handle lock series

F转舌锁系列
Cam lock series

G铰链系列
Hinge series

H搭扣锁系列
Toggle lock series

I门销系列
Door bolt series

J电子锁系列
Electronic lock series

K密封条系列
Gasketing series

L限位系列
Door stop series

M附件系列
Accessories series

N不锈钢件系列
Stainless steel series

索引
Index

A拉手系列
Handles series

B平面锁系列
Plane lock series

C连杆锁系列
Rod control series

D面板锁系列
Plane lock series

E执手锁系列
Handle lock series

F转舌锁系列
Cam lock series

G铰链系列
Hinge series

H搭扣锁系列
Toggle lock series

I门销系列
Door bolt series

J电子锁系列
Electronic lock series

K密封条系列
Gasketing series

L限位系列
Door stop series

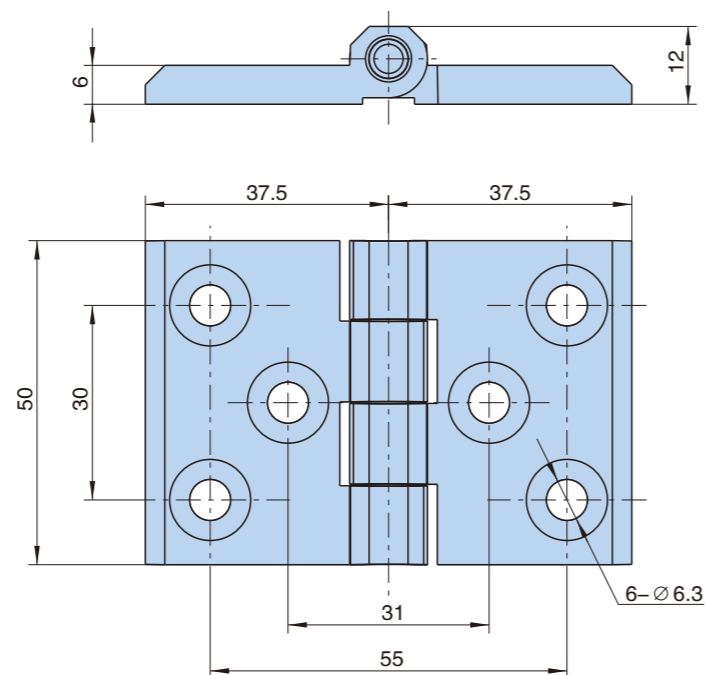
M附件系列
Accessories series

N不锈钢件系列
Stainless steel series

索引
Index

HL050-2A

平面安装外露式铰链 Flat Mounting Exposed Hinge

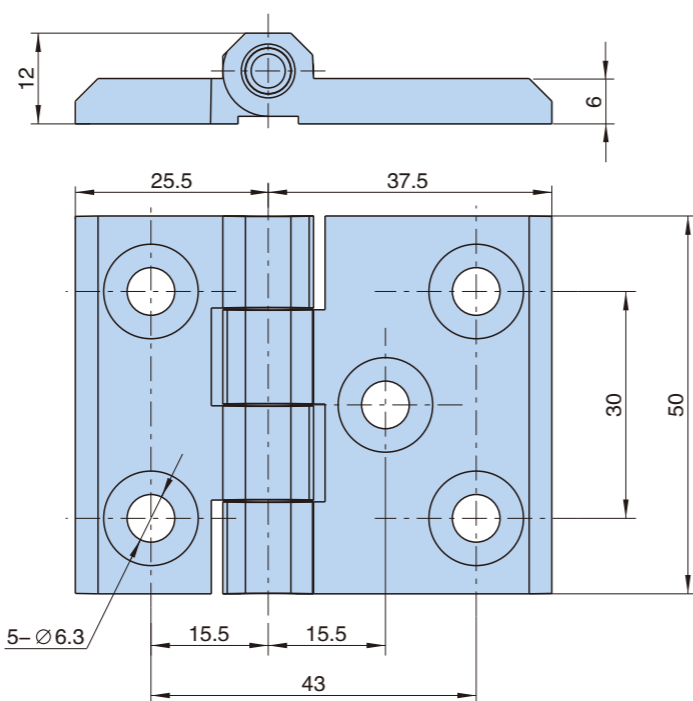


- 材质: 锌合金铰链, A3销子,
- 表面处理: 镀亮铬
- 结构功能: 可开启度180°
- Material: zinc alloy hinge, A3 for the pin
- Finish: bright chrome
- Function: 180° hinge

型号 Product no.	产品单重(g) Weight	装箱数 Lot
HL050-2A	112.9	200

HL050-2B

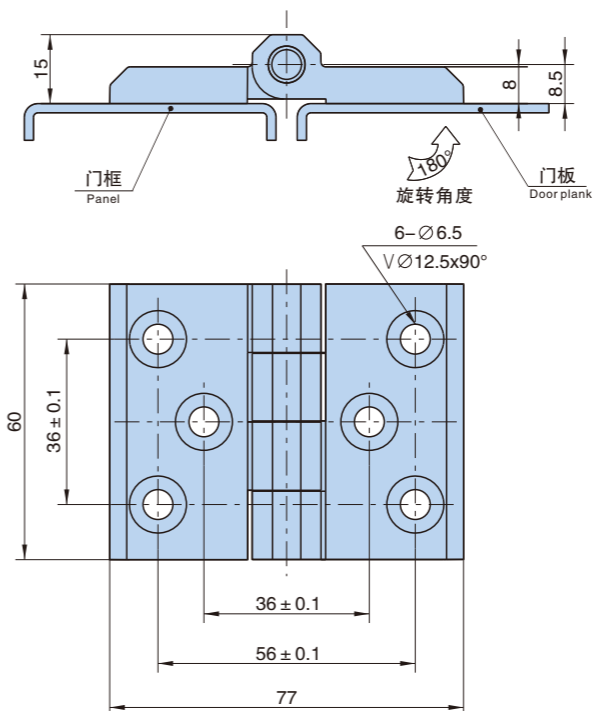
平面安装外露式铰链 Flat Mounting Exposed Hinge



- 材质: 锌合金铰链, A3销子,
- 表面处理: 镀亮铬
- 结构功能: 可开启度180°
- Material: zinc alloy hinge, A3 for the pin
- Finish: bright chrome
- Function: 180° hinge

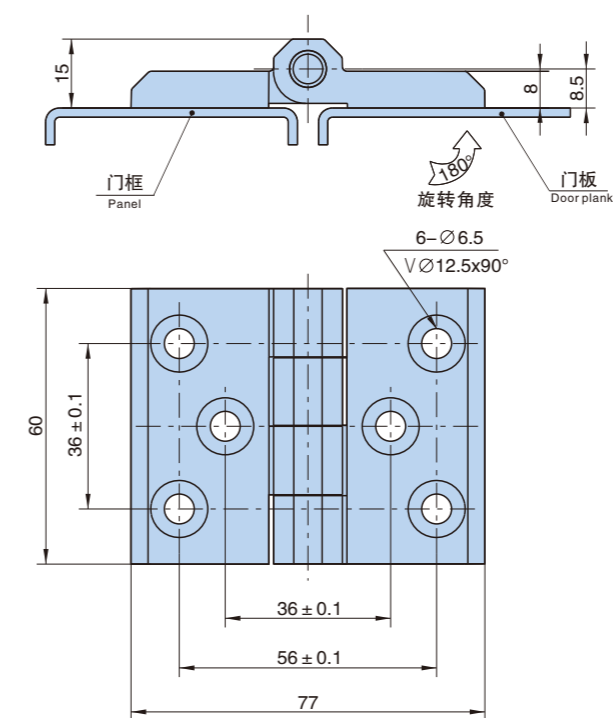
型号 Product no.	产品单重(g) Weight	装箱数 Lot
HL050-2B	101.5	200

平面安装外露式铰链 Flat Mounting Exposed Hinge



型号 Product no.	产品单重(g) Weight	装箱数 Lot
HL133	201	100

平面安装外露式铰链 Flat Mounting Exposed Hinge



型号 Product no.	产品单重(g) Weight	装箱数 Lot
HL133S	223	200

HL133



- 材质: 锌合金铰链, 碳钢销子
- 表面处理: 喷无光黑
- 备注: 可开启角度180°
- Material: zinc alloy hinge, steel for the pin.
- Finish: matt black.
- Remark: 180° hinge.

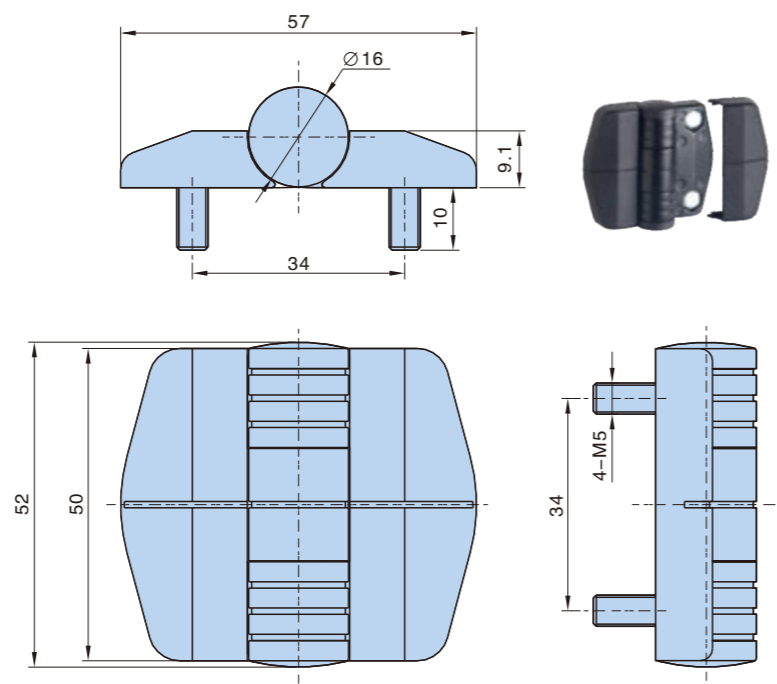
HL133S



- 材质: 不锈钢铰链、销子
- 表面处理: 拉丝
- 备注: 旋转约180°
- Material: Stainless steel hinge and pin
- Finish: drawing
- Remark: 180° hinge

HL045

带隐藏螺钉盖外露式铰链 Exposed Hinge With Hidden Screw Cover

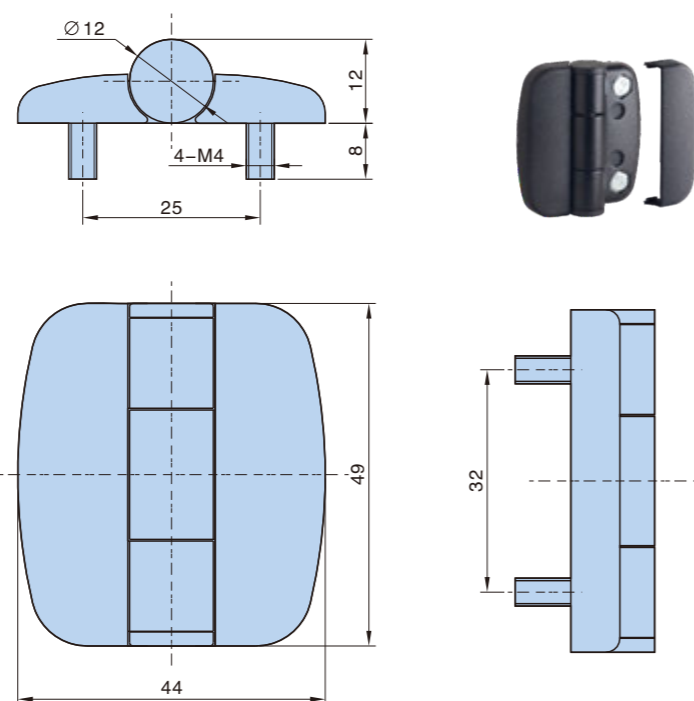


- 材质: 锌合金动、静铰链, 带塑料防水盖, 分不锈钢和镀镍钢销子及镶嵌螺钉
- 表面处理: 喷沙纹黑
- 备注: 转动约165°
- Material: Zinc die-casting hinge, plastic waterproof cap, stainless steel and nickel plating steel pin are available
- Finish: Matt black
- Remark: 165° hinge.

型号 Product no.	产品单重(g) Weight	装箱数 Lot
HL045	143	200

HL042

带隐藏螺钉盖外露式铰链 Exposed Hinge With Hidden Screw Cover



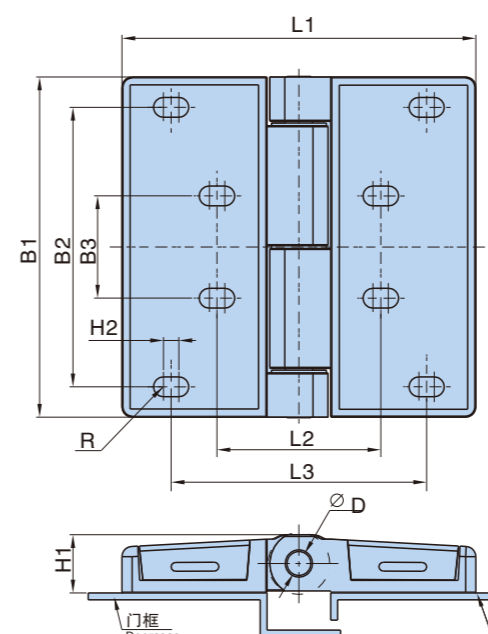
- 材质: 锌合金动、静铰链, 带塑料防水盖, 分不锈钢和镀镍钢销子及镶嵌螺钉
- 表面处理: 喷沙纹黑
- 备注: 转动约180°
- Material: Zinc die-casting hinge, plastic waterproof cap, stainless steel and nickel plating steel pin are available
- Finish: Matt black
- Remark: 180° hinge

型号 Product no.	产品单重(g) Weight	装箱数 Lot
HL042	77.5	300

G007

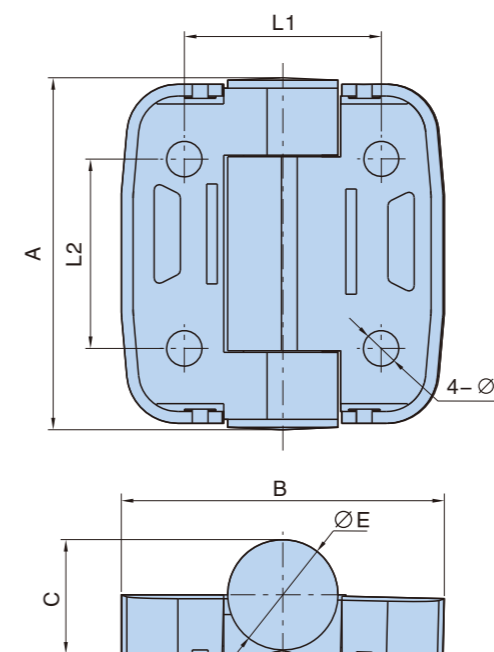
恒珠柜锁 电话(TEL):0795-2119999, 3256555 E-mail: admin@hengzhu.com

带隐藏螺钉盖外露式铰链 Exposed Hinge With Hidden Screw Cover



基本尺寸 Dimensions										产品型号及特性 Product Number		产品单重(g) Weight	装箱数 Lot
L1	L2	L3	B1	B2	B3	H1	H2	R	∅D	喷沙镀铬 Matt gray chrome plating			
104	48	75	100	82	30	17	4.5	2.9	8	HL058-1	558	60	
86	42	62	80	55	25	14.5	2.8	2.6	8	HL058-2	321	100	
63	30.4	45.4	60	40	20	11.5	1.3	2.1	6	HL058-3	146	200	

带隐藏螺钉盖外露式铰链 Exposed Hinge With Hidden Screw Cover



基本尺寸 Dimensions							产品型号及特性 Product Number		产品单重(g) Weight	装箱数 Lot
A	B	C	∅D	∅E	L1	L2				
62.5	58	20.8	∅6.5	∅20	36	36	HL091-1	46	400	
44.6	41	14.5	∅4.5	∅14	25	24	HL091-2	18	500	

恒珠柜锁 电话(TEL):0795-2119999, 3256555 E-mail: admin@hengzhu.com

HL058



HL058-1



HL058-3

- 材质: 锌合金动、静铰链, 分不锈钢和镀镍钢销子, 镜面不锈钢盖板、铜垫圈;
- 备注: 转动约180°
- Material: Zinc die-casting hinge, stainless steel and nickel plating steel pin are available, Mirror surface stainless steel cover, brass washer.
- Remark: 180° hinge.

HL091



HL091-1



HL091-2

- 材质: PA-6动静铰链
- 表面处理: 黑色沙纹面
- 备注: 明铰链, 左右开门通用, 门板转动约为180°
- Material: PA-6 hinge
- Finish: Matt black
- Remark: 180° prominent hinge both left and right use

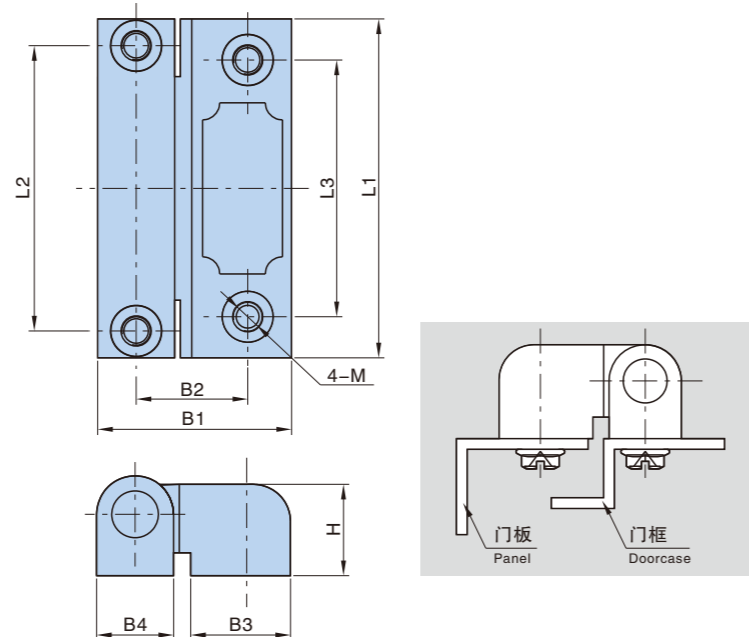
G008

HL023

平面安装外露式铰链 Flat Mounting Exposed Hinge

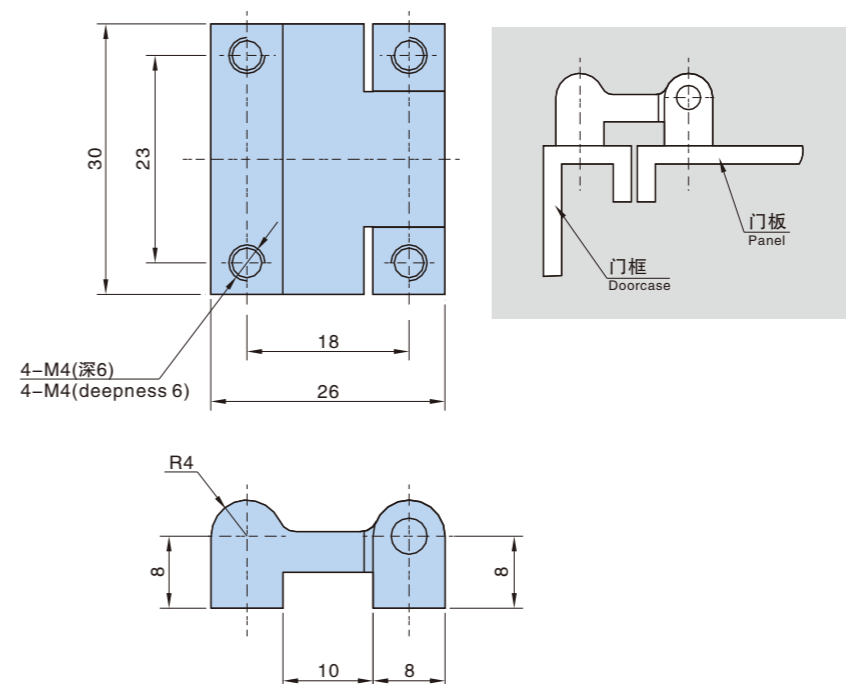


- 材质: 锌合金动、静铰链, 分不锈钢和镀镍钢销子
- 备注: 转动约180°
- Material: Zinc die-casting hinge, stainless steel and nickel plating steel pin are available
- Remark: 180° hinge



基本尺寸 Dimensions				产品型号及特性 Product Number								
L1	L2	L3	B1	B2	B3	B4	H	M	喷无光黑 Black powder coated	镀沙铬 Gray chrome plating	产品 单重(g) Weight	装箱数 Lot
59.5	50	45	34	19.5	17.5	13.5	17.5	5	HL023-1.3	HL023-1.2	165	200
30	22	22	28.5	18.5	15.5	10	13	4	HL023-2.3	HL023-2.2	42.5	400
30	22	22	22	13	9	10	13	4	HL023-3.3	HL023-3.2	43	500

平面安装外露式铰链 Flat Mounting Exposed Hinge



型号 Product no.	产品单重(g) Weight	装箱数 Lot
HL054	40	500

HL054



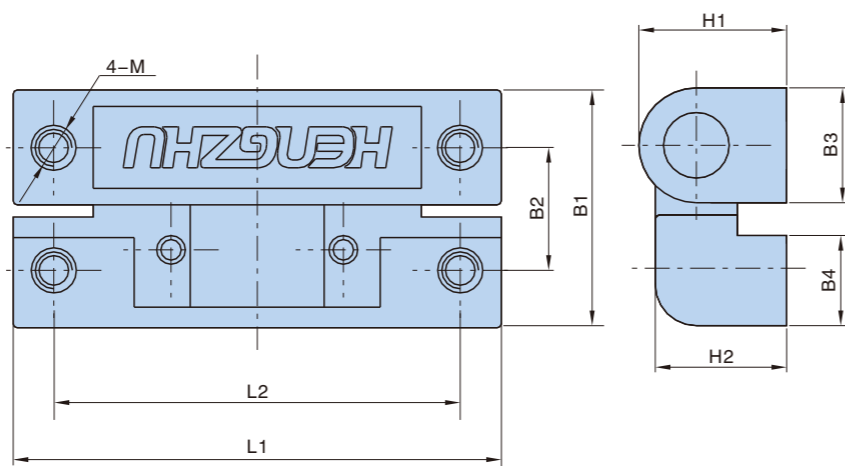
- 材质: 锌合金动、静铰链, 分不锈钢和镀镍钢销子
- 表面处理: 喷无光黑
- 备注: 转动约180°
- Material: Zinc die-casting hinge, stainless steel and nickel plating steel pin are available
- Finish: Black powder coated
- Remark: 180° hinge

HL096

平面安装外露式铰链 Flat Mounting Exposed Hinge



- 材质: 锌合金动、静铰链, 分不锈钢和镀镍钢销子
- 备注: 转动约180°
- Material: Zinc die-casting hinge, stainless steel and nickel plating steel pin are available
- Remark: 180° hinge



基本尺寸 Dimensions				产品型号及特性 Product Number								
L1	L2	B1	B2	B3	B4	H1	H2	M	喷无光黑 Black powder coated	镀沙铬 Gray chrome plating	产品 单重(g) Weight	装箱数 Lot
59.5	50	29	15	14	11	18	16	5	HL096-1.3	HL096-1.2	166	300
50	40	24.5	12.5	12	9.5	15	13	4	HL096-2.3	HL096-2.2	82	400
30	22	21.5	12.5	10	9	13	11.5	4	HL096-3.3	HL096-3.2	39	500

G009

G010

HL055

平面安装外露式铰链 Flat Mounting Exposed Hinge

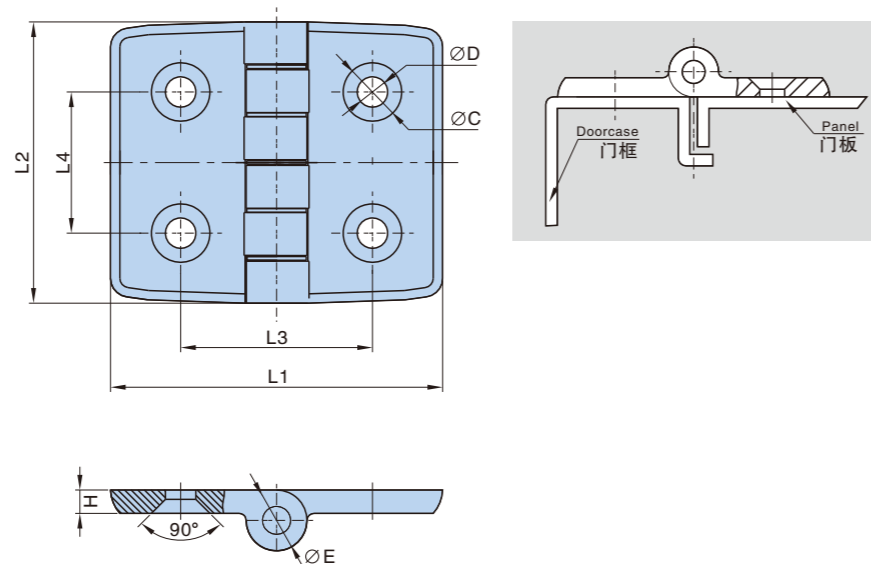


HL055-1



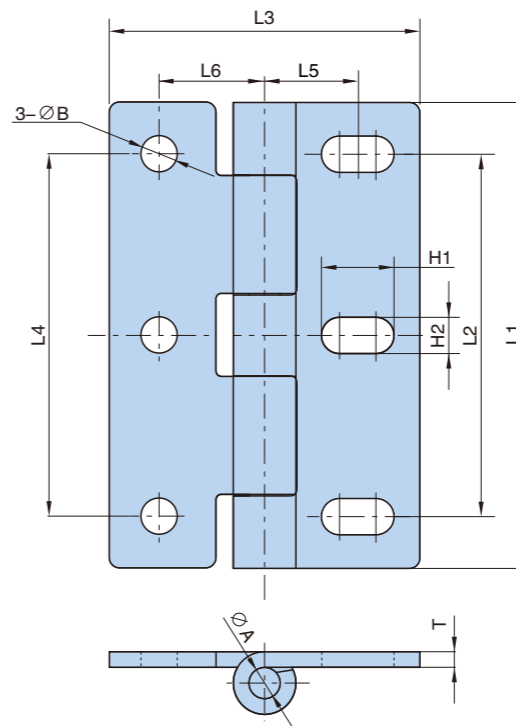
HL055-2

- 材质: 不锈钢
- 表面处理: 拉丝
- 备注: 转动约为180°
- Material: Stainless steel hinge
- Finish: drawing
- Remark: 180° hinge



基本尺寸 Dimensions								产品型号及特性 Product Number	产品单重(g) Weight	装箱数 Lot
L1	L2	L3	L4	H	C	D	E			
71	60	41	30	5	12.5	6.5	13	HL055-1	154	500
51	40	32.5	20	4.3	10.5	5.5	10	HL055-2	59	500

平面安装外露式铰链 Flat Mounting Exposed Hinge



基本尺寸 Dimensions										产品型号 Product Number	产品单重(g) Weight	装箱数 Lot	
L1	L2	L3	L4	L5	L6	H1	H2	T	ØA				ØB
90	70	60	70	19	19	12	7	3	6.1	7	HL115-1	170.5	200
75	54	50	54	15	15	12	6	2	4.6	5.5	HL115-2	77	300

HL115



- 材质: 不锈钢、静铰链, 不锈钢销子
- 表面处理: 拉丝
- 备注: 转动约180°
- Material: stainless hinge, Stainless steel pin
- Finish: drawing
- Remark: 180° hinge.

HL151

平面安装外露式铰链 Flat Mounting Exposed Hinge

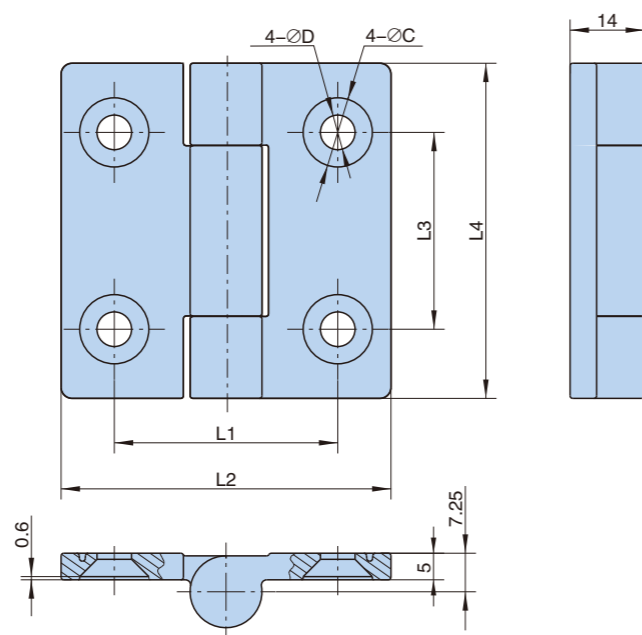


HL151-1S



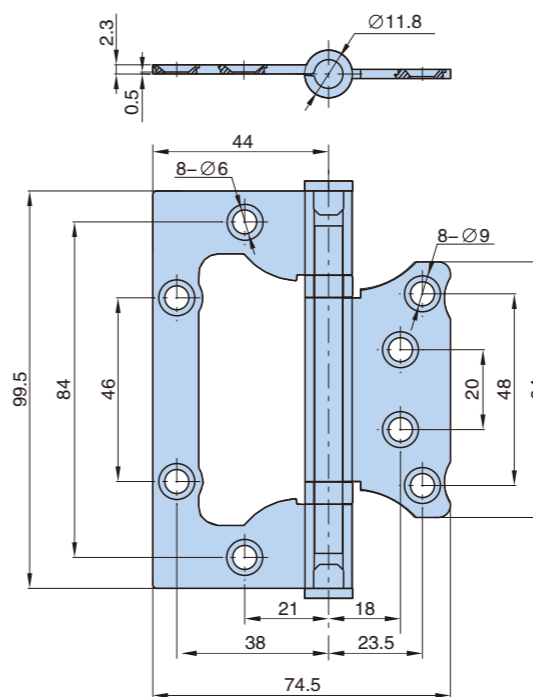
HL151-2S

- 材质: 不锈钢铰链
- 表面处理: 镜面抛光
- 备注: 旋转约270°
- Material: Stainless steel hing
- Finish: Mirror polished or brushed
- Remark: 270° hinge



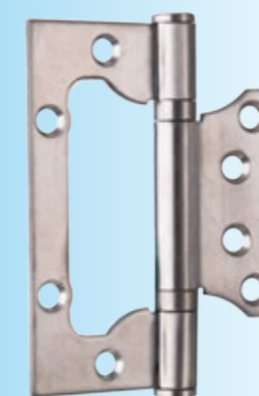
基本尺寸 Dimensions						产品型号及特性 Product Number	产品单重(g) Weight	装箱数 Lot
L1	L2	L3	L4	4-ØD	4-ØC			
42	62	37	63	6.5	13	HL151-1S	290.5	500
32	47	30	46.5	5.5	11	HL151-2S	95	500

平面安装外露式铰链 Flat Mounting Exposed Hinge



型号 Product no.	产品单重(g) Weight	装箱数 Lot
HL118	142	200

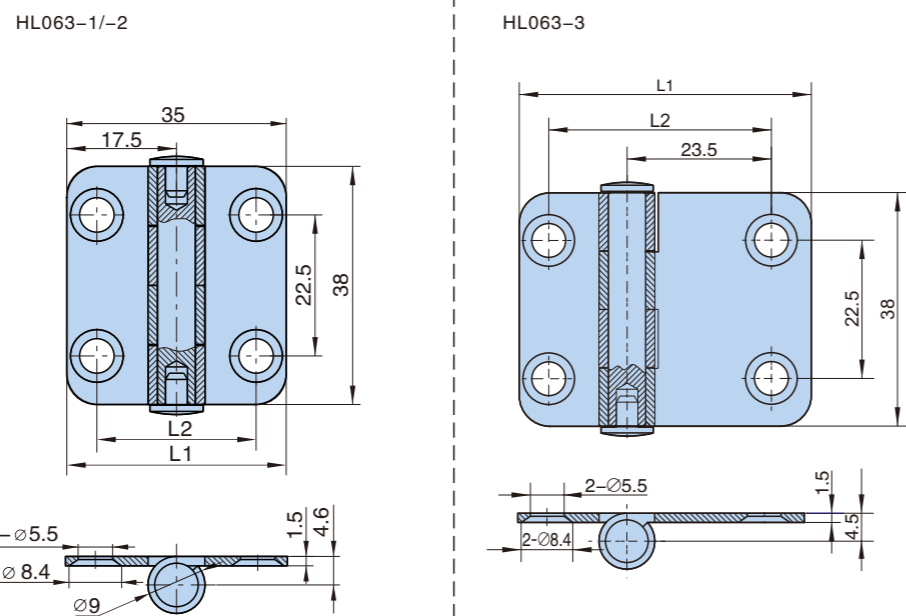
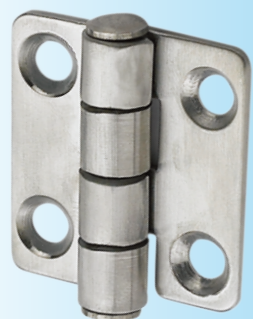
HL118



- 材质: 不锈钢、静铰链, 不锈钢销子
- 表面处理: 拉丝
- 备注: 旋转约180°
- Material: stainless hinge, stainless steel pin
- Finish: drawing
- Remark: 180° hinge

HL063

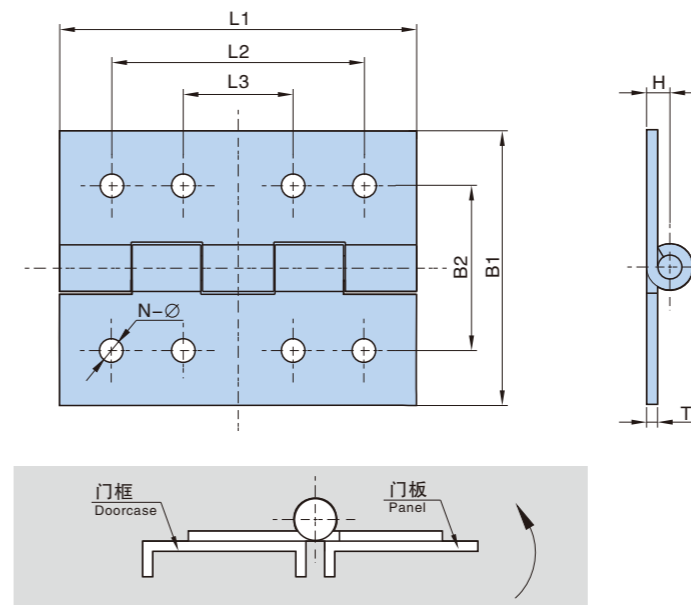
平面安装外露式铰链 Flat Mounting Exposed Hinge



- 材质: 不锈钢铰链
- 表面处理: 拉丝
- 备注: 转动约为180°
- Material: Stainless Steel Hinge
- Finish: drawing
- Remark: 180° hinge

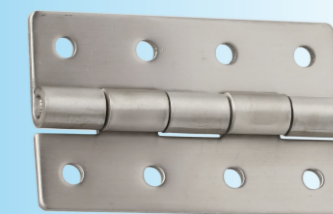
基本尺寸 Dimensions		产品型号及特性 Product Number	产品单重(g) Weight	装箱数 Lot
L1	L2			
35	25.4	HL063-1	30	500
60	47	HL063-2	39	500
47.5	36.2	HL063-3	35	500

平面安装外露式铰链 Flat Mounting Exposed Hinge

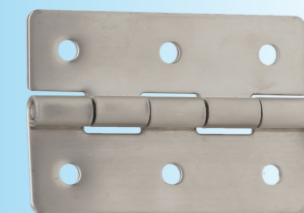


基本尺寸 Dimensions									产品型号及特性 Product Number	产品单重(g) Weight	装箱数 Lot
L1	L2	L3	B1	B2	∅	H	T	N			
100	78	26	60	38	6.4	6	3	8	HL072-1	191	200
90	70		60	38	6.4	6	3	6	HL072-2	175	200
75	54		50	30	5.3	4.3	1.5	6	HL072-3	62	200

HL072



HL072-1

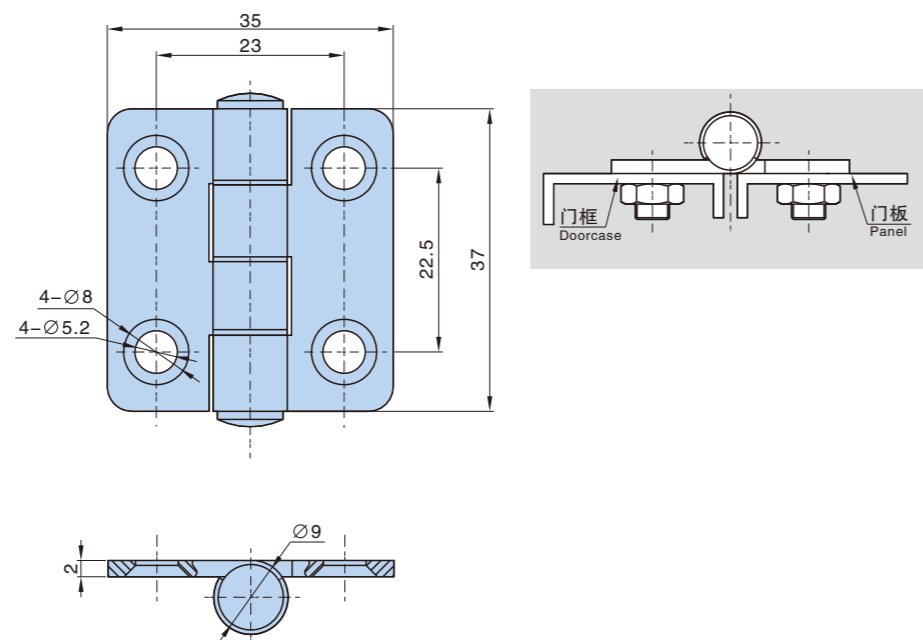


HL072-3

- 材质: 不锈钢铰链
- 表面处理: 拉丝
- 备注: 转动约为180°
- Material: Stainless Steel Hinge
- Finish: drawing
- Remark: 180° hinge.

HL070

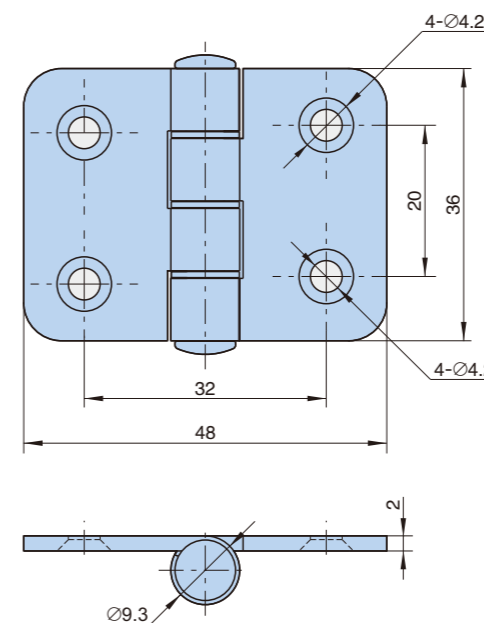
平面安装外露式铰链 Flat Mounting Exposed Hinge



- 材质: 不锈钢铰链
- 表面处理: 拉丝
- 备注: 转动约为180°
- Material: Stainless Steel Hinge
- Finish: drawing
- Remark: 180° hinge.

型号 Product no.	产品单重(g) Weight	装箱数 Lot
HL070	31.5	500

平面安装外露式铰链 Flat Mounting Exposed Hinge



型号 Product no.	产品单重(g) Weight	装箱数 Lot
HL077	37	500

HL077



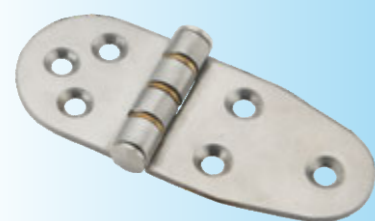
- 材质: 不锈钢铰链
- 表面处理: 拉丝
- 备注: 转动约为180°
- Material: Stainless Steel Hinge
- Finish: drawing
- Remark: 180° hinge.

HL071

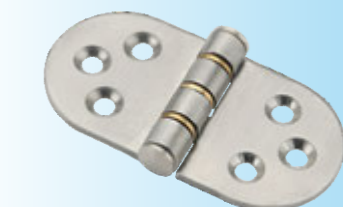
平面安装外露式铰链 Flat Mounting Exposed Hinge

平面安装外露式铰链 Flat Mounting Exposed Hinge

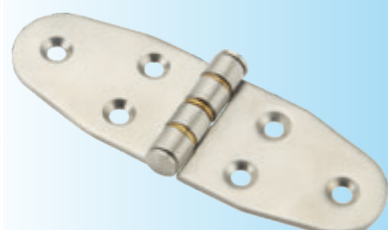
HL087



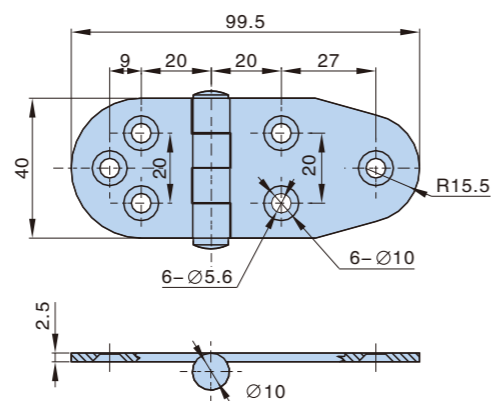
HL071-1



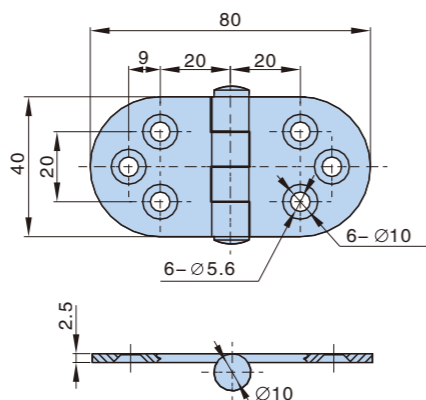
HL071-2



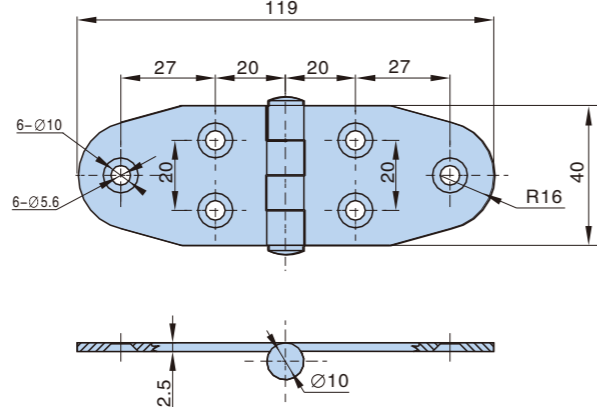
HL071-3



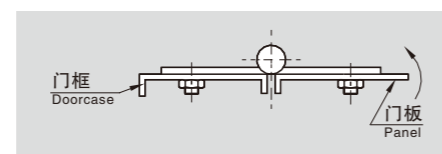
HL071-1



HL071-2

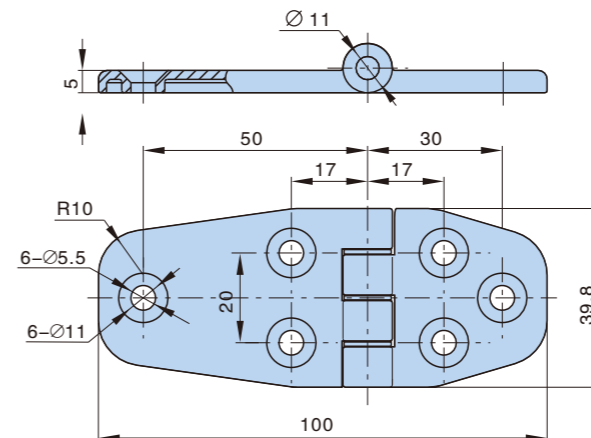


HL071-3

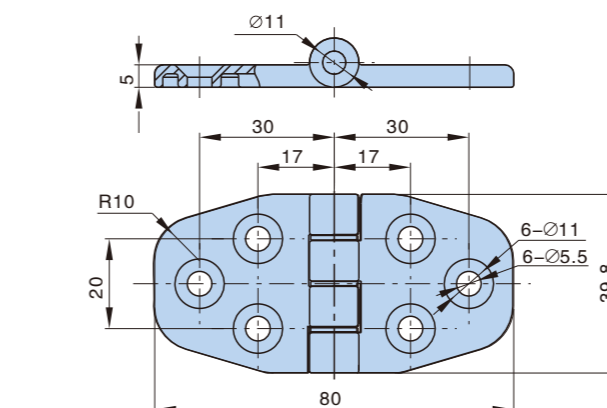


型号 Product no.	产品单重(g) Weight	装箱数 Lot
HL071-1	79	300
HL071-2	68	300
HL071-3	91	300

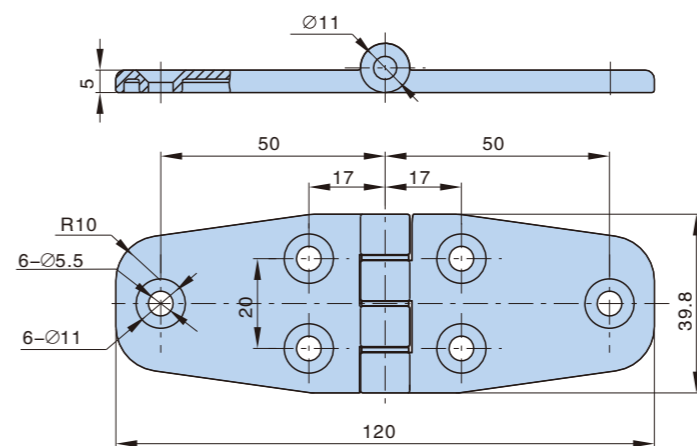
- 材质: 不锈钢铰链
- 表面处理: 拉丝
- 备注: 转动约为180°。
- Material: stainless steel body
- Finish: drawing
- Remark: 180° hinge.



HL087-1



HL087-2



HL087-3

型号 Product no.	产品单重(g) Weight	装箱数 Lot
HL087-1	75	300
HL087-2	69	300
HL087-3	90.5	300



HL087-1



HL087-2

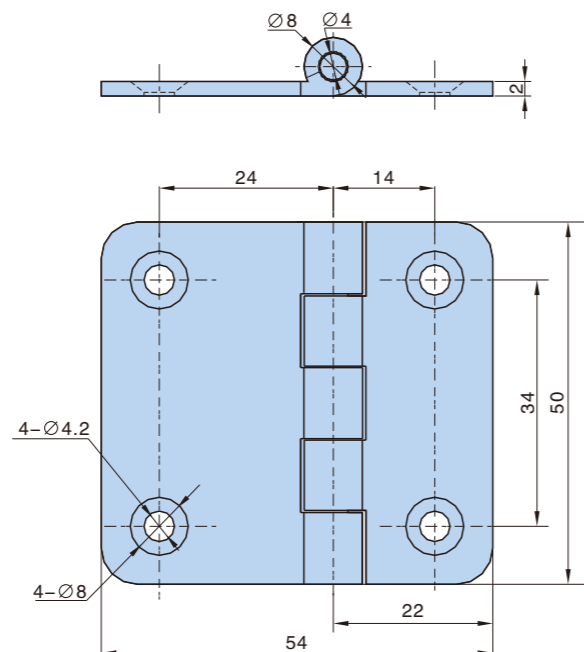


HL087-3

- 材质: 锌合金动、静铰链, 分不锈钢和镀镍钢销子, 不锈钢垫片
- 表面处理: 喷无光黑
- 备注: 转动约180°
- Material: Zinc die-casting hinge, stainless steel and nickel plating steel pin are available, stainless steel washer
- Finish: Black powder coated
- Remark: 180° hinge.

HL076

平面安装外露式铰链 Flat Mounting Exposed Hinge

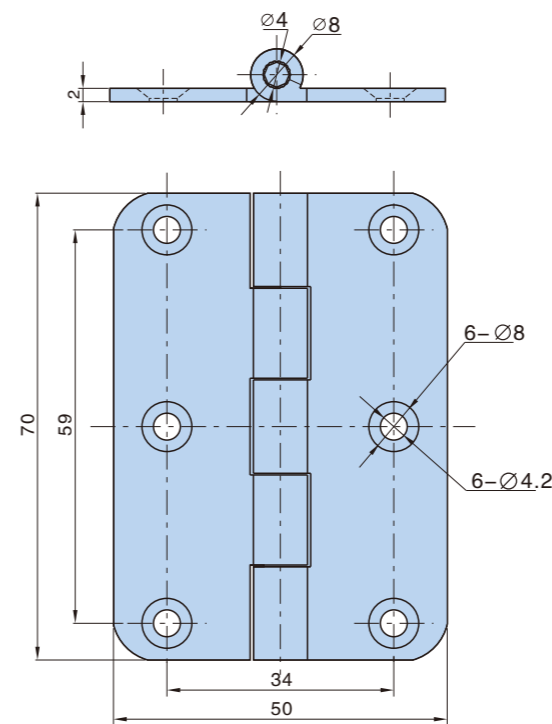


- 材质: 不锈钢铰链
- 表面处理: 拉丝
- 备注: 转动约为180°
- Material: stainless steel body
- Finish: drawing
- Remark: 180° hinge

型号 Product no.	产品单重(g) Weight	装箱数 Lot
HL076	52.5	400

HL098

平面安装外露式铰链 Flat Mounting Exposed Hinge

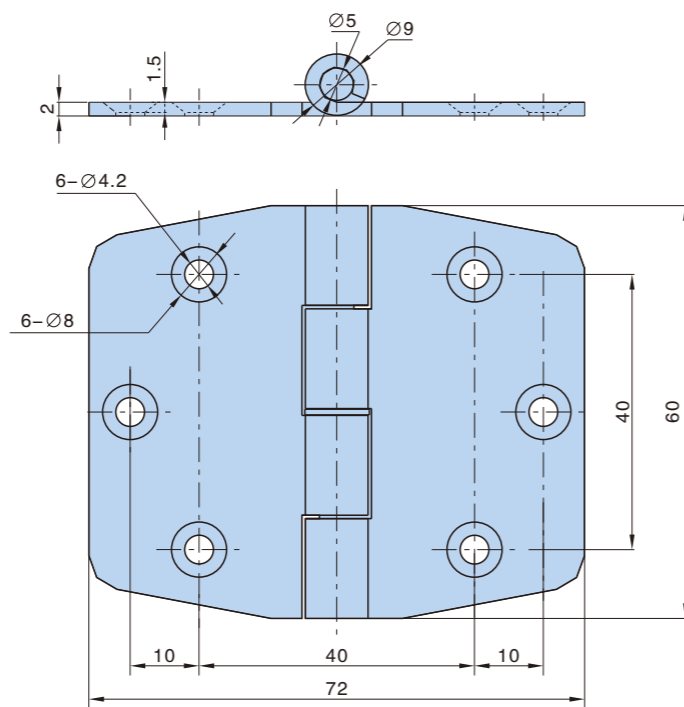


- 材质: 不锈钢铰链
- 表面处理: 拉丝
- 备注: 转动约为180°
- Material: stainless steel body
- Finish: drawing
- Remark: 180° hinge.

型号 Product no.	产品单重(g) Weight	装箱数 Lot
HL098	70.5	500

HL094

平面安装外露式铰链 Flat Mounting Exposed Hinge

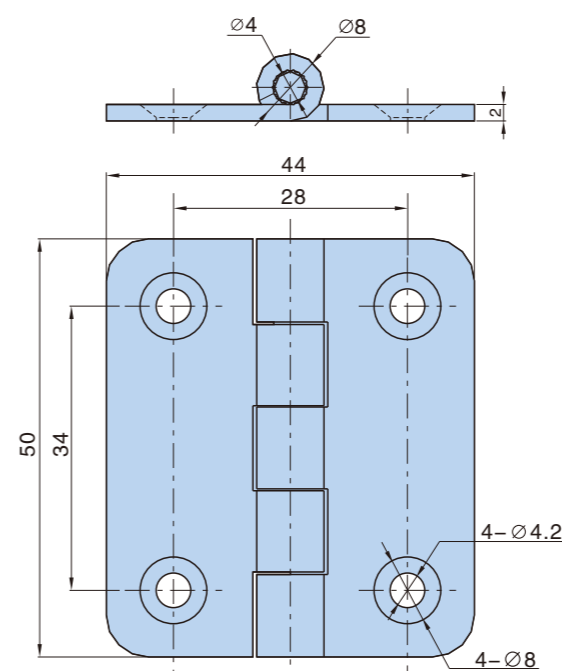


- 材质: 不锈钢铰链
- 表面处理: 拉丝
- 备注: 转动约为180°
- Material: stainless steel body
- Finish: drawing
- Remark: 180° hinge.

型号 Product no.	产品单重(g) Weight	装箱数 Lot
HL094	83	500

HL099

平面安装外露式铰链 Flat Mounting Exposed Hinge



- 材质: 不锈钢铰链
- 备注: 转动约为180°
- 表面处理: 拉丝
- Material: stainless steel body
- Finish: drawing
- Remark: 180° hinge

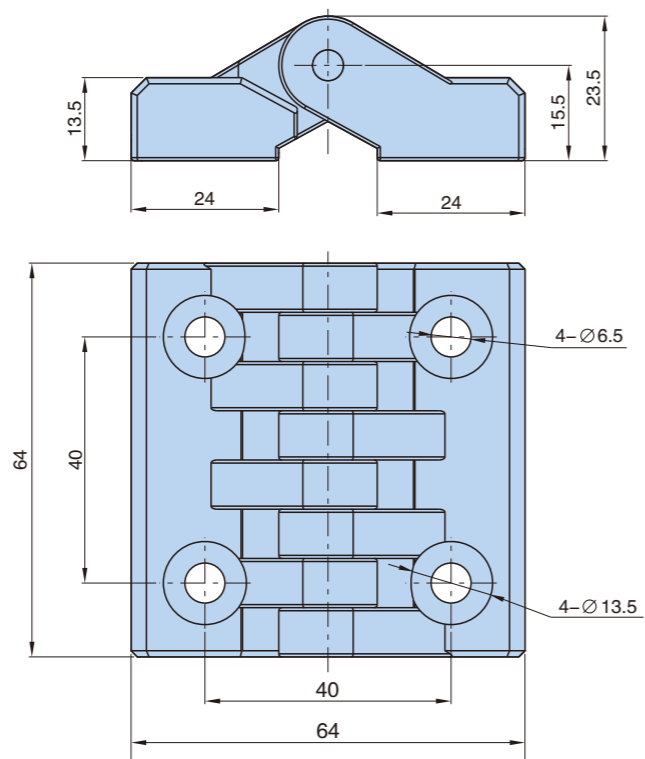
型号 Product no.	产品单重(g) Weight	装箱数 Lot
HL099	46	500

HL116

平面安装外露式铰链 Flat Mounting Exposed Hinge

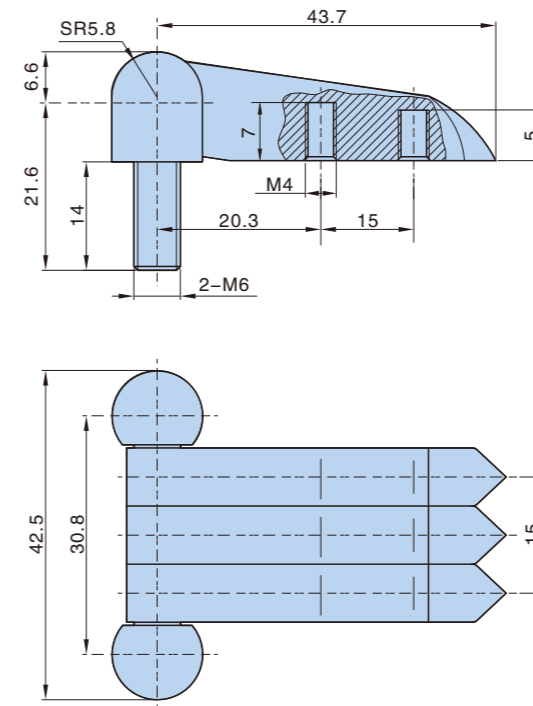


- 材质: PA铰链、镀锌钢销子
- 表面处理: 黑色沙纹面
- 备注: 旋转约180°
- Material: PA hinge、Zinc plating steel pin
- Finish: Matt black
- Remark: 180° hinge



型号 Product no.	产品单重(g) Weight	装箱数 Lot
HL116	60	200

平面安装外露式铰链 Flat Mounting Exposed Hinge



型号 Product no.	产品单重(g) Weight	装箱数 Lot
HL041-1	80	500

HL041-1



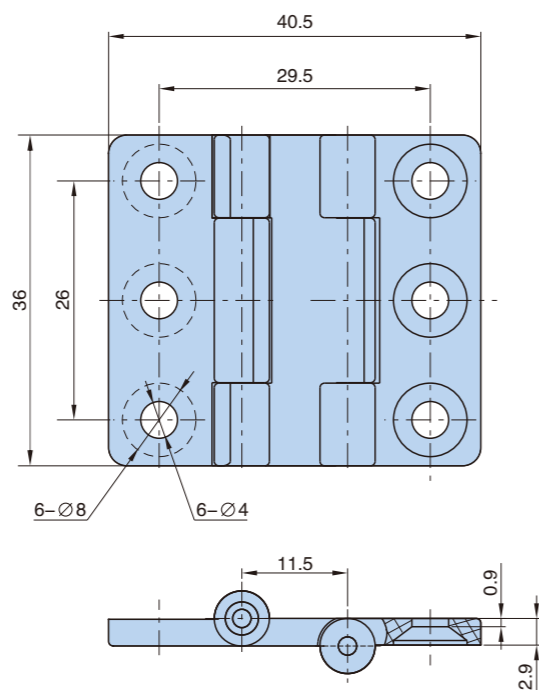
- 材质: 锌合金动、静铰链, 分不锈钢和镀镍钢销子
- 表面处理: 镀亮铬
- 备注: 转动约180°
- Material: Zinc die-casting hinge, stainless steel and nickel plating steel pin are available
- Finish: Bright chrome plating
- Remark: 180° hinge

HL121

平面安装外露式铰链 Flat Mounting Exposed Hinge

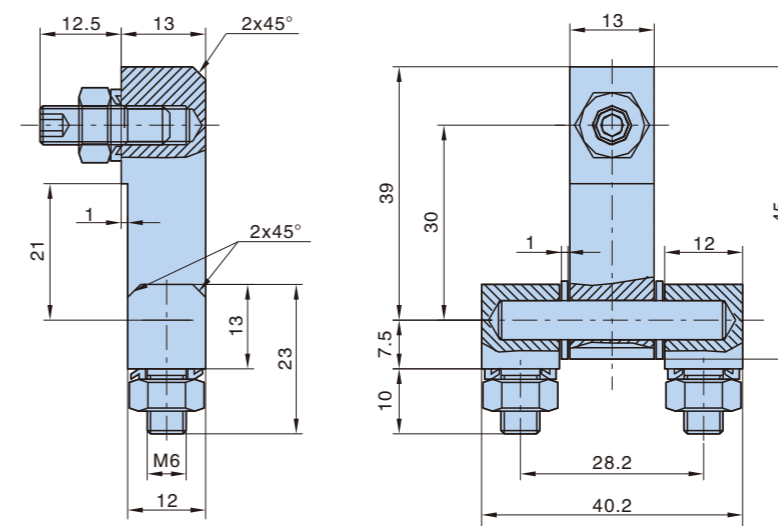


- 材质: PA塑料动、静铰链, 镀锌钢销子
- 表面颜色: 白色
- 备注: 旋转约180°
- Material: PAPlastic hinge, zinc plating steel pin
- Finish: White
- Remark: 180° hinge



型号 Product no.	产品单重(g) Weight	装箱数 Lot
HL121	7	1000

平面安装外露式铰链 Flat Mounting Exposed Hinge



型号 Product no.	产品单重(g) Weight	装箱数 Lot
HL084	100	300

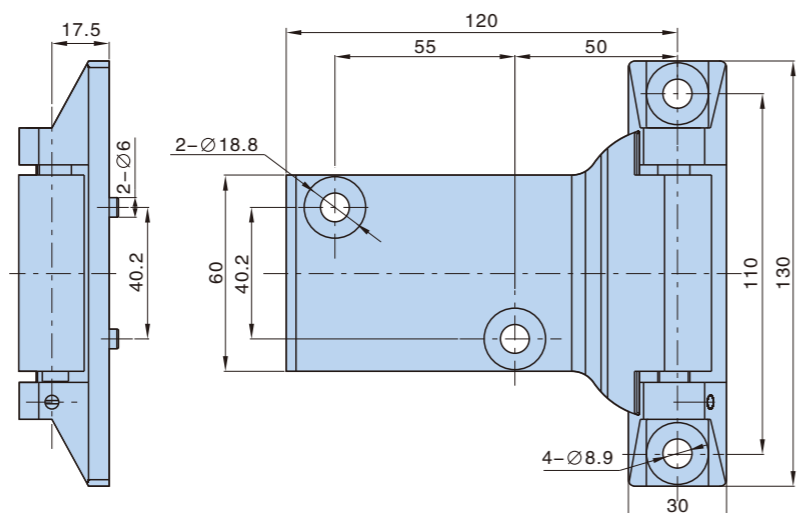
HL084



- 材质: 镀锌钢铰链
- 表面处理: 镀蓝白锌
- 备注: 转动约180°
- Material: Zinc plating steel hinge
- Finish: white zinc plating
- Remark: 180° hinge.

HL106

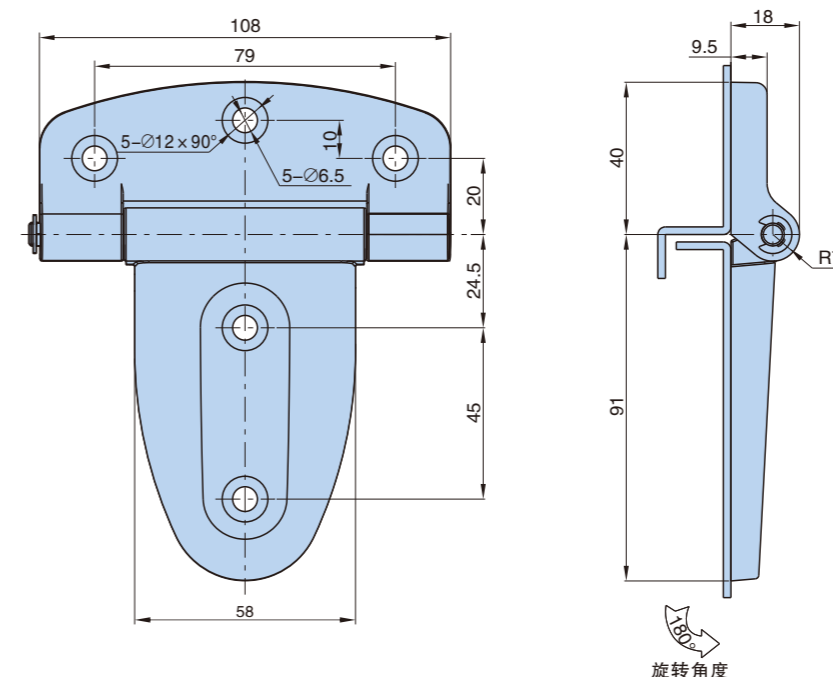
平面重型外露式铰链 Flat heavy duty exposed hinge



- 材质: 锌合金动、静铰链, 不锈钢销子
- 表面处理: 喷沙纹黑
- 备注: 转动角度约为180°
- Material: Zinc die-casting hinge, stainless steel pin
- Finish: Matt black
- Remark: 180° hinge

型号 Product no.	产品单重(g) Weight	装箱数 Lot
HL106	600	50

平面安装外露式铰链 Flat heavy duty exposed hinge



型号 Product no.	产品单重(g) Weight	装箱数 Lot
HL114	100	120

HL114



- 材质: PA动、静铰链、不锈钢销子
- 表面处理: 黑色沙纹面
- 备注: 旋转约180°
- Material: PA hinge, stainless steel pin
- Finish: Matt black
- Remark: 180° hinge

HL131S

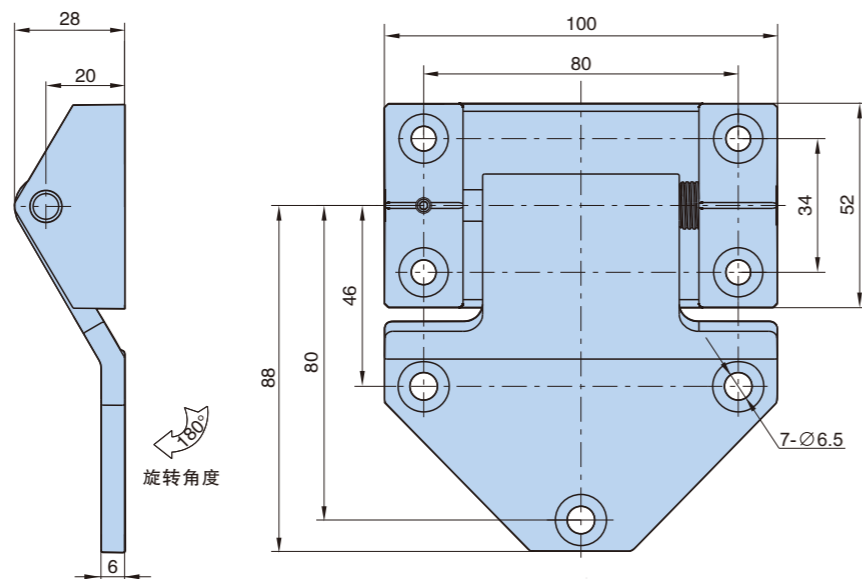
平面重型外露式铰链 Flat heavy duty exposed hinge



HL131SL



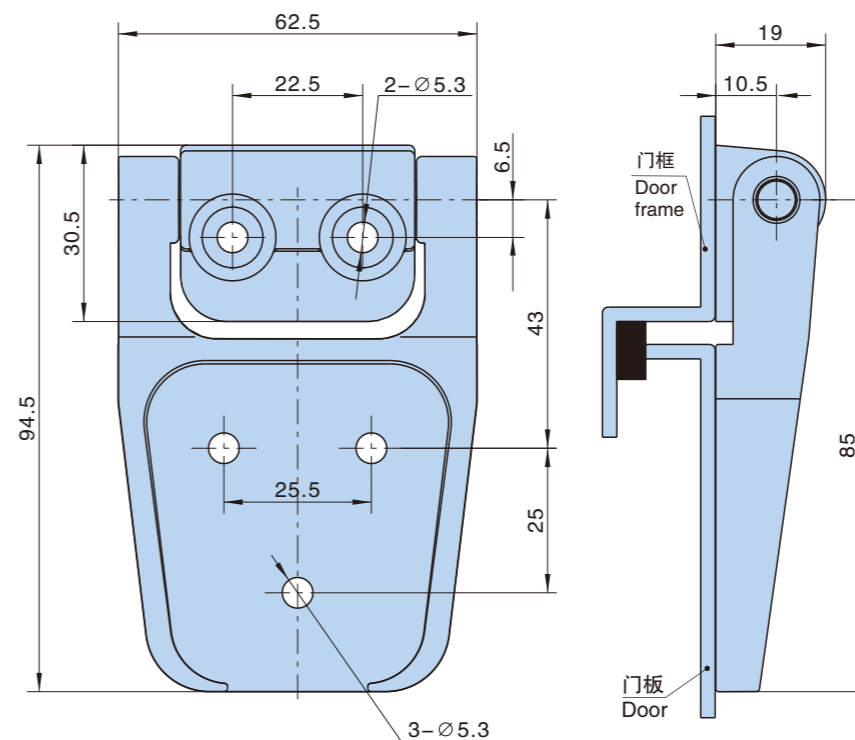
HL131SR



- 材质: 不锈钢铰链
- 表面处理: 拉丝
- 备注: 旋转约180°
- Material: Stainless steel hinge
- Finish: drawing
- Remark: 180° hinge

型号 Product no.	产品单重(g) Weight	装箱数 Lot
HL131SL	523	40
HL131SR	523	40

平面安装外露式铰链 Flat heavy duty exposed hinge



型号 Product no.	产品单重(g) Weight	装箱数 Lot
HL143	77.3	240

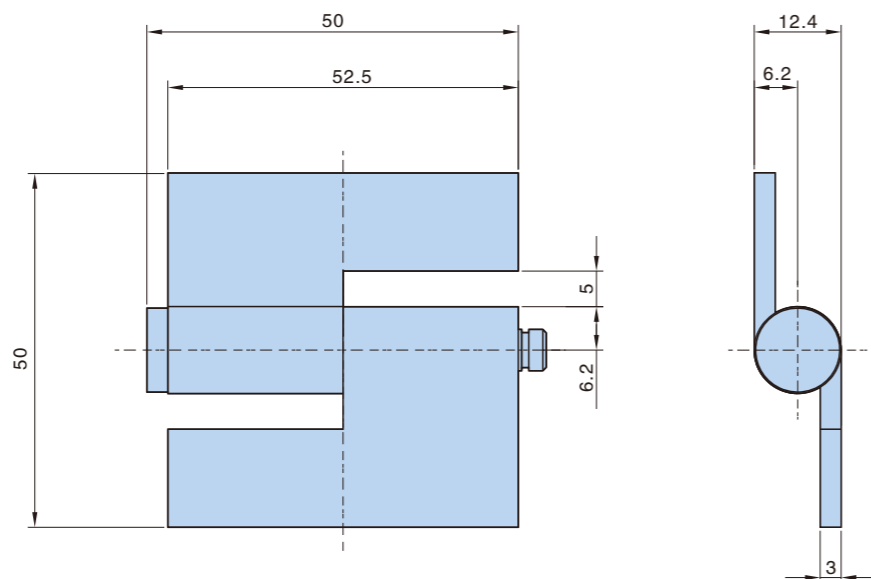
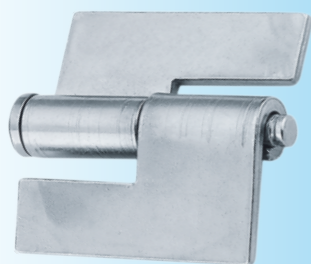
HL143-1



- 材质: PA铰链、镀锌钢销子
- 表面处理: 黑色(沙纹面)
- 备注: 旋转约180°
- Material: PA hinge, Zinc plating steel pin
- Finish: Matt black
- Remark: 180° hinge

HL059

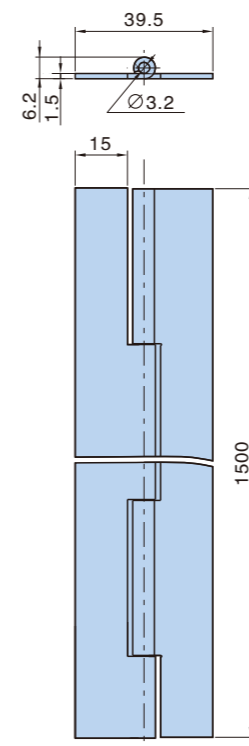
平面安装外露式铰链 Flat Mounting Exposed Hinge



- 材质: 镀锌钢板铰链
- 表面处理: 镀蓝白锌
- 备注: 转动约180°
- Material: Zinc plating steel hinge
- Finish: white zinc plating
- Remark: 180° hinge

型号 Product no.	产品单重(g) Weight	装箱数 Lot
HL059	84	400

平面安装外露式铰链 Flat Mounting Exposed Hinge



型号 Product no.	产品单重(g) Weight	装箱数 Lot
HL102	1300	50

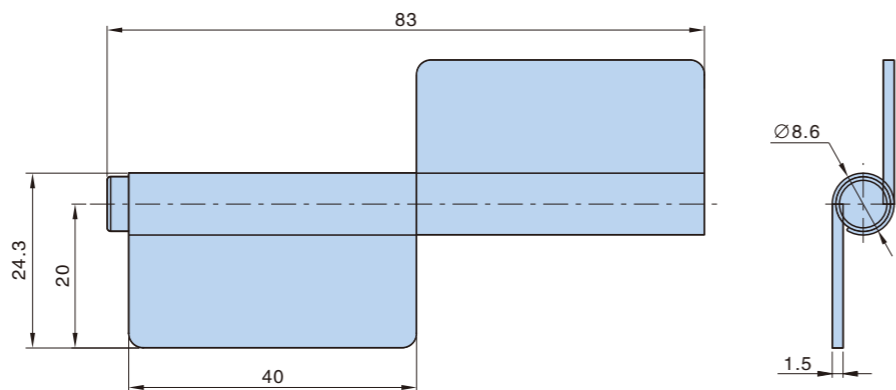
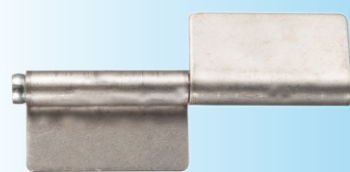
HL102



- 材质: 铝合金铰链
- 备注: 转动约为180°
- Material: Aluminum Alloy body
- Remark: 180° hinge

HL105

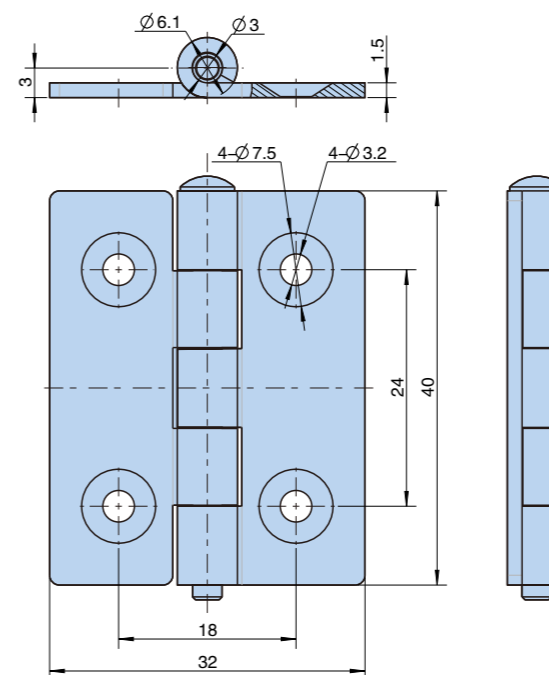
平面安装外露式铰链 Flat Mounting Exposed Hinge



- 材质: A3铰链, 镀锌钢销子
- 表面处理: 镀蓝白锌
- 备注: 转动约180°
- Material: A3 hinge, zinc plating steel pin
- Finish: white zinc plating
- Remark: 180° hinge.

型号 Product no.	产品单重(g) Weight	装箱数 Lot
HL105	51.5	500

平面安装外露式铰链 Flat Mounting Exposed Hinge



型号 Product no.	产品单重(g) Weight	装箱数 Lot
HL153S	20	500

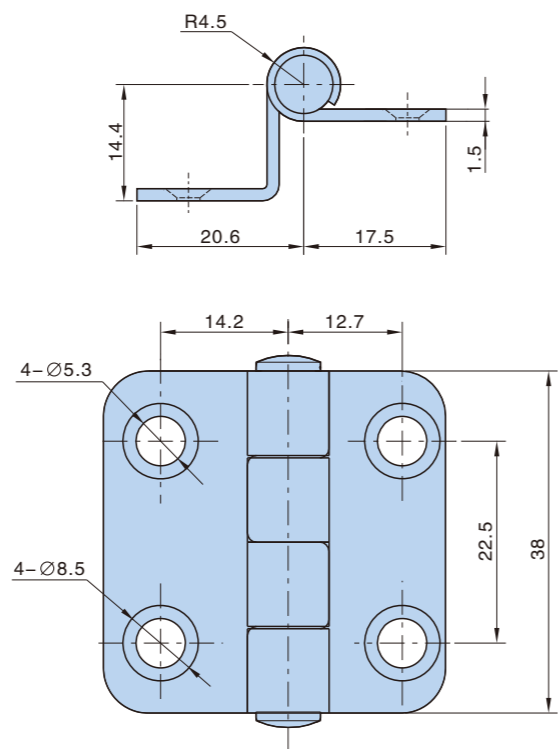
HL153S



- 材质: 不锈钢动、静铰链, 不锈钢销子
- 表面处理: 拉丝
- 备注: 旋转约180°。
- Material: stainless steel hinge, stainless steel pin
- Remark: 180° hinge
- Finish: wire drawing

HL038

阶梯面安装外露式铰链 Stepped surface mounting exposed hinge

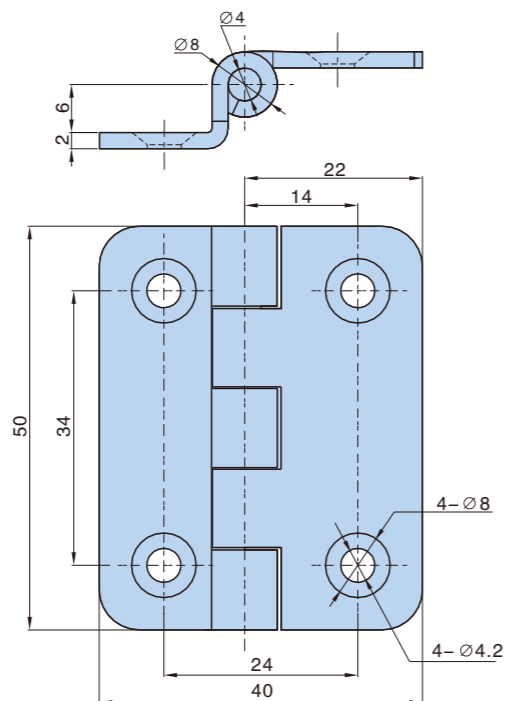


型号 Product no.	产品单重(g) Weight	装箱数 Lot
HL038	35.5	500

- 材质: 镜面不锈钢铰链, 不锈钢销子
- 表面处理: 拉丝
- Material: Mirror surface stainless steel body, stainless steel pin
- Finish: drawing

HL074

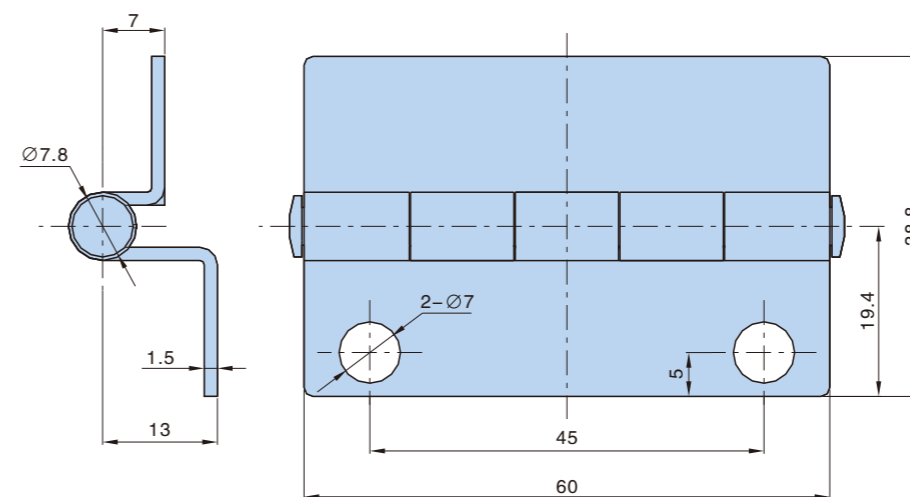
阶梯面安装外露式铰链 Stepped surface mounting exposed hinge



型号 Product no.	产品单重(g) Weight	装箱数 Lot
HL074	42	500

- 材质: 不锈钢铰链
- 表面处理: 拉丝
- 备注: 转动约为180°
- Material: stainless steel body
- Finish: drawing
- Remark: 180° hinge

阶梯面安装外露式铰链 Stepped surface mounting exposed hinge



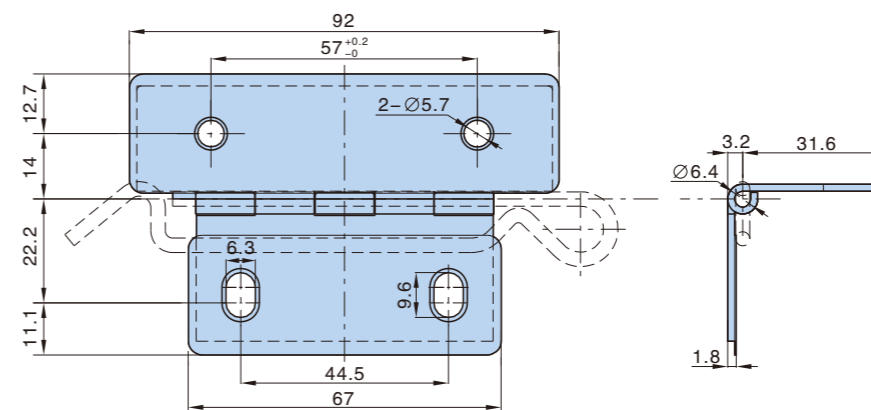
型号 Product no.	产品单重(g) Weight	装箱数 Lot
HL086	65	300

HL086



- 材质: 镀锌钢板铰
- 备注: 转动约180°
- Material: Zinc plating steel hinge
- Remark: 180° hinge

阶梯面安装外露式铰链 Stepped surface mounting exposed hinge



型号 Product no.	产品单重(g) Weight	装箱数 Lot
HL101	92	200

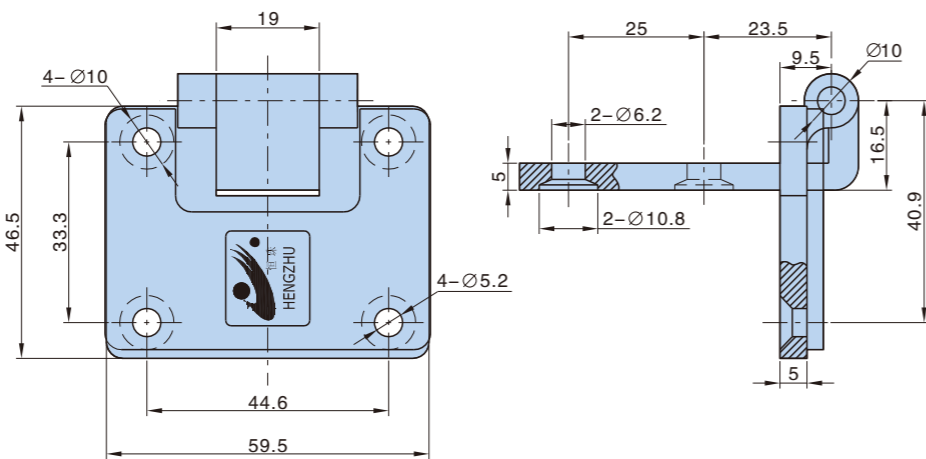
HL101



- 材质: 不锈钢铰链
- 表面处理: 拉丝
- 备注: 转动约为180°
- Material: stainless steel body
- Finish: drawing
- Remark: 180° hinge.

HL013

阶梯面安装外露式铰链 Stepped surface mounting exposed hinge

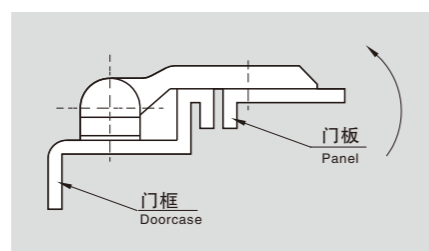
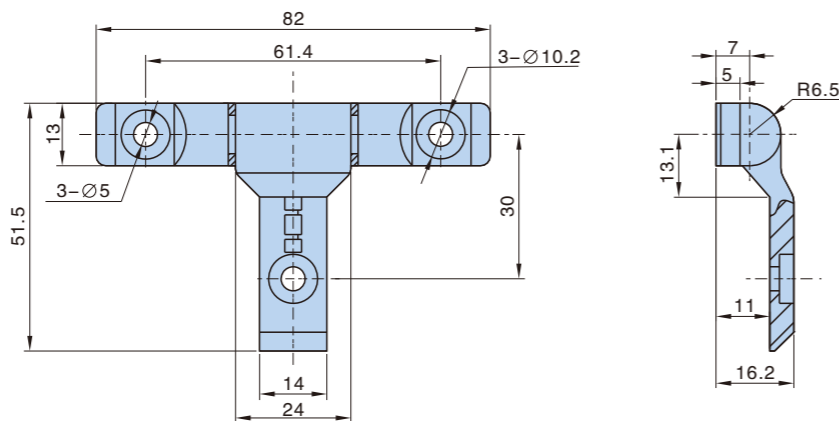


- 材质: 锌合金动、静铰链, 分不锈钢和镀镍钢销子, 镀锌钢压板
- 表面处理: 喷沙镀铬
- 备注: 转动约180°
- Material: Zinc die-casting hinge, stainless steel and nickel plating steel pin are available, Zinc plating fixing parts
- Finish: Pocked chrome plating
- Remark: 180° hinge.

型号 Product no.	产品单重(g) Weight	装箱数 Lot
HL013	140	200

HL065

阶梯面安装外露式铰链 Stepped surface mounting exposed hinge



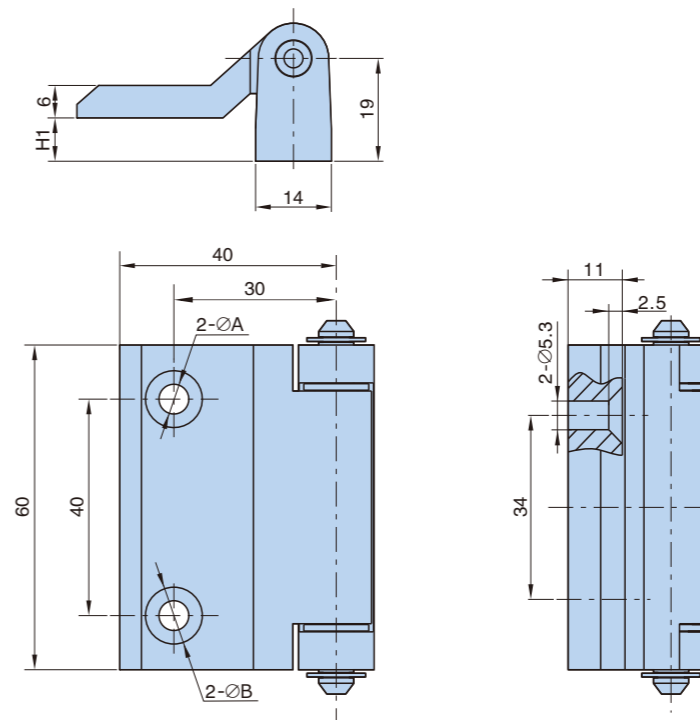
- 材质: 锌合金动、静铰链, 分不锈钢和镀镍钢销子, 塑料垫圈
- 表面处理: 喷无光黑
- 备注: 转动约180°
- Material: Zinc die-casting hinge, stainless steel and nickel plating steel pin are available, plastic washer
- Finish: Black powder coated
- Remark: 180° hinge

型号 Product no.	产品单重(g) Weight	装箱数 Lot
HL065	73	200

G027

恒珠柜锁 电话(TEL):0795-2119999, 3256555 E-mail: admin@hengzhu.com

阶梯面安装外露式铰链 Stepped surface mounting exposed hinge



- 材质: 锌合金动、静铰链、分不锈钢和镀镍钢销子
- 表面处理: 喷无光黑, 喷砂镀铬
- 备注: 转动约180°
- Material: Zinc die-casting hinge, stainless steel and nickel plating steel pin are available
- Finish: Black powder coated, Sandblasting bright chrome plating
- Remark: 180° hinge

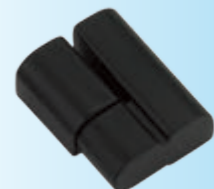
产品型号及特性 Product Number		基本尺寸 Dimensions			产品单重(g) Weight	装箱数 Lot
		H1	ØA	ØB		
HL111-1-1	喷无光黑	8	5.5	10.5	161	200
HL111-1A-1	喷沙镀铬	10	5.3	10.7	166.4	200

恒珠柜锁 电话(TEL):0795-2119999, 3256555 E-mail: admin@hengzhu.com

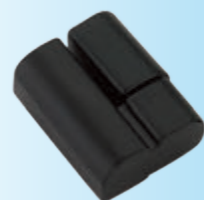
G028

HL002

可拆卸式外露铰链 Lift-Off Hinges

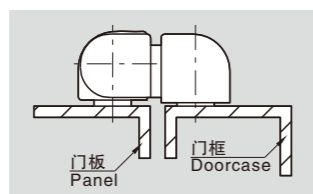
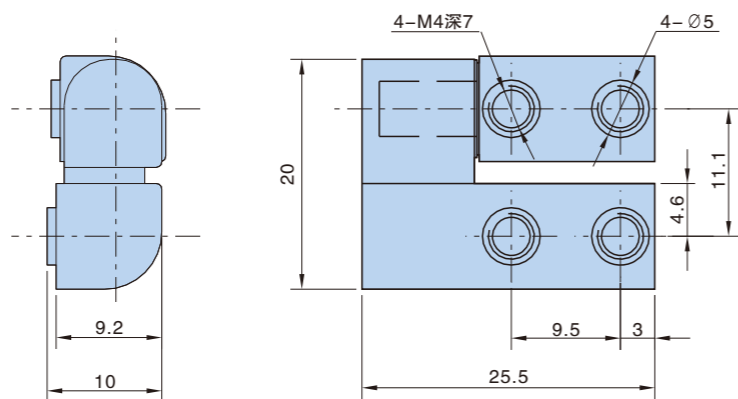


HL002R



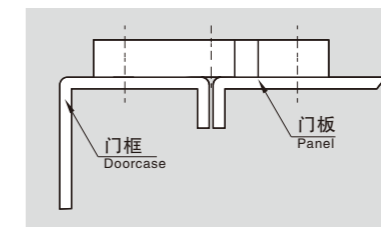
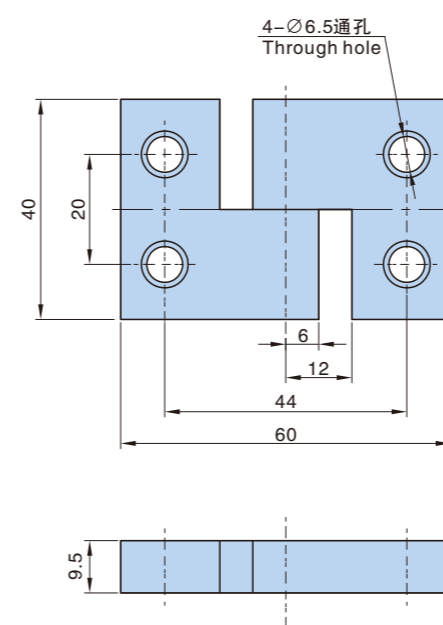
HL002L

- 材质: 锌合金动、静铰链
- 表面处理: 喷无光黑
- 备注: 转动约180°
- Material: Zinc die-casting hinge.
- Finish: Black powder coated
- Remark: 180° hinge



产品型号及特性 Product Number		产品单重(g) Weight	装箱数 Lot
右铰链 Right hinge	HL002R	25	500
左铰链 Left hinge	HL002L	25	500

可拆卸式外露铰链 RLift-Off Hinges



型号 Product no.	产品单重(g) Weight	装箱数 Lot
HL052	127.5	200

HL052



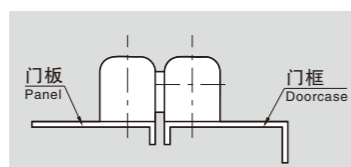
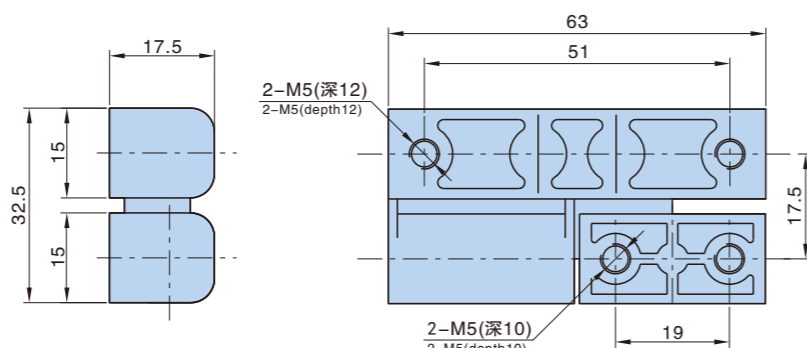
- 材质: 锌合金动、静铰链, 分不锈钢和镀镍钢销子
- 表面处理: 喷无光黑
- 备注: 转动约180°
- Material: Zinc die-casting hinge, stainless steel and nickel plating steel pin are available
- Finish: Black powder coated
- Remark: 180° hinge

HL019

可拆卸式外露铰链 Lift-Off Hinges

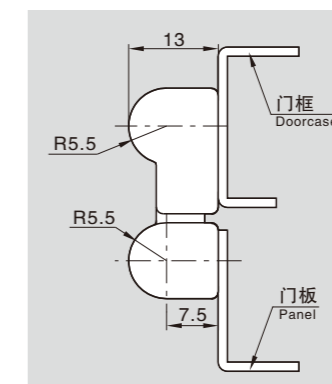
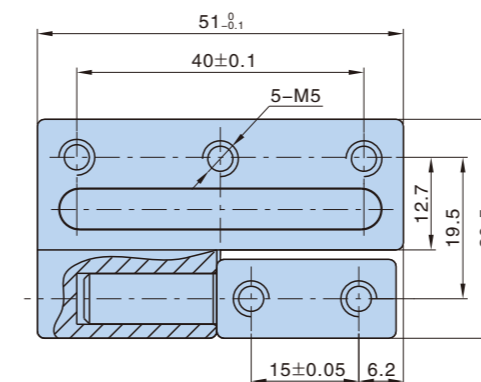


- 材质: 锌合金
- 备注: 转动约180°
- Material: Zinc die-casting hinge
- Remark: 180° hinge



特性 Characteristic	产品型号及表面处理 Product no and surface treatment				
	喷无光黑 Black powder coated	镀铬 Gray chrome plating	沙纹黑 Matt black powder coated	产品单重(g) Weight	装箱数 Lot
右铰链 Right hinge	HL019R.3	HL019R.2	HL019R.1	136	200
左铰链 Left hinge	HL019L.3	HL019L.2	HL019L.1	136	200

可拆卸式外露铰链 Lift-Off Hinges



型号 Product no.	产品单重(g) Weight	装箱数 Lot
HL081	89	200

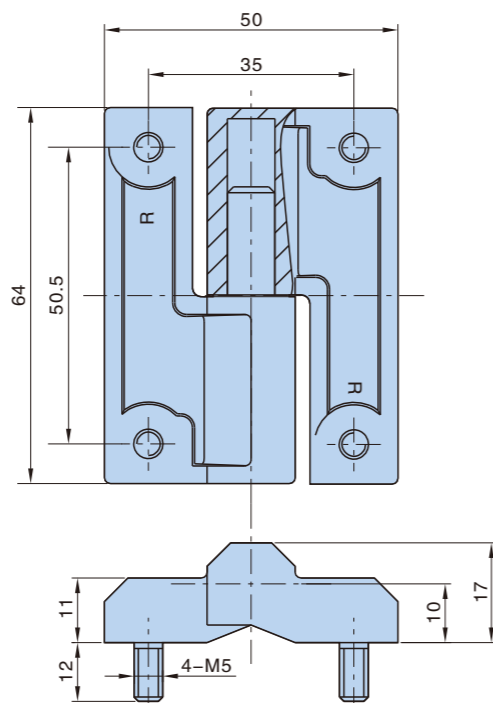
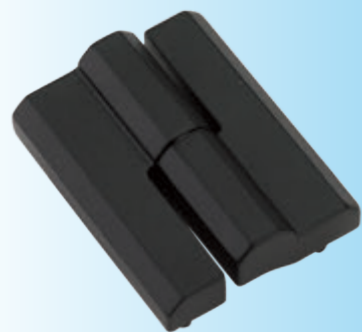
HL081



- 材质: 锌合金动、静铰链, 分不锈钢和镀镍钢销子
- 表面处理: 喷无光黑
- 备注: 转动约180°
- Material: Zinc die-casting hinge, stainless steel and nickel plating steel pin are available
- Finish: Black powder coated
- Remark: 180° hinge

HL093

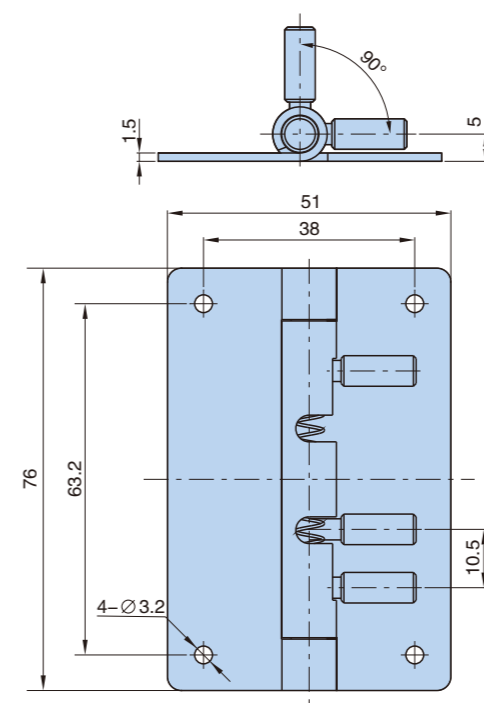
可拆卸式外露铰链 Lift-Off Hinges



- 材质: 锌合金动、静铰链, 分不锈钢和镀镍钢销子及镶嵌螺钉
- 表面处理: 喷无光黑
- 备注: 转动约180°
- Material: Zinc die-casting hinge, stainless steel and nickel plating steel pin are available
- Finish: Black powder coated
- Remark: 180° hinge

产品型号及特性 Product Number		产品单重(g) Weight	装箱数 Lot
左铰链 Left hinge	HL093L	186	150
右铰链 Right hinge	HL093R		

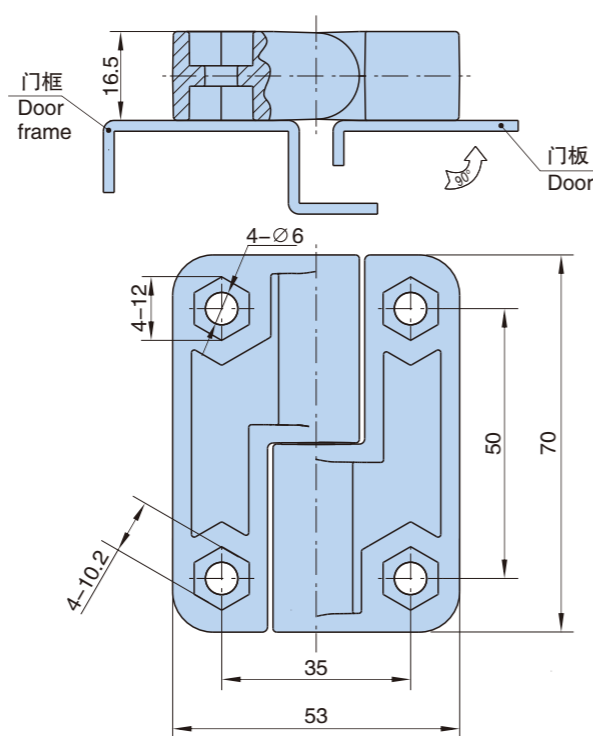
可拆卸式外露铰链 Lift-Off Hinges



型号 Product no.	产品单重(g) Weight	装箱数 Lot
HL120	73.5	200

HL139

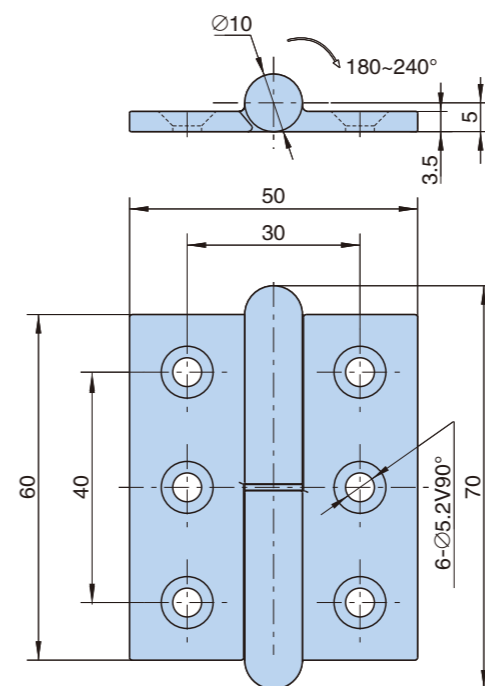
可拆卸式外露铰链 Lift-Off Hinges



- 材质: 锌合金铰链, 碳钢销子
- 表面处理: 喷沙纹黑
- 备注: 旋转约90°
- Material: Zinc die-casting hinge steel pin
- Finish: Matt black
- Remarks: 90° hinge

型号 Product no.	产品单重(g) Weight	装箱数 Lot
HL139	271	100

可拆卸式外露铰链 Lift-Off Hinges



型号 Product no.	产品单重(g) Weight	装箱数 Lot
HL141R	103	300
HL141L	103	300

HL120



- 材质: 不锈钢动、静铰链, 不锈钢销子
- 表面处理: 拉丝
- 备注: 旋转约180°
- Material: stainless steel hinge, stainless steel pin
- Remark: 180° hinge
- Finish: wire drawing

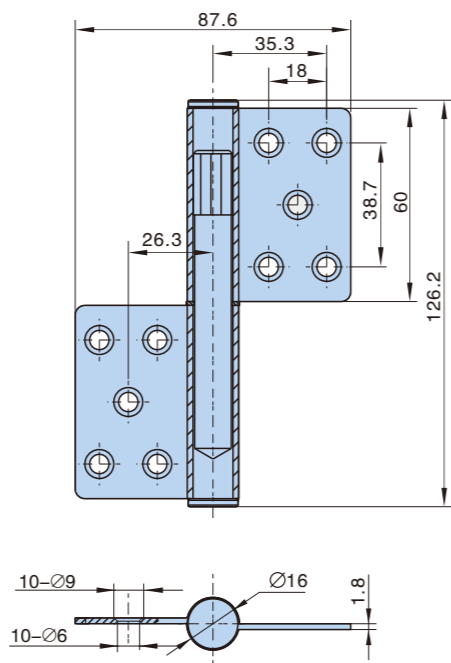
HL141R



- 材质: 中碳钢铰链, 不锈钢销子,
- 表面处理: 镀蓝白锌
- 备注: 可开启角度180~240°
- Material: medium-carbon steel hinge, stainless steel for the pin.
- Finish: white zinc plating
- Remark: 180~240° hinge.

HL069-1

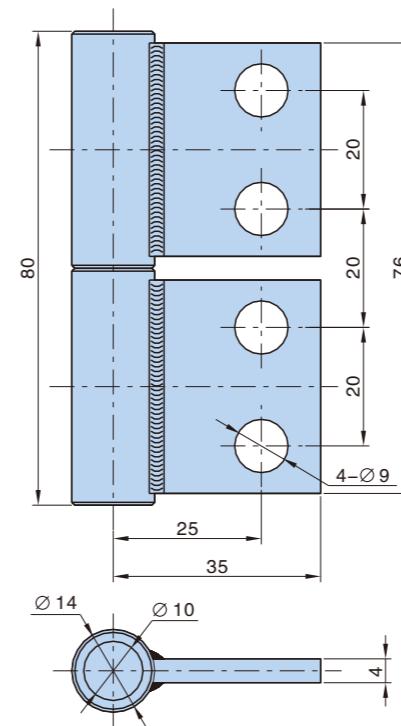
可拆卸式外露铰链 Lift-Off Hinges



- 材质: 全不锈钢铰链
- 表面处理: 拉丝
- 备注: 转动约180°
- Material: Stainless steel hinge
- Finish: drawing
- Remark: 180° hinge

型号 Product no.	产品单重(g) Weight	装箱数 Lot
HL069-1	217	100

可拆卸式外露铰链 Lift-Off Hinges



型号 Product no.	产品单重(g) Weight	装箱数 Lot
HL031	144	200

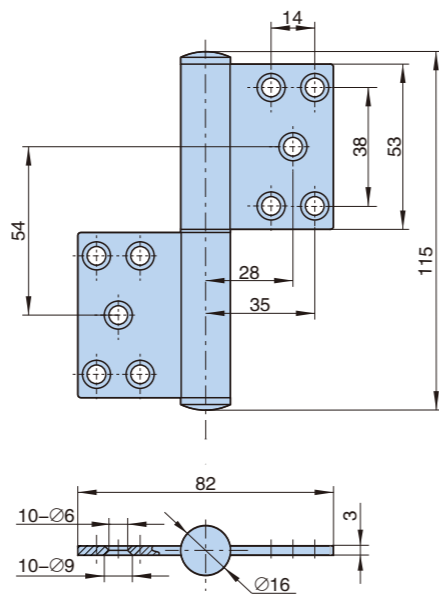
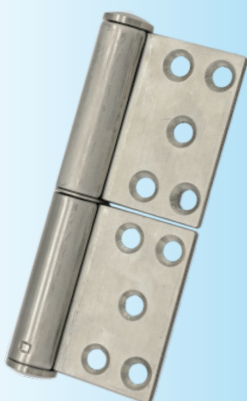
HL031



- 材质: 镀锌钢板铰链
- 表面处理: 镀蓝白锌
- Material: Zinc plating steel hinge
- Finish: white zinc plating

HL069-2

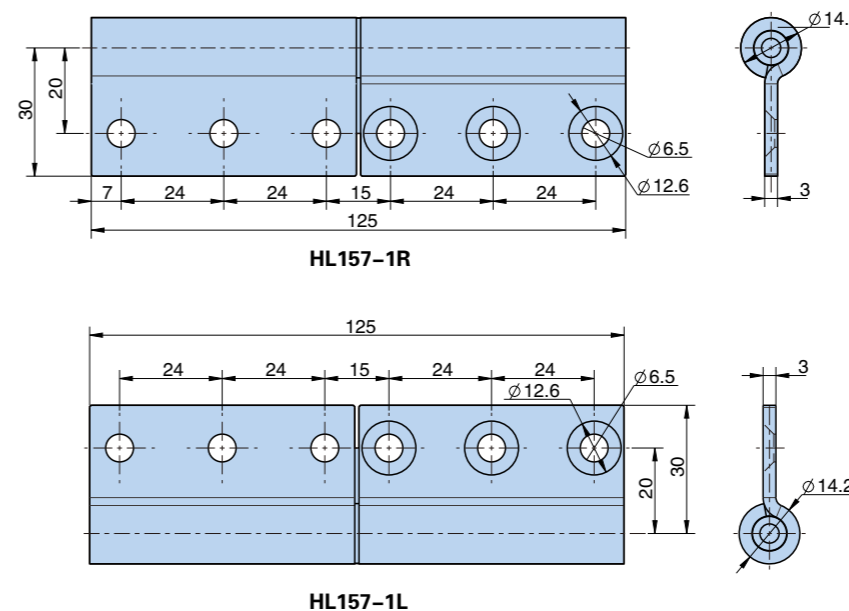
可拆卸式外露铰链 Lift-Off Hinges



- 材质: 全不锈钢铰链
- 表面处理: 拉丝
- 备注: 转动约180°
- Material: Stainless steel hinge
- Finish: drawing
- Remark: 180° hinge

型号 Product no.	产品单重(g) Weight	装箱数 Lot
HL069-2	217	100

可拆卸式外露铰链 Lift-Off Hinges



型号 Product no.	产品单重(g) Weight	装箱数 Lot
HL157-1R	196	100
HL157-1L	196	100

HL157-1



HL157-1R

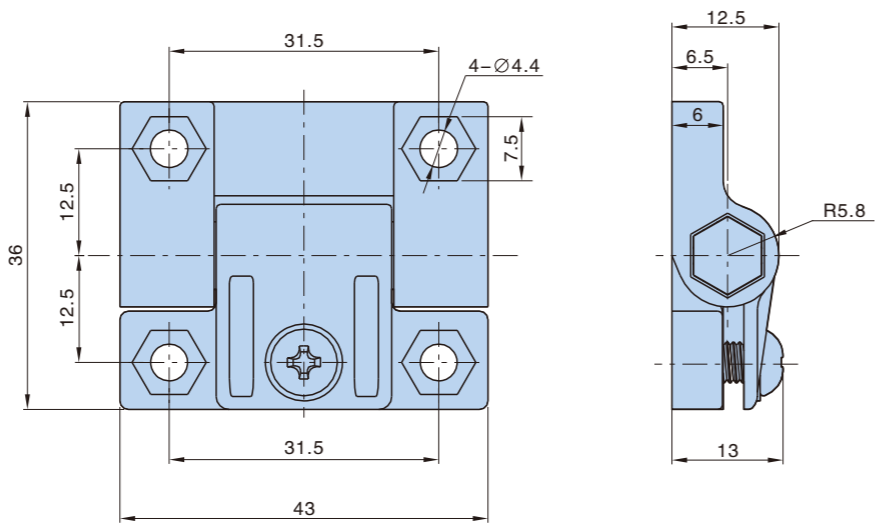


HL157-1L

- 材质: 全不锈钢铰链
- 表面处理: 拉丝
- 备注: 转动约180°
- Material: Stainless steel hinge
- Finish: drawing
- Remark: 180° hinge

HL079

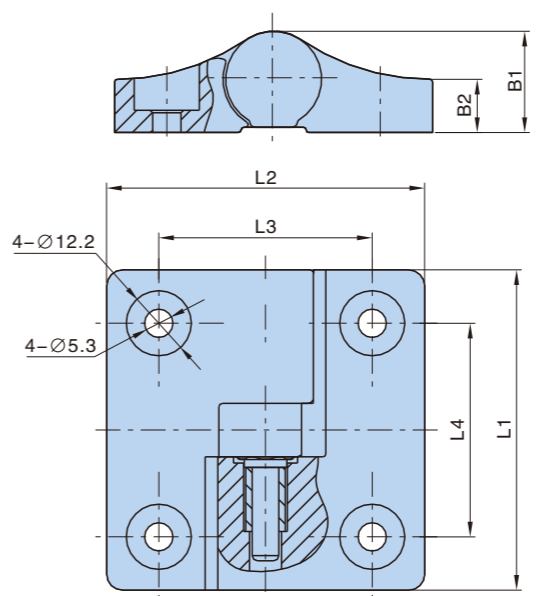
阻尼外露式铰链 Prominent Torque Hinge



- 材质: PA动静铰链, 销子为聚碳酸酯
- 表面处理: 黑色沙纹面
- 备注: 可调阻尼式明铰链, 门板转动约180°
- Material: plastic hinge
- Finish: Matt black
- Remark: Adjustable damp 180° torque hinge

型号 Product no.	产品单重(g) Weight	装箱数 Lot
HL079	12	2500

阻尼外露式铰链 Prominent Torque Hinge



基本尺寸 Dimensions						产品型号及特性 Product Number	产品单重(g) Weight	装箱数 Lot
L1	L2	L3	L4	B1	B2			
75	54	34	50	20	11	HL088-1.R/L	274	100
60	59.5	40	40	19	10	HL088-2.R/L	236	200

HL088



HL088-1R

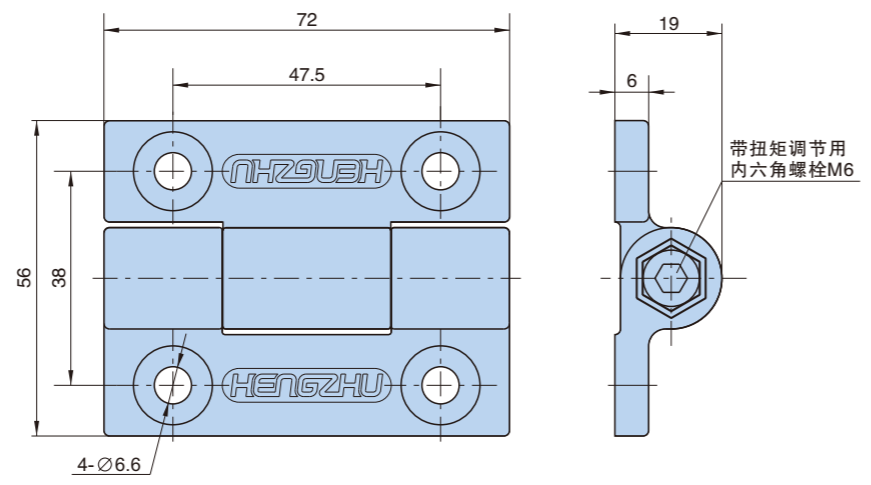


HL088-2L

- 材质: 锌合金动、静铰链, 不锈钢销子
- 表面处理: 喷沙镀铬
- 备注: 阻尼式铰链, 转动约100°
- Material: Zinc die-casting hinge, stainless steel and nickel plating steel pin are available
- Finish: Pocked chrome plating
- Remark: 100° hinge

HL127

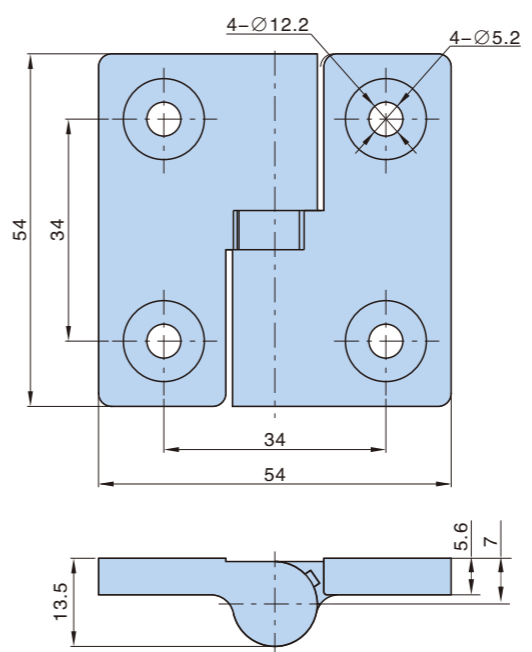
阻尼外露式铰链 Prominent Torque Hinge



- 材质: PA6铰链、镀锌螺钉
- 表面处理: 黑色沙纹面
- 结构功能: 可调节六角螺栓调整扭力
- 备注: 转角约为180°
- Material: PA6 hinge, Zinc plating steel Screw
- Finish: Matt black
- Function: adjustable hex bolt torque adjustment
- Remark: 180° hinge

型号 Product no.	产品单重(g) Weight	装箱数 Lot
HL127	50	200

阻尼外露式铰链 Prominent Torque Hinge



型号 Product no.	产品单重(g) Weight	装箱数 Lot
HL104	109	200

HL104



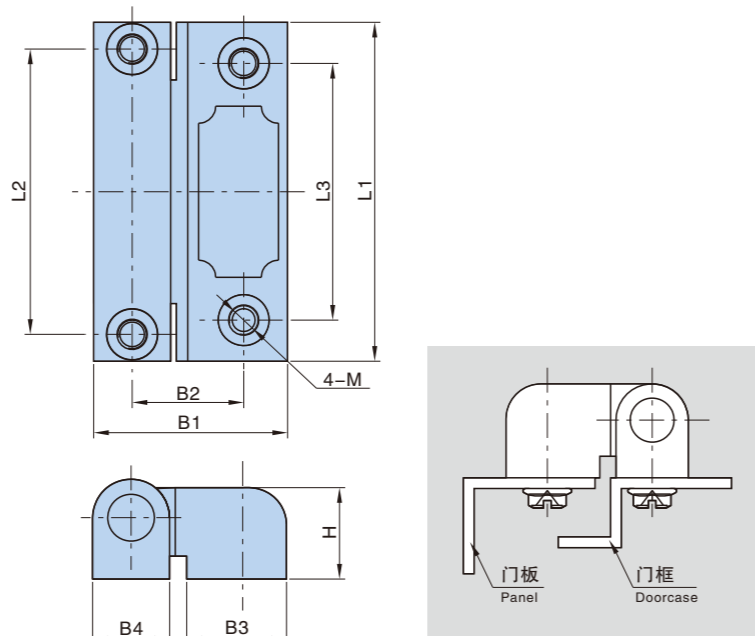
- 材质: 锌合金动、静铰链, 不锈钢销子
- 表面处理: 镀沙铬;
- 备注: 转动角度约为120°, 阻尼铰链。
- Material: Zinc die-casting hinge, stainless steel pin;
- Finish: Gray chrome plating
- Remark: 180° torque hinge

HL023

阻尼外露式铰链 Prominent Torque Hinge

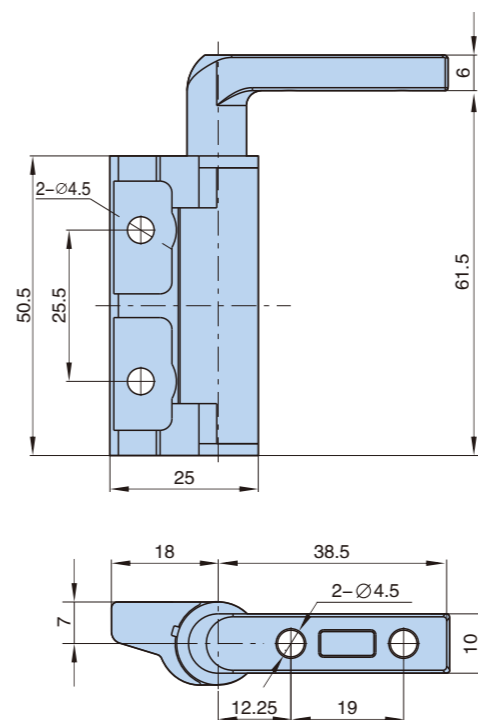


- 材质: 锌合金动、静铰链, 分不锈钢和镀镍钢销子
- 备注: 转动约180°
- Material: Zinc die-casting hinge, stainless steel and nickel plating steel pin are available
- Remark: 180° hinge



基本尺寸 Dimensions									产品型号及特性 Product Number			
L1	L2	L3	B1	B2	B3	B4	H	M	喷无光黑 Black powder coated	镀沙铬 Gray chrome plating	产品单重(g) Weight	装箱数 Lot
59.5	50	45	34	19.5	17.5	13.5	17.5	5	HL023-1Z.3	HL023-1Z.2	165	200
30	22	22	28.5	18.5	15.5	10	13	4	HL023-2Z.3	HL023-2Z.2	42.5	400
30	22	22	22	13	9	10	13	4	HL023-3Z.3	HL023-3Z.2	43	500

阻尼隐藏式铰链 Concealed Torque Hinge



型号 Product no.	产品单重(g) Weight	装箱数 Lot
HL124-1R	87	200
HL124-1L	87	200

HL124-1R/L



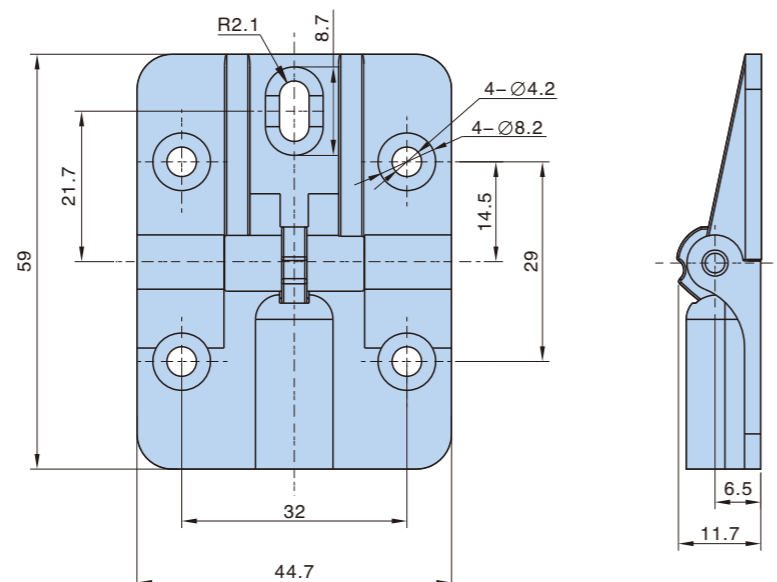
- 材质: 锌合金动、静铰链, A3销子
- 表面处理: 本色
- 备注: 带阻尼铰链, 可开启角度180°
- Material: zinc alloy hinge, steel pin
- Finish: ecru
- Remark: friction hinge 180° hinge

HL056

阻尼外露式铰链 Prominent Torque Hinge

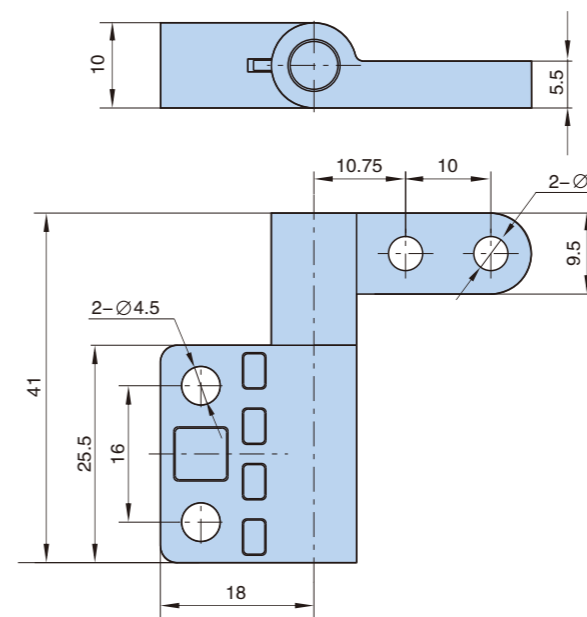


- 材质: 锌合金动、静铰链, 分不锈钢和镀镍钢销子
- 表面处理: 镀亮铬
- 备注: 可90°或180°定位
- Material: Zinc die-casting hinge, stainless steel and nickel plating steel pin are available
- Finish: Bright chrome plating
- Remark: The hinge can stop at 90 and 180°



型号 Product no.	产品单重(g) Weight	装箱数 Lot
HL056	70	400

阻尼隐藏式铰链 Concealed Torque Hinge



型号 Product no.	产品单重(g) Weight	装箱数 Lot
HL124-2R	75	400
HL124-2L	75	400

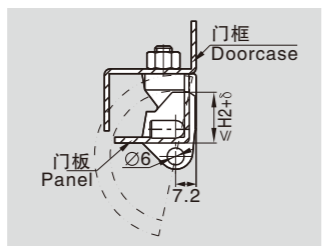
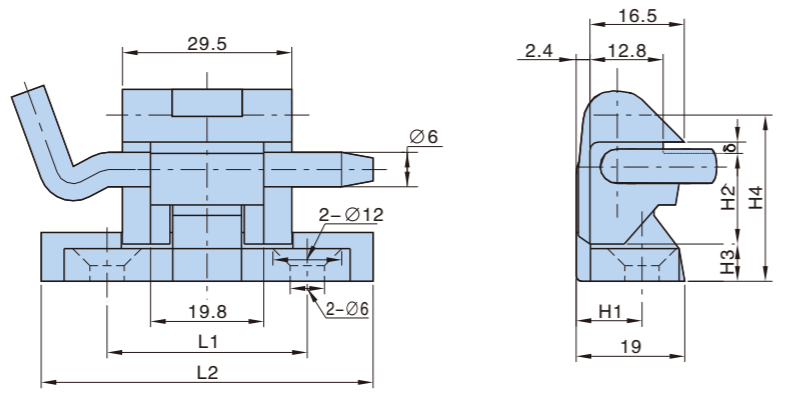
HL124-2R/L



- 材质: 锌合金动静铰链, A3销子
- 表面处理: 本色
- 备注: 带阻尼铰链, 可开启角度180°
- Material: zinc alloy hinge, steel pin
- Finish: ecru
- Remark: friction hinge 180° hinge

HL001

侧边安装外露式铰链 Side prominent Hinge

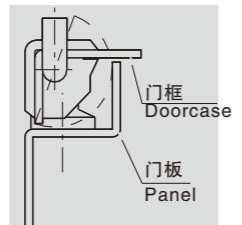
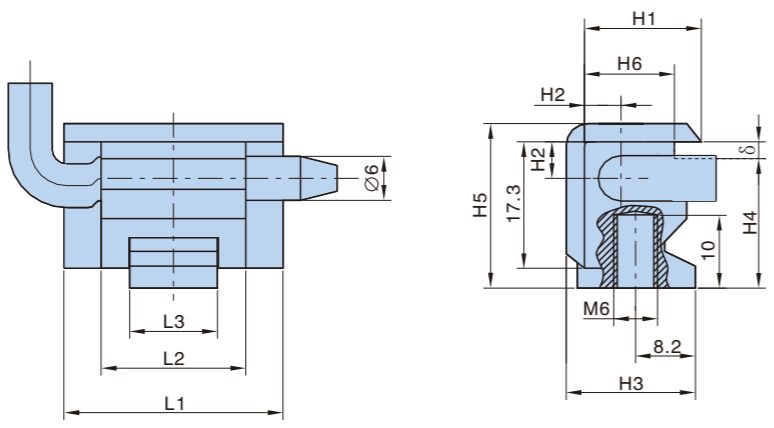


- 材质: 锌合金动、静铰链, 分不锈钢和镀镍钢销子
- 表面处理: 喷无光黑
- 备注: 转动约180°
- Material: Zinc die-casting hinge, stainless steel and nickel plating steel pin are available.
- Finish: Black powder coated
- Remark: 180° hinge.

基本尺寸 Dimensions							产品型号 Product Number	产品单重(g) Weight	装箱数 Lot
H1	H2	H3	H4	L1	L2	δ			
11.5	15.8	6.5	29	35	58	2	HL001-1	101	200
10	9.8	4.8	22	25	48	2.2	HL001-2	75	300

HL003

侧边安装外露式铰链 Side prominent Hinge



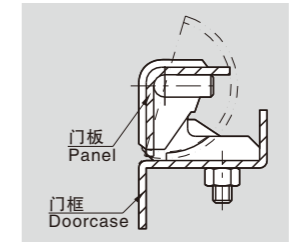
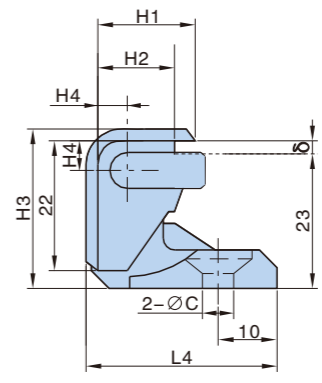
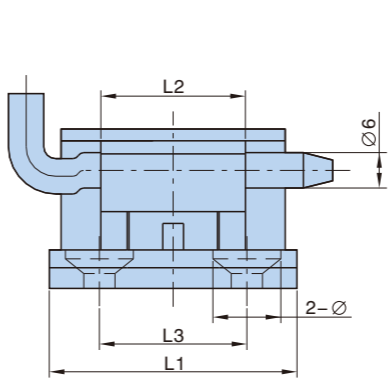
- 材质: 锌合金动、静铰链, 分不锈钢和镀镍钢销子
- 表面处理: 镀亮铬, 喷无光黑
- 备注: 转动约180°
- Material: Zinc die-casting hinge, stainless steel and nickel plating steel pin are available
- Finish: Bright chrome plating Black powder coated
- Remark: 180° hinge

基本尺寸 Dimensions										产品型号及特性 Product Number			
H1	H2	H3	H4	H5	H6	L1	L2	L3	δ	喷无光黑 Black powder coated	镀亮铬 Bright chrome plating	产品单重(g) Weight	装箱数 Lot
17.2	5.7	18.5	17.7	23	13	40	26.5	16	2.5	HL003-1.3	HL003-1.1	67	300
16	5.2	17	16.5	21	12	30	19.5	12	2.3	HL003-2.3	HL003-2.1	44	400
16	5.2	17	16.5	21	12	30	19.5	12	2.3	不锈钢 Stainless steel	HL003-2S	50	400

G041

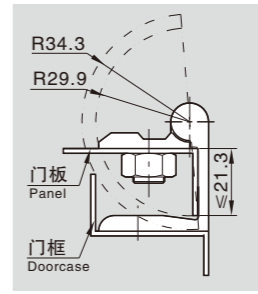
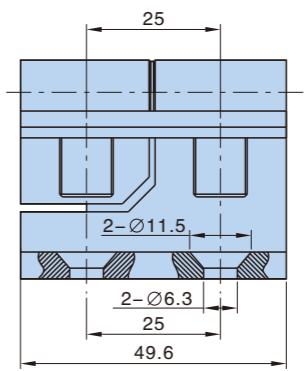
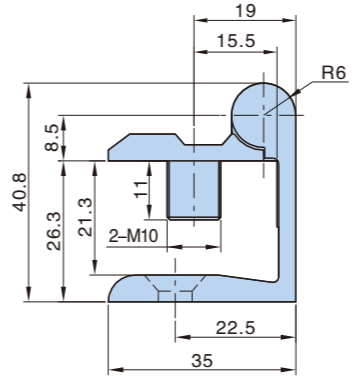
恒珠柜锁 电话(TEL):0795-2119999, 3256555 E-mail: admin@hengzhu.com

侧边安装外露式铰链 Side prominent Hinge



基本尺寸 Dimensions											产品型号及特性 Product Number			
H1	H2	H3	H4	L1	L2	L3	L4	∅C	δ	∅	喷无光黑 Black powder coated	镀亮铬 Bright chrome plating	产品单重(g) Weight	装箱数 Lot
18	15.5	27.5	5.5	52	40	35	33	6.2	2.3	12	HL004-1.3	HL004-1.1	140	200
16	13	27	5.5	42	24.5	25	32.7	5.3	2.2	11.5	HL004-2.3	HL004-2.1	135	200
17.5	14	28	6.2	42	25	25	33	6.2	3.2	12	HL004-3.3	HL004-3.1	129	200

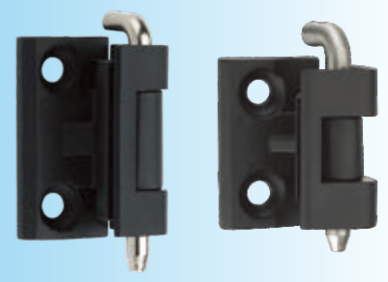
侧边安装外露式铰链 Side prominent Hinge



产品型号及特性 Product Number														
左铰链 Left hinge							右铰链 Right hinge							
HL006L-1	产品单重(g) Weight	装箱数 Lot	HL006L-2	产品单重(g) Weight	装箱数 Lot	HL006R-1	产品单重(g) Weight	装箱数 Lot	HL006R-2	产品单重(g) Weight	装箱数 Lot	HL006R-1	产品单重(g) Weight	装箱数 Lot
157	150	150	218	150	150	218	150	150	218	150	150	218	150	150

恒珠柜锁 电话(TEL):0795-2119999, 3256555 E-mail: admin@hengzhu.com

HL004



HL004-1 HL004-2

- 材质: 锌合金动、静铰链, 分不锈钢和镀镍钢销子
- 表面处理: 镀亮铬, 喷无光黑
- 备注: 转动约180°
- Material: Zinc die-casting hinge stainless steel and nickel plating steel pin are available
- Finish: Bright chrome plating Black powder coated
- Remark: 180° hinge.

HL006



HL006L-1

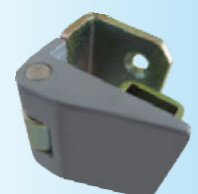
HL006L-2

- 材质: 锌合金动、静铰链, 分不锈钢和镀镍钢销子, 铜垫圈
- 表面处理: 喷无光黑, 喷沙纹黑
- 备注: 转动约180°
- Material: Zinc die-casting hinge, stainless steel and nickel plating steel pin are available, brass washer
- Finish: Matt black, Black powder coated
- Remark: 180° hinge

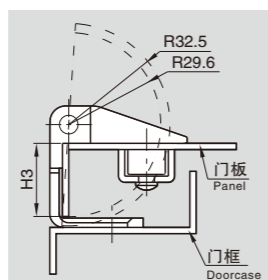
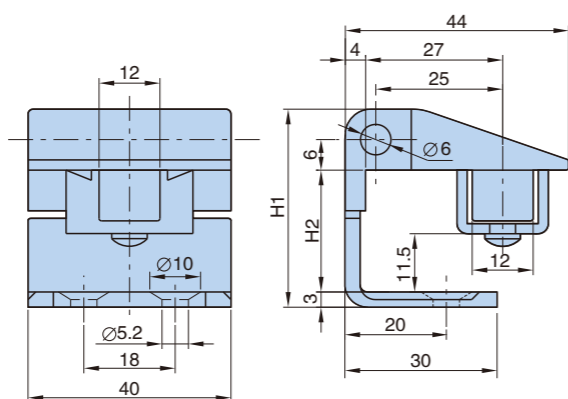
G042

HL008

侧边安装外露式铰链 Side prominent Hinge

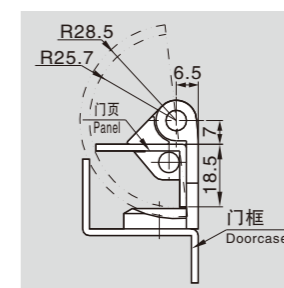
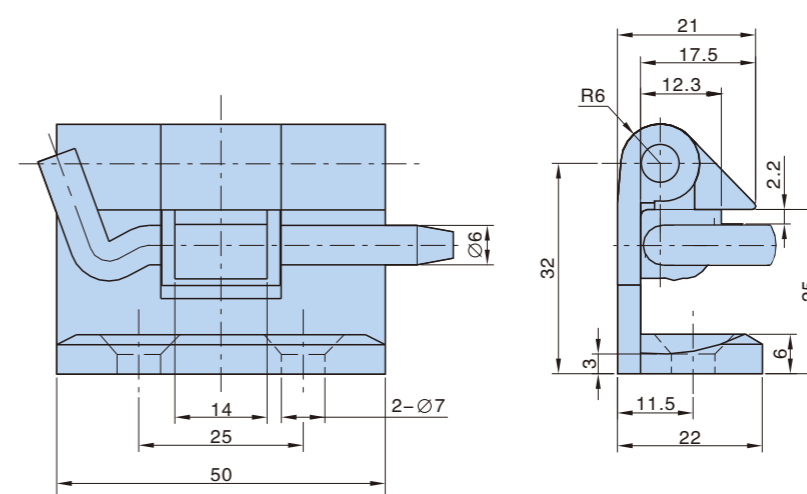


- 材质: 锌合金动铰链, 镀锌钢板静铰链和压板, 分不锈钢和镀镍钢销子;
- 备注: 转动约180°
- Material: Zinc die-casting hinge, stainless steel and nickel plating steel pin are available.
- Remark: 180° hinge.



基本尺寸 Dimensions			产品型号及特性 Product Number			
H1	H2	H3	喷无光黑 Black powder coated	喷塑灰 Gray paint sprayed	产品 单重(g) Weight	装箱数 Lot
42	27	26.5	HL008-1.3	HL008-1.8	166	150
39	24	23.5	HL008-2.3	HL008-2.8	71	150

侧边安装外露式铰链 Side prominent Hinge



型号 Product no.	产品单重(g) Weight	装箱数 Lot
HL015	147	200

HL015



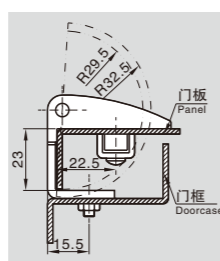
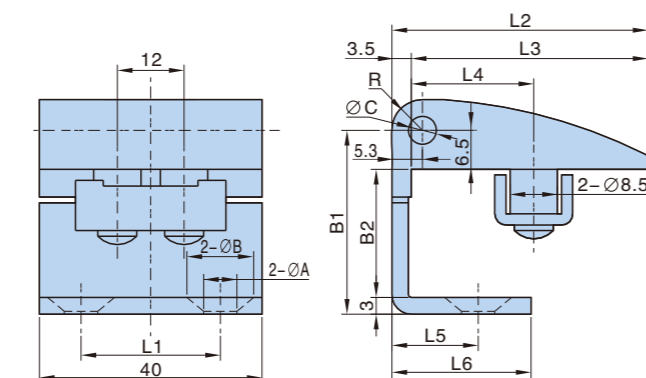
- 材质: 锌合金动、静铰链, 分不锈钢和镀镍钢销子
- 表面处理: 喷无光黑
- 备注: 转动约180°
- Material: Zinc die-casting hinge, stainless steel and nickel plating steel pin are available
- Finish: Black powder coated
- Remark: 180° hinge.

HL044

侧边安装外露式铰链 Side prominent Hinge

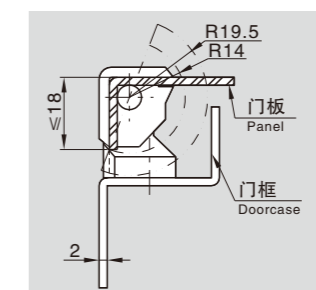
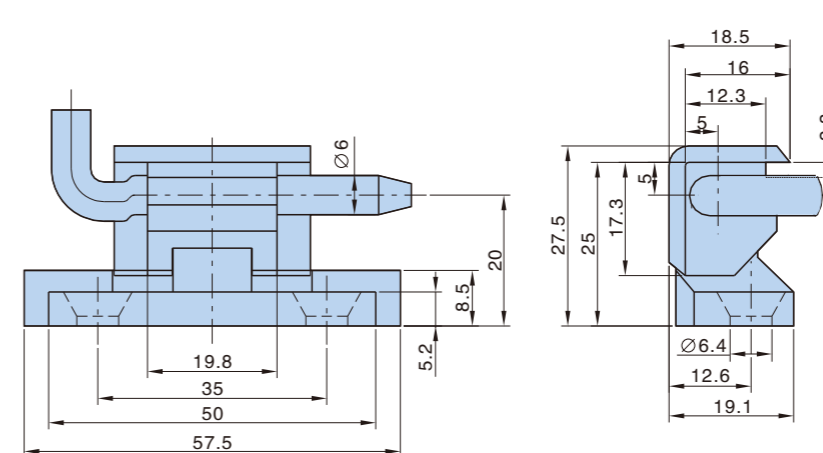


- 材质: 锌合金静铰链, 镀锌钢动铰链和安装板, 分不锈钢和镀镍钢销子
- 备注: 转动约为180°
- Material: Zinc die-casting hinge, stainless steel and nickel plating steel pin are available.
- Remark: 180° hinge



基本尺寸 Dimensions											产品型号及特性 Product Number				
L1	L2	L3	L4	L5	L6	B1	B2	ØA	ØB	ØC	R	喷无光黑 Black power coated	喷蓝绿色 Bluish green	产品 单重(g) Weight	装箱数 Lot
25	46	43	22.5	15.5	25	34	24.5	6	11	5.1	5.5	HL044-1.3	HL044-1.9	142	200
20	46	43	22.5	18	25.5	32	22.5	7	11.5	5.1	5.5	HL044-1B.3	HL044-1B.9	126	200
25	46	43	22.5	18	25	24.5	15	6		5.1	5.5	HL044-7.3	HL044-7.9	135	200

侧边安装外露式铰链 Side prominent Hinge



型号 Product no.	产品单重(g) Weight	装箱数 Lot
HL016	85	300

HL016



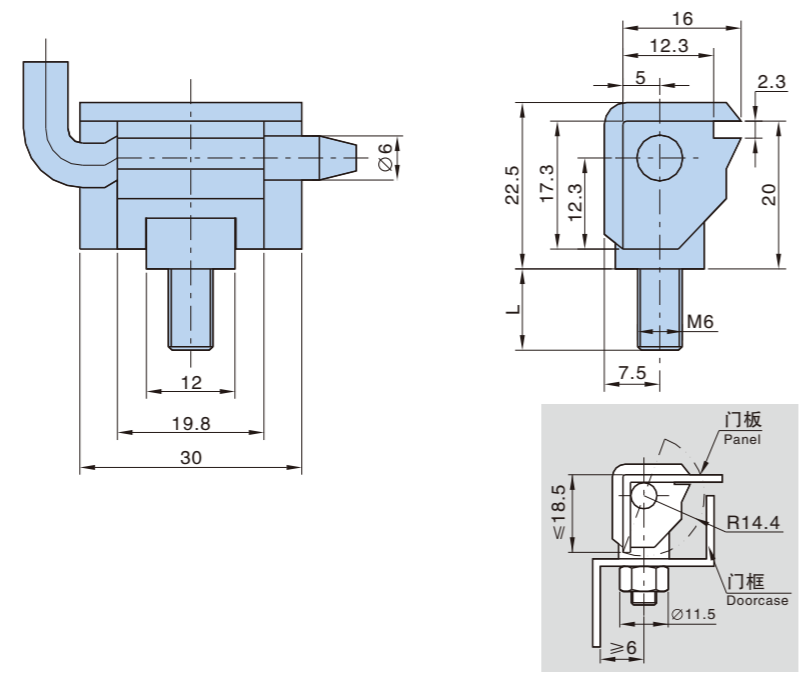
- 材质: 锌合金动、静铰链, 分不锈钢和镀镍钢销子
- 表面处理: 喷无光黑
- 备注: 转动约180°
- Material: Zinc die-casting hinge, stainless steel and nickel plating steel pin are available
- Finish: Black powder coated
- Remark: 180° hinge

HL017-1

侧边安装外露式铰链 Side prominent Hinge

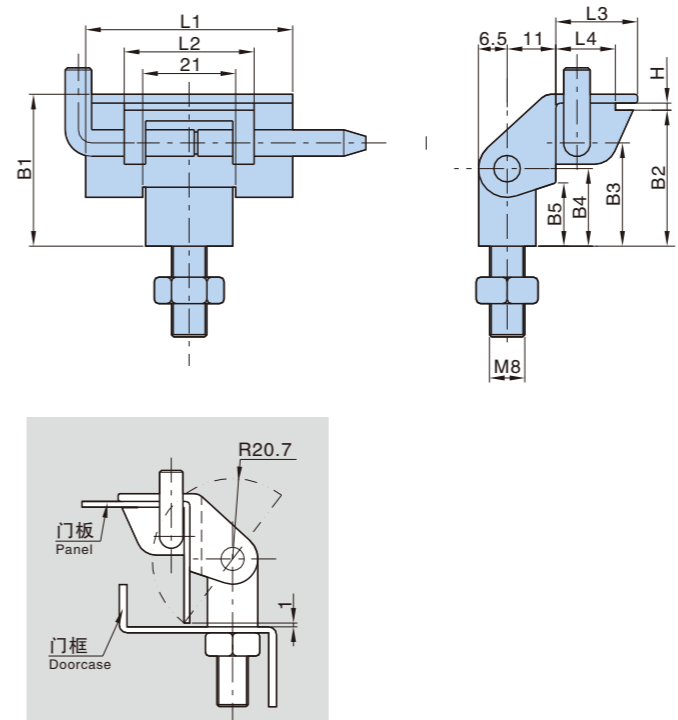


- 材质: 锌合金动、静铰链, 分不锈钢和镀镍钢销子及镶嵌螺钉;
- 备注: 转动约180°
- Material: Zinc die-casting hinge, stainless steel and nickel plating steel pin are available
- Remark: 180° hinge



基本尺寸 Dimensions	产品型号及特性 Product Number			
	喷无光黑 Black powder coated	镀沙铬 Gray chrome plating	产品单重(g) Weight	装箱数 Lot
L1				
15	HL017-1.3	HL017-1.2	50.5	400
12	HL017-2.3	HL017-2.2	48.5	400

侧边安装外露式铰链 Side prominent Hinge



基本尺寸 Dimensions										产品型号及特性 Product Number	产品单重(g) Weight	装箱数 Lot
L1	L2	L3	L4	B1	B2	B3	B4	B5	H			
46.8	29.5	18.5	13.5	34.3	30.7	23.3	17.5	14.3	1.6	HL033-1R/L	147.5	200
46.5	29.5	19.2	11.7	28.5	24.8	17.1	11.6	8.6	1.9	HL033-2R/L	140	200

HL033-1R



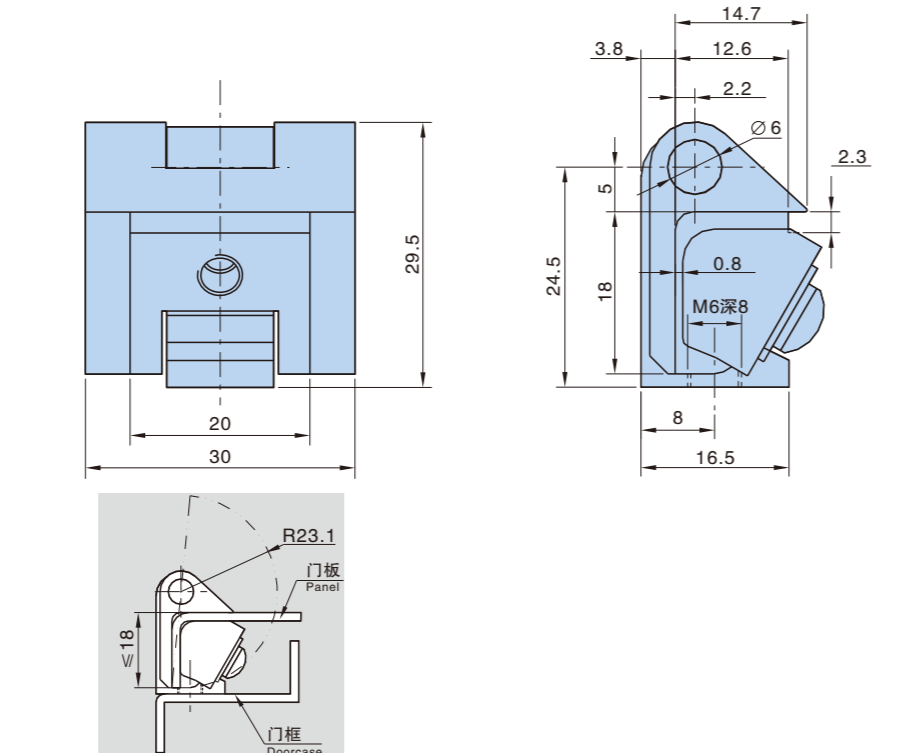
- 材质: 锌合金动、静铰链, 分不锈钢和镀镍钢销子及镶嵌螺钉
- 表面处理: 喷无光黑
- 备注: 转动约180°
- Material: Zinc die-casting hinge, stainless steel and nickel plating steel pin are available
- Finish: Black powder coated
- Remark: 180° hinge

HL026

侧边安装外露式铰链 Side prominent Hinge

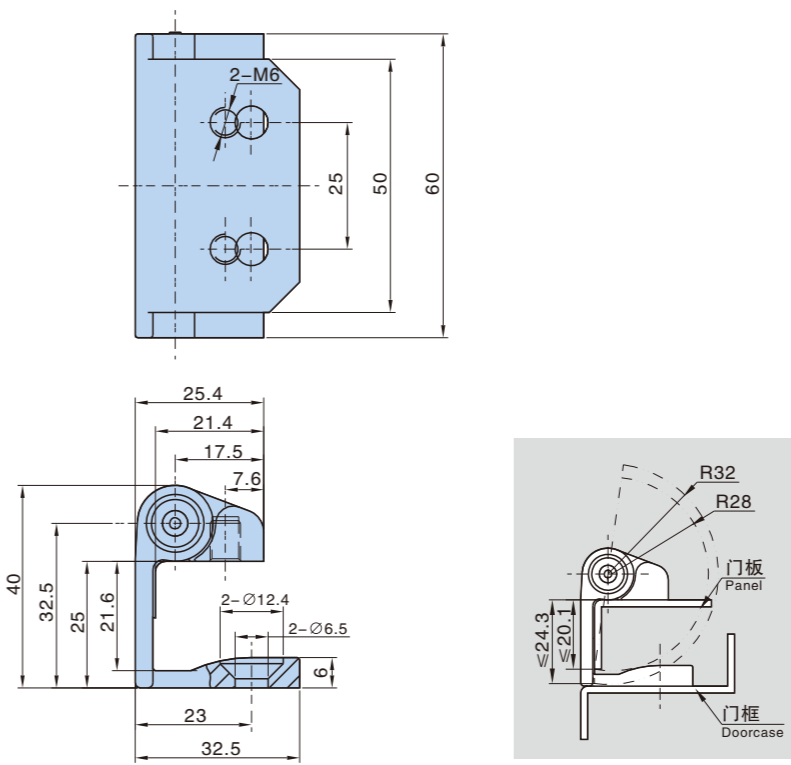


- 材质: 锌合金动、静铰链, 分不锈钢和镀镍钢销子, 镀锌钢压板
- 备注: 转动约180°
- Material: Zinc die-casting hinge, stainless steel and nickel plating steel pin are available, Zinc plating, fixing parts.
- Remark: 180° hinge



产品型号及特性 Product Number		产品单重(g) Weight	装箱数 Lot
喷无光黑 Black powder coated	HL026.3	61.5	400
镀亮铬 Bright chrome plating	HL026.1		

侧边安装外露式铰链 Side prominent Hinge



型号 Product no.	产品单重(g) Weight	装箱数 Lot
HL073	181	200

HL073

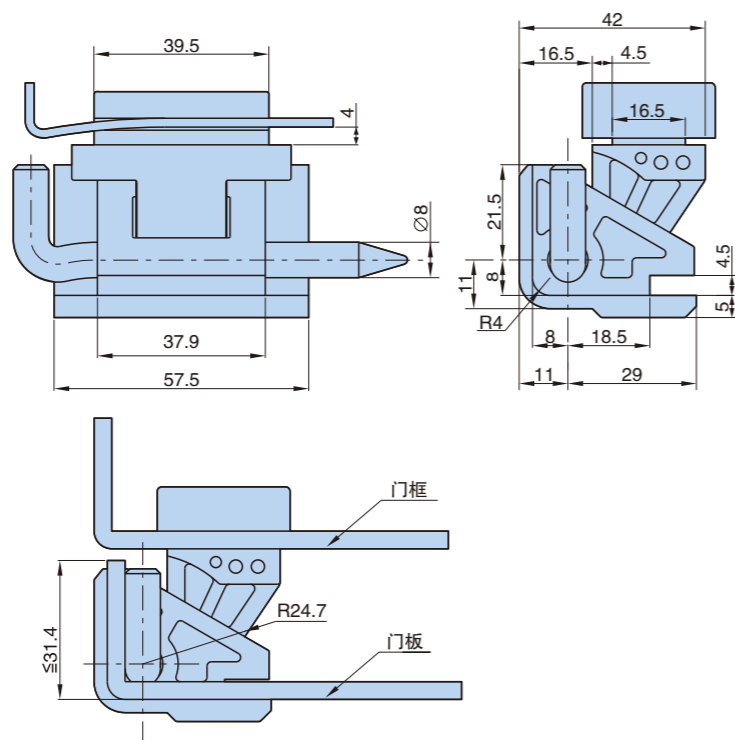


- 材质: 锌合金动、静铰链, PA-66 销子
- 表面处理: 喷沙纹黑
- 备注: 转动约180°
- Material: Zinc die-casting hinge, PA-66 pin
- Finish: Matt black
- Remark: 180° hinge.



HL089

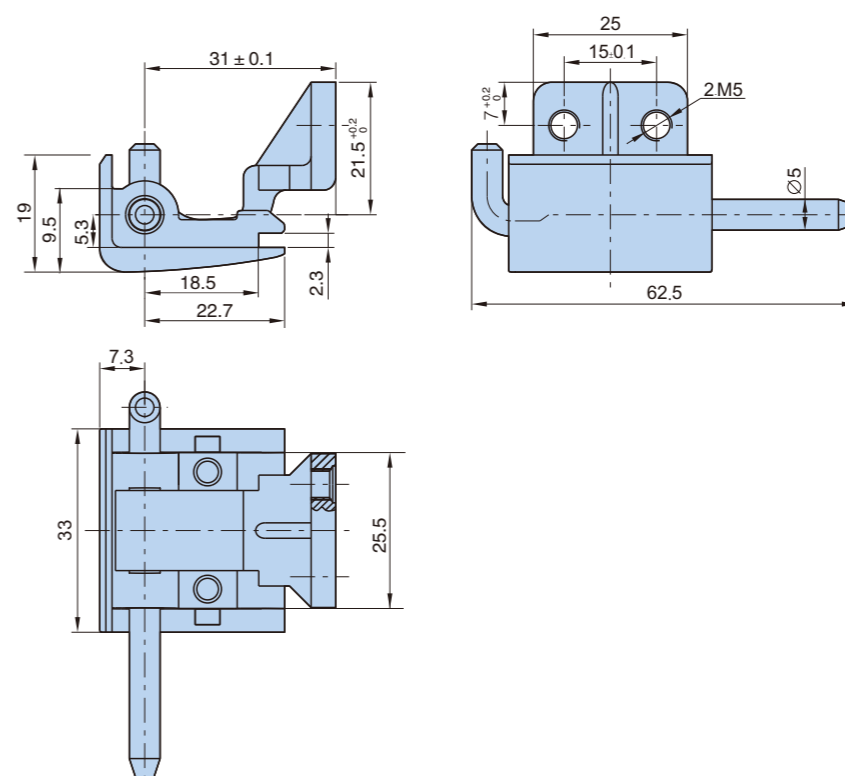
侧边安装外露式铰链 Side prominent Hinge



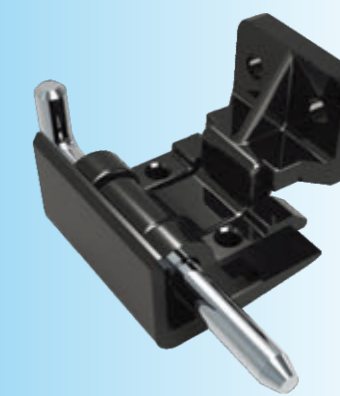
- 材质：锌合金动、静铰链，A3销子、安装卡板。
- 表面处理：喷无光黑
- 备注：转动约为180°
- Material: Zinc alloy hinge, steel pin
- Finish: Black powder coated
- Remark: 180° hinge

型号 Product no.	产品单重(g) Weight	装箱数 Lot
HL089	285	200

侧边安装外露式铰链 Side prominent Hinge



HL130-2

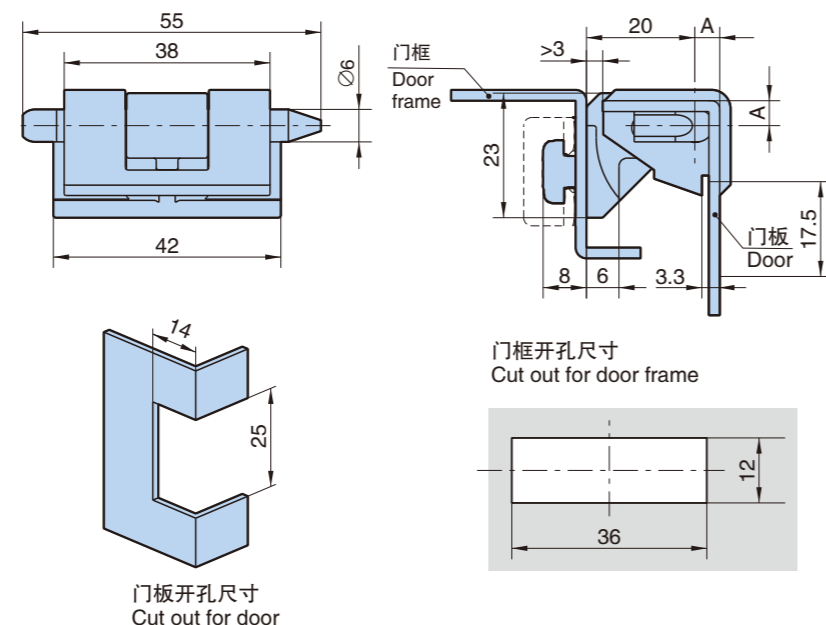


- 材质：锌合金动、静铰链，A3销子
- 表面处理：喷亚光黑
- 适用板厚：1-2.3mm
- 备注：可开启角度130°
- Material :zinc alloy hinge steel pin
- Finish: Black powder coated
- Panel thickness: 2.3mm
- Remark: :130° hinge

型号 Product no.	产品单重(g) Weight	装箱数 Lot
HL130-2	73	400

HL089-2A

侧边安装外露式铰链 Side prominent Hinge

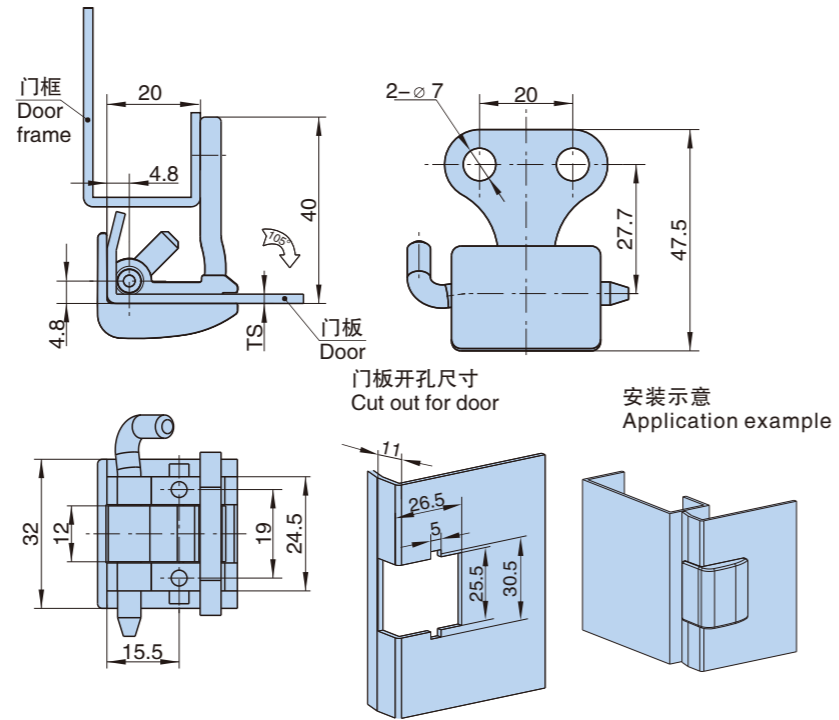


- 材质：锌合金铰链，碳钢销子
- 表面处理：喷无光黑
- 备注：旋转约180°
- Material: Zinc die-casting hinge steel pin
- Finish: black powder coated
- Remark: 180° hinge

型号 Product no.	基本尺寸 Dimensions	适用门板厚度Ts Panel thickness	产品单重(g) Weight	装箱数 Lot
	A			
HL089-2A	4.6	1.5 mm	111.5	200

HL136

侧边安装外露式铰链 Side prominent Hinge

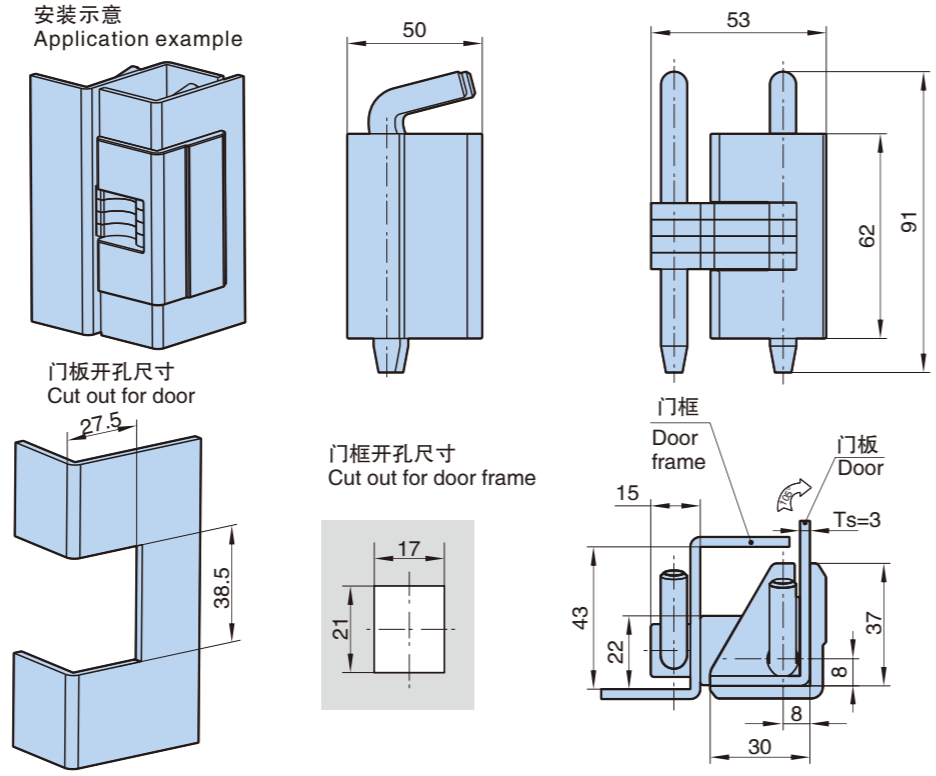


- 材质: 锌合金铰链, 碳钢销子
- 表面处理: 喷无光黑
- 备注: 可开启角105°
- Material: Zinc die-casting hinge
- Finish: black powder coated
- Remarks: 105° hinge

型号 Product no.	基本尺寸 Dimensions	产品单重(g) Weight	装箱数 Lot
HL136-1	Ts=1.5	86.5	200
HL136-2	Ts=2	85.3	200

HL137

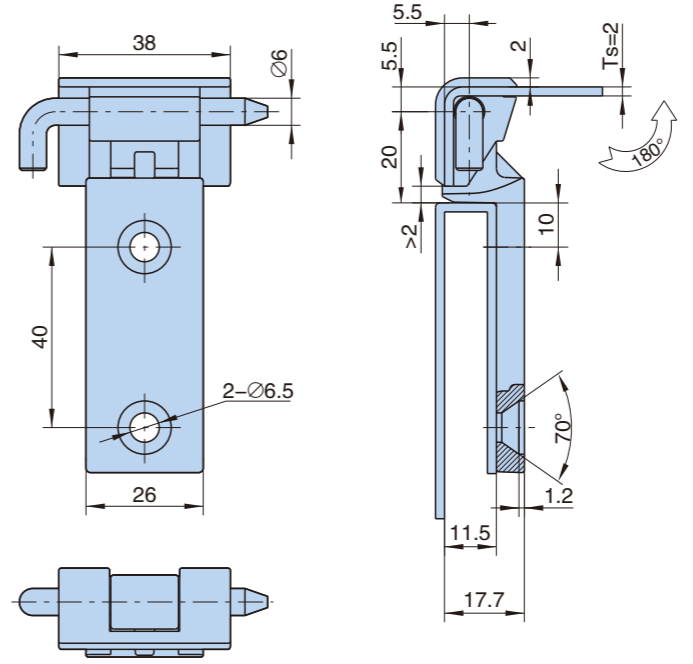
侧边安装外露式铰链 Side prominent Hinge



- 材质: 锌合金铰链, 碳钢销子
- 表面处理: 喷塑灰
- 适用门板厚度: 1~3mm
- 备注: 旋转约105°
- Material: Zinc die-casting hinge steel pin
- Finish: Pensu ash
- Panel thickness: 1~3mm
- Remarks: 105° hinge

型号 Product no.	产品单重(g) Weight	装箱数 Lot
HL137	370	60

侧边安装外露式铰链 Side prominent Hinge



型号 Product no.	产品单重(g) Weight	装箱数 Lot
HL150-1	128.5	200

HL150-1

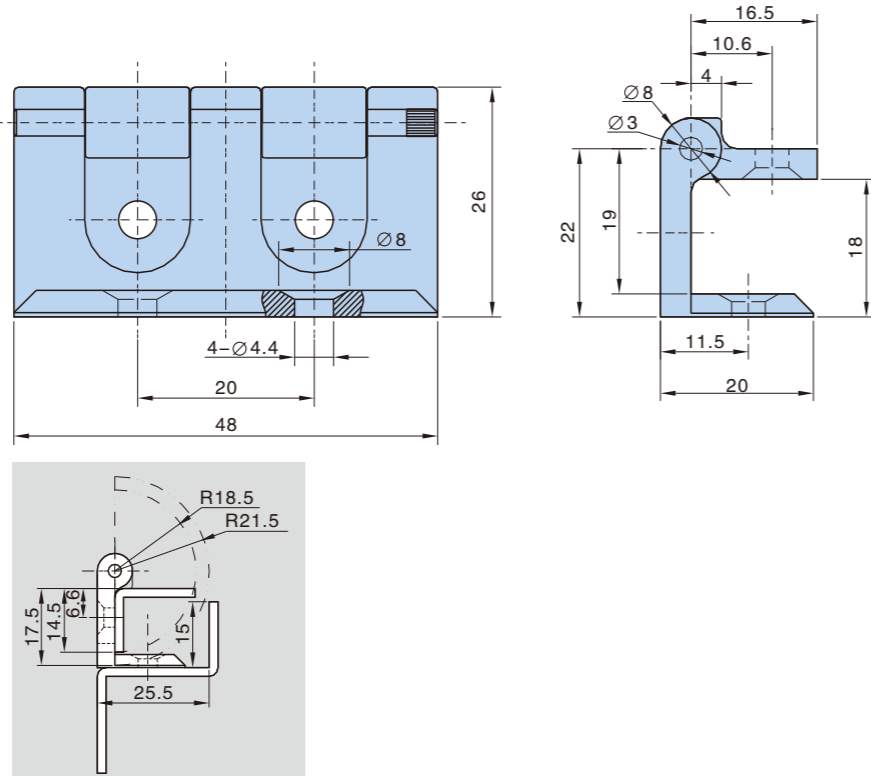


- 材质: 锌合金铰链, 碳钢销子
- 表面处理: 镀锌
- 适用门板厚度: 2mm
- 备注: 开启角度180°
- Material: Zinc die-casting hinge, steel pin
- Finish: Nickel plating
- Panel thickness: 2mm
- Remark: 180° hinge

型号 Product no.	产品单重(g) Weight	装箱数 Lot
HL150-1	128.5	200

HL046

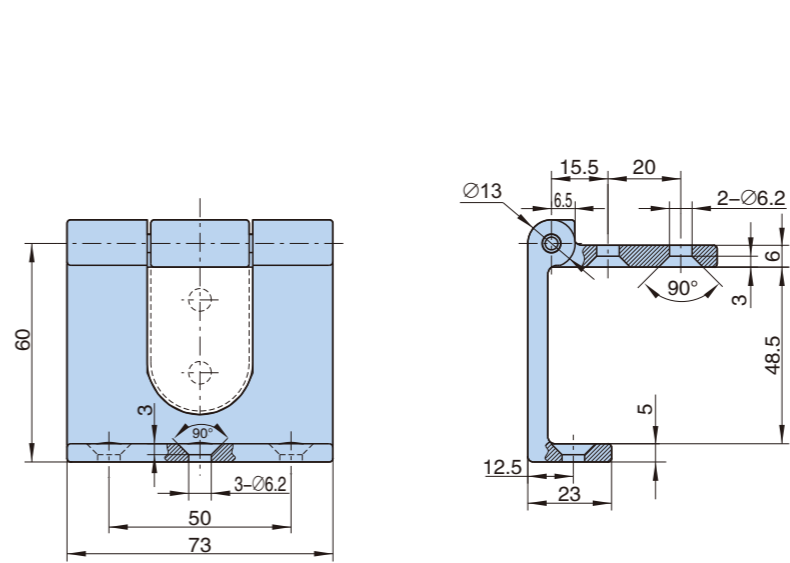
侧边安装外露式铰链 Side prominent Hinge



- 材质: 锌合金动、静铰链, 分不锈钢和镀镍钢销子
- 表面处理: 喷沙镀铬
- 备注: 转动约180°
- Material: Zinc die-casting hinge, stainless steel and nickel plating steel pin are available
- Finish: Pocked chrome plating
- Remark: 180° hinge

型号 Product no.	产品单重(g) Weight	装箱数 Lot
HL046	48	500

侧边安装外露式铰链 Side prominent Hinge



型号 Product no.	产品单重(g) Weight	装箱数 Lot
HL047-2	239.5	100

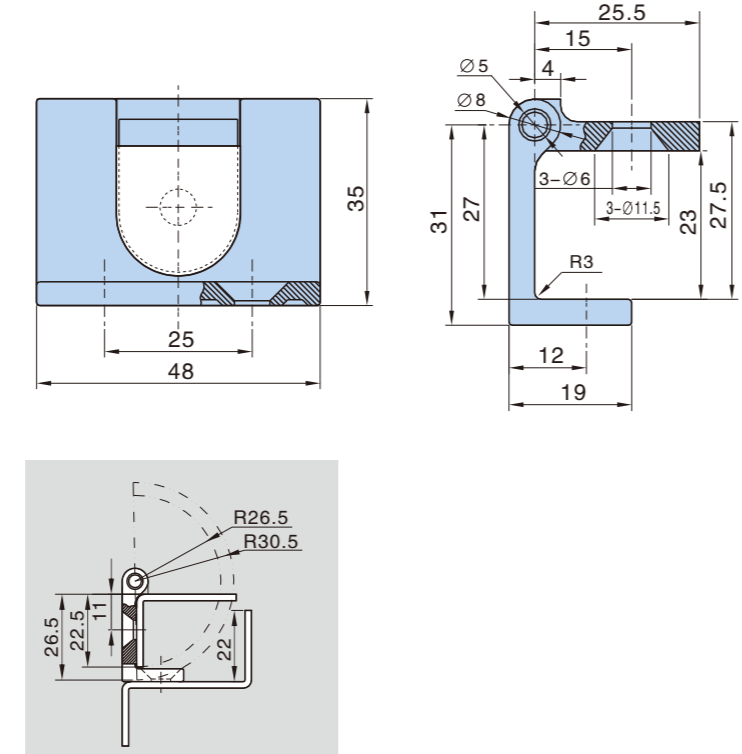
HL047-2



- 材质: 锌合金动、静铰链, 分不锈钢和镀镍钢销子
- 表面处理: 喷无光黑
- 备注: 转动约180°
- Material: Zinc die-casting hinge, stainless steel and nickel plating steel pin are available
- Finish: Black powder coated
- Remark: 180° hinge.

HL047-1

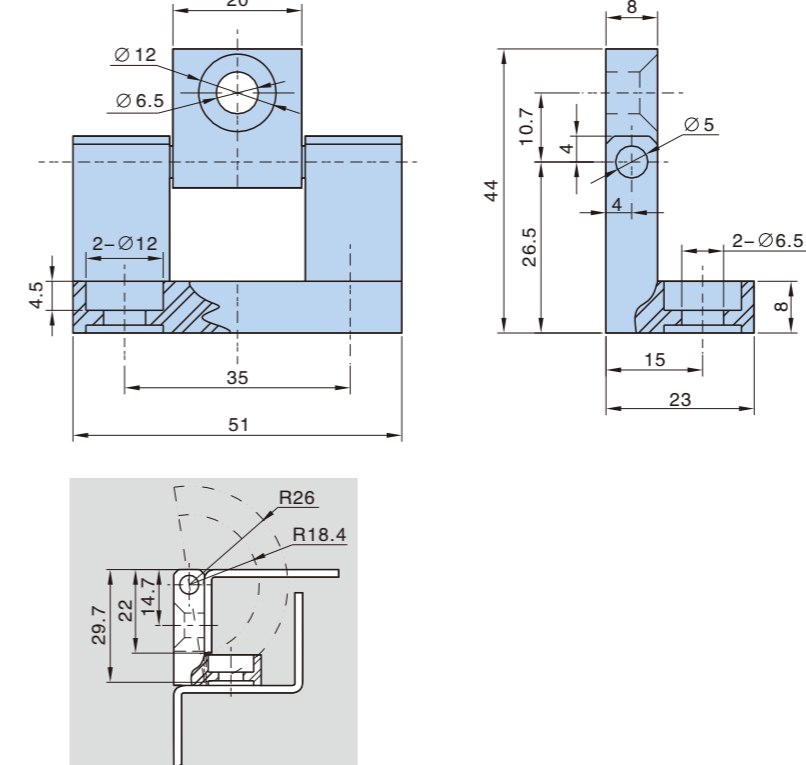
侧边安装外露式铰链 Side prominent Hinge



- 材质: 锌合金动、静铰链, 分不锈钢和镀镍钢销子
- 表面处理: 喷无光黑
- 备注: 转动约180°
- Material: Zinc die-casting hinge, stainless steel and nickel plating steel pin are available
- Finish: Black powder coated
- Remark: 180° hinge.

型号 Product no.	产品单重(g) Weight	装箱数 Lot
HL047-1	65	400

侧边安装外露式铰链 Side prominent Hinge



型号 Product no.	产品单重(g) Weight	装箱数 Lot
HL053	97	300

HL053



- 材质: 锌合金动、静铰链, 分不锈钢和镀镍钢销子
- 表面处理: 喷无光黑
- 备注: 转动约180°
- Material: Zinc die-casting hinge, stainless steel and nickel plating steel pin are available
- Finish: Black powder coated
- Remark: 180° hinge

A拉手系列 Handles series

B平面锁系列 Plane lock series

C连杆锁系列 Rod control series

D面板锁系列 Plane lock series

E执手锁系列 Handle lock series

F转舌锁系列 Cam lock series

G铰链系列 Hinge series

H搭扣锁系列 Toggle lock series

I门销系列 Door bolt series

J电子锁系列 Electronic lock series

K密封条系列 Gasketing series

L限位系列 Door stop series

M附件系列 Accessories series

N不锈钢件系列 Stainless steel series

索引 Index

A拉手系列 Handles series

B平面锁系列 Plane lock series

C连杆锁系列 Rod control series

D面板锁系列 Plane lock series

E执手锁系列 Handle lock series

F转舌锁系列 Cam lock series

G铰链系列 Hinge series

H搭扣锁系列 Toggle lock series

I门销系列 Door bolt series

J电子锁系列 Electronic lock series

K密封条系列 Gasketing series

L限位系列 Door stop series

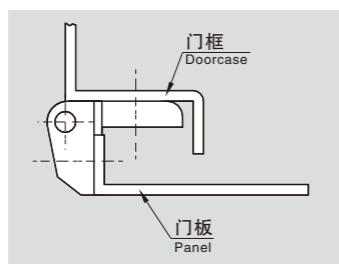
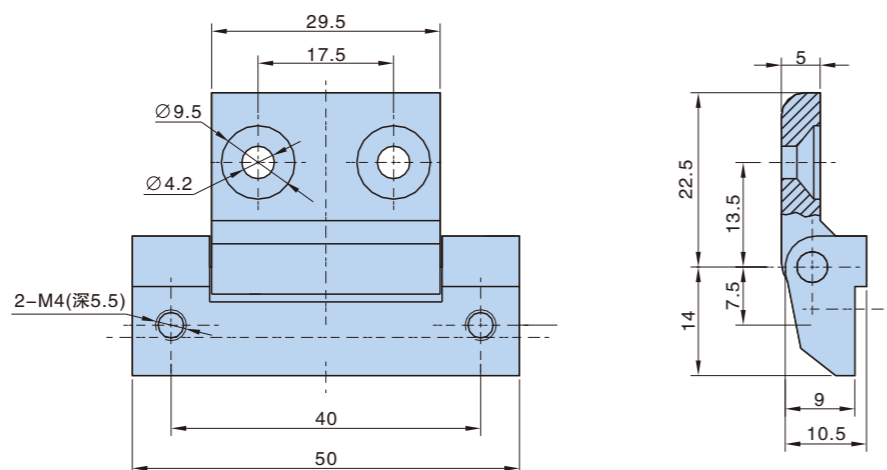
M附件系列 Accessories series

N不锈钢件系列 Stainless steel series

索引 Index

HL062

侧边安装外露式铰链 Side prominent Hinge

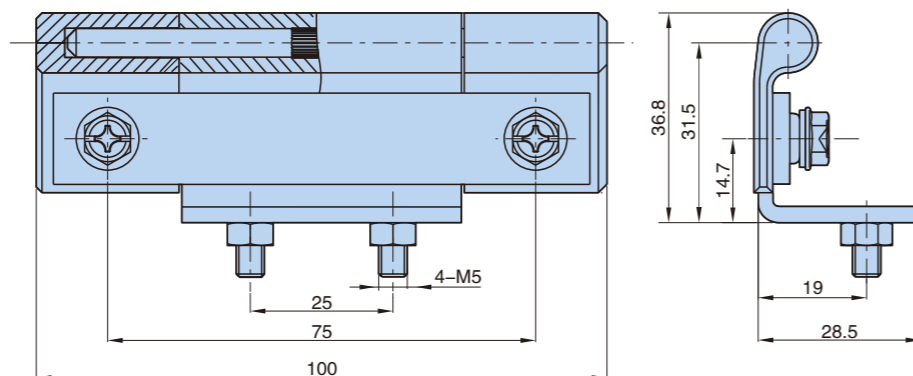


- 材质: 锌合金动、静铰链, 分不锈钢和镀镍钢销子
- 表面处理: 喷无光黑
- 备注: 转动约180°
- Material: Zinc die-casting hinge, stainless steel and nickel plating steel pin are available
- Finish: Black powder coated
- Remark: 180° hinge

型号 Product no.	产品单重(g) Weight	装箱数 Lot
HL062	57	500

HL123

侧边安装外露式铰链 Side prominent Hinge



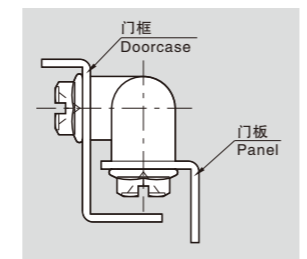
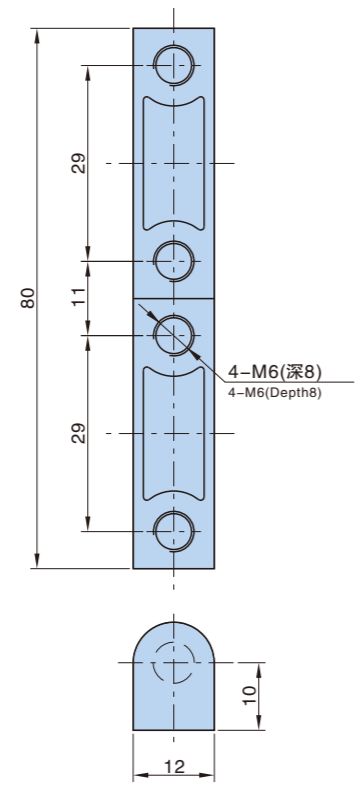
- 材质: 锌合金静铰链, A3动铰链, 销子安装板。
- 表面处理: 喷无光黑
- 备注: 转角约为180°
- Material: zinc alloy hinge steel pin and mounting panel
- Finish: black powder cauted
- Remark: 180° hinge

型号 Product no.	产品单重(g) Weight	装箱数 Lot
HL123	175	200

备注:

HL005

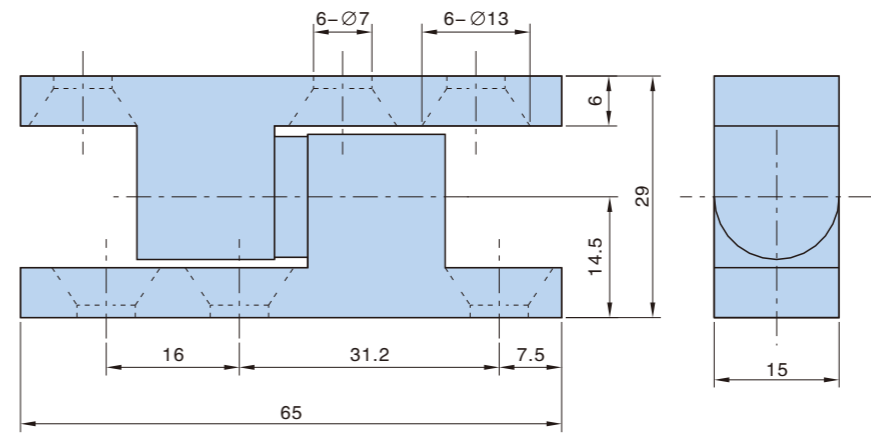
可拆卸式外露铰链 Detachable Exposed Hinge



- 材质: 锌合金动、静铰链, 分不锈钢和镀镍钢销子
- 表面处理: 喷无光黑
- 备注: 转动约180°
- Material: Zinc die-casting hinge, stainless steel and nickel plating steel pin are available
- Finish: Black powder coated
- Remark: 180° hinge

型号 Product no.	产品单重(g) Weight	装箱数 Lot
HL005	73	400

可拆卸式外露铰链 Detachable Exposed Hinge

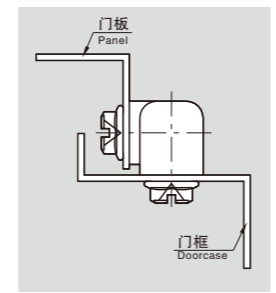
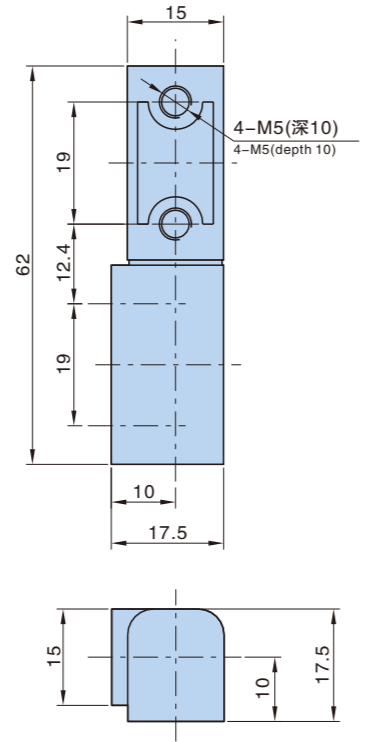


型号 Product no.	产品单重(g) Weight	装箱数 Lot
HL022	106	300

- 材质: 锌合金动、静铰链, 分不锈钢和镀镍钢销子
- 表面处理: 喷无光黑
- 备注: 转动约180°
- Material: Zinc die-casting hinge, stainless steel and nickel plating steel pin are available
- Finish: Black powder coated
- Remark: 180° hinge

HL018-1

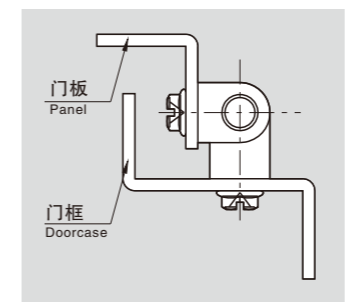
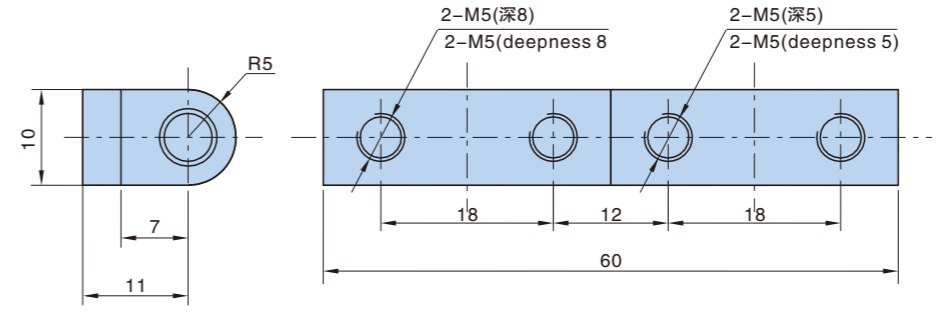
可拆卸式外露铰链 Detachable Exposed Hinge



- 材质: 锌合金动静铰链
- 表面处理: 喷无光黑
- 备注: 转动约180°
- Material: Zinc die-casting hinge
- Finish: Black powder coated
- Remark: 180° hinge

型号 Product no.	产品单重(g) Weight	装箱数 Lot
HL018-1	70.5	400

可拆卸式外露铰链 Detachable Exposed Hinge



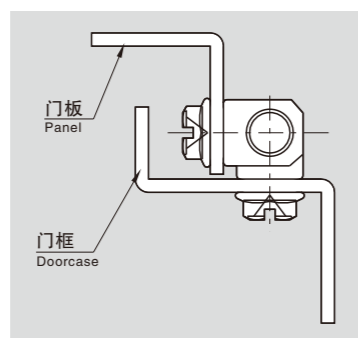
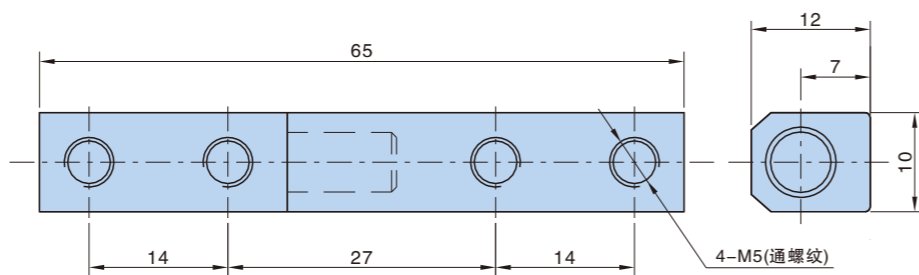
型号 Product no.	产品单重(g) Weight	装箱数 Lot
HL027	47.5	500



- 材质: 锌合金动、静铰链, 分不锈钢和镀镍钢销子
- 表面处理: 镀铬
- 备注: 转动约180°
- Material: Zinc die-casting hinge, stainless steel and nickel plating steel pin are available
- Finish: Bright chrome plating
- Remark: 180° hinge

HL028

可拆卸式外露铰链 Detachable Exposed Hinge

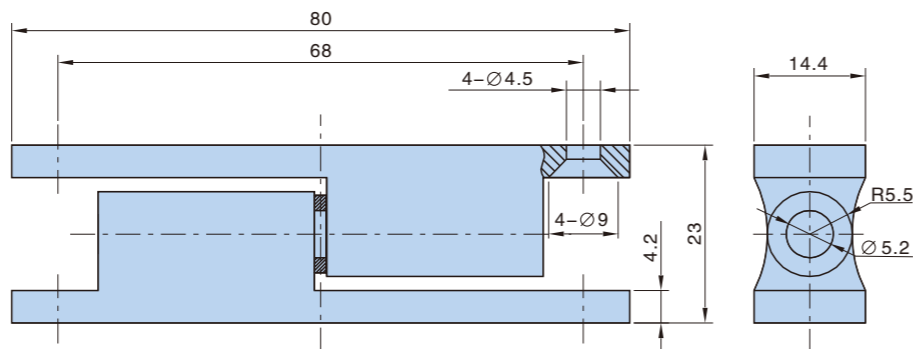


- 材质: 锌合金动、静铰链, 分不锈钢和镀镍钢销子
- 表面处理: 镀亮铬
- 备注: 转动约180°
- Material: Zinc die-casting hinge, stainless steel and nickel plating steel pin are available
- Finish: Bright chrome plating
- Remark: 180° hinge.

型号 Product no.	产品单重(g) Weight	装箱数 Lot
HL028	43.5	500

HL032

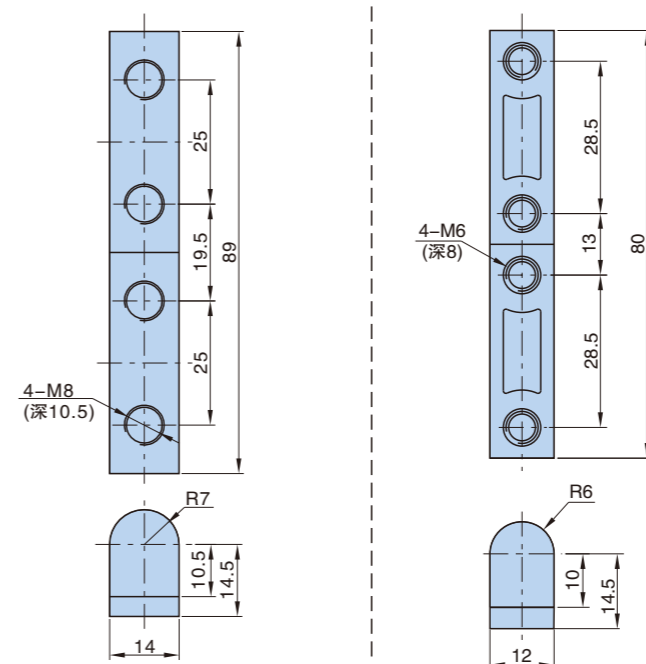
可拆卸式外露铰链 Detachable Exposed Hinge



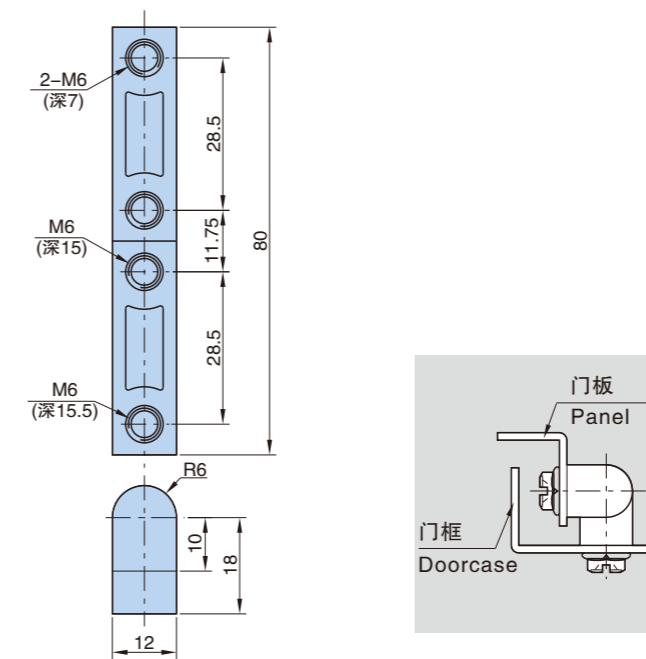
- 材质: 锌合金动、静铰链, 分不锈钢和镀镍钢销子
- 表面处理: 镀亮铬
- 备注: 转动约180°
- Material: Zinc die-casting hinge, stainless steel and nickel plating steel pin are available
- Finish: Bright chrome plating
- Remark: 180° hinge

型号 Product no.	产品单重(g) Weight	装箱数 Lot
HL032	97	300

可拆卸式外露铰链 Detachable Exposed Hinge



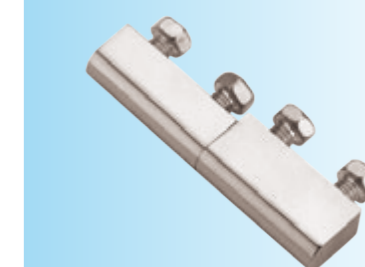
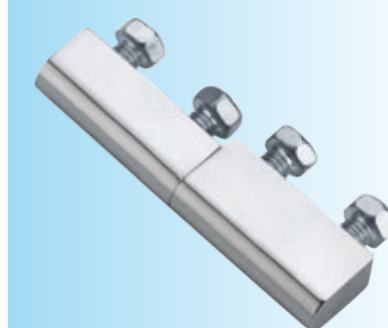
HL030-1 HL030-2



HL030-3

型号 Product no.	产品单重(g) Weight	装箱数 Lot
HL030-1	163.5	150
HL030-2	155	200
HL030-2S(不锈钢)		200
HL030-3	175	200

HL030



- 材质: 锌合金动、静铰链, 分不锈钢和镀镍钢销子
- 表面处理: 镀亮铬
- 备注: 转动约180°
- Material: Zinc die-casting hinge, stainless steel and nickel plating steel pin are available
- Finish: Bright chrome plating
- Remark: 180° hinge

HL057

可拆卸式外露铰链 Detachable Exposed Hinge



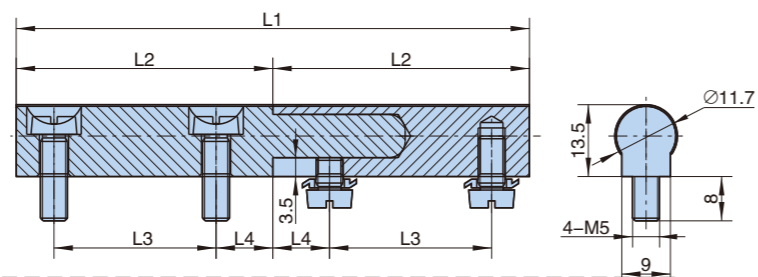
HL057-1



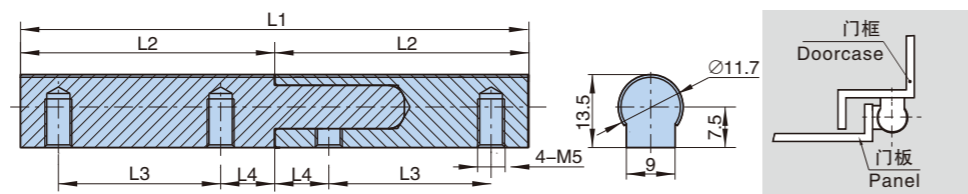
HL057-1A

- 材质: 镀锌钢铰链表面包不锈钢;
- 备注: 转动约为180°。
- Material: Zinc plating steel body with stainless steel cover.
- Remark: 180° hinge.

HL057-1/2

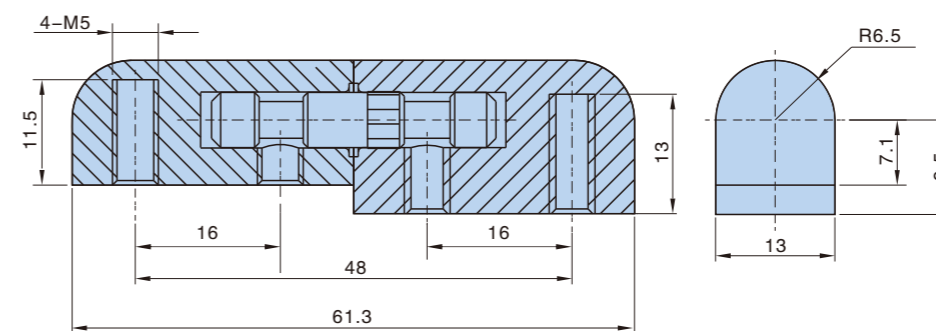


HL057-1A



基本尺寸 Dimensions				产品型号及特性 Product Number	产品单重(g) Weight	装箱数 Lot
L1	L2	L3	L4	表面包不锈钢 stainless steel cover		
95	47	30	10.5	HL057-1	85	300
95	47	30	10.5	HL057-1A	85	300

可拆卸式外露铰链 Detachable Exposed Hinge



型号 Product no.	产品单重(g) Weight	装箱数 Lot
HL066-1	59	500



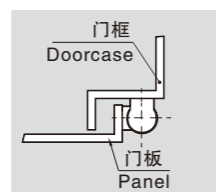
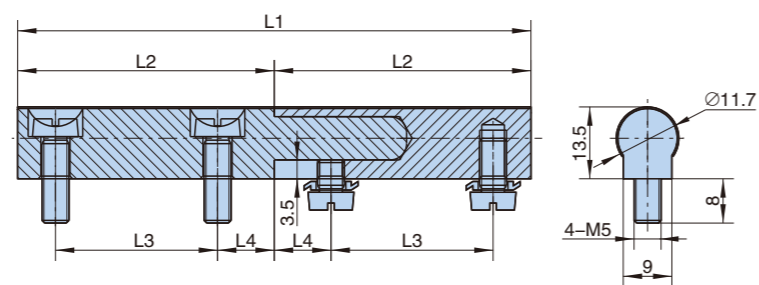
- 材质: 锌合金动、静铰链, 分不锈钢和镀镍钢销子
- 表面处理: 镀亮铬
- 备注: 转动约180°
- Material: Zinc die-casting hinge, stainless steel and nickel plating steel pin are available
- Finish: Bright chrome plating
- Remark: 180° hinge

HL057-2

可拆卸式外露铰链 Detachable Exposed Hinge

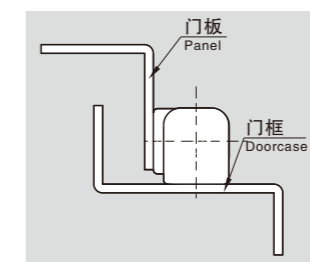
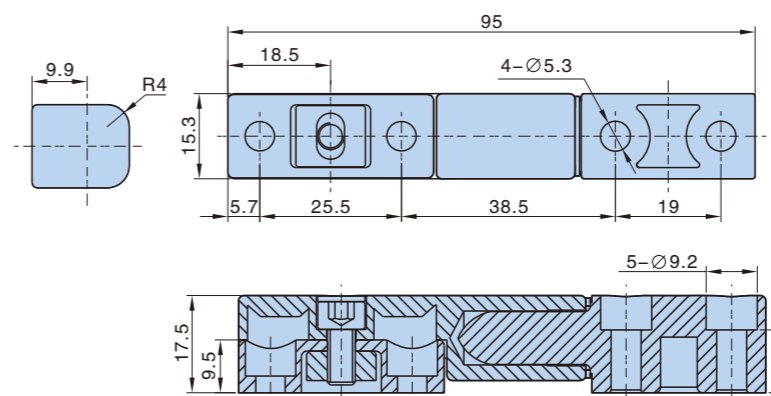


- 材质: 镀锌钢铰链表面包不锈钢;
- 备注: 转动约为180°。
- Material: Zinc plating steel body with stainless steel cover.
- Remark: 180° hinge.



基本尺寸 Dimensions				产品型号及特性 Product Number	产品单重(g) Weight	装箱数 Lot
L1	L2	L3	L4	表面包不锈钢 stainless steel cover		
55	27.5	15	6.5	HL057-2	46	300

可拆卸式外露铰链 Detachable Exposed Hinge



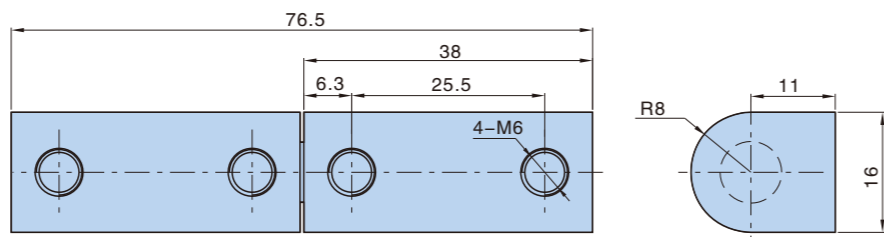
型号 Product no.	产品单重(g) Weight	装箱数 Lot
HL075-1	113.5	300



- 材质: 锌合金动、静铰链
- 表面处理: 喷无光黑
- 备注: 转动约为180°，全铸钢型号为HL075A
- Material: Zinc die-casting hinge
- Finish: Black powder coated
- Remark: 180° hinge.

HL080

可拆卸式外露铰链 Detachable Exposed Hinge

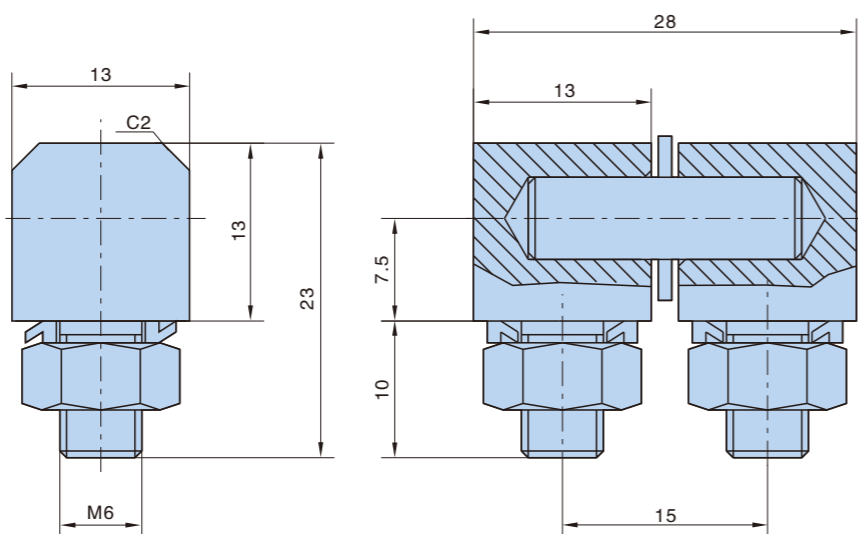


- 材质: 全不锈钢铰链
- 表面处理: 拉丝
- 备注: 转动约为180°
- Material: Stainless steel hinge
- Finish: drawing
- Remark: 180° hinge

型号 Product no.	产品单重(g) Weight	装箱数 Lot
HL080	150	500

HL085

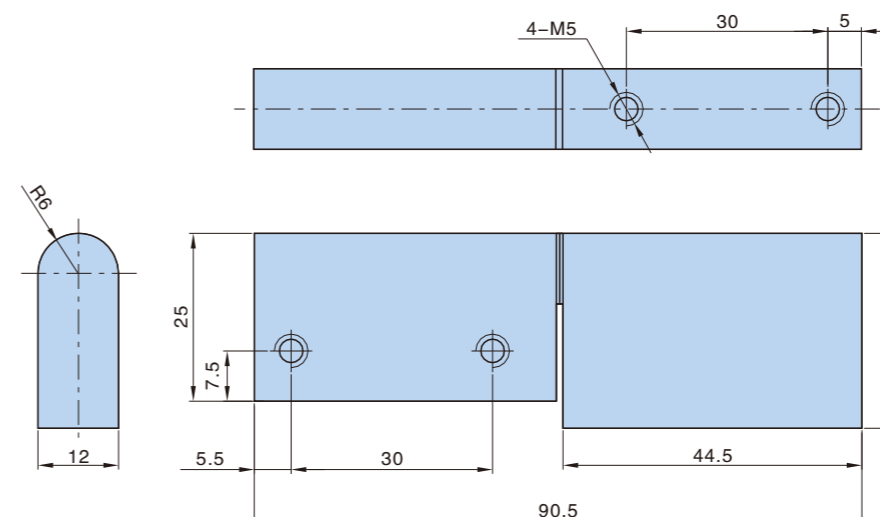
可拆卸式外露铰链 Detachable Exposed Hinge



- 材质: 镀锌钢铰链
- 表面处理: 镀蓝白锌
- 备注: 转动约180°
- Material: Zinc plating steel hinge
- Finish: white zinc plating
- Remark: 180° hinge.

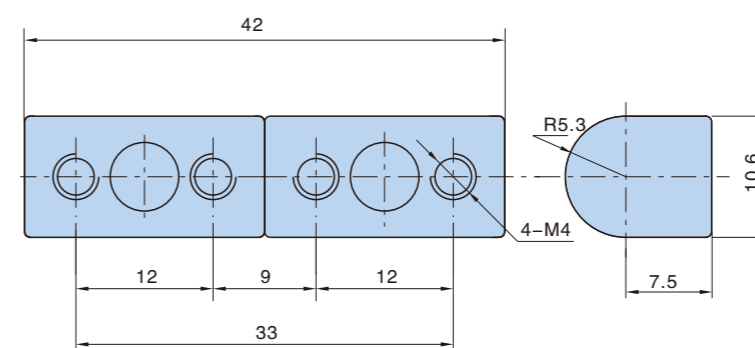
型号 Product no.	产品单重(g) Weight	装箱数 Lot
HL085	42	500

可拆卸式外露铰链 Detachable Exposed Hinge



型号 Product no.	产品单重(g) Weight	装箱数 Lot
HL097	176.5	200

可拆卸式外露铰链 Detachable Exposed Hinge



型号 Product no.	产品单重(g) Weight	装箱数 Lot
HL107-2	33	300

HL097



- 材质: 锌合金动、静铰链, 分不锈钢和镀镍钢销子
- 表面处理: 喷无光黑
- 备注: 转动约180°
- Material: Zinc die-casting hinge, stainless steel and nickel plating steel pin are available
- Finish: Black powder coated
- Remark: 180° hinge.

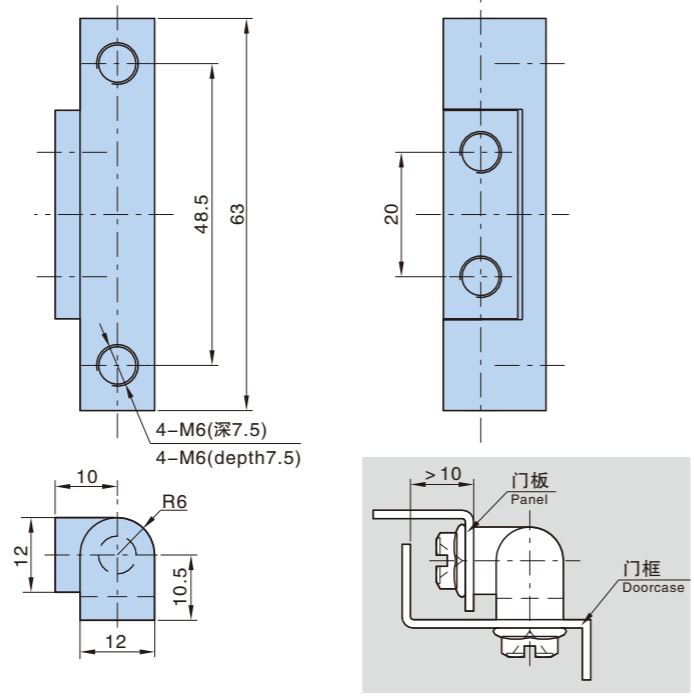
HL107-2



- 材质: 锌合金动、静铰链, 镀锌钢销子
- 表面处理: 喷沙纹黑
- 备注: 转动约180°
- Material: Zinc die-casting hinge, zinc plating steel pin
- Finish: Matt black
- Remark: 180° hinge

HL012

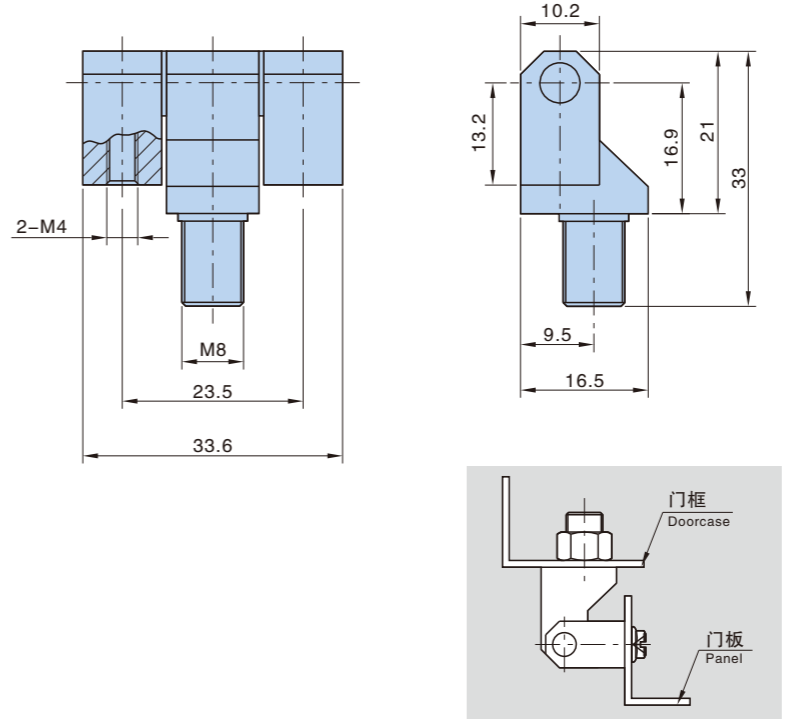
侧面安装外露式铰链 Side prominent Hinge



- 材质: 锌合金动、静铰链, 分不锈钢和镀镍钢销子
- 表面处理: 喷无光黑
- 备注: 转动约180°
- Material: Zinc die-casting hinge, stainless steel and nickel plating steel pin are available
- Finish: Black powder coated
- Remark: 180° hinge.

型号 Product no.	产品单重(g) Weight	装箱数 Lot
HL012	82	400

侧面安装外露式铰链 Side prominent Hinge



型号 Product no.	产品单重(g) Weight	装箱数 Lot
HL024	54	500

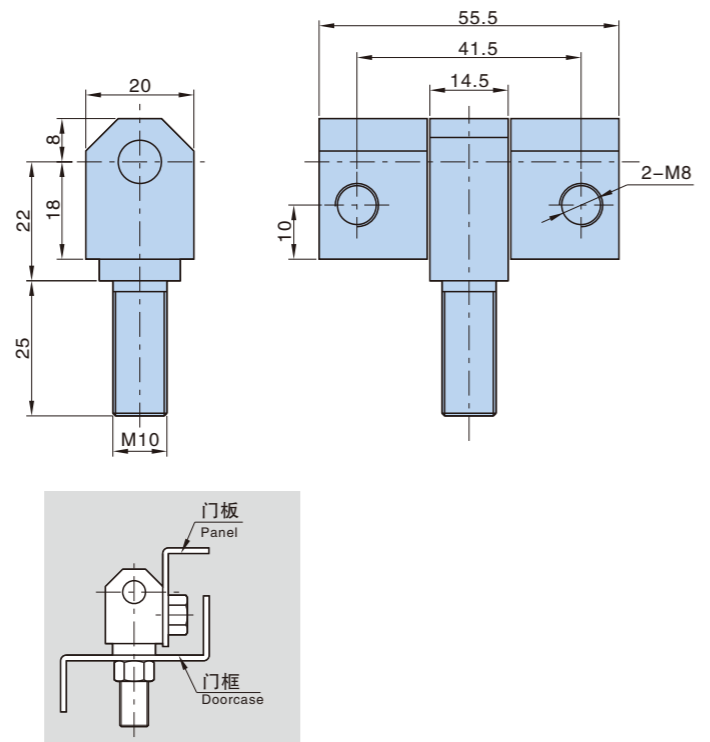
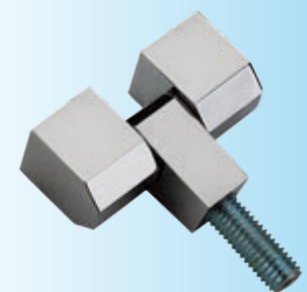
HL024



- 材质: 锌合金动、静铰链, 分不锈钢和镀镍钢销子
- 表面处理: 喷无光黑
- 备注: 转动约180°
- Material: Zinc die-casting hinge, stainless steel and nickel plating steel pin are available
- Finish: Black powder coated
- Remark: 180° hinge

HL020

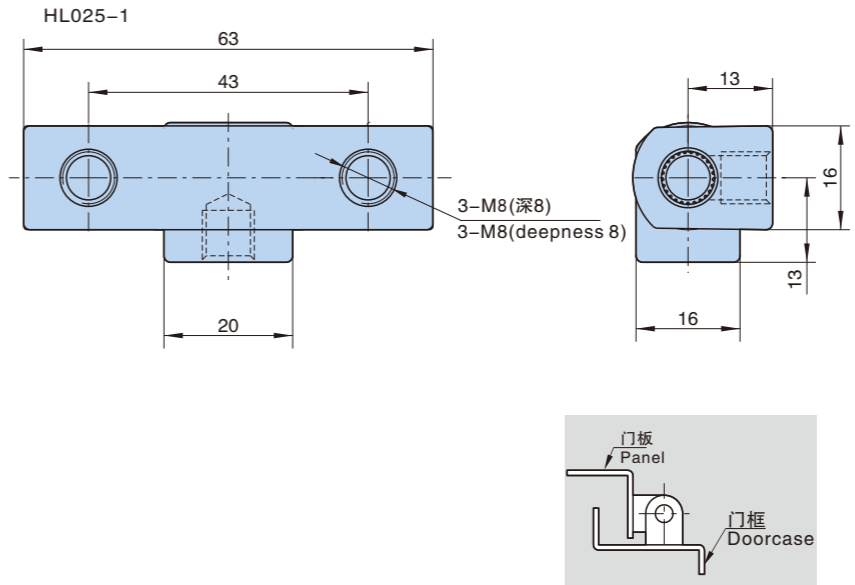
侧面安装外露式铰链 Side prominent Hinge



- 材质: 锌合金动、静铰链, 分不锈钢和镀镍钢销子
- 表面处理: 镀亮铬
- 备注: 转动约270°
- Material: Zinc die-casting hinge, stainless steel and nickel plating steel pin are available
- Finish: Bright chrome plating
- Remark: 270° hinge

型号 Product no.	产品单重(g) Weight	装箱数 Lot
HL020	165.5	200

侧面安装外露式铰链 Side prominent Hinge



产品型号及特性 Product Number					
镀沙铬 Gray chrome plating	产品 单重(g) Weight	装箱数 Lot	喷无光黑 Black powder coated	产品 单重(g) Weight	装箱数 Lot
HL025-1.2	127.5	300	HL025-1.3	127.5	300

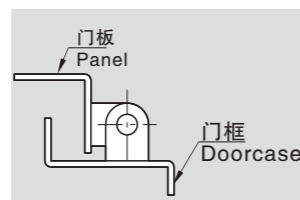
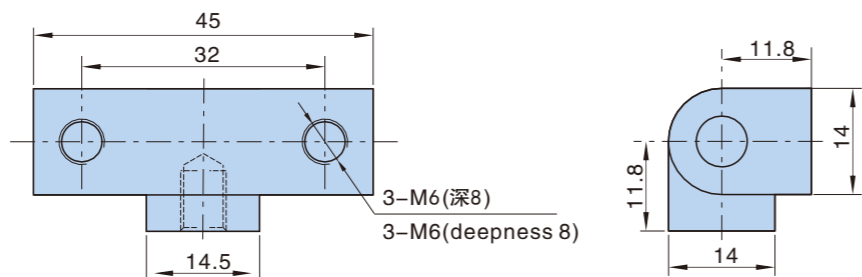
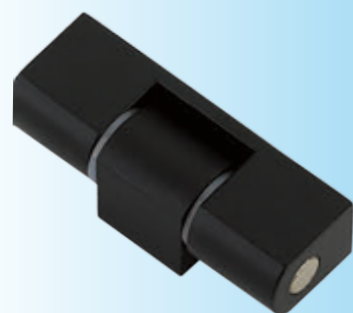
HL025-1



- 材质: 锌合金动、静铰链, 分不锈钢和镀镍钢销子, 塑料垫圈
- 备注: 转动约180°
- Material: Zinc die-casting hinge, stainless steel and nickel plating steel pin are available, plastic washer.
- Remark: 180° hinge

HL025-2

侧面安装外露式铰链 Side prominent Hinge

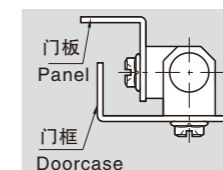
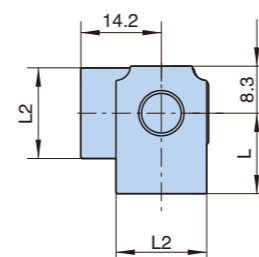
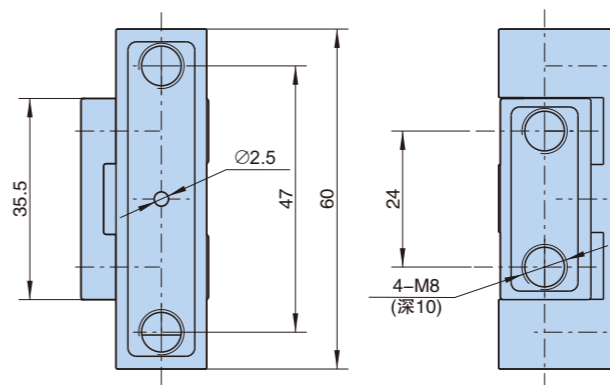


- 材质: 锌合金动、静铰链, 分不锈钢和镀镍钢销子, 塑料垫圈
- 备注: 转动约180°
- Material: Zinc die-casting hinge, stainless steel and nickel plating steel pin are available, plastic washer.
- Remark: 180° hinge

产品型号及特性 Product Number

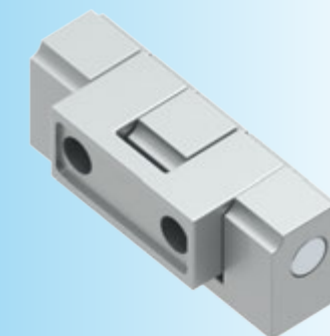
镀沙铬 Gray chrome plating	产品 单重(g) Weight	装箱数 Lot	喷无光黑 Black powder coated	产品 单重(g) Weight	装箱数 Lot
HL025-2.2	68.5	400	HL025-2.3	68.5	400

侧面安装外露式铰链 Side prominent Hinge



基本尺寸 Dimensions		产品型号及特性 Product Number	产品单重(g) Weight	装箱数 Lot
L1	L2			
14.2	16	HL029-3		

HL029-3



- 材质: 锌合金动、静铰链, 分不锈钢和镀镍钢销子
- 表面处理: 镀亮铬
- 备注: 转动约180°
- Material: Zinc die-casting hinge, stainless steel and nickel plating steel pin are available
- Finish: Bright chrome plating
- Remark: 180° hinge

HL029

侧面安装外露式铰链 Side prominent Hinge

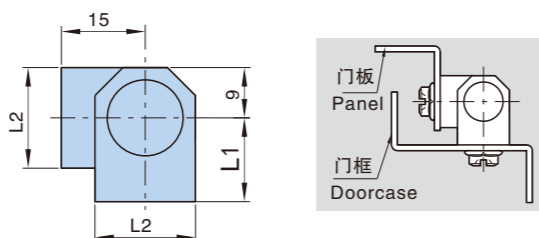
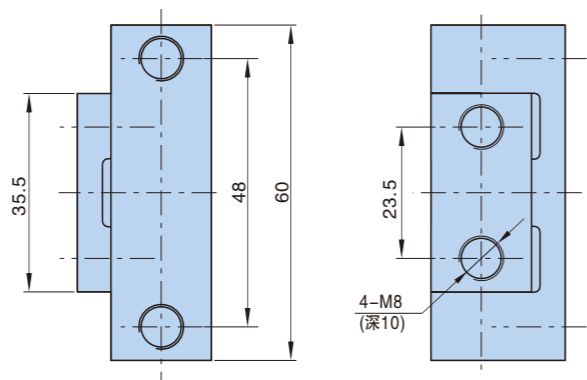


HL029-1



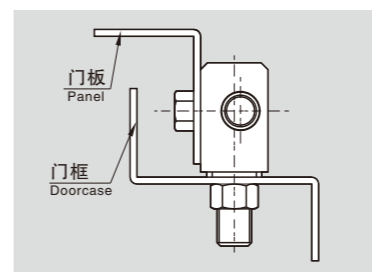
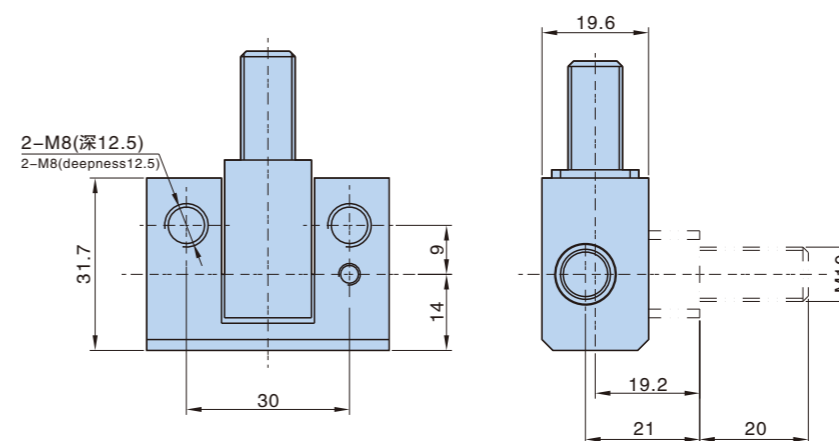
HL029-2

- 材质: 锌合金动、静铰链, 分不锈钢和镀镍钢销子
- 表面处理: 镀亮铬
- 备注: 转动约180°
- Material: Zinc die-casting hinge, stainless steel and nickel plating steel pin are available
- Finish: Bright chrome plating
- Remark: 180° hinge



基本尺寸 Dimensions		产品型号及特性 Product Number	产品单重(g) Weight	装箱数 Lot
L1	L2			
20	19.8	HL029-1	228	150
15	18	HL029-2	170	150

侧面安装外露式铰链 Side prominent Hinge



型号 Product no.	产品单重(g) Weight	装箱数 Lot
HL039	116.5	200

HL039



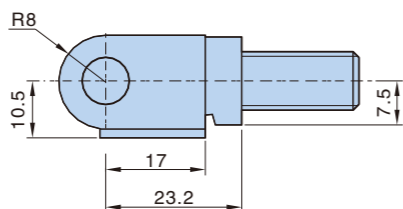
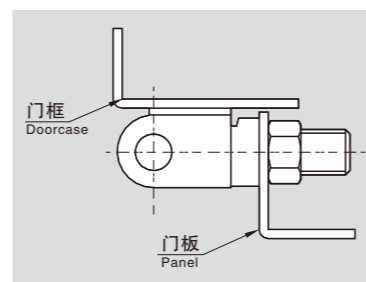
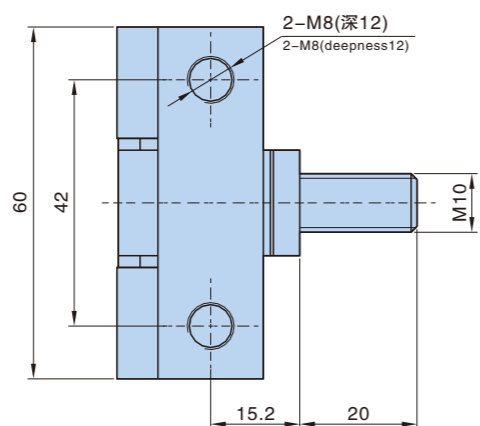
- 材质: 锌合金动、静铰链, 分不锈钢和镀镍钢销子及镶嵌螺钉
- 表面处理: 镀亮铬
- 备注: 转动约180°
- Material: Zinc die-casting hinge, stainless steel and nickel plating steel pin are available
- Finish: Bright chrome plating
- Remark: 180° hinge.

HL061

侧面安装外露式铰链 Side prominent Hinge



- 材质: 锌合金动、静铰链, 分不锈钢和镀镍钢销子\
- 表面处理: 镀亮铬
- 备注: 转动约180°
- Material: Zinc die-casting hinge, stainless steel and nickel plating steel pin are available
- Finish: Bright chrome plating
- Remark: 180° hinge.



产品型号及特性 Product Number		产品单重(g) Weight	装箱数 Lot
右铰链 Right hinge	HL061R	164	200
左铰链 left hinge	HL061L	164	200

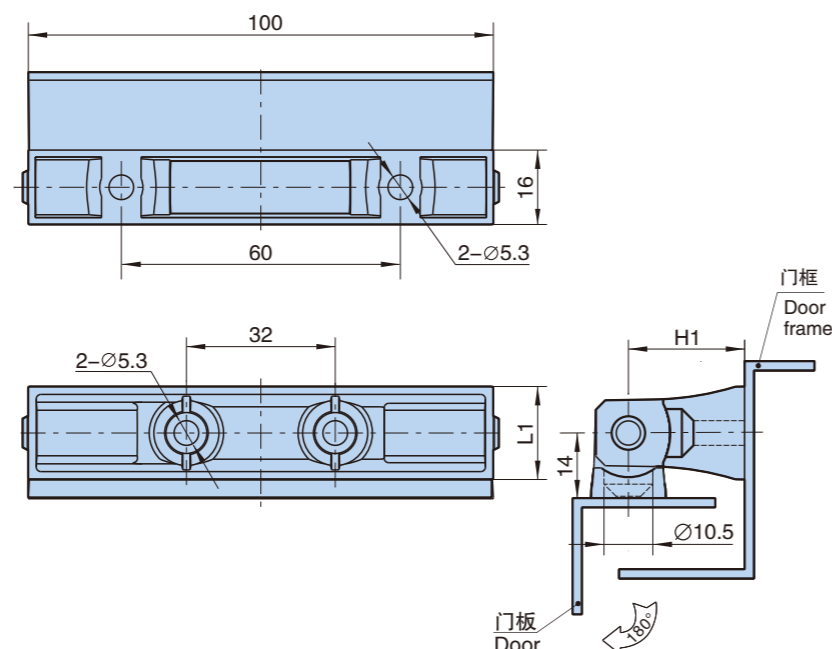
HL126

侧面安装外露式铰链 Side prominent Hinge



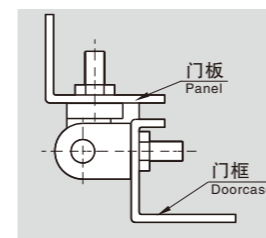
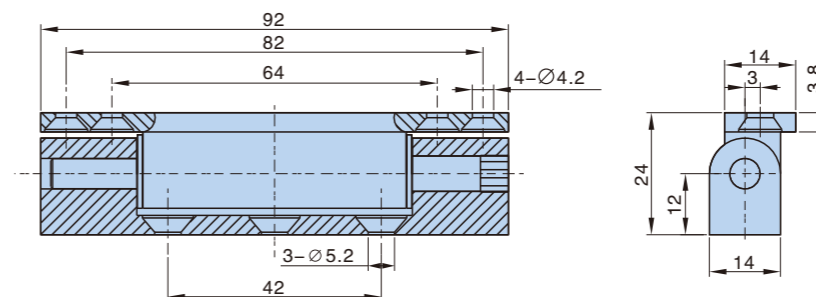
HL126-1 HL126-2

- 材质: 锌合金铰链, 镀锌钢销子
- 表面处理: 镀亮铬
- 备注: 转动约180°
- Material: Zinc die-casting hinge, Zinc plating steel pin;
- Finish: Bright chrome plated
- Remark: 180° hinge



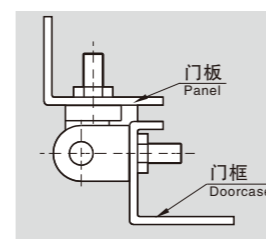
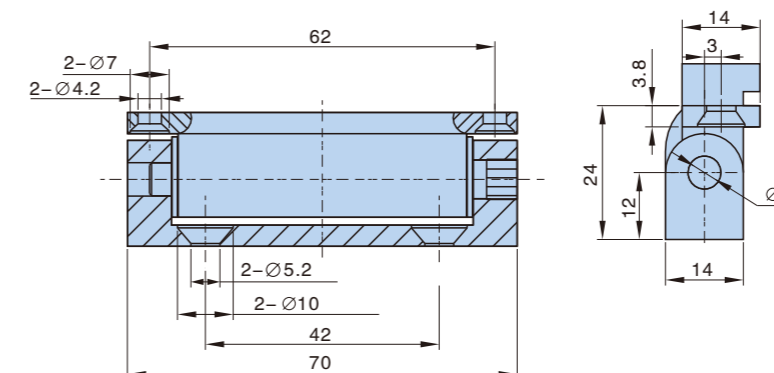
型号 Product no.	基本尺寸 Dimensions		产品单重(g) Weight	装箱数 Lot
	H1	L1		
HL126-1	25	20	182.5	50
HL126-2	18	18	195.3	100

侧面安装外露式铰链 Side mounting exposed hinge



型号 Product no.	产品单重(g) Weight	装箱数 Lot
HL064-1	163	200

侧面安装外露式铰链 Side prominent Hinge



型号 Product no.	产品单重(g) Weight	装箱数 Lot
HL064-2	122	300

HL064-1



- 材质: 锌合金动、静铰链, 分不锈钢和镀镍钢销子
- 表面处理: 镀沙铬
- 备注: 转动约180°
- Material: Zinc die-casting hinge, stainless steel and nickel plating steel pin are available
- Finish: Gray chrome plating
- Remark: 180° hinge

HL064-2



- 材质: 锌合金动、静铰链, 分不锈钢和镀镍钢销子
- 表面处理: 镀沙铬
- 备注: 转动约180°
- Material: Zinc die-casting hinge, stainless steel and nickel plating steel pin are available
- Finish: Gray chrome plating
- Remark: 180° hinge

HL103

侧面安装外露式铰链 Side prominent Hinge

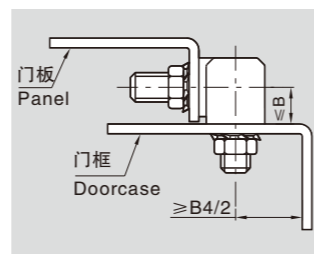
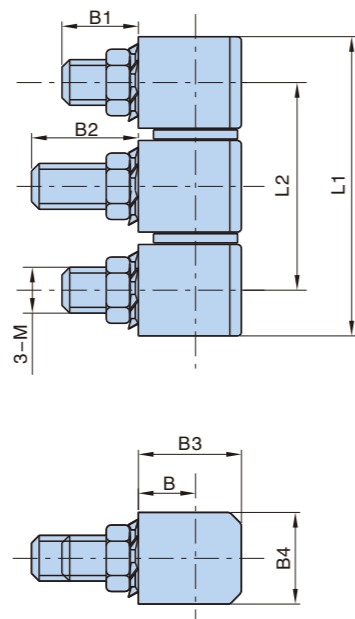


HL103-1



HL103-2

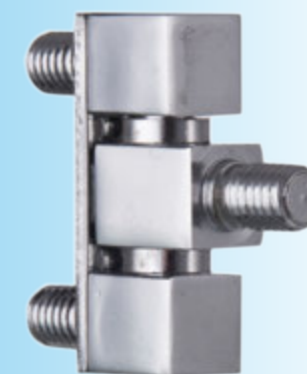
- 材质: 不锈钢
- 表面处理: 拉丝
- 备注: 转动约180°
- Material: Mirror surface stainless steel body
- Finish: drawing
- Remark: 180° hinge



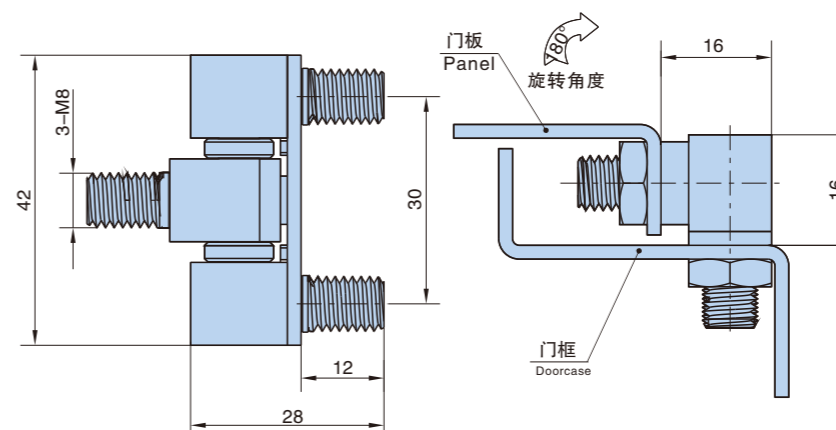
产品型号及特性 Product Number	基本尺寸 Dimensions								产品单重(g) Weight	装箱数 Lot
	L1	L2	B	B1	B2	B3	B4	M		
HL103-1	49	33	10	14	22	18	16	8	135	200
HL103-2	39	27	7.5	10	14	13.5	12	6	120	200

侧面安装外露式铰链 Side prominent Hinge

HL132



- 材质: 镀锌钢铰链
- 表面处理: 镀亮铬
- 备注: 旋转约180°
- Material: Zinc plating steel hinge
- Finish: Bright chrome plating
- Remark: 180° hinge.



型号 Product no.	产品单重(g) Weight	装箱数 Lot
HL132	70	100

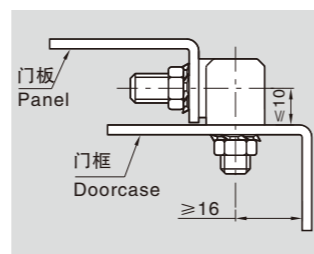
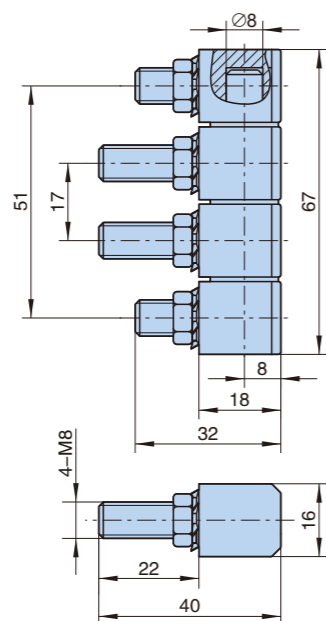
HL103-1A

侧面安装外露式铰链 Side prominent Hinge



HL103-1A

- 材质: 不锈钢
- 表面处理: 拉丝
- 备注: 转动约180°
- Material: Mirror surface stainless steel body
- Finish: drawing
- Remark: 180° hinge



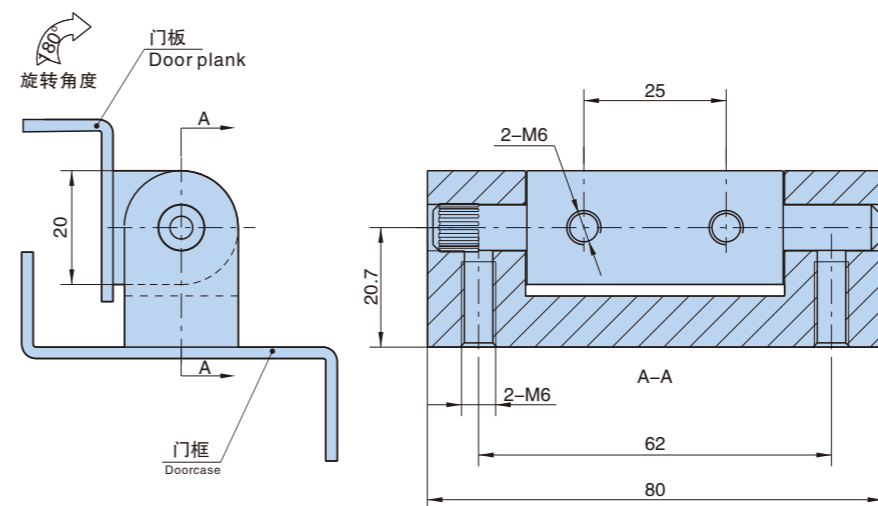
型号 Product no.	产品单重(g) Weight	装箱数 Lot
HL103-1A	183	200

侧面安装外露式铰链 Side prominent Hinge

HL134



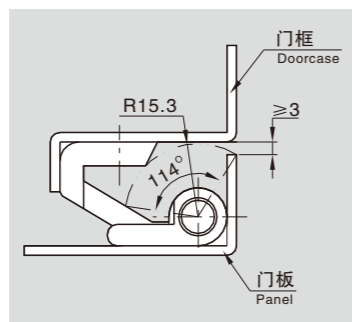
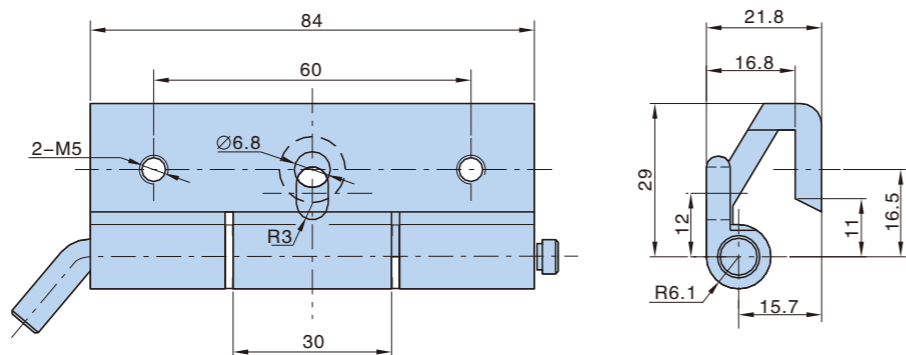
- 材质: 铝合金动、静铰链, A3销子
- 表面处理: 喷无光黑
- 备注: 可开启角度180°
- Material: aluminium alloy hinge
- Finish: Black powder coated
- Remark: 180° hinge



型号 Product no.	产品单重(g) Weight	装箱数 Lot
HL134	136	100

HL010

隐藏式铰链 Concealed Hinge



- 材质: 锌合金动、静铰链, 分不锈钢和镀镍钢销子
- 表面处理: 喷无光黑
- 备注: 转动约110°
- Material: Zinc die-casting hinge, stainless steel and nickel plating steel pin are available
- Finish: Black powder coated
- Remark: 110° hinge.

型号 Product no.	产品单重(g) Weight	装箱数 Lot
HL010	188	150

HL011

隐藏式铰链 Concealed Hinge

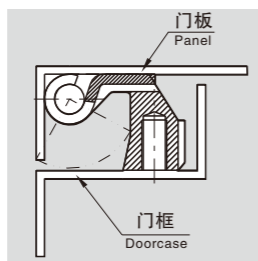
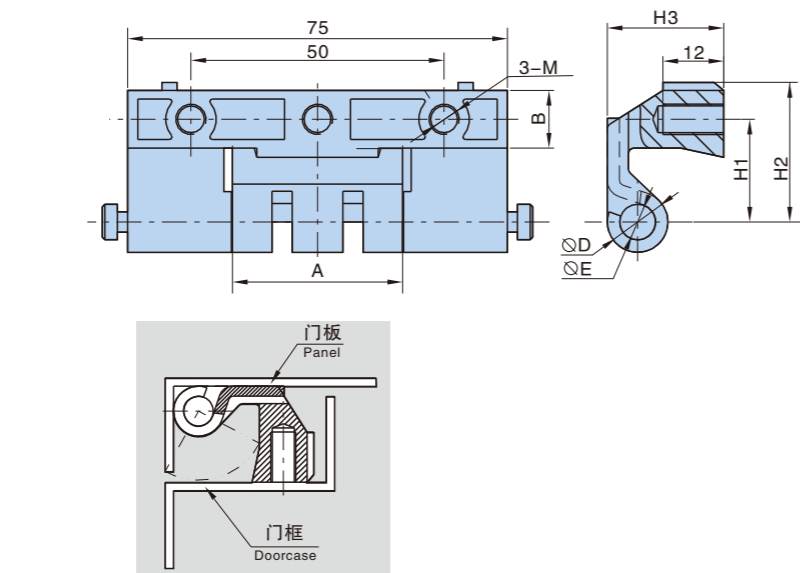


HL011-1



HL011-1A HL011-2

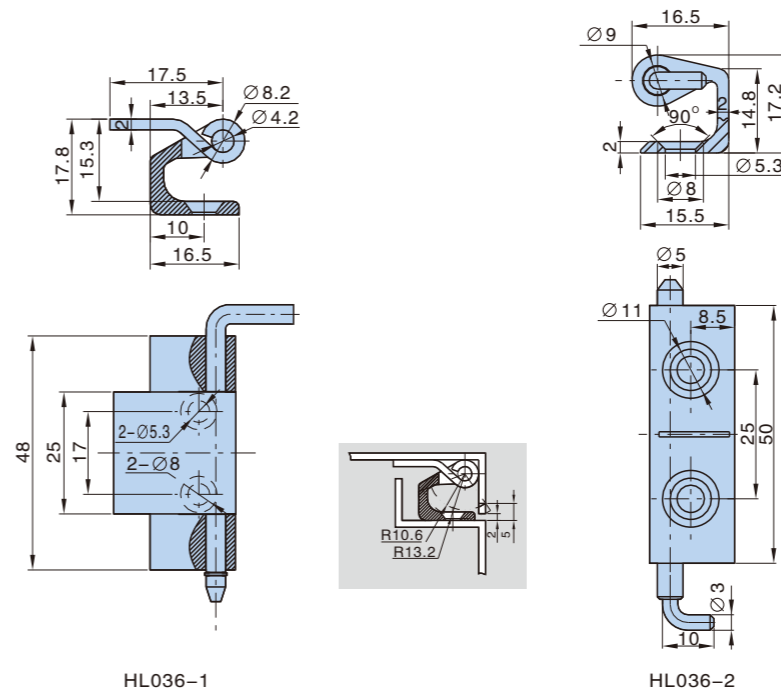
- 材质: 锌合金静铰链, 镀锌钢板动铰链, 镀镍钢销子
- 备注: 转动约90°
- Material: Zinc die-casting fixed hinge, Zinc plating moving hinge, nickel plating steel pin are available.
- Remark: 90° hinge



基本尺寸 Dimensions								产品型号及特性 Product Number			
A	B	H1	H2	H3	M	ØD	ØE	喷无光黑 Black powder coated	喷灰色漆 Gray paint sprayed	产品单重(g) Weight	装箱数 Lot
33.6	11	20.5	28	23.5	6	12	7	HL011-1.3	HL011-1.8	153	200
33.6	11	20	25.5	20.5	6	12	7	HL011-1A.3	HL011-1A.8	142	200
32	8	16.5	20.5	18	4	9	5	HL011-2.3	HL011-2.8	102	300

G071

隐藏式铰链 Concealed Hinge



产品型号及特性 Product Number					
喷无光黑 Black powder coated	产品单重(g) Weight	装箱数 Lot	镀沙铬 Gray chrome plating	产品单重(g) Weight	装箱数 Lot
HL036-1.3	51.5	400	HL036-1.2	51.5	400
HL036-2.3	43	400	HL036-2.2	43	400

型号 Product no.	产品单重(g) Weight	装箱数 Lot
HL078	46	500

HL036



HL036-1 HL036-2

- 材质: 锌合金静铰链, 镀锌钢动铰链, 分不锈钢和镀镍钢销子
- 备注: 转动约180°
- Material: Zinc die-casting hinge, stainless steel and nickel plating steel pin are available.
- Remark: 180° hinge

HL078

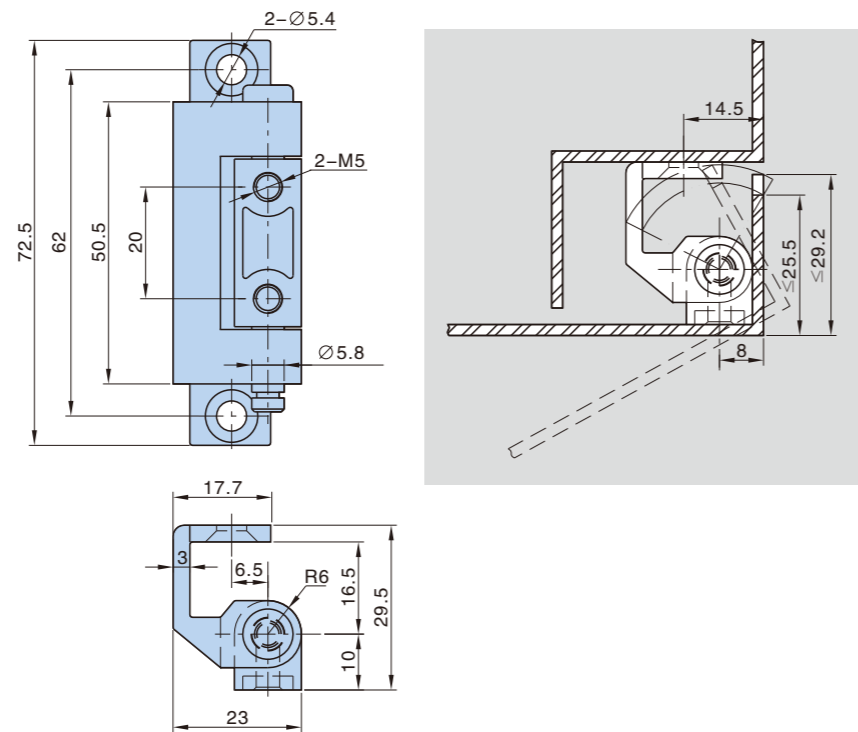


- 材质: 锌合金静铰链, 镀锌钢动铰链, 销子
- 表面处理: 镀亮铬
- 备注: 暗铰链, 左右开门通用, 门板转动约为90°至100°
- Material: Zinc die-casting hinge
- Finish: Bright chrome plating
- Remark: rotate angle 90° ~100° hinge, both left and right use

G072

HL090

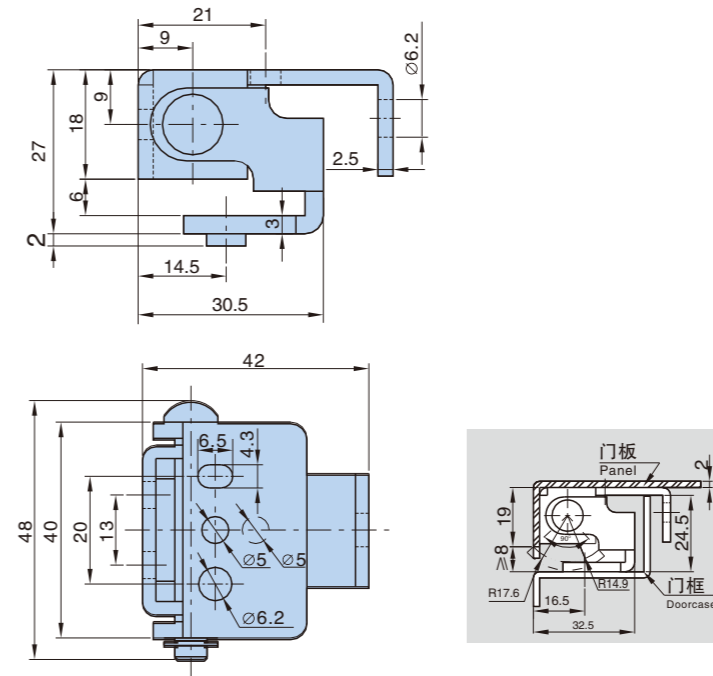
隐藏式铰链 Concealed Hinge



- 材质: 锌合金动、静铰链, 镀镍钢销子
- 表面处理: 喷无光黑
- 备注: 转动约100°
- Material: Zinc die-casting hinge nickel plating steel pin
- Finish: Black powder coated
- Remark: 100° hinge.

型号 Product no.	产品单重(g) Weight	装箱数 Lot
HL090	106	200

隐藏式铰链 Concealed Hinge



型号 Product no.	产品单重(g) Weight	装箱数 Lot
HL007-1	90	200

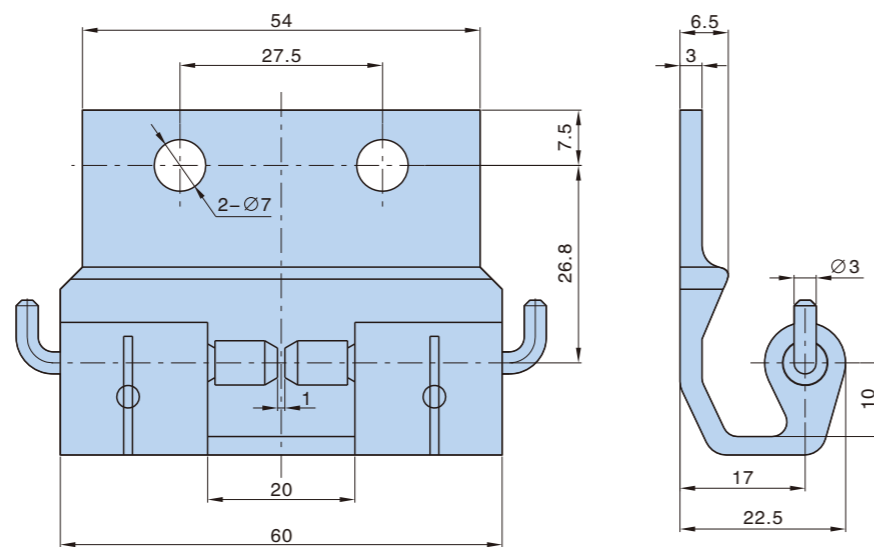
HL007-1



- 材质: 镀锌钢板铰链
- 表面处理: 镀蓝白锌
- 备注: 转动约为90°
- Material: Zinc plating steel hinge
- Finish: white zinc plating
- Remark: 90° hinge

HL095

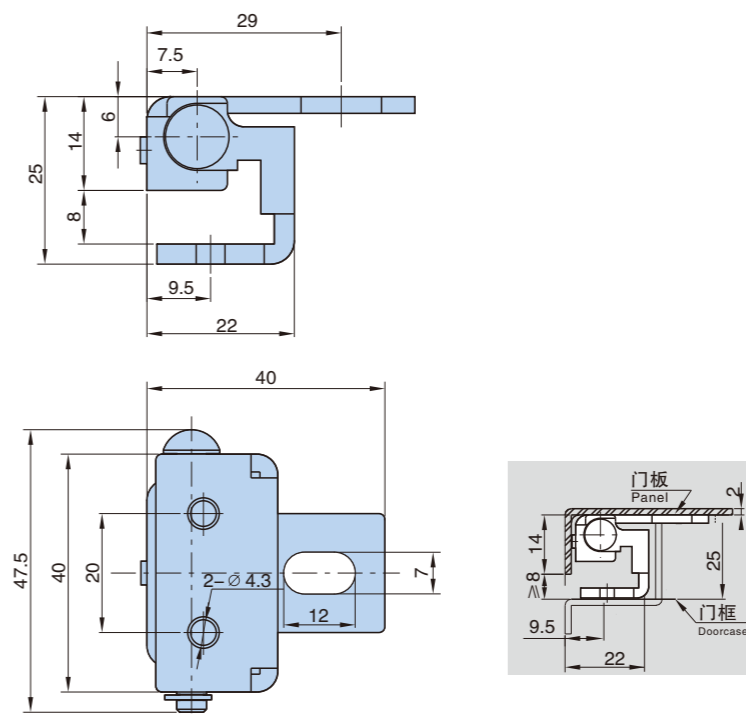
隐藏式铰链 Concealed Hinge



- 材质: 锌合金静铰链, 分不锈钢和镀镍钢销子
- 表面处理: 喷无光黑
- 备注: 转动约180°
- Material: Zinc die-casting fixed hinge, stainless steel and nickel plating steel pin are available
- Finish: Black powder coated
- Remark: 180° hinge

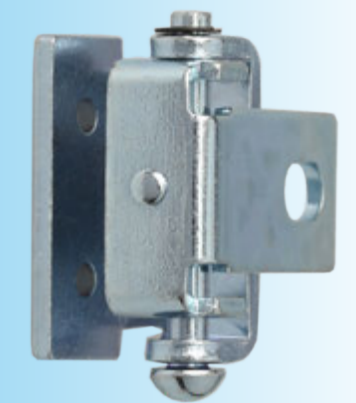
型号 Product no.	产品单重(g) Weight	装箱数 Lot
HL095	105	200

隐藏式铰链 Concealed Hinge



型号 Product no.	产品单重(g) Weight	装箱数 Lot
HL007-2	66.5	200

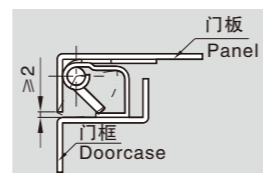
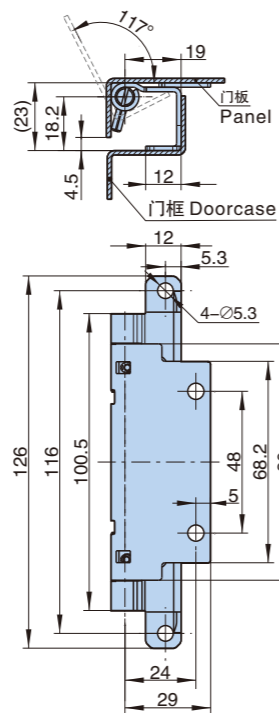
HL007-2



- 材质: 镀锌钢板铰链
- 表面处理: 镀蓝白锌
- 备注: 转动约为90°
- Material: Zinc plating steel hinge
- Finish: white zinc plating
- Remark: 90° hinge.

HL034-1

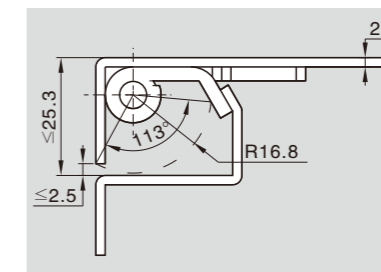
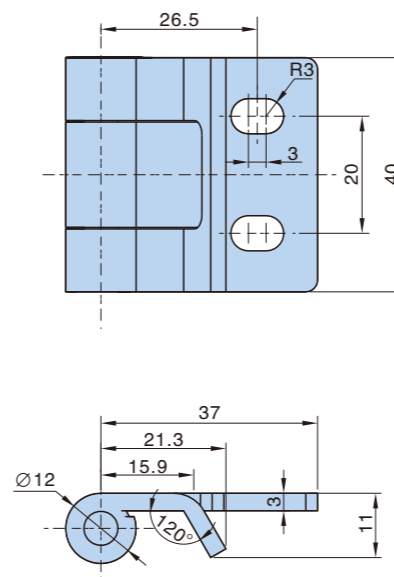
隐藏式铰链 Concealed Hinge



- 材质:分镜面不锈钢铰链,A3钢铰链
- 备注:转动约为120°
- Material:Mirror surface stainless steel body.
- Remark:120° hinge

型号 Product no.	产品单重(g) Weight	装箱数 Lot
HL034-1	110.8	200

隐藏式铰链 Concealed Hinge

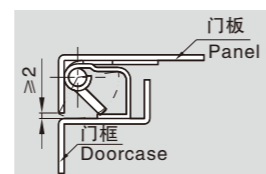
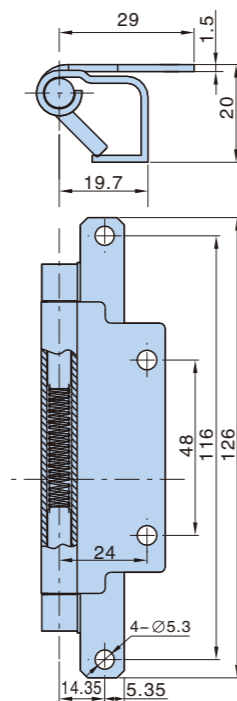


型号 Product no.	产品单重(g) Weight	装箱数 Lot
HL040	58	200

- 材质:镀锌钢板铰链
- 表面处理:镀蓝白锌
- 备注:转动约120°
- Material:Zinc plating steel hinge
- Finish: white zinc plating
- Remark:120° hinge

HL034-2

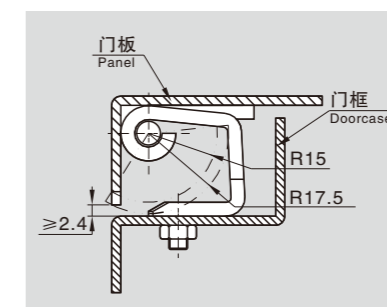
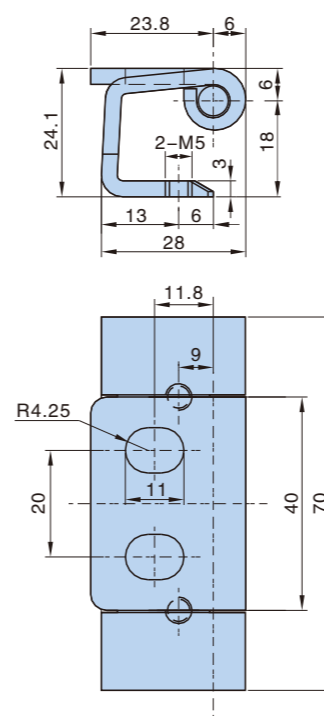
隐藏式铰链 Concealed Hinge



- 材质:分镜面不锈钢铰链,A3钢铰链
- 备注:转动约为120°
- Material:Mirror surface stainless steel body.
- Remark:120° hinge

型号 Product no.	产品单重(g) Weight	装箱数 Lot
HL034-2	107	200

隐藏式铰链 Concealed Hinge

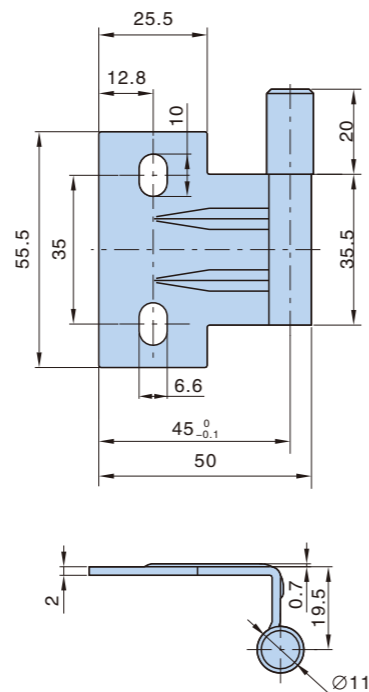


型号 Product no.	产品单重(g) Weight	装箱数 Lot
HL043	129	200

- 材质:镀锌钢板铰链,镀镍钢销子
- 表面处理:镀蓝白锌
- 备注:转动约为120°
- Material:Zinc plating steel hinge
- Finish: white zinc plating
- Remark:120° hinge

HL083-1

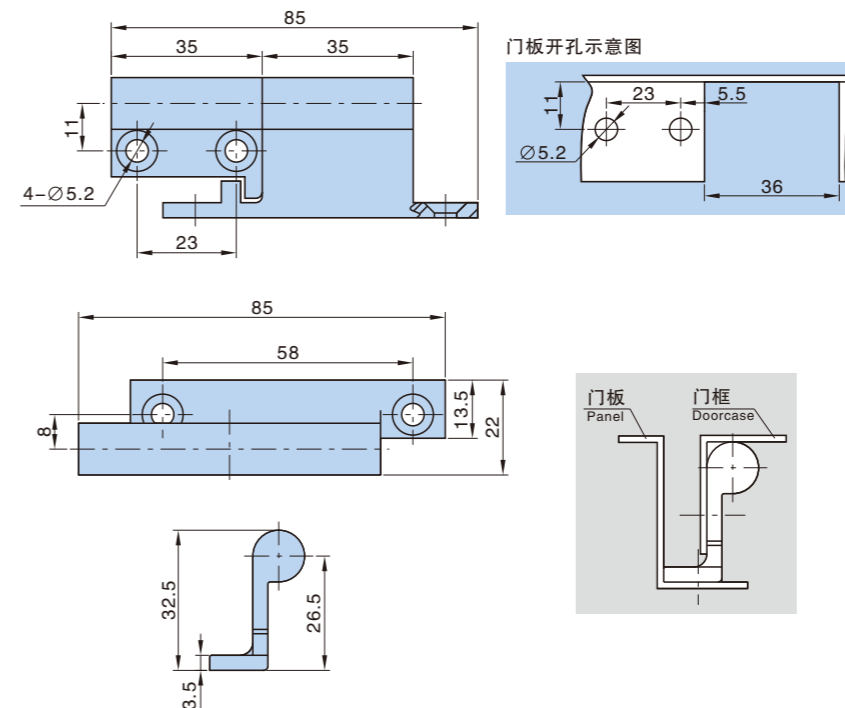
隐藏式铰链 Concealed Hinge



- 材质: 镀锌钢板铰链
- 表面处理: 镀蓝白锌
- 备注: 转动约180°
- Material: Zinc plating steel hinge
- Finish: white zinc plating
- Remark: 180° hinge

型号 Product no.	产品单重(g) Weight	装箱数 Lot
HL083-1	65	400

隐藏式铰链 Concealed Hinge



型号 Product no.	产品单重(g) Weight	装箱数 Lot
HL108	102	200

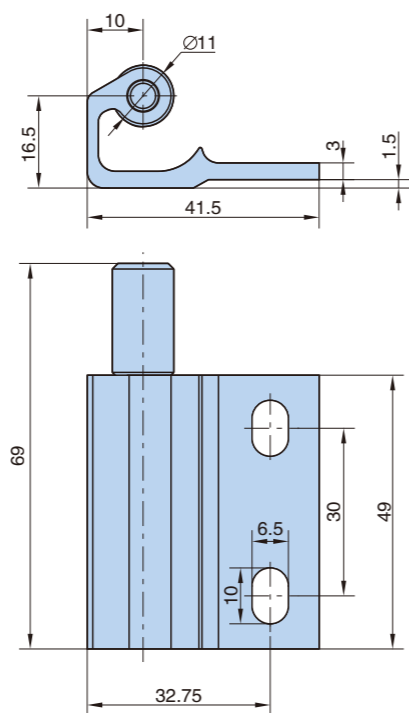
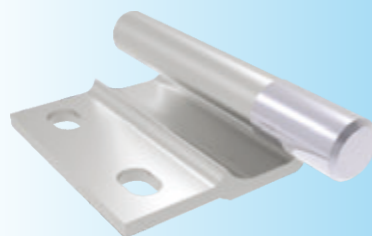
HL108



- 材质: 锌合金铰链, 分不锈钢、镀锌钢销子
- 表面处理: 镀沙铬
- 备注: 只适合右开门, 门板转动角度约为90°
- Material: Zinc hinge, stainless steel and nickel plating steel pin are available;
- Finish: Gray chrome plating
- Remark: Only for the right door, 90° hinge.

HL125

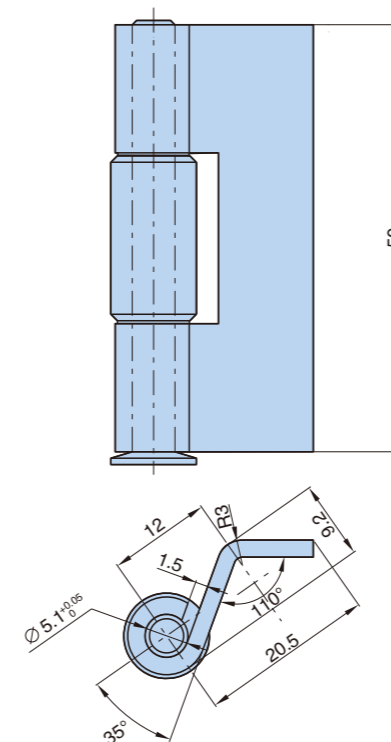
隐藏式铰链 Concealed Hinge



- 材质: 铝合金铰链, A3销子。
- 表面处理: 镀蓝白锌
- Material :aluminium alloy hinge steel pin
- Finish :white zinc plating

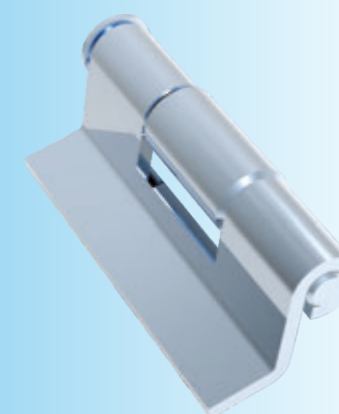
型号 Product no.	产品单重(g) Weight	装箱数 Lot
HL125	45	400

隐藏式铰链 Concealed Hinge



型号 Product no.	产品单重(g) Weight	装箱数 Lot
HL122	32	500

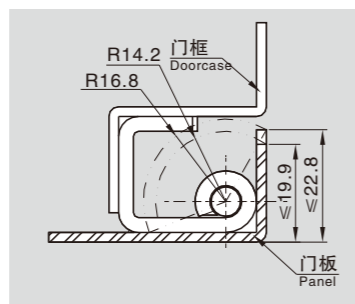
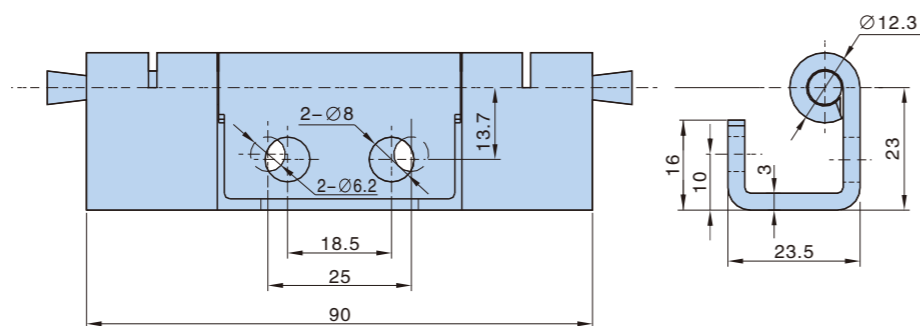
HL122



- 材质: 镀蓝白锌钢板
- 表面处理: 镀蓝白锌
- 备注: 转动约为180°。
- Material : white zinc plating steel hinge
- Finish: white zinc plating
- Remark : 180° hinge

HL048

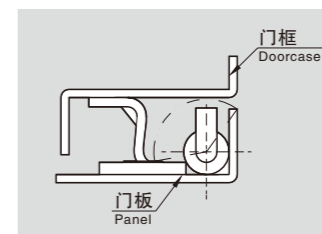
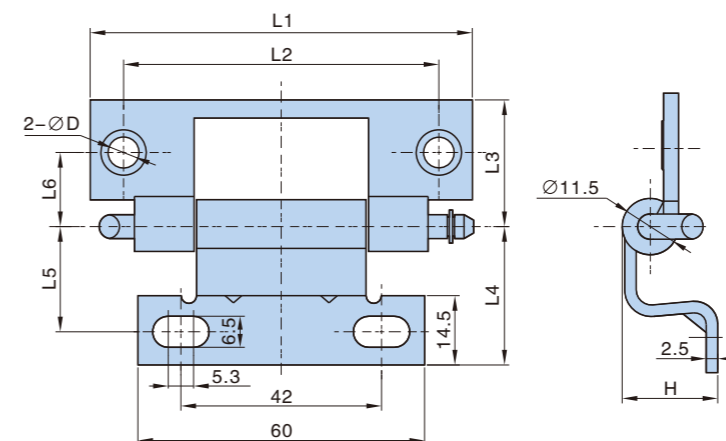
隐藏式铰链 Concealed Hinge



- 材质: 镀锌钢板铰链
- 表面处理: 镀蓝白锌
- 备注: 转动约120°
- Material: Zinc plating steel hinge
- Finish: white zinc plating
- Remark: 120° hinge.

型号 Product no.	产品单重(g) Weight	装箱数 Lot
HL048	180	200

隐藏式铰链 Concealed Hinge



基本尺寸 Dimensions								产品型号及特性 Product Number	产品 单重(g) Weight	装箱数 Lot
L1	L2	L3	L4	L5	L6	H	ØD			
80	66	26.5	28.5	22	15.5	20	6.3	HL068-1	102	200
60	48	18.2	32.5	26.8	12.5	24.2	5.3	HL068-2	93	200

HL068



HL068-1

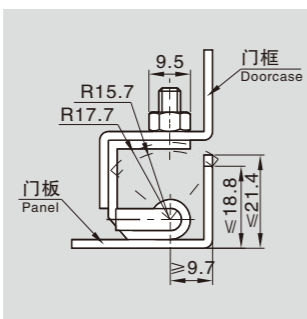
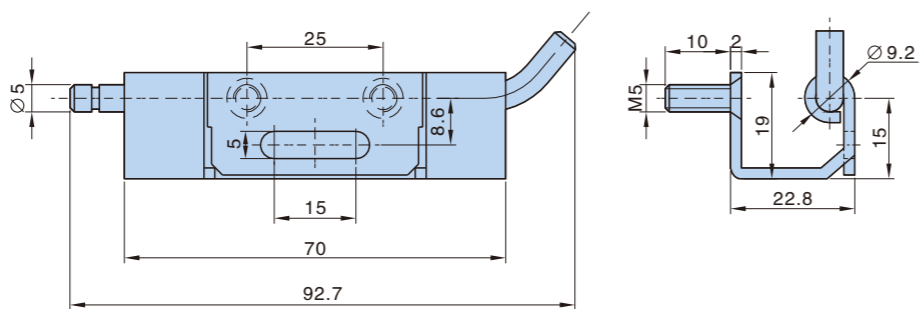


HL068-2

- 材质: 镀锌钢板铰链
- 表面处理: 镀蓝白锌
- 备注: 转动约120°
- Material: Zinc plating steel hinge
- Finish: white zinc plating
- Remark: 120° hinge

HL060-1

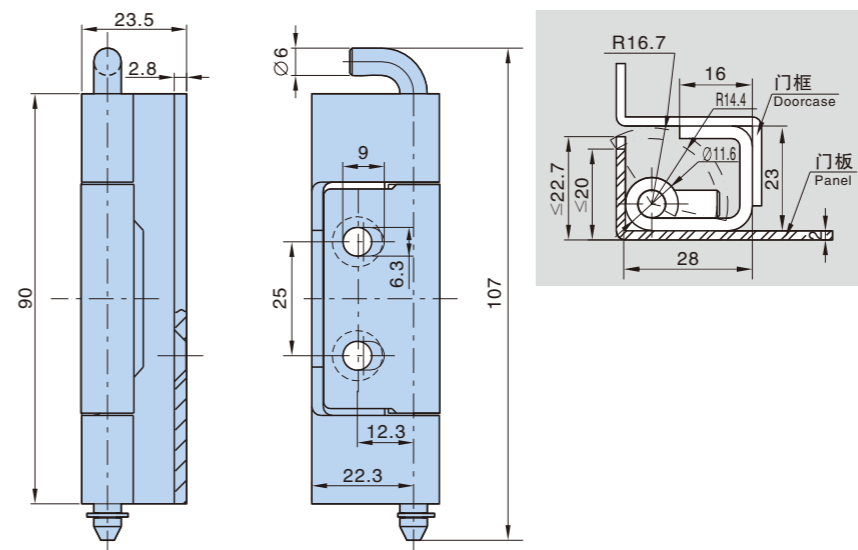
隐藏式铰链 Concealed Hinge



- 材质: 镀锌钢板铰链
- 表面处理: 镀蓝白锌
- 备注: 转动约90°
- Material: Zinc plating steel hinge
- Finish: white zinc plating
- Remark: 90° hinge

型号 Product no.	产品单重(g) Weight	装箱数 Lot
HL060-1	91	200

隐藏式铰链 Concealed Hinge



型号 Product no.	产品单重(g) Weight	装箱数 Lot
HL082	154	200
HL082S	154	200

HL082S



HL082S HL082

- 材质: 不锈钢铰链, A3钢铰链
- 表面处理: 拉丝
- 备注: 转动约为120°
- Material: Zinc plating steel and Stainless steel are available
- Finish: drawing
- Remark: 120° hinge

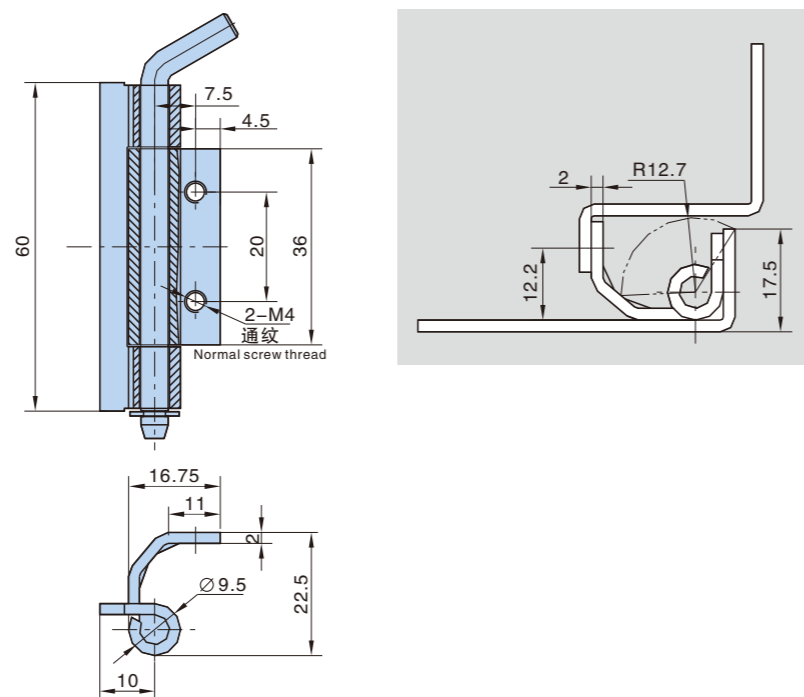
HL092

隐藏式铰链 Concealed Hinge



HL092 HL092S

- 材质: 镀锌钢板或不锈钢铰链; 镀锌钢销子或不锈钢
- 备注: 转动约为120°
- Material: Zinc plating steel and Stainless steel are available
- Remark: 120° hinge



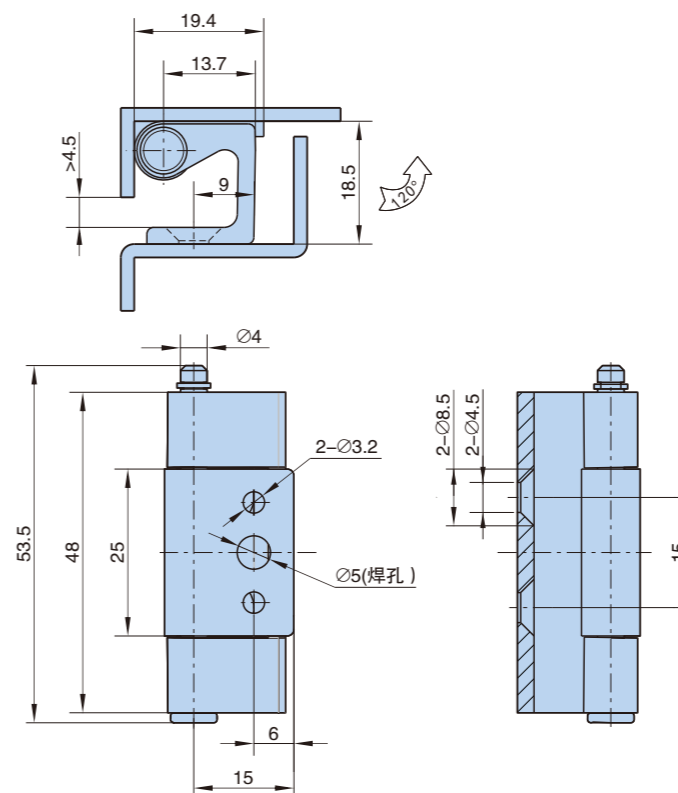
产品型号及特性 Product Number		产品单重(g) Weight	装箱数 Lot
镀锌钢板 Zinc plating steel	HL092	53	500
不锈钢 Stainless steel	HL092S	65	500

隐藏式铰链 Concealed Hinge

HL129-1



- 材质: 不锈钢铰链
- 表面处理: 拉丝
- 备注: 旋转约120°
- Material: Stainless steel hinge
- Finish: drawing
- Remark: 120° hinge



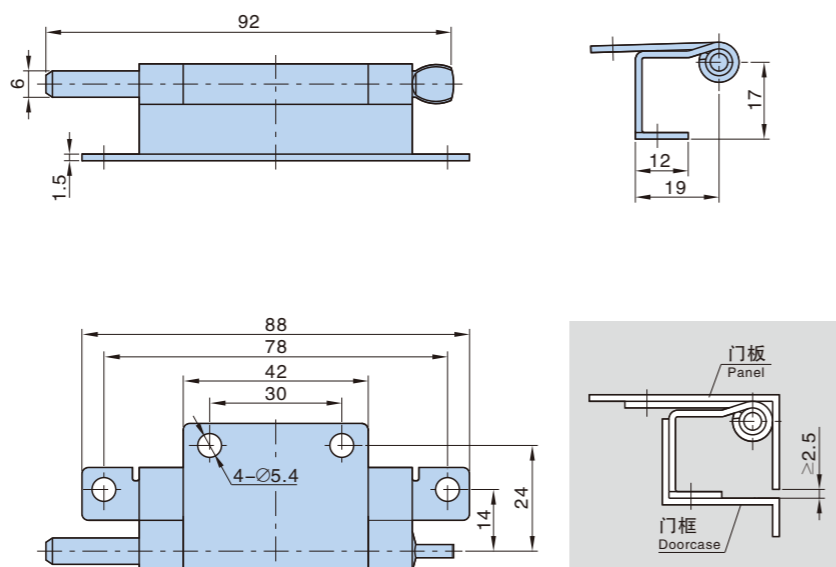
型号 Product no.	产品单重(g) Weight	装箱数 Lot
HL129-1	129	

HL109

隐藏式铰链 Concealed Hinge



- 材质: 全不锈钢铰链
- 表面处理: 拉丝
- Material: Stainless steel hinge
- Finish: drawing



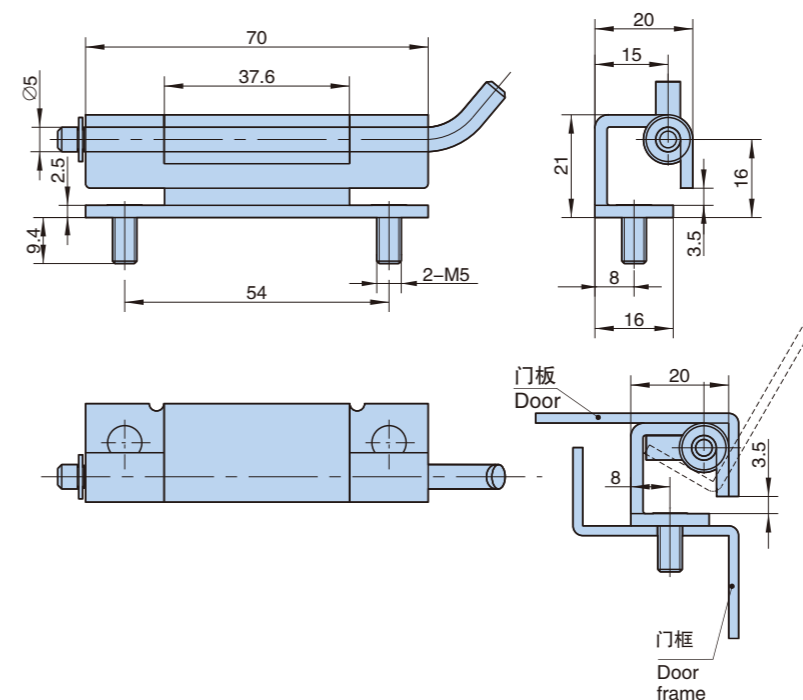
型号 Product no.	产品单重(g) Weight	装箱数 Lot
HL109	78	200

隐藏式铰链 Concealed Hinge

HL142-1



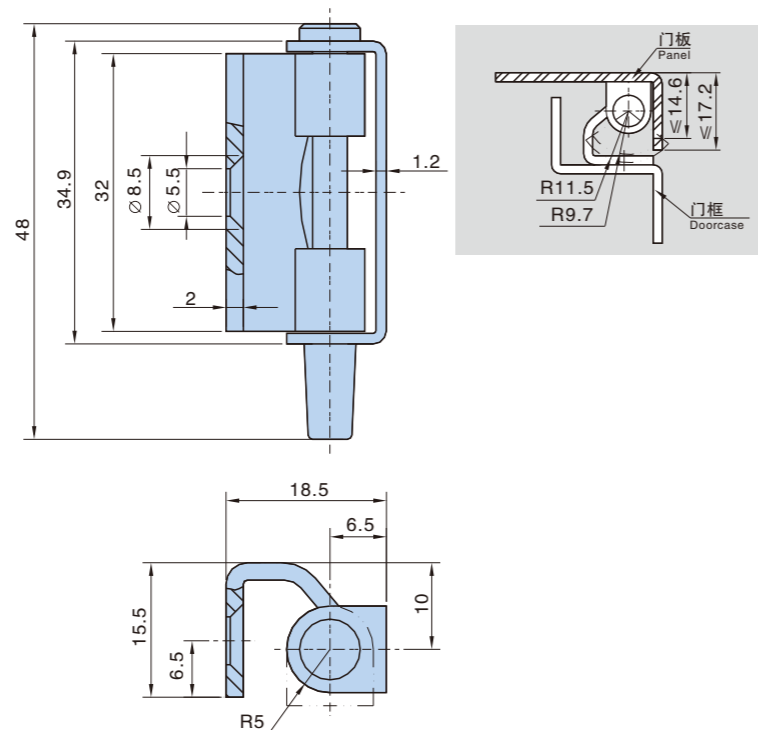
- 材质: A3钢铰链, 销子
- 表面处理: 镀蓝白锌
- 备注: 旋转约120°
- Material:
- Finish:
- Remark: 120° hinge.



型号 Product no.	产品单重(g) Weight	装箱数 Lot
HL142-1	77.3	240

HL049 - 1

隐藏式铰链 Concealed Hinge

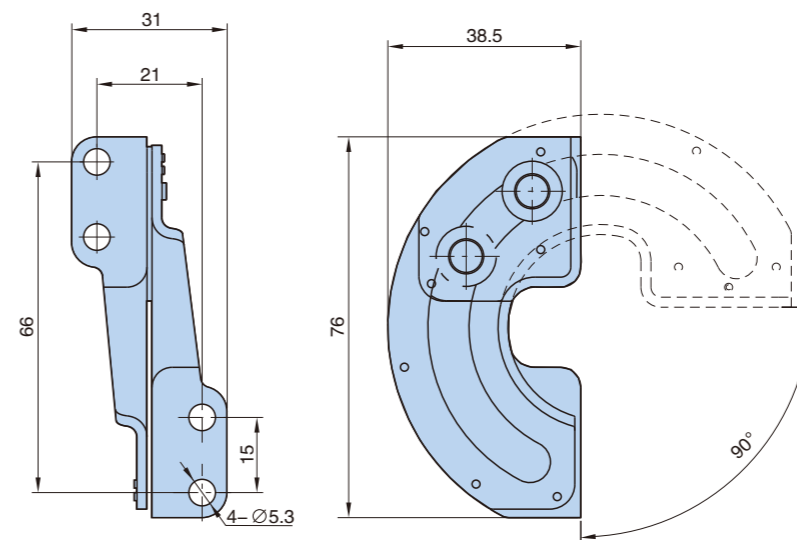


- 材质: 镀锌钢板铰链, 镀镍钢销子
- 表面处理: 镀蓝白锌
- 备注: 转动约为100°
- Material: Zinc plating steel hinge, nickel plating steel pin
- Finish: white zinc plating
- Remark: 100° hinge.

型号 Product no.	产品单重(g) Weight	装箱数 Lot
HL049 - 1	28	500

隐藏式铰链 Concealed Hinge

HL119



- 材质及表面处理: A3材料、表面镀锌处理
- 性能: 最大径向静载荷: 625N
平均径向极限载荷: 420N
最大轴向静载荷: 205N
平均轴向极限载荷: 204N
最大保持力矩: 18.2N.m
- Material and surface treatment: A3, Zinc plating
- Performance:
The maximum radial static load: 625N
The average radial limit load: 420N
The maximum axial static load: 205N
The average axial limit load: 204N
Maximum holding torque: 18.2N.m

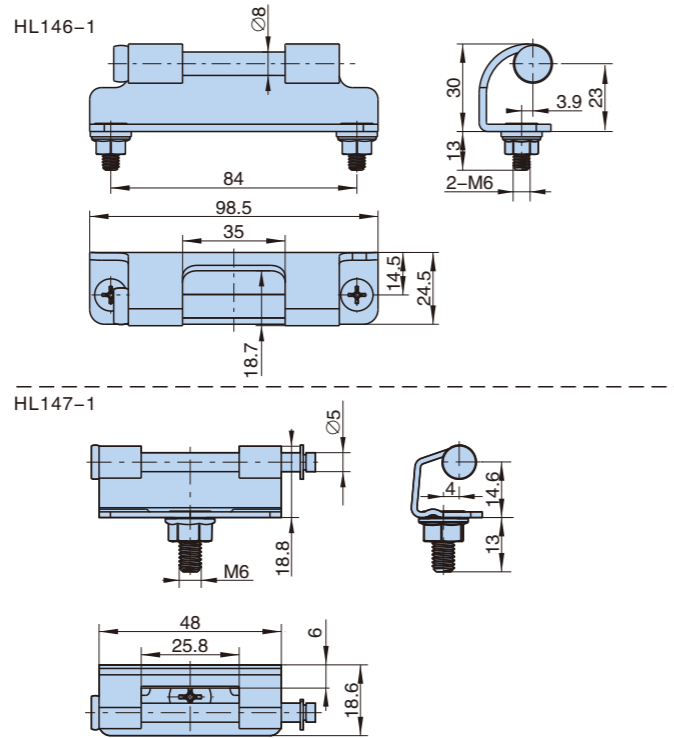
型号 Product no.	产品单重(g) Weight	装箱数 Lot
HL119	70.5	200

HL146/147

隐藏式铰链 Concealed Hinge



HL146-1 HL147-1

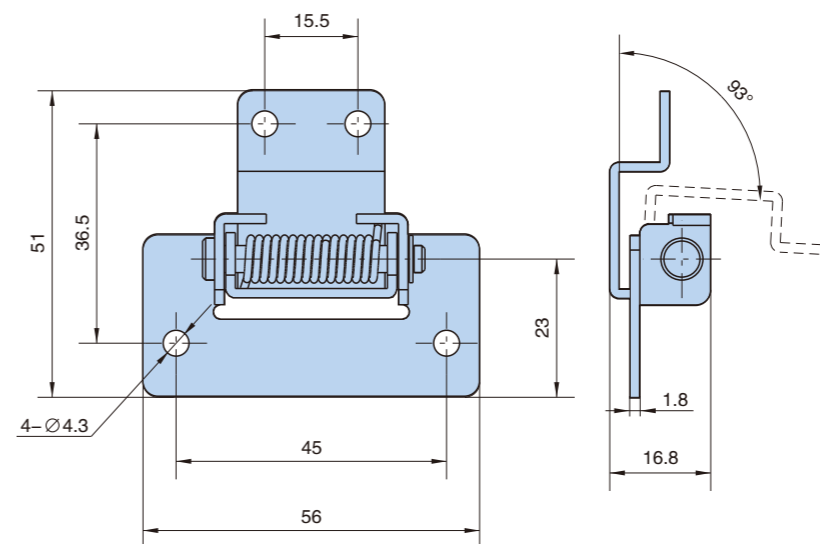


- 材质: 镀锌钢板铰链
- 表面处理: 镀蓝白锌
- Material: Zinc plating steel hinge
- Finish: white zinc plating

型号 Product no.	产品单重(g) Weight	装箱数 Lot
HL146-1	154.5	200
HL147-1	43.5	400

隐藏式铰链 Concealed Hinge

HL128



- 材质: 镀锌钢铰链
- 表面处理: 镀蓝白锌
- 备注: 旋转约93°
- Material: Zinc plating steel hinge
- Finish: white zinc plating
- Remark: 93° hinge.

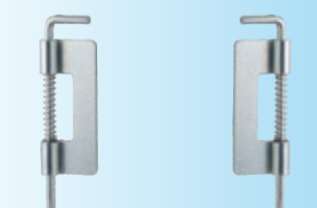
型号 Product no.	产品单重(g) Weight	装箱数 Lot
HL128	46	400

HL035-1

隐藏销式铰链 Hidden Pin Hinge

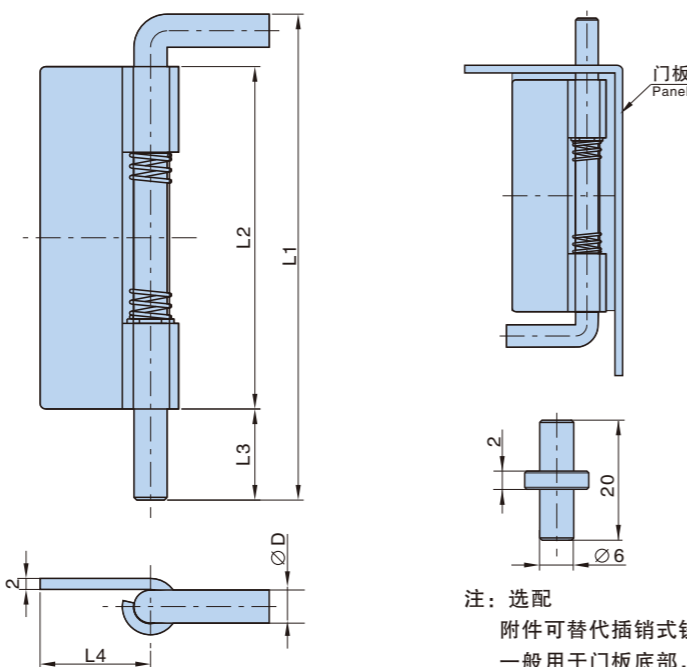


HL035-1R HL035-1L



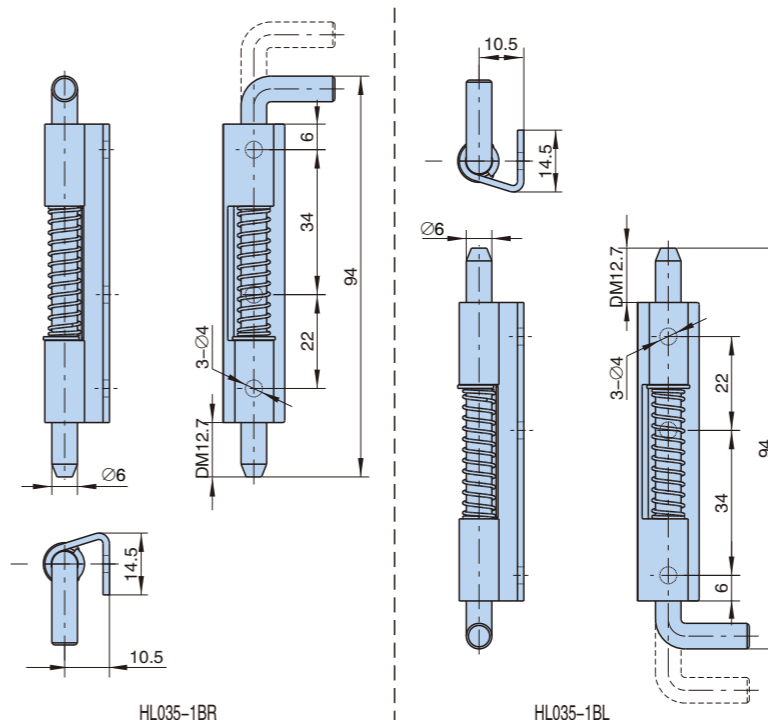
HL035-2R HL035-2L

- 材质: 镀锌钢板铰链
- 表面处理: 镀蓝白锌
- 备注: 转动约120°
- Material: Zinc plating steel hinge
- Remark: 120° hinge
- Finish: white zinc plating



基本尺寸 Dimensions					产品型号及特性 Product Number	产品单重(g) Weight	装箱数 Lot
L1	L2	L3	L4	ØD			
94	62	16.5	20	6	HL035-1R/L	52	500
90	63	16	22.5	4	HL035-2R/L	36	500

隐藏销式铰链 Hidden Pin Hinge



型号 Product no.	产品单重(g) Weight	装箱数 Lot
HL035-1BR	5.2	500
HL035-1BL	5.2	500

HL035-1B

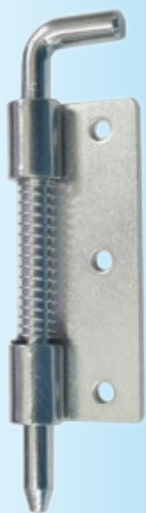


HL035-1BR

- 材质: 镀锌钢板铰链
- 表面处理: 镀蓝白锌
- 备注: 转动约120°
- Material: Zinc plating steel hinge
- Remark: 120° hinge
- Finish: white zinc plating

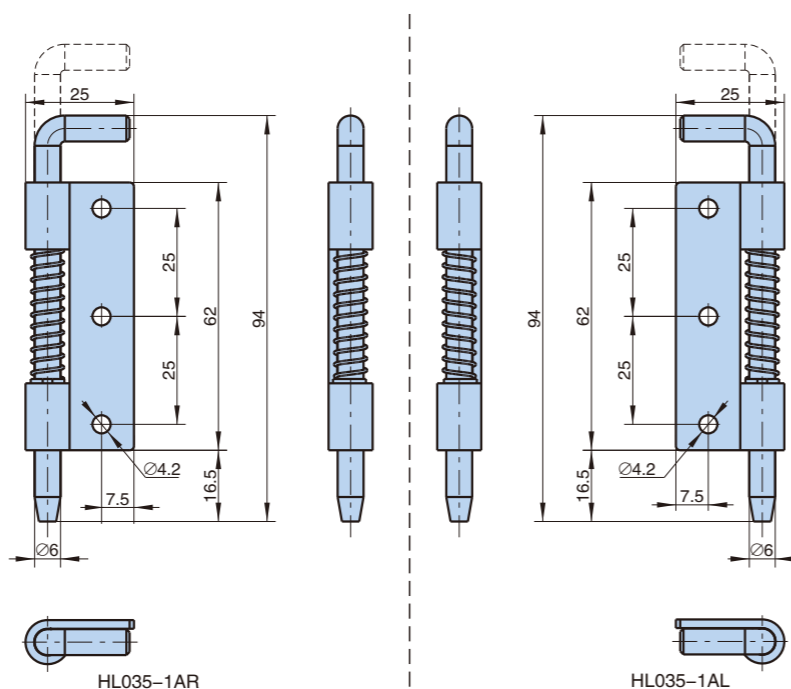
HL035-1A

隐藏销式铰链 Hidden Pin Hinge



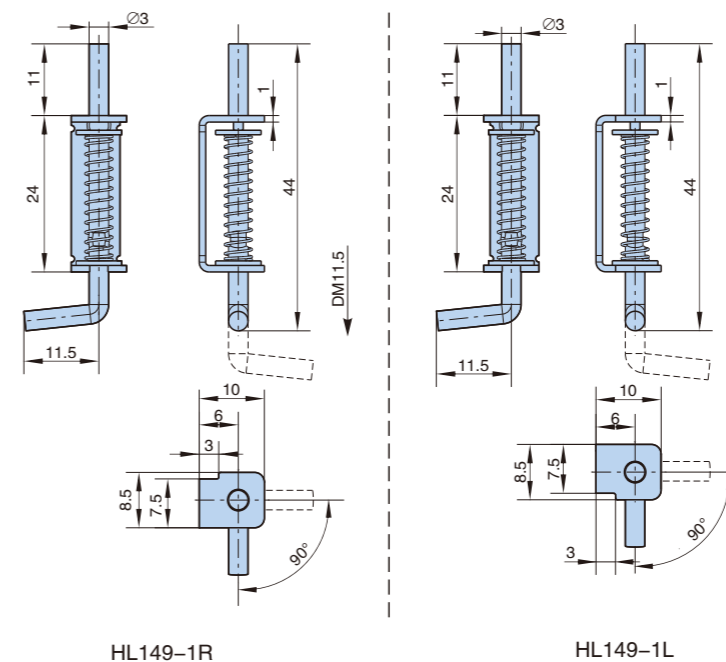
HL035-1AR

- 材质: 镀锌钢板铰链
- 表面处理: 镀蓝白锌
- 备注: 转动约120°
- Material: Zinc plating steel hinge
- Remark: 120° hinge
- Finish: white zinc plating



型号 Product no.	产品单重(g) Weight	装箱数 Lot
HL035-1AR	49	500
HL035-1AL	49	500

隐藏销式铰链 Hidden Pin Hinge



型号 Product no.	产品单重(g) Weight	装箱数 Lot
HL149-1R	5.3	200
HL149-1L	5.3	200

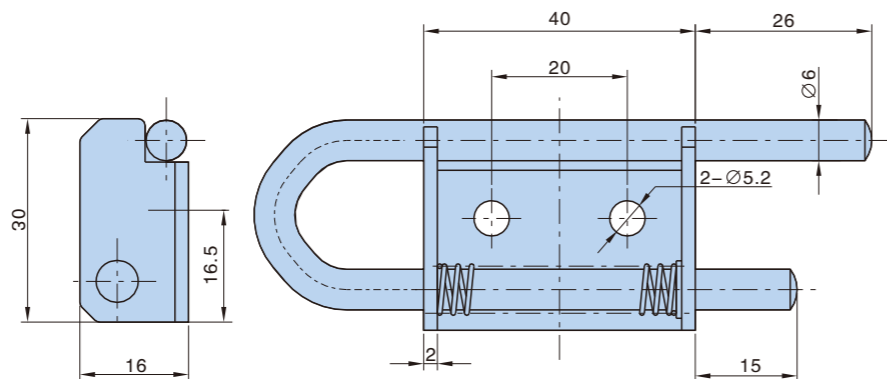
HL149-1



- 材质: 镀锌钢板铰链
- 表面处理: 镀蓝白锌
- Material: Zinc plating steel hinge
- Finish: white zinc plating

HL037

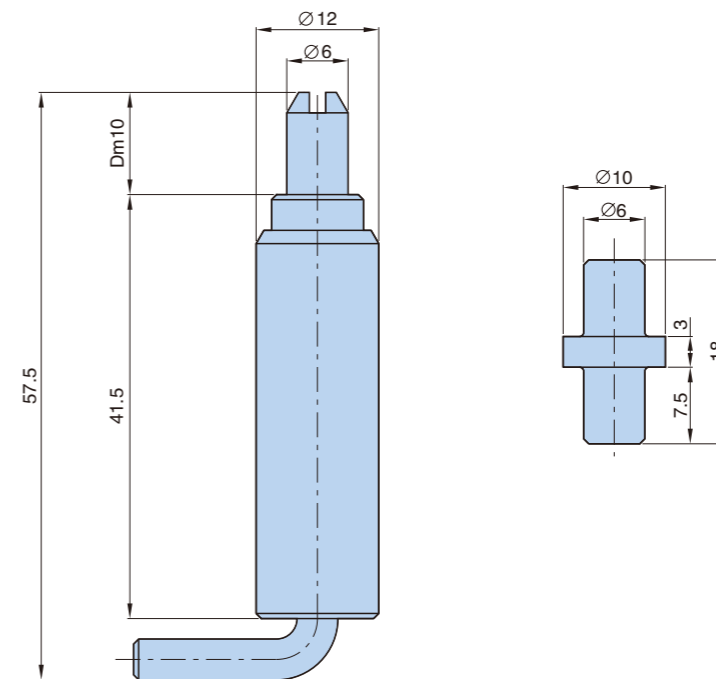
隐藏销式铰链 Hidden Pin Hinge



- 材质: 镀锌钢铰链, 镀锌渗碳钢销子
- 表面处理: 镀蓝白锌
- Material: Zinc plating steel hinge and pin
- Finish: white zinc plating

型号 Product no.	产品单重(g) Weight	装箱数 Lot
HL037	70	200

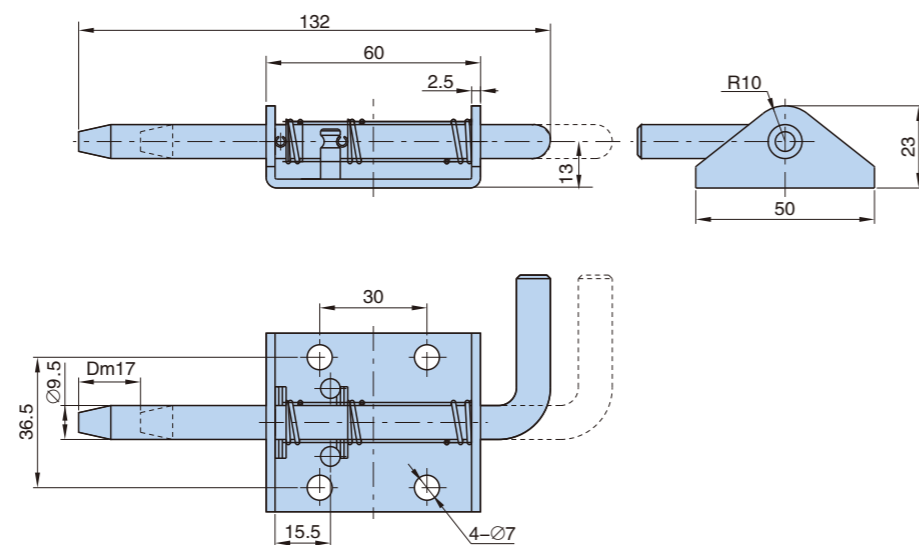
隐藏销式铰链 Hidden Pin Hinge



型号 Product no.	产品单重(g) Weight	装箱数 Lot
HL117	35	500

HL110

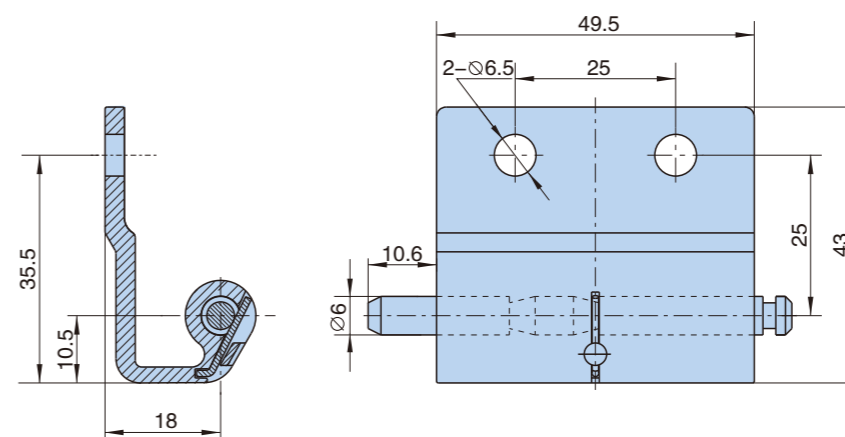
隐藏销式铰链 Hidden Pin Hinge



- 材质: 镀锌钢铰链
- 表面处理: 镀蓝白锌
- Material: Zinc plating steel hinge
- Finish: white zinc plating

型号 Product no.	产品单重(g) Weight	装箱数 Lot
HL110	173	200

隐藏销式铰链 Hidden Pin Hinge



型号 Product no.	产品单重(g) Weight	装箱数 Lot
HL140	90.3	300

HL140



- 材质: 锌合金铰链, 碳钢销子
- 表面处理: 喷无光黑
- 备注: 可开启角度180°
- Material: zinc alloy hinge, steel for the pin.
- Finish: matt black.
- Remark: 180° hinge.

A拉手系列
Handles series

B平面锁系列
Plane lock series

C连杆锁系列
Rod control series

D面板锁系列
Plane lock series

E执手锁系列
Handle lock series

F转舌锁系列
Cam lock series

G铰链系列
Hinge series

H搭扣锁系列
Toggle lock series

I门销系列
Door bolt series

J电子锁系列
Electronic lock series

K密封条系列
Gasketing series

L限位系列
Door stop series

M附件系列
Accessories series

N不锈钢件系列
Stainless steel series

索引
Index

A拉手系列
Handles series

B平面锁系列
Plane lock series

C连杆锁系列
Rod control series

D面板锁系列
Plane lock series

E执手锁系列
Handle lock series

F转舌锁系列
Cam lock series

G铰链系列
Hinge series

H搭扣锁系列
Toggle lock series

I门销系列
Door bolt series

J电子锁系列
Electronic lock series

K密封条系列
Gasketing series

L限位系列
Door stop series

M附件系列
Accessories series

N不锈钢件系列
Stainless steel series

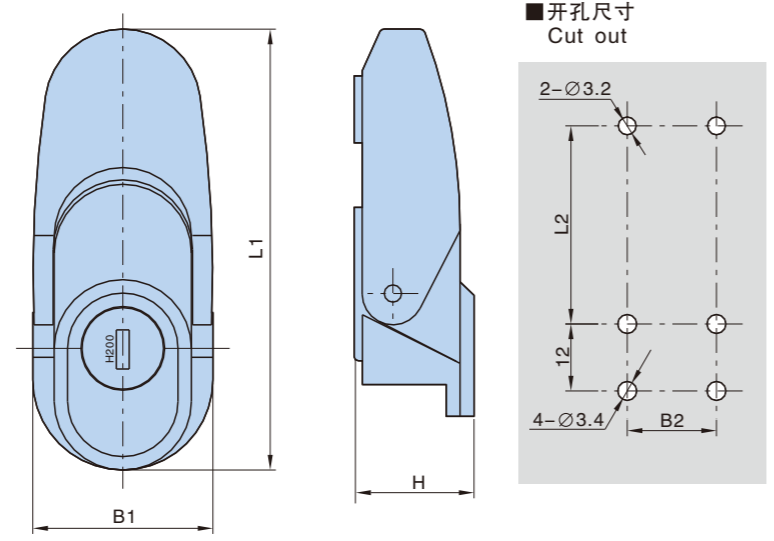
索引
Index

DKS

搭扣锁 Clasp lock

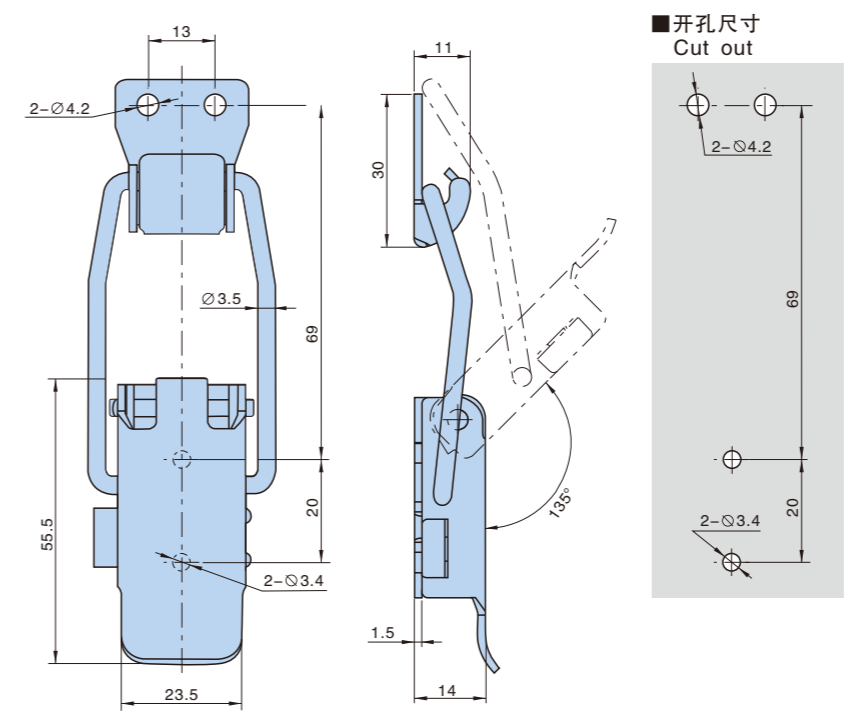


- 材质: 锌合金锁体、其他零件为不锈钢
- 表面处理: 镀亮铬, 镀沙铬, 无光黑
- 适用门板厚度: 1~4mm
- Material: Zinc-die casting body
- Finish: Bright chrome plating, Gray chrome plating, Black powder coated
- panel thickneel: 1~4mm



基本尺寸 Dimensions					产品型号及特性 Product Number					
L1	L2	B1	B2	H	有锁芯 With key	产品单重(g) Weight	装箱数 Lot	无锁芯 w/o key	产品单重(g) Weight	装箱数 Lot
80	35.5	32.5	16	21.5	DKS-1-1.1	126.5	200	DKS-1-2.1	117.5	200
65	30	26.5	12	17.5	DKS-2-1.1	69	250	DKS-2-2.1	63.5	250

搭扣 Latch up



型号 Product no.	产品单重(g) Weight	装箱数 Lot
DKS103-2	62.5	400

DKS103-2

INOX
AISI
3..



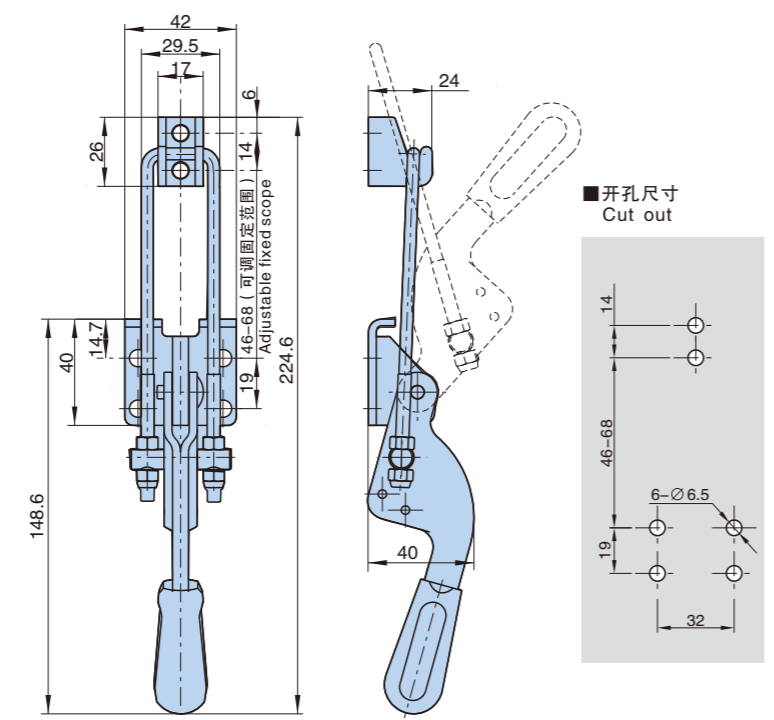
- 材质: 不锈钢
- Material: Stainless steel

DK102

搭扣 Latch up

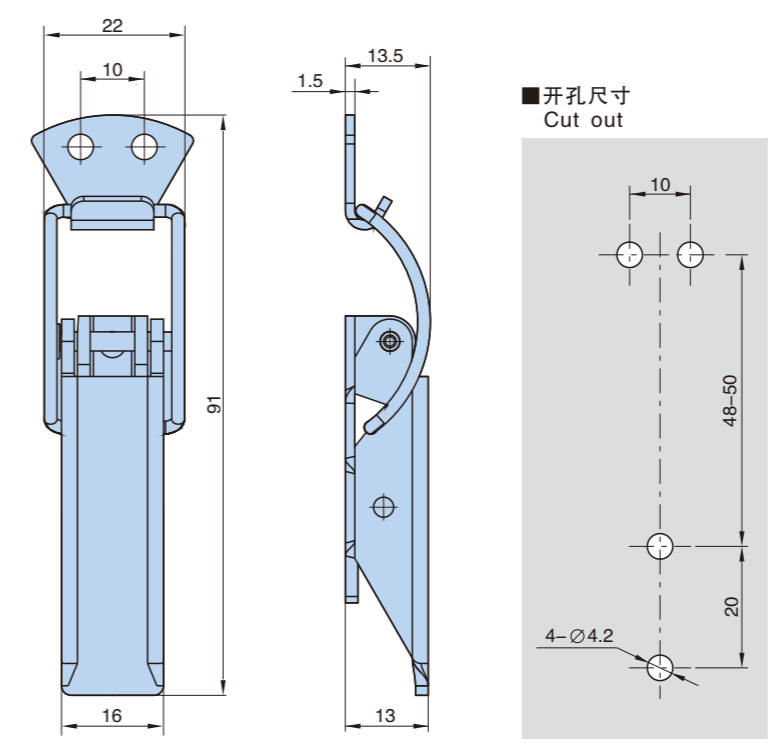


- 材质: PVC手柄套, 镀锌钢手柄
- Material: PVC Handle



型号 Product no.	产品单重(g) Weight	装箱数 Lot
DK102	247	50

搭扣 Latch up



型号 Product no.	产品单重(g) Weight	装箱数 Lot
DKS104-2	41	400

DKS104-2

INOX
AISI
3..



- 材质: 不锈钢
- Material: Stainless steel

A拉手系列 Handles series

B平面锁系列 Plane lock series

C连杆锁系列 Rod control series

D面板锁系列 Plane lock series

E执手锁系列 Handle lock series

F转舌锁系列 Cam lock series

G铰链系列 Hinge series

H搭扣锁系列 Toggle lock series

I门销系列 Door bolt series

J电子锁系列 Electronic lock series

K密封条系列 Gasketing series

L限位系列 Door stop series

M附件系列 Accessories series

N不锈钢件系列 Stainless steel series

索引 Index

A拉手系列 Handles series

B平面锁系列 Plane lock series

C连杆锁系列 Rod control series

D面板锁系列 Plane lock series

E执手锁系列 Handle lock series

F转舌锁系列 Cam lock series

G铰链系列 Hinge series

H搭扣锁系列 Toggle lock series

I门销系列 Door bolt series

J电子锁系列 Electronic lock series

K密封条系列 Gasketing series

L限位系列 Door stop series

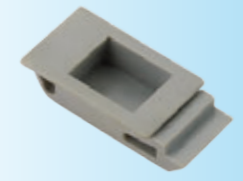
M附件系列 Accessories series

N不锈钢件系列 Stainless steel series

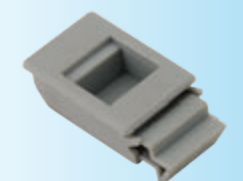
索引 Index

MS733

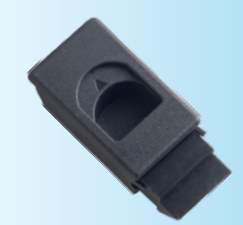
搭扣 Latch up



MS733-1

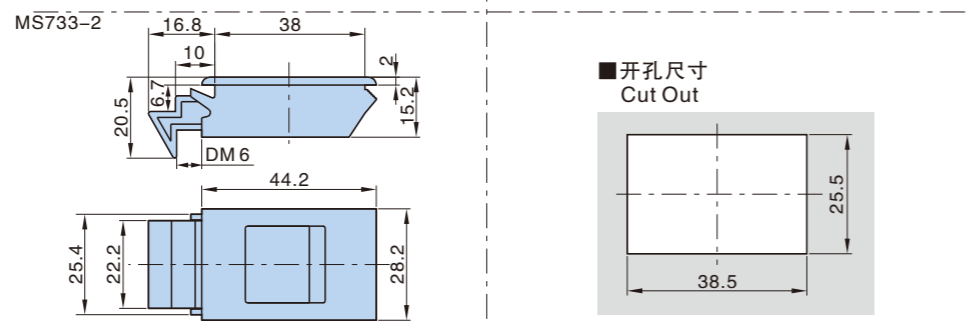
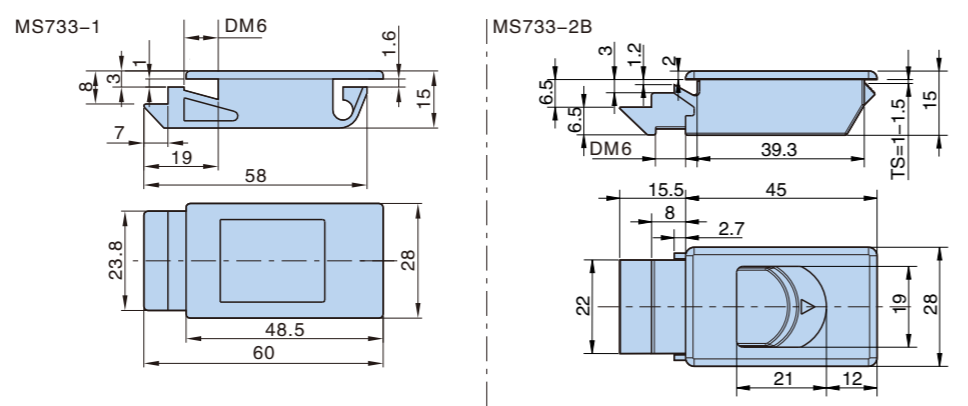


MS733-2



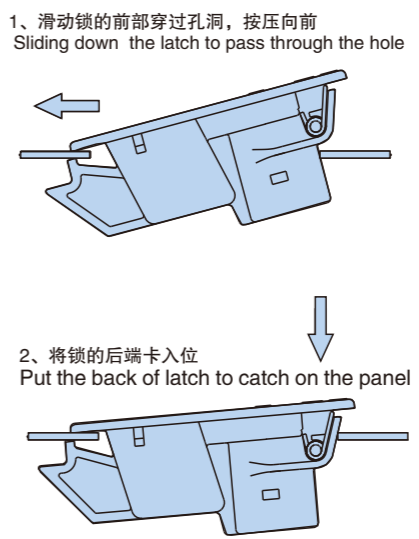
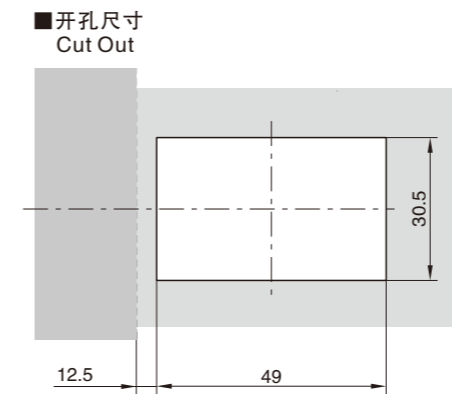
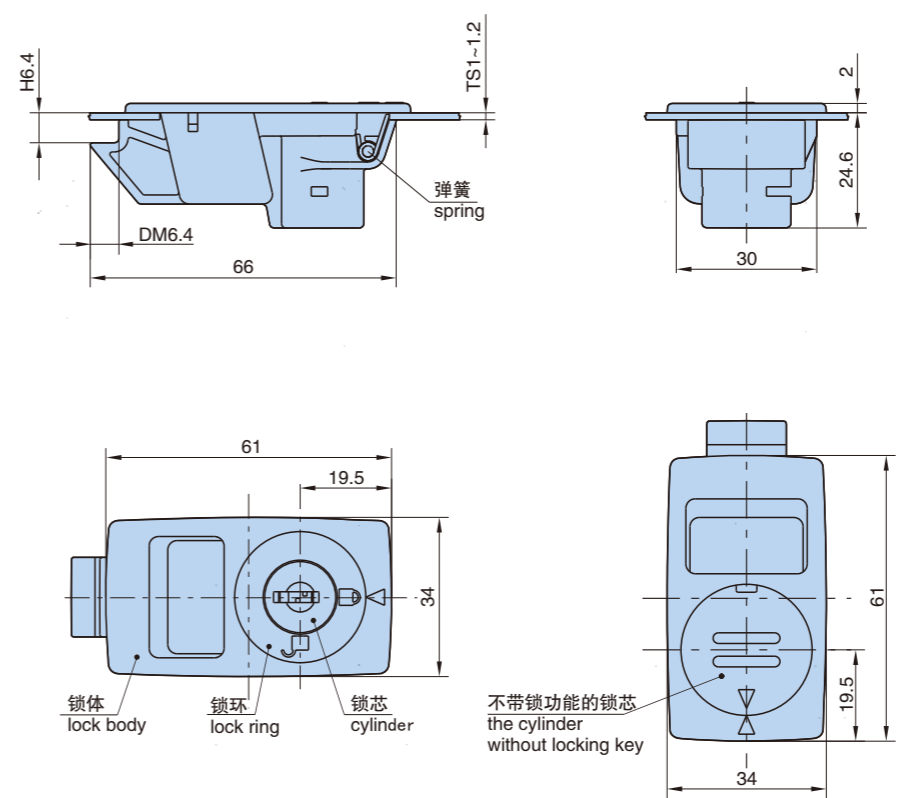
MS733-2B

- 材质: PA锁体
- 适用门板厚度: 1mm
- 备注: 颜色为黑色、灰白色
- Material: PA lock body
- Panel thickness: 1mm
- Remark: Black, gray



型号 Product no.	产品单重(g) Weight	装箱数 Lot
MS733-1	12	1000
MS733-2	10	1000
MS733-2B	10.5	1000

搭扣锁 Clasp lock



产品型号及特性 Product Number	产品单重(g) Weight	装箱数 Lot
有锁芯 With key	MS9008P-1-1	15
无锁芯 No lock core	MS9008P-1-2	17

MS9008P



CH751

MS9008P-1-1



MS9008P-1-2

- 材质: ABS锁体 锁芯
- 表面处理: 黑色咬花面
- 适用门板厚度: 1~1.2mm
- Material: ABS lock core
- Finish: color (black)
- Panel thickness: 1~1.2mm

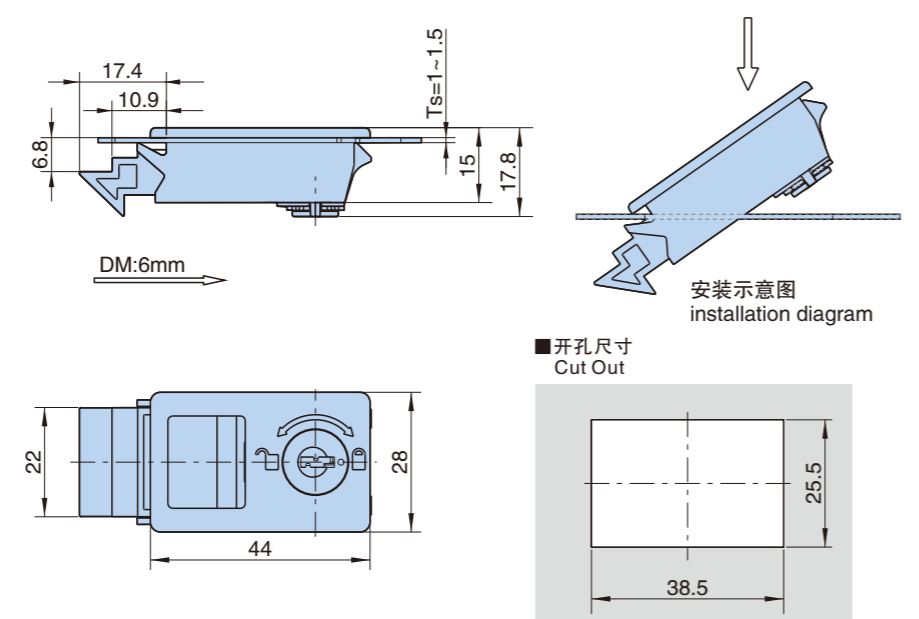
MS733-3

搭扣锁 Clasp lock



K0200

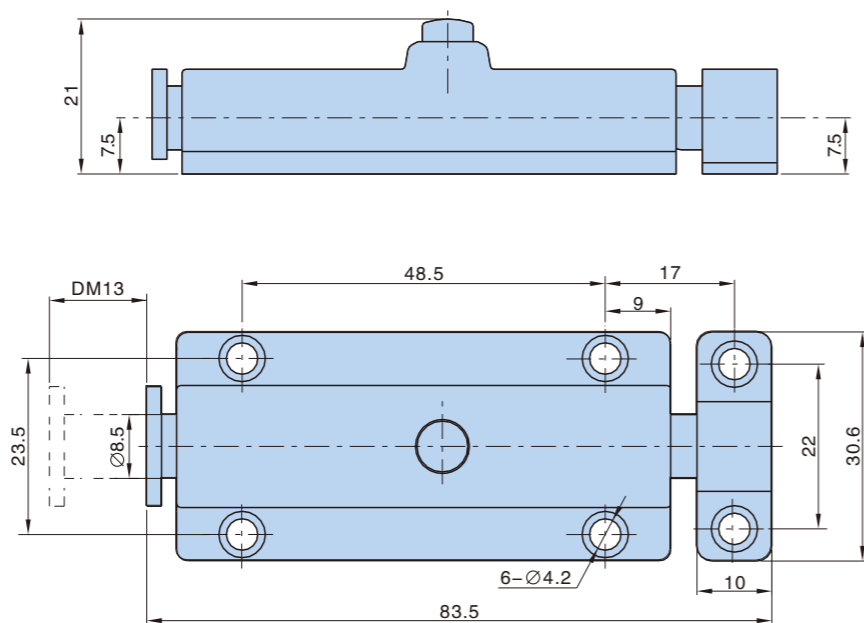
- 材质: PA锁体, 锁芯。
- 适用门板厚度: 1~1.2mm
- 结构功能: 锁芯旋转180°, 实现锁闭或开启, 锁舌压缩行程6mm。
- 表面处理: 火花纹。
- 备注: 颜色为黑色
- Material: PA lock body, a lock core.
- Panel thickness: 1~1.2mm
- Finish: Matt black.



型号 Product no.	产品单重(g) Weight	装箱数 Lot
MS733-3	20.5	300

MX01

门销 Door pin

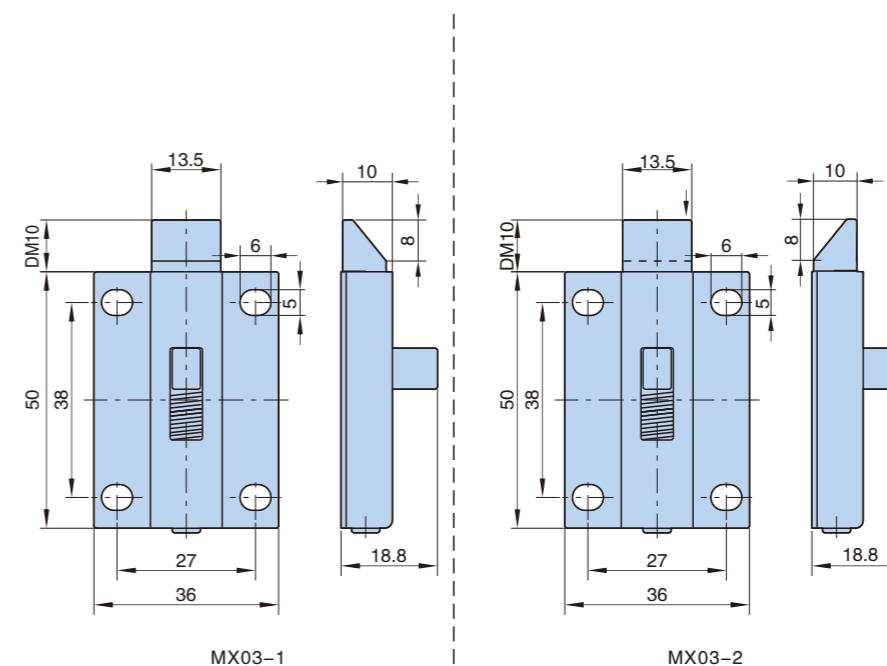


门销 门销

- 材质: 锌合金
- 表面处理: 镀亮铬
- Material: zinc alloy
- Finish: Bright chrome plating

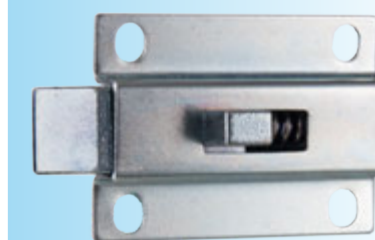
型号 Product no.	产品单重(g) Weight	装箱数 Lot
MX01	60.3	200

门销碰锁 Door pin lock



型号 Product no.	产品单重(g) Weight	装箱数 Lot
MX03-1	45	200
MX03-2	45	200

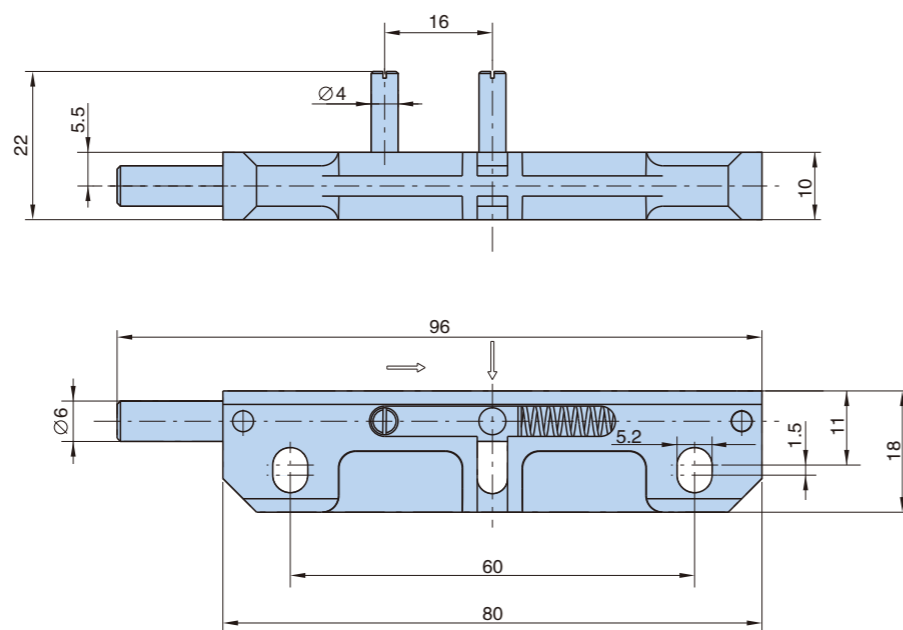
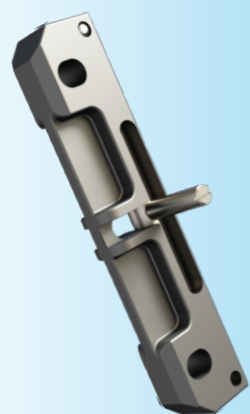
MX03



- 材质: A3固定座、锌合金锁舌
- 表面处理: 镀蓝白锌
- Material: A3 body、zinc die-casting lock tongue;
- Finish: white zinc plated.

MX02R

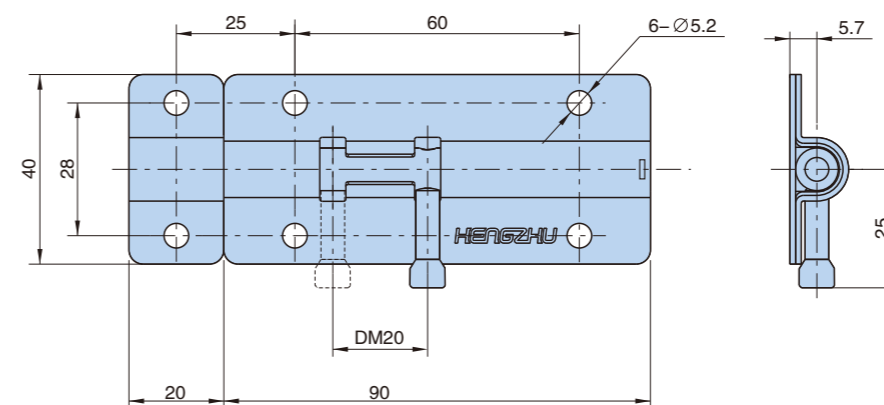
门销 Door pin



- 材质: 锌合金基座, 不锈钢销子弹簧
- 表面处理: 喷砂镀镍
- Material: Zinc die-casting body stainless steel pin, spring
- Finish: Sand nickel plating

型号 Product no.	产品单重(g) Weight	装箱数 Lot
MX02R	63	300
MX02L	63	300

门销 Door pin



型号 Product no.	产品单重(g) Weight	装箱数 Lot
MX04	122.5	300

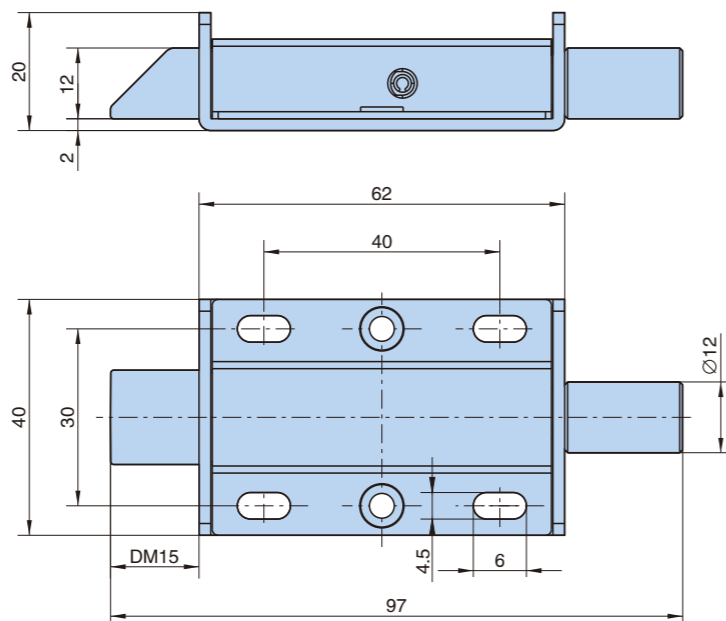
MX04



- 材质: 不锈钢。
- 表面处理: 拉丝
- Material: Stainless steel
- Finish: Sand nickel plating

MX05

门销碰锁 Door pin lock

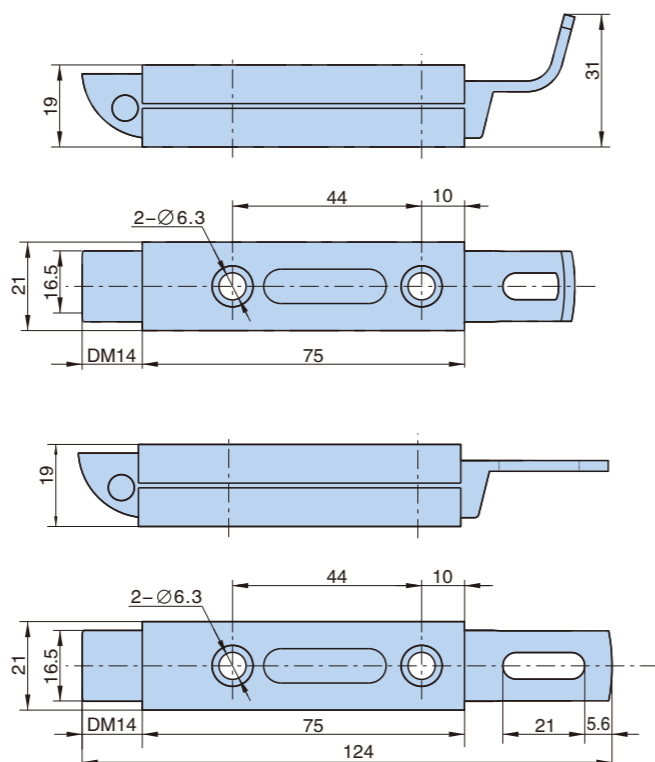
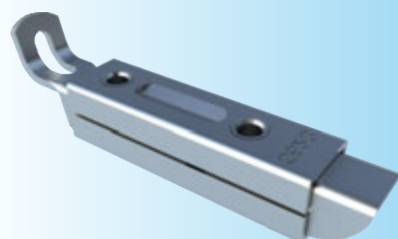


- 材质: A3固定座、锌合金锁舌
- 表面处理: 镀蓝白锌
- Material: A3 body、zinc die-casting lock tongue
- Finish: white zinc plated

型号 Product no.	产品单重(g) Weight	装箱数 Lot
MX05	162	140

MX06

门销碰锁 Door pin lock

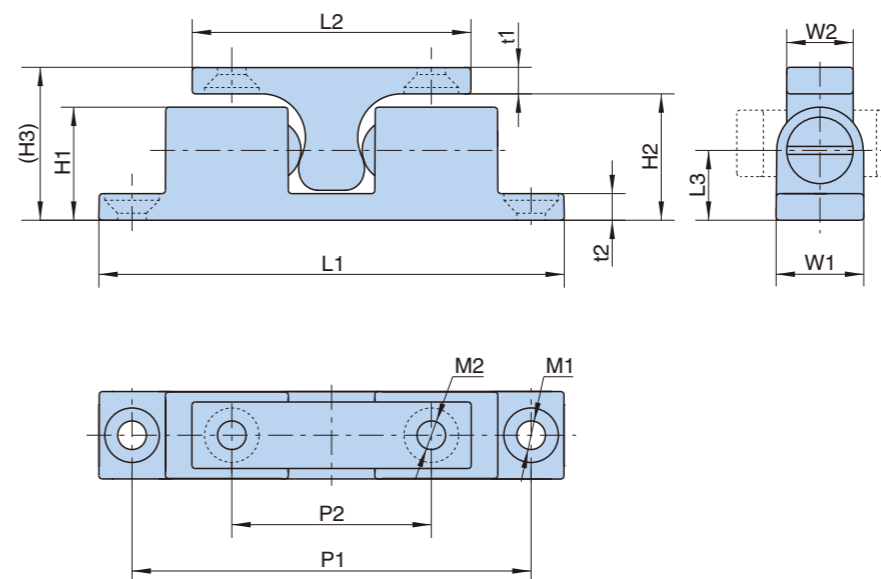


- 材质: A3固定座、锌合金锁舌
- 表面处理: 镀蓝白锌
- Material: A3 body、zinc die-casting lock tongue;
- Finish: white zinc plated

型号 Product no.	产品单重(g) Weight	装箱数 Lot
MX06	150	160
MX06(平锁舌)	151.2	160

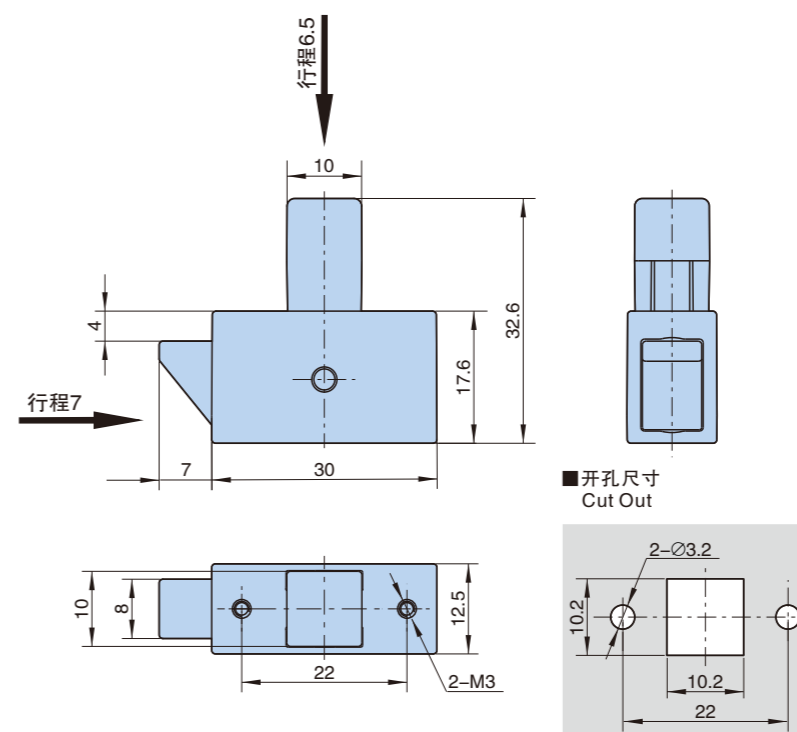
I003

门销碰锁 Door pin lock



型号 Product no.	L1	L2	L3	W1	W2	H1	H2	H3	t1	t2	P1	P2	M1	M2	产品单重(g) Weight	装箱数 Lot
MX07-1	70	42	10.5	13	10	17	19	23	4	4	60	30	M4	M4	68.8	250
MX07-2	50	30	7	10	9	12	13	16	2.5	2.5	40	20	M4	M4	25.4	500
MX07-3	43	25	6	8	7.5	10	11	13.5	2.5	2.5	35	16	M3	M3	15.4	600

门销碰锁 Door pin lock



型号 Product no.	产品单重(g) Weight	装箱数 Lot
MX08	35.5	200

MX07



MX07-1 MX07-2 MX07-3

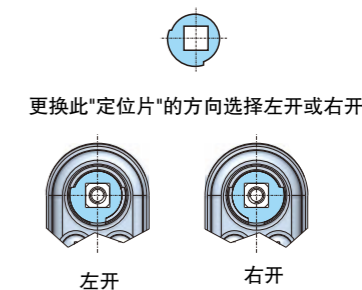
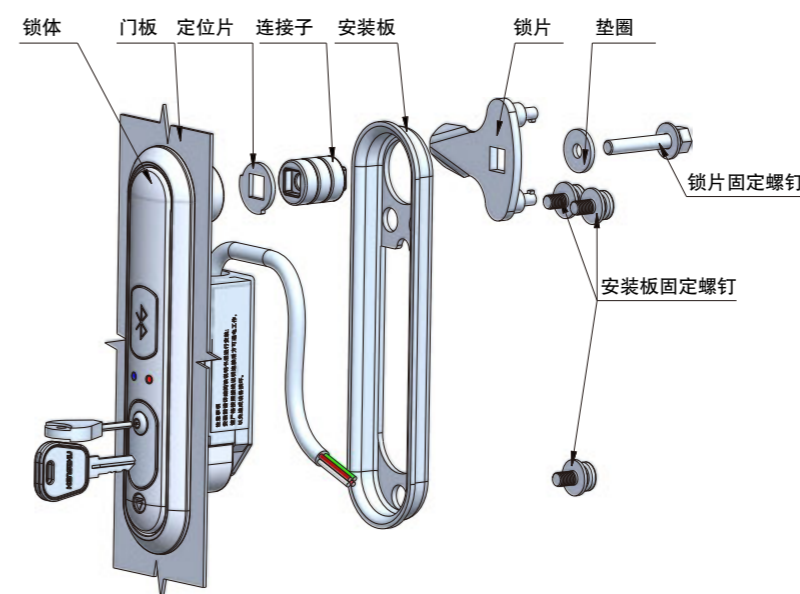
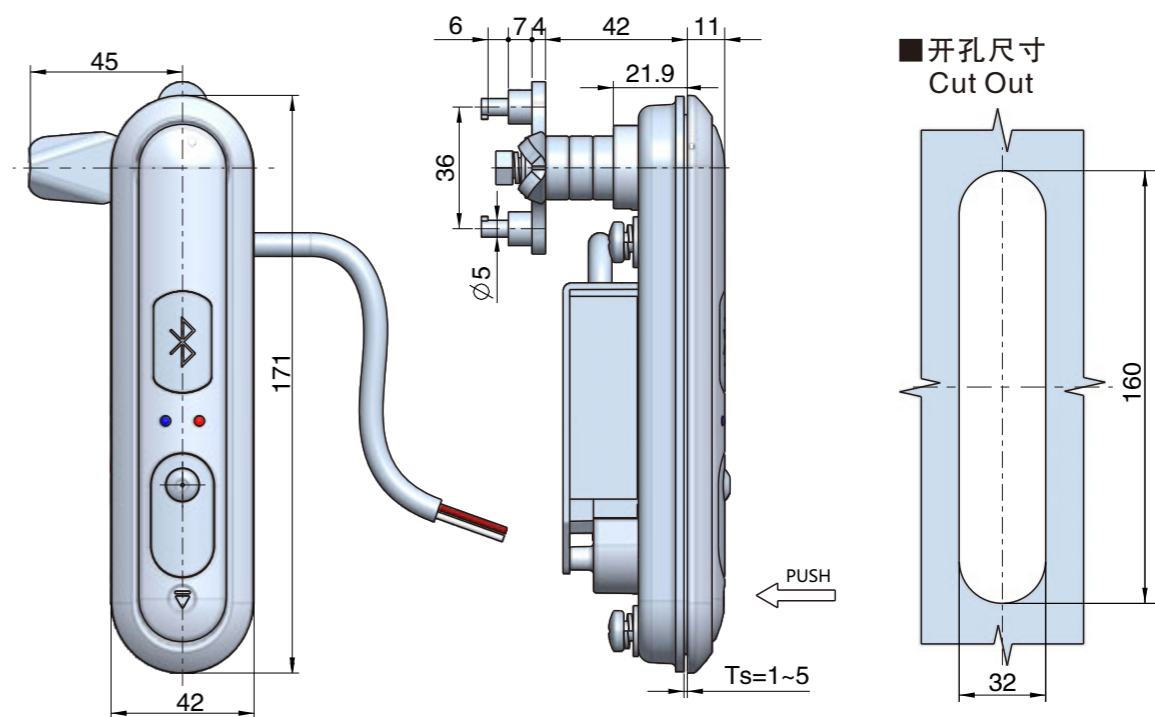
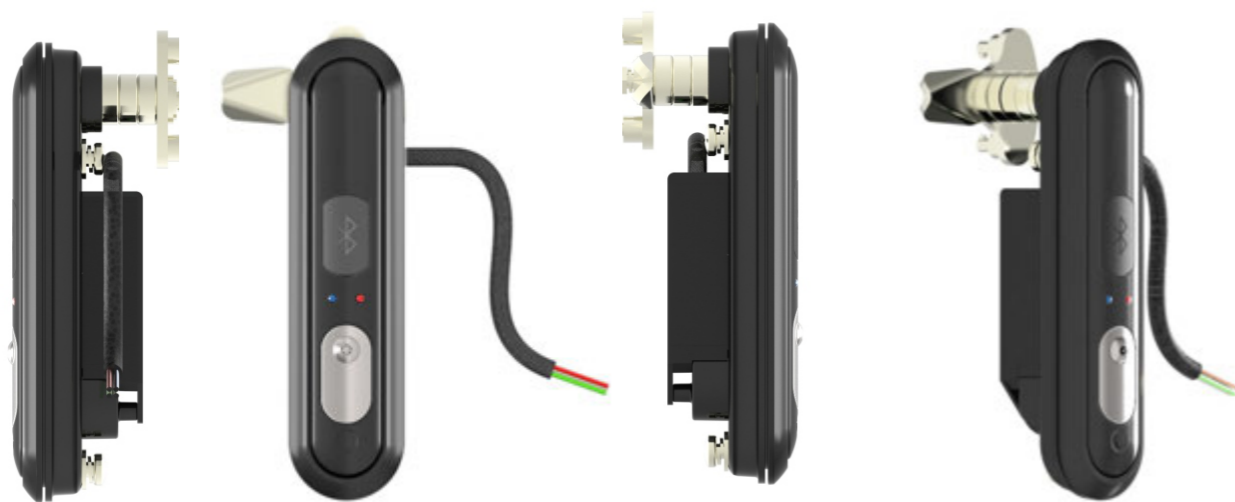
- 材质: 锌合金静门碰、动门碰, SUS304 钢球, 65MN弹簧, Hpb59-1 紧定螺钉。
- 表面处理: 镀亮铬, 镀镍紧定螺钉。
- 用途: 小型配电箱, 测量仪器, 工程机械。
- Material: zinc alloy for the body, SUS304 for the steel ball, 65MN for the spring, Hpb59-1 for the screw.
- Finish: bright chrome for the body, nickel plating for the screw.
- Application: small-version distribution box, measuring instrument, engineering machinery.

MX08



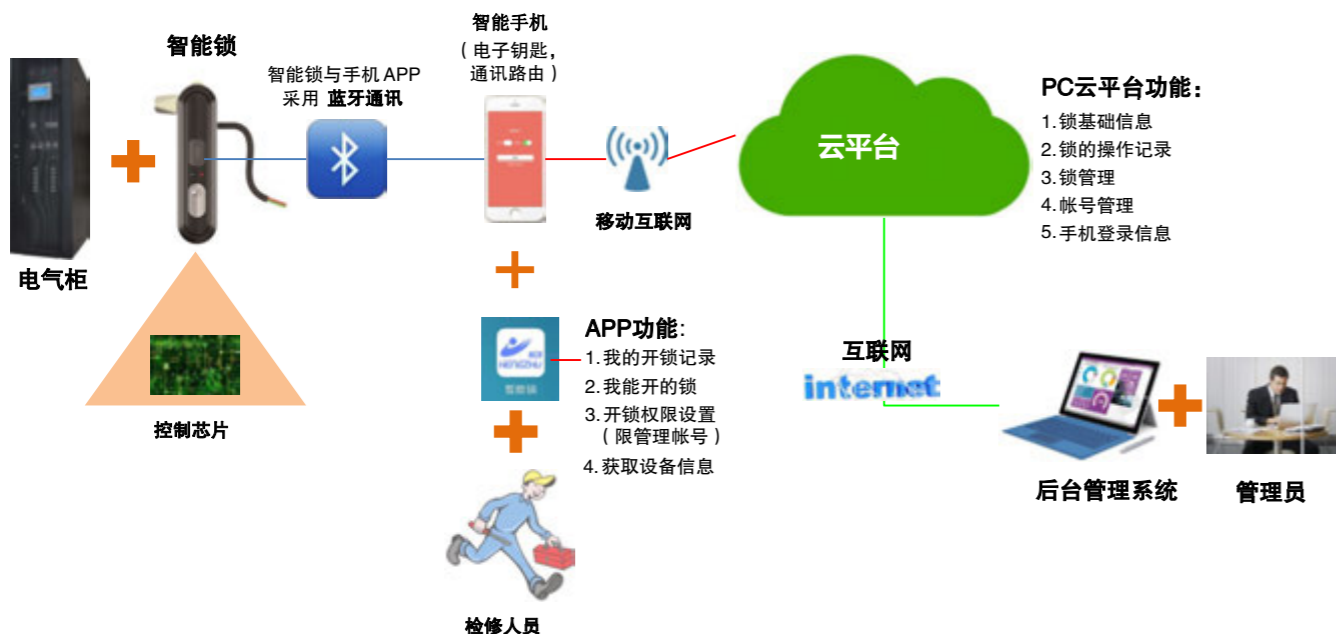
- 材质: 锌合金锁座, 按钮, 锁舌
- 结构功能: 当按钮按下行程6.5mm时, 锁舌往里缩7mm
- 表面处理: 喷砂镀镍
- Material: Zinc alloy
- Finish: Sand nickel plating

I004



1. 材质: 主体为锌合金+不锈钢+ABS(电子), 配件为不锈钢
2. 表面处理: 电泳黑
3. 适用门板厚度: 1~4mm
4. 锁片开孔: 口10x10

型号 Product no.	产品单重(g) Weight	装箱数 Lot
MS8017Z-1-1	795	30



一、 产品简介

智能蓝牙电气柜锁是一款集成BLE蓝牙的智能柜锁，用户通过手机APP和后台管理系统实施开锁及管理。

该锁具备手机开速开锁、权限管理、记录查询、锁状态探测等功能，用户可通过手机APP和后台管理系统进行高效、安全管理各类柜门。其典型应用场景配电柜、通信柜、服务器机柜等。

二、 主要功能说明

2.1 手机快速开锁

管理员或经授权的手机APP可以快速打开锁。



2.2 距离感知

蓝牙锁具备自动距离感应技术,当经过授权的手机在锁周边时，手机将自动感知到锁，用户可通过APP开速开锁，无需进行搜索。



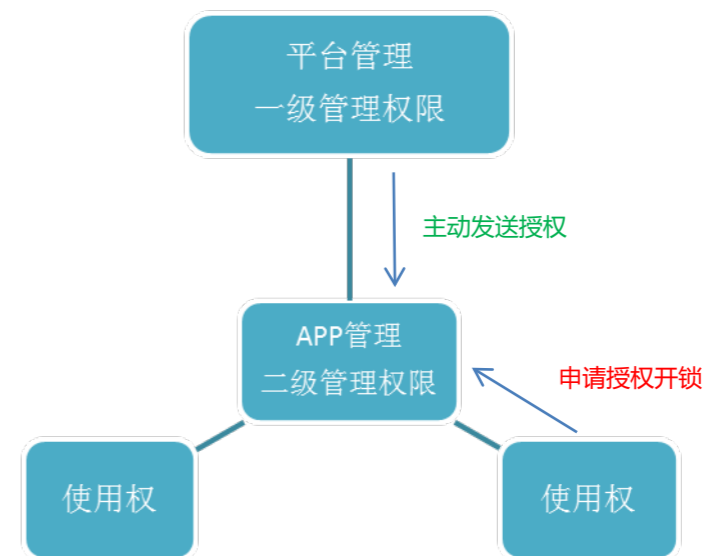
2.3 锁状态自动探测

为了保护电子的电路，在电子锁内部安装有锁状态传感器，当通过手机完成开锁后,锁舌将自动回位，防止锁动作执行因长时间工作而发热。从而影响电子锁的使用寿命。



2.4 安全授权管理

蓝牙锁管理流程采用了两级授权管理方式,后台平台管理员具备最高的权限管理,首先由平台管理员主动分发电子锁的使用权限给二级管理员,最后施工/维护人员可以通过向二级管理员申请开锁权限,所有的分享及申请请求均可以通过平台进行查询。



2.5 开锁记录查询

平台管理员可以通过手机APP或者后台平台两种方式查询开门记录

手机APP查看方法:



后台管理平台查看方法:

登录后台云平台,选择记录查询功能点击需要查看的锁的记录



2.6 锁安装位置及信息标定



安装绑定锁手机将获取定位保存
安装信息设备将标定设备的安装位置信息

2.7 标准485通讯接口

锁配置有标准的485通讯端口,可以通过定制协议与其它控制器连接控制,实现远程开锁, 远程锁状态管理等功能。

三、 电气参数

	项目	参数	备注
1	工作电压	DC 12V 纹波 ≤ 10mV	
2	电流	静态 ≤ 30mA 峰值 ≤ 200mA	
3	无线增益	+4dB	
4	工作温度	-20~75℃	
5	工作湿度	20~85%且无霜露	
6	无线制式	蓝牙 4.0设备 (遵循低功耗蓝牙BLE规范)	

四、 安装接线



随机密码控制器



一、 产品简介

随机密码控制器是一款可以通过密码或者随机生成的密码控制开锁的控制器，控制器具备使用简单、安全等特点其典型应用场景配电柜、通信柜、服务器机柜等。

二、 产品使用说明

2.1 密码/随机密码验证开门

开门输入” 4 位密码(随机密码)” ->” #” 即可验证开门，两声长鸣表示验证成功,4声短鸣表示验证失败

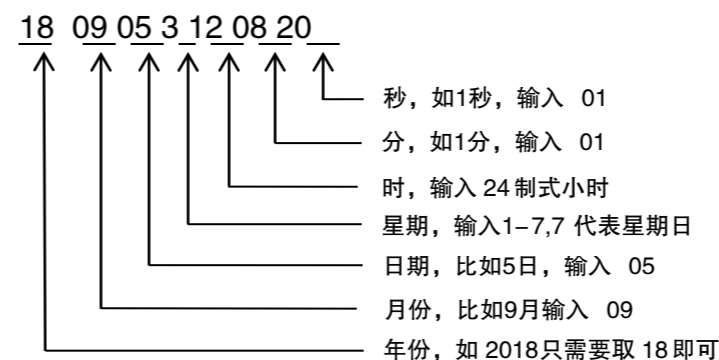
2.2 设置更改密码

依次输入” *” ->” 原4位密码” ->” 新4 位密码” -> “#” ，两声长鸣表示设置成功,4声短鸣表示设置失败

2.3 设置时间

依次输入” ***” ->” 1809053120820” ->“#” ，两声长鸣表示设置成功,4声短鸣表示设置失败

输入时间说明



2.4 生成随机密码

打开手机 APP，选择“生成随机码”，输入锁的原始密码，点击生成9位随机密码即可

三、 电气参数

序号	项目	参数	备注
1	工作电压	DC 12V 纹波 ≤ 10mV	
2	电流	静态 ≤ 30mA 峰值 ≤ 200mA	
3	工作温度	-20-75℃	
4	工作湿度	20-85%且无霜露	



■ 产品使用 Product Instructions

钢芯或钢丝编织带的选择 ----- K03

产品装配步骤、说明：----- K04

开口度产品的正确使用方法 ----- K05

背胶产品的使用说明 ----- K06

泡棉切割胶条尺寸 ----- K07

工厂生产产品所采用的公差等级 ----- K08 ~ K09

产品系列：密封条、密封垫规格齐全，可来样定做 ----- K010

■ 自夹紧式钢带密封条 Self-gripping Sealing Strip With Steel Sheet

MFT-001—MFT-023 ----- K011-K016

■ 自夹紧式钢丝密封条 Self-gripping Sealing Strip With Steel Wire

MF-001—MF-018 ----- K016-K020

■ PVC橡塑装饰条 PVC Trim Strip

MF-019—MF-030 ----- K021-K023

■ 密封胶条 Rubber Sealing Strip

MF-031—MF-032 ----- K024

■ 挤出型三元乙丙海绵胶条 Extruded EPDM Sponge Strip

MFT-025—MFT-054 ----- K025-K033

■ 挤出型三元乙丙密实胶条 Extruded EPDM Dense Strip

MFT-055—MFT-078 ----- K033-K039

■ 常用产品 Common Products

海绵发泡方形密封条/海绵发泡圆形密封条 ----- K039-K040

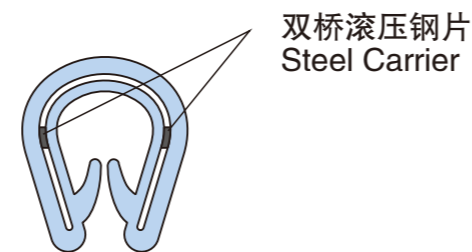
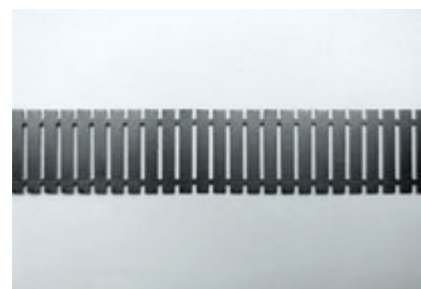
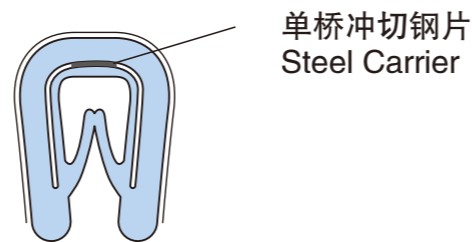
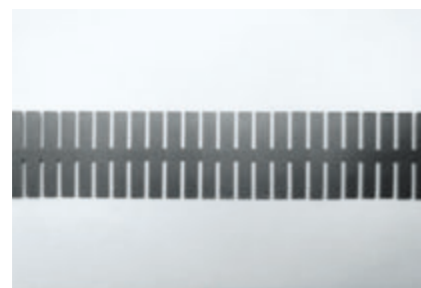
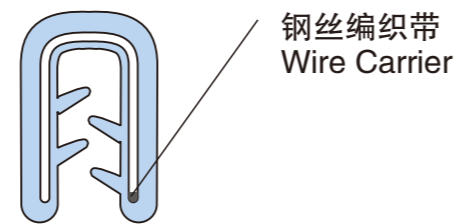
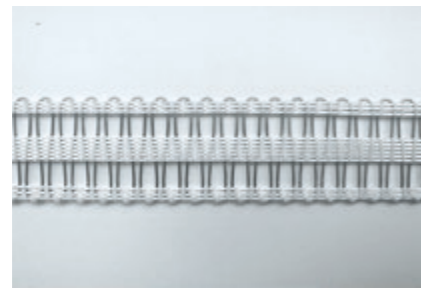
观察窗胶条/电缆穿线护套 ----- K041

发泡半圆胶条/过线胶圈 ----- K042

■ 钢芯或钢丝编织带的选择

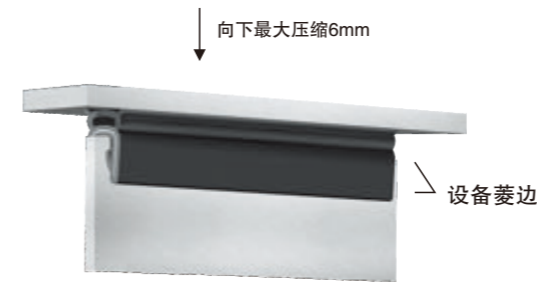
当使用钢芯或者钢丝编织带时，在不使用接续胶带的情况下，棱边保护部分可以紧紧抓住物体，但是，钢芯的夹持效果要比金属丝线送装置更好。

对于带有一个不间断的钢芯的异型材而言，它的缺点是在测刃上弯曲半径会受到限制，这个问题可以通过去掉连续用桥件的方法得到解决。但是，这样又会使绳股上的压力出现轻微的不均匀的现象，对于大多数工程应用而言，这种外观并不会对实际造成太大影响。选择钢芯还是钢丝编织带是由每一种应用情况以及所要求的外观所决定的。

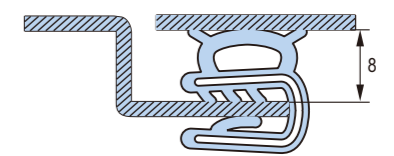
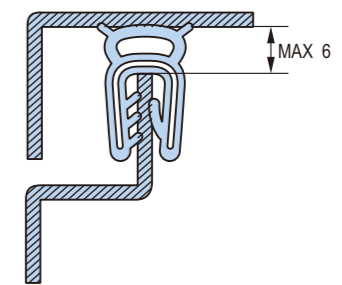
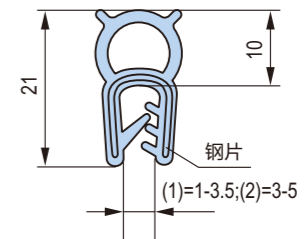
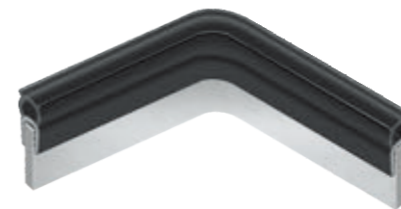


■ 产品装配步骤、说明：

产品系列



90° 直角需要把密封条弯曲安装，如下图：

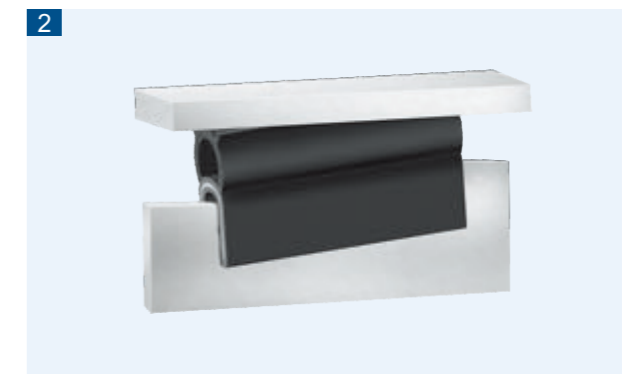


此款密封条主要用于工业机箱柜密封作用，唇形设计，只需稍微压缩便可以完全起到密封作用。

独特的设计可以防止在开门时脱落，并能保持均匀的密封压力。

主要性能如下：温度范围：+120℃至-40℃，耐老化，耐紫外线，臭氧和海洋性气候。

设计参数：钢板尺寸：1.5mm，2.0mm，钢板间距需考虑压缩量。



错误的使用方法描述：

图1、不合理的钢板设计（钢板有料度）；图2、钢板平面呈波浪形。

如果这两种情况，能达到最大压缩量的50%，也是可以达到密封的作用。

类似这样使用是不对的，需要专业的技术指导。

■ 开口度产品的正确使用

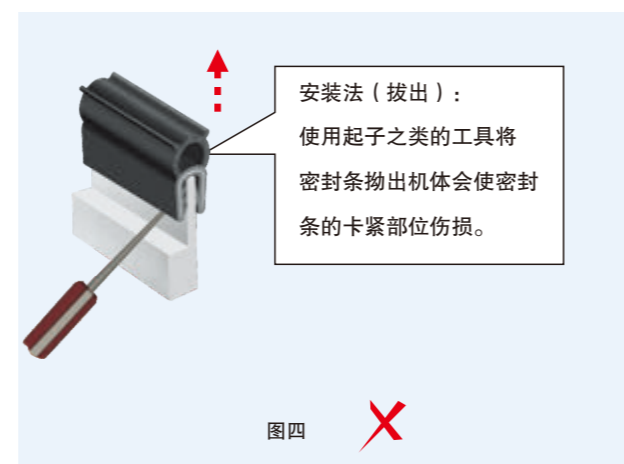
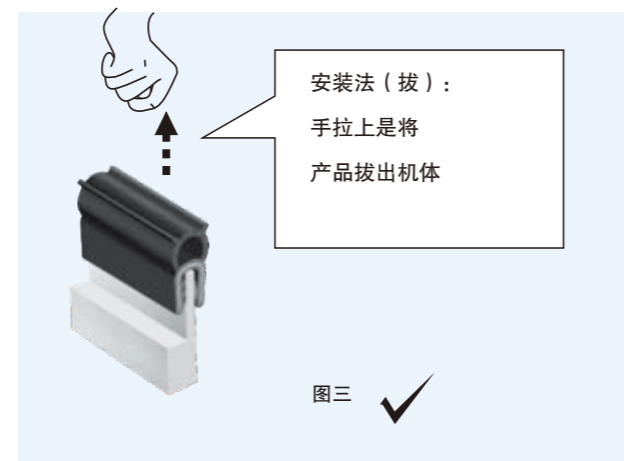
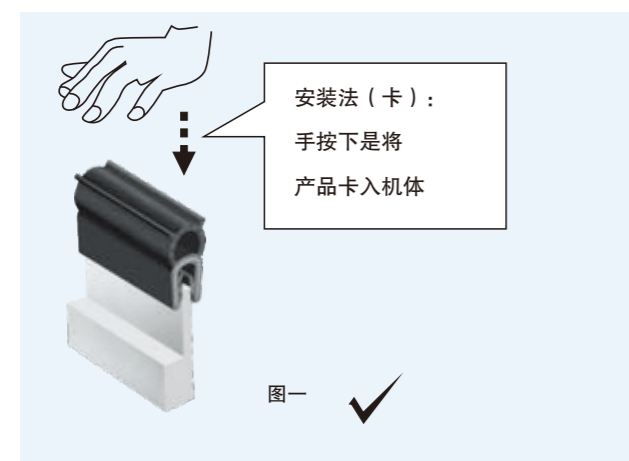
对于有些密封条基底软胶开口部分内嵌钢丝或钢带（钢芯）将产品卡入其内不但保护产品边缘锐利部分，此密封条的泡胶部分还起到了密封作用，此类开口处内嵌钢丝的密封条开口度的确定要通过插入里（N）、拔出里（N）的检测设备进行开口度的数据检测，不可凭借手感。

图例：产品开口度的大小会因装配方式和人员力度的不同而产生误区。

1.内嵌钢丝带的密封条开口度尺寸要使用不同拔插力（N）来检测确定开口度的适用性。如下表

产品开口度	板厚	插入力	拔出力
1.50mm	2.00mm	40N-60N	120N-160N

2.以下是内嵌钢丝带的产品安装图示：



■ 背胶产品的使用说明

使用方法

- 1.清洁粘接基体，保证基体表面清洁、干燥
- 2.对齐粘接基体，将产品平稳粘接于基体表面，请勿用尖锐物体重击表面。
- 3.为增强粘接效果，建议在粘接基体上涂上底涂剂。

注意事项

- 1.粘接基体表面需干净、干燥
- 2.贴附时压力不可太大
- 3.当产品贴于客户基体时不可取下再次利用
- 4.产品在收盘储存时不要随意堆放，以防起皱（如右图所示）

底涂使用

- 1.使用底涂可以有效改善胶带的初粘性和终粘性。
- 2.底涂涂布要均匀。
- 3.涂上底涂后要充分的晾干（室温下 > 5分钟），然后才能进行胶带粘接。

黏贴注意事项



弯曲弧度小粘贴不被推荐
原因：橡胶弧度小伸缩性拉力大，导致双面胶粘不牢翘起。



弯曲弧度大勉强可以
原因：弧度大，伸缩性拉力小，粘力大于伸缩力。



正常储存



起皱



底涂剂



产品使用 Product Use

Product Use 产品使用

泡棉切割胶条尺寸

品名	尺寸		材质						
切割海绵条	厚度	宽度	三元乙丙/EPDM	氯丁/CR	EVA	PE	PVC保温板	Pu海绵	奥普塞罗海绵
切割海绵条	1	10	EPDM-1×10	CR-1×10	EVA-1×10	PE-1×10			
切割海绵条	1	15	EPDM-1×15	CR-1×15	EVA-1×15	PE-1×15			
切割海绵条	1	20	EPDM-1×20	CR-1×20	EVA-1×20	PE-1×20			
切割海绵条	2	10	EPDM-2×10	CR-2×10	EVA-2×10	PE-2×10			
切割海绵条	2	15	EPDM-2×15	CR-2×15	EVA-2×15	PE-2×15			
切割海绵条	2	18	EPDM-2×18	CR-2×18	EVA-2×18	PE-2×18			
切割海绵条	2	20	EPDM-2×20	CR-2×20	EVA-2×20	PE-2×20			
切割海绵条	3	8	EPDM-3×8	CR-3×8	EVA-3×8	PE-3×8			奥普-3×8
切割海绵条	3	10	EPDM-3×10	CR-3×10	EVA-3×10	PE-3×10	PVC-3×10	PU-3×10	奥普-3×10
切割海绵条	3	12	EPDM-3×12	CR-3×12	EVA-3×12	PE-3×12	PVC-3×12	PU-3×12	奥普-3×12
切割海绵条	3	15	EPDM-3×15	CR-3×15	EVA-3×15	PE-3×15	PVC-3×15	PU-3×15	奥普-3×15
切割海绵条	3	20	EPDM-3×20	CR-3×20	EVA-3×20	PE-3×20	PVC-3×20	PU-3×20	奥普-3×20
切割海绵条	3	25	EPDM-3×25	CR-3×25	EVA-3×25	PE-3×25	PVC-3×25	PU-3×25	奥普-3×25
切割海绵条	3	30	EPDM-3×30	CR-3×30	EVA-3×30	PE-3×30	PVC-3×30	PU-3×30	奥普-3×30
切割海绵条	4	10	EPDM-4×10	CR-4×10	EVA-4×10	PE-4×10	PVC-4×10	PU-4×10	奥普-4×10
切割海绵条	4	15	EPDM-4×15	CR-4×15	EVA-4×15	PE-4×15	PVC-4×15	PU-4×15	奥普-4×15
切割海绵条	4	20	EPDM-4×20	CR-4×20	EVA-4×20	PE-4×20	PVC-4×20	PU-4×20	奥普-4×20
切割海绵条	4	25	EPDM-4×25	CR-4×25	EVA-4×25	PE-4×25	PVC-4×25	PU-4×25	奥普-4×25
切割海绵条	4	30	EPDM-4×30	CR-4×30	EVA-4×30	PE-4×30	PVC-4×30	PU-4×30	奥普-4×30
切割海绵条	5	10	EPDM-5×10	CR-5×10	EVA-5×10	PE-5×10	PVC-5×10	PU-5×10	奥普-5×10
切割海绵条	5	15	EPDM-5×15	CR-5×15	EVA-5×15	PE-5×15	PVC-5×15	PU-5×15	奥普-5×15
切割海绵条	5	20	EPDM-5×20	CR-5×20	EVA-5×20	PE-5×20	PVC-5×20	PU-5×20	奥普-5×20
切割海绵条	5	25	EPDM-5×25	CR-5×25	EVA-5×25	PE-5×25	PVC-5×25	PU-5×25	奥普-5×25
切割海绵条	5	30	EPDM-5×30	CR-5×30	EVA-5×30	PE-5×30	PVC-5×30	PU-5×30	奥普-5×30
切割海绵条	6	10	EPDM-6×10	CR-6×10	EVA-6×10	PE-6×10	PVC-6×10	PU-6×10	奥普-6×10
切割海绵条	6	15	EPDM-6×15	CR-6×15	EVA-6×15	PE-6×15	PVC-6×15	PU-6×15	奥普-6×15
切割海绵条	6	20	EPDM-6×20	CR-6×20	EVA-6×20	PE-6×20	PVC-6×20	PU-6×20	奥普-6×20
切割海绵条	6	25	EPDM-6×25	CR-6×25	EVA-6×25	PE-6×25	PVC-6×25	PU-6×25	奥普-6×25
切割海绵条	6	30	EPDM-6×30	CR-6×30	EVA-6×30	PE-6×30	PVC-6×30	PU-6×30	奥普-6×30
切割海绵条	8	10	EPDM-8×10	CR-8×10	EVA-8×10	PE-8×10	PVC-8×10	PU-8×10	奥普-8×10
切割海绵条	8	15	EPDM-8×15	CR-8×15	EVA-8×15	PE-8×15	PVC-8×15	PU-8×15	奥普-8×15
切割海绵条	8	20	EPDM-8×20	CR-8×20	EVA-8×20	PE-8×20	PVC-8×20	PU-8×20	奥普-8×20
切割海绵条	8	25	EPDM-8×25	CR-8×25	EVA-8×25	PE-8×25	PVC-8×25	PU-8×25	奥普-8×25
切割海绵条	8	30	EPDM-8×30	CR-8×30	EVA-8×30	PE-8×30	PVC-8×30	PU-8×30	奥普-8×30
切割海绵条	10	10	EPDM-10×10	CR-10×10	EVA-10×10	PE-10×10	PVC-10×10	PU-10×10	奥普-10×10
切割海绵条	10	15	EPDM-10×15	CR-10×15	EVA-10×15	PE-10×15	PVC-10×15	PU-10×15	奥普-10×15
切割海绵条	10	20	EPDM-10×20	CR-10×20	EVA-10×20	PE-10×20	PVC-10×20	PU-10×20	奥普-10×20
切割海绵条	10	25	EPDM-10×25	CR-10×25	EVA-10×25	PE-10×25	PVC-10×25	PU-10×25	奥普-10×25
切割海绵条	10	30	EPDM-10×30	CR-10×30	EVA-10×30	PE-10×30	PVC-10×30	PU-10×30	奥普-10×30

备注：
 一、以上尺寸为常用规格，可按照客户需求定制其他尺寸。
 二、胶条背面可贴白色棉质胶带、纤维网格胶带、皇冠513胶带和3M9448A等，另可根据客户需求定制。
 三、在有量的情况下，EPDM、CR、EVA、PE、PVC、PU海绵（10毫米以下）可做成10米长；少量的情况下只可做成2米长。PU海绵（10毫米以上）和奥普塞罗海绵只可做成2米长。
 四、以上材质都可以冲压成圆环、圆、方块、椭圆等各种异性产品，具体详见产品图。

工厂生产产品所采用的公差等级

下列从各种不同标准中汇编而成的公差等级主要用于快速指定允许的尺寸偏差。这些公差等级不适用于公差已经固定的图纸。

根据DIN ISO 3302-1E2标准固化软橡胶异型材（横截面）

标称范围 单位：毫米		+/-毫米	
	up to	1.5	0.25
>	1.5 to	2.5	0.35
>	2.5 to	4.0	0.40
>	4.0 to	6.3	0.50
>	6.3 to	10.0	0.70
>	10.0 to	16.0	0.80
>	16.0 to	25.0	1.00
>	25.0 to	40.0	1.30
>	40.0 to	63.0	1.60
>	63.0 to	100.0	2.00

根据DIN ISO 3302-1L3标准,用于订制长度（橡胶）的公差

标称范围 单位：毫米		+/-毫米	
	up to	40	1.6
>	40 to	63	2.0
>	63 to	100	2.5
>	100 to	160	3.2
>	160 to	250	4.0
>	250 to	400	5.0
>	400 to	630	6.3
>	630 to	1000	10.0
>	1000 to	1600	12.5
>	1600 to	2500	16.0
>	2500 to	4000	20.0
>	4000 to		0.50%

根据DIN ISO 3302-1E2标准的海绵橡胶（横截面）

标称范围 单位：毫米		+/-毫米	
	up to	1.5	0.40
>	1.5 to	2.5	0.50
>	2.5 to	4.0	0.70
>	4.0 to	6.3	0.80
>	6.3 to	10.0	1.00
>	10.0 to	16.0	1.30
>	16.0 to	25.0	1.60
>	25.0 to	40.0	2.00
>	40.0 to	63.0	2.50
>	63.0 to	100.0	3.2

下列从各种不同标准中汇编而成的公差等级主要用于快速指定允许的尺寸偏差。这些公差等级不适用于公差已经固定的图纸。

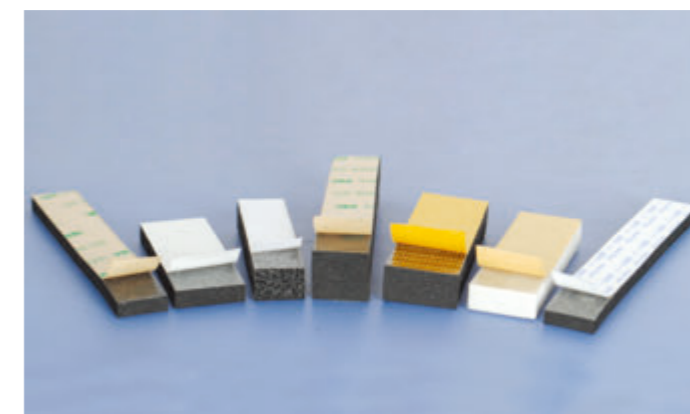
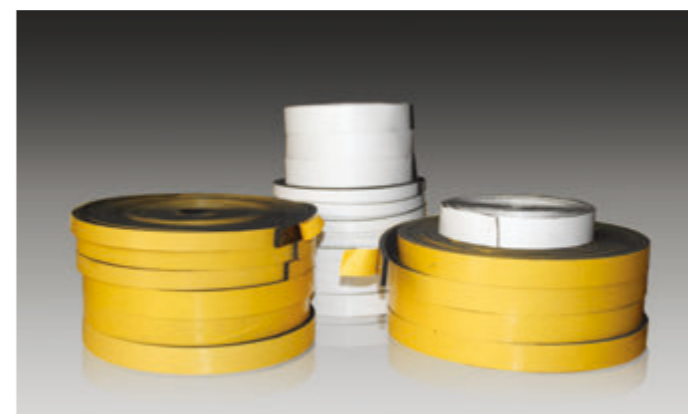
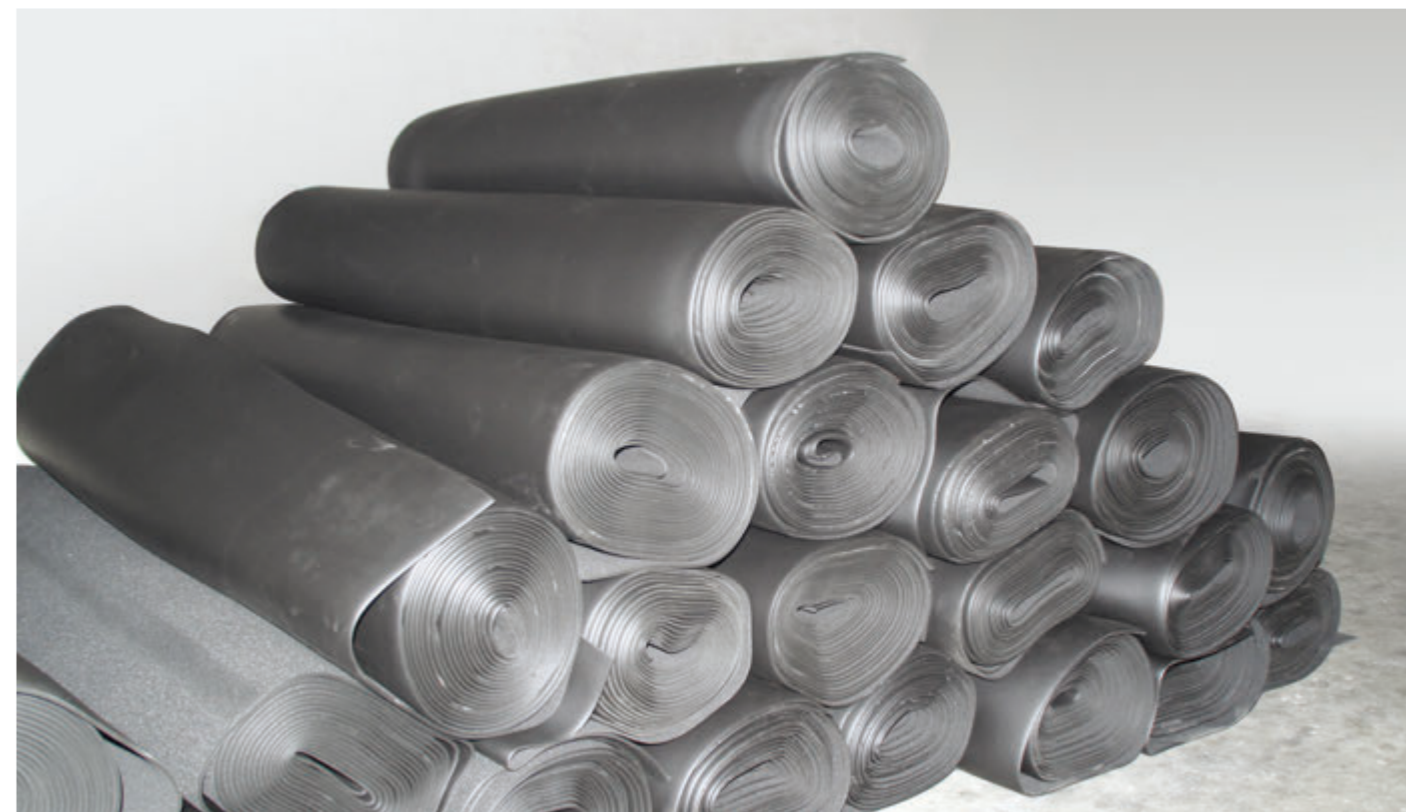
根据DIN 16941 3A and 3B 标准的 PVC 异型材 (横截面)

标称范围 单位: 毫米				+/-毫米
	up to	3		0.4
>	3	to	6	0.6
>	6	to	10	0.7
>	10	to	18	0.8
>	18	to	30	1.0
>	30	to	50	1.2
>	50	to	80	1.5
>	80	to	120	1.9
>	120	to	180	2.3
>	180	to	250	2.8
>	250	to	320	3.5
>	320			1.4%

根据DIN 16941 4B 标准, 用于订制长度 (PVC) 的公差

标称范围 单位: 毫米				+/-毫米
	up to	400		5.0
>	400	to	1000	10.0
>	1000	to	2500	20.0
>	2500	to	6000	30.0
>	6000	to		2%

产品系列: 密封条、密封垫规格齐全, 可来样定做



A拉手系列
Handles
series

B平面锁系列
Plane lock
series

C连杆锁系列
Rod control
series

D面板锁系列
Plane lock
series

E执手锁系列
Handle lock
series

F转舌锁系列
Cam lock
series

G铰链系列
Hinge
series

H搭扣锁系列
Toggle lock
series

I门销系列
Door bolt
series

J电子锁系列
Electronic
lock series

K密封条系列
Gasketing
series

L限位系列
Door stop
series

M附件系列
Accessories
series

N不锈钢件系列
Stainless steel
series

索引
Index

A拉手系列
Handles
series

B平面锁系列
Plane lock
series

C连杆锁系列
Rod control
series

D面板锁系列
Plane lock
series

E执手锁系列
Handle lock
series

F转舌锁系列
Cam lock
series

G铰链系列
Hinge
series

H搭扣锁系列
Toggle lock
series

I门销系列
Door bolt
series

J电子锁系列
Electronic
lock series

K密封条系列
Gasketing
series

L限位系列
Door stop
series

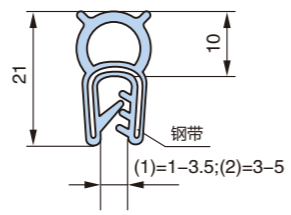
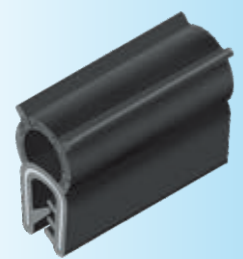
M附件系列
Accessories
series

N不锈钢件系列
Stainless steel
series

索引
Index

MFT-001

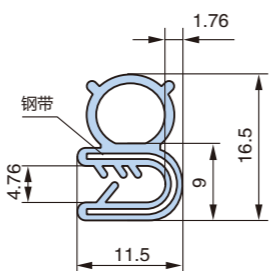
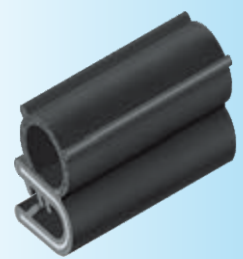
自夹紧式钢带密封条 Self-gripping Sealing Strip with Steel Sheet



MFT-001	黑色三元乙丙钢带密封条 Black EPDM sealing strip(with steel sheet)
---------	--

MFT-002

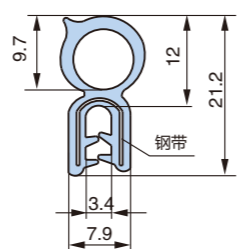
自夹紧式钢带密封条 Self-gripping Sealing Strip with Steel Sheet



MFT-002	黑色三元乙丙钢带密封条 Black EPDM sealing strip(with steel sheet)
---------	--

MFT-003

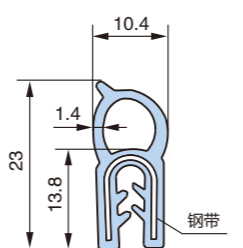
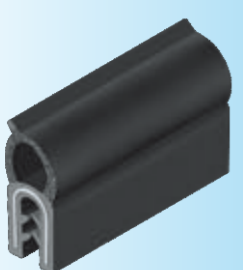
自夹紧式钢带密封条 Self-gripping Sealing Strip with Steel Sheet



MFT-003	黑色三元乙丙钢带密封条 Black EPDM sealing strip(with steel sheet)
---------	--

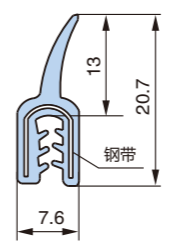
MFT-005

自夹紧式钢带密封条 Self-gripping Sealing Strip with Steel Sheet



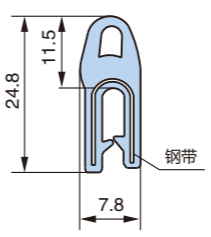
MFT-005	黑色三元乙丙钢带密封条 Black EPDM sealing strip(with steel sheet)
---------	--

Self-gripping Sealing Strip with Steel Sheet 自夹紧式钢带密封条



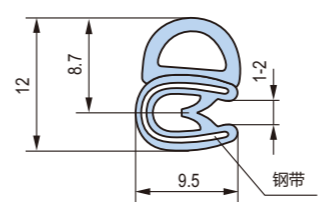
MFT-006	黑色三元乙丙钢带密封条 Black EPDM sealing strip(with steel sheet)
---------	--

Self-gripping Sealing Strip with Steel Sheet 自夹紧式钢带密封条



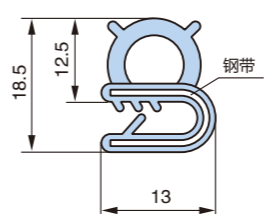
MFT-007	黑色三元乙丙钢带密封条 Black EPDM sealing strip(with steel sheet)
---------	--

Self-gripping Sealing Strip with Steel Sheet 自夹紧式钢带密封条



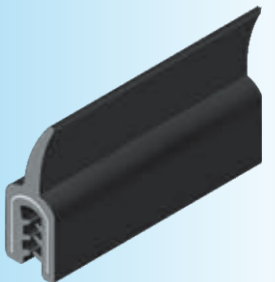
MFT-008	黑色三元乙丙钢带密封条 Black EPDM sealing strip(with steel sheet)
---------	--

Self-gripping Sealing Strip with Steel Sheet 自夹紧式钢带密封条

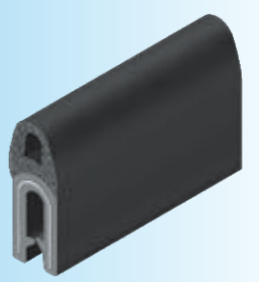


MFT-009	黑色三元乙丙钢带密封条 Black EPDM sealing strip(with steel sheet)
---------	--

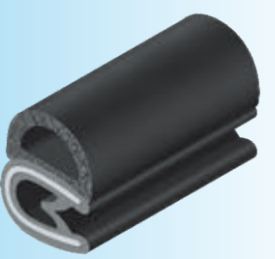
MFT-006



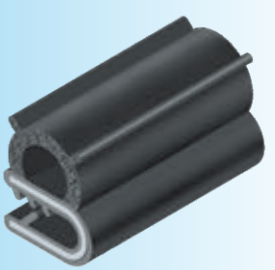
MFT-007



MFT-008



MFT-009



A拉手系列
Handles series

B平面锁系列
Plane lock series

C连杆锁系列
Rod control series

D面板锁系列
Plane lock series

E执手锁系列
Handle lock series

F转舌锁系列
Cam lock series

G铰链系列
Hinge series

H搭扣锁系列
Toggle lock series

I门销系列
Door bolt series

J电子锁系列
Electronic lock series

K密封条系列
Gasketing series

L限位系列
Door stop series

M附件系列
Accessories series

N不锈钢件系列
Stainless steel series

索引
Index

A拉手系列
Handles series

B平面锁系列
Plane lock series

C连杆锁系列
Rod control series

D面板锁系列
Plane lock series

E执手锁系列
Handle lock series

F转舌锁系列
Cam lock series

G铰链系列
Hinge series

H搭扣锁系列
Toggle lock series

I门销系列
Door bolt series

J电子锁系列
Electronic lock series

K密封条系列
Gasketing series

L限位系列
Door stop series

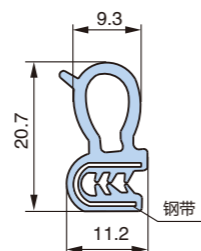
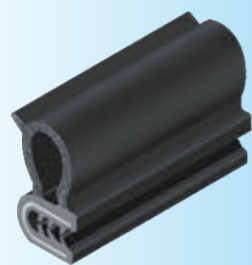
M附件系列
Accessories series

N不锈钢件系列
Stainless steel series

索引
Index

MFT-010

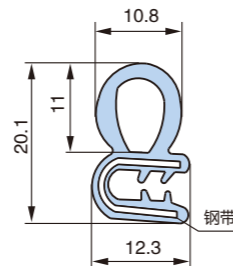
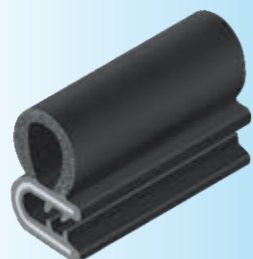
自夹紧式钢带密封条 Self-gripping Sealing Strip with Steel Sheet



MFT-010	黑色三元乙丙钢带密封条 Black EPDM sealing strip(with steel sheet)
---------	--

MFT-011

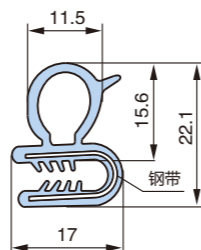
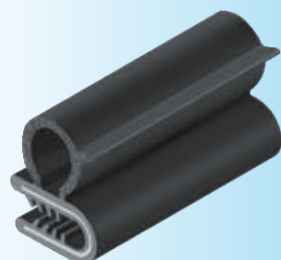
自夹紧式钢带密封条 Self-gripping Sealing Strip with Steel Sheet



MFT-011	黑色三元乙丙钢带密封条 Black EPDM sealing strip(with steel sheet)
---------	--

MFT-012

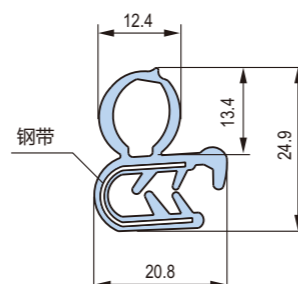
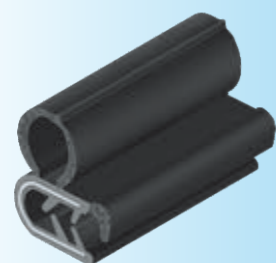
自夹紧式钢带密封条 Self-gripping Sealing Strip with Steel Sheet



MFT-012	黑色三元乙丙钢带密封条 Black EPDM sealing strip(with steel sheet)
---------	--

MFT-013

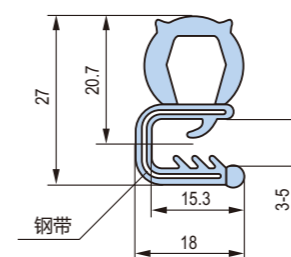
自夹紧式钢带密封条 Self-gripping Sealing Strip with Steel Sheet



MFT-013	黑色三元乙丙钢带密封条 Black EPDM sealing strip(with steel sheet)
---------	--

Self-gripping Sealing Strip with Steel Sheet 自夹紧式钢带密封条

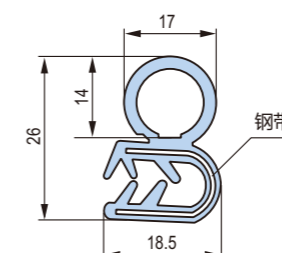
MFT-014



MFT-014	黑色三元乙丙钢带密封条 Black EPDM sealing strip(with steel sheet)
---------	--

Self-gripping Sealing Strip with Steel Sheet 自夹紧式钢带密封条

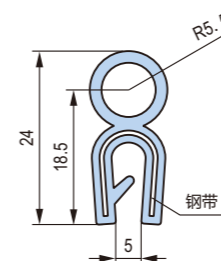
MFT-015



MFT-015	黑色三元乙丙钢带密封条 Black EPDM sealing strip(with steel sheet)
---------	--

Self-gripping Sealing Strip with Steel Sheet 自夹紧式钢带密封条

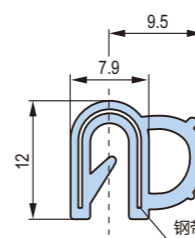
MFT-017



MFT-017	黑色三元乙丙钢带密封条 Black EPDM sealing strip(with steel sheet)
---------	--

Self-gripping Sealing Strip with Steel Sheet 自夹紧式钢带密封条

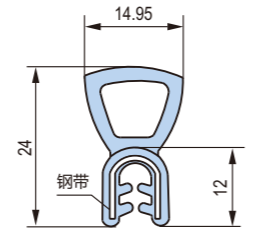
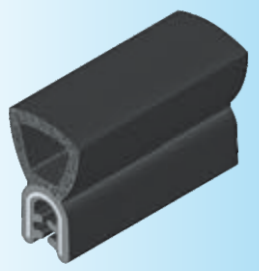
MFT-018



MFT-018	黑色三元乙丙钢带密封条 Black EPDM sealing strip(with steel sheet)
---------	--

MFT-019

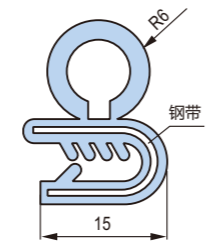
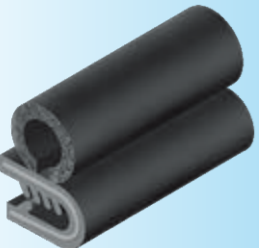
自夹紧式钢带密封条 Self-gripping Sealing Strip with Steel Sheet



MFT-019	黑色三元乙丙钢带密封条 Black EPDM sealing strip(with steel sheet)
---------	--

MFT-020

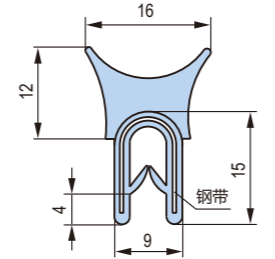
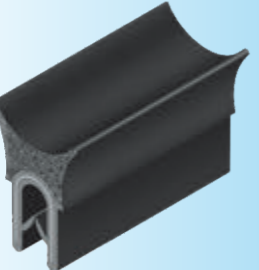
自夹紧式钢带密封条 Self-gripping Sealing Strip with Steel Sheet



MFT-020	黑色三元乙丙钢带密封条 Black EPDM sealing strip(with steel sheet)
---------	--

MFT-021

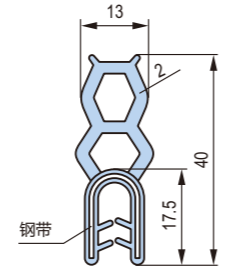
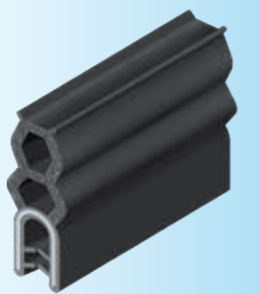
自夹紧式钢带密封条 Self-gripping Sealing Strip with Steel Sheet



MFT-021	黑色三元乙丙钢带密封条 Black EPDM sealing strip(with steel sheet)
---------	--

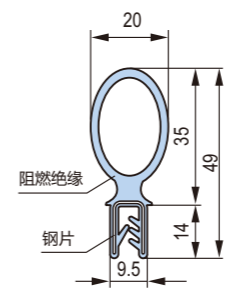
MFT-022

自夹紧式钢带密封条 Self-gripping Sealing Strip with Steel Sheet



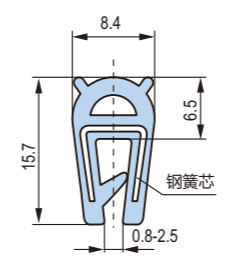
MFT-022	黑色三元乙丙钢带密封条 Black EPDM sealing strip(with steel sheet)
---------	--

Self-gripping Sealing Strip with Steel Sheet 自夹紧式钢片密封条



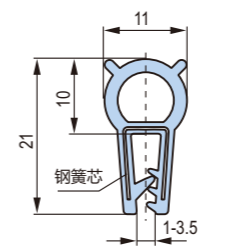
MFT-023	黑色三元乙丙钢片密封条 Black EPDM sealing strip(with steel sheet)
---------	--

Self-gripping Sealing Strip with Steel wire 自夹紧式钢丝密封条



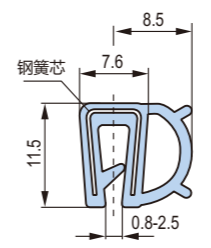
MF-001	黑色三元乙丙钢丝胶条 Black EPDM steel wire strip
--------	--

Self-gripping Sealing Strip with Steel wire 自夹紧式钢丝密封条



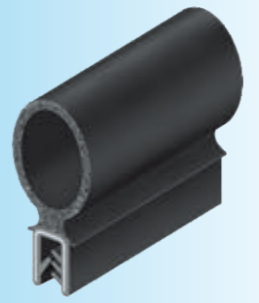
MF-002	黑色三元乙丙钢丝胶条 Black EPDM steel wire strip
--------	--

Self-gripping Sealing Strip with Steel wire 自夹紧式钢丝密封条

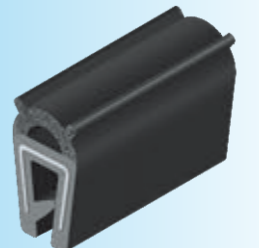


MF-003	黑色三元乙丙钢丝胶条 Black EPDM steel wire strip
--------	--

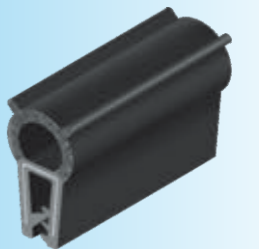
MFT-023



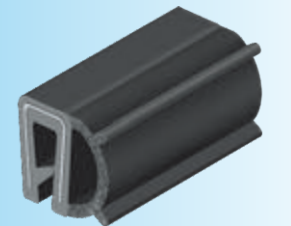
MF-001



MF-002

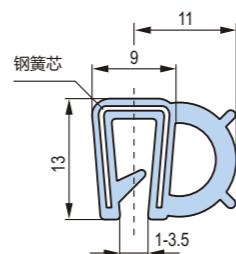
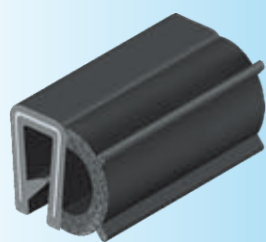


MF-003



MF-004

自夹紧式钢丝密封条 Self-gripping Sealing Strip with Steel wire

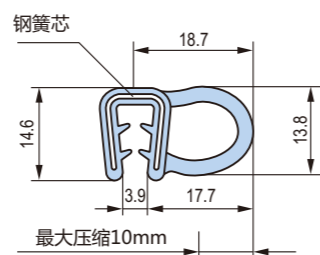
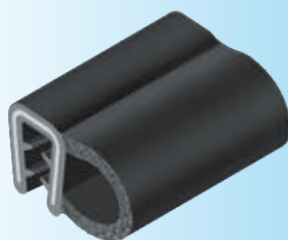


MF-004

黑色三元乙丙钢丝胶条 Black EPDM steel wire strip

MF-005

自夹紧式钢丝密封条 Self-gripping Sealing Strip with Steel wire

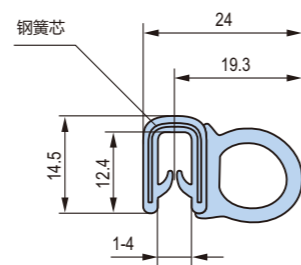
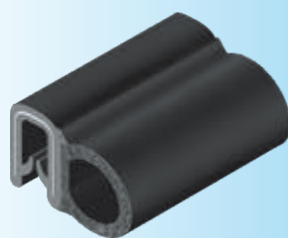


MF-005

黑色三元乙丙钢丝胶条 Black EPDM steel wire strip

MF-006

自夹紧式钢丝密封条 Self-gripping Sealing Strip with Steel wire

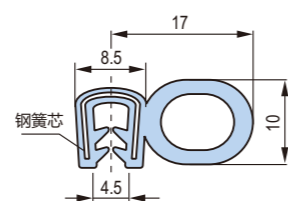
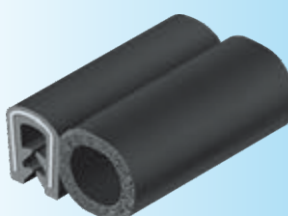


MF-006

黑色三元乙丙钢丝胶条 Black EPDM steel wire strip

MF-007

自夹紧式钢丝密封条 Self-gripping Sealing Strip with Steel wire

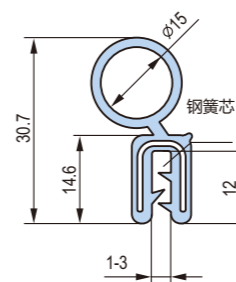


MF-007

黑色三元乙丙钢丝胶条 Black EPDM steel wire strip

Self-gripping Sealing Strip with Steel wire 自夹紧式钢丝密封条

MF-008

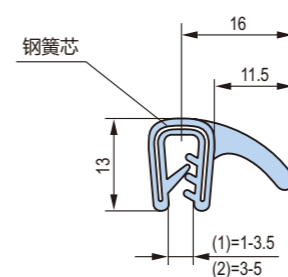


MF-008

黑色三元乙丙钢丝胶条 Black EPDM steel wire strip

Self-gripping Sealing Strip with Steel wire 自夹紧式钢丝密封条

MF-009

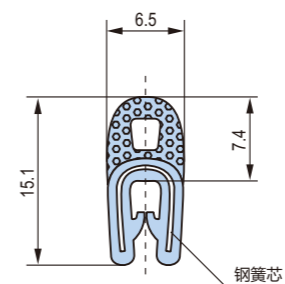


MF-009

黑色三元乙丙钢丝胶条 Black EPDM steel wire strip

Self-gripping Sealing Strip with Steel wire 自夹紧式钢丝密封条

MF-010

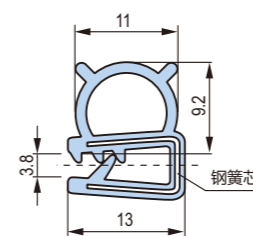


MF-010

黑色三元乙丙钢丝胶条 Black EPDM steel wire strip

Self-gripping Sealing Strip with Steel wire 自夹紧式钢丝密封条

MF-011

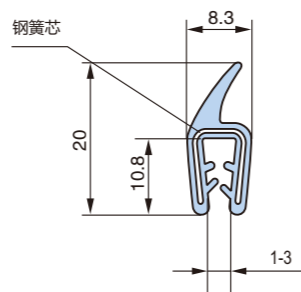
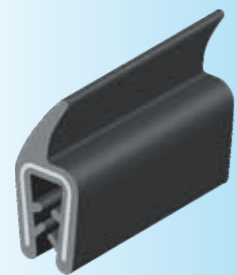


MF-011

黑色三元乙丙钢丝胶条 Black EPDM steel wire strip

MF-012

自夹紧式钢丝密封条 Self-gripping Sealing Strip with Steel wire

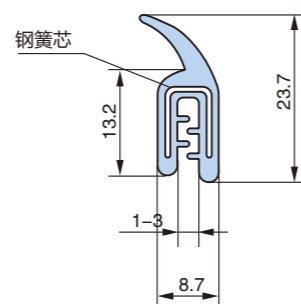
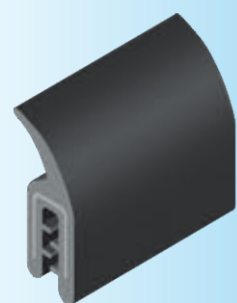


MF-012

黑色三元乙丙钢丝胶条 Black EPDM steel wire strip

MF-013

自夹紧式钢丝密封条 Self-gripping Sealing Strip with Steel wire

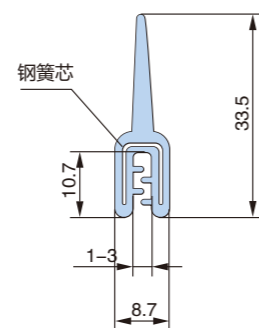
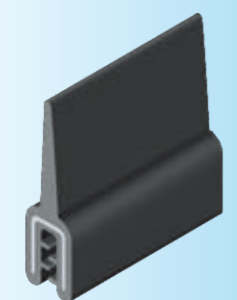


MF-013

黑色三元乙丙钢丝胶条 Black EPDM steel wire strip

MF-014

自夹紧式钢丝密封条 Self-gripping Sealing Strip with Steel wire

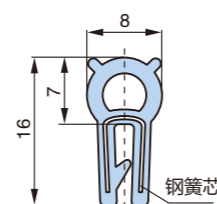
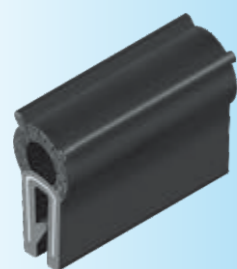


MF-014

黑色三元乙丙钢丝胶条 Black EPDM steel wire strip

MF-015

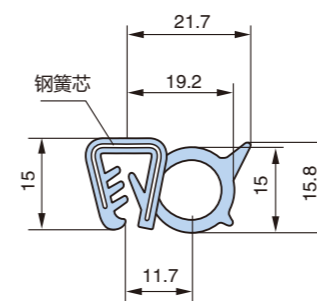
自夹紧式钢丝密封条 Self-gripping Sealing Strip with Steel wire



MF-015

黑色三元乙丙钢丝胶条 Black EPDM steel wire strip

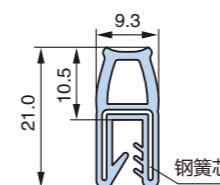
Self-gripping Sealing Strip with Steel wire 自夹紧式钢丝密封条



MF-016

黑色三元乙丙钢丝胶条 Black EPDM steel wire strip

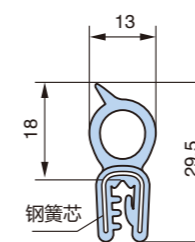
Self-gripping Sealing Strip with Steel wire 自夹紧式钢丝密封条



MF-017

黑色三元乙丙钢丝胶条 Black EPDM steel wire strip

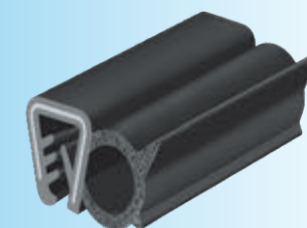
Self-gripping Sealing Strip with Steel wire 自夹紧式钢丝密封条



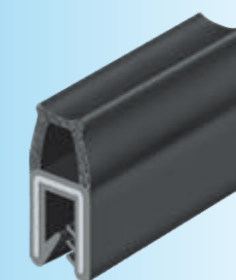
MF-018

黑色三元乙丙钢丝胶条 Black EPDM steel wire strip

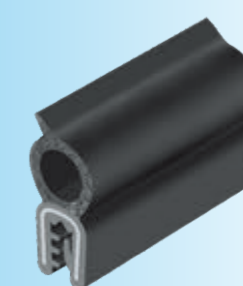
MF-016



MF-017



MF-018



A拉手系列
Handles series

B平面锁系列
Plane lock series

C连杆锁系列
Rod control series

D面板锁系列
Plane lock series

E执手锁系列
Handle lock series

F转舌锁系列
Cam lock series

G铰链系列
Hinge series

H搭扣锁系列
Toggle lock series

I门销系列
Door bolt series

J电子锁系列
Electronic lock series

K密封条系列
Gasketing series

L限位系列
Door stop series

M附件系列
Accessories series

N不锈钢件系列
Stainless steel series

索引
Index

A拉手系列
Handles series

B平面锁系列
Plane lock series

C连杆锁系列
Rod control series

D面板锁系列
Plane lock series

E执手锁系列
Handle lock series

F转舌锁系列
Cam lock series

G铰链系列
Hinge series

H搭扣锁系列
Toggle lock series

I门销系列
Door bolt series

J电子锁系列
Electronic lock series

K密封条系列
Gasketing series

L限位系列
Door stop series

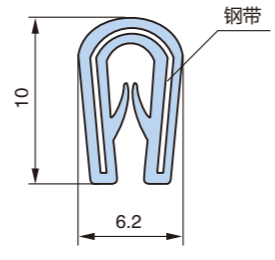
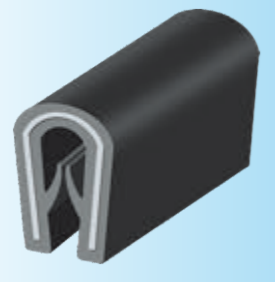
M附件系列
Accessories series

N不锈钢件系列
Stainless steel series

索引
Index

MF-019

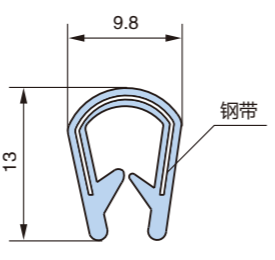
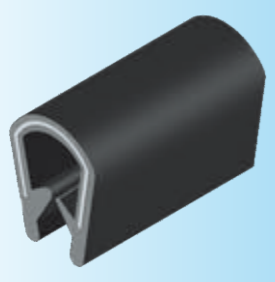
PVC橡塑装饰条 PVC Trim Strip



MF-019	PVC橡塑装饰条 PVC trim strip
--------	-------------------------

MF-020

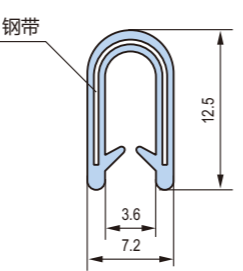
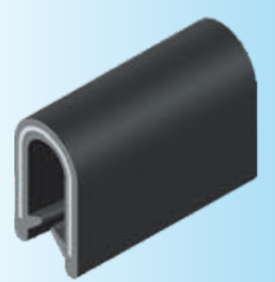
PVC橡塑装饰条 PVC Trim Strip



MF-020	PVC橡塑装饰条 PVC trim strip
--------	-------------------------

MF-021

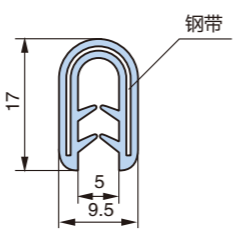
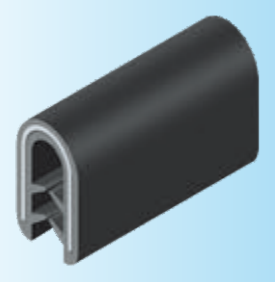
PVC橡塑装饰条 PVC Trim Strip



MF-021	PVC橡塑装饰条 PVC trim strip
--------	-------------------------

MF-022

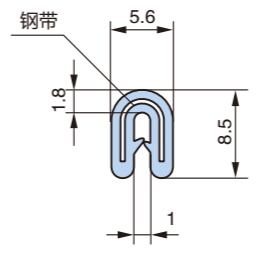
PVC橡塑装饰条 PVC Trim Strip



MF-022	PVC橡塑装饰条 PVC trim strip
--------	-------------------------

PVC Trim Strip PVC橡塑装饰条

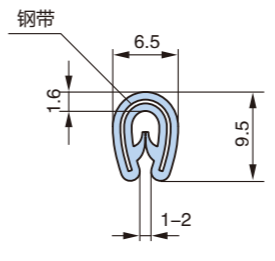
MF-023



MF-023	PVC橡塑装饰条 PVC trim strip
--------	-------------------------

PVC Trim Strip PVC橡塑装饰条

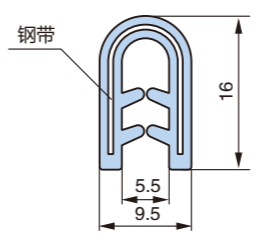
MF-024



MF-024	PVC橡塑装饰条 PVC trim strip
--------	-------------------------

PVC Trim Strip PVC橡塑装饰条

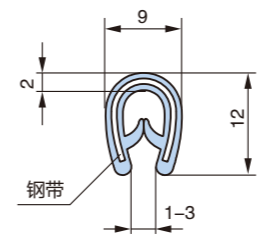
MF-025



MF-025	PVC橡塑装饰条 PVC trim strip
--------	-------------------------

PVC Trim Strip PVC橡塑装饰条

MF-026



MF-026	PVC橡塑装饰条 PVC trim strip
--------	-------------------------

A拉手系列
Handles series

B平面锁系列
Plane lock series

C连杆锁系列
Rod control series

D面板锁系列
Plane lock series

E执手锁系列
Handle lock series

F转舌锁系列
Cam lock series

G铰链系列
Hinge series

H搭扣锁系列
Toggle lock series

I门销系列
Door bolt series

J电子锁系列
Electronic lock series

K密封条系列
Gasketing series

L限位系列
Door stop series

M附件系列
Accessories series

N不锈钢件系列
Stainless steel series

索引
Index

A拉手系列
Handles series

B平面锁系列
Plane lock series

C连杆锁系列
Rod control series

D面板锁系列
Plane lock series

E执手锁系列
Handle lock series

F转舌锁系列
Cam lock series

G铰链系列
Hinge series

H搭扣锁系列
Toggle lock series

I门销系列
Door bolt series

J电子锁系列
Electronic lock series

K密封条系列
Gasketing series

L限位系列
Door stop series

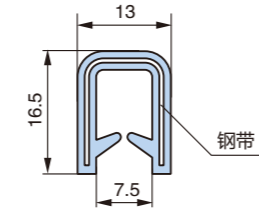
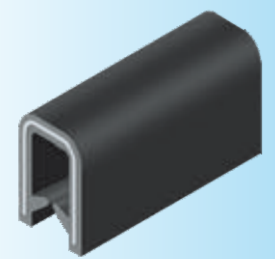
M附件系列
Accessories series

N不锈钢件系列
Stainless steel series

索引
Index

MF-027

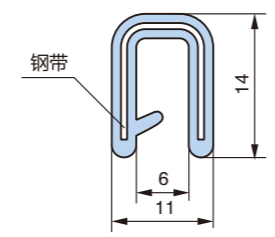
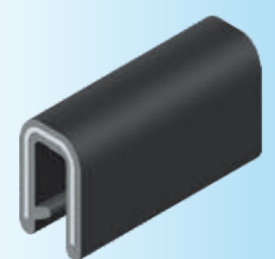
PVC橡塑装饰条 PVC Trim Strip



MF-027	PVC橡塑装饰条 PVC trim strip
--------	-------------------------

MF-028

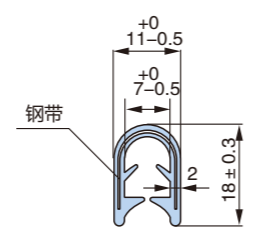
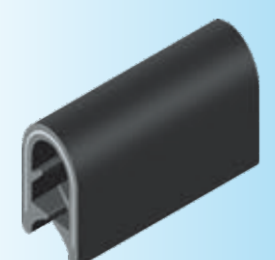
PVC橡塑装饰条 PVC Trim Strip



MF-028	PVC橡塑装饰条 PVC trim strip
--------	-------------------------

MF-029

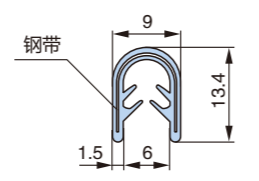
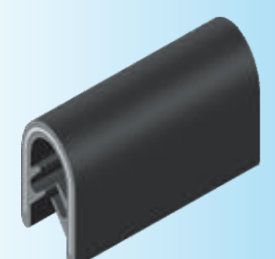
PVC橡塑装饰条 PVC Trim Strip



MF-029	PVC橡塑装饰条 PVC trim strip
--------	-------------------------

MF-030

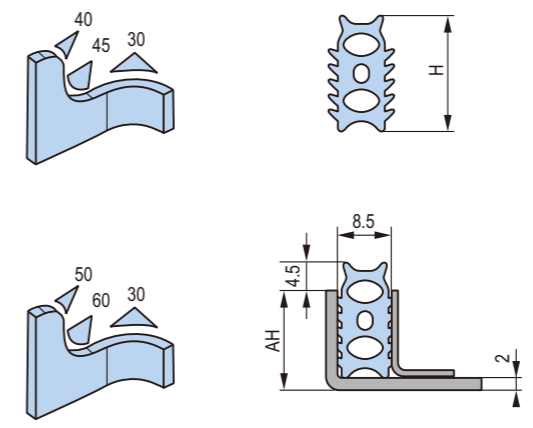
PVC橡塑装饰条 PVC Trim Strip



MF-030	PVC橡塑装饰条 PVC trim strip
--------	-------------------------

Rubber Sealing Strip 密封胶条

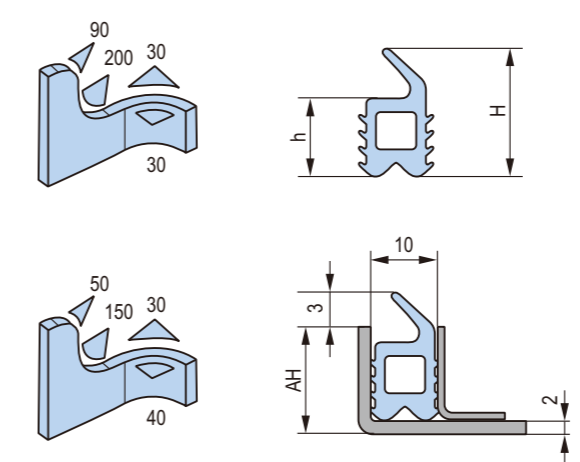
MF-031



黑色发泡EPDM唇型密封胶条, 肖氏硬度25°					
代号	AH	高度H	代号	AH	高度H
MF-031	16	18.5	MF-031	22	24.5
MF-031	18	20.5	MF-031	24	26.5
MF-031	20	22.5	MF-031	26	28.5

Rubber Sealing Strip 密封胶条

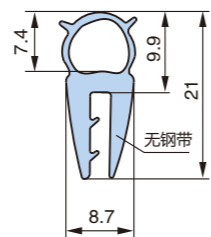
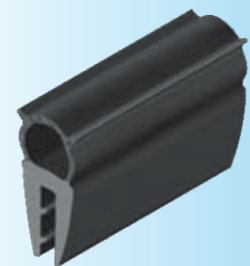
MF-032



黑色CR EPDM唇型密封胶条, 肖氏硬度A 55°									
代号	AH	H	h	个数	代号	AH	H	H	个数
MF-032	16	17	9.5	1	MF-032	20	21	13.5	2
MF-032	18	19	11.5	1	MF-032	26	27	19.5	3

MFT-004

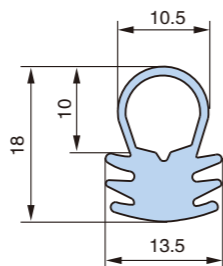
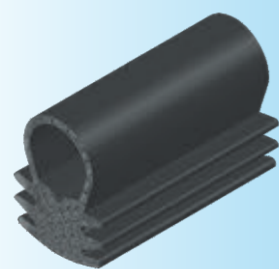
黑色三元乙丙无钢带密封条 Black EPDM sealing strip(no steel sheet)



MFT-004 黑色三元乙丙无钢带密封条 Black EPDM sealing strip(no steel sheet)

MFT-016

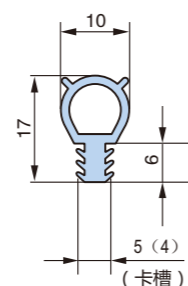
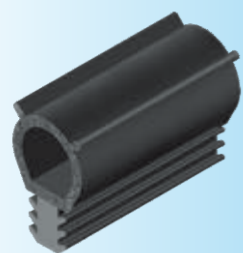
黑色三元乙丙密实发泡密封条 Black EPDM sealing strip



MFT-016 黑色三元乙丙密实发泡密封条 Black EPDM sealing strip

MFT-024

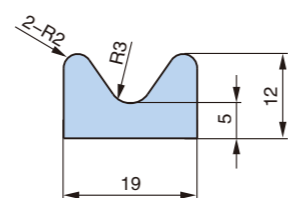
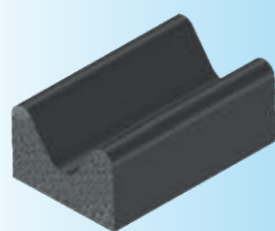
黑色三元乙丙密封条 Black EPDM sealing strip



MFT-024 黑色三元乙丙密封条 Black EPDM sealing strip

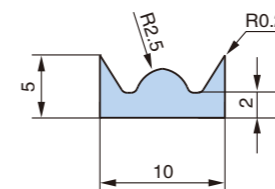
MFT-025

挤出型三元乙丙海绵胶条 Extruded EPDM Sponge Strip



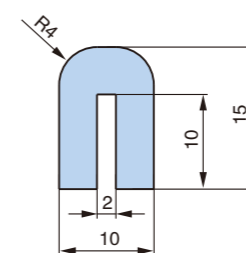
MFT-025 黑色三元乙丙海绵胶条 Black EPDM Sponge Strip

Extruded EPDM Sponge Strip 挤出型三元乙丙海绵胶条



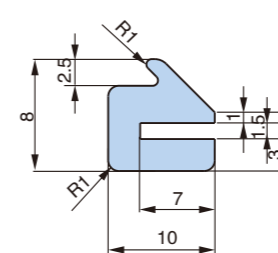
MFT-026 黑色三元乙丙海绵胶条 Black EPDM Sponge Strip

Extruded EPDM Sponge Strip 挤出型三元乙丙海绵胶条



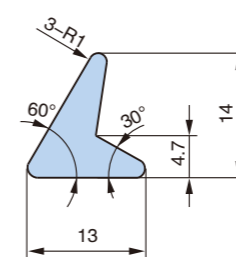
MFT-027 黑色三元乙丙海绵胶条 Black EPDM Sponge Strip

Extruded EPDM Sponge Strip 挤出型三元乙丙海绵胶条



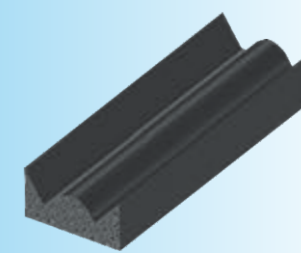
MFT-028 Black EPDM Sponge Strip

Extruded EPDM Sponge Strip 挤出型三元乙丙海绵胶条

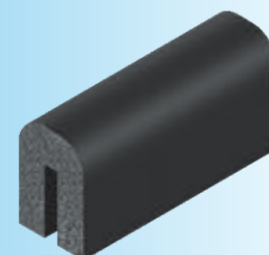


MFT-029 黑色三元乙丙海绵胶条 Black EPDM Sponge Strip

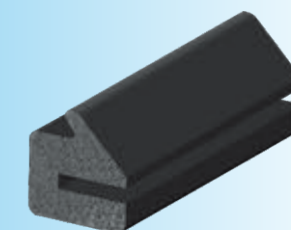
MFT-026



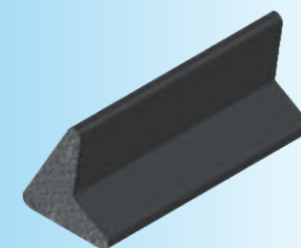
MFT-027



MFT-028

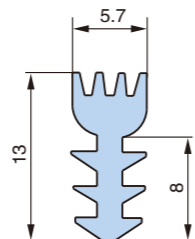
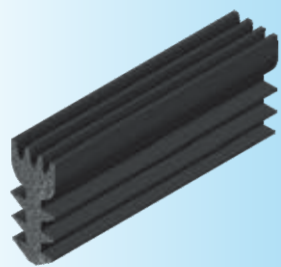


MFT-029



MFT-030

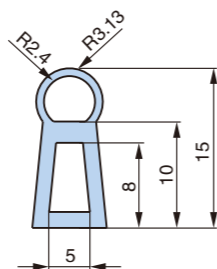
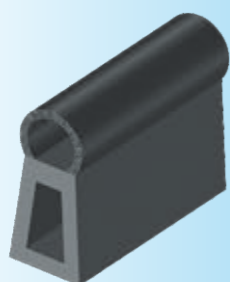
挤出型三元乙丙海绵胶条 Extruded EPDM Sponge Strip



MFT-030	黑色三元乙丙海绵胶条 Black EPDM Sponge Strip
---------	------------------------------------

MFT-031

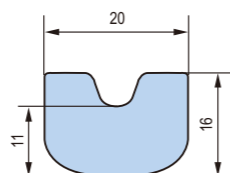
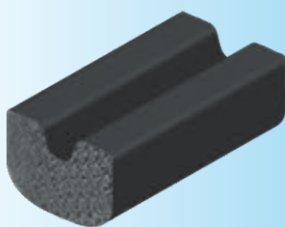
挤出型三元乙丙海绵胶条 Extruded EPDM Sponge Strip



MFT-031	黑色三元乙丙海绵胶条 Black EPDM Sponge Strip
---------	------------------------------------

MFT-032

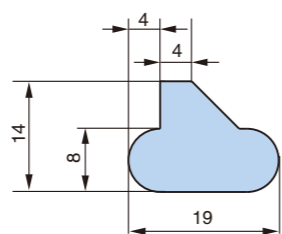
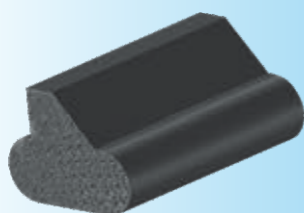
挤出型三元乙丙海绵胶条 Extruded EPDM Sponge Strip



MFT-032	黑色三元乙丙海绵胶条 Black EPDM Sponge Strip
---------	------------------------------------

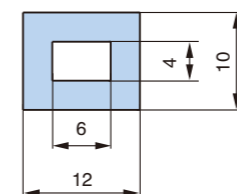
MFT-033

挤出型三元乙丙海绵胶条 Extruded EPDM Sponge Strip



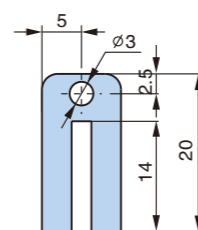
MFT-033	黑色三元乙丙海绵胶条 Black EPDM Sponge Strip
---------	------------------------------------

挤出型三元乙丙海绵胶条 Extruded EPDM Sponge Strip



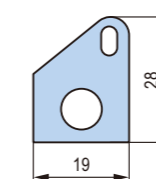
MFT-034	黑色三元乙丙海绵胶条 Black EPDM Sponge Strip
---------	------------------------------------

挤出型三元乙丙海绵胶条 Extruded EPDM Sponge Strip



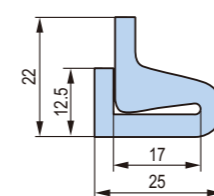
MFT-035	黑色三元乙丙海绵胶条 Black EPDM Sponge Strip
---------	------------------------------------

挤出型三元乙丙海绵胶条 Extruded EPDM Sponge Strip



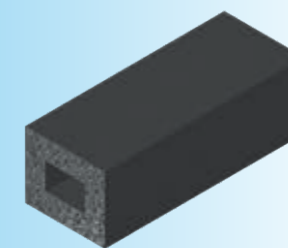
MFT-036	黑色三元乙丙海绵胶条 Black EPDM Sponge Strip
---------	------------------------------------

挤出型三元乙丙海绵胶条 Extruded EPDM Sponge Strip

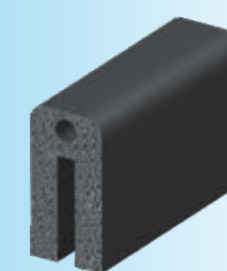


MFT-037	黑色三元乙丙海绵胶条 Black EPDM Sponge Strip
---------	------------------------------------

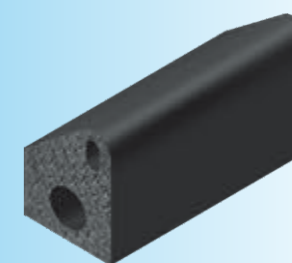
MFT-034



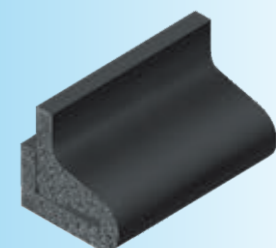
MFT-035



MFT-036

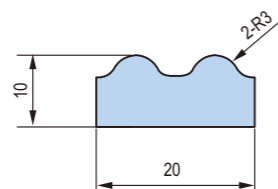
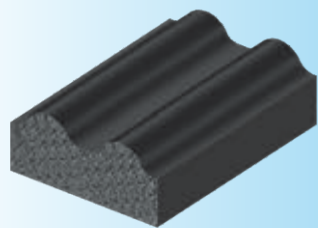


MFT-037



MFT-038

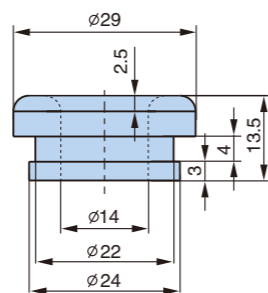
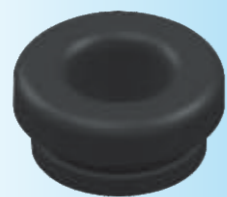
挤出型三元乙丙海绵胶条 Extruded EPDM Sponge Strip



MFT-038 黑色三元乙丙海绵胶条 Black EPDM Sponge Strip

MFT-039

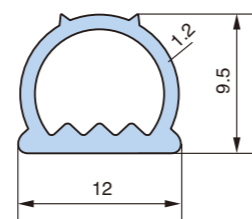
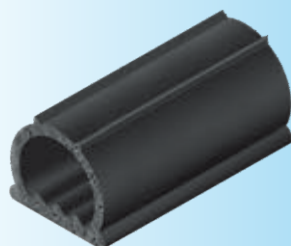
EPDM密封胶圈 EPDM Sealing O-ring



MFT-039 EPDM密封胶圈 EPDM Sealing O-ring

MFT-040

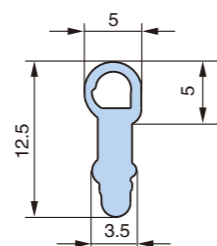
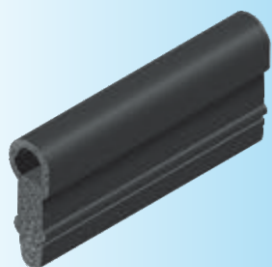
挤出型三元乙丙海绵胶条 Extruded EPDM Sponge Strip



MFT-040 黑色三元乙丙海绵胶条 Black EPDM Sponge Strip

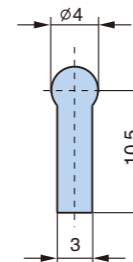
MFT-041

挤出型三元乙丙海绵胶条 Extruded EPDM Sponge Strip



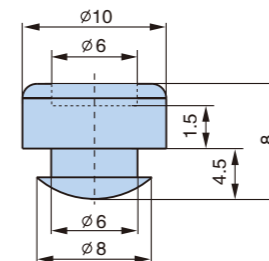
MFT-041 黑色三元乙丙海绵胶条 Black EPDM Sponge Strip

挤出型三元乙丙海绵胶条 Extruded EPDM Sponge Strip



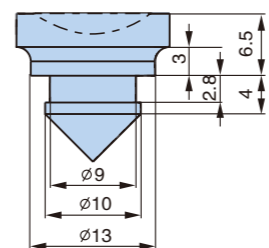
MFT-042 黑色三元乙丙海绵胶条 Black EPDM Sponge Strip

EPDM door nail buffer EPDM门用缓冲钉



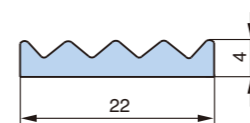
MFT-043 EPDM门用缓冲钉 EPDM door nail buffer

EPDM door nail buffer EPDM门用缓冲钉



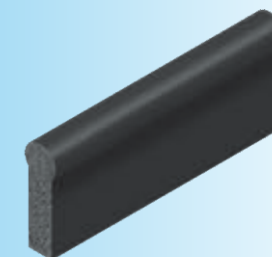
MFT-044 EPDM门用缓冲钉 EPDM door nail buffer

挤出型三元乙丙海绵胶条 Extruded EPDM Sponge Strip



MFT-045 黑色三元乙丙海绵胶条 Black EPDM Sponge Strip

MFT-042



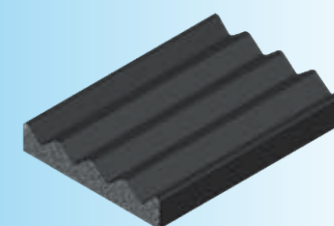
MFT-043



MFT-044

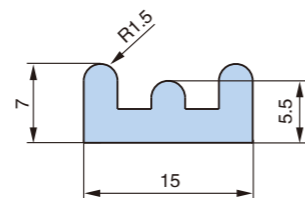
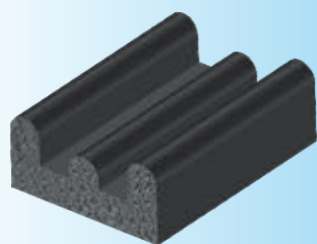


MFT-045



MFT-046

挤出型三元乙丙海绵胶条 Extruded EPDM Sponge Strip

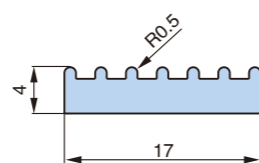
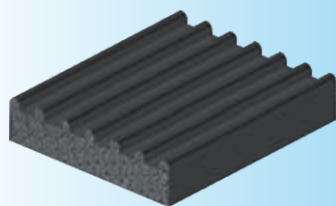


MFT-046

黑色三元乙丙海绵胶条 Black EPDM Sponge Strip

MFT-047

挤出型三元乙丙海绵胶条 Extruded EPDM Sponge Strip

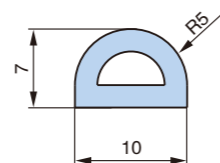
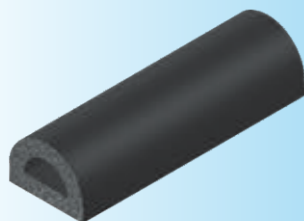


MFT-047

黑色三元乙丙海绵胶条 Black EPDM Sponge Strip

MFT-048

挤出型三元乙丙海绵胶条 Extruded EPDM Sponge Strip

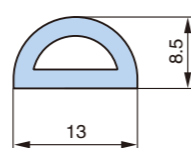
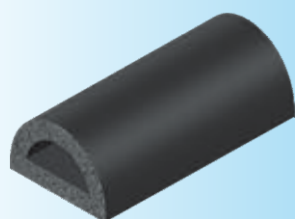


MFT-048

黑色三元乙丙海绵胶条 Black EPDM Sponge Strip

MFT-049

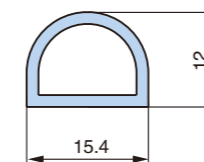
挤出型三元乙丙海绵胶条 Extruded EPDM Sponge Strip



MFT-049

黑色三元乙丙海绵胶条 Black EPDM Sponge Strip

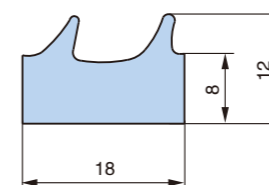
挤出型三元乙丙海绵胶条 Extruded EPDM Sponge Strip



MFT-050

黑色三元乙丙海绵胶条 Black EPDM Sponge Strip

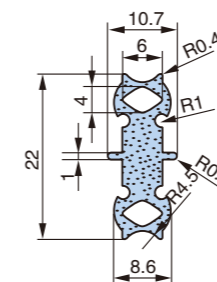
挤出型三元乙丙海绵胶条 Extruded EPDM Sponge Strip



MFT-051

黑色三元乙丙海绵胶条 Black EPDM Sponge Strip

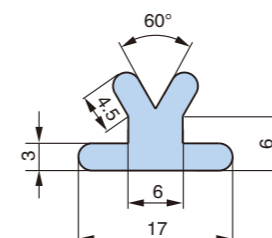
挤出型三元乙丙海绵胶条 Extruded EPDM Sponge Strip



MFT-052

黑色三元乙丙海绵胶条 Black EPDM Sponge Strip

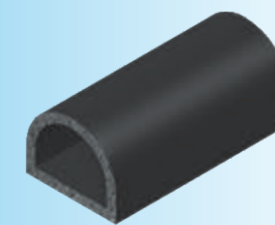
挤出型三元乙丙海绵胶条 Extruded EPDM Sponge Strip



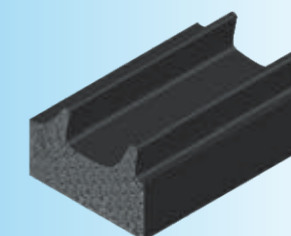
MFT-053

黑色三元乙丙海绵胶条 Black EPDM Sponge Strip

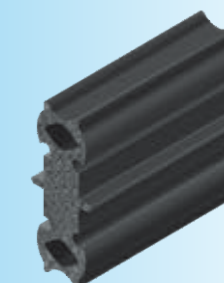
MFT-050



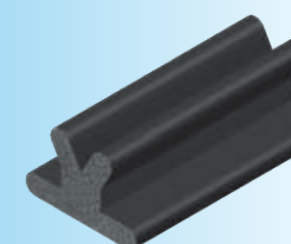
MFT-051



MFT-052

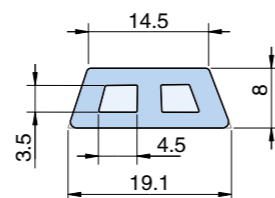
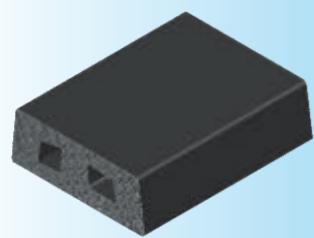


MFT-053



MFT-054

挤出型三元乙丙海绵胶条 Extruded EPDM Sponge Strip

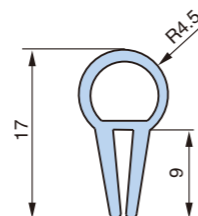
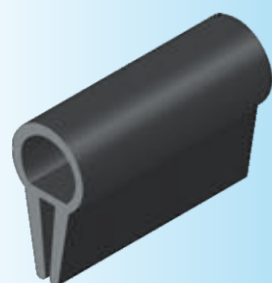


MFT-054

黑色三元乙丙海绵胶条 Black EPDM Sponge Strip

MFT-055

黑色三元乙丙密实胶条 Black EPDM Dense Strip

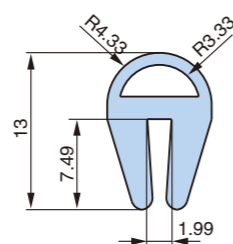
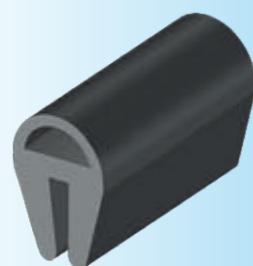


MFT-055

黑色三元乙丙密实胶条 Black EPDM Dense Strip

MFT-056

黑色三元乙丙密实胶条 Black EPDM Dense Strip

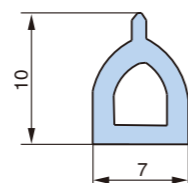
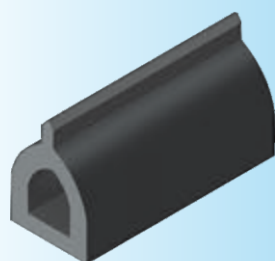


MFT-056

黑色三元乙丙密实胶条 Black EPDM Dense Strip

MFT-057

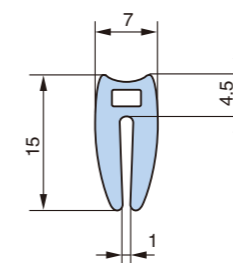
黑色三元乙丙密实胶条 Black EPDM Dense Strip



MFT-057

黑色三元乙丙密实胶条 Black EPDM Dense Strip

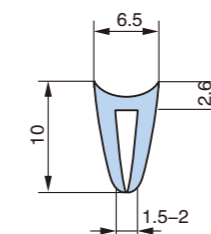
Black EPDM Dense Strip 黑色三元乙丙密实胶条



MFT-058

黑色三元乙丙密实胶条 Black EPDM Dense Strip

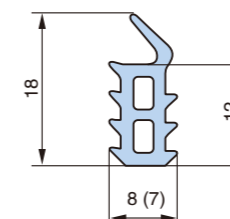
Black EPDM Dense Strip 黑色三元乙丙密实胶条



MFT-059

黑色三元乙丙密实胶条 Black EPDM Dense Strip

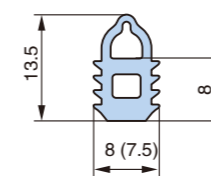
Black EPDM Dense Strip 黑色三元乙丙密实胶条



MFT-060

黑色三元乙丙密实胶条 Black EPDM Dense Strip

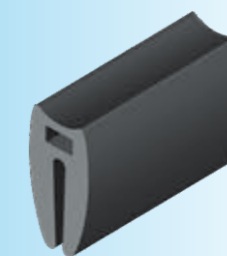
Black EPDM Dense Strip 黑色三元乙丙密实胶条



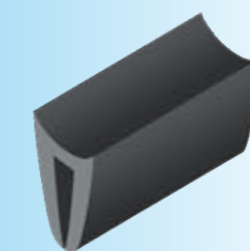
MFT-061

黑色三元乙丙密实胶条 Black EPDM Dense Strip

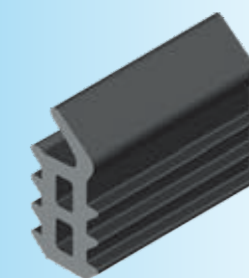
MFT-058



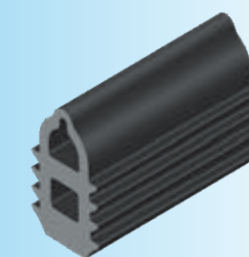
MFT-059



MFT-060

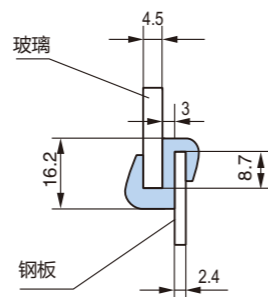
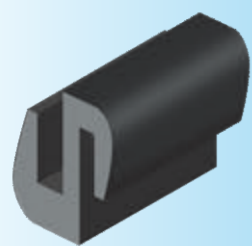


MFT-061



MFT-062

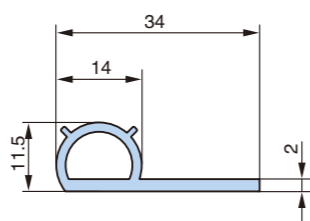
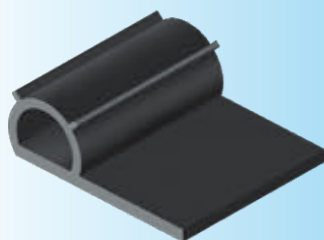
黑色三元乙丙密实胶条 Black EPDM Dense Strip



MFT-062 黑色三元乙丙密实胶条 Black EPDM Dense Strip

MFT-063

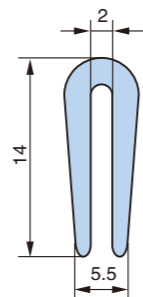
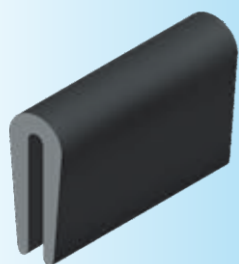
黑色三元乙丙密实胶条 Black EPDM Dense Strip



MFT-063 黑色三元乙丙密实胶条 Black EPDM Dense Strip

MFT-064

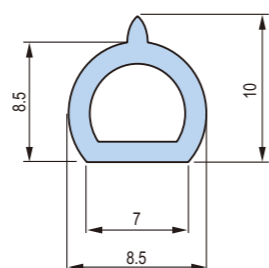
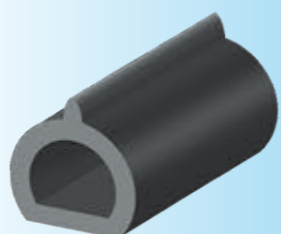
黑色三元乙丙密实胶条 Black EPDM Dense Strip



MFT-064 黑色三元乙丙密实胶条 Black EPDM Dense Strip

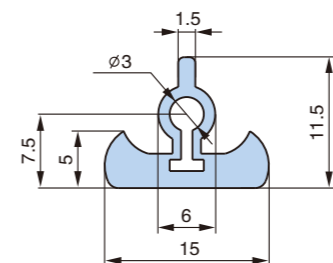
MFT-065

PVC密封胶条 PVC gasketing



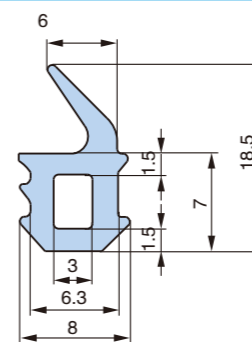
MFT-065 PVC密封胶条 PVC gasketing

Black EPDM Dense Strip 黑色三元乙丙密实胶条



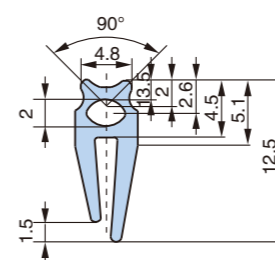
MFT-066 黑色三元乙丙密实胶条 Black EPDM Dense Strip

Black EPDM Dense Strip 黑色三元乙丙密实胶条



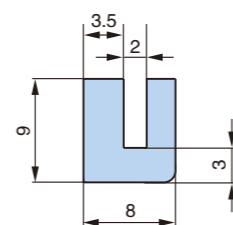
MFT-067 黑色三元乙丙密实胶条 Black EPDM Dense Strip

Black EPDM Dense Strip 黑色三元乙丙密实胶条



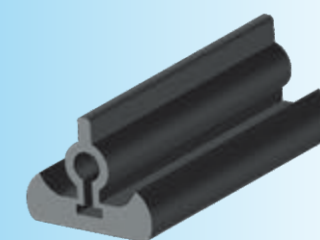
MFT-068 黑色三元乙丙密实胶条 Black EPDM Dense Strip

Black EPDM Dense Strip 黑色三元乙丙密实胶条

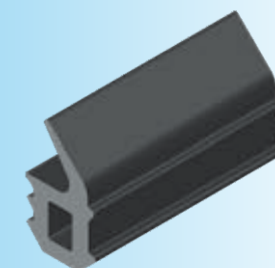


MFT-069 黑色三元乙丙密实胶条 Black EPDM Dense Strip

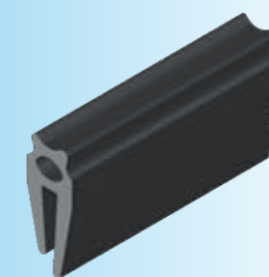
MFT-066



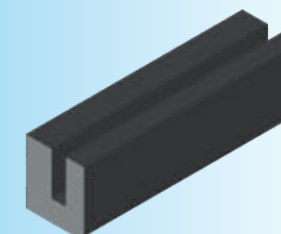
MFT-067



MFT-068

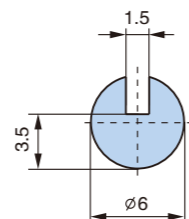
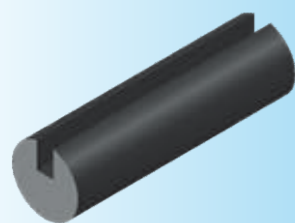


MFT-069



MFT-070

黑色三元乙丙密实胶条 Black EPDM Dense Strip

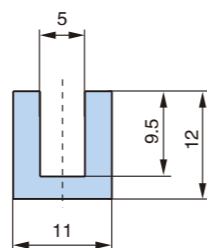
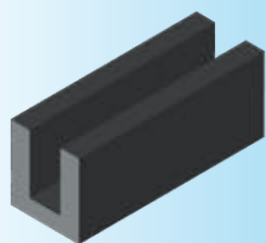


MFT-070

黑色三元乙丙密实胶条 Black EPDM Dense Strip

MFT-071

黑色三元乙丙密实胶条 Black EPDM Dense Strip

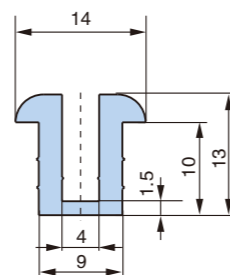
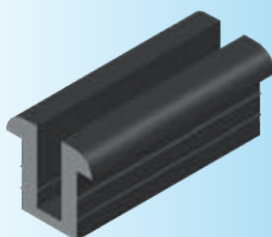


MFT-071

黑色三元乙丙密实胶条 Black EPDM Dense Strip

MFT-072

黑色三元乙丙密实胶条 Black EPDM Dense Strip

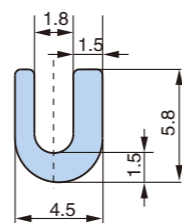
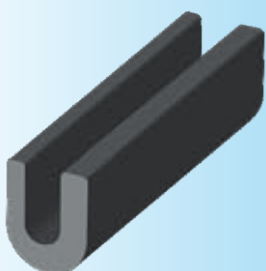


MFT-072

黑色三元乙丙密实胶条 Black EPDM Dense Strip

MFT-073

黑色三元乙丙密实胶条 Black EPDM Dense Strip

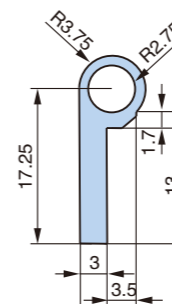


MFT-073

黑色三元乙丙密实胶条 Black EPDM Dense Strip

Black EPDM Dense Strip 黑色三元乙丙密实胶条

MFT-074

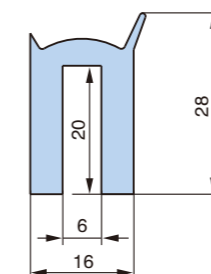


MFT-074

黑色三元乙丙密实胶条 Black EPDM Dense Strip

Black EPDM Dense Strip 黑色三元乙丙密实胶条

MFT-075

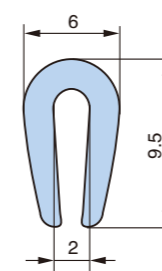


MFT-075

黑色三元乙丙密实胶条 Black EPDM Dense Strip

Black EPDM Dense Strip 黑色三元乙丙密实胶条

MFT-076

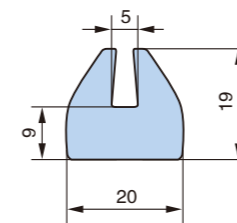


MFT-076

黑色三元乙丙密实胶条 Black EPDM Dense Strip

Black EPDM Dense Strip 黑色三元乙丙密实胶条

MFT-077

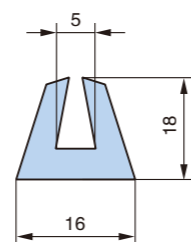
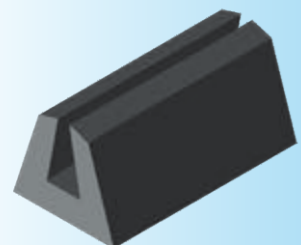


MFT-077

黑色三元乙丙密实胶条 Black EPDM Dense Strip

MFT-078

黑色三元乙丙密实胶条 Black EPDM Dense Strip

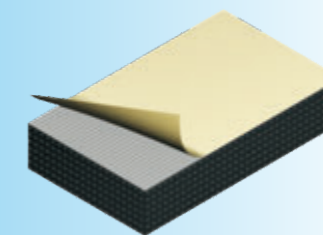
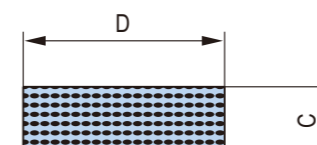


MFT-078

黑色三元乙丙密实胶条 Black EPDM Dense Strip

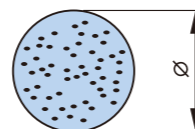
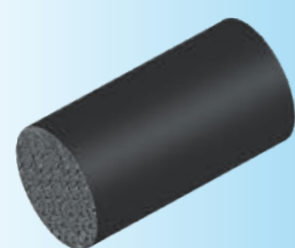
Sponge Foam Sealing Strip 海绵发泡密封胶条

MFT-079-110



MFT-111-118

海绵发泡密封条 Sponge Foam Sealing Strip



海绵发泡圆形密封条

代号	Ø
MFT-111	3
MFT-112	4
MFT-113	5
MFT-114	6
MFT-115	7
MFT-116	8
MFT-117	9
MFT-118	10

海绵发泡方形密封条

注：背面胶带可选择进口综研胶带、网格纤维胶带、3M胶带或者其他品牌胶带。

代号	C	D
MFT-079	1.5	18
MFT-080	2	10
MFT-081	2	12
MFT-082	2	15
MFT-083	2	20
MFT-084	3	6
MFT-085	3	10
MFT-086	3	12
MFT-087	3	15
MFT-088	3	18
MFT-089	3	20
MFT-090	3	22
MFT-091	3	30
MFT-092	3	35
MFT-093	4	10
MFT-094	4	12

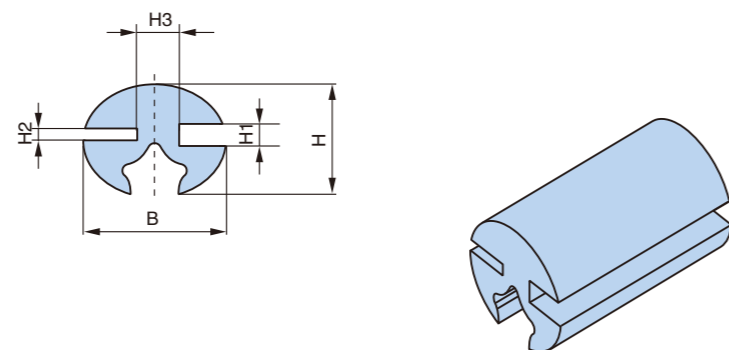
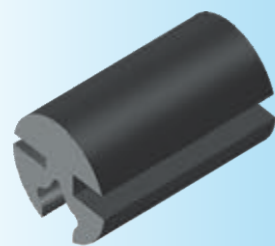
代号	C	D
MFT-095	4	15
MFT-096	4	20
MFT-097	4	25
MFT-098	4	30
MFT-099	5	10
MFT-100	5	12
MFT-101	5	14
MFT-102	5	15
MFT-103	5	20
MFT-104	5	30
MFT-105	6	10
MFT-106	6	15
MFT-107	6	17
MFT-108	6	20
MFT-109	6	25
MFT-110	6	30

MFT-119-123

观察窗密封条 Observation Window Sealing Strip

Sponge Foam Tape 海绵发泡胶条

MFT-129-138



观察窗胶条

代号	B	H	H1	H2	H3
MFT-119	29	23	5	2	8
MFT-120	26	18	5	2	5
MFT-121	21	17	5	2	5
MFT-122	19	14	4	1.5	4
MFT-123	15	10	3	3	3

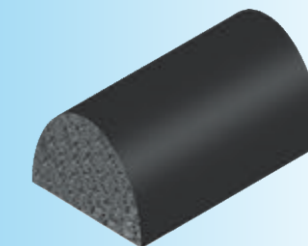


发泡半圆胶条

注：背面胶带可选择进口综研胶带、网格纤维胶带、3M胶带或者其他品牌胶带。

代号	A	B
MFT-129	16	3
MFT-130	16	5
MFT-131	16	6.5
MFT-132	16	7
MFT-133	16	8

代号	A	B
MFT-134	12	10
MFT-135	10	12
MFT-136	10	6.5
MFT-137	11	7
MFT-138	11	12

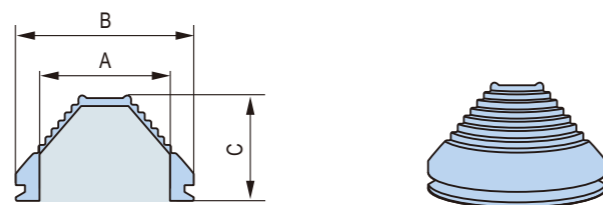


MFT-124-128

电缆穿线护套 Cable threading sheath

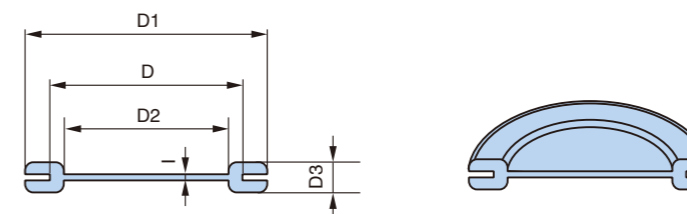
Over line apron 过线胶圈

MFT-139-150



电缆穿线护套

代号	A	B	C
MFT-124	28	38	36
MFT-125	50	60	46
MFT-126	60	70	46
MFT-127	80	88	60
MFT-128	110	122	66



过线胶圈

代号	D	D1	D2	D3	开口尺寸(I)
MFT-139	8	29	18	8	22
MFT-140	22	15	8	9	8
MFT-141	30	38	22	8	32
MFT-142	33	45	29	8	34
MFT-143	35	40	24	8	29
MFT-144	40	51	36	8	44
MFT-145	45	50	36	8	40
MFT-146	50	71		8	60
MFT-147	60	100		8	80
MFT-148	80	120		8	100
MFT-149	100	58		8	50
MFT-150	110	116		9	110

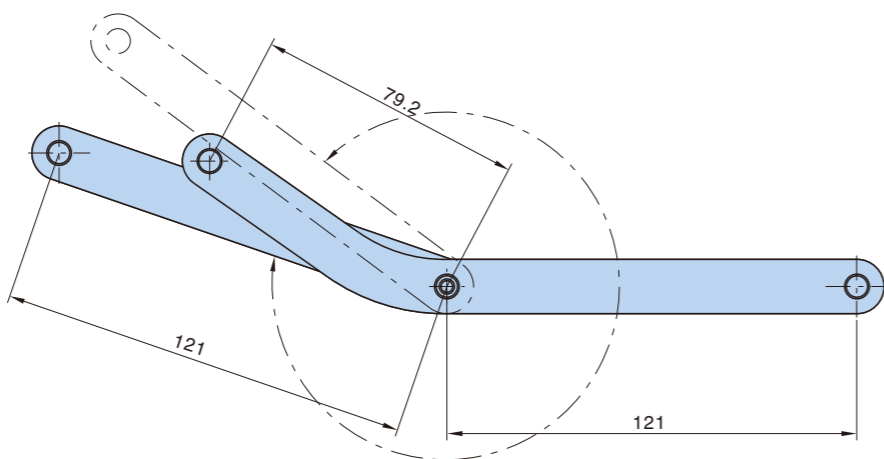


XW02

限位滑动支撑Telescopic Cover Stay



XW02-1R XW02-1L

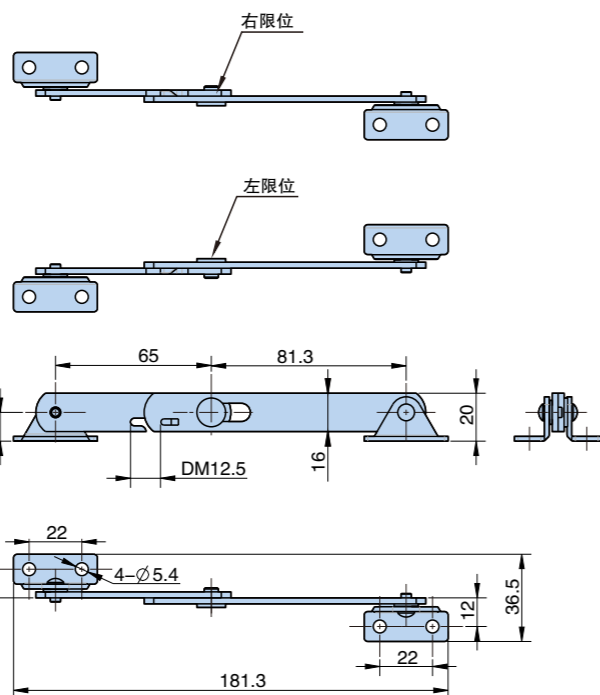


- 材质: 镀锌钢
- Material: Zinc plating steel

型号 Product no.	产品单重(g) Weight	装箱数 Lot
XW02-1L	30.5	150
XW02-1R	30.5	150

XW03

限位滑动支撑Telescopic Cover Stay

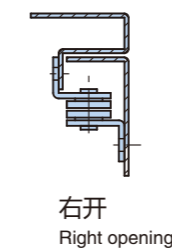
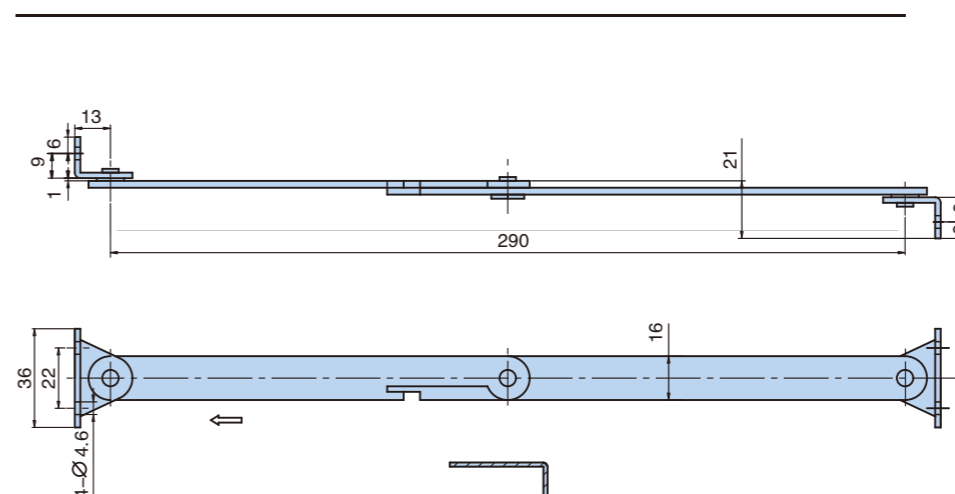
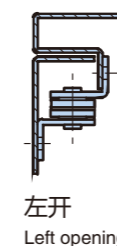
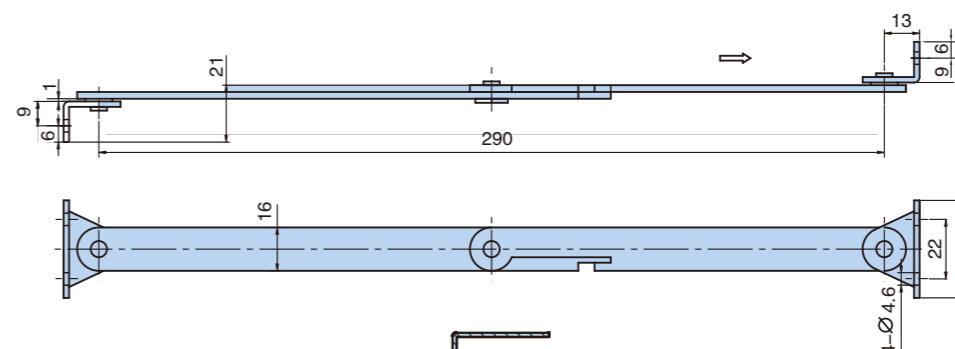


- 材质: 镀锌钢
- Material: Zinc plating steel

型号 Product no.	产品单重(g) Weight	装箱数 Lot
XW03-1L		
XW03-1R		

限位滑动支撑Telescopic Cover Stay

XW04



型号及特性 Product Number		产品单重(g) Weight	装箱数 Lot
XW04-1L	镀锌钢Zinc plating steel		
XW04-1R			
XW04-1SL	不锈钢304 SUS 304		
XW04-1SR			

✓
可定制产品
Customizable products

- 材质: 镀锌钢/不锈钢304
- Material: Zinc plating steel/SUS304

A拉手系列 Handles series
B平面锁系列 Plane lock series
C连杆锁系列 Rod control series
D面板锁系列 Plane lock series
E执手锁系列 Handle lock series
F转舌锁系列 Cam lock series
G铰链系列 Hinge series
H搭扣锁系列 Toggle lock series
I门销系列 Door bolt series
J电子锁系列 Electronic lock series
K密封条系列 Gasketing series
L限位系列 Door stop series
M附件系列 Accessories series
N不锈钢件系列 Stainless steel series

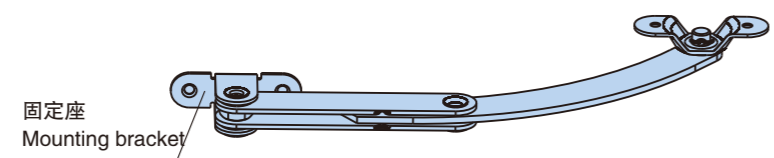
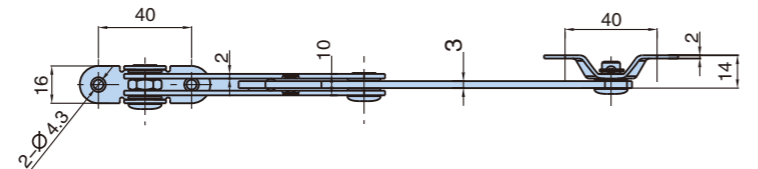
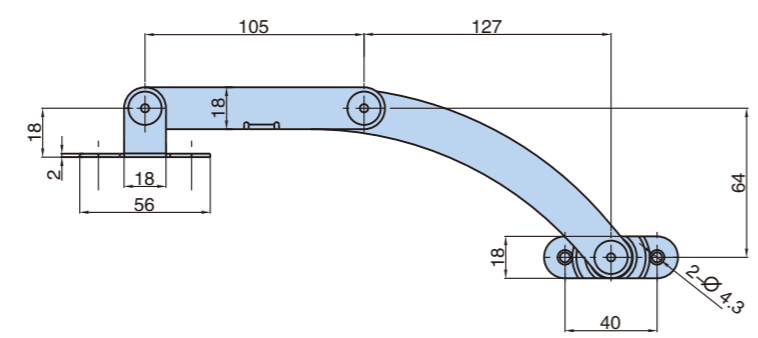
A拉手系列 Handles series
B平面锁系列 Plane lock series
C连杆锁系列 Rod control series
D面板锁系列 Plane lock series
E执手锁系列 Handle lock series
F转舌锁系列 Cam lock series
G铰链系列 Hinge series
H搭扣锁系列 Toggle lock series
I门销系列 Door bolt series
J电子锁系列 Electronic lock series
K密封条系列 Gasketing series
L限位系列 Door stop series
M附件系列 Accessories series
N不锈钢件系列 Stainless steel series

XW05

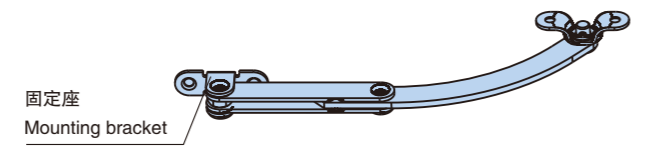
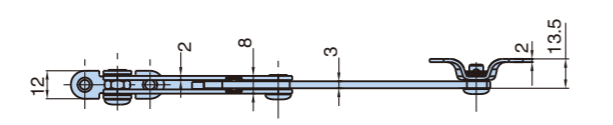
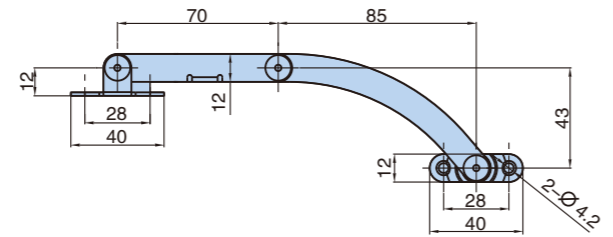
限位滑动支撑Telescopic Cover Stay



长型Long size



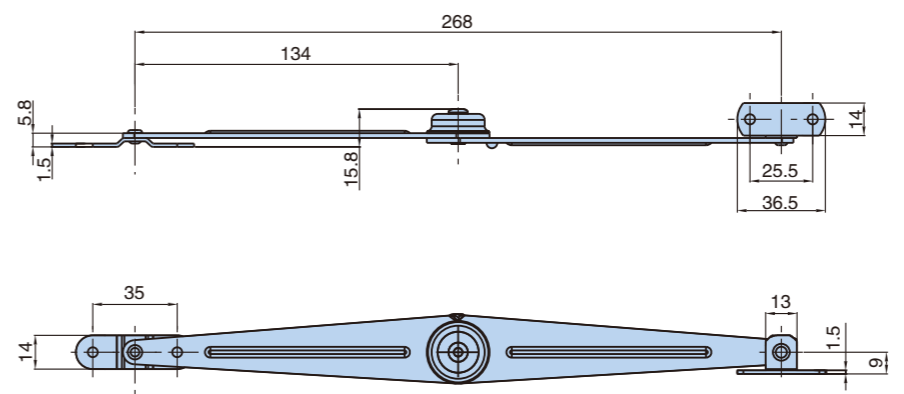
短型Short size



	型号及特性 Product Number	产品单重(g) Weight	装箱数 Lot
长型Long size	XW05-1L	左开Left opening	
	XW05-1R	右开Right opening	
短型Short size	XW05-2L	左开Left opening	
	XW05-2R	右开Right opening	

- 材质: 镀锌钢
- Material: Zinc plating steel

限位滑动支撑Telescopic Cover Stay

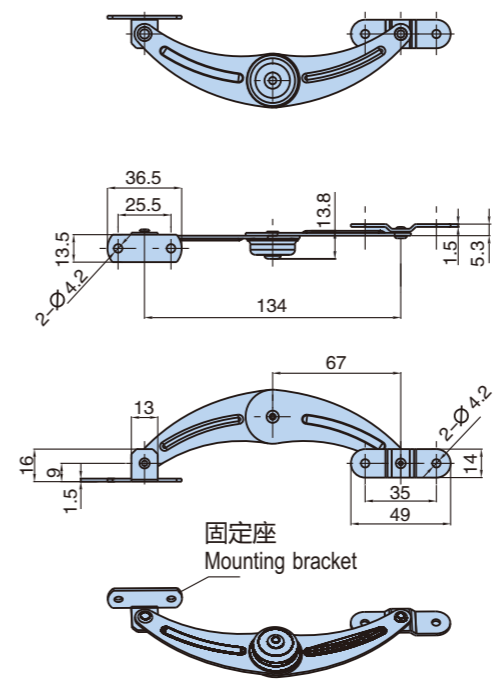


固定件
Mounting bracket



型号及特性 Product Number	产品单重(g) Weight	装箱数 Lot
XW06-1L	左开Left opening	
XW06-1R	右开Right opening	

限位滑动支撑Telescopic Cover Stay



固定座
Mounting bracket

型号及特性 Product Number	产品单重(g) Weight	装箱数 Lot
XW07-1L	左开Left opening	
XW07-1R	右开Right opening	

XW06



可定制产品
Customizable products

- 材质: 镀锌钢
- Material: Zinc plating steel

XW07



可定制产品
Customizable products

- 材质: 镀锌钢
- Material: Zinc plating steel

XW08

限位滑动支撑Telescopic Cover Stay

限位滑动支撑Telescopic Cover Stay

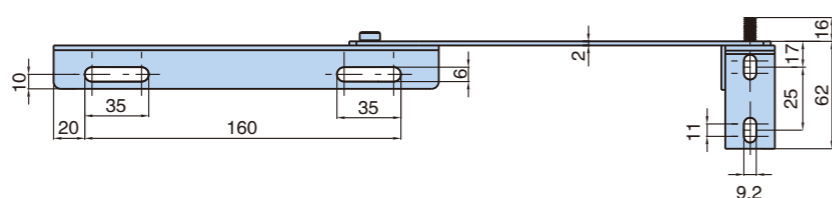
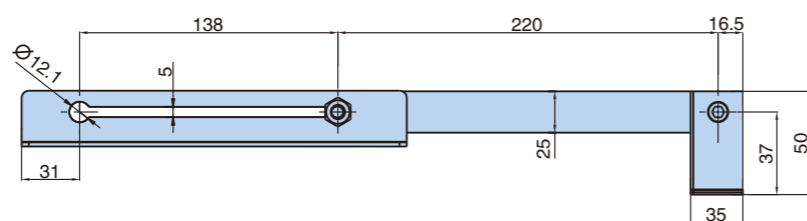
XW09



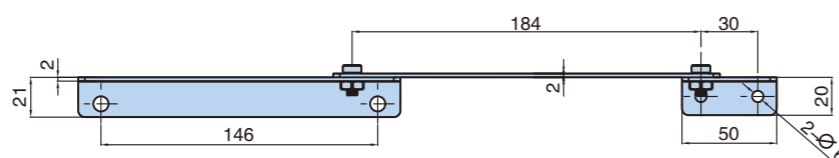
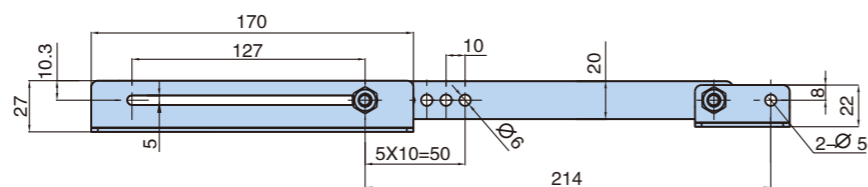
可定制产品
Customizable products

- 材质: 镀锌钢
- Material: Zinc plating steel

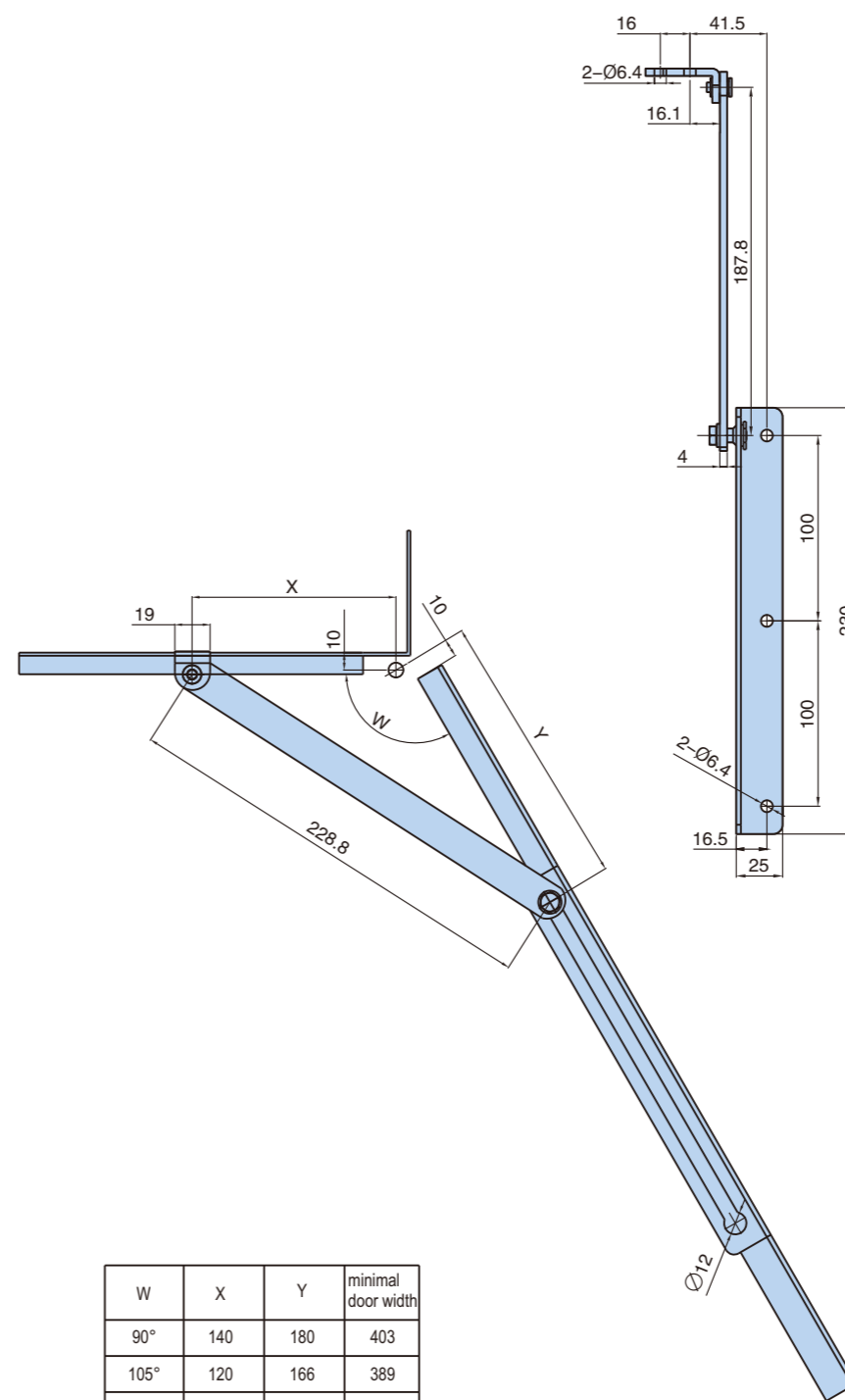
长型Long size



短型Short size

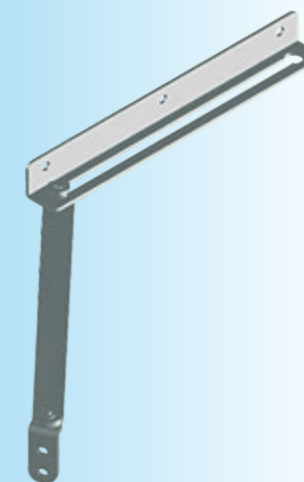


型号及特性 Product Number		产品单重(g) Weight	装箱数 Lot
长型Long size	XW08-1	镀锌钢Zinc plating steel	
	XW08-1S	不锈钢304 SUS 304	
短型Short size	XW08-2	镀锌钢Zinc plating steel	
	XW08-2S	不锈钢304 SUS 304	



W	X	Y	minimal door width
90°	140	180	403
105°	120	166	389
120°	110	150	373
135°	100	146	369

型号及特性 Product Number		产品单重(g) Weight	装箱数 Lot
XW09-1	镀锌钢Zinc plating steel		
XW09-1S	不锈钢304 SUS 304		



可定制产品
Customizable products

- 材质: 镀锌钢
- Material: Zinc plating steel

XW10

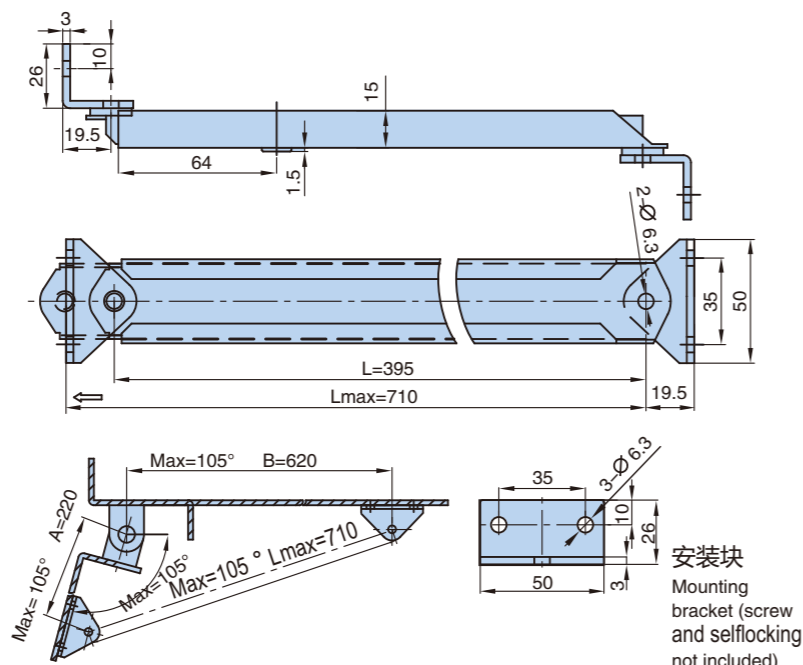
限位滑动支撑Telescopic Cover Stay

限位滑动支撑Telescopic Cover Stay

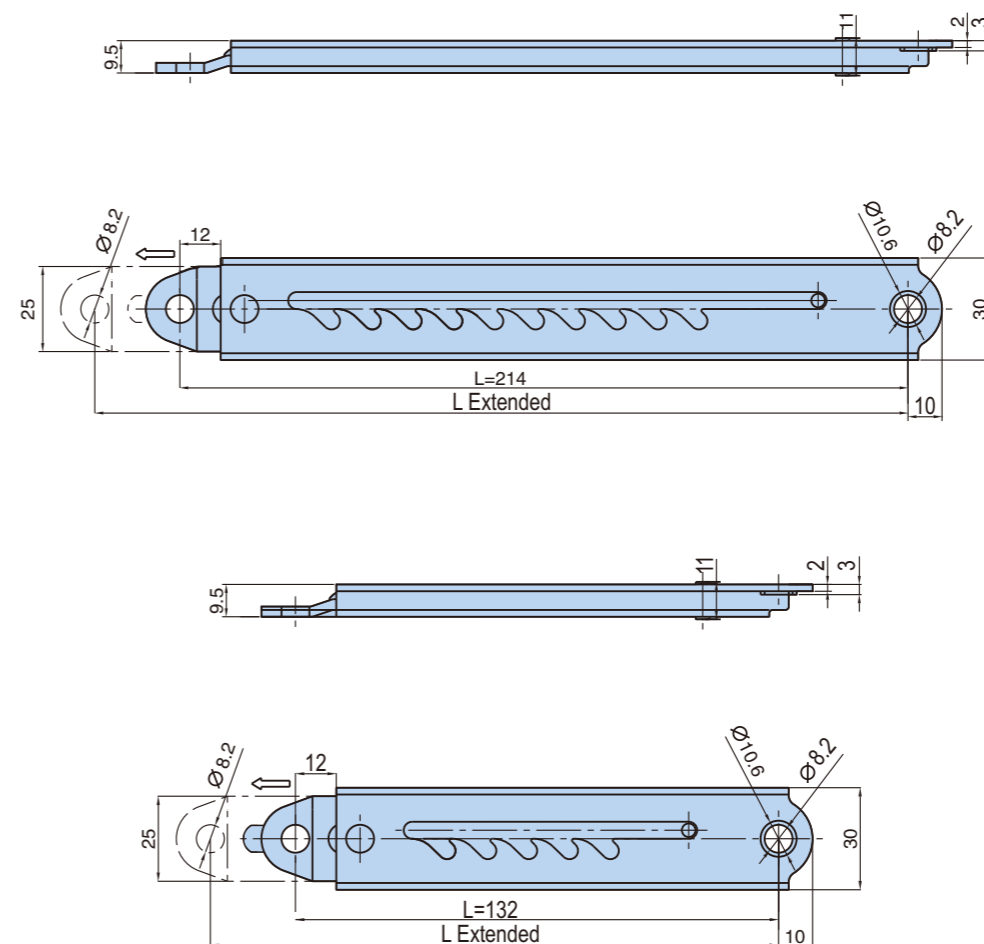
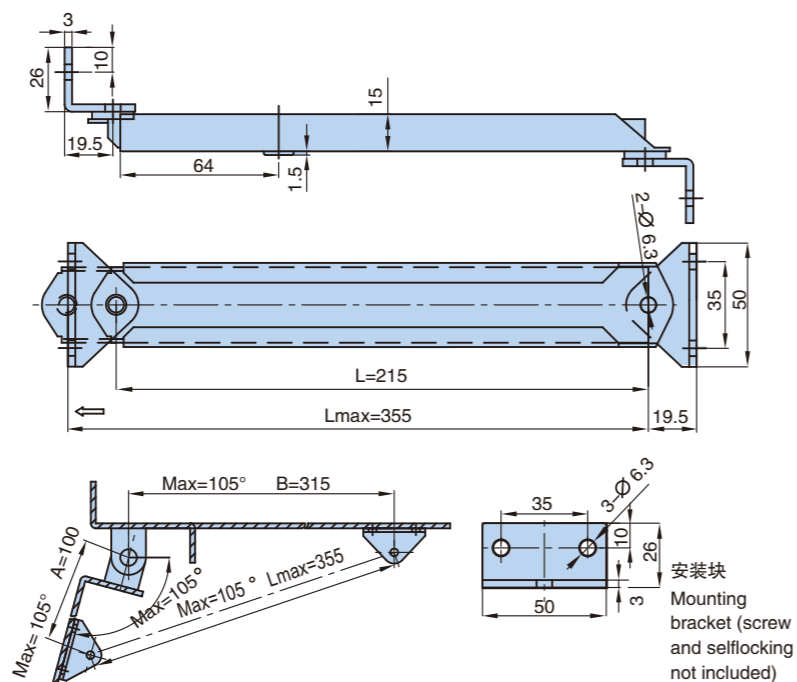
XW11



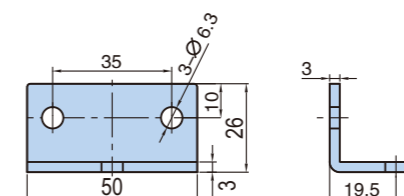
长型Long size



短型Short size



止口 Stop	长型Long size L 伸出 L Extended	短型Short size L 伸出 L Extended
1.	234.5	164
2.	248	177
3.	261	189.5
4.	274.5	202
5.	288	214.5
6.	301	
7.	314.5	
8.	327	
9.	340.5	
10.	354	



Mounting bracket (screw and selflocking not include)
Note: The cover stay is sold with mounting bracket and related accessories together as standard.

型号及特性 Product Number	产品单重(g) Weight	装箱数 Lot
长型Long size XW10-1	镀锌钢Zinc plating steel	
短型Short size XW10-2	镀锌钢Zinc plating steel	

型号及特性 Product Number	止口数 Stops q.ty	产品单重(g) Weight	装箱数 Lot
长型Long size XW11-1	10		
短型Short size XW11-2	5		

- 材质: 镀锌钢
- Material: Zinc plating steel

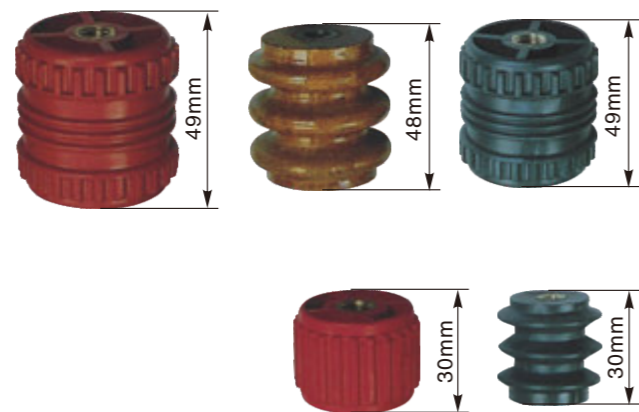
- 材质: 镀锌钢
- Material: Zinc plating steel

- A拉手系列 Handles series
- B平面锁系列 Plane lock series
- C连杆锁系列 Rod control series
- D面板锁系列 Plane lock series
- E执手锁系列 Handle lock series
- F转舌锁系列 Cam lock series
- G铰链系列 Hinge series
- H搭扣锁系列 Toggle lock series
- I门销系列 Door bolt series
- J电子锁系列 Electronic lock series
- K密封条系列 Gasketing series
- L限位系列 Door stop series
- M附件系列 Accessories series
- N不锈钢件系列 Stainless steel series

- A拉手系列 Handles series
- B平面锁系列 Plane lock series
- C连杆锁系列 Rod control series
- D面板锁系列 Plane lock series
- E执手锁系列 Handle lock series
- F转舌锁系列 Cam lock series
- G铰链系列 Hinge series
- H搭扣锁系列 Toggle lock series
- I门销系列 Door bolt series
- J电子锁系列 Electronic lock series
- K密封条系列 Gasketing series
- L限位系列 Door stop series
- M附件系列 Accessories series
- N不锈钢件系列 Stainless steel series

绝缘子

insulator

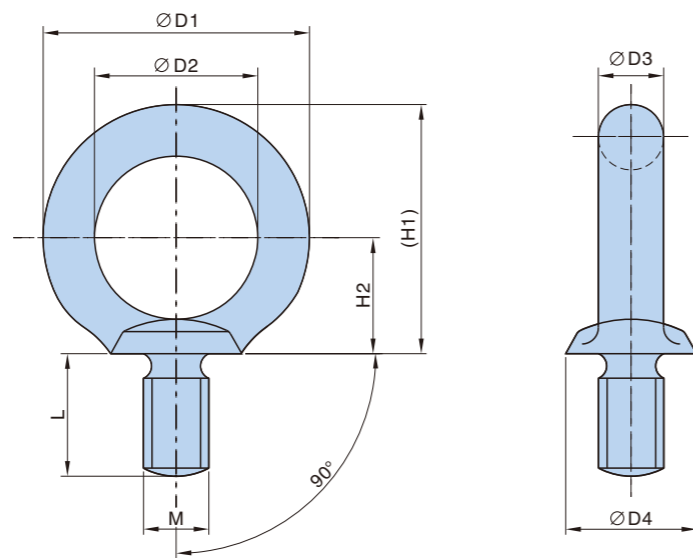


产品型号及特性 Product Number		
1	∅30-M6×30	灰色
2	∅45-M8×48	黄色
3	∅50-M10×49	灰色
4	∅30-M8×30	灰色
5	SGR-50-M10×49	粉红色
6	SGR-50-M8×48	粉红色
7	SGR-30-M10×30	粉红色
8	SGR-30-M8×30	粉红色

- 绝缘子
- Isolator
- Material: PPO

DH-M

吊环Ring



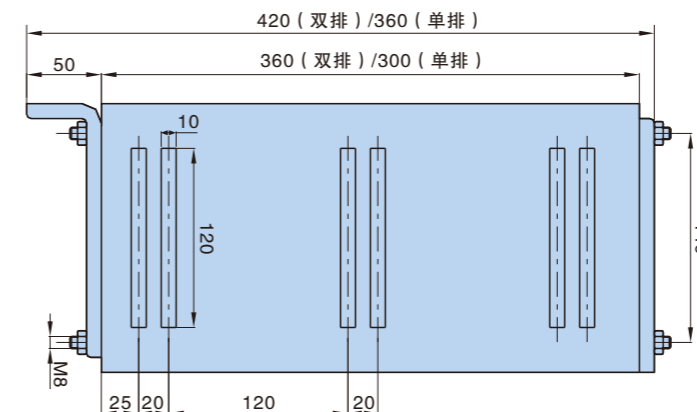
型号	尺寸	L	H1	H2	∅D1	∅D2	∅D3	∅D4	M
DH-M8	15	33.3	17	32.6	20	6.3	16	8	
DH-M10	18	41.5	21	41	25	8	20	10	
DH-M12	22	51	26	50	30	10	25	12	
DH-M16	27	60	30	60	35	12.5	30	16	
DH-M20	30	71	35	72	40	16	35	20	
DH-M22	34	84	43	81	44	18	40	22	
DH-M24	38	90	45	90	50	20	45	24	
DH-M30	45	110	55	110	60	25	60	30	
DH-M36	55	131.5	65	133	70	31.5	70	36	

- 材质: A3
- 表面处理: 镀蓝白锌
- Material: Rolled steel
- Finish: white zinc plating

M001

双排母线夹Double row busbar clamp

ZMJ



ZMJ型主母线夹型号及规格 Model and specification

型号 Product no.	外形尺寸(mm)	母线规格(mm)
ZMJ1-100	360x35x180	单排10x100
ZMJ1-80	360x35x180	单排10x80
ZMJ1-60A	360x35x180	单排10x60
ZMJ1-60	360x35x180	单排6x60
ZMJ1-50	360x35x180	单排5x50
ZMJ1-40A	360x35x180	单排5x40
ZMJ1-40	360x35x180	单排4x40
ZMJ2-100	420x35x180	双排10x100
ZMJ2-80	420x35x180	双排10x80
ZMJ2-60A	420x35x180	双排10x60
ZMJ2-60	420x35x180	双排6x60



ZMJ-1

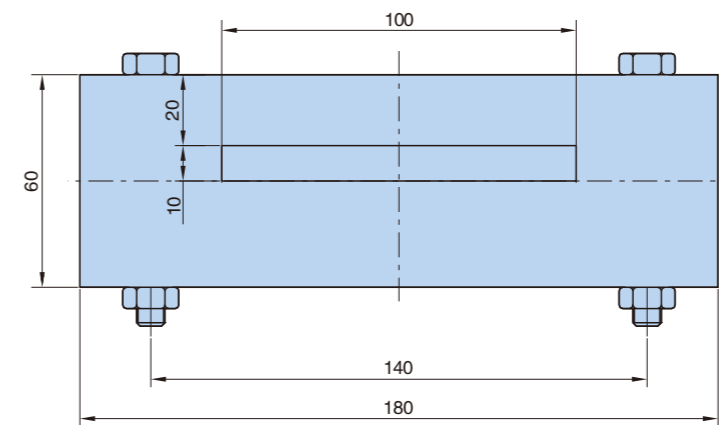


ZMJ-2

- 材质: PPO
- 注: 括号中360为单排尺寸。

单排母线夹Single row busbar clamp

LMJ



LMJ型零母线夹 Type model and specification

型号 Product no.	外形尺寸(mm)	母线规格(mm)
LMJ-100	360x35x180	单排10x100
LMJ-80	360x35x180	单排10x80
LMJ-60A	360x35x180	单排10x60
LMJ1-60	360x35x180	单排6x60
LMJ1-50	360x35x180	单排5x50
LMJ1-40A	360x35x180	单排5x40
LMJ1-40	360x35x180	单排4x40

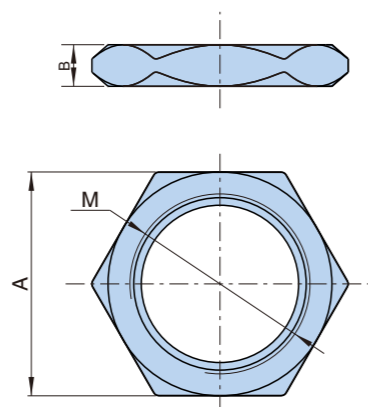


- 材质: PPO

M002

平面螺母

Flat nut

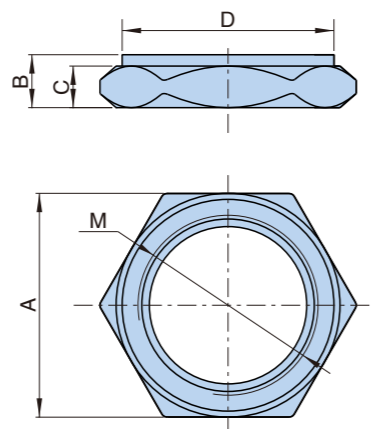
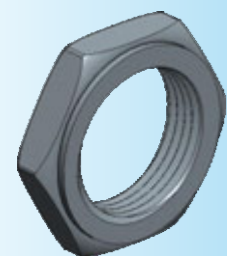


- 材质: 锌合金
- 表面处理: 镀蓝白锌:
- Material: zinc-die casting
- Finish: white zinc plating

螺母规格(M)	零件来源	基本尺寸Dimensions				材质	表面处理
		A	B	C	D		
M22X1.5	MS721	27	4			SUS304	本色
M19X1	MS407-2	22	4.5			锌合金	镀蓝白锌

台阶螺母

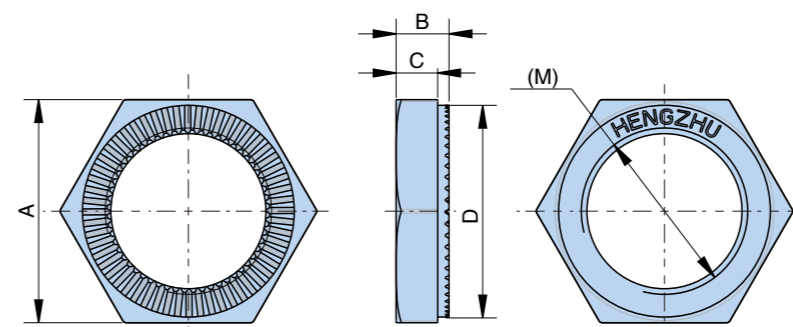
Step nut



- 材质: 锌合金
- 表面处理: 镀蓝白锌:
- Material: zinc-die casting
- Finish: white zinc plating

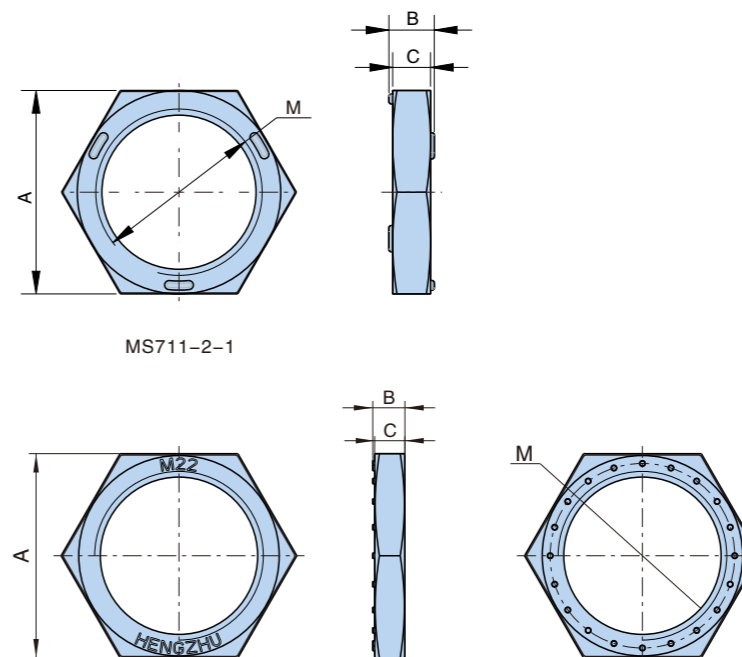
螺母规格(M)	零件来源	基本尺寸Dimensions				材质	表面处理
		A	B	C	D		
M22X1.5	MS308-1-1	29.5	7	5.5	28	锌合金	镀蓝白锌
M20X1.5	A19-1-1	32	5	4	26	锌合金	镀蓝白锌

Toothed anti-slip nut



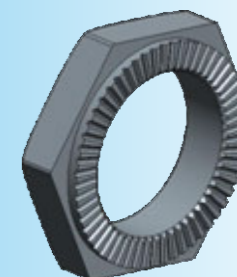
螺母规格(M)	零件来源	基本尺寸Dimensions				材质	表面处理
		A	B	C	D		
M26X1.5	MS306	36	9	7.5	31.5	锌合金	镀蓝白锌
M24X1.5	MS814	32	7	5	28	锌合金	镀蓝白锌
M22X1.5	MS407-1	27	4	3	27	锌合金	镀蓝白锌
M20X1.5	MS713-1	26	6	4	24	锌合金	镀蓝白锌
M20X1	MS-W400-2A	24.5	4	4.5	24.5	锌合金	镀蓝白锌
M19X1	MS411	24.5	5	4	24.5	锌合金	镀蓝白锌
M18X1	MS408-2-1	24.5	5	4	23	锌合金	镀蓝白锌
M16X1	MS408-3-1	19	4	3	19	锌合金	镀蓝白锌

Non-slip nut



螺母规格(M)	零件来源	基本尺寸Dimensions			材质	表面处理
		A	B	C		
M22X1.5	MS711-2-1	27	6	5	锌合金	镀蓝白锌
M22X1.5	MS705-1S-2	27	4.2	4	SUS316	本色

带齿防滑螺母



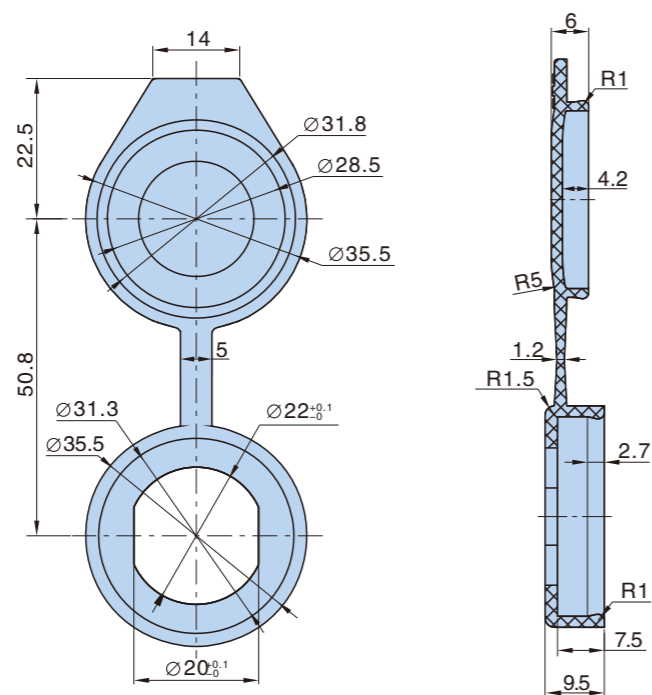
带点防滑螺母



- 材质: 锌合金
- 表面处理: 镀蓝白锌:
- Material: zinc-die casting
- Finish: white zinc plating

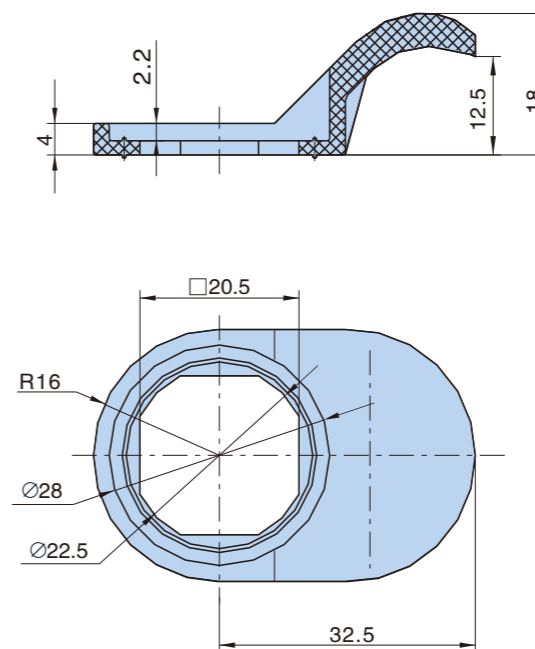
FJ01

防水盖 Waterproof cover



- 材质: 热塑性橡胶黑色。
- Material: Plastic black

拉攀 Pull tab

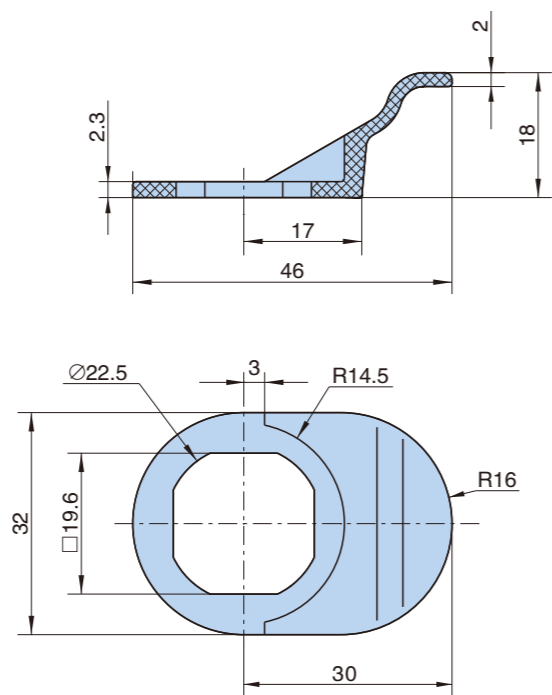


PT01-2



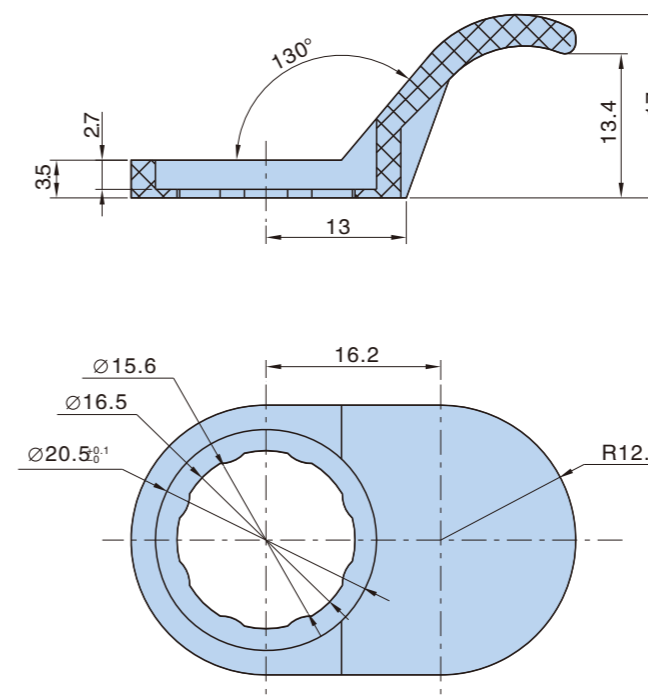
PT01-1

拉攀 Pull tab



- 材质: 阻燃尼龙, 黑色。
- Material: PA, black.

拉攀 Pull tab



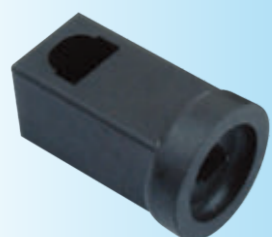
PT02



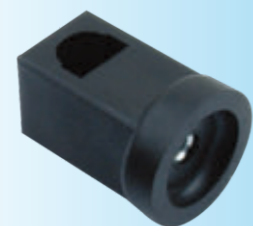
- 材质: 阻燃尼龙, 黑色。
- Material: PA, black.

RG01

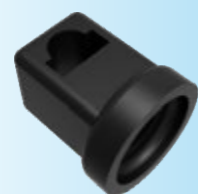
圆拉杆导向件Round rod guide



RG01-1

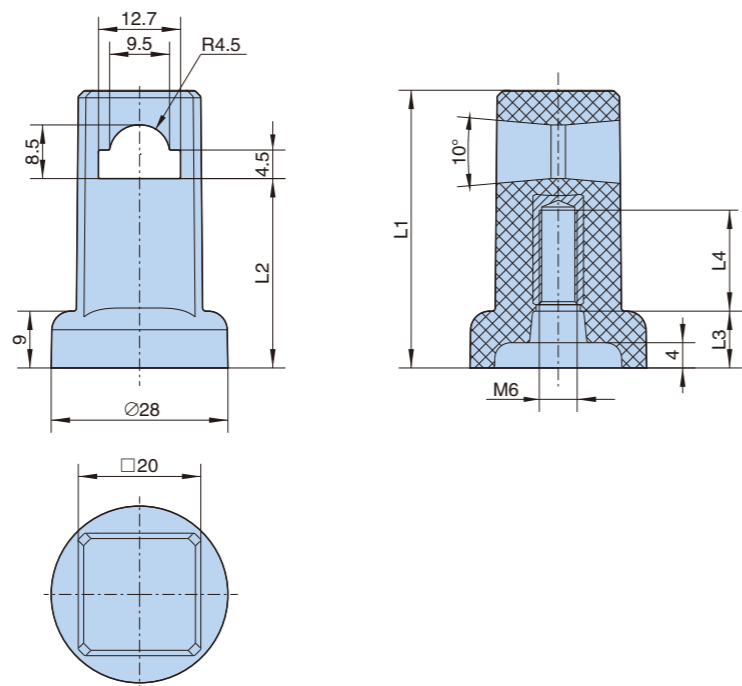


RG01-2



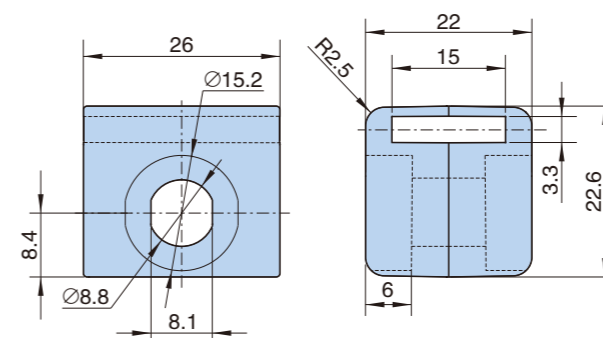
RG01-3

- 材质:PA, 黑色
- Material:PA,black



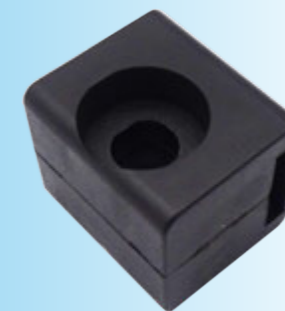
型号 Product no.	基本尺寸Dimensions			
	L1	L2	L3	L4
RG01-1	44	30	9	12
RG01-2	38	24	4.5	12
RG01-3	32	19	4.5	6

扁拉杆导向件Flat tie rod guide



型号 Product no.	产品单重(g) Weight	装箱数 Lot
RG03-3	9	

RG03-3



- 黑色PA6导向件,
- 可用M6 × 16~20焊柱螺钉固定
- Material: Pa6
- Remark: Match with M6 × 16~20 screw

RG03

扁拉杆导向件Flat tie rod guide

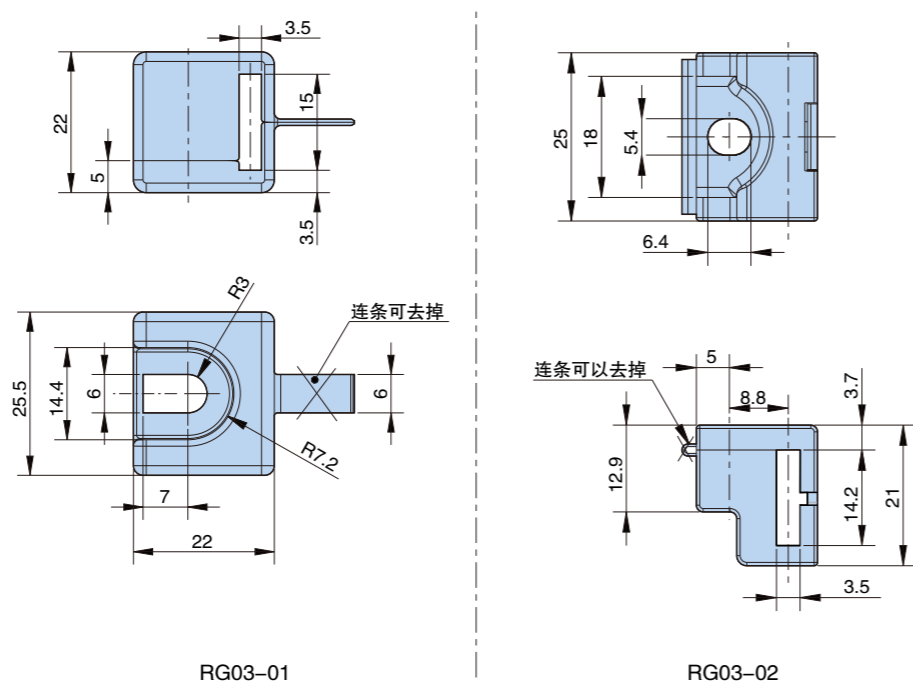


RG03-1

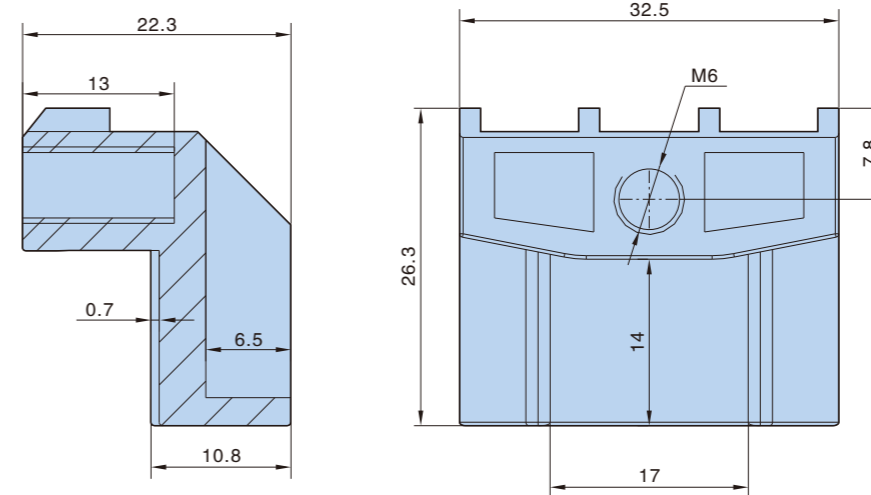


RG03-2

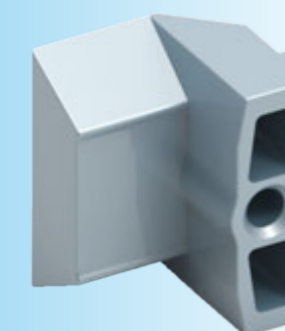
- 材质:PA, 黑色
- Material:PA,black



拉杆固定扣Tie rod fixing buckle



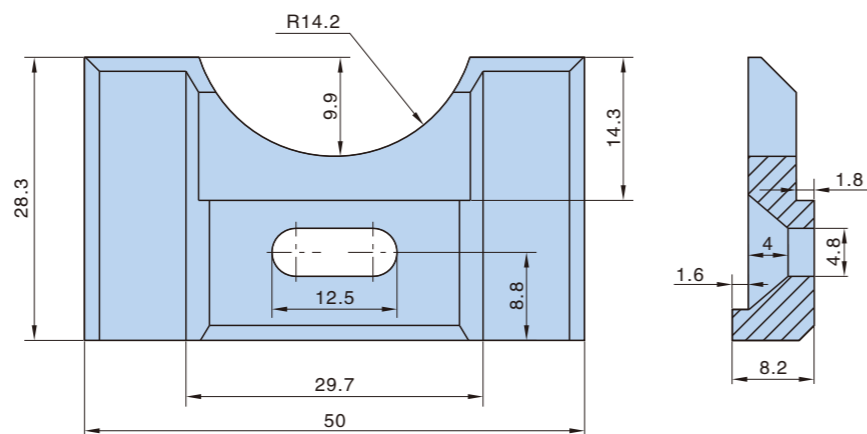
RG04



- 材质: 锌合金
- 表面处理: 镀蓝白锌
- Material: zinc-die casting
- Finish: white zinc plating

RG05

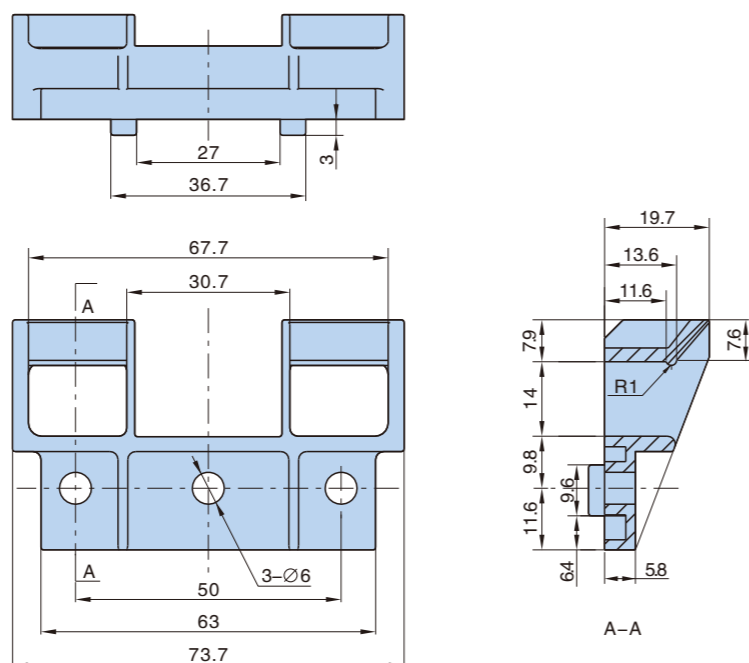
拉杆固定扣 Tie rod fixing buckle



- 材质: 锌合金
- 表面处理: 喷沙纹黑
- Material: zinc-die casting
- Finish: Matt black

RG06

拉杆导向件 Pull rod guid



- 材质: 锌合金
- 表面处理: 镀蓝白锌
- Material: zinc-die casting
- Finish: white zinc plating

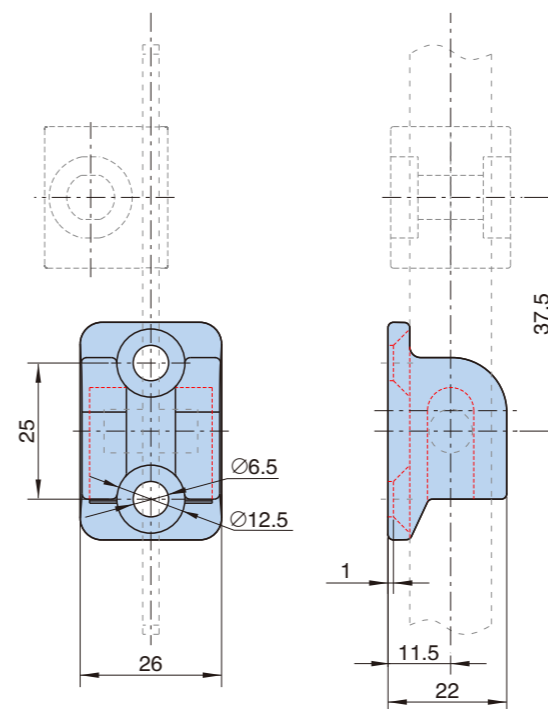
型号 Product no.	产品单重(g) Weight	装箱数 Lot
RG10		

M009

恒珠柜锁 电话(TEL):0795-2119999, 3256555 E-mail: admin@hengzhu.com

拉杆固定扣 Tie rod fixing buckle

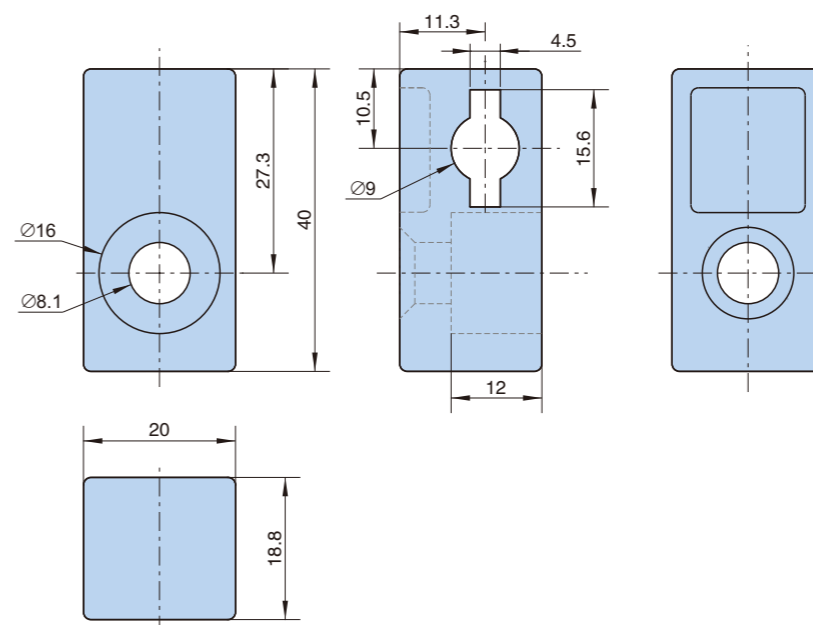
RG08-2



型号 Product no.	产品单重(g) Weight	装箱数 Lot
RG08-2	55	

拉杆导向件 Pull rod guid

RG10

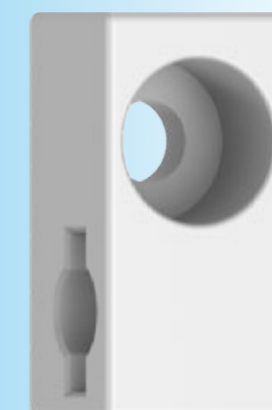


型号 Product no.	产品单重(g) Weight	装箱数 Lot
RG10		

恒珠柜锁 电话(TEL):0795-2119999, 3256555 E-mail: admin@hengzhu.com



- 喷沙纹黑锌合金固定扣
- 适用于带锁销扁连杆
- Material: Zinc alloy
- Finish: Matte black



- 材质: ABS, 白色
- Material: ABS, white

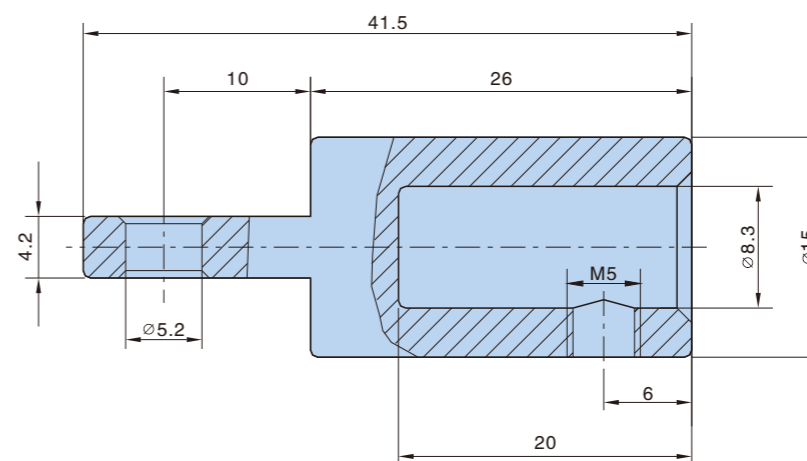
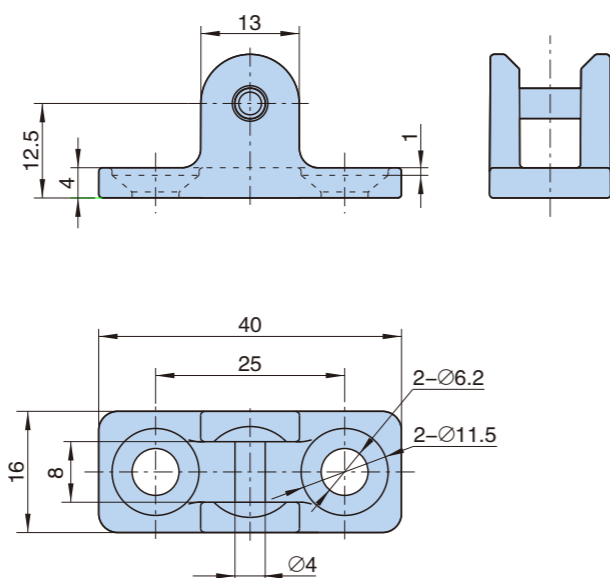
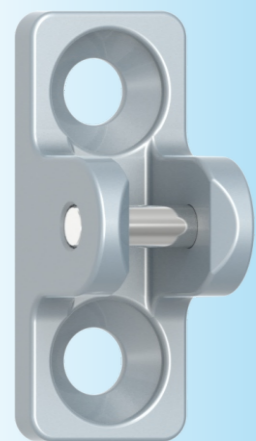
M010

RG11

拉杆固定扣 Tie rod fixing buckle

圆形拉杆接头 Round tie rod joint

RA02



- 镀三价五彩锌合金固定扣, 不锈钢销子, 用M6沉头螺钉固定
- Material: Zinc alloy, stainless steel pin

型号 Product no.	产品单重(g) Weight	装箱数 Lot
RG11	24.5	600

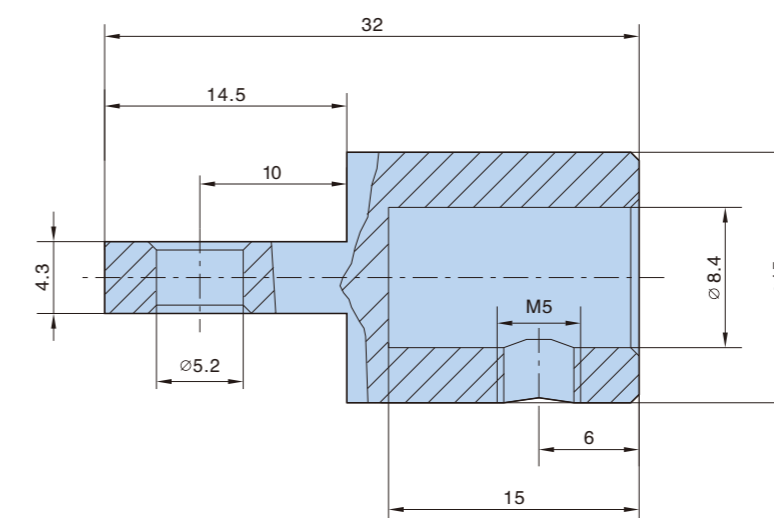
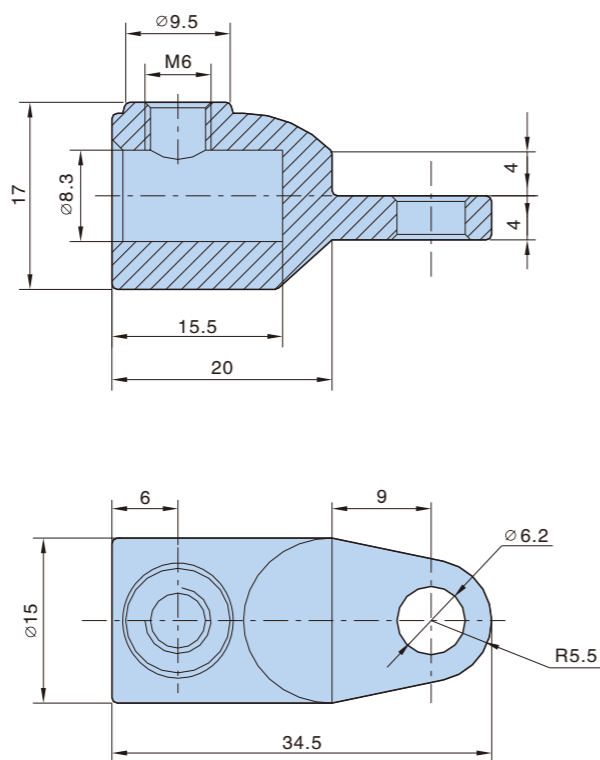
- 材质: 锌合金
- 表面处理: 镀蓝白锌
- Material: zinc-die casting
- Finish: white zinc plating

RA01

圆形拉杆接头 Round tie rod joint

圆形拉杆接头 Round tie rod joint

RA03



- 材质: 锌合金
- 表面处理: 镀蓝白锌
- Material: zinc-die casting
- Finish: white zinc plating

- 材质: 锌合金
- 表面处理: 镀蓝白锌
- Material: zinc-die casting
- Finish: white zinc plating

A拉手系列 Handles series

B平面锁系列 Plane lock series

C连杆锁系列 Rod control series

D面板锁系列 Plane lock series

E执手锁系列 Handle lock series

F转舌锁系列 Cam lock series

G铰链系列 Hinge series

H搭扣锁系列 Toggle lock series

I门销系列 Door bolt series

J电子锁系列 Electronic lock series

K密封条系列 Gasketing series

L限位系列 Door stop series

M附件系列 Accessories series

N不锈钢系列 Stainless steel series

索引 Index

A拉手系列 Handles series

B平面锁系列 Plane lock series

C连杆锁系列 Rod control series

D面板锁系列 Plane lock series

E执手锁系列 Handle lock series

F转舌锁系列 Cam lock series

G铰链系列 Hinge series

H搭扣锁系列 Toggle lock series

I门销系列 Door bolt series

J电子锁系列 Electronic lock series

K密封条系列 Gasketing series

L限位系列 Door stop series

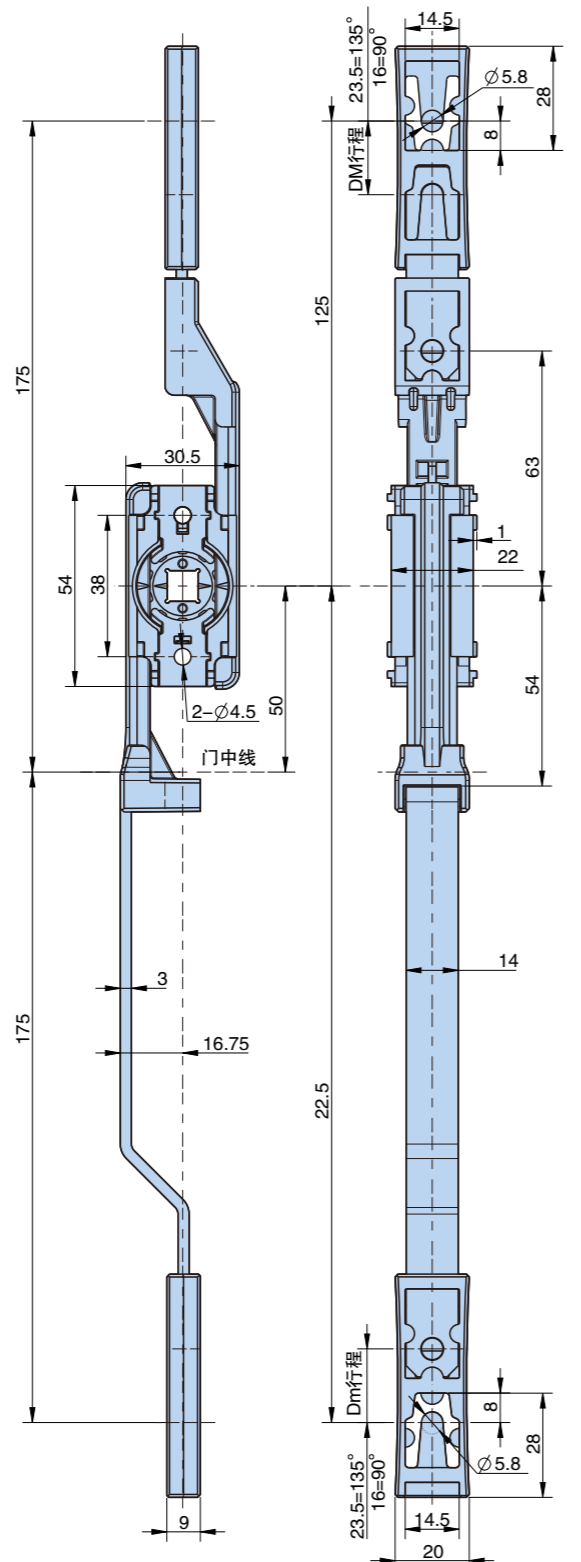
M附件系列 Accessories series

N不锈钢系列 Stainless steel series

索引 Index

MB01

齿轮盒组件 Gear box assembly



- 材质: PA齿轮盒, 长短齿条夹, 拉杆夹A3长, 短齿条
- 表面处理: 细火花齿轮盒, 镀蓝白锌齿条
- Material: PA gear box, long and short rack clamp, Tie rod clamp A3 long, short rack
- Surface treatment: fine spark gear box. Blue-white zinc-plated rack

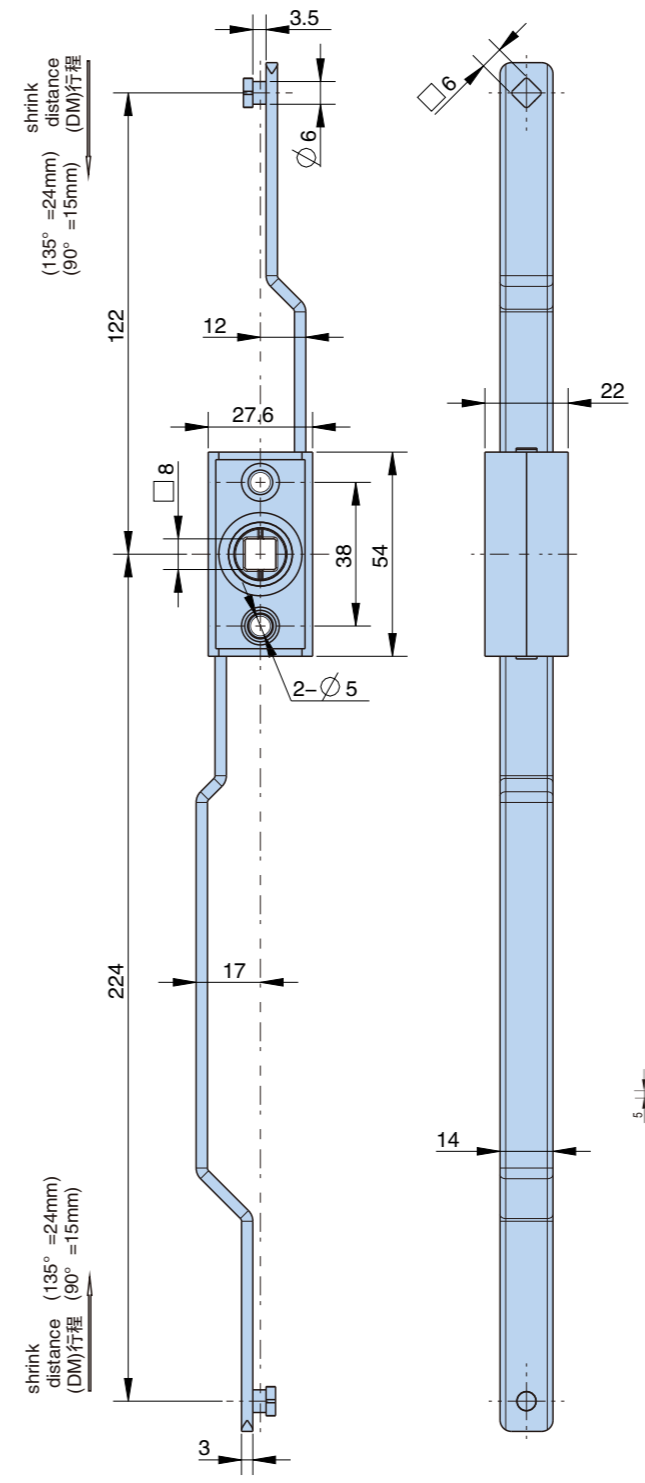
型号 Product no.	连接方式 Connection mode	备注
MB01	快捷卡扣 Quick buckle	

M013

恒珠柜锁 电话(TEL):0795-2119999, 3256555 E-mail: admin@hengzhu.com

Gear box assembly 齿轮盒组件

MB02



型号 Product no.	连接方式 Connection mode	备注
MB02A	带圆铆钉 Round Studs	
MB02B	带方铆钉 Square Studs	
MB02C	带5.2孔 5.2 Hole	

恒珠柜锁 电话(TEL):0795-2119999, 3256555 E-mail: admin@hengzhu.com

M014

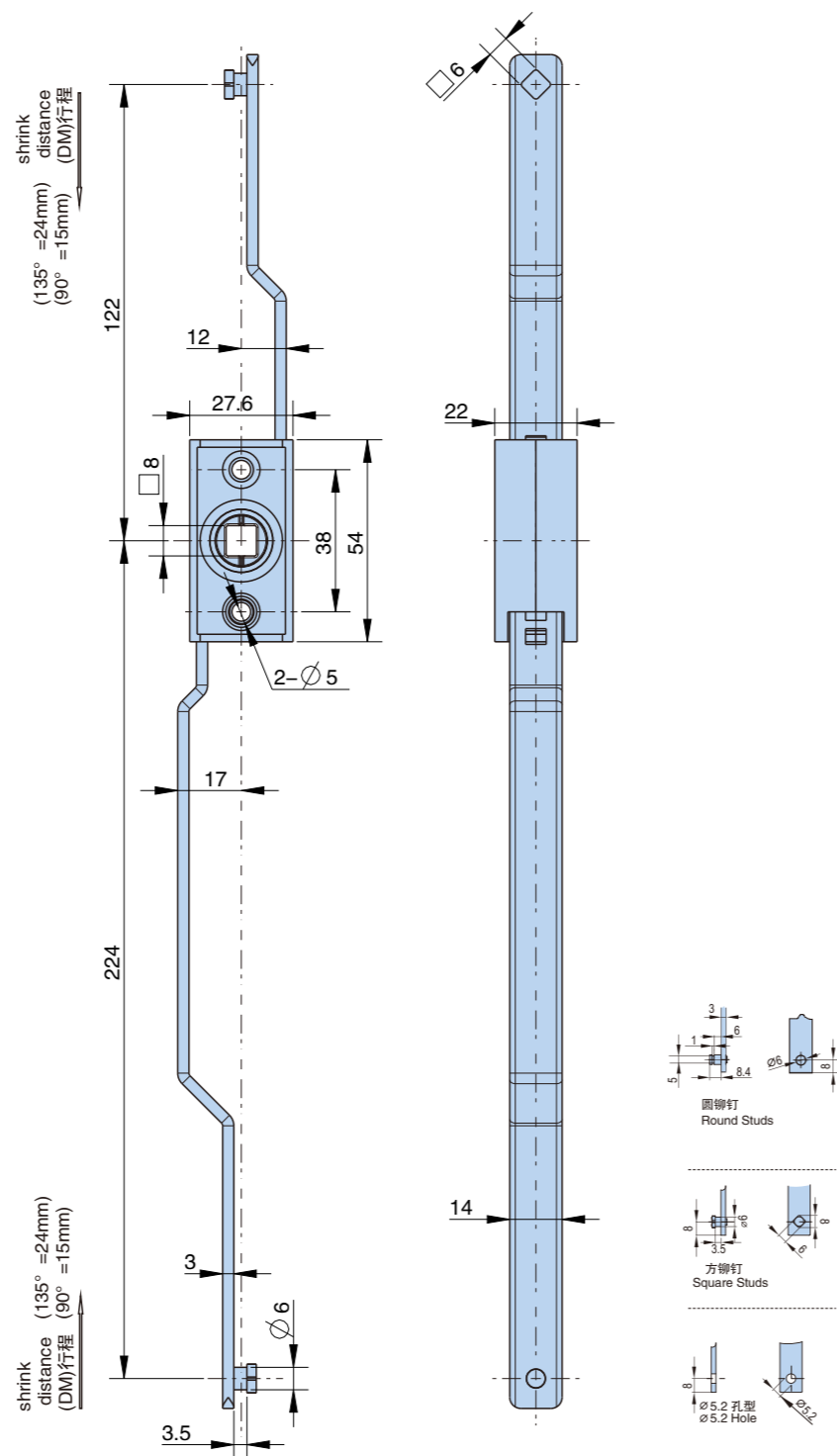
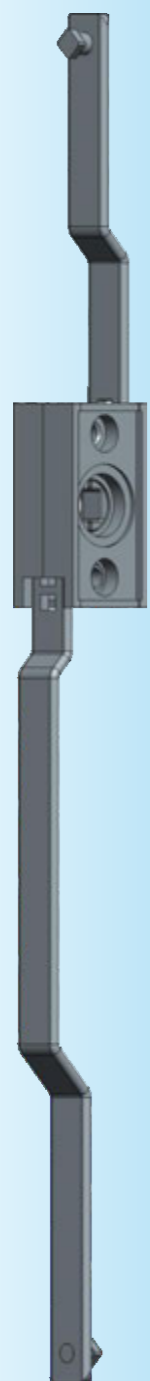
- 材质: 锌合金齿轮盒, A3长短齿条,
- 表面处理: 喷砂镀铬, 镀蓝白锌齿条

MB03

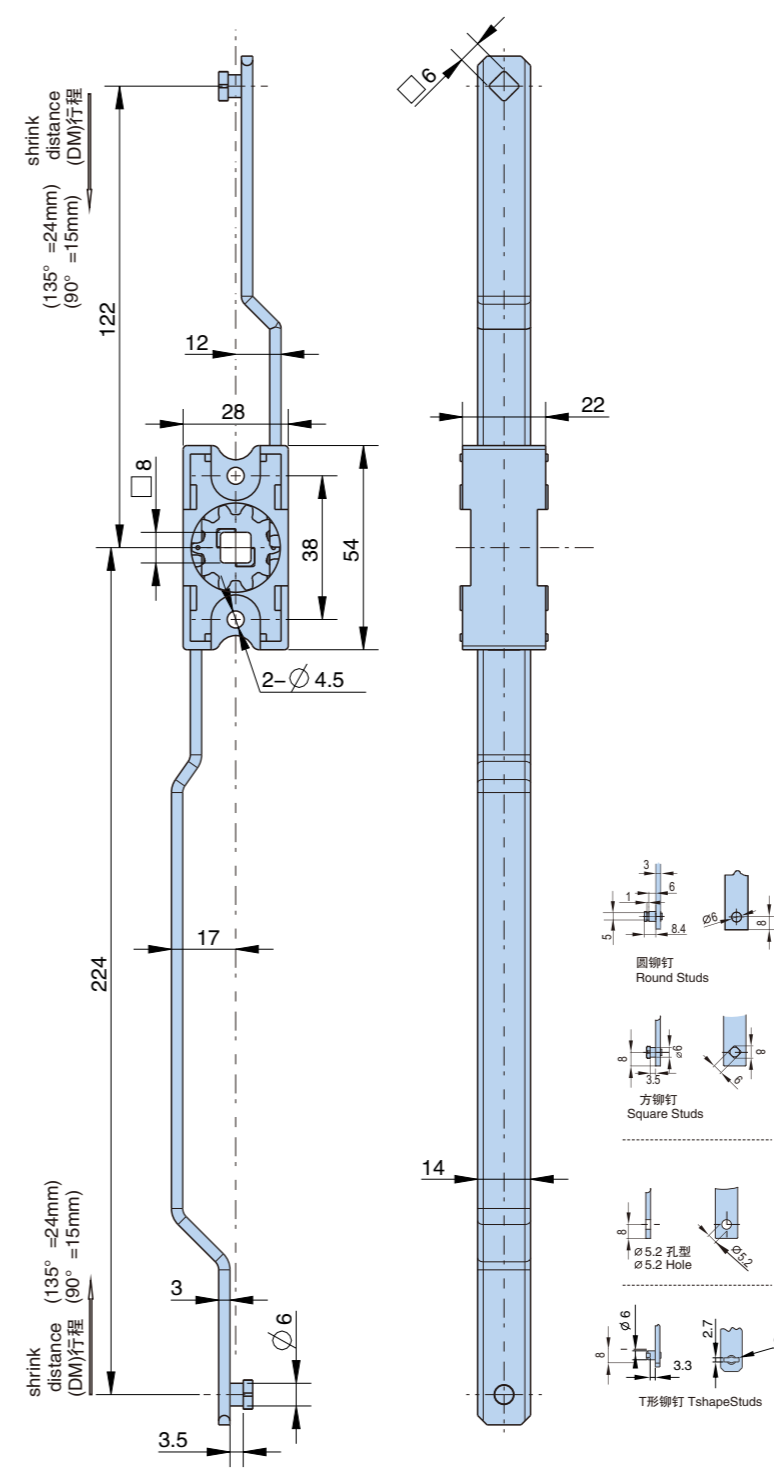
齿轮盒组件 Gear box assembly

Gear box assembly 齿轮盒组件

MB04



型号 Product no.	连接方式 Connection mode	备注
MB03A	带圆铆钉 Round Studs	
MB03B	带方铆钉 Square Studs	
MB03C	带5.2孔 5.2 Hole	



型号 Product no.	连接方式 Connection mode	备注
MB04A	带圆铆钉 Round Studs	
MB04B	带方铆钉 Square Studs	
MB04C	带5.2孔 5.2 Hole	
MB04D	T形铆钉 Tshape Studs	

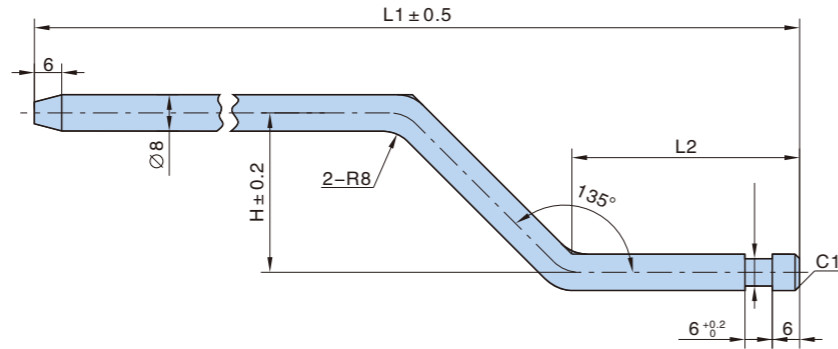
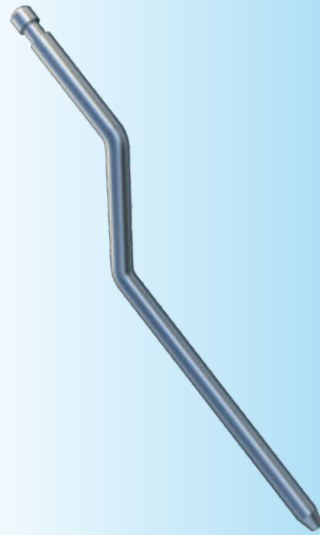


● 材质：锌合金齿轮盒，A3长短齿条，
● 表面处理：喷砂镀铬，镀蓝白锌齿条

● 材质：锌合金齿轮盒，A3长短齿条，
● 表面处理：喷砂镀铬，镀蓝白锌齿条

LG01F-1-8 x L

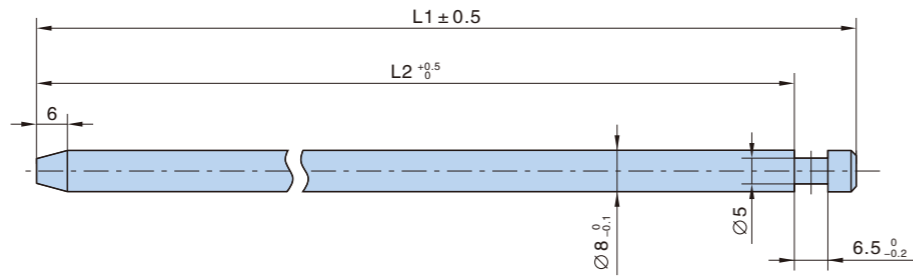
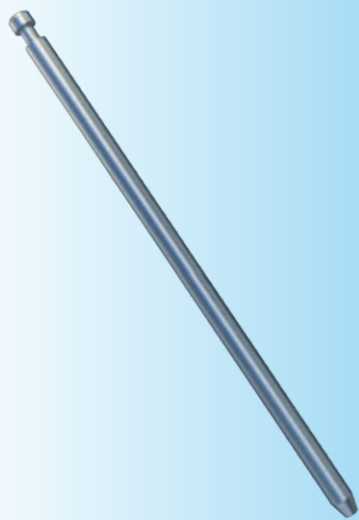
圆拉杆 Round Pull rod



代号	名称	L1	L2	H
LG01F-1-8x365		365	50	35
LG01F-1A-8x767		767	60	35
LG01F-1-8x670		670	47	32

LG01F-2-8 x L

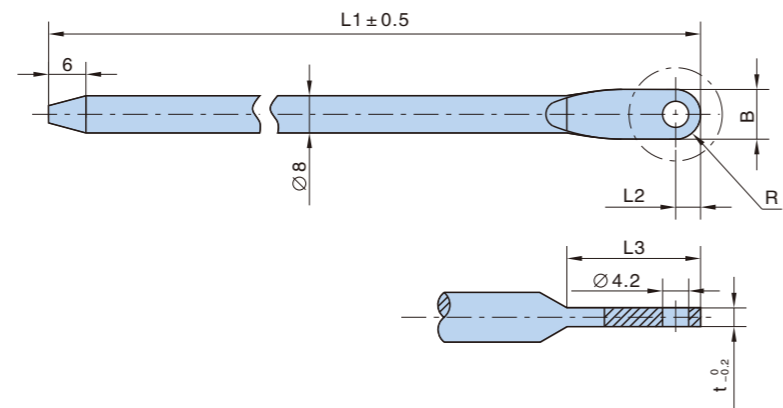
圆拉杆 Round Pull rod



代号	名称	L1	L2
LG01F-2-8x506		506	493.7
LG01F-2-8x398		398	387
LG01F-2-8x1000		1000	989
LG01F-2-8x394		394	383

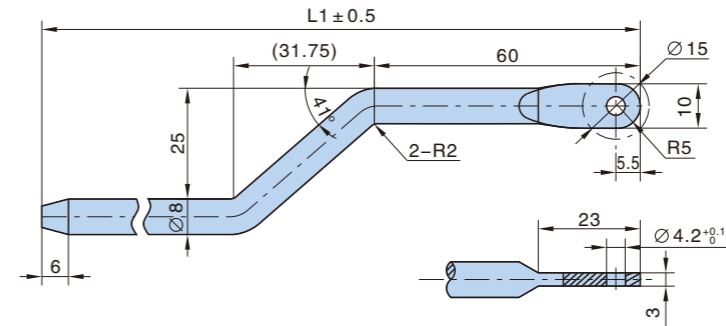
LG02F-1-8 x L

圆拉杆 Round Pull rod



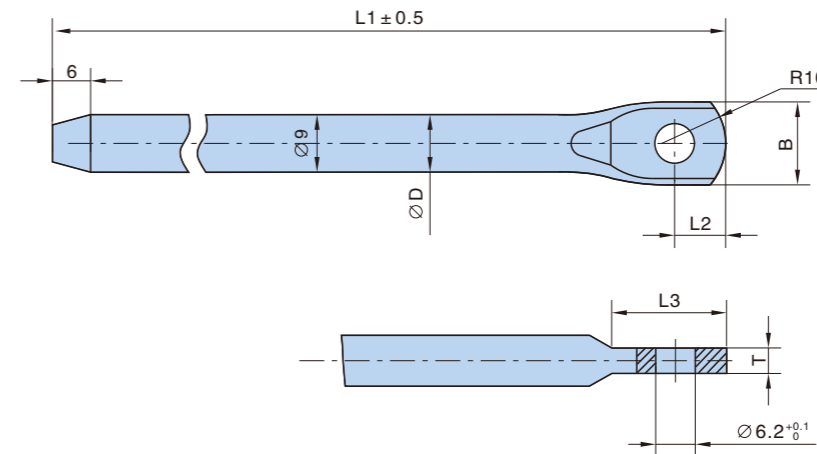
代号	名称	L1	L2	L3	t	R	B
LG02F-1-8x600		600	4	21.5	3	R4	8
LG02F-1-8x800		800	5.5	23	3	R5	10

圆拉杆 Round Pull rod



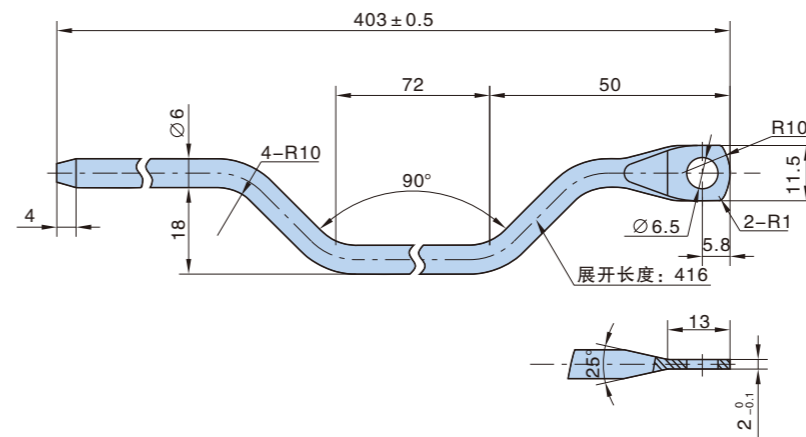
代号	名称	L1	展开长度	代号	名称	L1	展开长度
LG02F-2-8x699		699	709	LG02F-2-8x549		549	559
LG02F-2-8x749		749	759	LG02F-2-8x660		660	670
LG02F-2-8x898		898	908	LG02F-2-8x835		835	845
LG02F-2-8x585		585	595	LG02F-2-8x524		524	834
LG02F-2-8x649		649	659	LG02F-2-8x710		710	720
LG02F-2-8x760		760	770	LG02F-2-8x860		860	870
LG02F-2-8x849		849	859	LG02F-2-8x799		799	809
LG02F-2-8x810		810	820				

圆拉杆 Round Pull rod

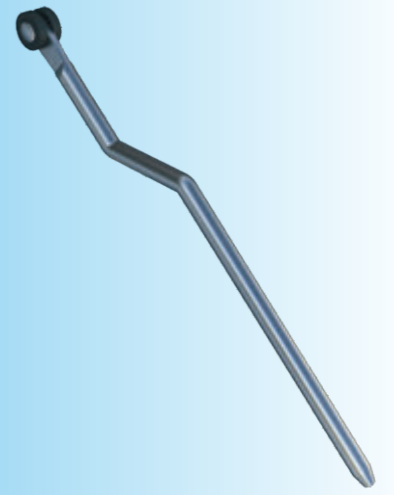


代号	名称	L1	L2	L3	T	D	B
LG02F-3-9x1023		1023	8	18	4	9	13
LG02F-3-6x300		300	5.75	13	2	6	11.5

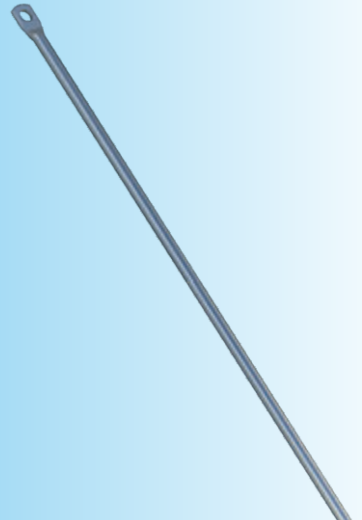
圆拉杆 Round Pull rod



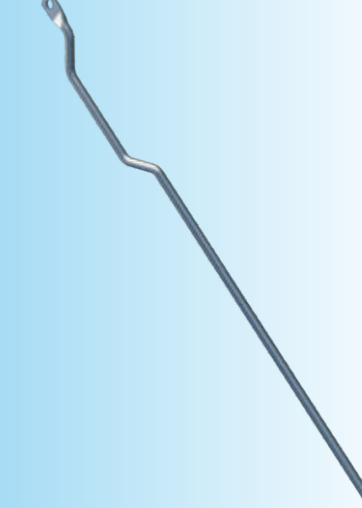
LG02F-2-8 x L



LG02F-3-9 x L

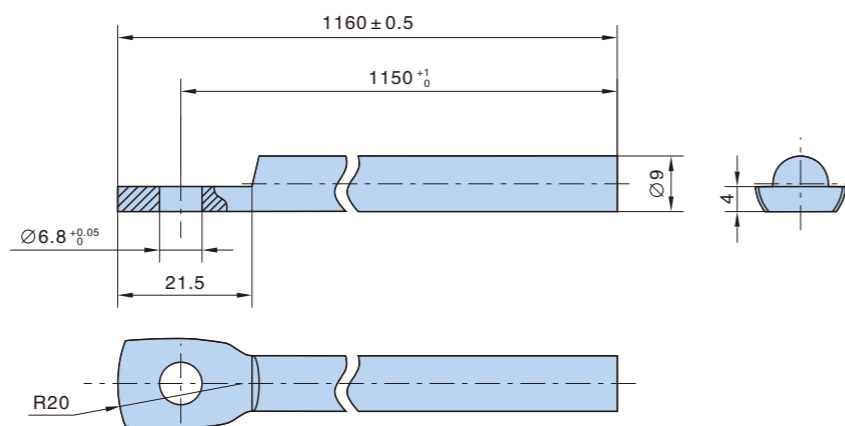
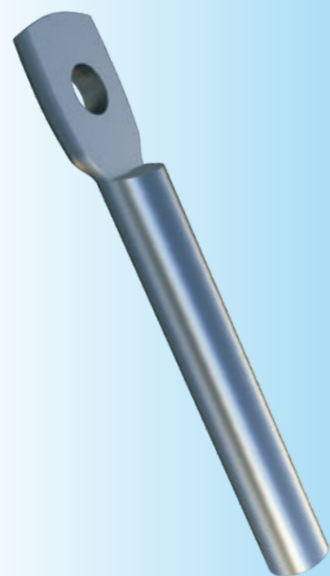


LG02F-4-6 x 403



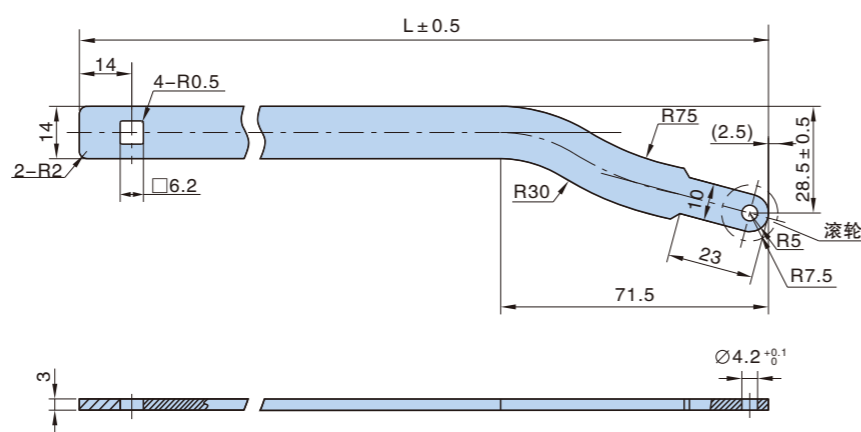
LG02F-4-9 × 1160

圆拉杆 Round Pull rod



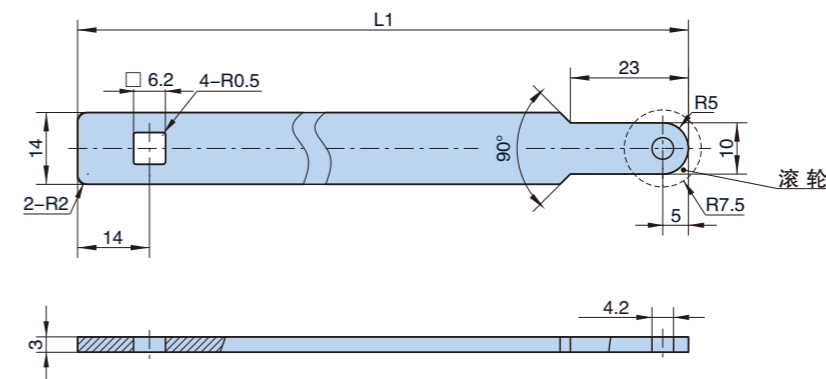
LG03F-1-3 × 14 × L

扁拉杆 Flat rod



序号	L取值	序号	L取值	序号
1	600	5	1000	9
2	700	6	1100	10
3	800	7	1200	11
4	900	8		

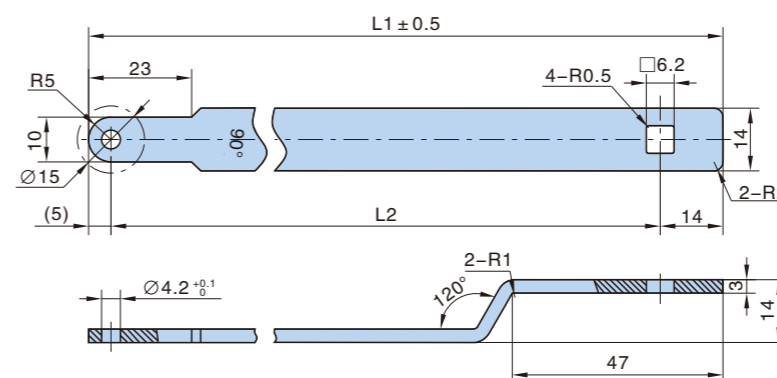
圆拉杆 Round Pull rod



代号	名称	L1
LG04F-1-3x14x600		600
LG04F-1-3x14x800		800
LG04F-1-3x14x1000		1000
LG04F-1-3x14x1200		1200

扁拉杆 Flat rod

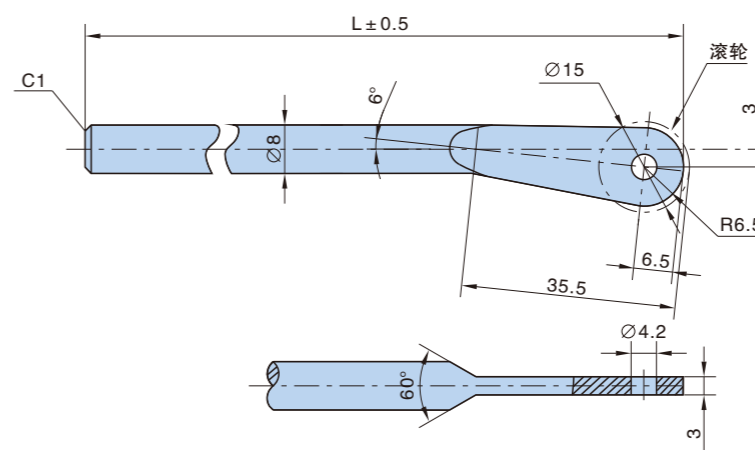
LG04F-2-3 × 14 × L



代号	名称	L1	L2
LG04F-2-3x14x736.5		736.5	717.5
LG04F-2-3x14x836.5		836.5	817.5

圆拉杆 Round Pull rod

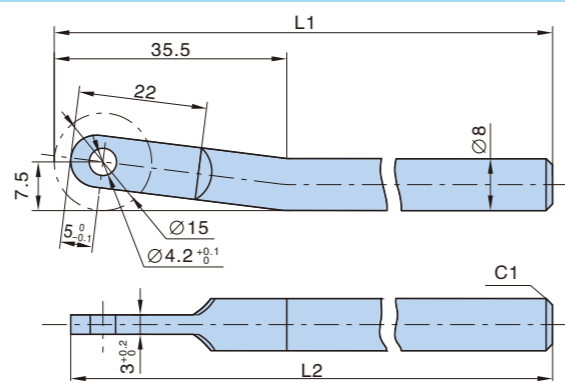
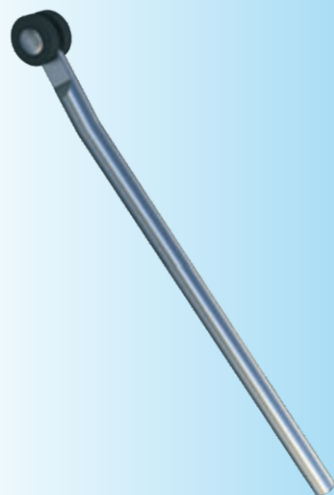
LG05F-1-8 × L



代号	名称	长度L
LG05F-1-8x999		999
LG05F-1-8x599		599

LG05F-2-8XL

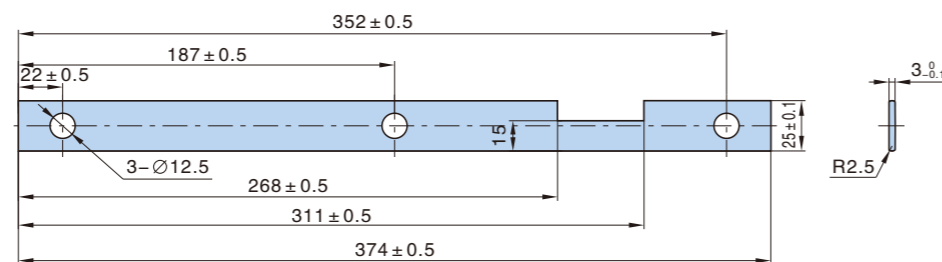
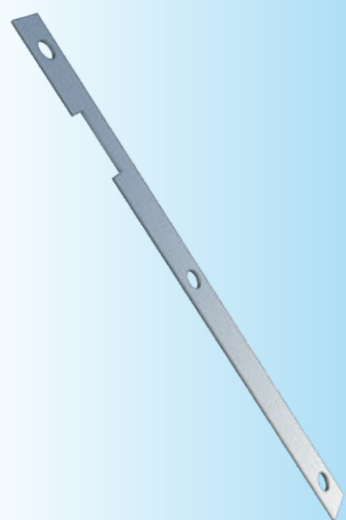
圆拉杆 Round Pull rod



代号	名称	L1	L2	代号	名称	L1	L2
LG05F-2-8x1197.5		1200	1197.5	LG05F-2-8x907.5		910	907.5
LG05F-2-8x1027.5		1030	1027.5	LG05F-2-8x807.5		810	807.5
LG05F-2-8x987.5		990	987.5				
LG05F-2-8x897.5		900	897.5				
LG05F-2-8x697.5		700	697.5				

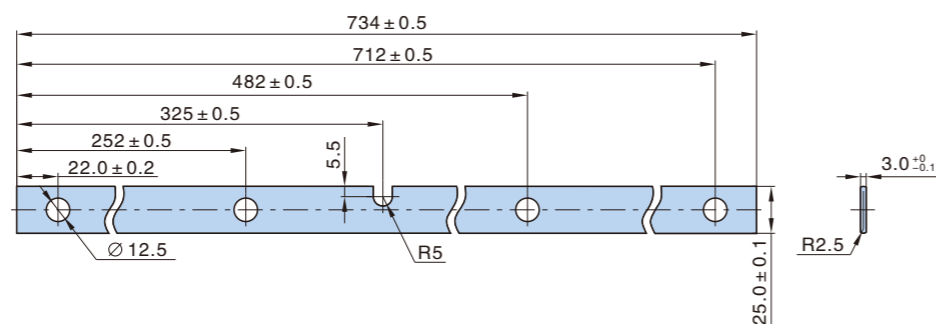
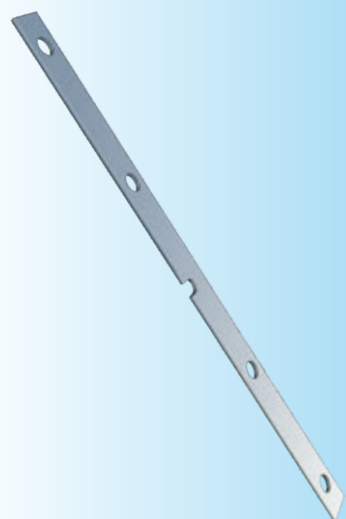
LG06F-1-3 × 25 × 374

扁拉杆 Flat rod

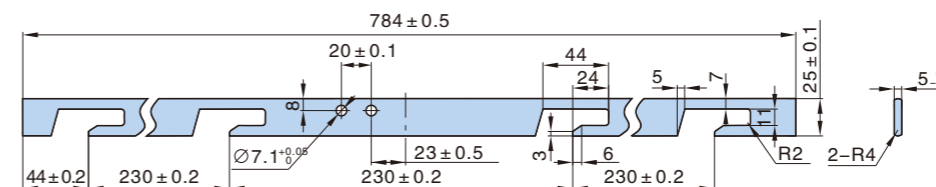


LG06F-1-3 × 25 × 734

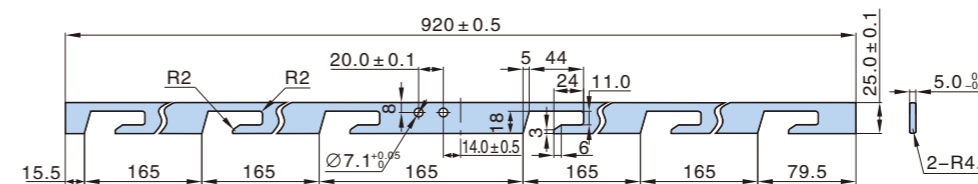
扁拉杆 Flat rod



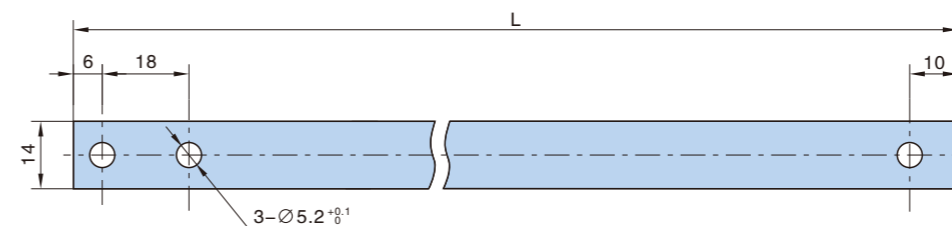
扁拉杆 Flat rod



扁拉杆 Flat rod

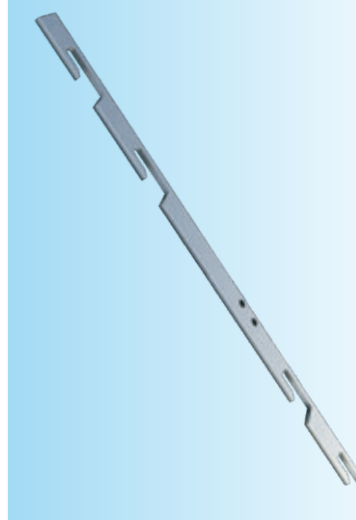


扁拉杆 Flat rod

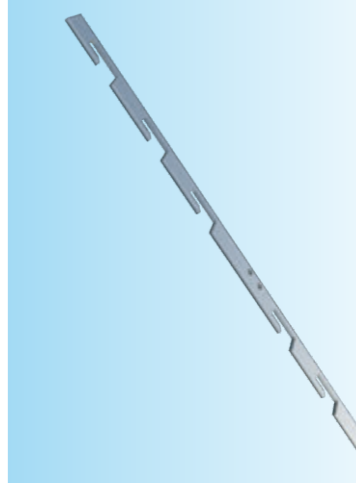


代号	名称	L
LG06F-2-3x14x775		775
LG06F-2-3x14x715		715

LG06F-1-5 × 25 × 784



LG06F-1-5 × 25 × 920

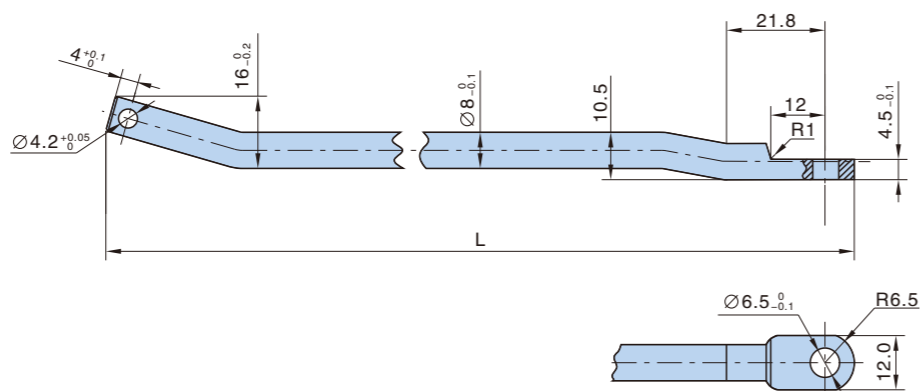


LG06F-2-3 × 14 × L



LG07F-1-8 x L

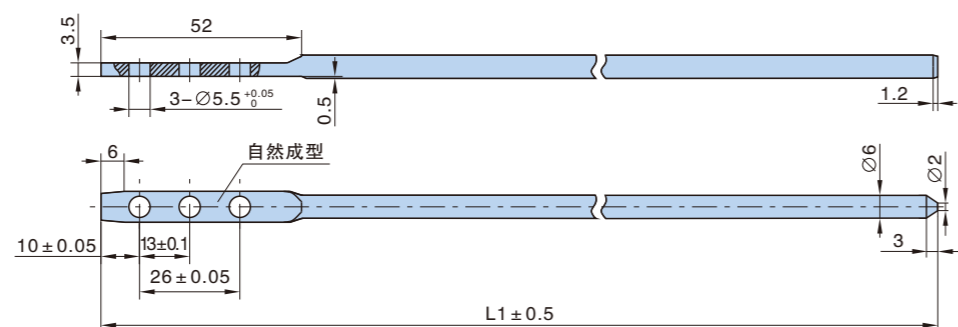
圆拉杆 Round Pull rod



代号	名称	L	展开长度
LG07F-1-8x530		530	528.5
LG07F-1-8x750		750	748

LG08F-1-6 x L

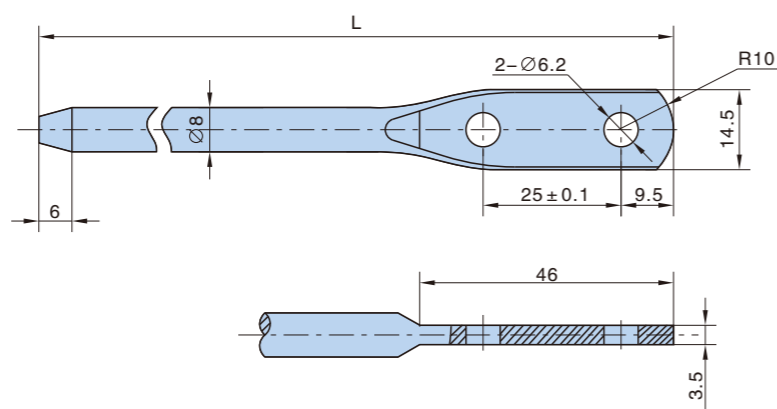
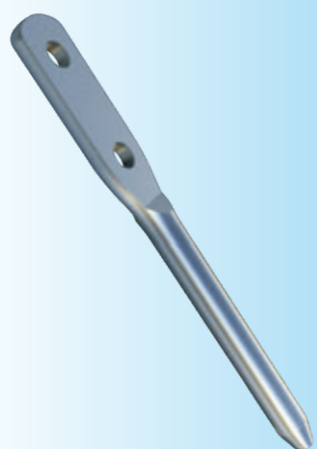
扁拉杆 Flat rod



代号	名称	L1
LG08F-1-6x400		400
LG08F-1-6x360		360

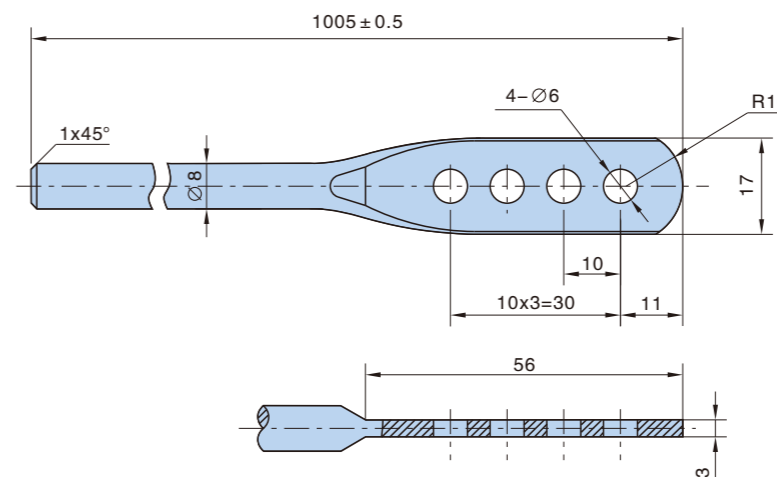
LG08F-2-8 x L

圆拉杆 Round Pull rod

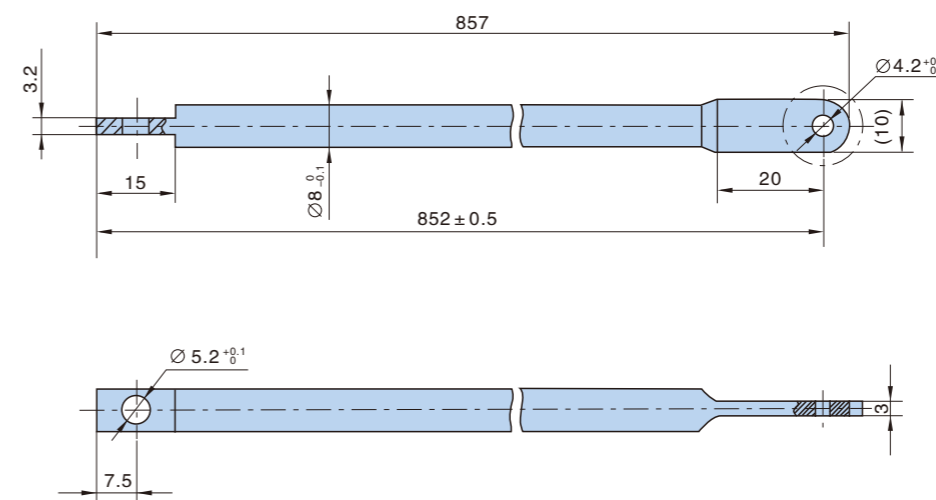


代号	名称	L	代号	名称	L
LG08F-2-8x813		813	LG08F-2-8x673		673
LG08F-2-8x965		965	LG08F-2-8x840		840
LG08F-2-8x848		848	LG08F-2-8x676		676
LG08F-2-8x1016		1016			
LG08F-2-8x847.5		847.5			

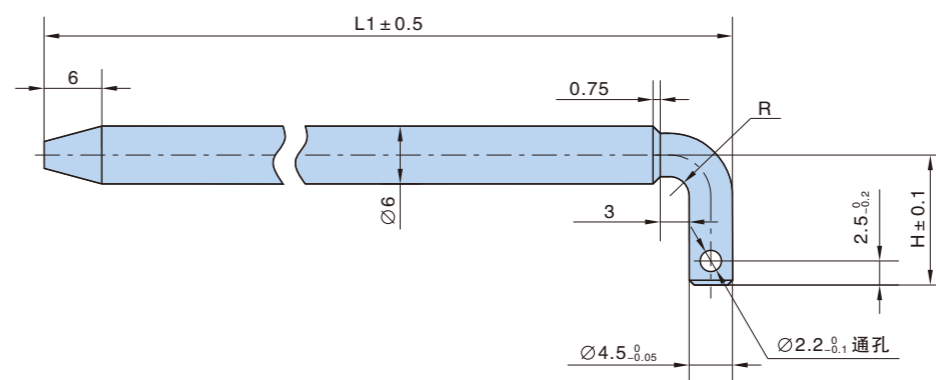
圆拉杆 Round Pull rod



圆拉杆 Round Pull rod



圆拉杆 Round Pull rod



代号	名称	L1	H	R	展开长度
LG10F-1-6x600		600	13.5	R2	609.5
LG10F-1-6x800		800	17.3	R0.5	815

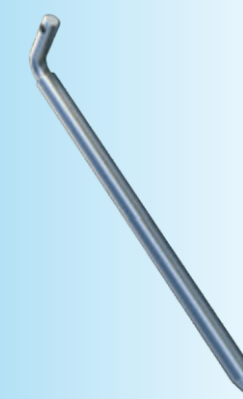
LG08F-3-8 x 1005



LG09F-1-8 x 857

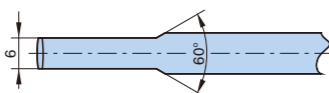
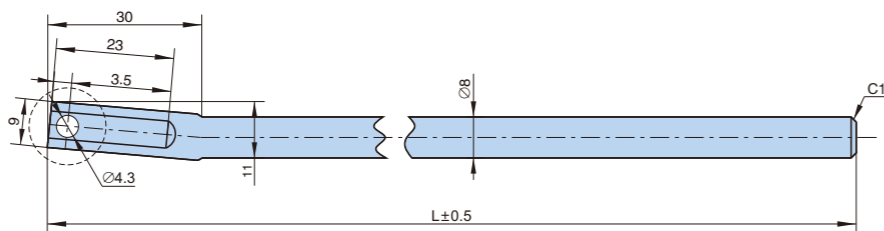


LG10F-1-6 x L



LG11F-1-8 x L

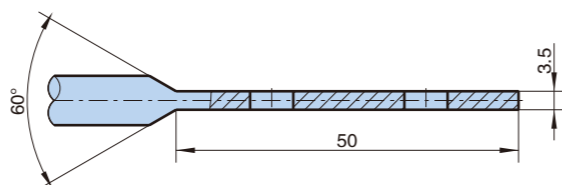
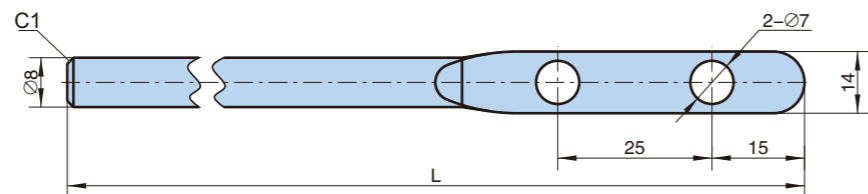
圆拉杆 Round Pull rod



代号	名称	L
LG011F-1-8x1100		1100
LG011F-1-8x1000		1000
LG011F-1-8x900		900
LG011F-1-8x412		412

LG12F-1-8xL

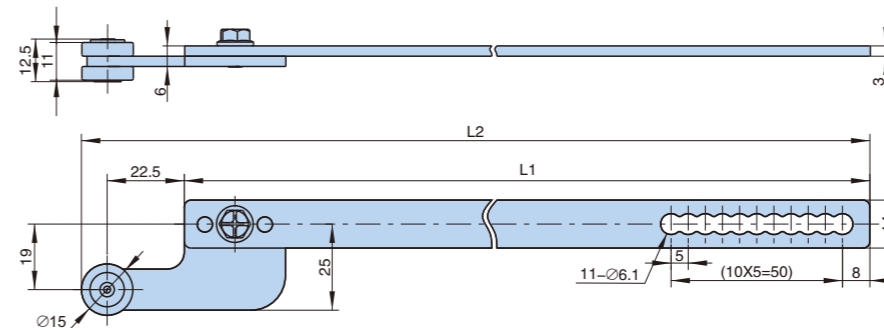
圆拉杆 Round Pull rod



代号	名称	L
LG12F-1-8x700		700
LG12F-1-8x700		580

扁拉杆 Flat rod

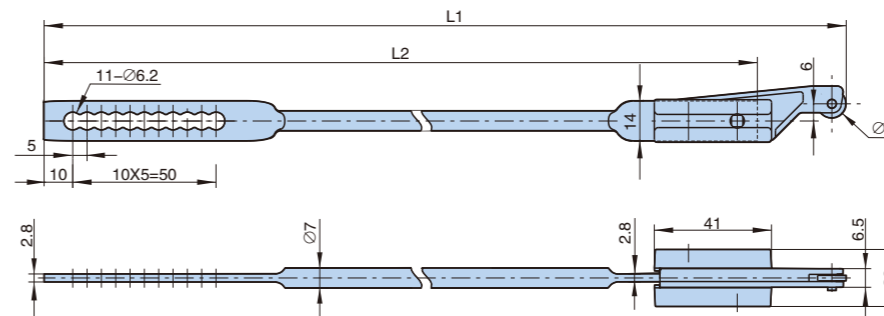
LG13F-1-3x14XL



代号	名称	L1	L2
LG13F-1-3x14xL		828	858

扁拉杆 Flat rod

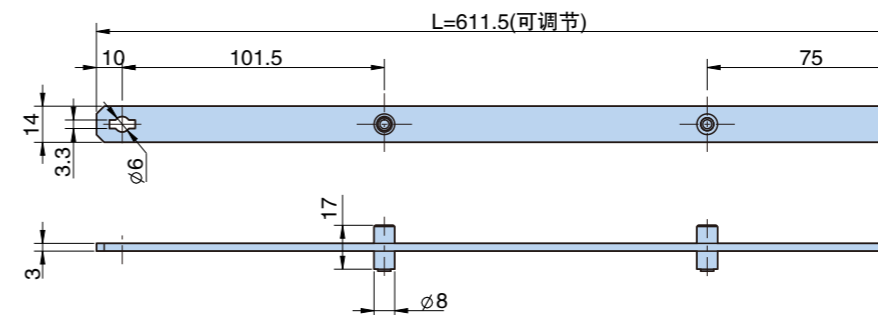
LG14F-1-7xL



代号	名称	L1	L2
LG14F-1-7x870		900	870
LG14F-1-7x876		906	876
LG14F-1-7x917		947	917

扁拉杆 Flat rod

LG15F-1-3x14xL



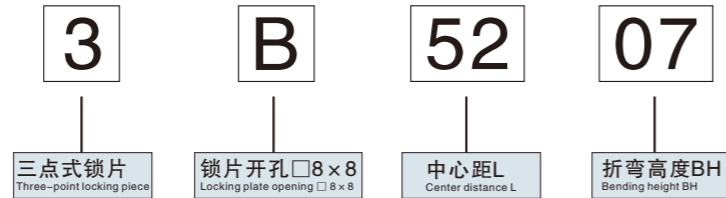
材质: A3拉杆, 铜销子, 销帽
表面处理: 镀蓝白锌,
结构功能: 与RG08-2拉杆套, 配套使用

代号	名称	L1
LG15F-1-3*14*L		611.5

锁片

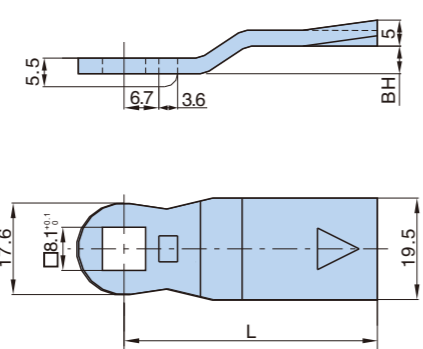
Lock piece

锁片编号说明:
Locking plate number description:

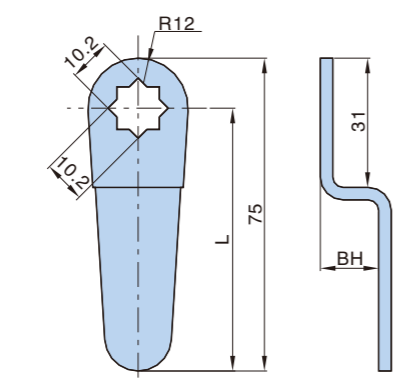
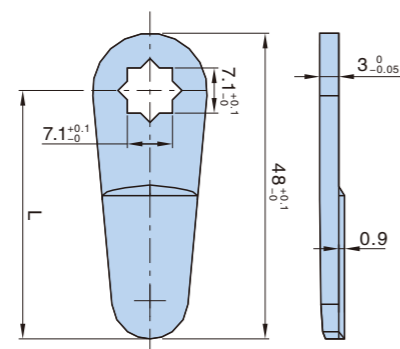


锁片形式 Lock form	
1	单点式锁片
2	两点式锁片
3	三点式锁片

锁片开孔 Locking plate openings	
A	锁片开孔 7x7
B	锁片开孔 8x8
C	锁片开孔 10x10
D	异形锁片开孔
M	梅花孔
N	棱形孔



● 备注: 此种锁片有带点和不带点之分。
● Remarks: This type of lock has points with and without points.



编号 Numbering	折弯 高度BH	中心L
1B3635	35	36
1B3630	30	36
1B3925	25	39
1B3920	20	39
1B4208	8	42
1B4500	00	45
1B451.5	1.5	45
1B4504	04	45
1B4505	05	45
1B4506	06	45
1B4510	10	45
1B4512	12	45
1B4515	15	45
1B4525	25	45
1B4600	0	46
1B4707	7	47
1B4710	10	47
1B4905	05	49
1B4915	15	49
1B4925	25	49
1B5003	3	50
1B5303	3	53

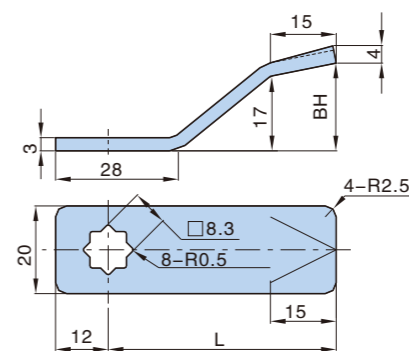
编号 Numbering	折弯 高度BH	中心L
1AM3900	0	39
1AM3500	0	35

编号 Numbering	折弯 高度BH	中心L
1CM4000	0	40
1CM4510	10	45
1CM6314	14	63
1CM7300	0	73

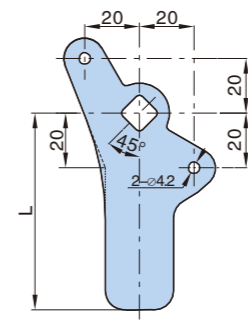
Lock piece

锁片

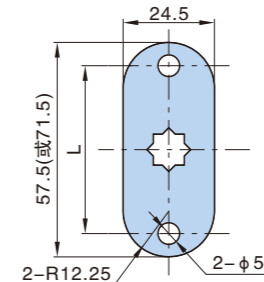
编号 Numbering	折弯 高度BH	中心L
1CM5220	20	52
1BN5805	5	58
1BN5220	20	52
1BN5800	0	58
1BN8700	22	58



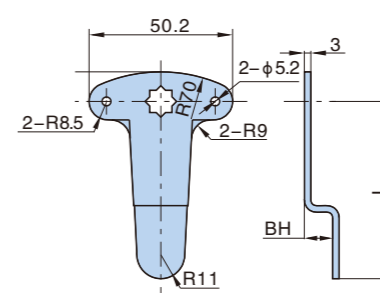
编号 Numbering	折弯 高度BH	中心L
3BN6500	0	65
3CN7200	0	72
3CN10000	0	100
3CN14000	0	140



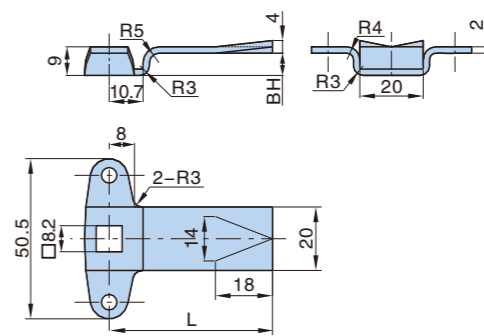
编号 Numbering	折弯 高度BH	中心L
2BM3500	0	35
2B3800	0	38
2CM40.500	0	40.5
2CM5000	0	50
2BM4500	0	45



编号 Numbering	折弯 高度BH	中心L
3CM50.500	0	50.5
3C6012	12	60
3CM8800	10	55
3CM8800	0	88
3CN800	0	88
3B800	0	88



编号 Numbering	折弯 高度BH	中心L
3B44.54.5	4.5	44.5
3B4612	12	46
3B5200	00	52
3B5708	8	57
3B6012	12	60



锁头组件

Lock assembly

Lock assembly

锁头组件

A拉手系列
Handles series

B平面锁系列
Plane lock series

C连杆锁系列
Rod control series

D面板锁系列
Plane lock series

E执手锁系列
Handle lock series

F转舌锁系列
Cam lock series

G铰链系列
Hinge series

H搭扣锁系列
Toggle lock series

I门销系列
Door bolt series

J电子锁系列
Electronic lock series

K密封条系列
Gasketing series

L限位系列
Door stop series

M附件系列
Accessories series

N不锈钢件系列
Stainless steel series

A拉手系列
Handles series

B平面锁系列
Plane lock series

C连杆锁系列
Rod control series

D面板锁系列
Plane lock series

E执手锁系列
Handle lock series

F转舌锁系列
Cam lock series

G铰链系列
Hinge series

H搭扣锁系列
Toggle lock series

I门销系列
Door bolt series

J电子锁系列
Electronic lock series

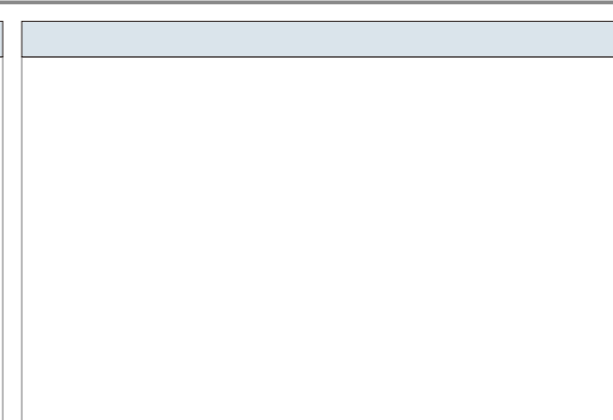
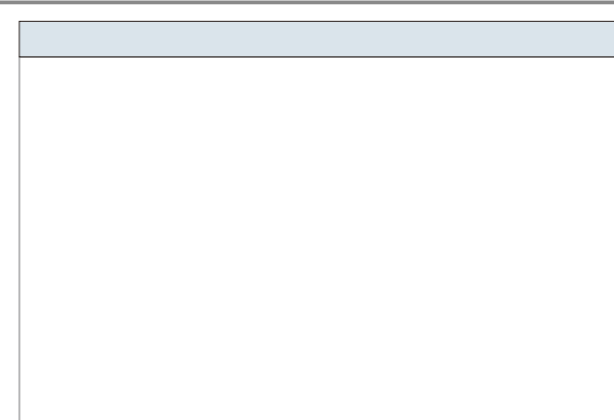
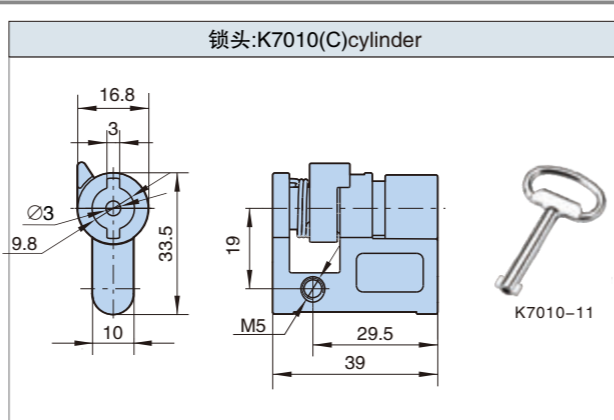
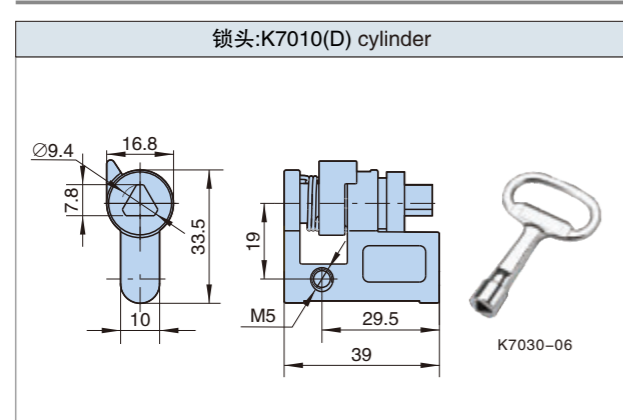
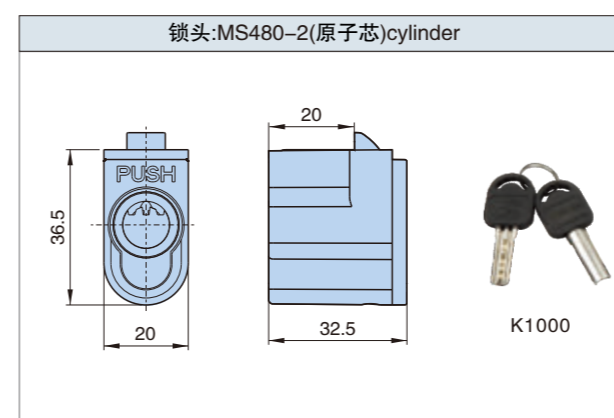
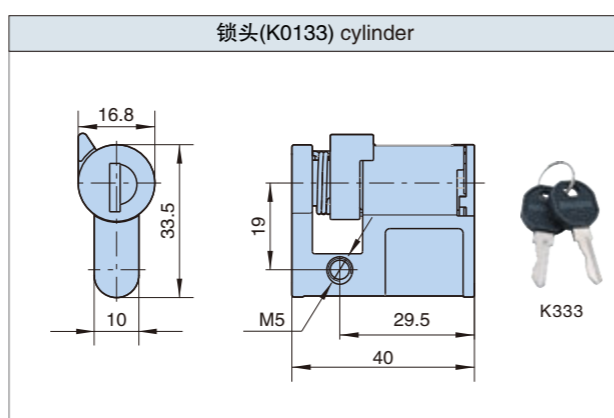
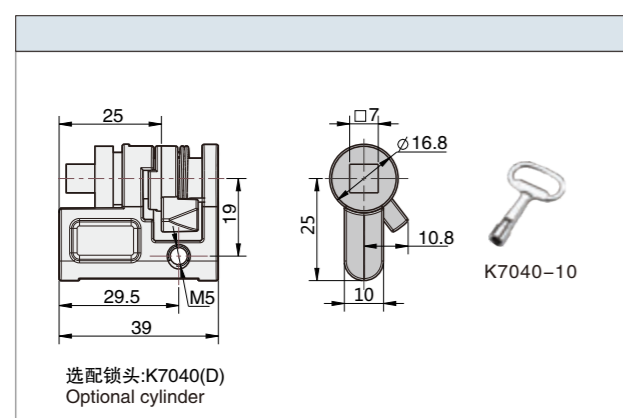
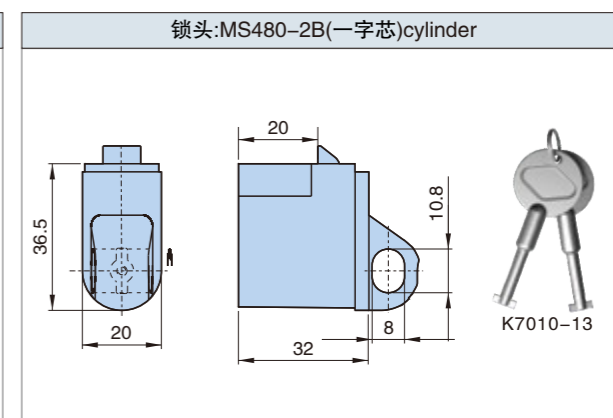
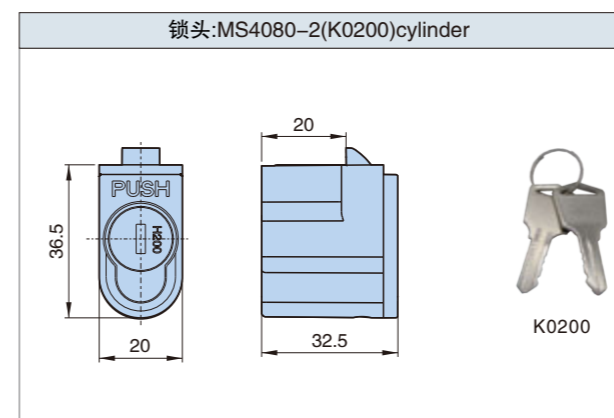
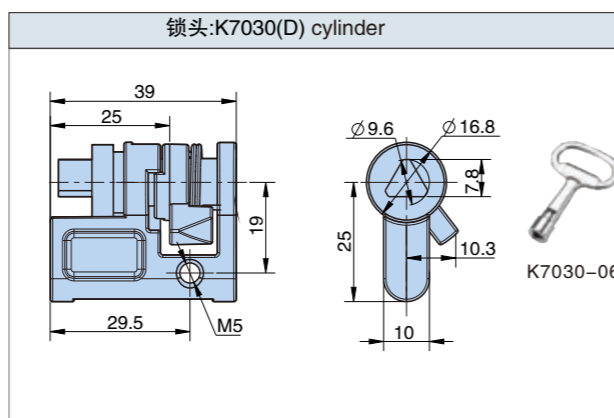
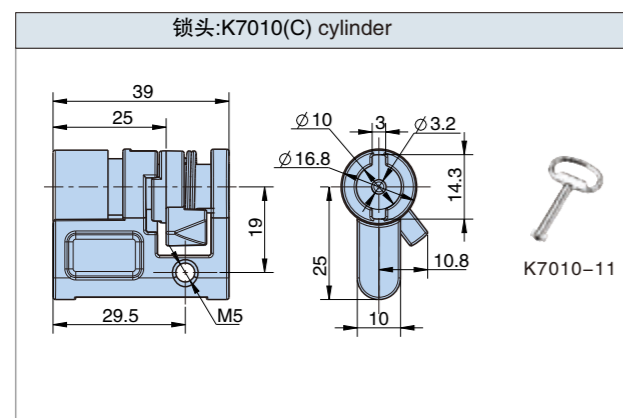
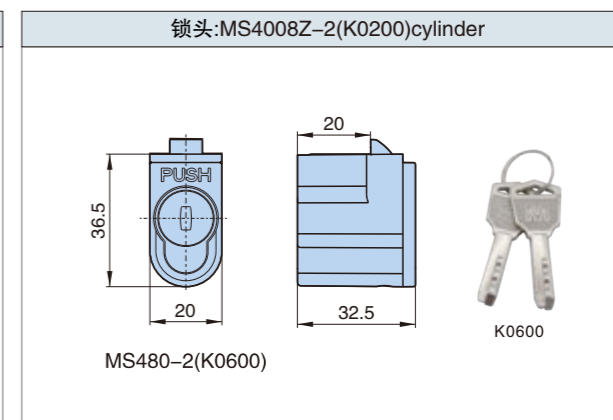
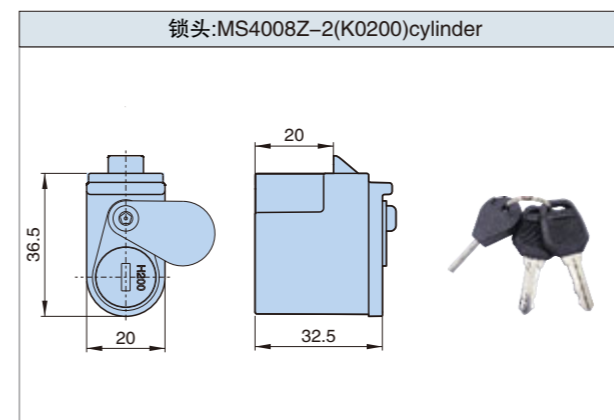
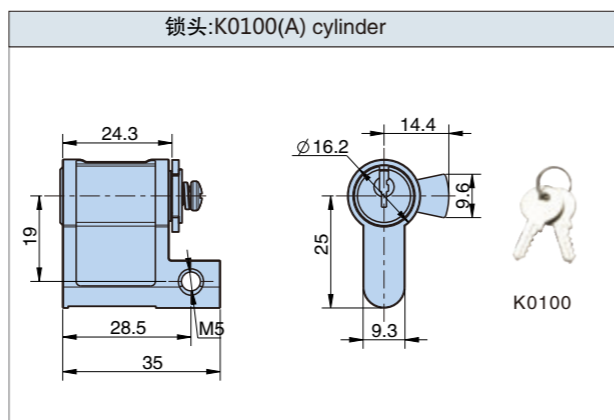
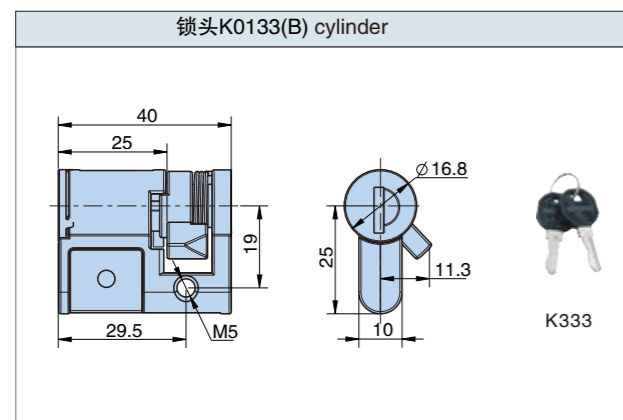
K密封条系列
Gasketing series

L限位系列
Door stop series

M附件系列
Accessories series

N不锈钢件系列
Stainless steel series

索引
Index



钥匙

key



K1000

K0200(塑料柄1)

K0200 (塑料柄2)

K0200 (全锌料)

K0200 (全铜)



K0600

K0540

K0300

K0400

K0580



K0100

MS606

K8260

CH751

K0570



K333

K8080

K6061

K0510

K8180

Tool key

工具钥匙

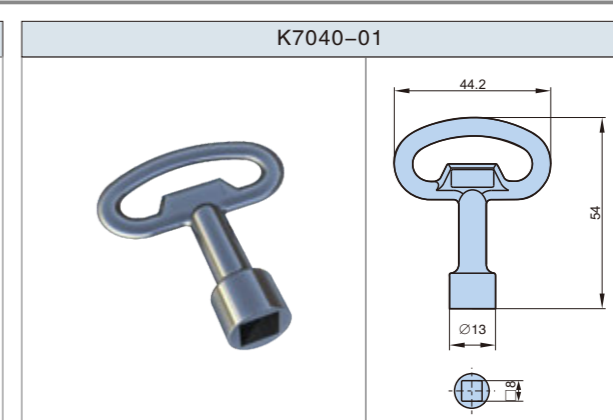
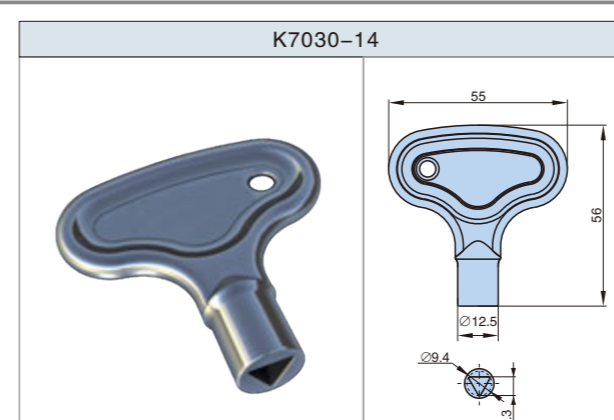
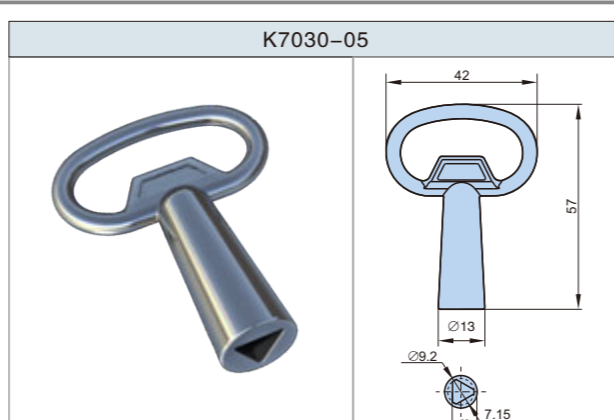
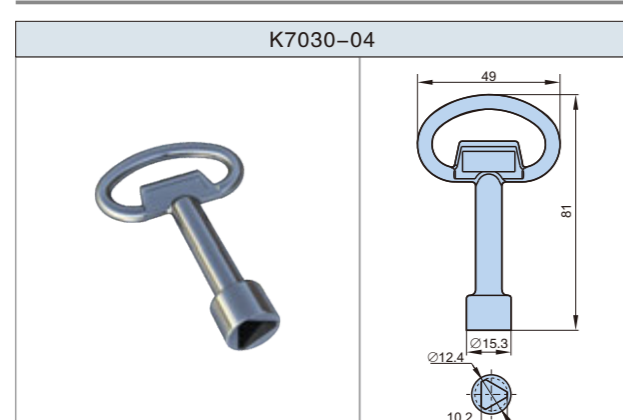
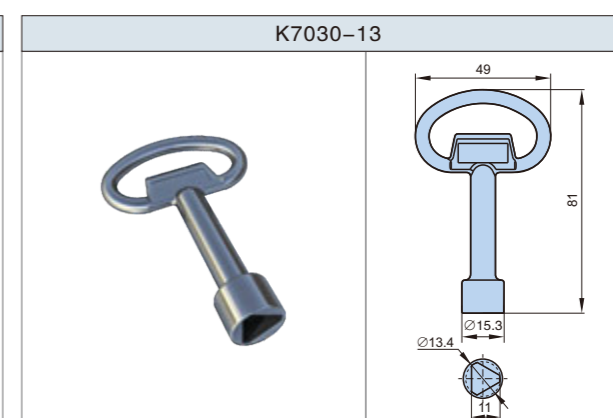
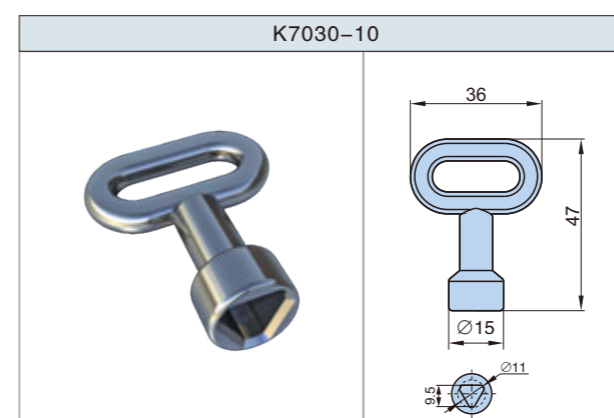
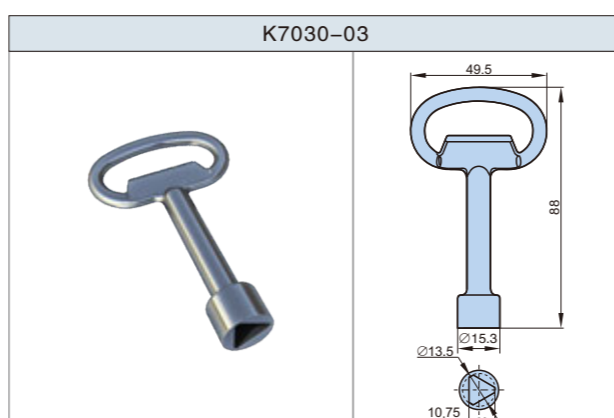
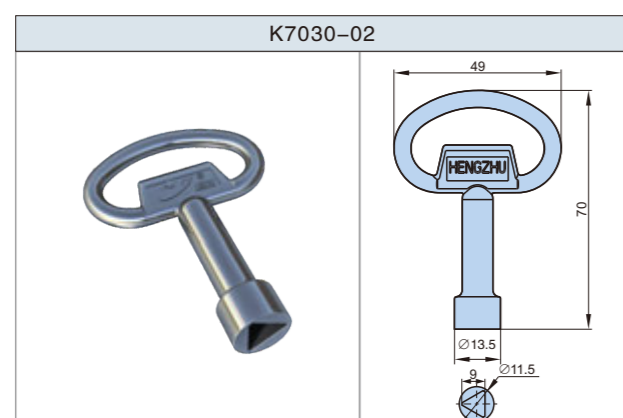
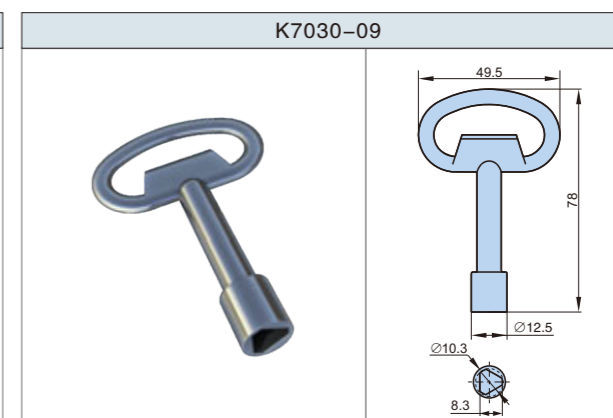
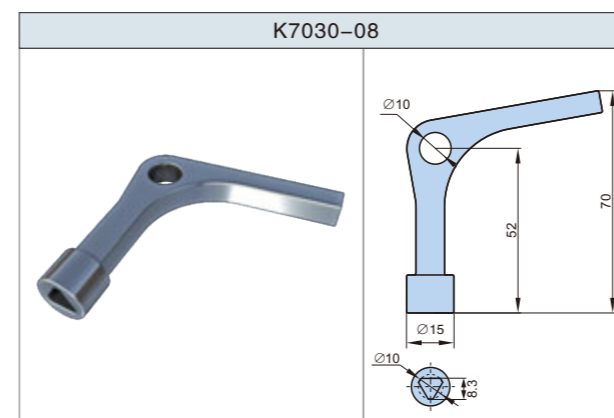
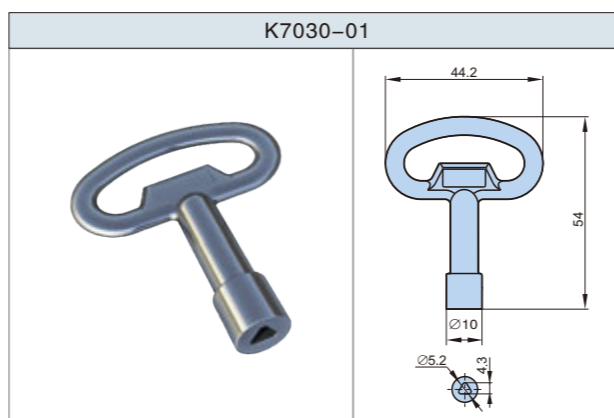
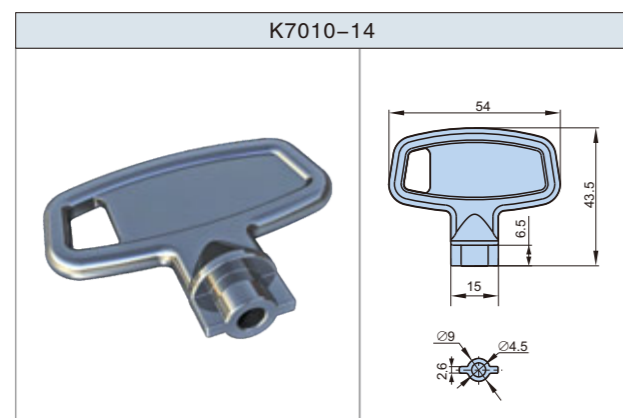
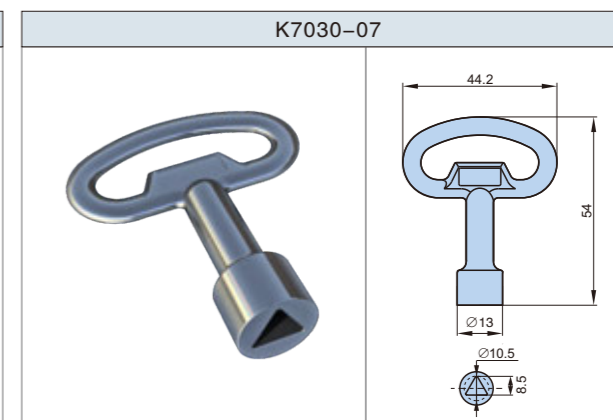
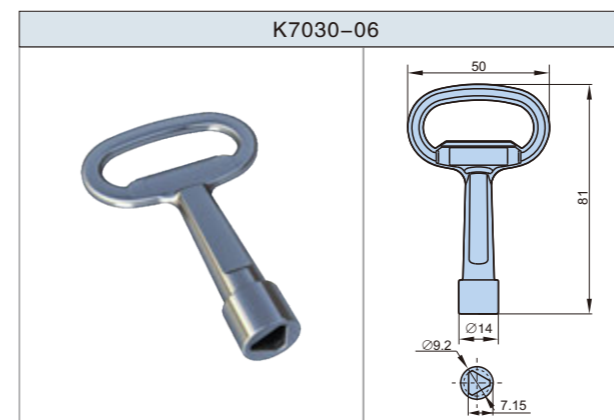
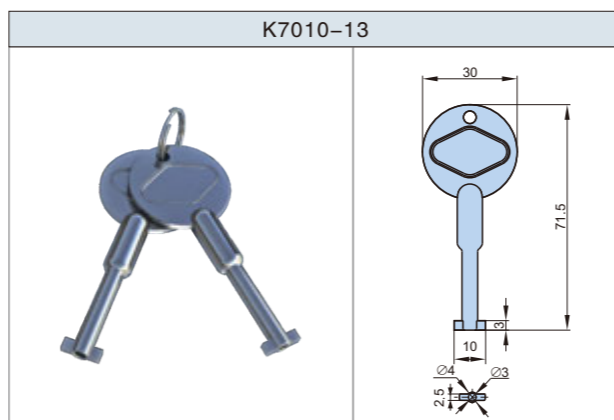
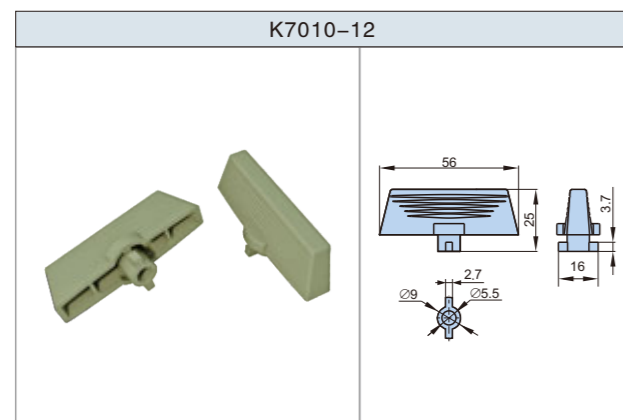


工具钥匙

Tool key

Tool key

工具钥匙



A拉手系列
Handles series

B平面锁系列
Plane lock series

C连杆锁系列
Rod control series

D面板锁系列
Plane lock series

E执手锁系列
Handle lock series

F转舌锁系列
Cam lock series

G铰链系列
Hinge series

H搭扣锁系列
Toggle lock series

I门销系列
Door bolt series

J电子锁系列
Electronic lock series

K密封条系列
Gasketing series

L限位系列
Door stop series

M附件系列
Accessories series

N不锈钢件系列
Stainless steel series

A拉手系列
Handles series

B平面锁系列
Plane lock series

C连杆锁系列
Rod control series

D面板锁系列
Plane lock series

E执手锁系列
Handle lock series

F转舌锁系列
Cam lock series

G铰链系列
Hinge series

H搭扣锁系列
Toggle lock series

I门销系列
Door bolt series

J电子锁系列
Electronic lock series

K密封条系列
Gasketing series

L限位系列
Door stop series

M附件系列
Accessories series

N不锈钢件系列
Stainless steel series

工具钥匙

Tool key

Tool key

工具钥匙

K7040-02		K7040-03	
K7040-04		K7040-05	
K7040-06		K7040-07	
K7040-08		K7040-09	

K7040-10		K7060-01	

QT002Z-101 (多功能工具钥匙 Multifunctional tool keys)

材质: 锌合金
 表面处理: 喷砂镀铬
 Material: Zinc alloy
 Finish: Sandblasting bright chrome plating

A拉手系列 Handles series

B平面锁系列 Plane lock series

C连杆锁系列 Rod control series

D面板锁系列 Plane lock series

E执手锁系列 Handle lock series

F转舌锁系列 Cam lock series

G铰链系列 Hinge series

H搭扣锁系列 Toggle lock series

I门销系列 Door bolt series

J电子锁系列 Electronic lock series

K密封条系列 Gasketing series

L限位系列 Door stop series

M附件系列 Accessories series

N不锈钢件系列 Stainless steel series

A拉手系列 Handles series

B平面锁系列 Plane lock series

C连杆锁系列 Rod control series

D面板锁系列 Plane lock series

E执手锁系列 Handle lock series

F转舌锁系列 Cam lock series

G铰链系列 Hinge series

H搭扣锁系列 Toggle lock series

I门销系列 Door bolt series

J电子锁系列 Electronic lock series

K密封条系列 Gasketing series

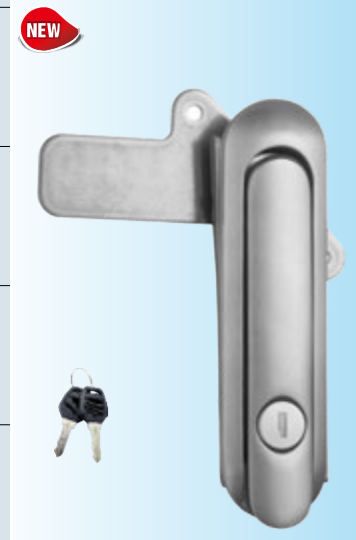
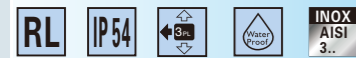
L限位系列 Door stop series

M附件系列 Accessories series

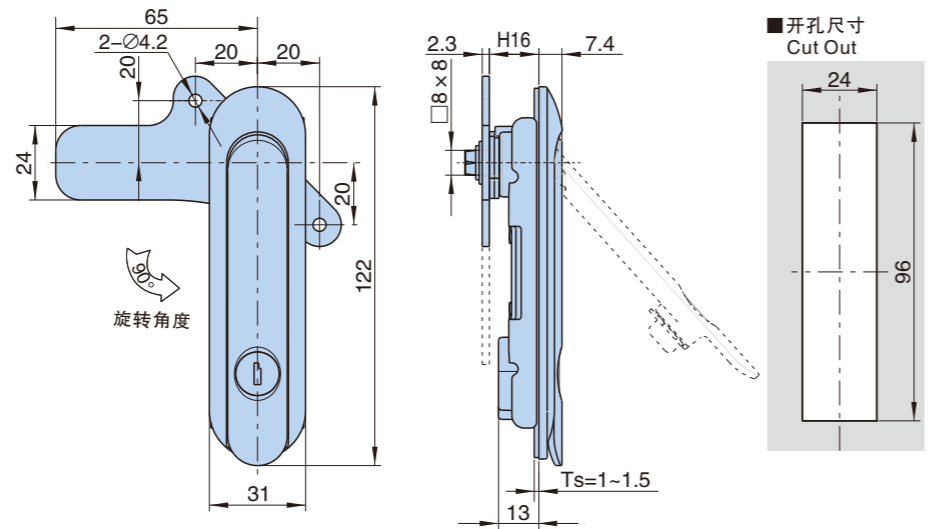
N不锈钢件系列 Stainless steel series

MS6020S

旋转式平面锁 Rotary plane lock

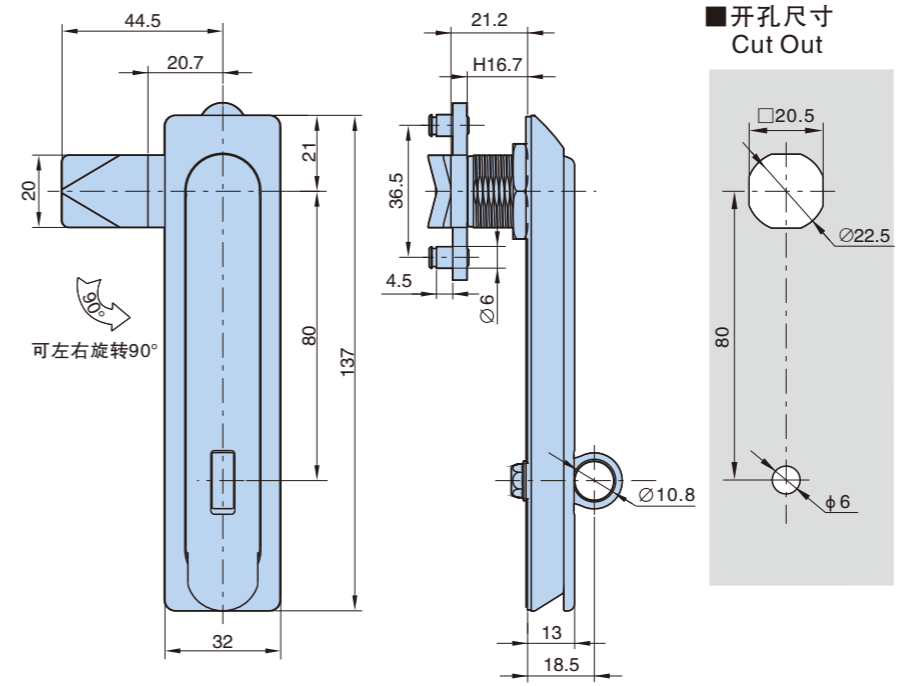


- 材质: 全不锈钢
- 表面处理: 镜面抛光或拉丝
- 结构功能: 手柄向上打开, 带动锁片90°旋转实现开启或锁闭
- 适用门板厚度: 1~5mm
- 备注: 锁片开孔□8×8
- Material: Stainless steel
- Finish: Mirro polishing/Brushed
- Panel thickness: 1~5mm
- Remark: Cam Cutout □8×8



型号 Product no.	产品单重(g) Weight	装箱数 Lot
MS6020S-1-1	287	100

旋转式平面锁 Rotary plane lock



型号 Product no.	产品单重(g) Weight	装箱数 Lot
MS834-1-1	315	50

MS834-1-1



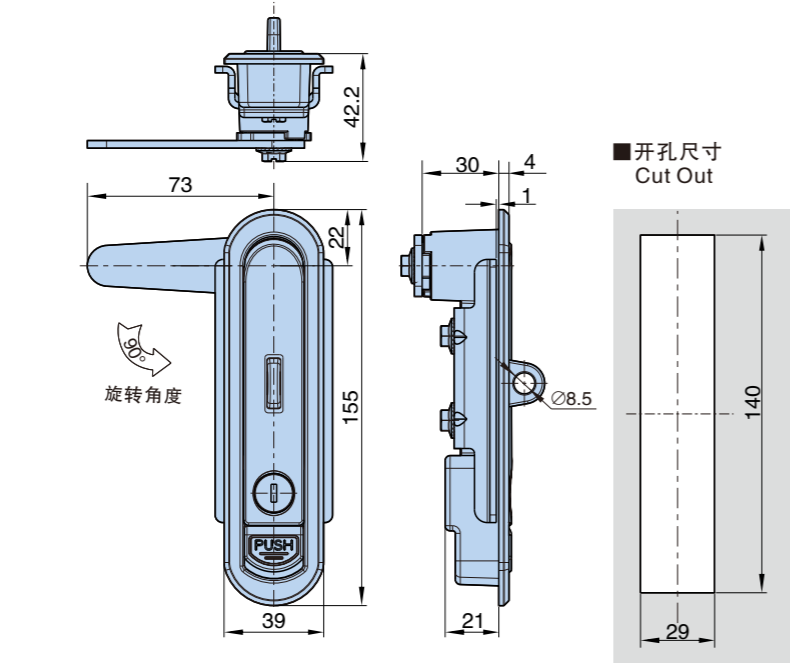
- 材质: 带挂锁 全不锈钢
- 表面处理: 拉丝
- 适用门板厚度: 1~8mm
- 备注: 锁片开孔□8×8
- Material: With padlock stainless steel
- Finish: drawing
- Panel thickness: 1~8mm
- Remark: cam cutout □8×8

MS6023S

按压旋转式平面锁 Press rotary plane lock

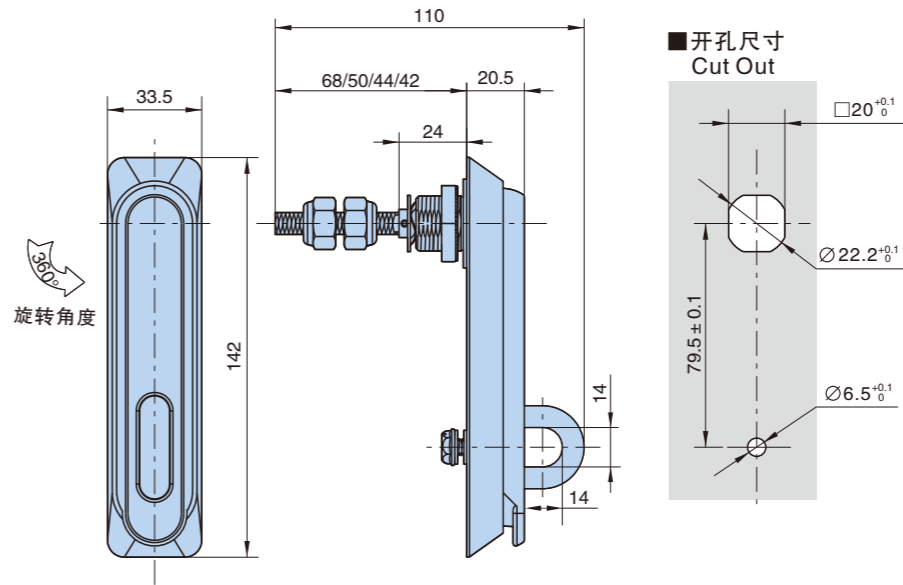


- 材质: 全不锈钢
- 表面处理: 镜面抛光或拉丝
- 结构功能: 手柄向上打开, 带动锁片90°旋转实现开启或锁闭
- 适用门板厚度: 1~3mm
- 备注: 锁片开孔□10×10
- Material: Stainless steel
- Finish: Mirro polishing/Brushed
- Panel thickness: 1~5mm
- Remark: Cam Cutout □10×10



型号 Product no.	特性说明 Characteristic description	产品单重(g) Weight	装箱数 Lot
MS6023S-1-1	不锈钢不带挂装置w/opadlock	576.5	40
MS6023S-1-1G	不锈钢带挂装置with padlock	585.5	40

旋转式平面锁 Rotary plane lock



型号 Product no.	产品单重(g) Weight	装箱数 Lot
MS838-1S (全不锈钢锁体)		50

MS838-1S



- 材质: 锌合金锁体, 不锈钢锁扣;
- 表面处理: 镀铬
- 适用门板厚度: 1~10mm
- 备注: 锁片开孔□8×8
- Material: Zinc die-casting body, Stainless steel padlock
- Finish: Bright chromeplating
- Panel thickness: 1~10mm
- Remark: cam cutout □8×8

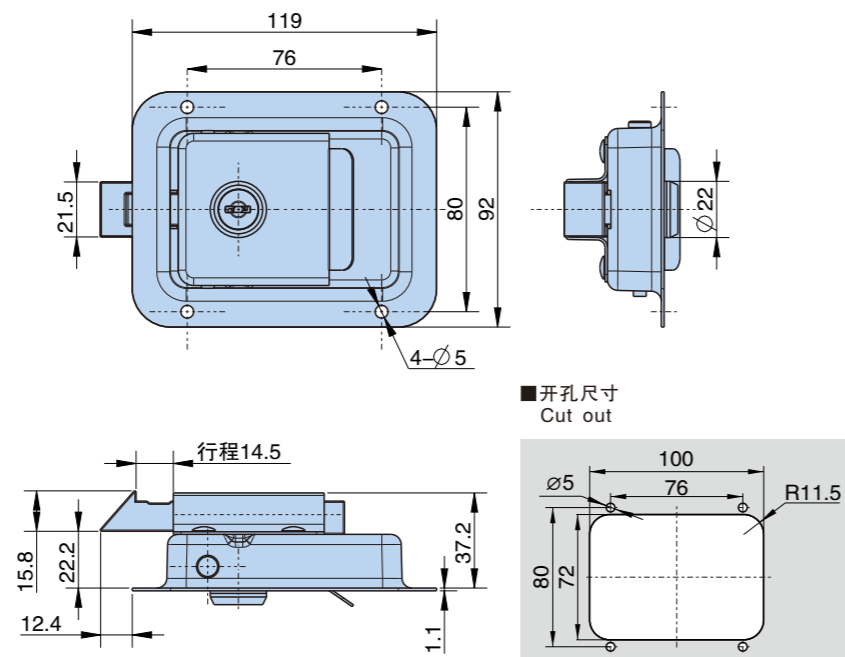
MS839S-3-1

推拉式面板锁 Push-pull panel lock



✓
可定制产品
Customizable products

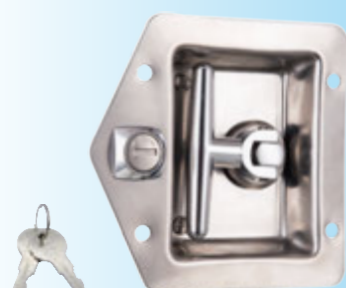
- 材质: 不锈钢面板, 镀铬锌合金锁芯
- 表面处理: 镜面抛光
- Material: stainless
- hinge, stainless steel pin
- Finish: Mirror polished



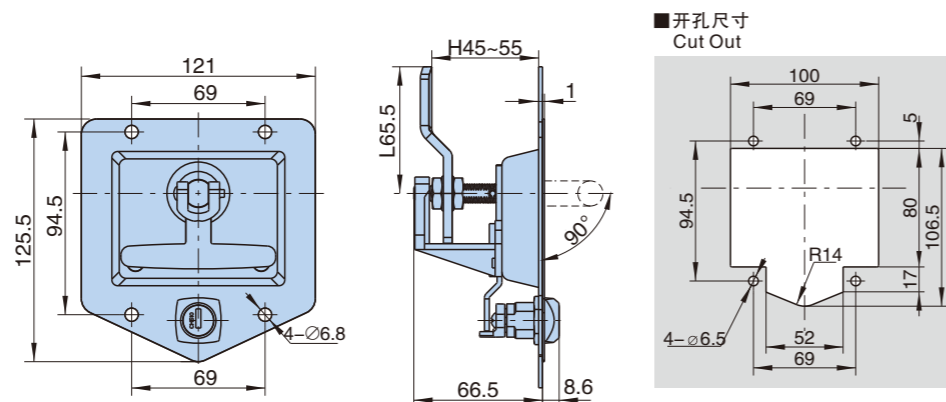
型号 Product no.	产品单重(g) Weight	装箱数 Lot
MS839S-3-1		

MS5094Z-1-1

T型手柄-面板锁 Folding T-shape handle

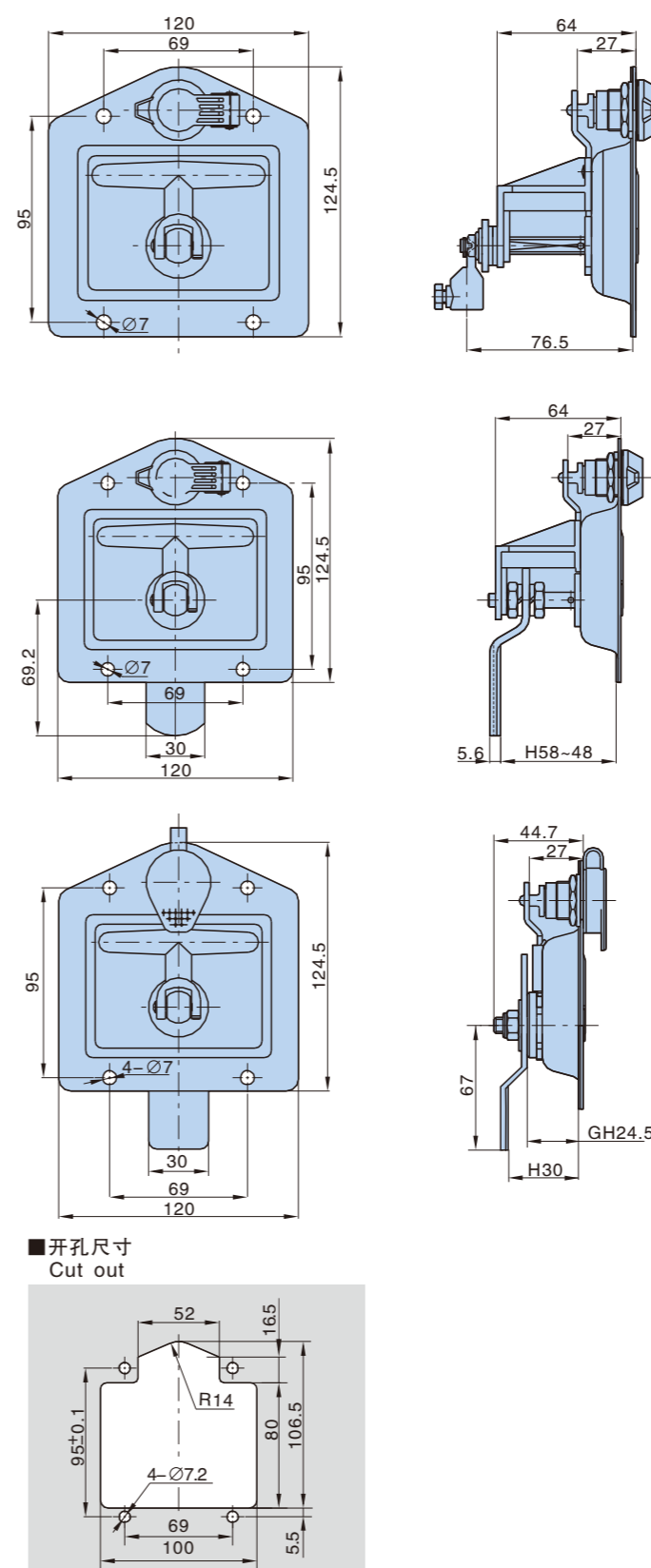


- 材质: 不锈钢面板, 锌合金手柄, 锁壳, 轴套, 碳钢螺 杆, 锁片
- 表面处理: 镜面抛光不锈钢面板, 镀亮铬手柄, 锁壳, 配件镀蓝白锌
- 适用门板厚度: 1-4.5
- Material: stainless steel for the panel, zinc alloy for the handle, housing and axle sleeve, steel for the screw and cam.
- Finish: mirror polish for the panel, bright chrome plating for the handle and housing, blue-white zinc plating for the accessories.
- Panel thickness: 1-4.5mm.



型号 Product no.	产品单重(g) Weight	装箱数 Lot
MS5094Z-1-1	660.2	24

T型手柄-面板锁 Folding T-shape handle



型号 Product no.	产品单重(g) Weight	装箱数 Lot
MS830-1	700	24
MS830-2	650	24
MS830-3	630	24

MS830



MS830-1



MS830-2



MS830-3



- 材质: 镜面不锈钢面板、锌合金手柄, 镀锌锁片
- 适用门板厚度: 1-4.5mm
- Material: Mirror surface stainless steel, Zinc plating handle zinc-die casting cam
- Panel thickness: 1-4.5mm



A拉手系列 Handles series

B平面锁系列 Plane lock series

C连杆锁系列 Rod control series

D面板锁系列 Plane lock series

E执手锁系列 Handle lock series

F转舌锁系列 Cam lock series

G铰链系列 Hinge series

H搭扣锁系列 Toggle lock series

I门销系列 Door bolt series

J电子锁系列 Electronic lock series

K密封条系列 Gasketing series

L限位系列 Door stop series

M附件系列 Accessories series

N不锈钢件系列 Stainless steel series

索引 Index

A拉手系列 Handles series

B平面锁系列 Plane lock series

C连杆锁系列 Rod control series

D面板锁系列 Plane lock series

E执手锁系列 Handle lock series

F转舌锁系列 Cam lock series

G铰链系列 Hinge series

H搭扣锁系列 Toggle lock series

I门销系列 Door bolt series

J电子锁系列 Electronic lock series

K密封条系列 Gasketing series

L限位系列 Door stop series

M附件系列 Accessories series

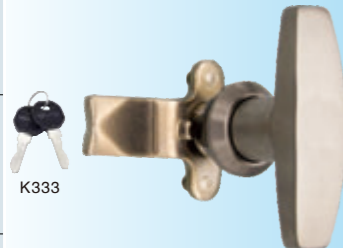
N不锈钢件系列 Stainless steel series

索引 Index

MS314



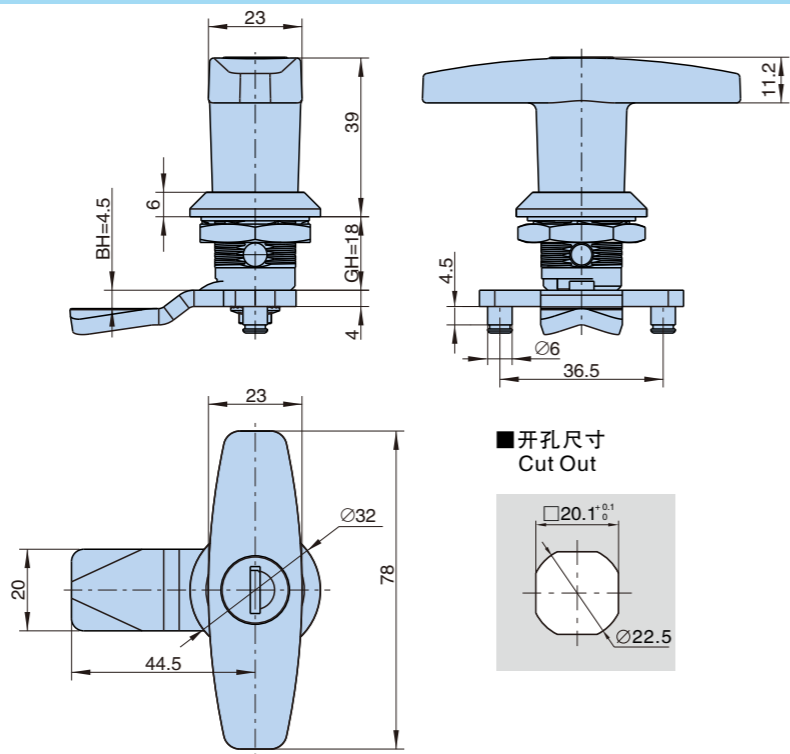
MS314-2S-1



MS314-2S-2

- 材质: 全不锈钢
- 表面处理: 镜面抛光或拉丝
- 适用门板厚度: 1-5mm
- 备注: 锁片开孔 8×8
- Material: Stainless steel
- Finish: Mirror polished or brushed
- Panel thickness: 1-5mm
- Remark: Cam Cutout 8×8

T型执手锁 T-Shape Handle Lock



型号 Product no.	产品单重(g) Weight	装箱数 Lot
MS314-2S-1(带锁芯)	290.5	100
MS314-2S-2(无锁芯)	290.5	100

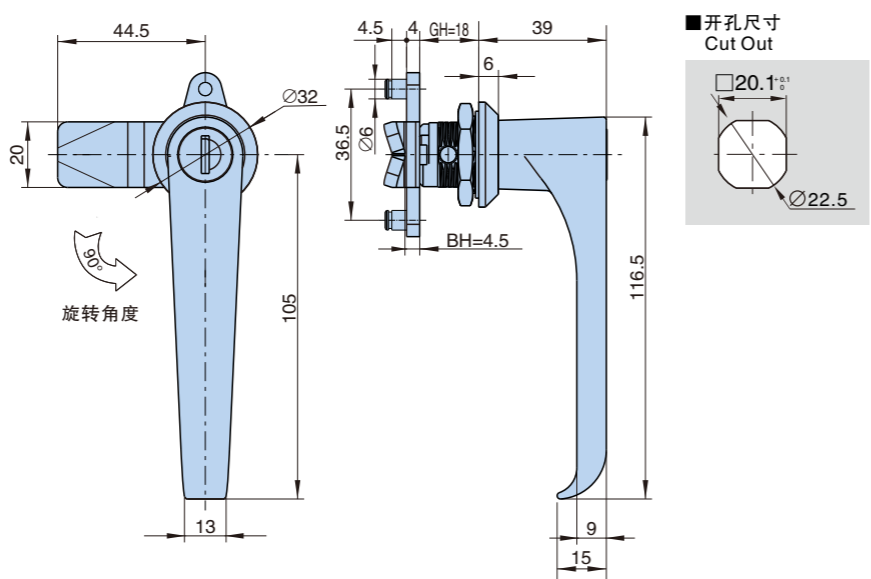
MS314



MS314-1S-1 MS314-1S-2

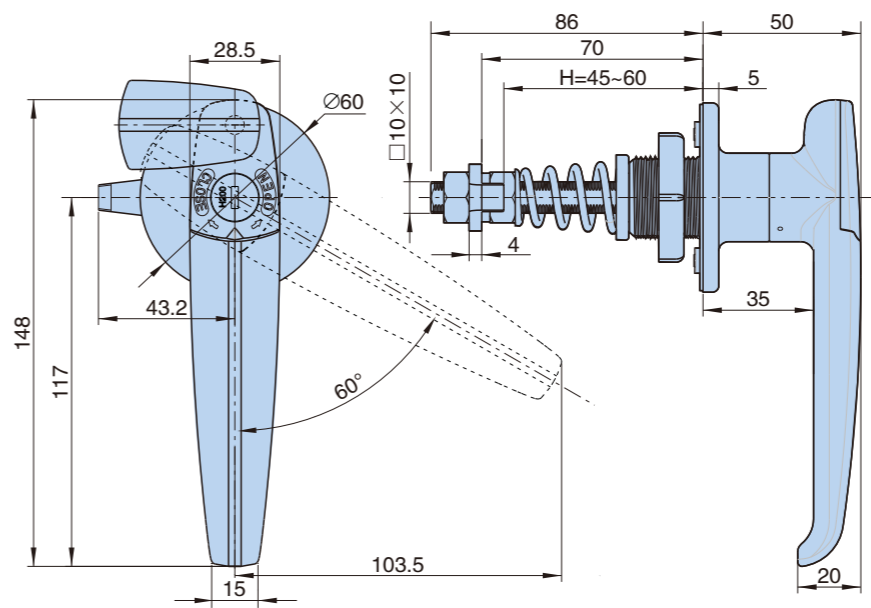
- 材质: 全不锈钢
- 表面处理: 镜面抛光或拉丝
- 适用门板厚度: 1-5mm
- 备注: 锁片开孔 8×8
- Material: Stainless steel
- Finish: Mirror polished or brushed
- Panel thickness: 1-5mm
- Remark: Cam Cutout 8×8

L型执手锁 L-Shape Handle Lock

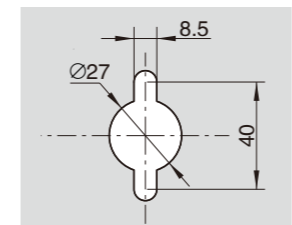


型号 Product no.	产品单重(g) Weight	装箱数 Lot
MS314-1S-1(带锁芯)	338.5	100
MS314-1S-2(无锁芯)	338.5	100

L型执手锁 L-Shape Handle Lock

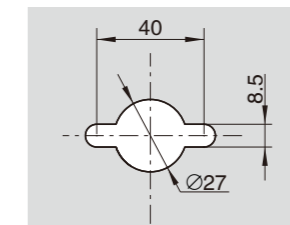


■开孔尺寸 Cut Out



(60度左右开门及90度右开门)
(60° left or right open & 90° right open)

■开孔尺寸 Cut Out



(90度左开门)
(90° left open)

型号 Product no.	转角 Rotation angle	产品单重(g) Weight	装箱数 Lot
AB702S-1-1	(60°)	644.5	40
AB702S-1-2	(90°)	644.5	40

AB702S



AB702S-1-1

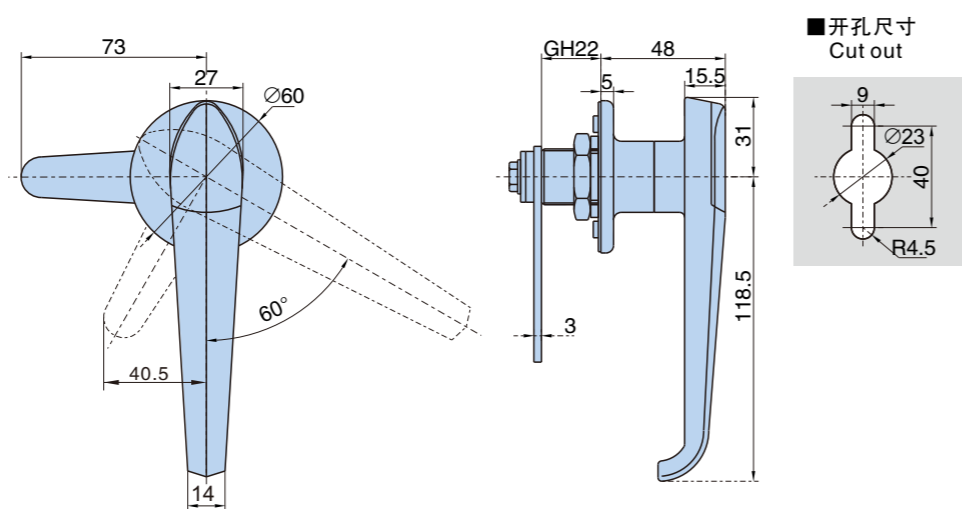


AB702S-1-2

- 材质: 全不锈钢
- 表面处理: 镜面抛光或拉丝
- 结构功能: 止口高度可调范围45-60, 锁座有60度左右通用与90度左右开门两种
- 适用门板厚度: 1-10mm
- 备注: 锁片开孔 10×10
- Material: Stainless steel
- Finish: Mirror polished or brushed
- Mechanism: Grip range can be adjusted around 45-60mm. Both 60° and 90° open is available.
- Panel thickness: 1-10mm
- Remark: Cam Cutout 10×10

MS306S-1-1

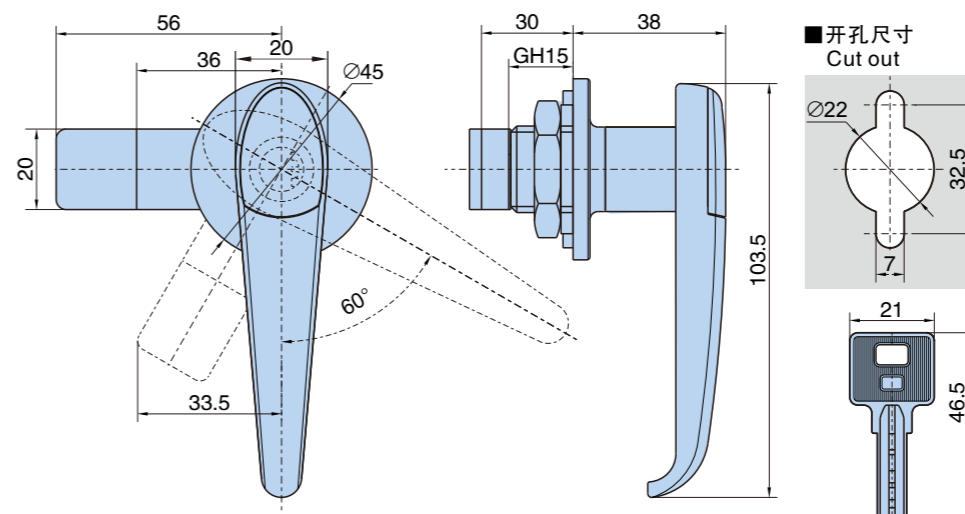
L型执手锁 L-Shape Handle Lock



- 材质: 全不锈钢
- 表面处理: 镜面抛光或拉丝
- 适用门板厚度: 1-5mm
- 备注: 锁片开孔□8×8
- Material: Stainless steel
- Finish: Mirror polished or brushed
- Panel thickness: 1-5mm
- Remark: Cam Cutout □8×8

型号 Product no.	转角 Rotation angle	产品单重(g) Weight	装箱数 Lot
MS306S-1-1	60°		

L型执手锁 L-Shape Handle Lock



产品型号 Product Number	转角 Rotation angle	产品单重(g) Weight	装箱数 Lot
MS308S-2-1	60°		

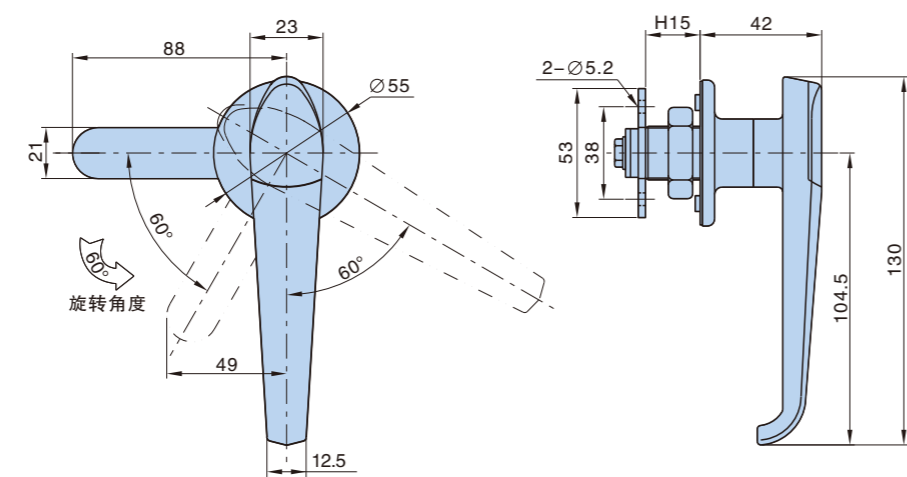
MS308S-2-1



- 材质: 全不锈钢
- 表面处理: 镜面抛光或拉丝
- 适用门板厚度: 1-5mm
- 备注: 锁片开孔□8×8
- Material: Stainless steel
- Finish: Mirror polished or brushed
- Panel thickness: 1-5mm
- Remark: Cam Cutout □8×8

MS306S-2-1

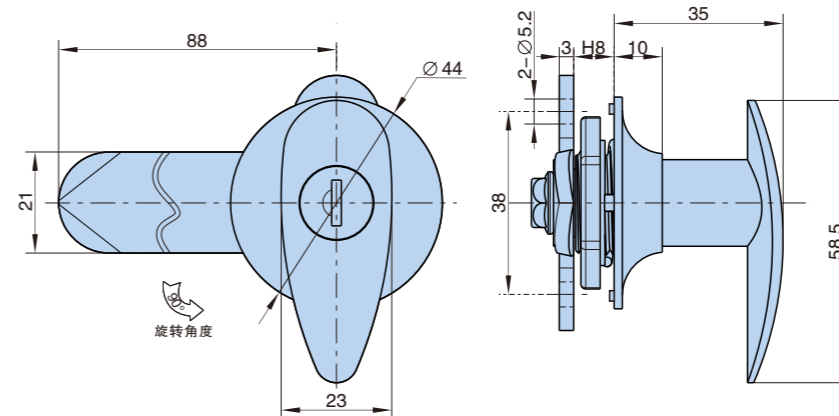
L型执手锁 L-Shape Handle Lock



- 材质: 全不锈钢
- 表面处理: 镜面抛光或拉丝
- 适用门板厚度: 1-5mm
- 备注: 锁片开孔□8×8
- Material: Stainless steel
- Finish: Mirror polished or brushed
- Panel thickness: 1-5mm
- Remark: Cam Cutout □8×8

型号 Product no.	转角 Rotation angle	产品单重(g) Weight	装箱数 Lot
MS306S-2-1	60°		

L型执手锁 L-Shape Handle Lock



产品型号 Product Number	产品单重(g) Weight	装箱数 Lot
A19S-1-1		

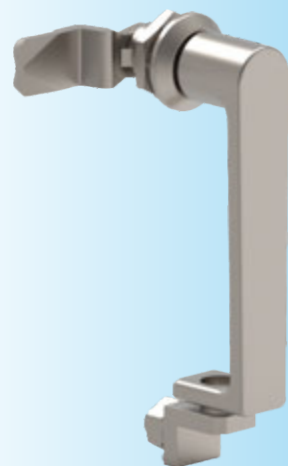
A19S-1-1



- 材质: 全不锈钢
- 表面处理: 镜面抛光或拉丝
- 适用门板厚度: 1-3mm
- 备注: 锁片开孔□8×8
- Material: Stainless steel
- Finish: Mirror polished or brushed
- Panel thickness: 1-3mm
- Remark: Cam Cutout □8×8

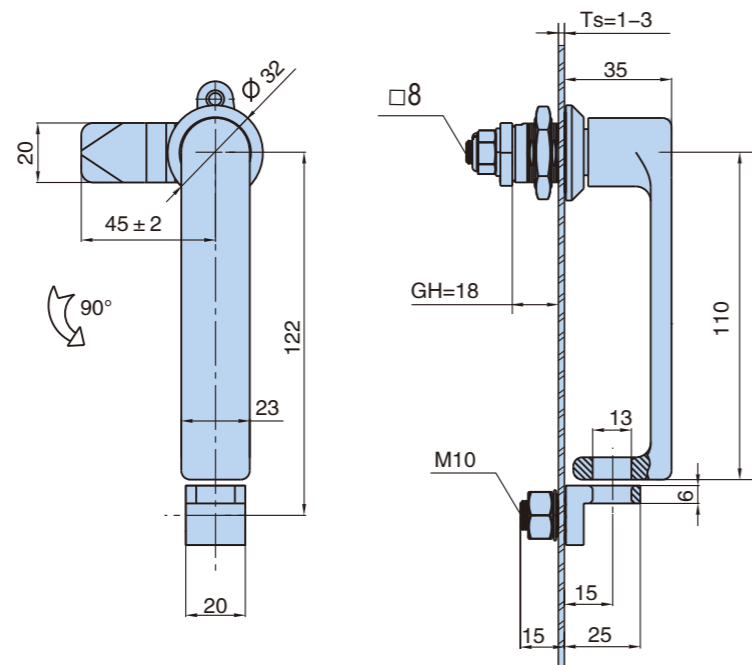
MS314-1S-3G

L型执手锁 L-Shape Handle Lock

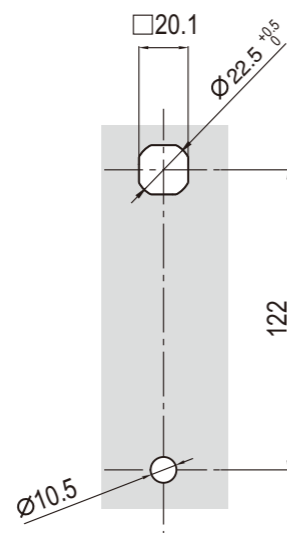


可定制产品
Customizable products

- 材质: 全不锈钢
- 表面处理: 镜面抛光或拉丝
- 适用门板厚度: 1~5mm
- 备注: 锁片开孔 8×8
- Material: Stainless steel
- Finish: Mirror polished or brushed
- Panel thickness: 1~5mm
- Remark: Cam Cutout 8×8



■ 开孔尺寸
Cut Out



型号 Product no.	产品单重(g) Weight	装箱数 Lot
MS314-1S-3G		

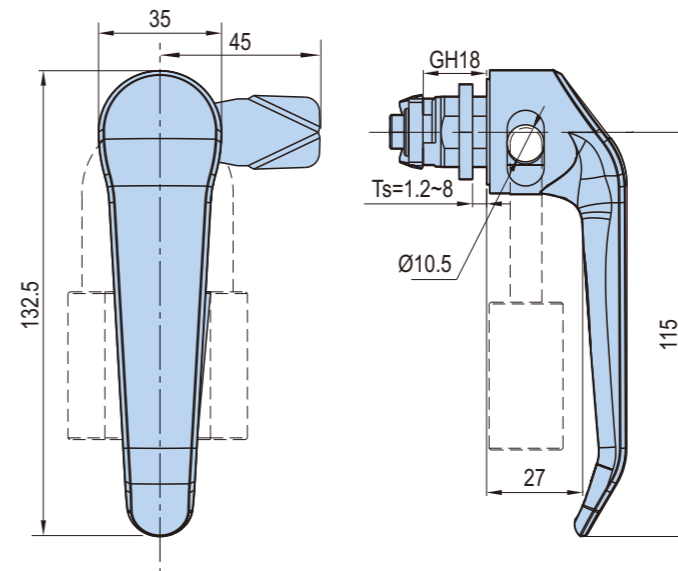
L型执手锁 L-Shape Handle Lock

MS314-1S-4G

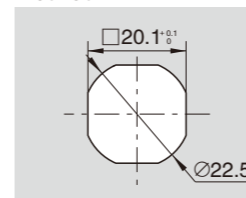


可定制产品
Customizable products

- 材质: 全不锈钢
- 表面处理: 镜面抛光或拉丝
- 适用门板厚度: 1~5mm
- 备注: 锁片开孔 8×8
- Material: Stainless steel
- Finish: Mirror polished or brushed
- Panel thickness: 1~5mm
- Remark: Cam Cutout 8×8



■ 开孔尺寸
Cut Out



型号 Product no.	产品单重(g) Weight	装箱数 Lot
MS314-1S-4G		

MS705-2S

工具锁芯转舌锁 Tool Type Cam Lock

工具锁芯转舌锁 Tool Type Cam Lock

MS705S



MS705-2S-1



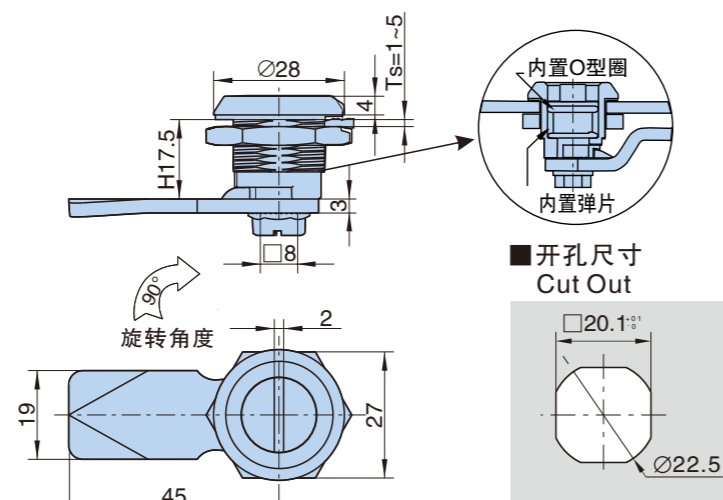
MS705-2S-2



MS705-2S-3

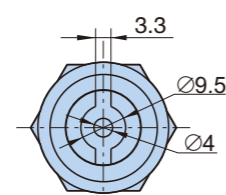


MS705-2S-4

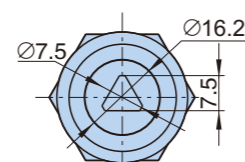


注：锁片选配规格见附件（锁片）

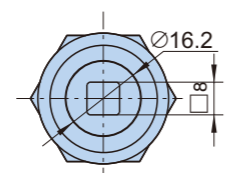
MS705-2S-1



MS705-2S-2

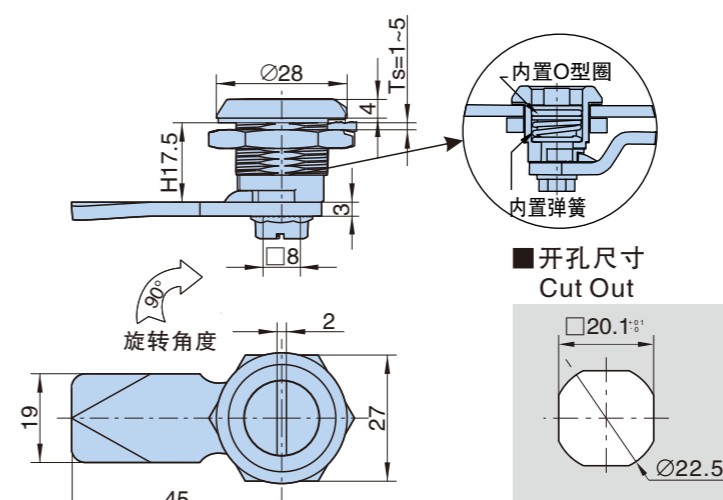


MS705-2S-3



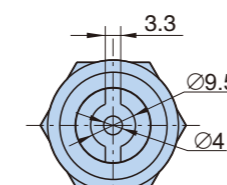
MS705-2S-4

产品型号 Product no.	表面处理 Finish	锁芯形状 Insert	产品单重(g) Weight	装箱数 Lot
MS705-2S-1	不锈钢 Stainless steel	直槽芯 slot insert	86	500
MS705-2S-2		一字芯 double bit insert	80.5	500
MS705-2S-3		三角芯 triangular insert	78	500
MS705-2S-4		四方芯 square insert	80.5	500

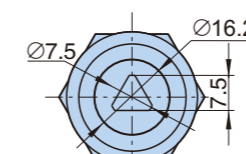


注：锁片选配规格见附件（锁片）

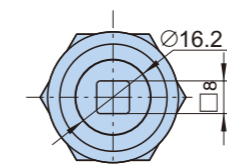
MS705-2S-1A



MS705-2S-2A



MS705-2S-3A



MS705-2S-4A

产品型号 Product no.	表面处理 Finish	锁芯形状 Insert	产品单重(g) Weight	装箱数 Lot
MS705-2S-1A	不锈钢 Stainless steel	直槽芯 slot insert	86	500
MS705-2S-2A		一字芯 double bit insert	80.5	500
MS705-2S-3A		三角芯 triangular insert	78	500
MS705-2S-4A		四方芯 square insert	80.5	500



MS705-2S-1A



MS705-2S-2A



MS705-2S-3A



MS705-2S-4A

- 材质:不锈钢锁体,锁片
- 表面处理:本色
- 适用门板厚度:1~5mm
- 备注:锁片开孔 8 × 8
- Material : sus body ,cam
- Finish: Raw
- Panel thickness : 1~5mm
- Remark : cam size 8 × 8

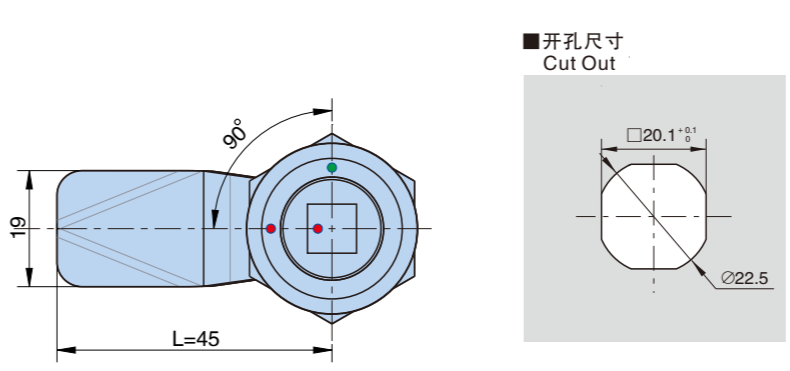
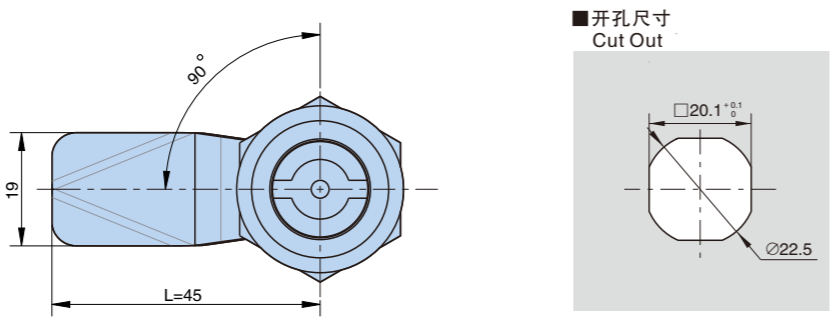
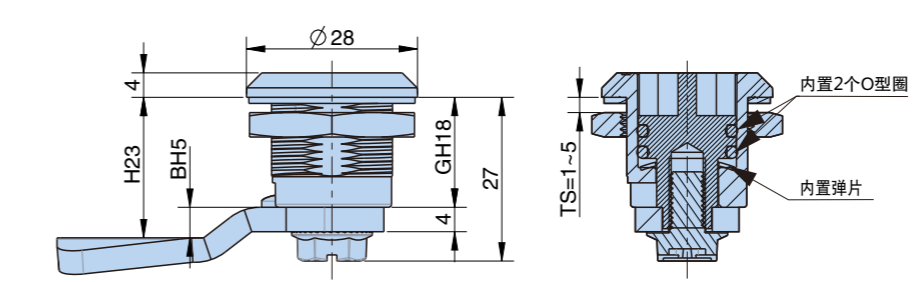
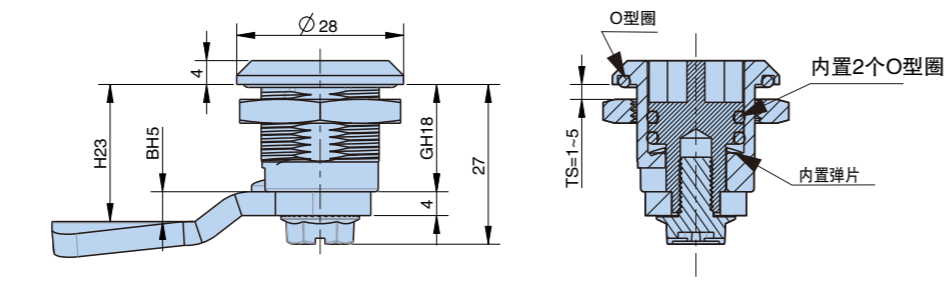
- 材质:不锈钢锁体,锁片
- 表面处理:本色
- 适用门板厚度:1~5mm
- 备注:锁片开孔 8 × 8
- Material : sus body ,cam
- Finish: Raw
- Panel thickness : 1~5mm
- Remark : cam size 8 × 8

MS705S-11

安全锁芯转舌锁 Secure Cylinder Cam Lock

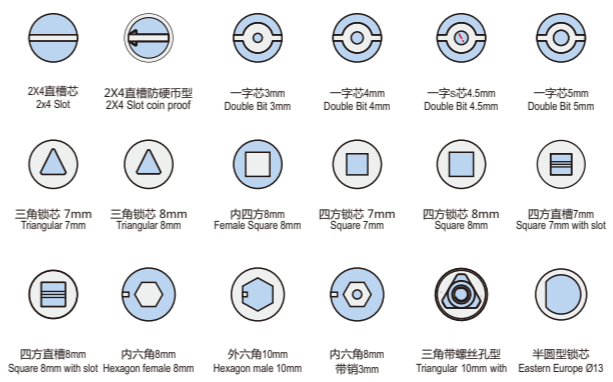
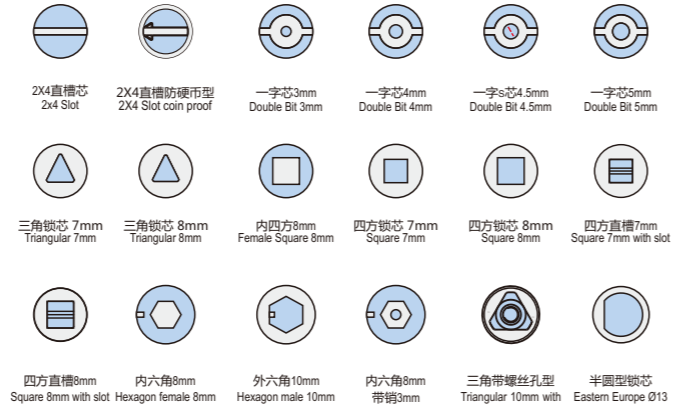
安全锁芯转舌锁 Secure Cylinder Cam Lock

MS705S-10



注：锁芯选配规格如下

注：锁芯选配规格如下



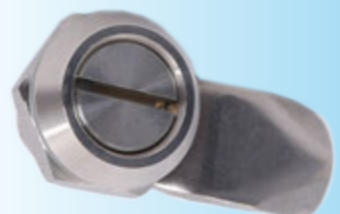
产品型号 Product no.	表面处理 Finish	锁芯类型 Insert type	产品单重(g) Weight	装箱数 Lot
MS705S-11-1	不锈钢车削光面	直槽芯slot insert		
MS705S-11-2		2 x 4直槽防硬币型2 x 4 Slot coin proof	可以定制生产	
MS705S-11-3		一字芯3mm Double Bit		
MS705S-11-4		一字芯4mm Double Bit	可以定制生产	
MS705S-11-5		一字芯5mm Double Bit	可以定制生产	
MS705S-11-6		S型芯 4.5mm insert	可以定制生产	
MS705S-11-7		三角7mm Triangular	可以定制生产	
MS705S-11-8		三角8mm Triangular		
MS705S-11-9		四方6mm Square	可以定制生产	
MS705S-11-10		四方7mm Square	可以定制生产	
MS705S-11-11		四方8mm Square		
MS705S-11-12		四方7mm带槽Square 7mm with slot	可以定制生产	
MS705S-11-13		四方8mm带槽Square 8mm with slot	可以定制生产	
MS705S-11-14		内四方8型Female square 8mm		
MS705S-11-15		内六角8mm Hexagon female 8mm	可以定制生产	
MS705S-11-16		内六角9mm Hexagon female 9mm	可以定制生产	
MS705S-11-17		内六角10mm Hexagon female 10mm	可以定制生产	
MS705S-11-18		内六角8mm带销3mm Hexagon female 8mm with 3mm pin		
MS705S-11-19		外六角10型Hexagon male 10mm		
MS705S-11-20		半圆型锁芯 13 Eastern E urope 13		
MS705S-11-21		三角带螺孔型 Triangular 10mm with M5 screw hole	可以定制生产	

产品型号 Product no.	表面处理 Finish	锁芯类型 Insert type	产品单重(g) Weight	装箱数 Lot
MS705S-10-1	不锈钢车削光面	直槽芯slot insert	可以定制生产	
MS705S-10-2		2 x 4直槽防硬币型2 x 4 Slot coin proof	可以定制生产	
MS705S-10-3		一字芯3mm Double Bit	可以定制生产	
MS705S-10-4		一字芯4mm Double Bit	可以定制生产	
MS705S-10-5		一字芯5mm Double Bit	可以定制生产	
MS705S-10-6		S型芯 4.5mm insert	可以定制生产	
MS705S-10-7		三角7mm Triangular	可以定制生产	
MS705S-10-8		三角8mm Triangular	可以定制生产	
MS705S-10-9		四方6mm Square	可以定制生产	
MS705S-10-10		四方7mm Square	可以定制生产	
MS705S-10-11		四方8mm Square	可以定制生产	
MS705S-10-12		四方7mm带槽Square 7mm with slot	可以定制生产	
MS705S-10-13		四方8mm带槽Square 8mm with slot	可以定制生产	
MS705S-10-14		内四方8型Female square 8mm	可以定制生产	
MS705S-10-15		内六角8mm Hexagon female 8mm	可以定制生产	
MS705S-10-16		内六角9mm Hexagon female 9mm	可以定制生产	
MS705S-10-17		内六角10mm Hexagon female 10mm	可以定制生产	
MS705S-10-18		内六角8mm带销3mm Hexagon female 8mm with 3mm pin	可以定制生产	
MS705S-10-19		外六角10型Hexagon male 10mm	可以定制生产	
MS705S-10-20		半圆型锁芯 13 Eastern E urope 13	可以定制生产	
MS705S-10-21		三角带螺孔型 Triangular 10mm with M5 screw hole	可以定制生产	

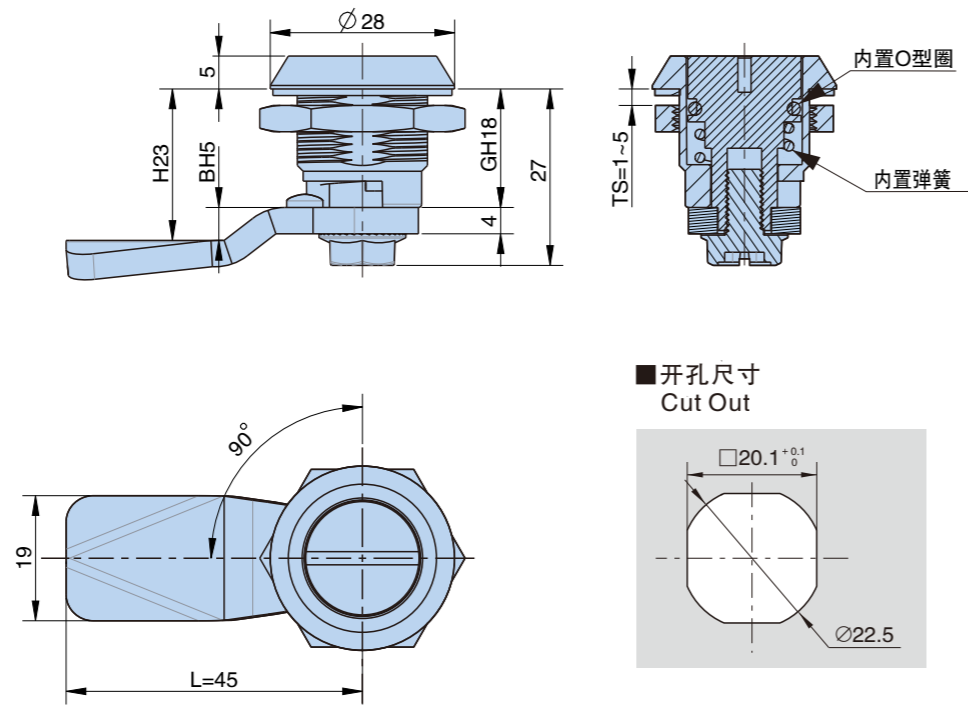
- 材质:不锈钢锁体,锁片
- 表面处理:本色
- 适用门板厚度:1~5mm
- 备注:锁片开孔□8 x 8
- Material : sus body ,cam
- Finish: Raw
- Panel thickness : 1~5mm
- Remark :cam size□8 x 8

- 材质:不锈钢锁体,锁片
- 表面处理:本色
- 适用门板厚度:1~5mm
- 备注:锁片开孔□8 x 8
- Material : sus body ,cam
- Finish: Raw
- Panel thickness : 1~5mm
- Remark :cam size□8 x 8

MS705S-9

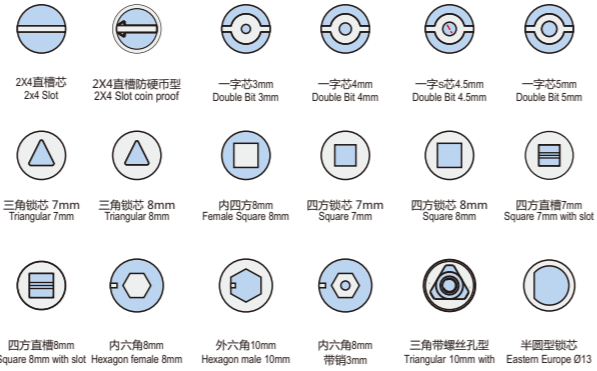


工具锁芯转舌锁 Tool Type Cam Lock



开孔尺寸
Cut Out

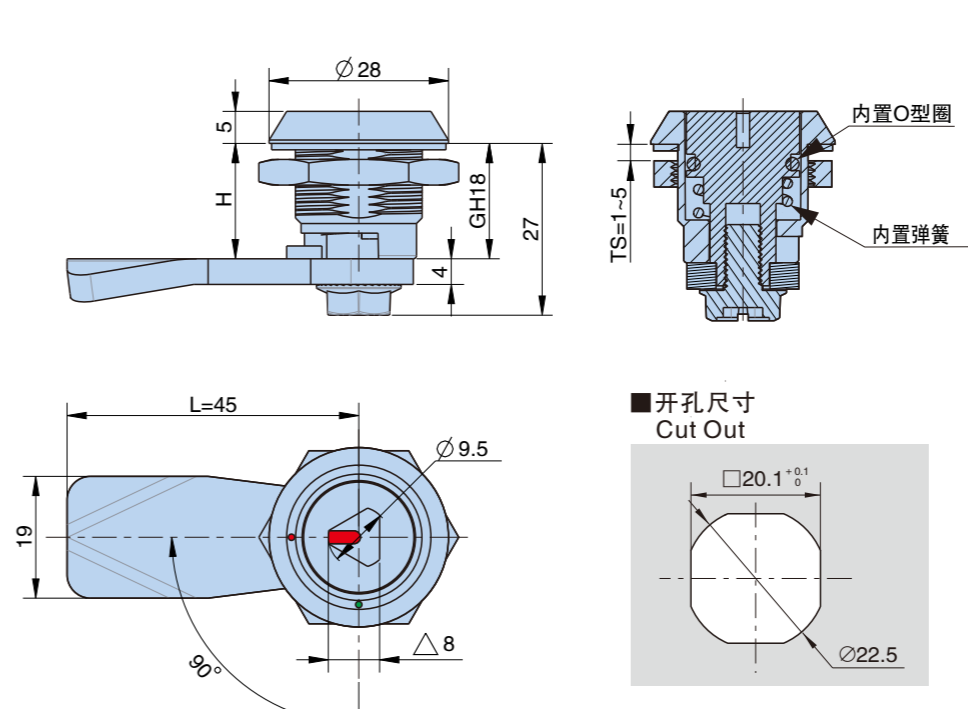
注：锁芯选配规格如下



产品型号 Product no.	表面处理 Finish	锁芯类型 Insert type	产品单重(g) Weight	装箱数 Lot
MS705S-9-1	不锈钢 车削光面	直槽芯 slot insert		
MS705S-9-2		2 x 4直槽防硬币型 2 x 4 Slot coin proof	可以定制生产	
MS705S-9-3		一字芯3mm Double Bit	可以定制生产	
MS705S-9-4		一字芯4mm Double Bit	可以定制生产	
MS705S-9-5		一字芯5mm Double Bit	可以定制生产	
MS705S-9-6		S型芯 4.5mm insert	可以定制生产	
MS705S-9-7		三角7mm Triangular	可以定制生产	
MS705S-9-8		三角8mm Triangular		
MS705S-9-9		四方6mm Square	可以定制生产	
MS705S-9-10		四方7mm Square	可以定制生产	
MS705S-9-11		四方8mm Square	可以定制生产	
MS705S-9-12		四方7mm 带槽 Square 7mm with slot	可以定制生产	
MS705S-9-13		四方8mm 带槽 Square 8mm with slot	可以定制生产	
MS705S-9-14		内四方8mm Female square 8mm	可以定制生产	
MS705S-9-15		内六角8mm Hexagon female 8mm	可以定制生产	
MS705S-9-16		内六角9mm Hexagon female 9mm	可以定制生产	
MS705S-9-17		内六角10mm Hexagon female 10mm	可以定制生产	
MS705S-9-18		内六角8mm带销3mm Hexagon female 8mm with 3mm pin	可以定制生产	
MS705S-9-19		外六角10mm Hexagon male 10mm	可以定制生产	
MS705S-9-20		半圆型锁芯 13 Eastern Europe 13	可以定制生产	
MS705S-9-21		三角带螺孔型 Triangular 10mm with M5 screw hole	可以定制生产	

- 材质: 不锈钢锁体, 锁片
- 表面处理: 本色
- 适用门板厚度: 1~5mm
- 备注: 锁片开孔 8 x 8
- Material: sus body, cam
- Finish: Raw
- Panel thickness: 1~5mm
- Remark: cam size 8 x 8

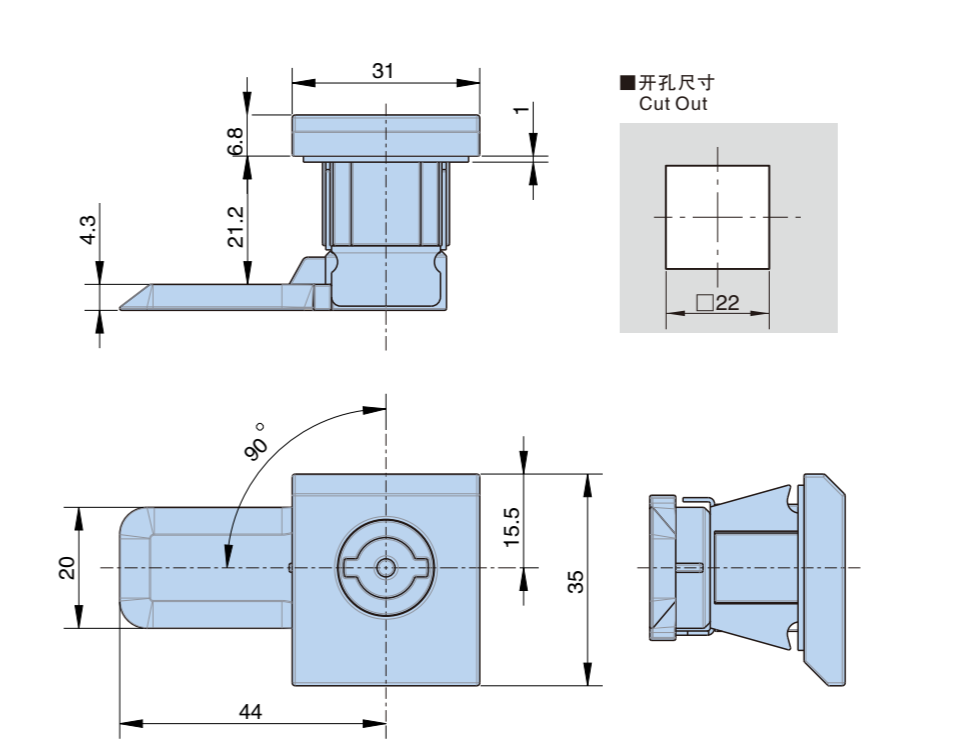
工具锁芯转舌锁 Tool Type Cam Lock



开孔尺寸
Cut Out

型号 Product no.	产品单重(g) Weight	装箱数 Lot
MS705S-9A-8	129.5	

工具锁芯转舌锁 Tool Type Cam Lock



开孔尺寸
Cut Out

型号 Product no.	产品单重(g) Weight	装箱数 Lot
MS7076S-1-1	129.5	

MS705S-9A-8



- 材质: 不锈钢锁体, 锁片
- 表面处理: 本色
- 适用门板厚度: 1~5mm
- 备注: 锁片开孔 8 x 8
- Material: sus body, cam
- Finish: Raw
- Panel thickness: 1~5mm
- Remark: cam size 8 x 8

MS7076S-1-1



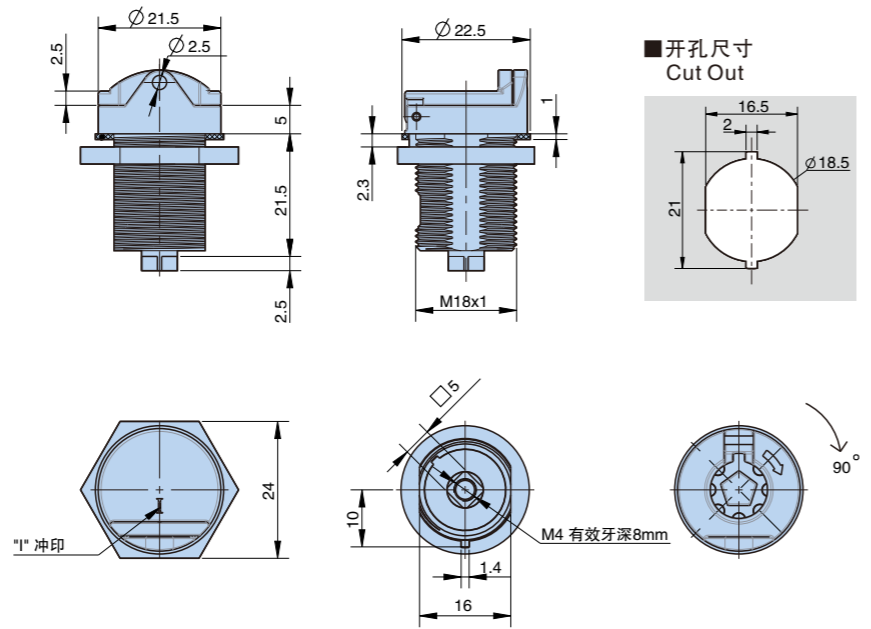
可定制产品
Customizable products

- 材质: 不锈钢锁体, 锁片
- 表面处理: 本色
- 适用门板厚度: 1~5mm
- Material: sus body, cam
- Finish: Raw
- Panel thickness: 1~5mm

MS7078-1-1

工具锁芯转舌锁 Tool Type Cam Lock

INOX AISI 3.16 NEW



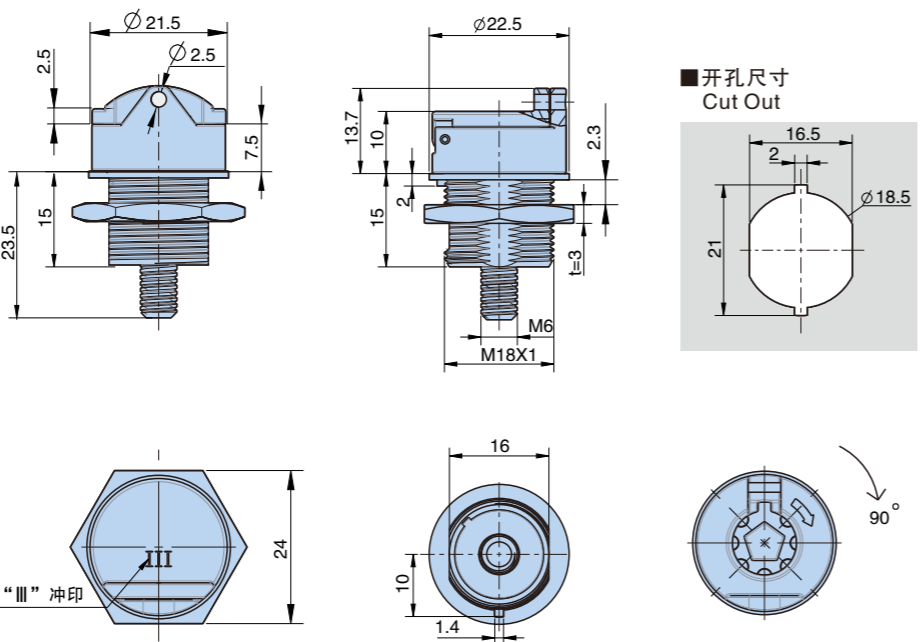
- 材质:不锈钢锁体
- 适用门板厚度:1~5mm
- 备注:锁片开孔□5×5
- Material : sus body
- Panel thickness : 1~5mm
- Remark : cam size□5×5

型号 Product no.	产品单重(g) Weight	装箱数 Lot
MS7078-1-1	48	200

MS7078-2-1

工具锁芯转舌锁 Tool Type Cam Lock

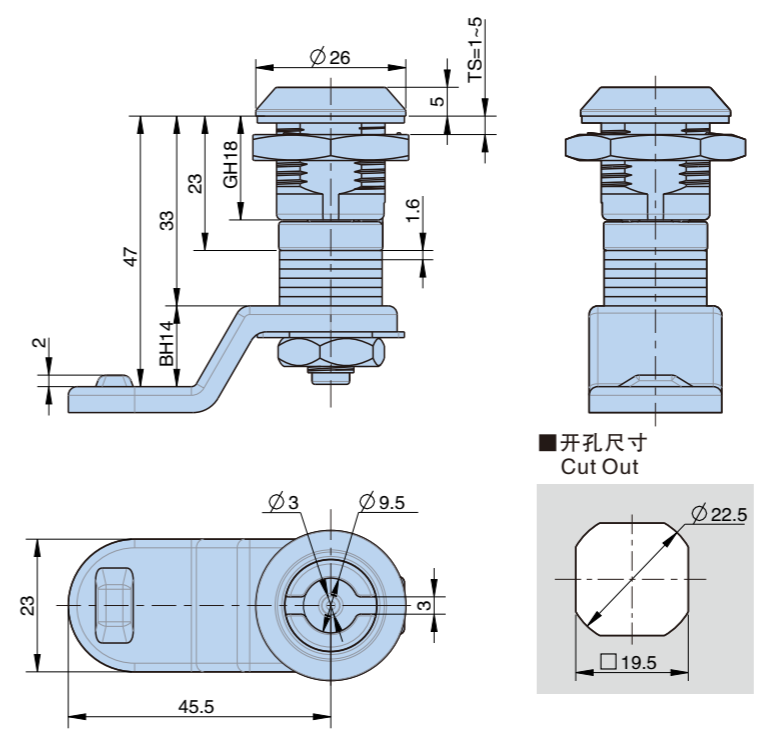
INOX AISI 3.16 NEW



- 材质:不锈钢锁体
- 适用门板厚度:1~5mm
- 备注:锁片开孔□5×5
- Material : sus body
- Panel thickness : 1~5mm
- Remark : cam size□5×5

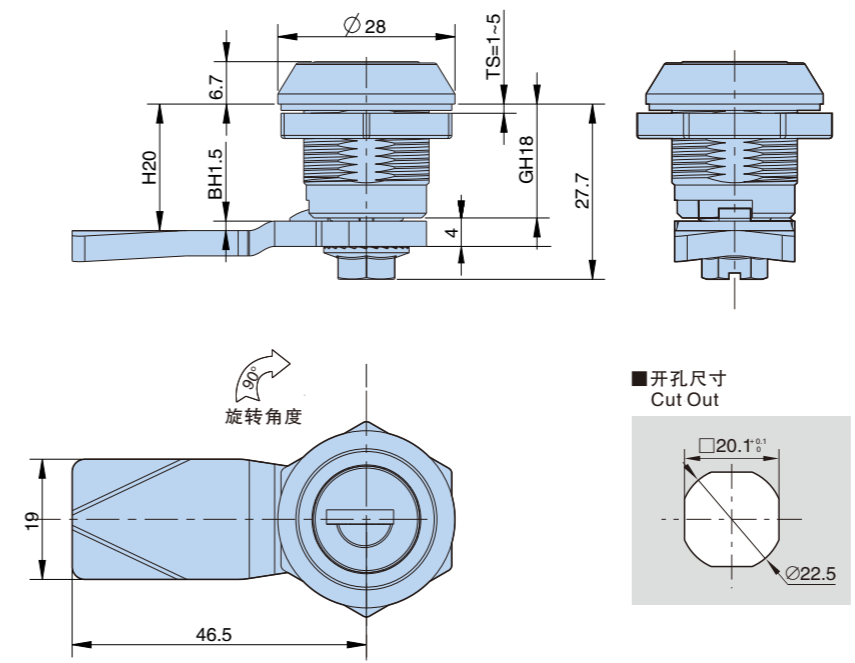
型号 Product no.	产品单重(g) Weight	装箱数 Lot
MS7078-2-1	50	200

工具锁芯转舌锁 Tool Type Cam Lock



型号 Product no.	产品单重(g) Weight	装箱数 Lot
MS7080S-1-1		

安全锁芯转舌锁 Secure Cylinder Cam Lock



型号 Product no.	产品单重(g) Weight	装箱数 Lot
MS721-1S-1	101.5	500

MS7080S-1-1

RL IP65 INOX AISI 3.16 NEW



- 材质:不锈钢锁体,锁片
- 表面处理:本色
- 适用门板厚度:1~5mm
- 备注:锁片开孔□8×8
- Material : sus body ,cam
- Finish: Raw
- Panel thickness : 1~5mm
- Remark : cam size□8×8

MS721-1S-1

RL IP65 INOX AISI 3.16 NEW



- 材质:不锈钢锁体,锁片
- 表面处理:本色
- 适用门板厚度:1~5mm
- 备注:锁片开孔□8×8
- Material : sus body ,cam
- Finish: Raw
- Panel thickness : 1~5mm
- Remark : cam size□8×8

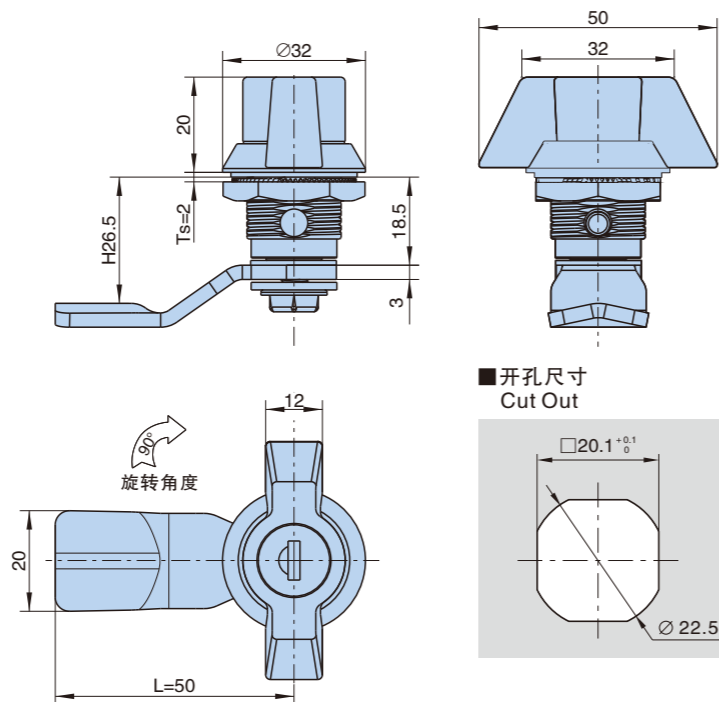
MS408S-1-1

安全锁芯转舌锁 Secure Cylinder Cam Lock



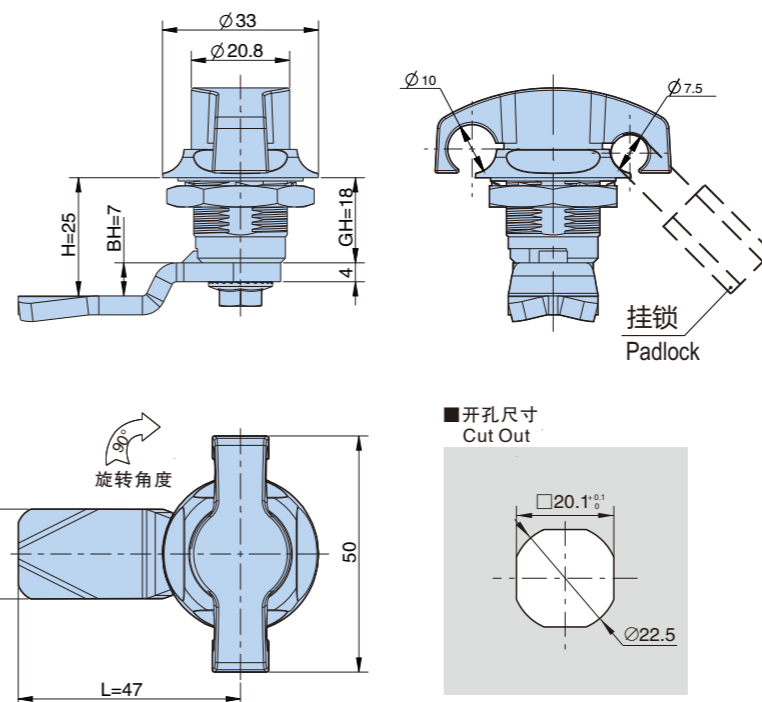
可定制产品
Customizable products

- 材质: 不锈钢锁体, 锁片
- 表面处理: 本色
- 适用门板厚度: 1~5mm
- 备注: 锁片开孔 8 × 8
- Material: sus body ,cam
- Finish: Raw
- Panel thickness : 1~5mm
- Remark : cam size 8 × 8



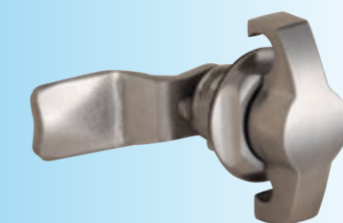
型号 Product no.	产品单重(g) Weight	装箱数 Lot
MS408S-1-1		

带挂型转舌锁 Padlockable Cam Lock



型号 Product no.	产品单重(g) Weight	装箱数 Lot
MS7082S-1-1		

MS7082S-1-1



可定制产品
Customizable products

- 材质: 不锈钢锁体, 锁片
- 表面处理: 本色
- 适用门板厚度: 1~5mm
- 备注: 锁片开孔 8 × 8
- Material: sus body ,cam
- Finish: Raw
- Panel thickness : 1~5mm
- Remark : cam size 8 × 8

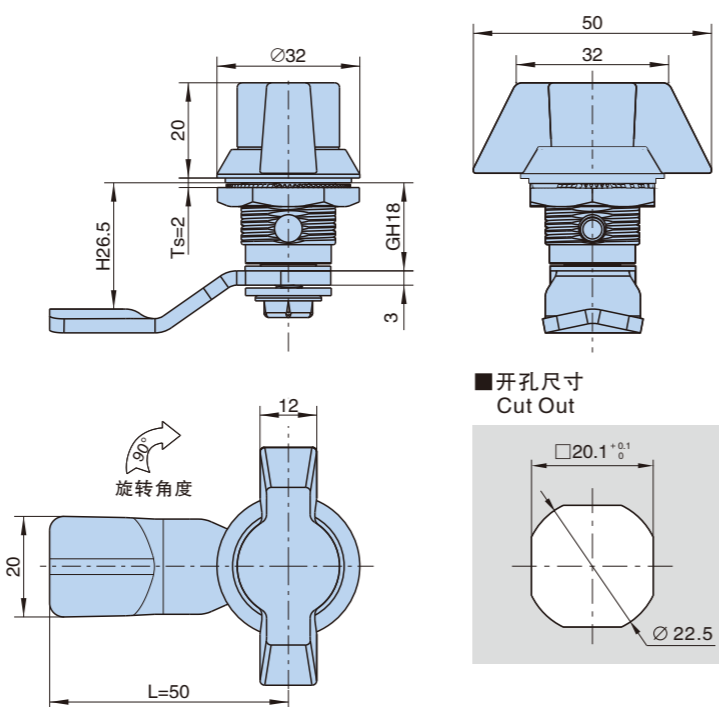
MS408S-1-2

手柄型转舌锁 Handle Type Handle Lock



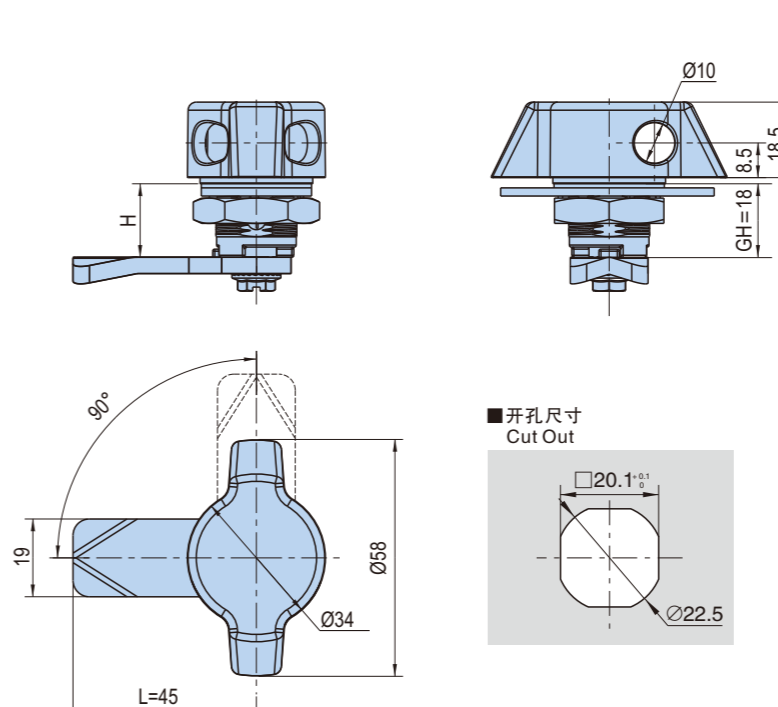
可定制产品
Customizable products

- 材质: 不锈钢锁体, 锁片
- 表面处理: 本色
- 适用门板厚度: 1~5mm
- 备注: 锁片开孔 8 × 8
- Material: sus body ,cam
- Finish: Raw
- Panel thickness : 1~5mm
- Remark : cam size 8 × 8



型号 Product no.	产品单重(g) Weight	装箱数 Lot
MS408S-1-2		

带挂型转舌锁 Padlockable Cam Lock



型号 Product no.	产品单重(g) Weight	装箱数 Lot
MS7090S-1-1		

MS7090S-1-1



可定制产品
Customizable products

- 材质: 不锈钢锁体, 锁片
- 表面处理: 本色
- 适用门板厚度: 1~5mm
- 备注: 锁片开孔 8 × 8
- Material: sus body ,cam
- Finish: Raw
- Panel thickness : 1~5mm
- Remark : cam size 8 × 8

A拉手系列 Handles series

B平面锁系列 Plane lock series

C连杆锁系列 Rod control series

D面板锁系列 Plane lock series

E执手锁系列 Handle lock series

F转舌锁系列 Cam lock series

G铰链系列 Hinge series

H搭扣锁系列 Toggle lock series

I门销系列 Door bolt series

J电子锁系列 Electronic lock series

K密封条系列 Gasketing series

L限位系列 Door stop series

M附件系列 Accessories series

N不锈钢件系列 Stainless steel series

索引 Index

A拉手系列 Handles series

B平面锁系列 Plane lock series

C连杆锁系列 Rod control series

D面板锁系列 Plane lock series

E执手锁系列 Handle lock series

F转舌锁系列 Cam lock series

G铰链系列 Hinge series

H搭扣锁系列 Toggle lock series

I门销系列 Door bolt series

J电子锁系列 Electronic lock series

K密封条系列 Gasketing series

L限位系列 Door stop series

M附件系列 Accessories series

N不锈钢件系列 Stainless steel series

索引 Index

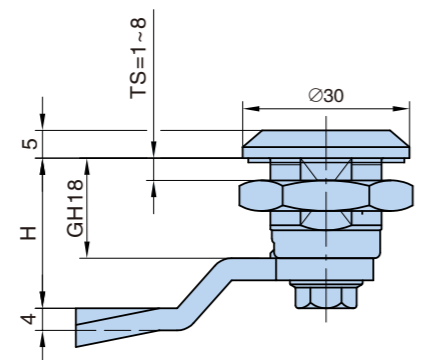
MS7091S-1-1

工具锁芯转舌锁 Tool Type Cam Lock

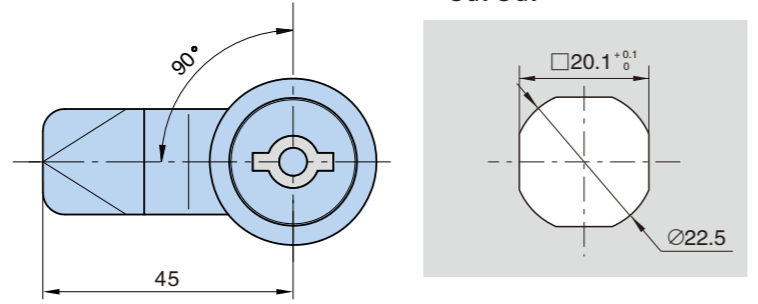


可定制产品
Customizable products

- 材质: 全不锈钢
- 表面处理: 本色
- 安全锁, 耐震动, 锁闭力强, 防水, 防尘, 非常平齐的表面
- 适用门板厚度: 1~8mm
- 备注: 锁片开孔 8×8
- Material: Stainless steel
- Finish: Raw
- Panel thickness: 1~15mm
- Remark: Cam Cutout 8×8



开孔尺寸
Cut Out



型号 Product no.	产品单重(g) Weight	装箱数 Lot
MS7091S-1-1		

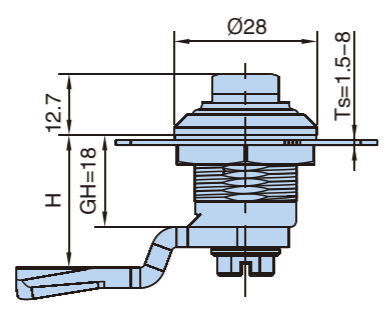
MS7092S-1-1

工具锁芯转舌锁 Tool Type Cam Lock

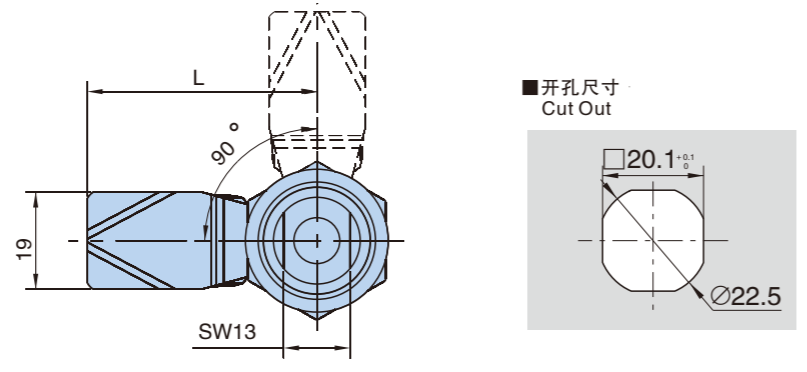


可定制产品
Customizable products

- 材质: 不锈钢锁体, 锁片
- 表面处理: 本色
- 适用门板厚度: 1~5mm
- 备注: 锁片开孔 8×8
- Material: sus body, cam
- Finish: Raw
- Panel thickness: 1~5mm
- Remark: cam size 8×8



开孔尺寸
Cut Out



型号 Product no.	产品单重(g) Weight	装箱数 Lot
MS7092S-1-1		

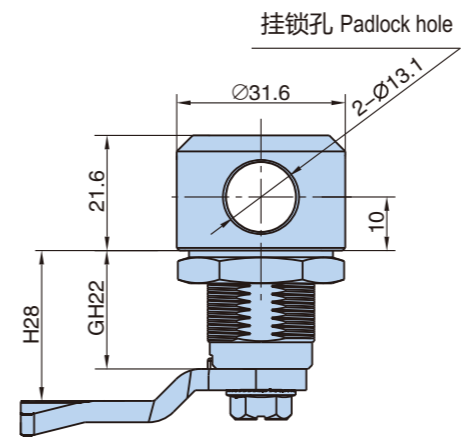
带挂型转舌锁 Padlockable Cam Lock

MS429S

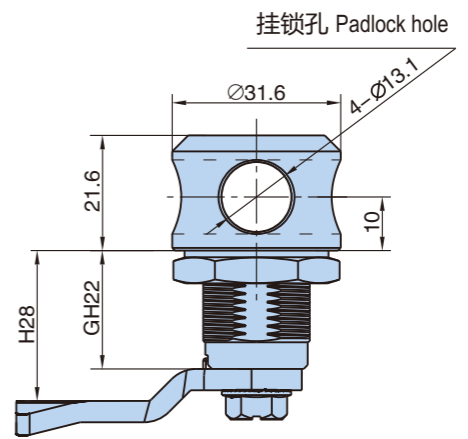


可定制产品
Customizable products

- 材质: 不锈钢锁体, 锁片
- 表面处理: 本色
- 适用门板厚度: 1~5mm
- 备注: 锁片开孔 8×8
- Material: sus body, cam
- Finish: Raw
- Panel thickness: 1~5mm
- Remark: cam size 8×8

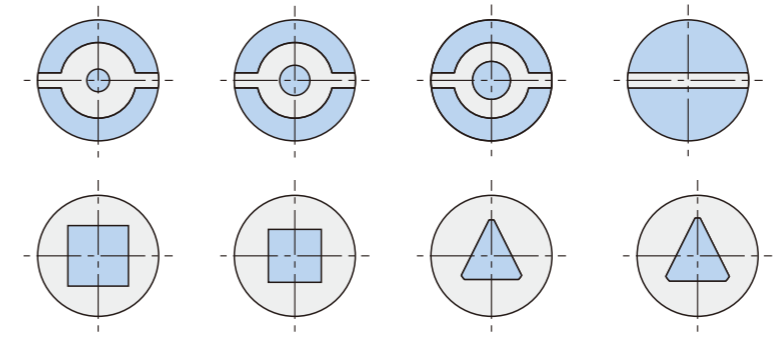
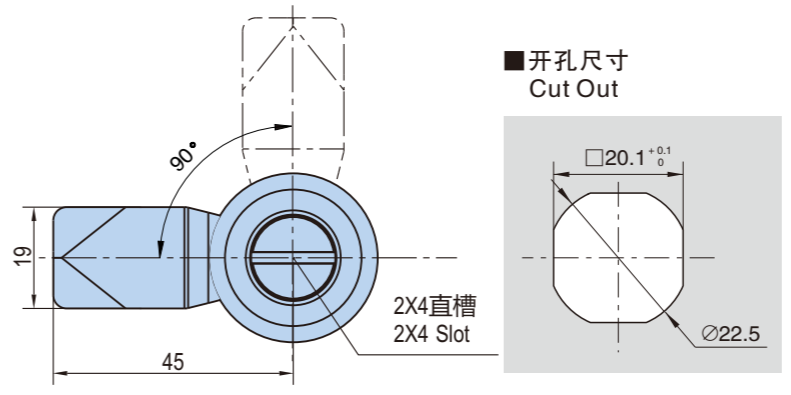


锁壳带2个挂锁孔
Housing with 2 padlock holes



锁壳带4个挂锁孔
Housing with 4 padlock holes

开孔尺寸
Cut Out



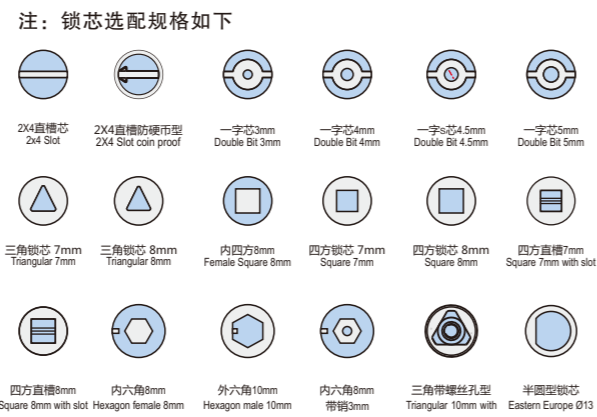
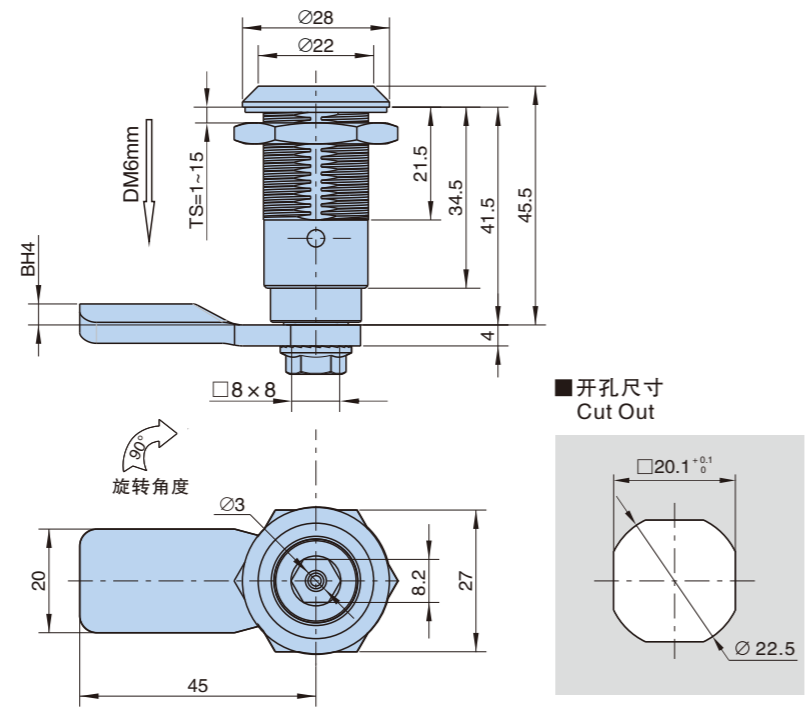
	锁壳带2个挂锁孔 Housing with 2 padlock holes	锁壳带4个挂锁孔 Housing with 4 padlock holes
锁芯类型 Insert type	GH=22, 全不锈钢 GH=22, Full stainless steel	GH=22, 全不锈钢 GH=22, Full stainless steel
双翅3mm Double Bit 3mm	MS429S-1-1	MS429S-1A-1
双翅4mm Double Bit 4mm	MS429S-1-2	MS429S-1A-2
双翅5mm Double Bit 5mm	MS429S-1-3	MS429S-1A-3
2×4直槽型 2×4 Slot	MS429S-1-4	MS429S-1A-4
三角7mm Triangular 7mm	MS429S-1-5	MS429S-1A-5
三角8mm Triangular 8mm	MS429S-1-6	MS429S-1A-6
四方7mm Square 7mm	MS429S-1-7	MS429S-1A-7
四方8mm Square 8mm	MS429S-1-8	MS429S-1A-8

MS7075S-1-1



可定制产品
Customizable products

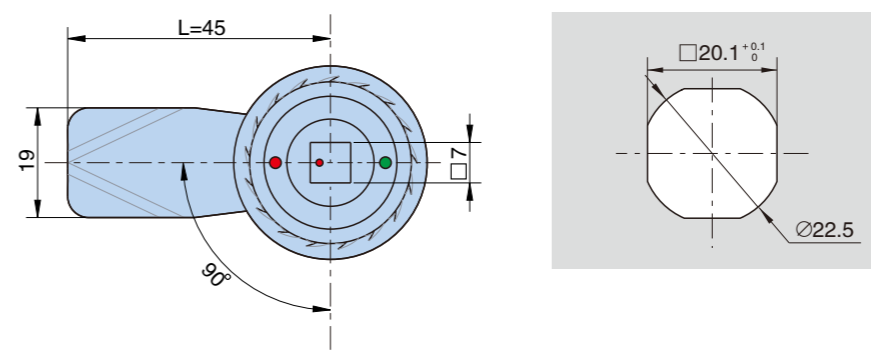
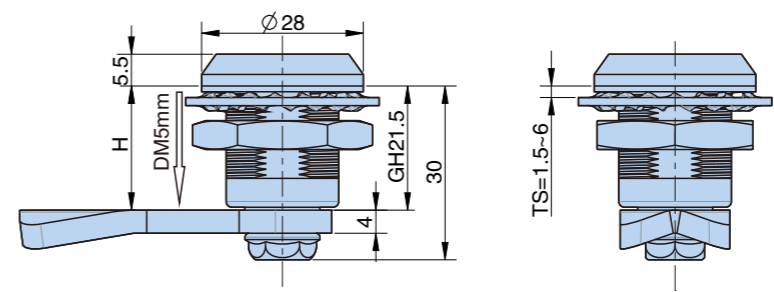
压缩式转舌锁 Compression Cam Lock



产品型号 Product no.	表面处理 Finish	锁芯类型 Insert type	产品单重(g) Weight	装箱数 Lot
MS7075S-1-1	不锈钢 本色	内六角8mm带销3mm Hexagon female 8mm with 3mm pin	99.5	200
MS7075S-1-2		直槽芯 slot insert	可以定制生产	
MS7075S-1-3		2x4直槽防硬币型 2x4 Slot coin proof	可以定制生产	
MS7075S-1-4		一字芯3mm Double Bit	可以定制生产	
MS7075S-1-5		一字芯4mm Double Bit	可以定制生产	
MS7075S-1-6		一字芯5mm Double Bit	可以定制生产	
MS7075S-1-7		S型芯 4.5mm insert	可以定制生产	
MS7075S-1-8		三角7mm Triangular	可以定制生产	
MS7075S-1-9		三角8mm Triangular	可以定制生产	
MS7075S-1-10		四方6mm Square	可以定制生产	
MS7075S-1-11		四方7mm Square	可以定制生产	
MS7075S-1-12		四方8mm Square	可以定制生产	
MS7075S-1-13		四方7mm带槽 Square 7mm with slot	可以定制生产	
MS7075S-1-14		四方8mm带槽 Square 8mm with slot	可以定制生产	
MS7075S-1-15		内四方8mm Female square 8mm	可以定制生产	
MS7075S-1-16		内六角8mm Hexagon female 8mm	可以定制生产	
MS7075S-1-17		内六角9mm Hexagon female 9mm	可以定制生产	
MS7075S-1-18		内六角10mm Hexagon female 10mm	可以定制生产	
MS7075S-1-19		外六角10mm Hexagon male 10mm	可以定制生产	
MS7075S-1-20		半圆型锁芯 13 Eastern Europe 13	可以定制生产	
MS7075S-1-21		三角带螺丝孔型 Triangular 10mm with M5 screw hole	可以定制生产	

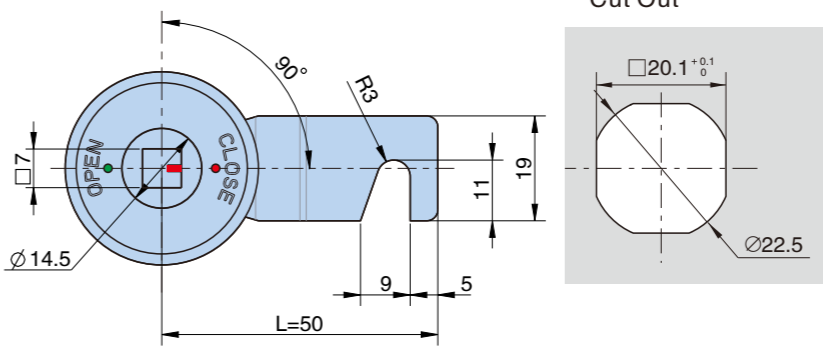
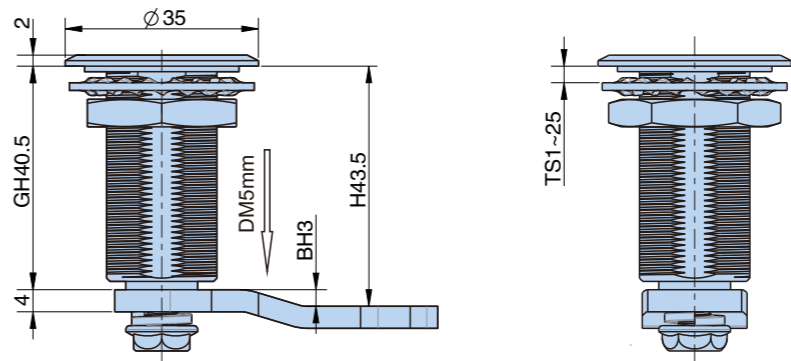
- 材质：全不锈钢
- 表面处理：本色
- 结构功能：压缩式门锁，压缩量约为6MM，锁芯旋转180°开锁
- 适用门板厚度：1~15mm
- 备注：锁片开孔 8x8
- Material: Stainless steel
- Finish: Raw
- Panel thickness: 1~15mm
- Remark: Cam Cutout 8x8

压缩式转舌锁 Compression Cam Lock



型号 Product no.	产品单重(g) Weight	装箱数 Lot
MS7093S-1-1		

压缩式转舌锁 Compression Cam Lock



型号 Product no.	产品单重(g) Weight	装箱数 Lot
MS7094S-1-1		

MS7093S-1-1



- 材质：全不锈钢
- 表面处理：本色
- 结构功能：压缩式门锁，压缩量约为5MM，锁芯旋转180°开锁
- 适用门板厚度：1~6mm
- 备注：锁片开孔 8x8
- Material: Stainless steel
- Finish: Raw
- Panel thickness: 1~6mm
- Remark: Cam Cutout 8x8

MS7094S-1-1



- 材质：全不锈钢
- 表面处理：本色
- 结构功能：压缩式门锁，压缩量约为5MM，锁芯旋转180°开锁
- 适用门板厚度：1~25mm
- 备注：锁片开孔 8x8
- Material: Stainless steel
- Finish: Raw
- Panel thickness: 1~25mm
- Remark: Cam Cutout 8x8

A拉手系列
Handles series

B平面锁系列
Plane lock series

C连杆锁系列
Rod control series

D面板锁系列
Plane lock series

E执手锁系列
Handle lock series

F转舌锁系列
Cam lock series

G铰链系列
Hinge series

H搭扣锁系列
Toggle lock series

I门销系列
Door bolt series

J电子锁系列
Electronic lock series

K密封条系列
Gasketing series

L限位系列
Door stop series

M附件系列
Accessories series

N不锈钢件系列
Stainless steel series

A拉手系列
Handles series

B平面锁系列
Plane lock series

C连杆锁系列
Rod control series

D面板锁系列
Plane lock series

E执手锁系列
Handle lock series

F转舌锁系列
Cam lock series

G铰链系列
Hinge series

H搭扣锁系列
Toggle lock series

I门销系列
Door bolt series

J电子锁系列
Electronic lock series

K密封条系列
Gasketing series

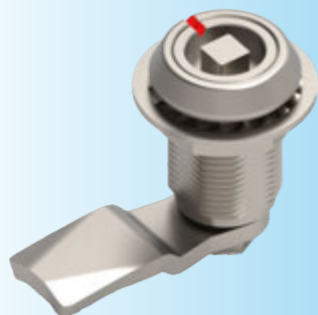
L限位系列
Door stop series

M附件系列
Accessories series

N不锈钢件系列
Stainless steel series

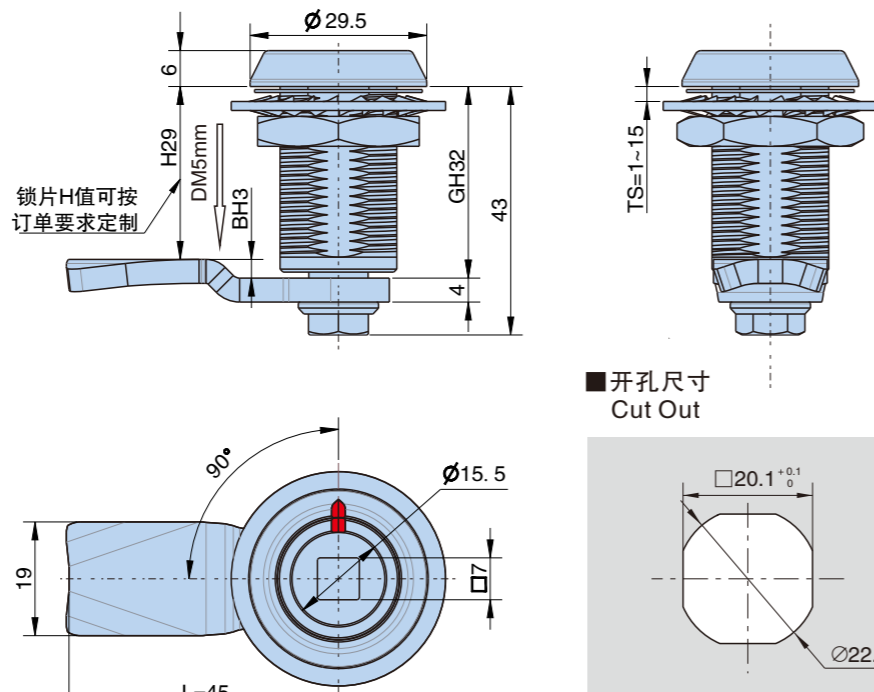
MS7095S-1-1

压缩式转舌锁 Compression Cam Lock



可定制产品
Customizable products

- 材质: 全不锈钢
- 表面处理: 本色
- 结构功能: 压缩式门锁, 压缩量约为5MM, 锁芯旋转180° 开锁
- 适用门板厚度: 1~25mm
- 备注: 锁片开孔 8×8
- Material: Stainless steel
- Finish: Raw
- Panel thickness: 1~25mm
- Remark: Cam Cutout 8×8



型号 Product no.	产品单重(g) Weight	装箱数 Lot
MS7095S-1-1		

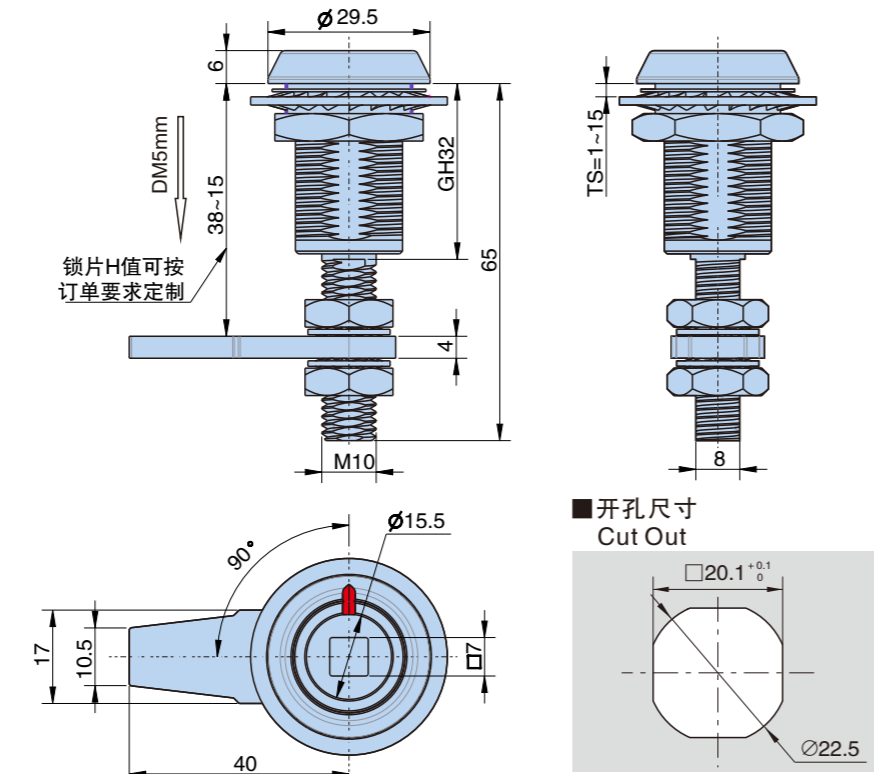
MS7095S-2-1

压缩式转舌锁 Compression Cam Lock



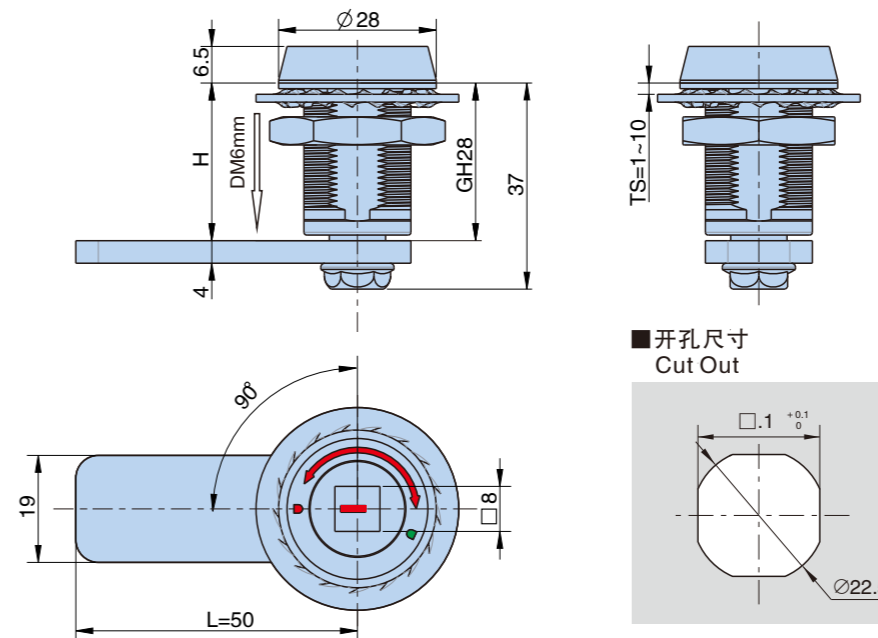
可定制产品
Customizable products

- 材质: 全不锈钢
- 表面处理: 本色
- 结构功能: 压缩式门锁, 压缩量约为5MM, 锁芯旋转180° 开锁
- 适用门板厚度: 1~15mm
- Material: Stainless steel
- Finish: Raw
- Panel thickness: 1~15mm



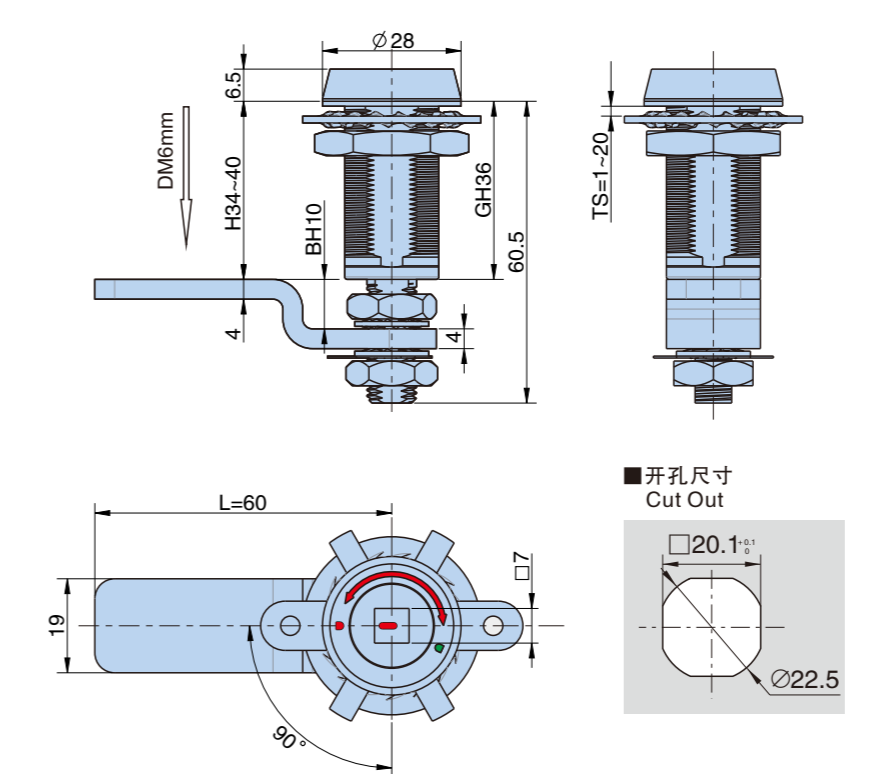
型号 Product no.	产品单重(g) Weight	装箱数 Lot
MS7095S-2-1		

压缩式转舌锁 Compression Cam Lock



型号 Product no.	产品单重(g) Weight	装箱数 Lot
MS7096S-1-1		

压缩式转舌锁 Compression Cam Lock



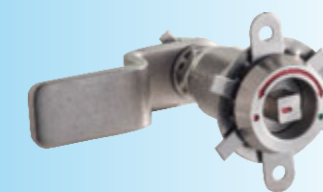
型号 Product no.	产品单重(g) Weight	装箱数 Lot
MS7096S-2-1		

MS7096S-1-1



- 材质: 全不锈钢
- 表面处理: 本色
- 结构功能: 压缩式门锁, 压缩量约为6MM, 锁芯旋转205° 开锁
- 备注: 锁片开孔 8×8
- 适用门板厚度: 1~10mm
- Material: Stainless steel
- Finish: Raw
- Panel thickness: 1~10mm
- Remark: Cam Cutout 8×8

MS7096S-2-1



- 材质: 全不锈钢
- 表面处理: 本色
- 结构功能: 压缩式门锁, 压缩量约为6MM, 锁芯旋转205° 开锁
- 适用门板厚度: 1~20mm
- Material: Stainless steel
- Finish: Raw
- Panel thickness: 1~20mm

A拉手系列
Handles series

B平面锁系列
Plane lock series

C连杆锁系列
Rod control series

D面板锁系列
Plane lock series

E执手锁系列
Handle lock series

F转舌锁系列
Cam lock series

G铰链系列
Hinge series

H搭扣锁系列
Toggle lock series

I门销系列
Door bolt series

J电子锁系列
Electronic lock series

K密封条系列
Gasketing series

L限位系列
Door stop series

M附件系列
Accessories series

N不锈钢件系列
Stainless steel series

索引
Index

A拉手系列
Handles series

B平面锁系列
Plane lock series

C连杆锁系列
Rod control series

D面板锁系列
Plane lock series

E执手锁系列
Handle lock series

F转舌锁系列
Cam lock series

G铰链系列
Hinge series

H搭扣锁系列
Toggle lock series

I门销系列
Door bolt series

J电子锁系列
Electronic lock series

K密封条系列
Gasketing series

L限位系列
Door stop series

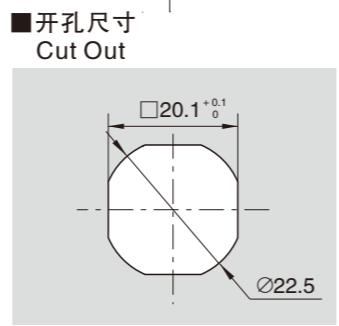
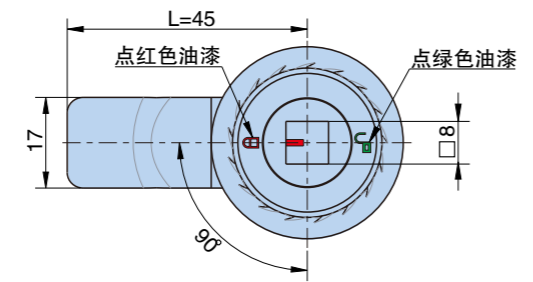
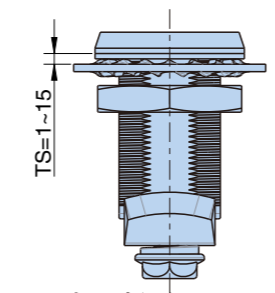
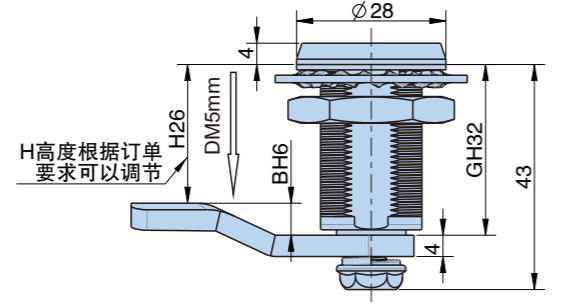
M附件系列
Accessories series

N不锈钢件系列
Stainless steel series

索引
Index

MS7097S-1-1

压缩式转舌锁 Compression Cam Lock

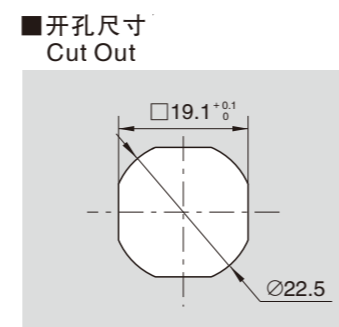
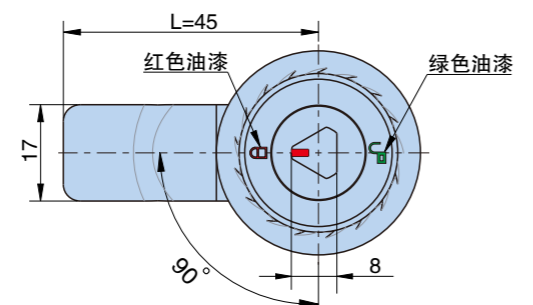
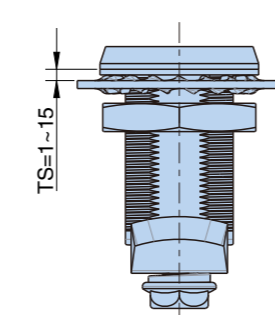
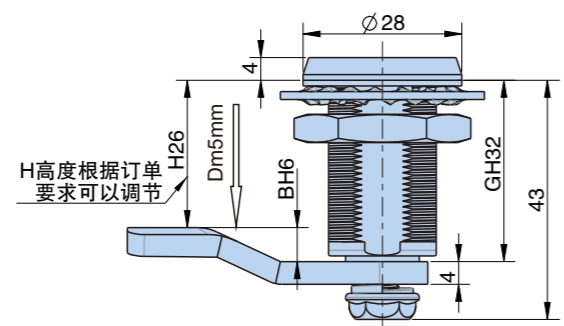


- 材质: 全不锈钢
- 表面处理: 本色
- 结构功能: 压缩式门锁, 压缩量约为5MM, 锁芯旋转180° 开锁
- 适用门板厚度: 1~15mm
- 备注: 锁片开孔 8×8
- Material: Stainless steel
- Finish: Raw
- Panel thickness: 1~15mm
- Remark: Cam Cutout 8×8

型号 Product no.	产品单重(g) Weight	装箱数 Lot
MS7097S-1-1		

MS7097S-1-2

压缩式转舌锁 Compression Cam Lock



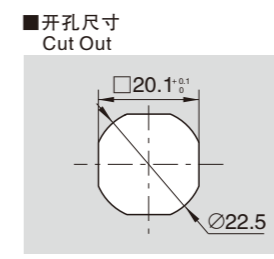
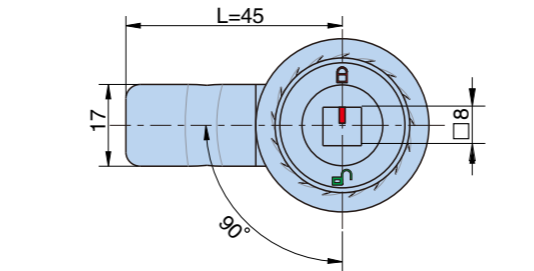
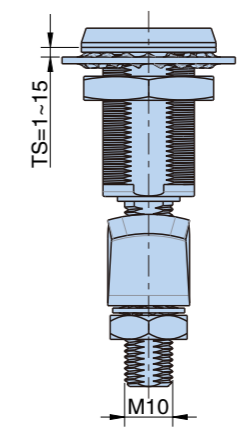
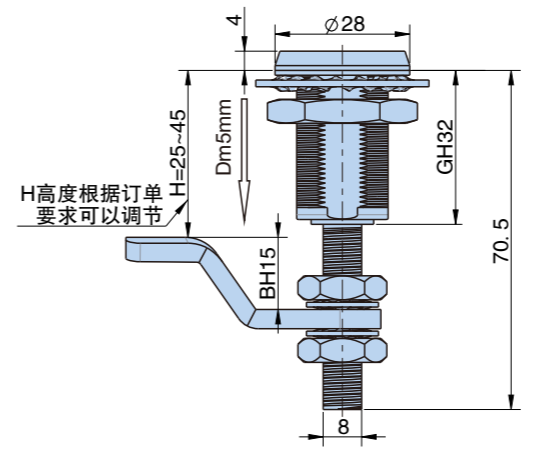
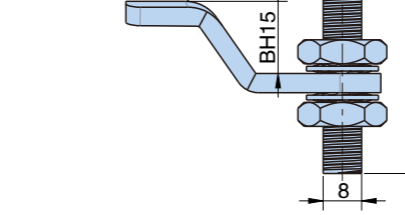
- 材质: 全不锈钢
- 表面处理: 本色
- 结构功能: 压缩式门锁, 压缩量约为5MM, 锁芯旋转180° 开锁
- 适用门板厚度: 1~15mm
- 备注: 锁片开孔 8×8
- Material: Stainless steel
- Finish: Raw
- Panel thickness: 1~15mm
- Remark: Cam Cutout 8×8

型号 Product no.	产品单重(g) Weight	装箱数 Lot
MS7097S-1-2		

N029

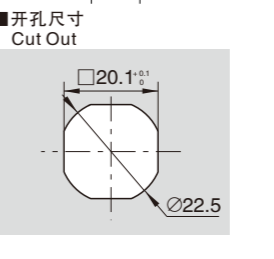
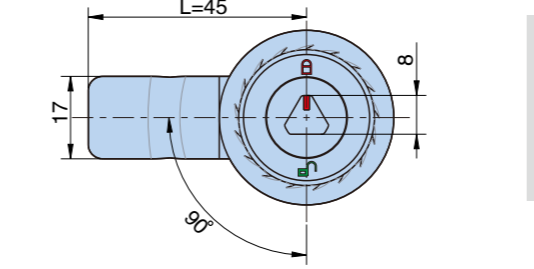
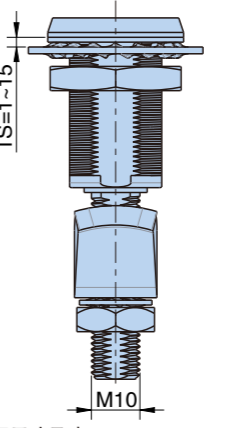
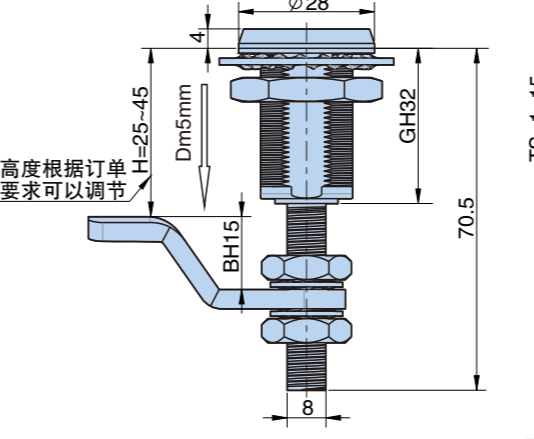
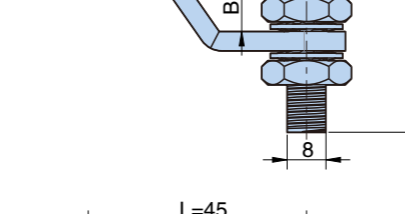
恒珠柜锁 电话(TEL):0795-2119999, 3256555 E-mail: admin@hengzhu.com

压缩式转舌锁 Compression Cam Lock



型号 Product no.	产品单重(g) Weight	装箱数 Lot
MS7097S-2-1		

压缩式转舌锁 Compression Cam Lock



型号 Product no.	产品单重(g) Weight	装箱数 Lot
MS7097S-2-1		

恒珠柜锁 电话(TEL):0795-2119999, 3256555 E-mail: admin@hengzhu.com

MS7097S-2-1



- 材质: 全不锈钢
- 表面处理: 本色
- 结构功能: 压缩式门锁, 压缩量约为5MM, 锁芯旋转180° 开锁
- 适用门板厚度: 1~15mm
- Material: Stainless steel
- Finish: Raw
- Panel thickness: 1~15mm

MS7097S-2-2



- 材质: 全不锈钢
- 表面处理: 本色
- 结构功能: 压缩式门锁, 压缩量约为5MM, 锁芯旋转180° 开锁
- 适用门板厚度: 1~15mm
- Material: Stainless steel
- Finish: Raw
- Panel thickness: 1~15mm

N030

A拉手系列
Handles series

B平面锁系列
Plane lock series

C连杆锁系列
Rod control series

D面板锁系列
Plane lock series

E执手锁系列
Handle lock series

F转舌锁系列
Cam lock series

G铰链系列
Hinge series

H搭扣锁系列
Toggle lock series

I门销系列
Door bolt series

J电子锁系列
Electronic lock series

K密封条系列
Gasketing series

L限位系列
Door stop series

M附件系列
Accessories series

N不锈钢件系列
Stainless steel series

A拉手系列
Handles series

B平面锁系列
Plane lock series

C连杆锁系列
Rod control series

D面板锁系列
Plane lock series

E执手锁系列
Handle lock series

F转舌锁系列
Cam lock series

G铰链系列
Hinge series

H搭扣锁系列
Toggle lock series

I门销系列
Door bolt series

J电子锁系列
Electronic lock series

K密封条系列
Gasketing series

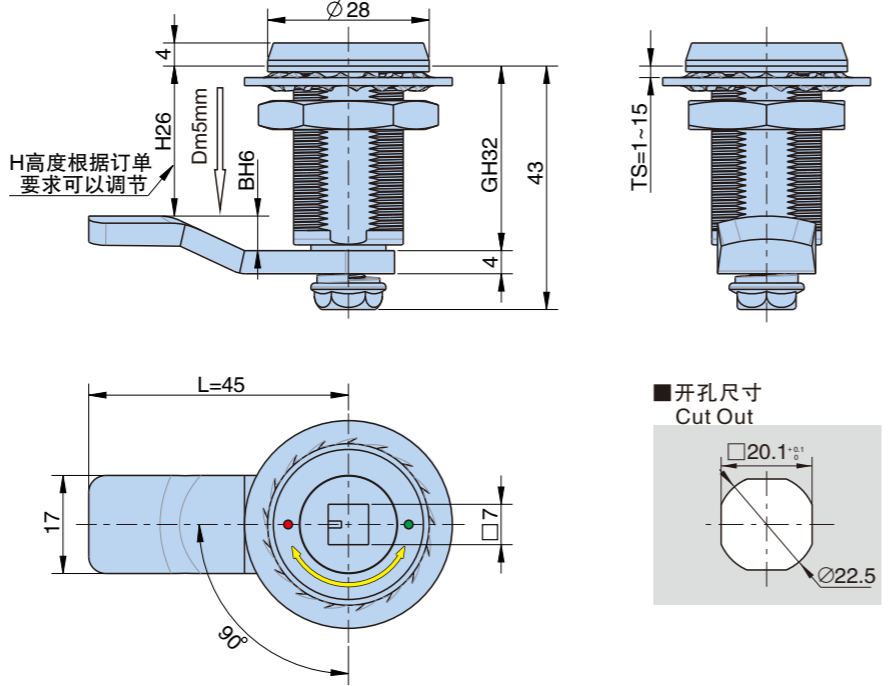
L限位系列
Door stop series

M附件系列
Accessories series

N不锈钢件系列
Stainless steel series

MS7097S-1A-1

压缩式转舌锁 Compression Cam Lock

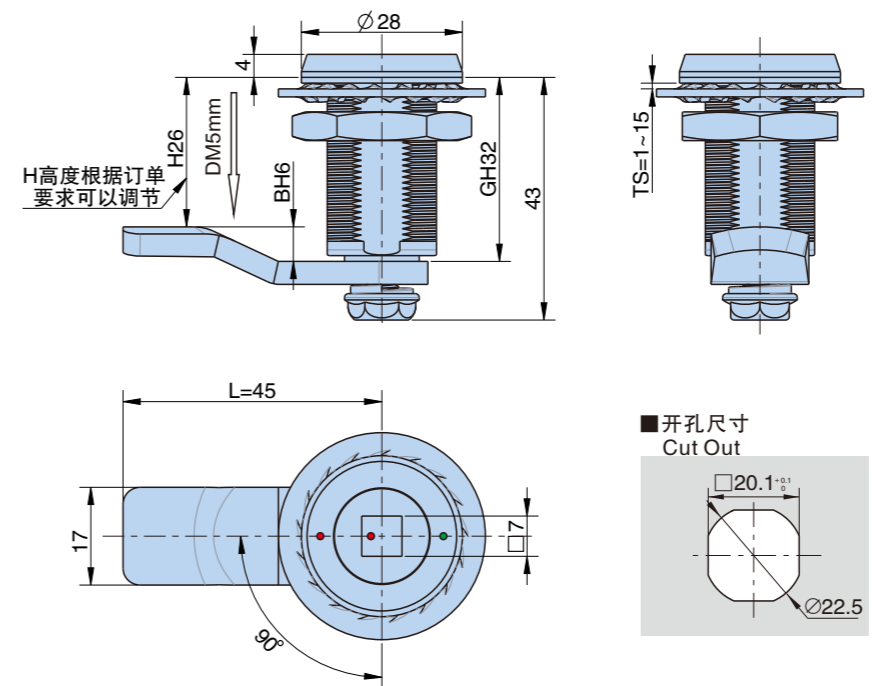


- 材质: 全不锈钢
- 表面处理: 本色
- 结构功能: 压缩式门锁, 压缩量约为5MM, 锁芯旋转180° 开锁
- 适用门板厚度: 1~15mm
- 备注: 锁片开孔 8×8
- Material: Stainless steel
- Finish: Raw
- Panel thickness: 1~6mm
- Remark: Cam Cutout 8×8

型号 Product no.	产品单重(g) Weight	装箱数 Lot
MS7097S-1A-1		

压缩式转舌锁 Compression Cam Lock

MS7097S-1B-1

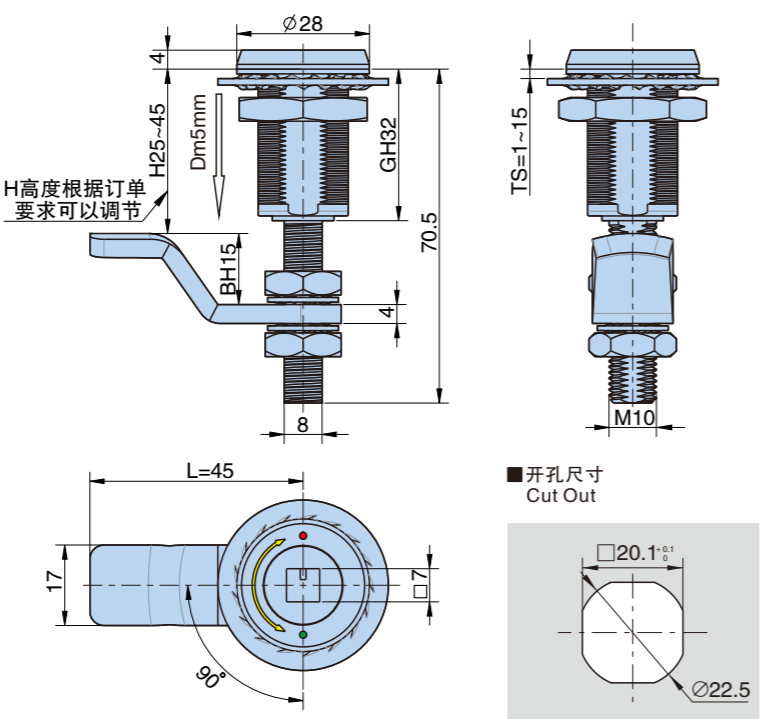


- 材质: 全不锈钢
- 表面处理: 本色
- 结构功能: 压缩式门锁, 压缩量约为5MM, 锁芯旋转180° 开锁
- 适用门板厚度: 1~15mm
- 备注: 锁片开孔 8×8
- Material: Stainless steel
- Finish: Raw
- Panel thickness: 1~6mm
- Remark: Cam Cutout 8×8

型号 Product no.	产品单重(g) Weight	装箱数 Lot
MS7097S-1B-1		

MS7097S-2A-1

压缩式转舌锁 Compression Cam Lock

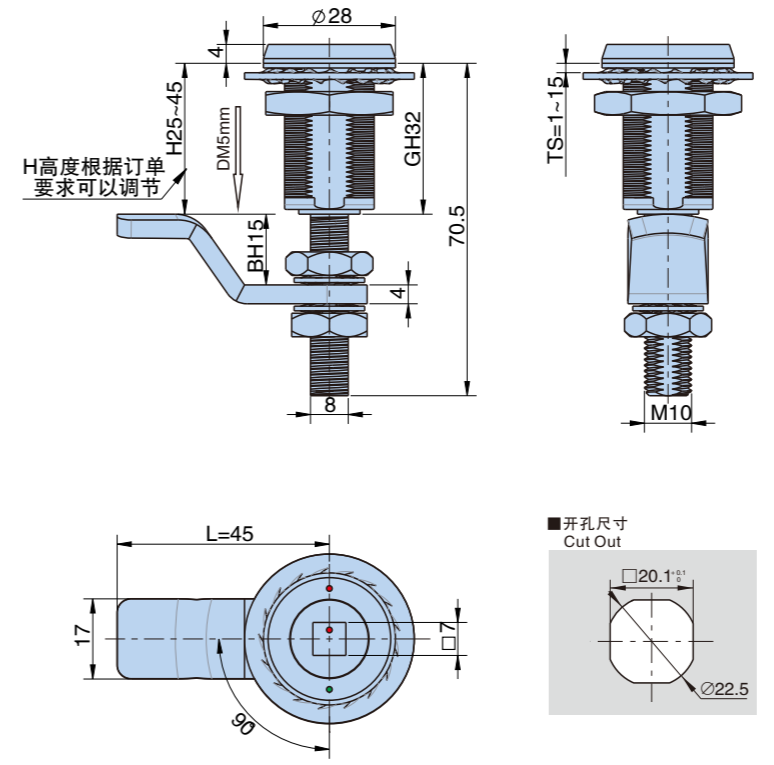


- 材质: 全不锈钢
- 表面处理: 本色
- 结构功能: 压缩式门锁, 压缩量约为5MM, 锁芯旋转180° 开锁
- 适用门板厚度: 1~15mm
- Material: Stainless steel
- Finish: Raw
- Panel thickness: 1~15mm

型号 Product no.	产品单重(g) Weight	装箱数 Lot
MS7097S-2A-1		

压缩式转舌锁 Compression Cam Lock

MS7097S-2B-1



- 材质: 全不锈钢
- 表面处理: 本色
- 结构功能: 压缩式门锁, 压缩量约为5MM, 锁芯旋转180° 开锁
- 适用门板厚度: 1~15mm
- Material: Stainless steel
- Finish: Raw
- Panel thickness: 1~15mm

型号 Product no.	产品单重(g) Weight	装箱数 Lot
MS7097S-2B-1		

A拉手系列
Handles series

B平面锁系列
Plane lock series

C连杆锁系列
Rod control series

D面板锁系列
Plane lock series

E执手锁系列
Handle lock series

F转舌锁系列
Cam lock series

G铰链系列
Hinge series

H搭扣锁系列
Toggle lock series

I门销系列
Door bolt series

J电子锁系列
Electronic lock series

K密封条系列
Gasketing series

L限位系列
Door stop series

M附件系列
Accessories series

N不锈钢件系列
Stainless steel series

索引
Index

A拉手系列
Handles series

B平面锁系列
Plane lock series

C连杆锁系列
Rod control series

D面板锁系列
Plane lock series

E执手锁系列
Handle lock series

F转舌锁系列
Cam lock series

G铰链系列
Hinge series

H搭扣锁系列
Toggle lock series

I门销系列
Door bolt series

J电子锁系列
Electronic lock series

K密封条系列
Gasketing series

L限位系列
Door stop series

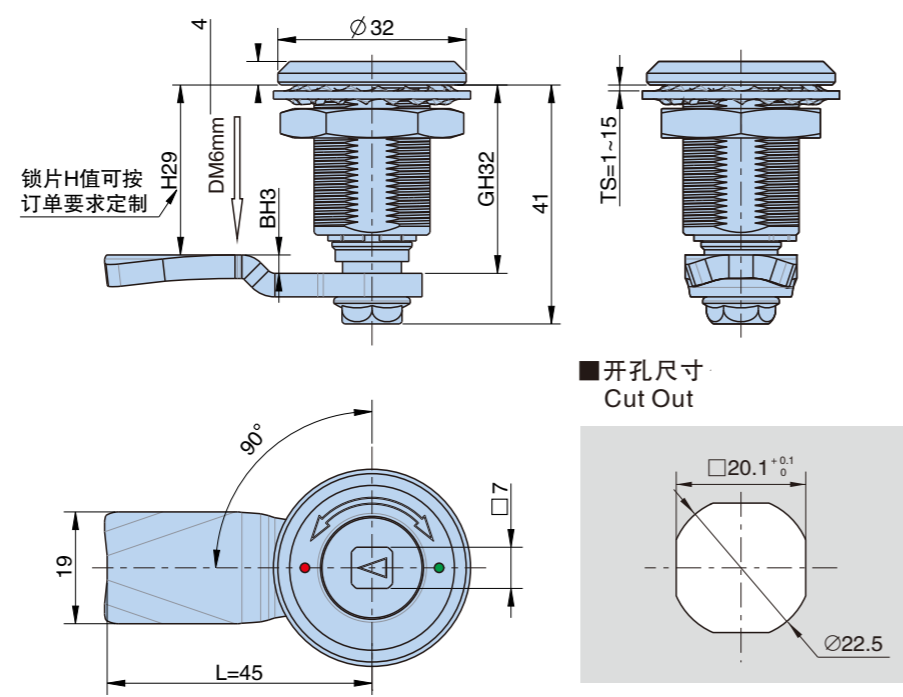
M附件系列
Accessories series

N不锈钢件系列
Stainless steel series

索引
Index

MS7098S-1-1

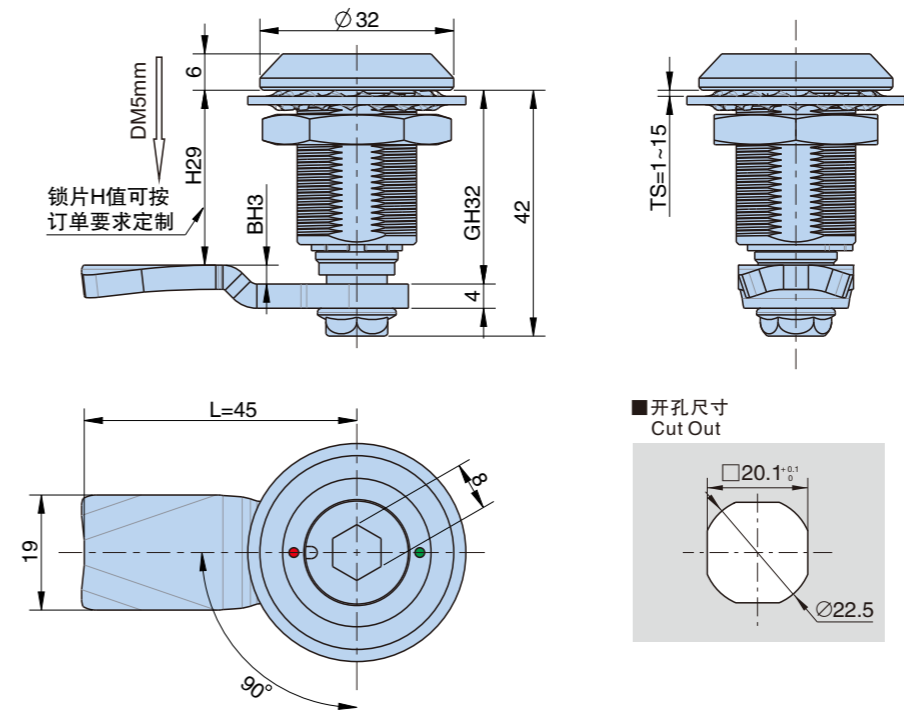
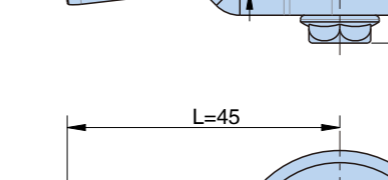
压缩式转舌锁 Compression Cam Lock



- 材质: 全不锈钢
- 表面处理: 本色
- 结构功能: 压缩式门锁, 压缩量约为5MM, 锁芯旋转180° 开锁
- 适用门板厚度: 1~15mm
- 备注: 锁片开孔 8×8
- Material: Stainless steel
- Finish: Raw
- Panel thickness: 1~6mm
- Remark: Cam Cutout 8×8

型号 Product no.	产品单重(g) Weight	装箱数 Lot
MS7098S-1-1		

压缩式转舌锁 Compression Cam Lock

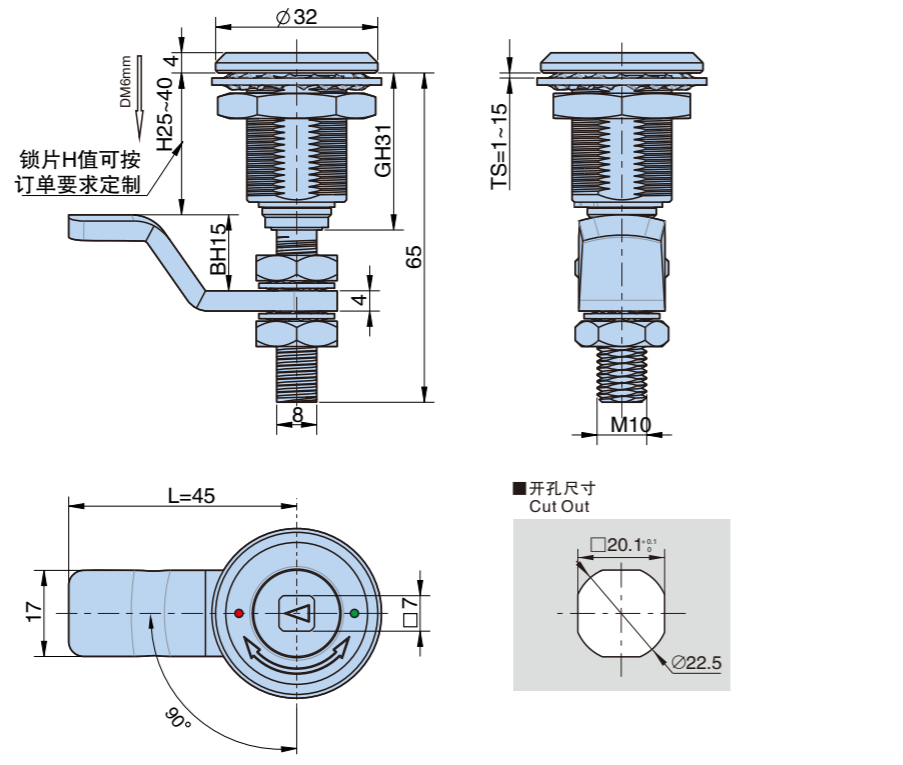


- 材质: 全不锈钢
- 表面处理: 本色
- 结构功能: 压缩式门锁, 压缩量约为5MM, 锁芯旋转180° 开锁
- 适用门板厚度: 1~15mm
- 备注: 锁片开孔 8×8
- Material: Stainless steel
- Finish: Raw
- Panel thickness: 1~6mm
- Remark: Cam Cutout 8×8

型号 Product no.	产品单重(g) Weight	装箱数 Lot
MS7099S-1-1		

MS7098S-2-1

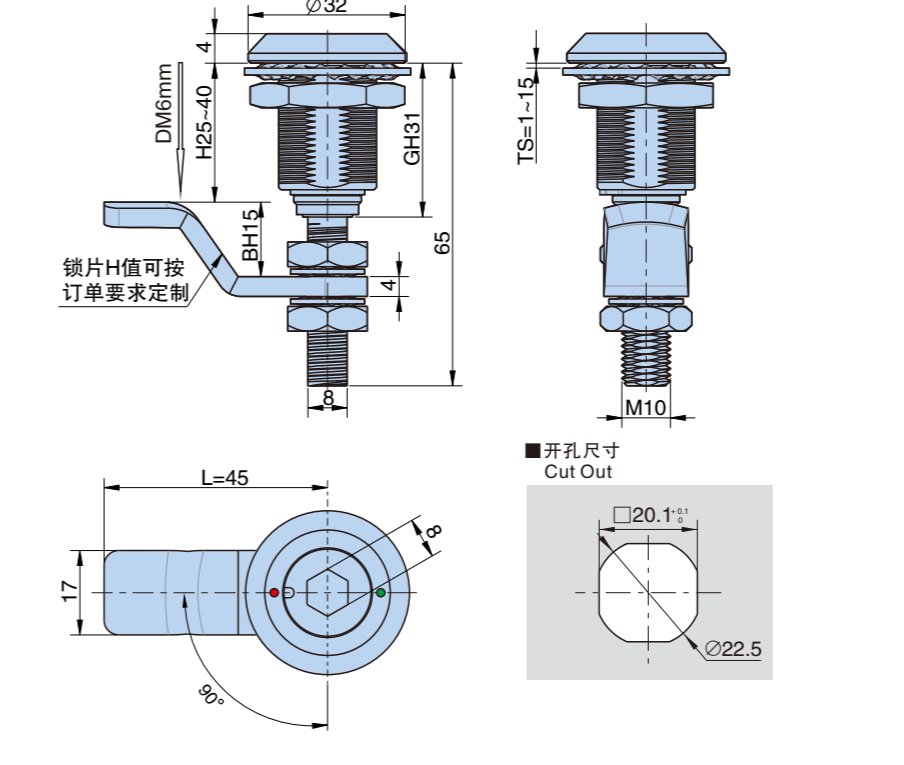
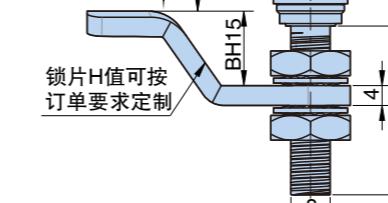
压缩式转舌锁 Compression Cam Lock



- 材质: 全不锈钢
- 表面处理: 本色
- 结构功能: 压缩式门锁, 压缩量约为6MM, 锁芯旋转180° 开锁
- 适用门板厚度: 1~15mm
- Material: Stainless steel
- Finish: Raw
- Panel thickness: 1~15mm

型号 Product no.	产品单重(g) Weight	装箱数 Lot
MS7098S-2-1		

压缩式转舌锁 Compression Cam Lock



- 材质: 全不锈钢
- 表面处理: 本色
- 结构功能: 压缩式门锁, 压缩量约为6MM, 锁芯旋转180° 开锁
- 适用门板厚度: 1~15mm
- Material: Stainless steel
- Finish: Raw
- Panel thickness: 1~15mm

型号 Product no.	产品单重(g) Weight	装箱数 Lot
MS7099S-2-1		

MS7099S-2-1

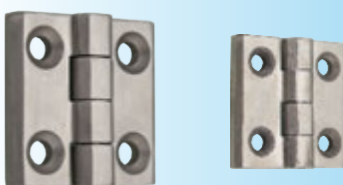


✓
可定制产品
Customizable products

- 材质: 全不锈钢
- 表面处理: 本色
- 结构功能: 压缩式门锁, 压缩量约为6MM, 锁芯旋转180° 开锁
- 适用门板厚度: 1~15mm
- Material: Stainless steel
- Finish: Raw
- Panel thickness: 1~15mm

HL050-S

平面安装外露式铰链 Flat Mounting Exposed Hinge



HL050-1S

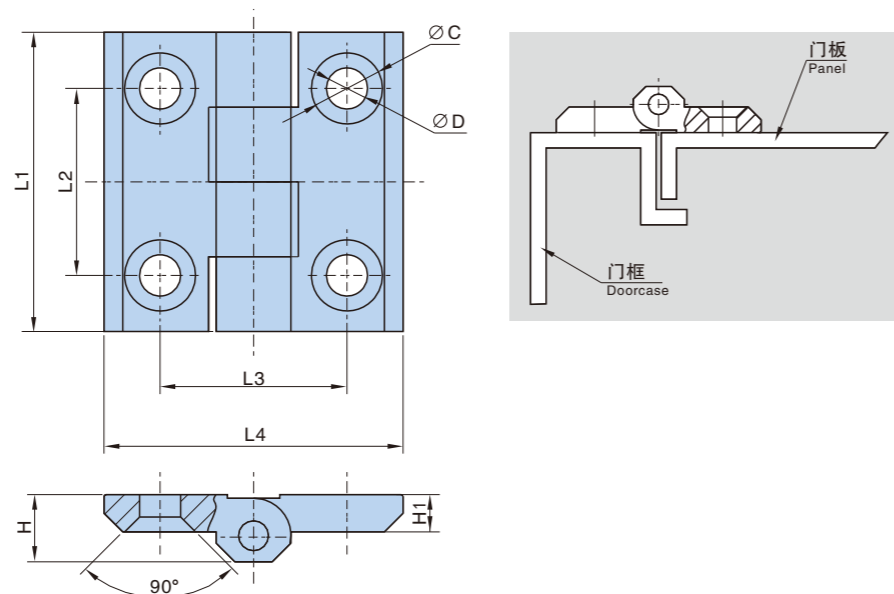
HL050-2S



HL050-3S

HL050-2GS

- 材质：不锈钢动、静铰链，不锈钢销子
- 表面处理：拉丝
- 备注：旋转约180°。
- Material: stainless steel hinge、stainless steel pin
- Remark: 180° hinge
- Finish: wire drawing



基本尺寸 Dimensions								产品型号及特性 Product Number		
L1	L2	L3	L4	H	ØC	ØD	H1	不锈钢 Stainless steel	产品 单重(g) Weight	装箱数 Lot
60	36	36	60	15	15.5	8.5	8	HL050-1S	168.2	200
50	30	30	51	12	12.5	6.3	6	HL050-2S	102	200
40	25	25	40	9	10	5.3	5	HL050-3S	50	500
50	30	56	76	12	12.5	6.5	6	HL050-2GS	145	200

HL055

平面安装外露式铰链 Flat Mounting Exposed Hinge

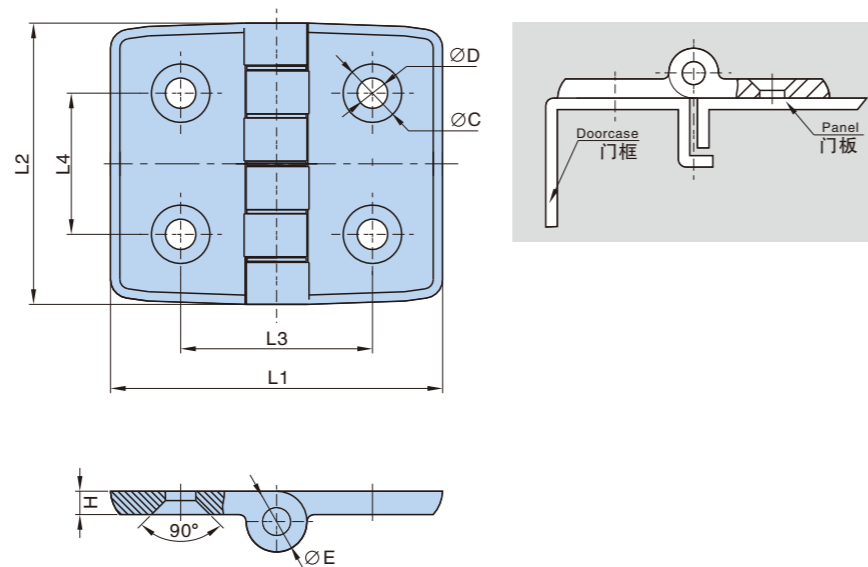


HL055-1



HL055-2

- 材质：不锈钢
- 表面处理：拉丝
- 备注：转动约为180°
- Material: Stainless steel hinge
- Finish: drawing
- Remark: 180° hinge

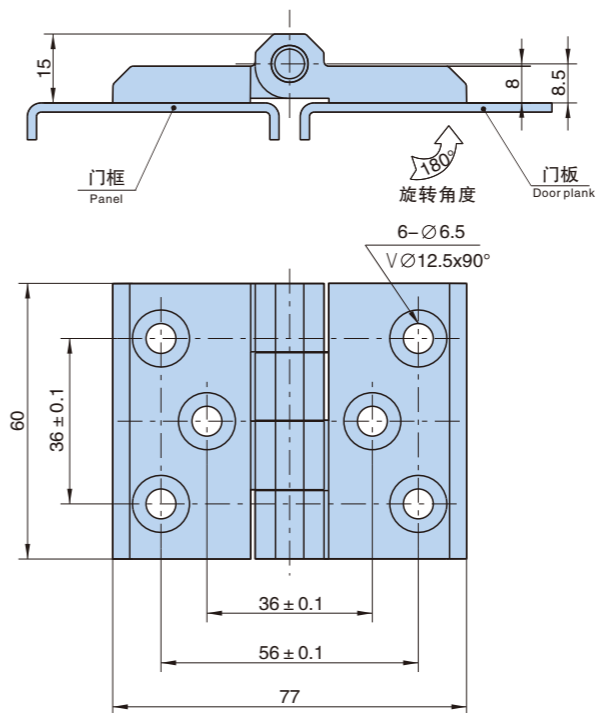


基本尺寸 Dimensions									产品型号及特性 Product Number	产品单重(g) Weight	装箱数 Lot
L1	L2	L3	L4	H	C	D	E				
71	60	41	30	5	12.5	6.5	13	HL055-1	154	500	
51	40	32.5	20	4.3	10.5	5.5	10	HL055-2	59	500	

N035

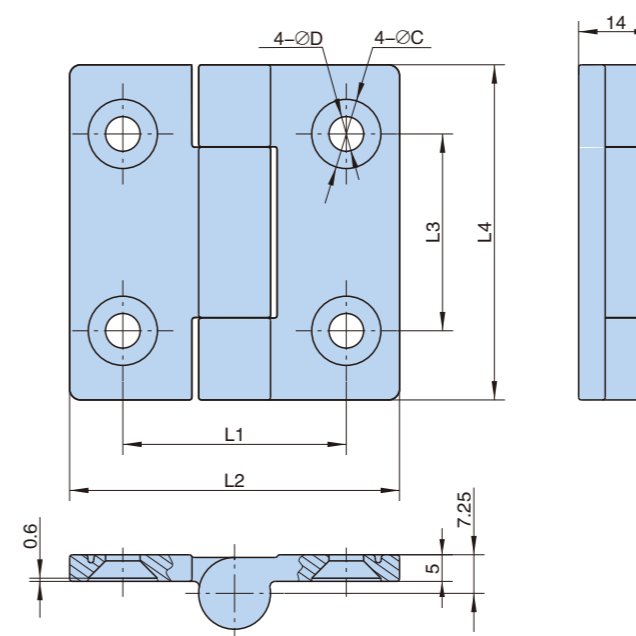
恒珠柜锁 电话(TEL):0795-2119999, 3256555 E-mail: admin@hengzhu.com

平面安装外露式铰链 Flat Mounting Exposed Hinge



型号 Product no.	产品单重(g) Weight	装箱数 Lot
HL133S	223	200

平面安装外露式铰链 Flat Mounting Exposed Hinge



基本尺寸 Dimensions						产品型号及特性 Product Number	产品单重(g) Weight	装箱数 Lot
L1	L2	L3	L4	4-ØD	4-ØC			
42	62	37	63	6.5	13	HL151-1S	290.5	500
32	47	30	46.5	5.5	11	HL151-2S	95	500

HL133S



- 材质：不锈钢铰链、销子
- 表面处理：拉丝
- 备注：旋转约180°
- Material: Stainless steel hinge and pin
- Finish: drawing
- Remark: 180° hinge

HL151



HL151-1S



HL151-2S

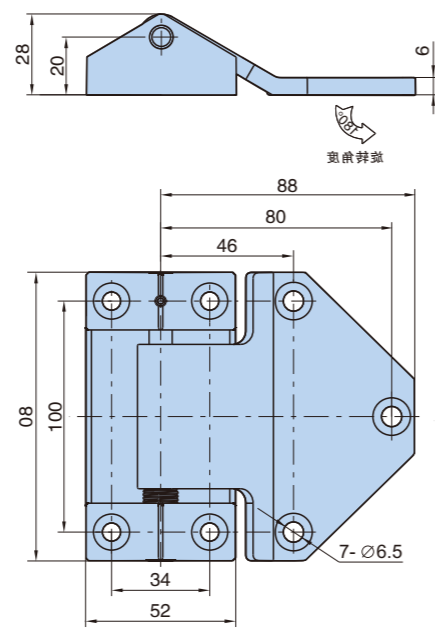
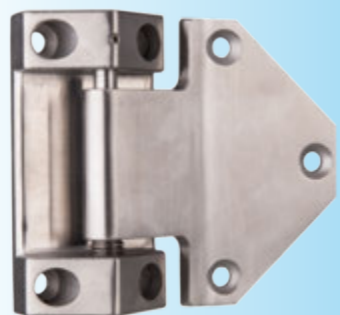
- 材质：不锈钢铰链
- 表面处理：镜面抛光
- 备注：旋转约270°
- Material: Stainless steel hing
- Finish: Mirror polished or brushed
- Remark: 270° hinge

N036

恒珠柜锁 电话(TEL):0795-2119999, 3256555 E-mail: admin@hengzhu.com

HL131S-1L

平面重型外露式铰链 Flat heavy duty exposed hinge

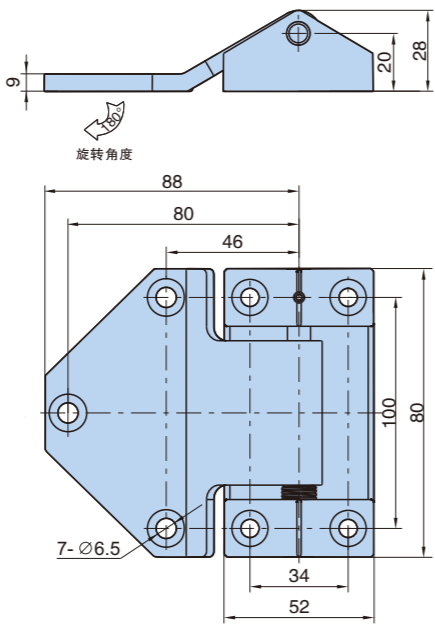
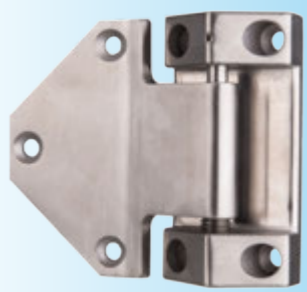


- 材质: 不锈钢铰链
- 表面处理: 拉丝
- 备注: 旋转约180°
- Material: Stainless steel hinge
- Finish: drawing
- Remark: 180° hinge

型号 Product no.	产品单重(g) Weight	装箱数 Lot
HL131S-1L	523	40

HL131S-1R

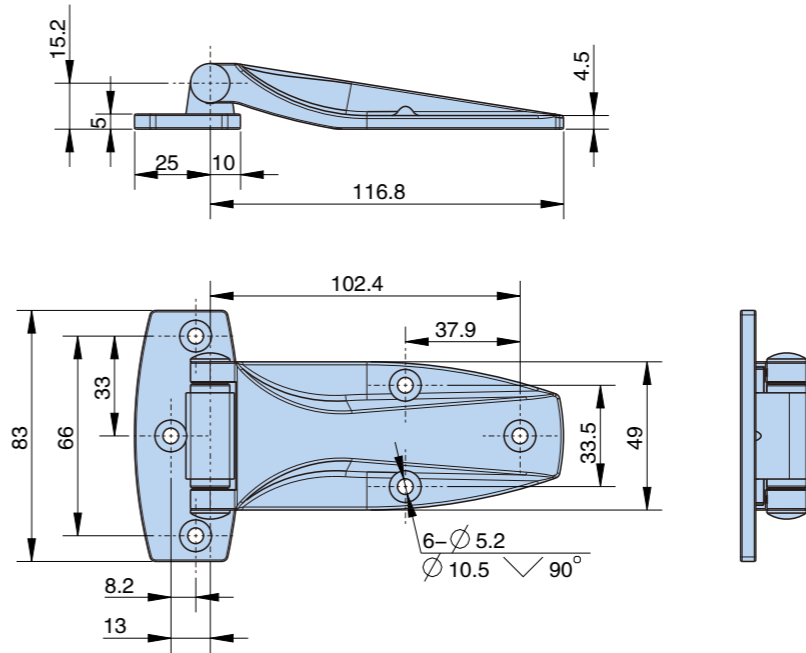
平面重型外露式铰链 Flat heavy duty exposed hinge



- 材质: 不锈钢铰链
- 表面处理: 拉丝
- 备注: 旋转约180°
- Material: Stainless steel hinge
- Finish: drawing
- Remark: 180° hinge

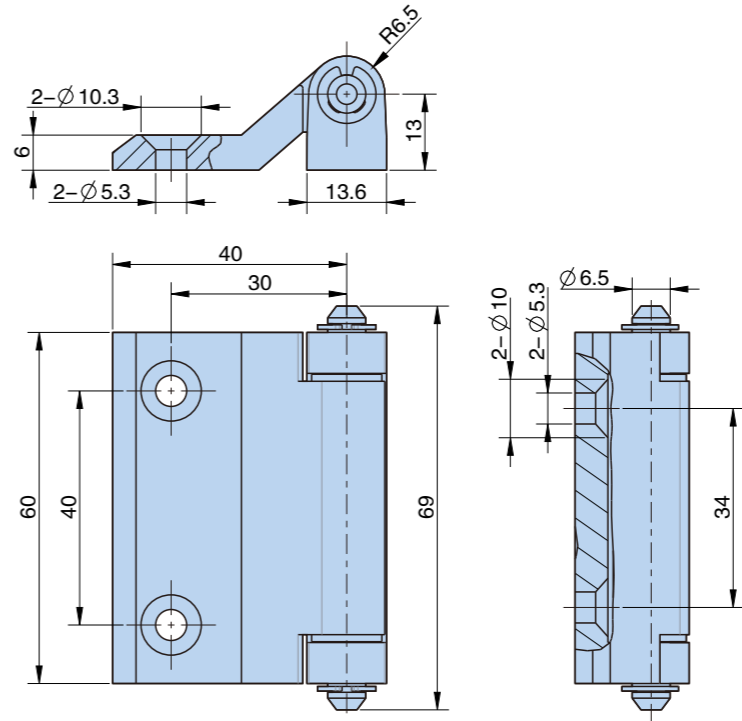
型号 Product no.	产品单重(g) Weight	装箱数 Lot
HL131S-1R	523	40

平面安装外露式铰链 Flat Mounting Exposed Hinge



型号 Product no.	产品单重(g) Weight	装箱数 Lot
HL180S-1		

平面安装外露式铰链 Flat Mounting Exposed Hinge



型号 Product no.	产品单重(g) Weight	装箱数 Lot
HL111S-2		

HL180S-1



✓
可定制产品
Customizable products

- 材质: 不锈钢动、静铰链, 不锈钢销子
- 表面处理: 拉丝
- 备注: 旋转约180°
- Material: stainless hinge, stainless steel pin
- Finish: drawing
- Remark: 180° hinge

HL111S-2

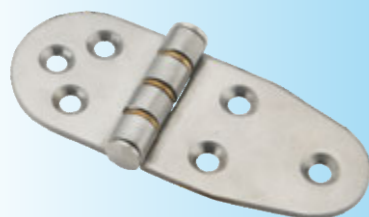


✓
可定制产品
Customizable products

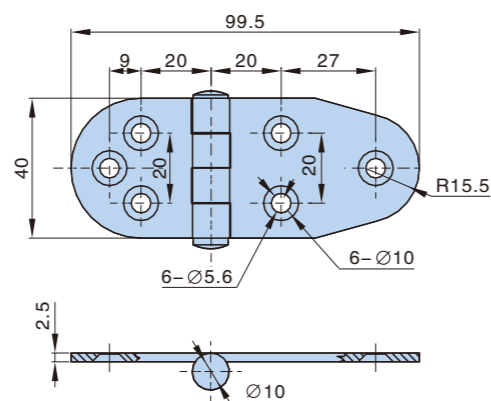
- 材质: 不锈钢动、静铰链, 不锈钢销子
- 表面处理: 拉丝
- 备注: 旋转约180°
- Material: stainless hinge, stainless steel pin
- Finish: drawing
- Remark: 180° hinge

HL071

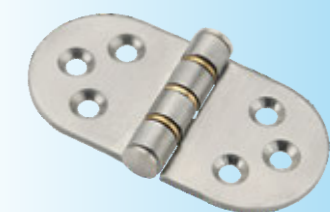
平面安装外露式铰链 Flat Mounting Exposed Hinge



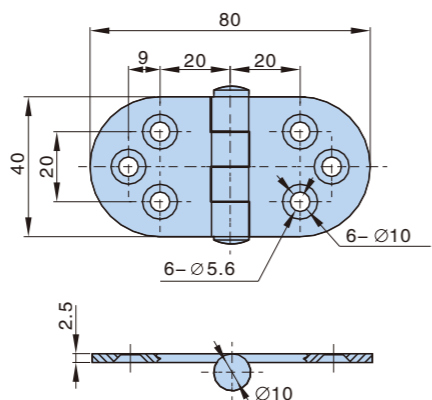
HL071-1



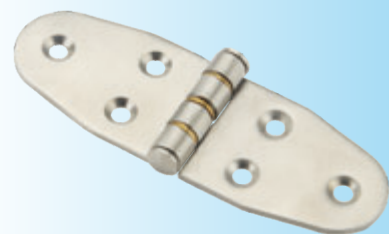
HL071-1



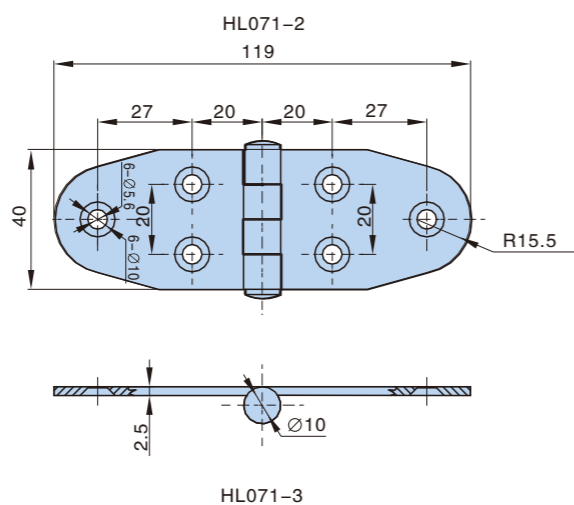
HL071-2



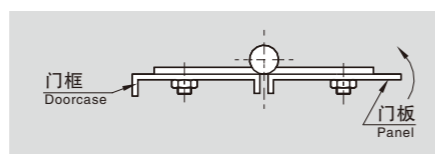
HL071-2



HL071-3



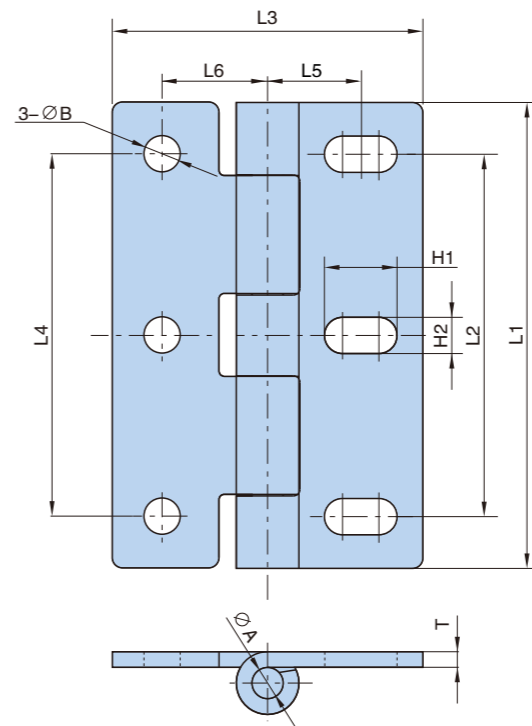
HL071-3



型号 Product no.	产品单重(g) Weight	装箱数 Lot
HL071-1	79	300
HL071-2	68	300
HL071-3	91	300

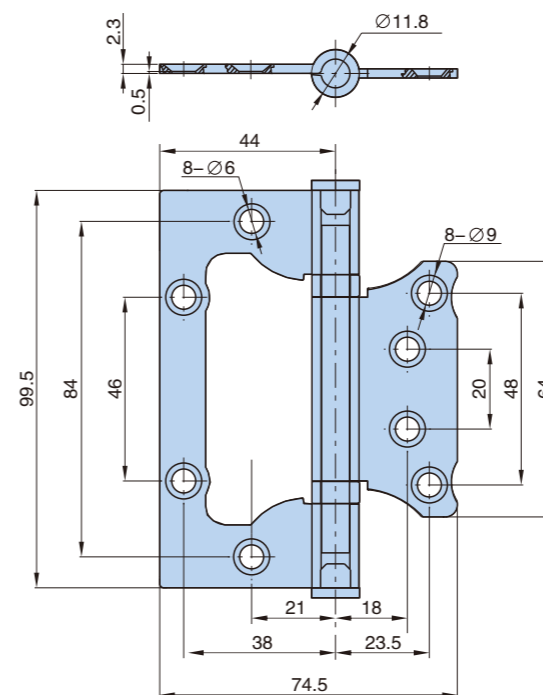
- 材质: 不锈钢铰链
- 表面处理: 拉丝
- 备注: 转动约为180°。
- Material: stainless steel body
- Finish: drawing
- Remark: 180° hinge.

平面安装外露式铰链 Flat Mounting Exposed Hinge



基本尺寸 Dimensions										产品型号 Product Number	产品单重(g) Weight	装箱数 Lot	
L1	L2	L3	L4	L5	L6	H1	H2	T	ØA	ØB	HL115-1	170.5	200
90	70	60	70	19	19	12	7	3	6.1	7	HL115-2	77	300
75	54	50	54	15	15	12	6	2	4.6	5.5			

平面安装外露式铰链 Flat Mounting Exposed Hinge



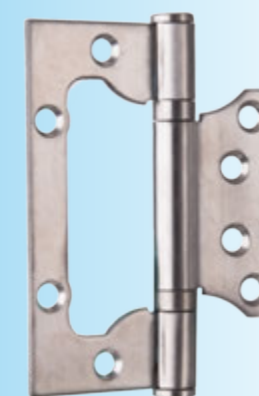
型号 Product no.	产品单重(g) Weight	装箱数 Lot
HL118	142	200

HL115



- 材质: 不锈钢动、静铰链, 不锈钢销子
- 表面处理: 拉丝
- 备注: 转动约180°
- Material: stainless hinge, Stainless steel pin
- Finish: drawing
- Remark: 180° hinge.

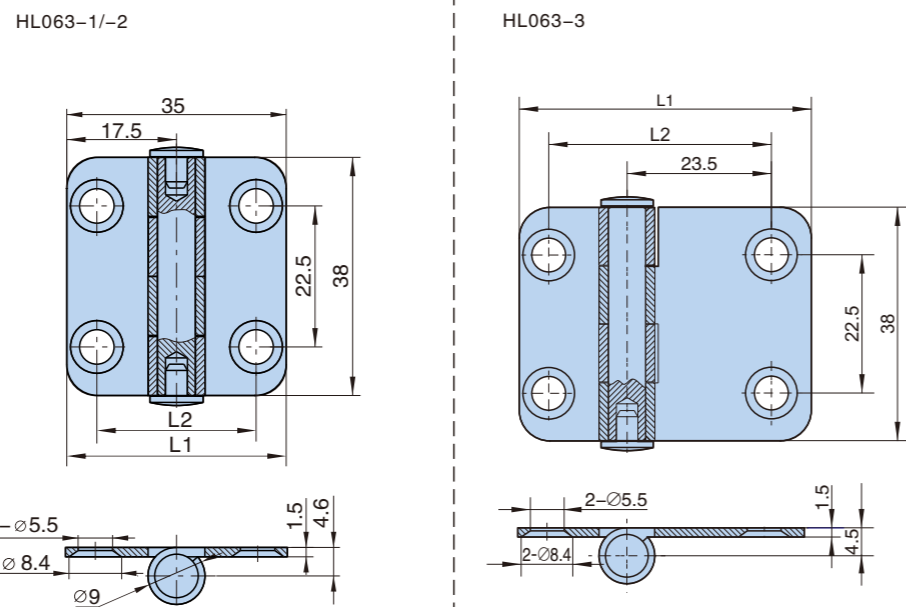
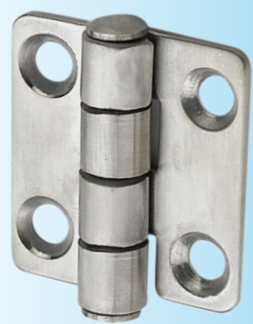
HL118



- 材质: 不锈钢动、静铰链, 不锈钢销子
- 表面处理: 拉丝
- 备注: 旋转约180°
- Material: stainless hinge, stainless steel pin
- Finish: drawing
- Remark: 180° hinge

HL063

平面安装外露式铰链 Flat Mounting Exposed Hinge

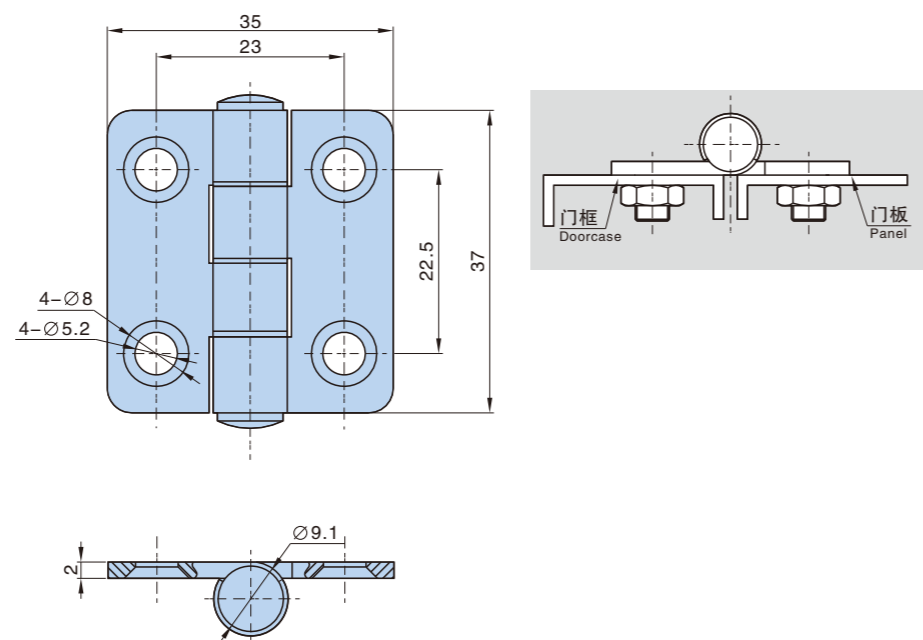


- 材质: 不锈钢铰链
- 表面处理: 拉丝
- 备注: 转动约为180°
- Material: stainless steel body
- Finish: drawing
- Remark: 180° hinge

基本尺寸 Dimensions		产品型号及特性 Product Number	产品单重(g) Weight	装箱数 Lot
L1	L2			
35	25.4	HL063-1	30	500
60	47	HL063-2	39	500
47.5	36.2	HL063-3	35	500

HL070

平面安装外露式铰链 Flat Mounting Exposed Hinge



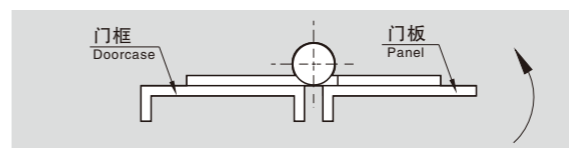
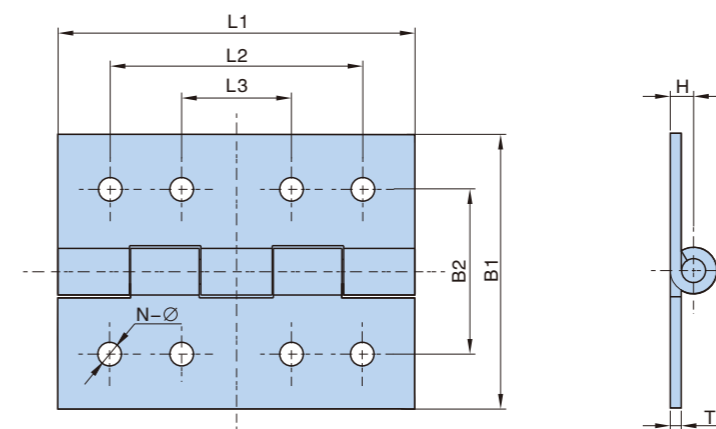
- 材质: 不锈钢铰链
- 表面处理: 拉丝
- 备注: 转动约为180°
- Material: stainless steel body
- Finish: drawing
- Remark: 180° hinge

型号 Product no.	产品单重(g) Weight	装箱数 Lot
HL070	31.5	500

N041

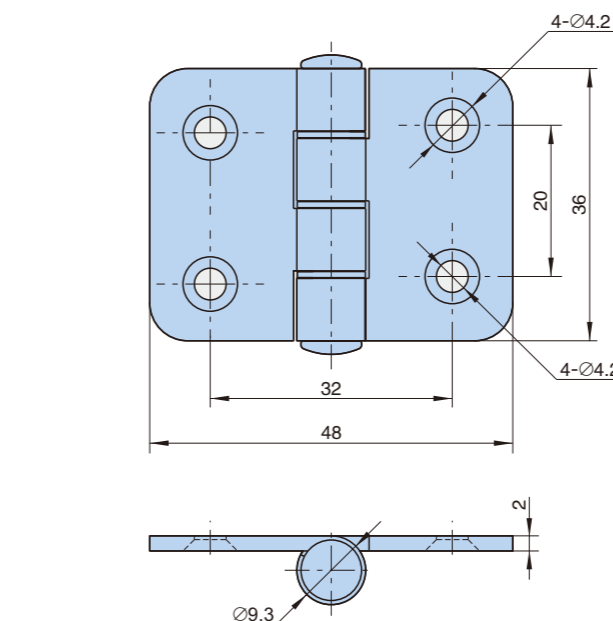
恒珠柜锁 电话(TEL):0795-2119999, 3256555 E-mail: admin@hengzhu.com

平面安装外露式铰链 Flat Mounting Exposed Hinge



基本尺寸 Dimensions								产品型号及特性 Product Number	产品单重(g) Weight	装箱数 Lot	
L1	L2	L3	B1	B2	∅	H	T				
100	78	26	60	38	6.4	6	3	8	HL072-1	191	200
90	70		60	38	6.4	6	3	6	HL072-2	175	200
75	54		50	30	5.3	4.3	1.5	6	HL072-3	62	200

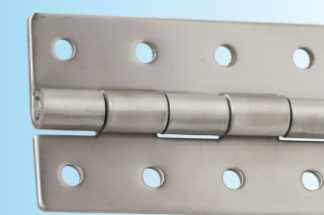
平面安装外露式铰链 Flat Mounting Exposed Hinge



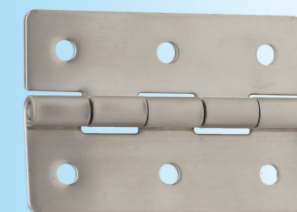
型号 Product no.	产品单重(g) Weight	装箱数 Lot
HL077	37	500

恒珠柜锁 电话(TEL):0795-2119999, 3256555 E-mail: admin@hengzhu.com

HL072



HL072-1



HL072-3

- 材质: 不锈钢铰链
- 表面处理: 拉丝
- 备注: 转动约为180°
- Material: stainless steel body
- Finish: drawing
- Remark: 180° hinge.

HL077



- 材质: 不锈钢铰链
- 表面处理: 拉丝
- 备注: 转动约为180°
- Material: stainless steel body
- Finish: drawing
- Remark: 180° hinge.

N042

A拉手系列
Handles series

B平面锁系列
Plane lock series

C连杆锁系列
Rod control series

D面板锁系列
Plane lock series

E执手锁系列
Handle lock series

F转舌锁系列
Cam lock series

G铰链系列
Hinge series

H搭扣锁系列
Toggle lock series

I门销系列
Door bolt series

J电子锁系列
Electronic lock series

K密封条系列
Gasketing series

L限位系列
Door stop series

M附件系列
Accessories series

N不锈钢件系列
Stainless steel series

索引
Index

A拉手系列
Handles series

B平面锁系列
Plane lock series

C连杆锁系列
Rod control series

D面板锁系列
Plane lock series

E执手锁系列
Handle lock series

F转舌锁系列
Cam lock series

G铰链系列
Hinge series

H搭扣锁系列
Toggle lock series

I门销系列
Door bolt series

J电子锁系列
Electronic lock series

K密封条系列
Gasketing series

L限位系列
Door stop series

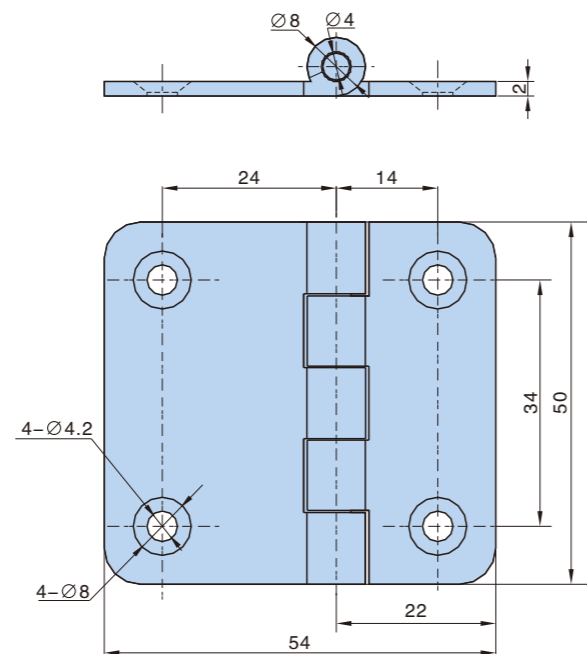
M附件系列
Accessories series

N不锈钢件系列
Stainless steel series

索引
Index

HL076

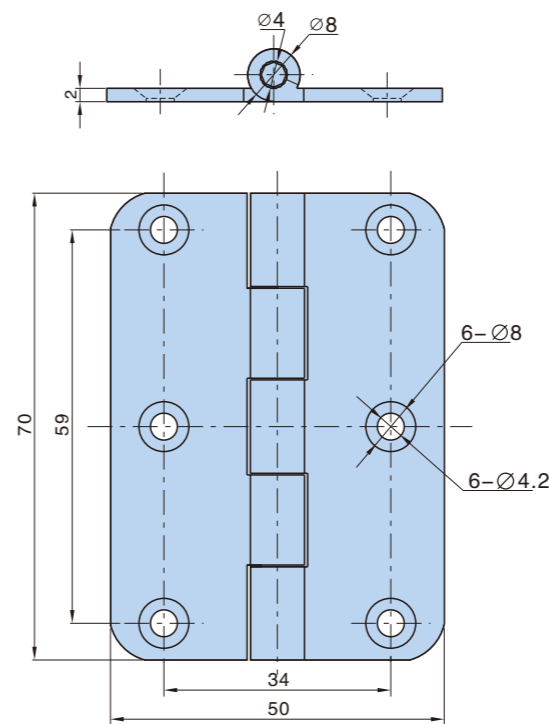
平面安装外露式铰链 Flat Mounting Exposed Hinge



- 材质: 不锈钢铰链
- 表面处理: 拉丝
- 备注: 转动约为180°
- Material: stainless steel body
- Finish: drawing
- Remark: 180° hinge

型号 Product no.	产品单重(g) Weight	装箱数 Lot
HL076	52.5	400

平面安装外露式铰链 Flat Mounting Exposed Hinge

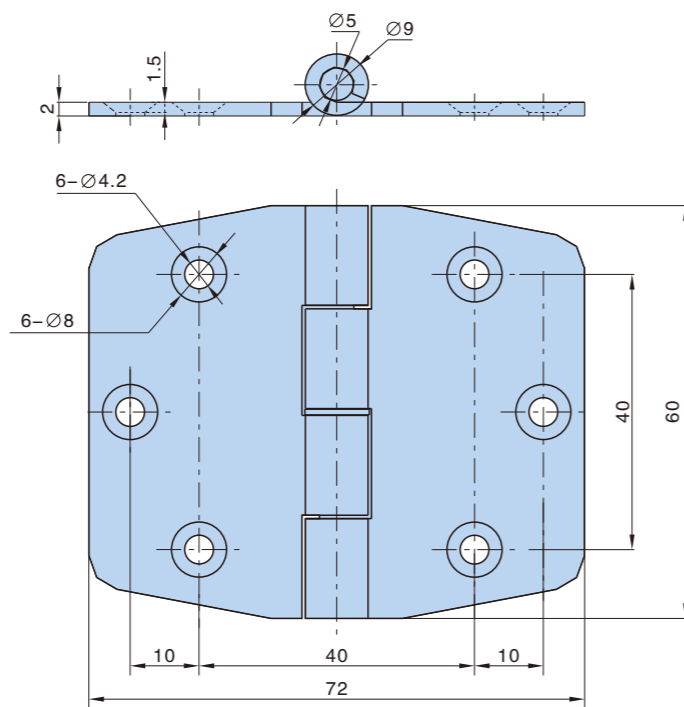


- 材质: 不锈钢铰链
- 表面处理: 拉丝
- 备注: 转动约为180°
- Material: stainless steel body
- Finish: drawing
- Remark: 180° hinge.

型号 Product no.	产品单重(g) Weight	装箱数 Lot
HL098	70.5	500

HL094

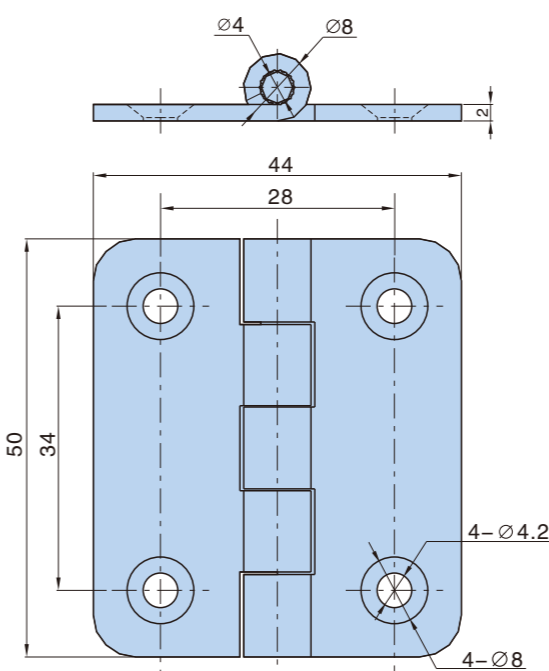
平面安装外露式铰链 Flat Mounting Exposed Hinge



- 材质: 不锈钢铰链
- 表面处理: 拉丝
- 备注: 转动约为180°
- Material: stainless steel body
- Finish: drawing
- Remark: 180° hinge.

型号 Product no.	产品单重(g) Weight	装箱数 Lot
HL094	83	500

平面安装外露式铰链 Flat Mounting Exposed Hinge

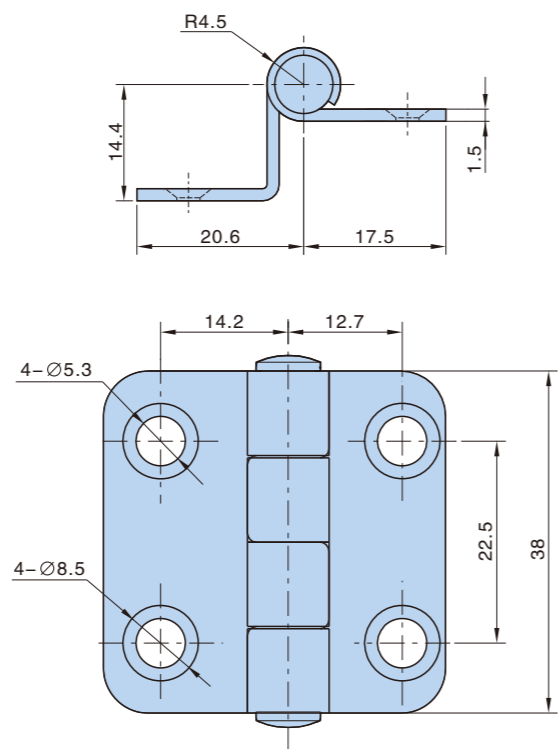


- 材质: 不锈钢铰链
- 备注: 转动约为180°
- 表面处理: 拉丝
- Material: stainless steel body
- Finish: drawing
- Remark: 180° hinge

型号 Product no.	产品单重(g) Weight	装箱数 Lot
HL099	46	500

HL038

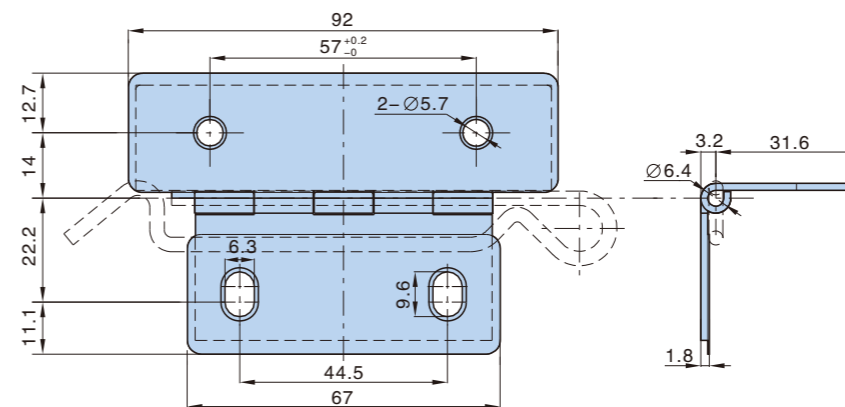
阶梯面安装外露式铰链 Stepped surface mounting exposed hinge



- 材质: 镜面不锈钢铰链, 不锈钢销子
- 表面处理: 拉丝
- Material: Mirror surface stainless steel body, stainless steel pin
- Finish: drawing

型号 Product no.	产品单重(g) Weight	装箱数 Lot
HL038	35.5	500

阶梯面安装外露式铰链 Stepped surface mounting exposed hinge



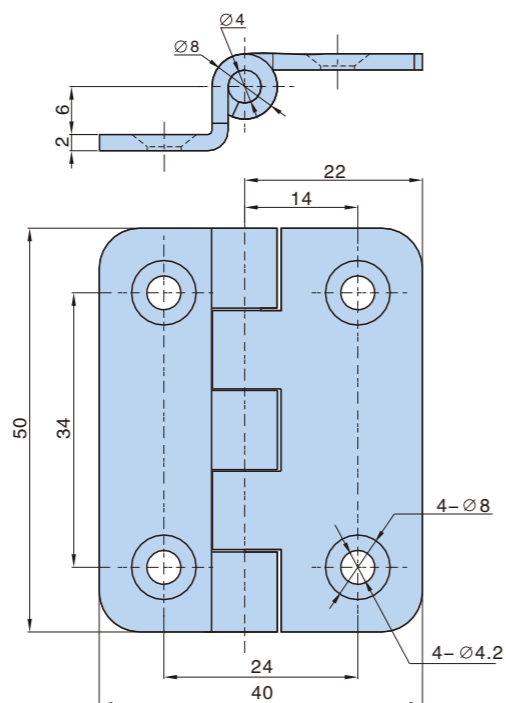
型号 Product no.	产品单重(g) Weight	装箱数 Lot
HL101	92	200



- 材质: 不锈钢铰链
- 表面处理: 拉丝
- 备注: 转动约为180°
- Material: stainless steel body
- Finish: drawing
- Remark: 180° hinge.

HL074

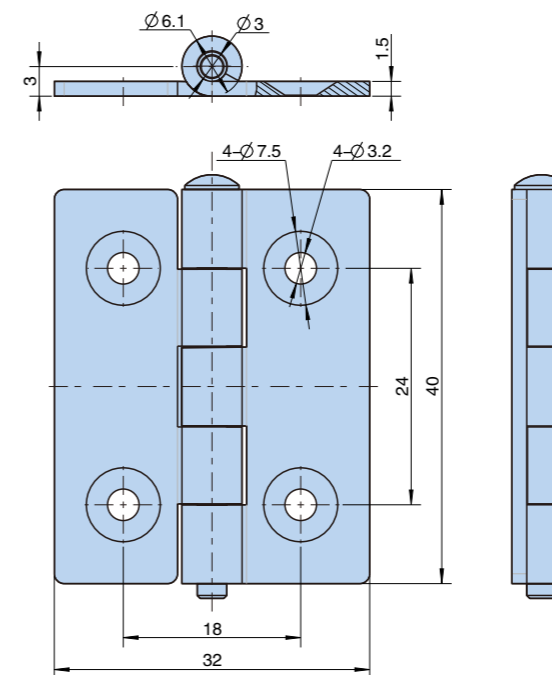
阶梯面安装外露式铰链 Stepped surface mounting exposed hinge



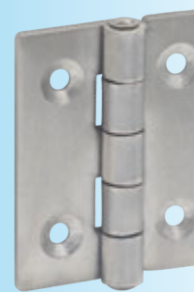
- 材质: 不锈钢铰链
- 表面处理: 拉丝
- 备注: 转动约为180°
- Material: stainless steel body
- Finish: drawing
- Remark: 180° hinge

型号 Product no.	产品单重(g) Weight	装箱数 Lot
HL074	42	500

平面安装外露式铰链 Flat Mounting Exposed Hinge



型号 Product no.	产品单重(g) Weight	装箱数 Lot
HL153S	20	500



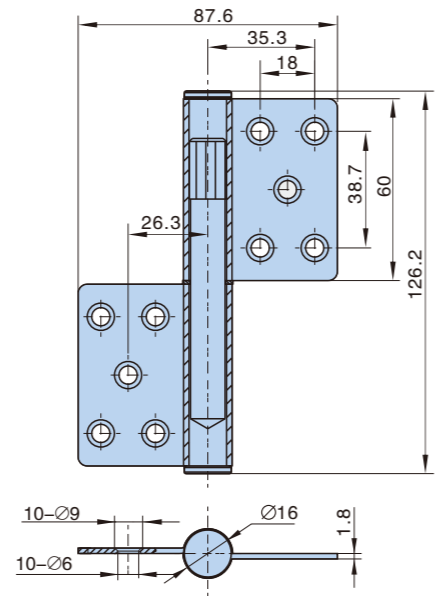
- 材质: 不锈钢动、静铰链, 不锈钢销子
- 表面处理: 拉丝
- 备注: 旋转约180°
- Material: stainless steel hinge, stainless steel pin
- Remark: 180° hinge
- Finish: wire drawing

HL069-1

可拆卸式外露铰链 Lift-Off Hinges

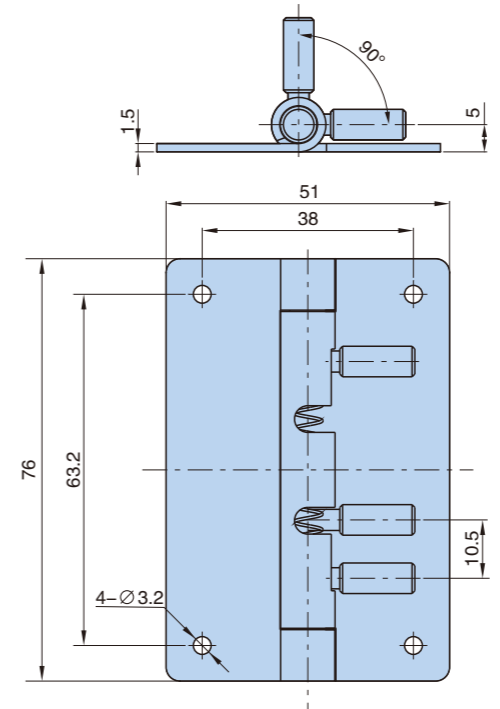


- 材质: 全不锈钢铰链
- 表面处理: 拉丝
- 备注: 转动约180°
- Material: Stainless steel hinge
- Finish: drawing
- Remark: 180° hinge



型号 Product no.	产品单重(g) Weight	装箱数 Lot
HL069	217	100

可拆卸式外露铰链 Lift-Off Hinges



型号 Product no.	产品单重(g) Weight	装箱数 Lot
HL120	73.5	200

HL120



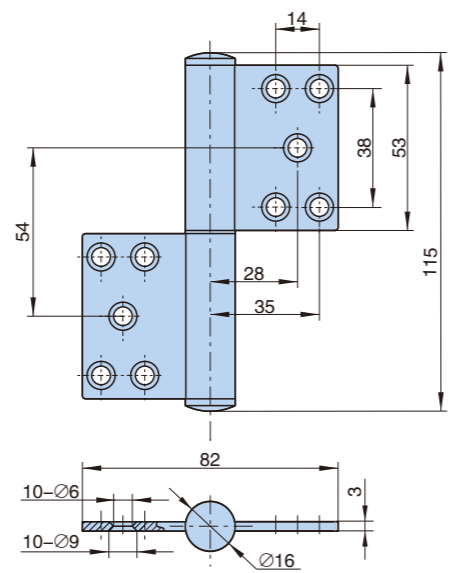
- 材质: 不锈钢动、静铰链, 不锈钢销子
- 表面处理: 拉丝
- 备注: 旋转约180°
- Material: stainless steel hinge, stainless steel pin
- Remark: 180° hinge
- Finish: wire drawing

HL069-2

可拆卸式外露铰链 Lift-Off Hinges

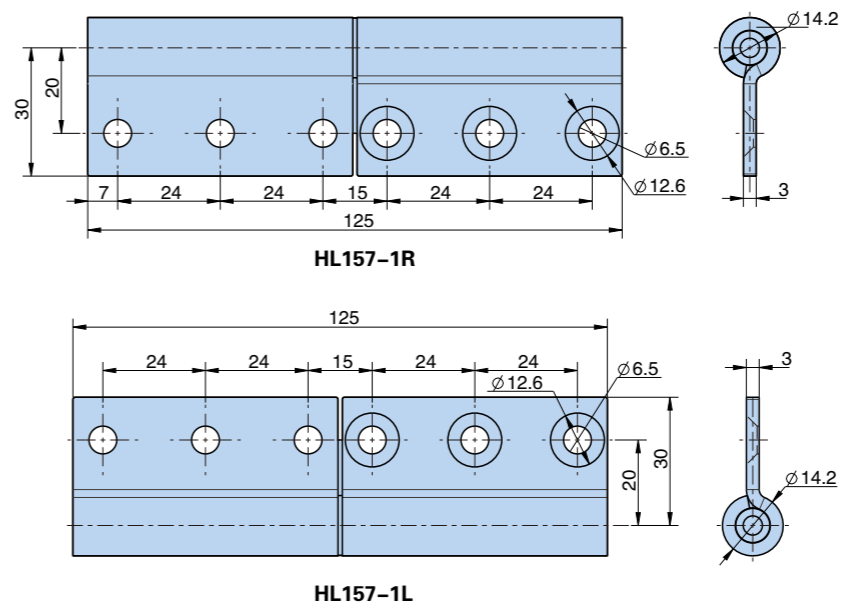


- 材质: 全不锈钢铰链
- 表面处理: 拉丝
- 备注: 转动约180°
- Material: Stainless steel hinge
- Finish: drawing
- Remark: 180° hinge



型号 Product no.	产品单重(g) Weight	装箱数 Lot
HL069-2	217	100

可拆卸式外露铰链 Lift-Off Hinges



型号 Product no.	产品单重(g) Weight	装箱数 Lot
HL157-1R	196	100
HL157-1L	196	100

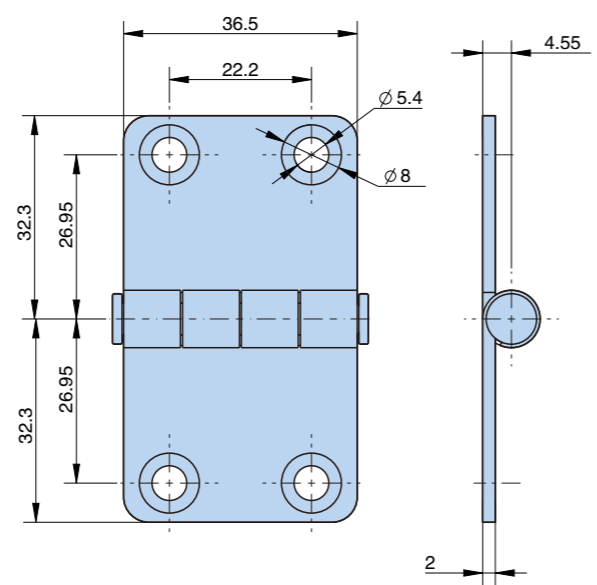
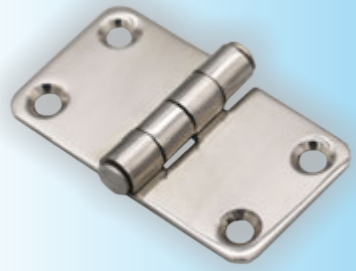
HL157-1



- 材质: 全不锈钢铰链
- 表面处理: 拉丝
- 备注: 转动约180°
- Material: Stainless steel hinge
- Finish: drawing
- Remark: 180° hinge

HL173S-1

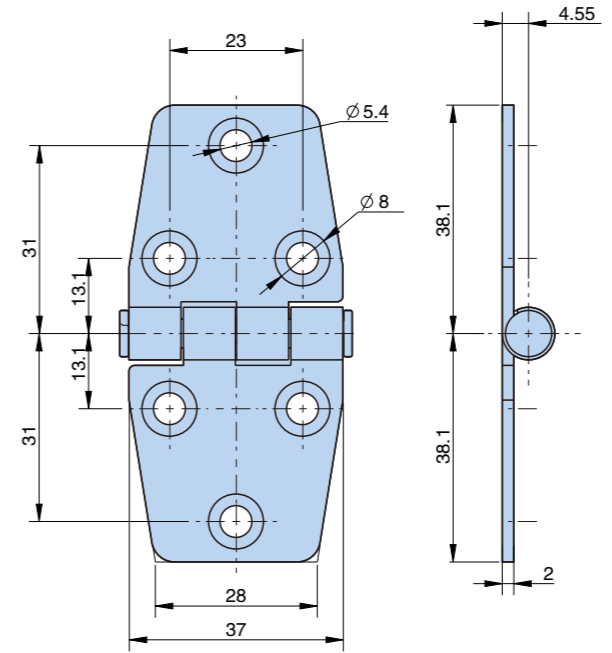
平面安装外露式铰链 Flat Mounting Exposed Hinge



- 材质: 不锈钢铰链
- 表面处理: 镜面抛光
- 备注: 旋转约270°
- Material: Stainless steel hinge
- Finish: Mirror polished or brushed
- Remark: 270° hinge

型号 Product no.	产品单重(g) Weight	装箱数 Lot
HL173S-1		

平面安装外露式铰链 Flat Mounting Exposed Hinge

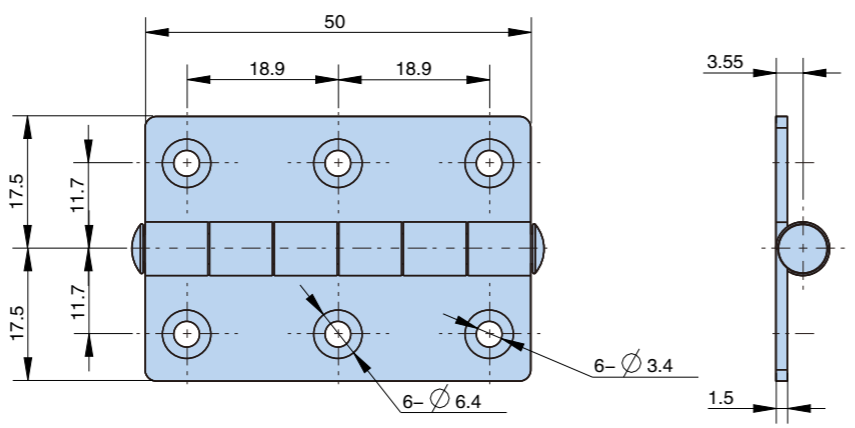


- 材质: 不锈钢铰链
- 表面处理: 镜面抛光
- 备注: 旋转约270°
- Material: Stainless steel hinge
- Finish: Mirror polished or brushed
- Remark: 270° hinge

型号 Product no.	产品单重(g) Weight	装箱数 Lot
HL175S-1		

HL174S-1

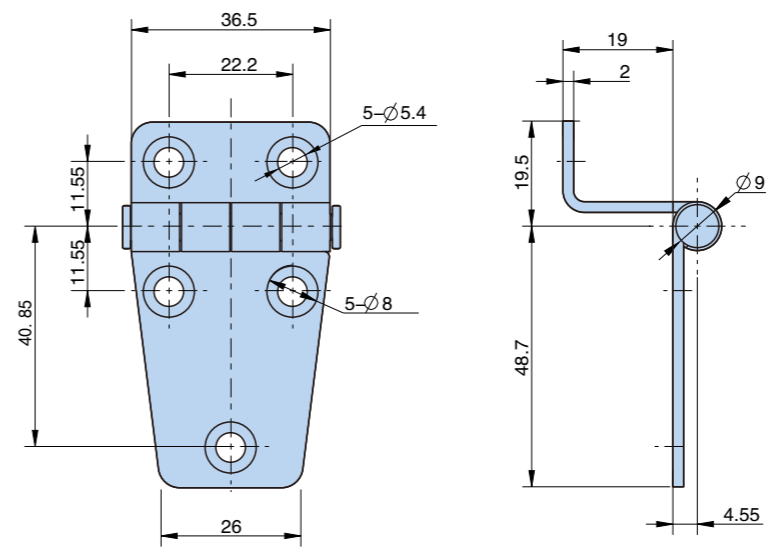
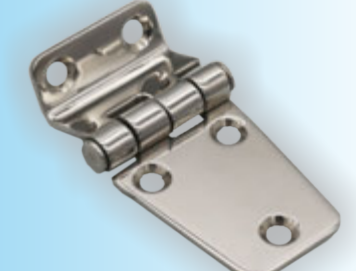
平面安装外露式铰链 Flat Mounting Exposed Hinge



- 材质: 不锈钢铰链
- 表面处理: 镜面抛光
- 备注: 旋转约270°
- Material: Stainless steel hinge
- Finish: Mirror polished or brushed
- Remark: 270° hinge

型号 Product no.	产品单重(g) Weight	装箱数 Lot
HL174S-1		

平面安装外露式铰链 Flat Mounting Exposed Hinge

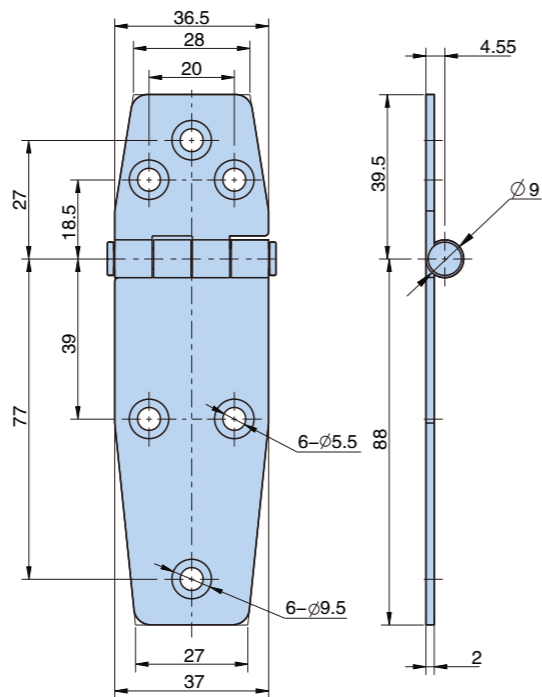


- 材质: 不锈钢铰链
- 表面处理: 镜面抛光
- 备注: 旋转约270°
- Material: Stainless steel hinge
- Finish: Mirror polished or brushed
- Remark: 270° hinge

型号 Product no.	产品单重(g) Weight	装箱数 Lot
HL176S-1		

HL177S-1

平面安装外露式铰链 Flat Mounting Exposed Hinge

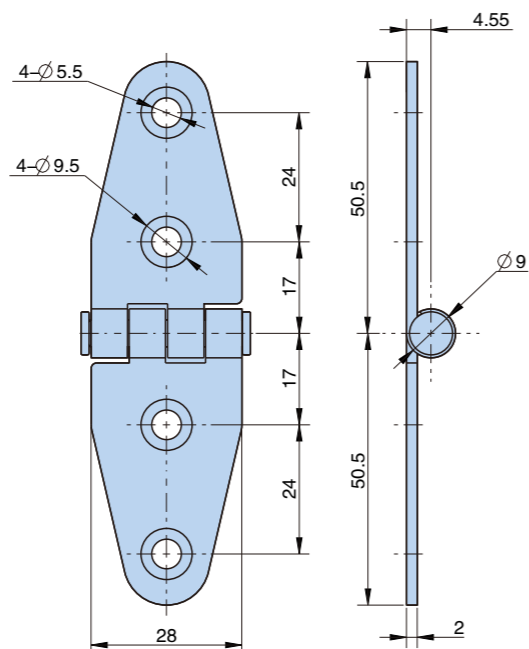


- 材质: 不锈钢铰链
- 表面处理: 镜面抛光
- 备注: 旋转约270°
- Material: Stainless steel hinge
- Finish: Mirror polished or brushed
- Remark: 270° hinge

型号 Product no.	产品单重(g) Weight	装箱数 Lot
HL177S-1		

HL178S-1

平面安装外露式铰链 Flat Mounting Exposed Hinge

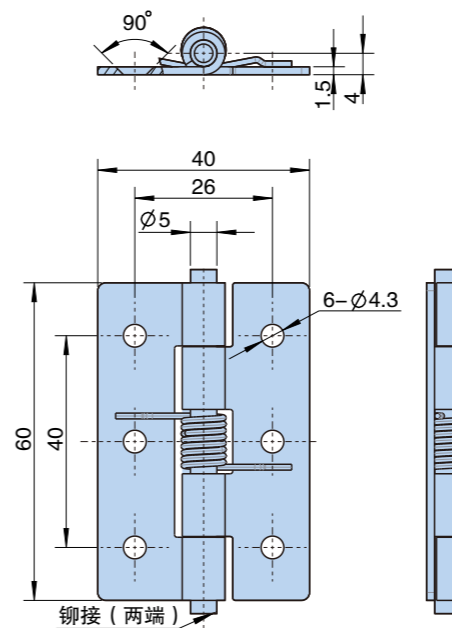


可定制产品
Customizable products

- 材质: 不锈钢铰链
- 表面处理: 镜面抛光
- 备注: 旋转约270°
- Material: Stainless steel hinge
- Finish: Mirror polished or brushed
- Remark: 270° hinge

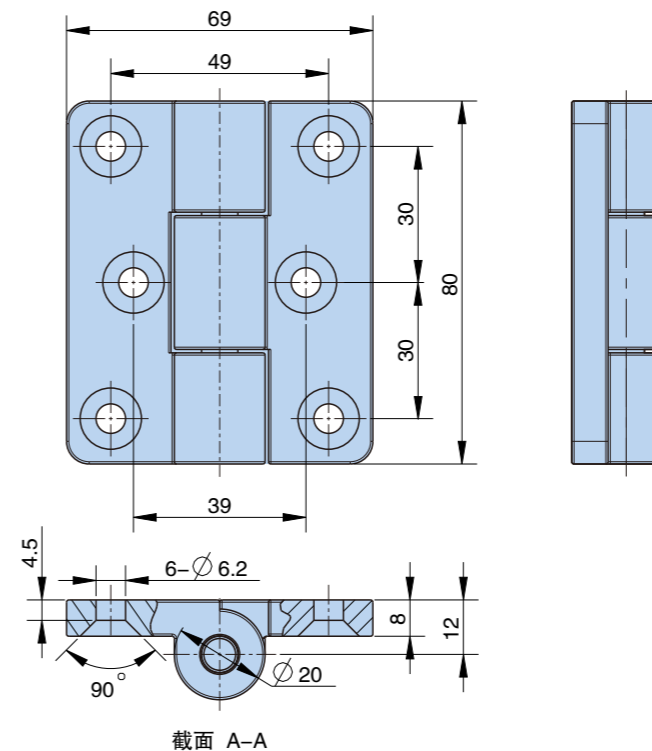
型号 Product no.	产品单重(g) Weight	装箱数 Lot
HL178S-1		

平面安装外露式铰链 Flat Mounting Exposed Hinge



型号 Product no.	产品单重(g) Weight	装箱数 Lot
HL179S-1		

平面安装外露式铰链 Flat Mounting Exposed Hinge



型号 Product no.	产品单重(g) Weight	装箱数 Lot
HL181S-1		

HL179S-1



可定制产品
Customizable products

- 材质: 不锈钢动、静铰链, 不锈钢销子
- 表面处理: 拉丝
- 备注: 旋转约180°
- Material: stainless hinge, stainless steel pin
- Finish: drawing
- Remark: 180° hinge

HL181S-1

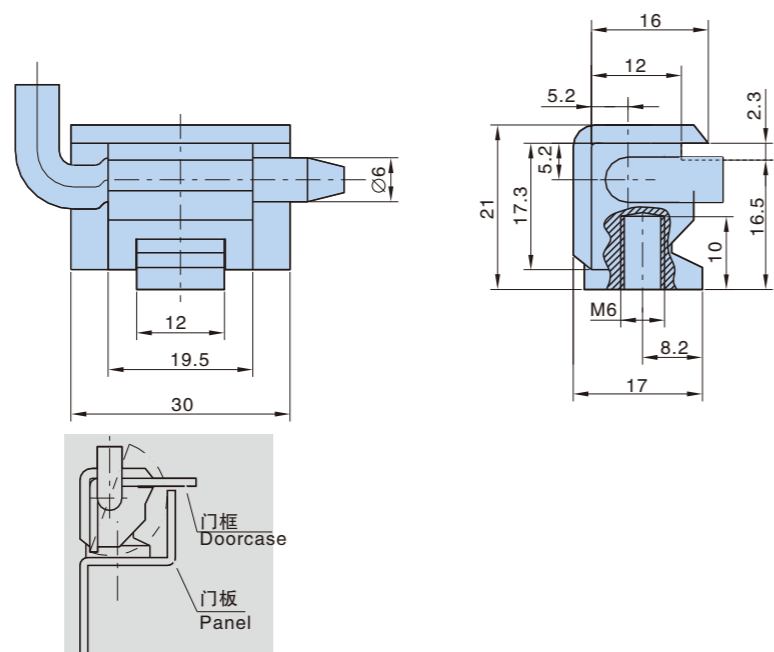


可定制产品
Customizable products

- 材质: 不锈钢动、静铰链, 不锈钢销子
- 表面处理: 拉丝
- 备注: 旋转约180°
- Material: stainless hinge, stainless steel pin
- Finish: drawing
- Remark: 180° hinge

HL003-2S

侧面安装外露式铰链 Side prominent Hinge



- 材质: 不锈钢铰链
- 表面处理: 拉丝
- 备注: 旋转约180°
- Material: Stainless steel hinge
- Finish: drawing
- Remark: 180° hinge

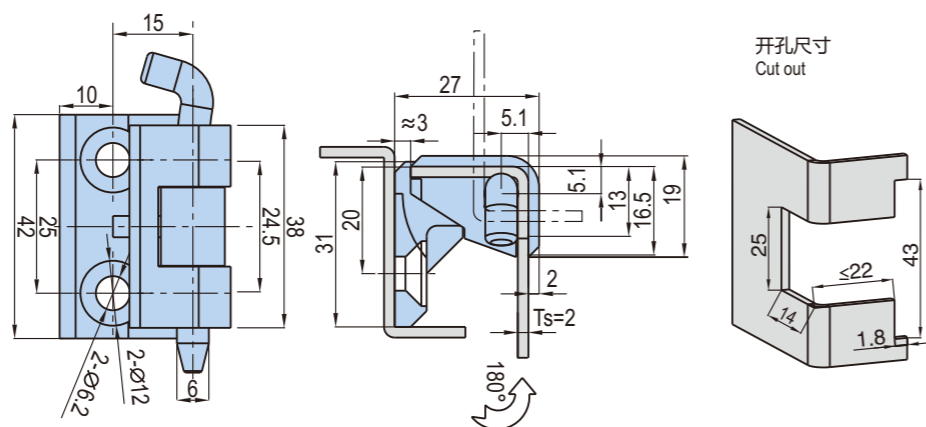
型号 Product no.	产品单重(g) Weight	装箱数 Lot
HL003-2S	50	400

HL004S-2

侧面安装外露式铰链 Side prominent Hinge



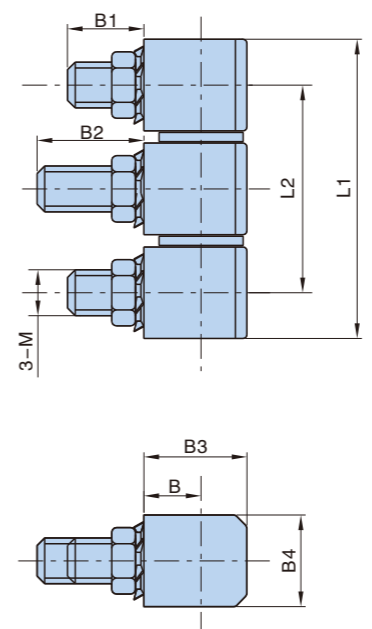
可定制产品
Customizable products



- 材质: 不锈钢动、静铰链, 不锈钢销子
- 表面处理: 拉丝
- 备注: 旋转约180°
- Material: stainless hinge, stainless steel pin
- Finish: drawing
- Remark: 180° hinge

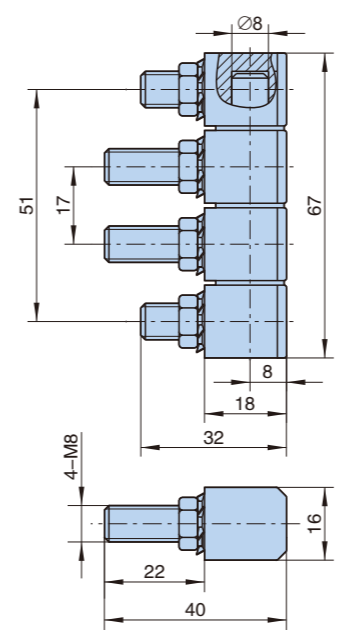
型号 Product no.	产品单重(g) Weight	装箱数 Lot
HL004S-2		

侧面安装外露式铰链 Side prominent Hinge



产品型号及特性 Product Number	基本尺寸 Dimensions								产品单重(g) Weight	装箱数 Lot
	L1	L2	B	B1	B2	B3	B4	M		
HL103-1	49	33	10	14	22	18	16	8	135	200
HL103-2	39	27	7.5	10	14	13.5	12	6	120	200

侧面安装外露式铰链 Side prominent Hinge



型号 Product no.	产品单重(g) Weight	装箱数 Lot
HL103-1A	183	200

HL103-1



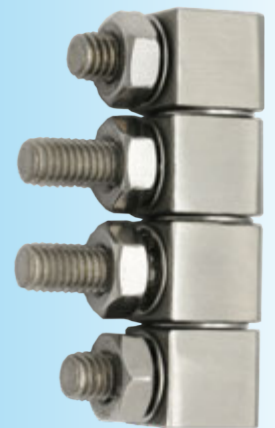
HL103-1



HL103-2

- 材质: 不锈钢
- 表面处理: 拉丝
- 备注: 转动约180°
- Material: Mirror surface stainless steel body
- Finish: drawing
- Remark: 180° hinge

HL103-1A



HL103-1A

- 材质: 不锈钢
- 表面处理: 拉丝
- 备注: 转动约180°
- Material: Mirror surface stainless steel body
- Finish: drawing
- Remark: 180° hinge

A拉手系列
Handles series

B平面锁系列
Plane lock series

C连杆锁系列
Rod control series

D面板锁系列
Plane lock series

E执手锁系列
Handle lock series

F转舌锁系列
Cam lock series

G铰链系列
Hinge series

H搭扣锁系列
Toggle lock series

I门销系列
Door bolt series

J电子锁系列
Electronic lock series

K密封条系列
Gasketing series

L限位系列
Door stop series

M附件系列
Accessories series

N不锈钢件系列
Stainless steel series

索引
Index

A拉手系列
Handles series

B平面锁系列
Plane lock series

C连杆锁系列
Rod control series

D面板锁系列
Plane lock series

E执手锁系列
Handle lock series

F转舌锁系列
Cam lock series

G铰链系列
Hinge series

H搭扣锁系列
Toggle lock series

I门销系列
Door bolt series

J电子锁系列
Electronic lock series

K密封条系列
Gasketing series

L限位系列
Door stop series

M附件系列
Accessories series

N不锈钢件系列
Stainless steel series

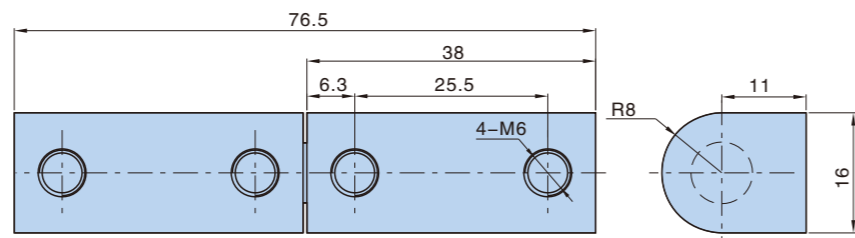
索引
Index

HL080

可拆卸式外露铰链 Detachable Exposed Hinge

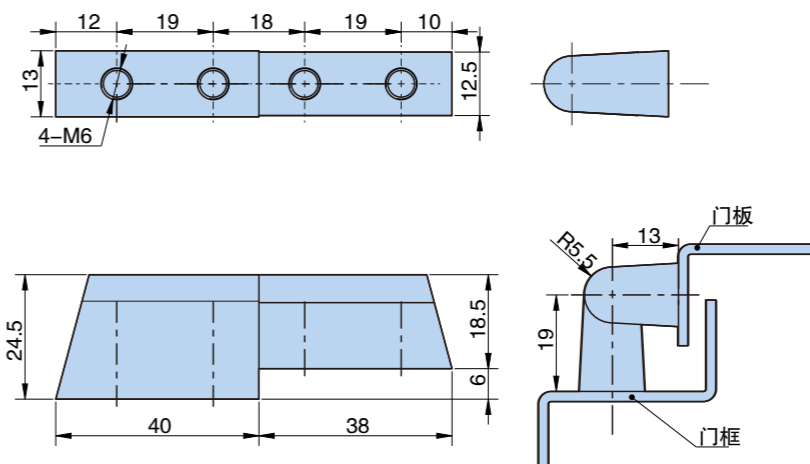


- 材质: 全不锈钢铰链
- 表面处理: 拉丝
- 备注: 转动约为180°
- Material: Stainless steel hinge
- Finish: drawing
- Remark: 180° hinge



型号 Product no.	产品单重(g) Weight	装箱数 Lot
HL080	150	500

可拆卸式外露铰链 Detachable Exposed Hinge



型号 Product no.	产品单重(g) Weight	装箱数 Lot
HL170S-1		

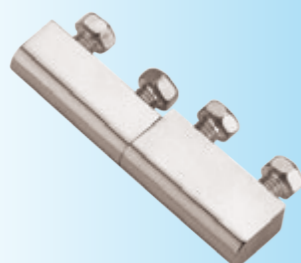
HL170S-1



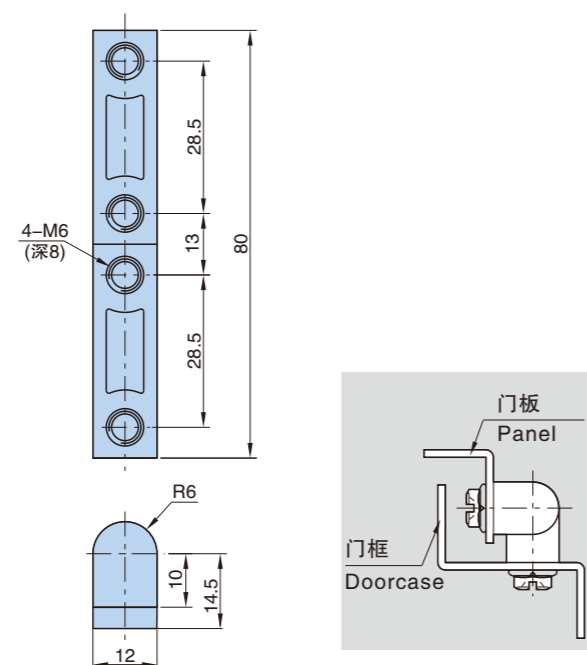
- 材质: 不锈钢动、静铰链, 不锈钢销子
- 表面处理: 拉丝
- 备注: 旋转约180°
- Material: stainless hinge, stainless steel pin
- Finish: drawing
- Remark: 180° hinge

HL030-2S

可拆卸式外露铰链 Detachable Exposed Hinge

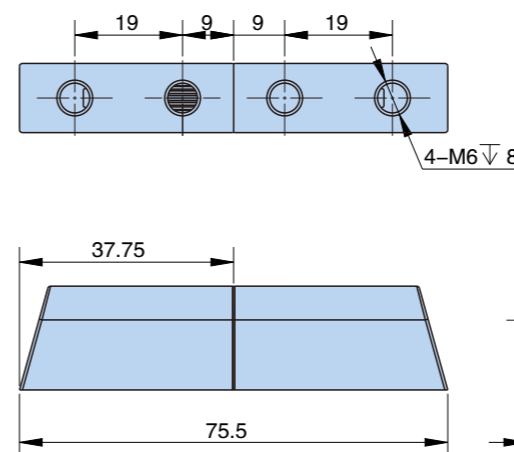


- 材质: 全不锈钢铰链
- 表面处理: 拉丝
- 备注: 转动约为180°
- Material: Stainless steel hinge
- Finish: drawing
- Remark: 180° hinge



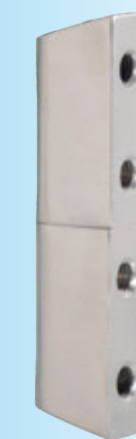
型号 Product no.	产品单重(g) Weight	装箱数 Lot
HL030-2S(不锈钢)		200

可拆卸式外露铰链 Detachable Exposed Hinge



型号 Product no.	产品单重(g) Weight	装箱数 Lot
HL170S-2		00

HL170S-2



- 材质: 不锈钢动、静铰链, 不锈钢销子
- 表面处理: 拉丝
- 备注: 旋转约180°
- Material: stainless hinge, stainless steel pin
- Finish: drawing
- Remark: 180° hinge

A拉手系列
Handles series

B平面锁系列
Plane lock series

C连杆锁系列
Rod control series

D面板锁系列
Plane lock series

E执手锁系列
Handle lock series

F转舌锁系列
Cam lock series

G铰链系列
Hinge series

H搭扣锁系列
Toggle lock series

I门销系列
Door bolt series

J电子锁系列
Electronic lock series

K密封条系列
Gasketing series

L限位系列
Door stop series

M附件系列
Accessories series

N不锈钢件系列
Stainless steel series

索引
Index

A拉手系列
Handles series

B平面锁系列
Plane lock series

C连杆锁系列
Rod control series

D面板锁系列
Plane lock series

E执手锁系列
Handle lock series

F转舌锁系列
Cam lock series

G铰链系列
Hinge series

H搭扣锁系列
Toggle lock series

I门销系列
Door bolt series

J电子锁系列
Electronic lock series

K密封条系列
Gasketing series

L限位系列
Door stop series

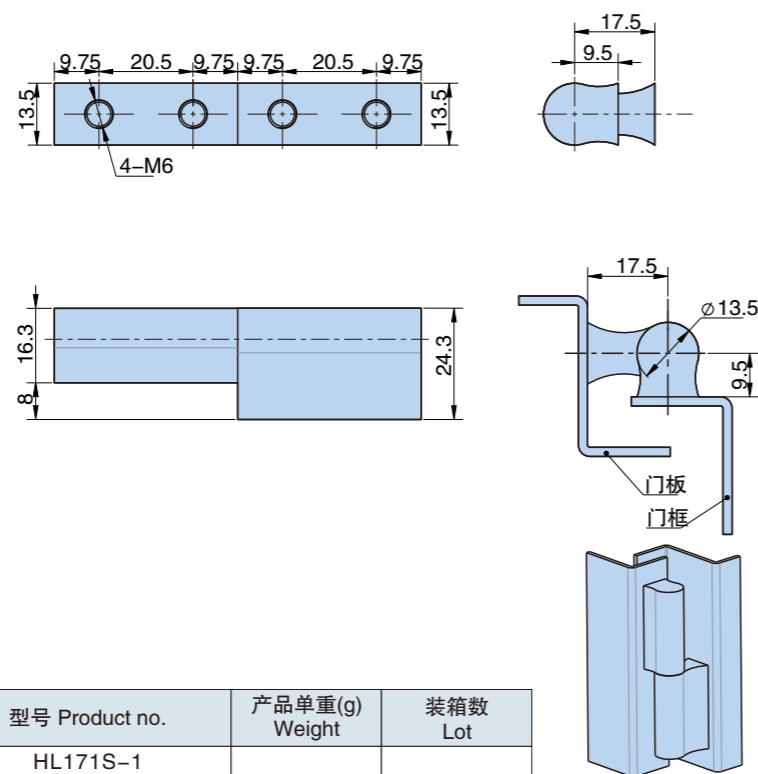
M附件系列
Accessories series

N不锈钢件系列
Stainless steel series

索引
Index

HL171S-1

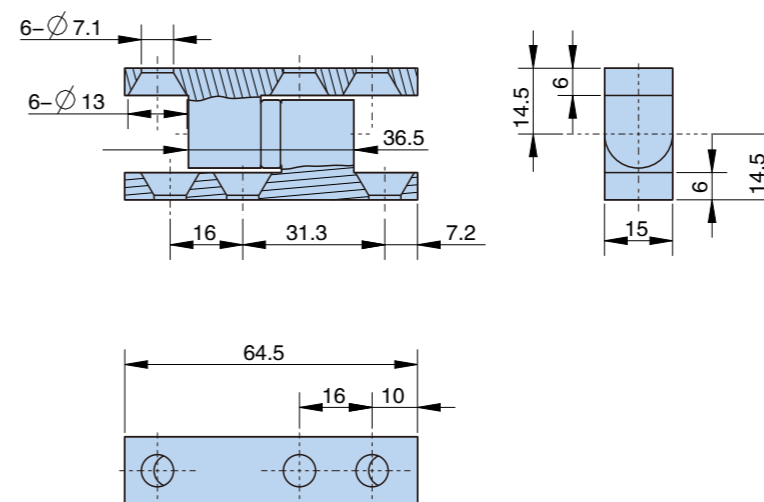
可拆卸式外露铰链 Detachable Exposed Hinge



- 材质: 不锈钢铰链
- 表面处理: 镜面抛光
- 备注: 旋转约270°
- Material: Stainless steel hinge
- Finish: Mirror polished or brushed
- Remark: 270° hinge

型号 Product no.	产品单重(g) Weight	装箱数 Lot
HL171S-1		

可拆卸式外露铰链 Detachable Exposed Hinge



型号 Product no.	产品单重(g) Weight	装箱数 Lot
HL182S-1		

HL182S-1

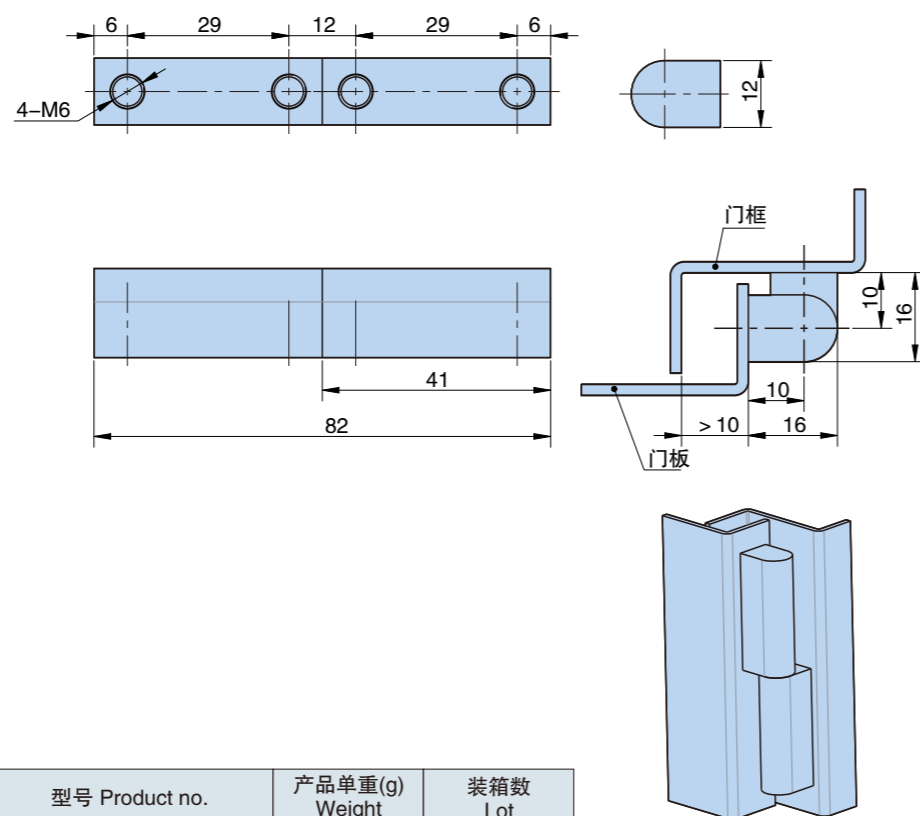


可定制产品
Customizable products

- 材质: 不锈钢动、静铰链, 不锈钢销子
- 表面处理: 拉丝
- 备注: 旋转约180°
- Material: stainless hinge, stainless steel pin
- Finish: drawing
- Remark: 180° hinge

HL172S-1

可拆卸式外露铰链 Detachable Exposed Hinge

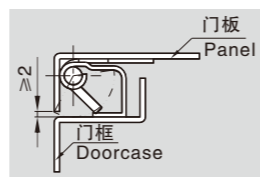
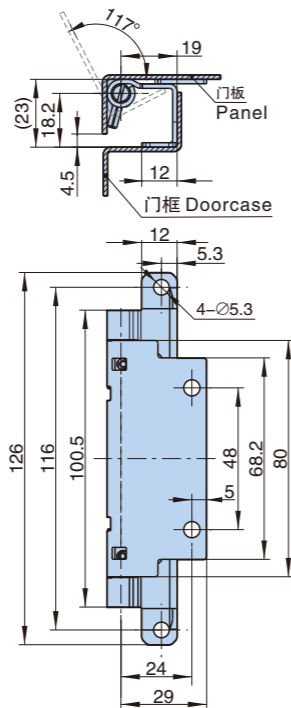


- 材质: 不锈钢铰链
- 表面处理: 镜面抛光
- 备注: 旋转约270°
- Material: Stainless steel hinge
- Finish: Mirror polished or brushed
- Remark: 270° hinge

型号 Product no.	产品单重(g) Weight	装箱数 Lot
HL172S-1		

HL034-1

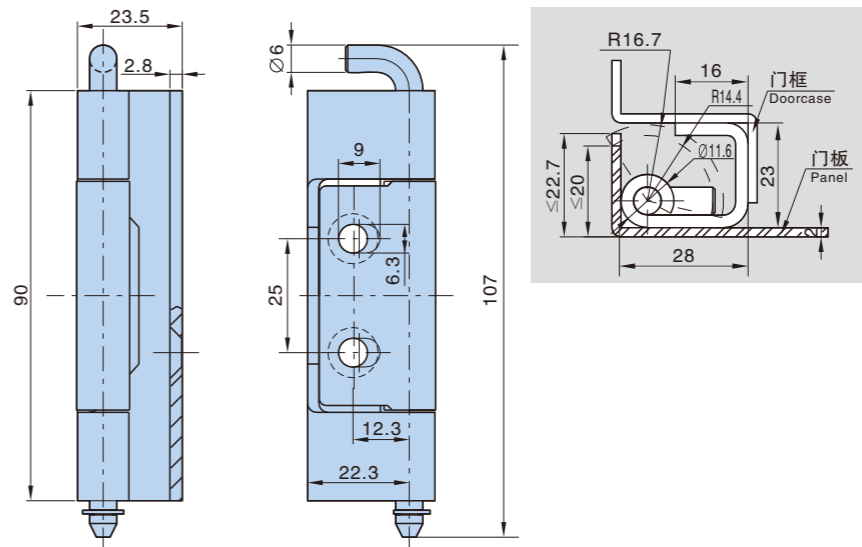
隐藏式铰链 Concealed Hinge



- 材质:分镜面不锈钢铰链,A3钢铰链
- 备注: 转动约为120°
- Material:Mirror surface stainless steel body.
- Remark:120° hinge

型号 Product no.	产品单重(g) Weight	装箱数 Lot
HL034-1	110.8	200

隐藏式铰链 Concealed Hinge



型号 Product no.	产品单重(g) Weight	装箱数 Lot
HL082S	154	200

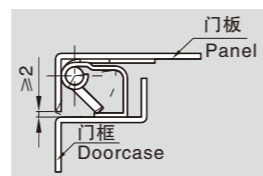
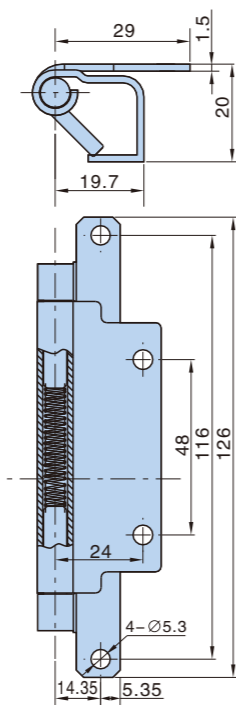
HL082S



- 材质:不锈钢铰链, A3钢铰链
- 表面处理: 拉丝
- 备注: 转动约为120°
- Material: Stainless steel are available
- Finish: drawing
- Remark:120° hinge

HL034-2

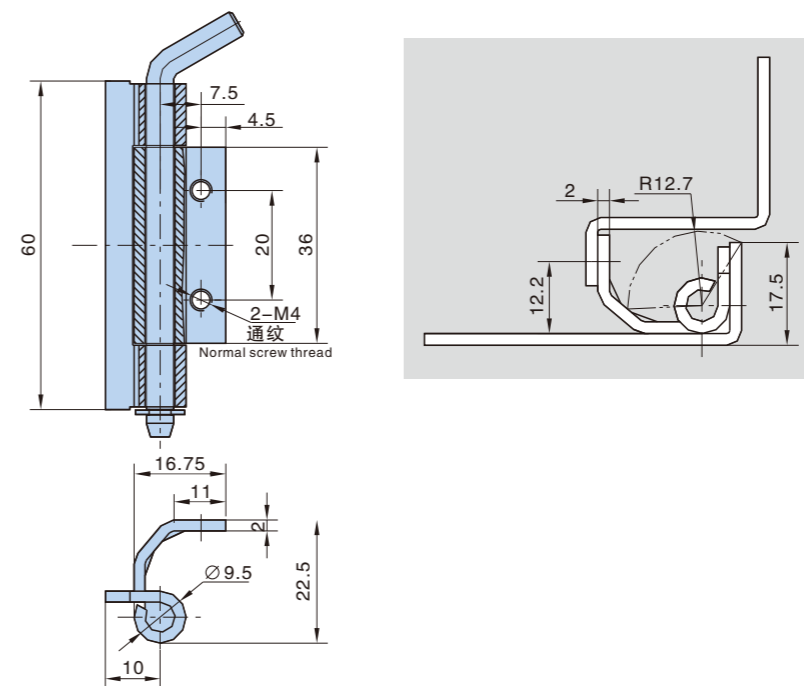
隐藏式铰链 Concealed Hinge



- 材质:分镜面不锈钢铰链,A3钢铰链
- 备注: 转动约为120°
- Material:Mirror surface stainless steel body.
- Remark:120° hinge

型号 Product no.	产品单重(g) Weight	装箱数 Lot
HL034-2	107	200

隐藏式铰链 Concealed Hinge



产品型号及特性 Product Number	产品单重(g) Weight	装箱数 Lot
不锈钢 Stainless steel	HL092S	65
		500

HL092S



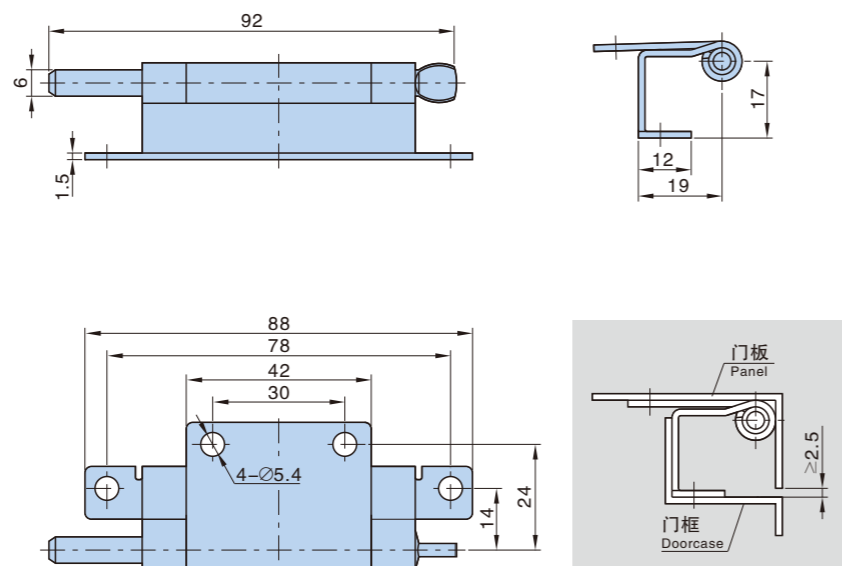
- 材质: 镀锌钢板或不锈钢铰链; 镀镍钢销子或不锈钢
- 备注: 转动约为120°
- Material:Zinc plating steel and Stainless steel are available
- Remark:120° hinge

HL109

隐藏式铰链 Concealed Hinge



- 材质: 全不锈钢铰链
- 表面处理: 拉丝
- Material: Stainless steel hinge
- Finish: drawing



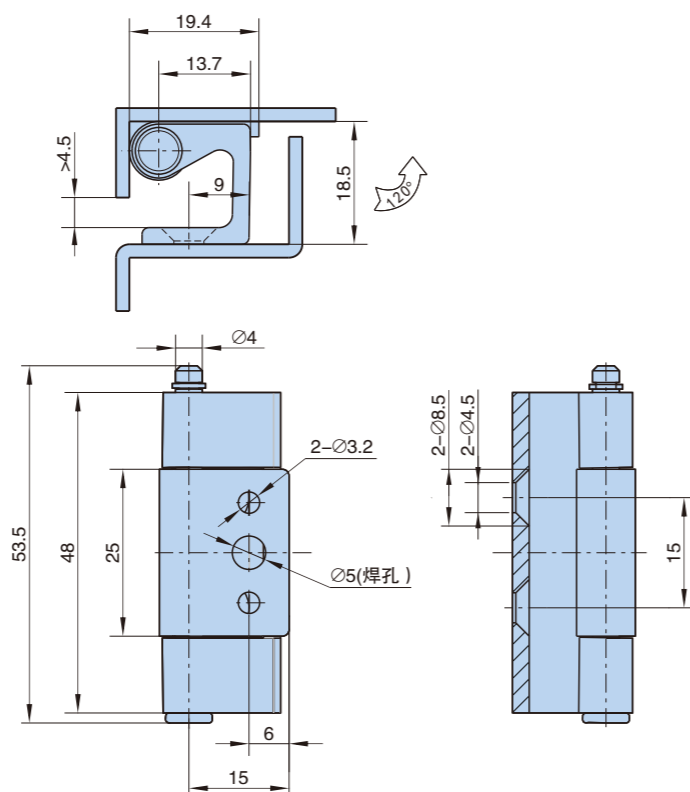
型号 Product no.	产品单重(g) Weight	装箱数 Lot
HL109	78	200

HL129-1

隐藏式铰链 Concealed Hinge



- 材质: 不锈钢铰链
- 表面处理: 喷(7032)色
- 备注: 旋转约120°
- Material: Stainless steel hing
- Finish: Spray (7032) color
- Remark: 120° hinge

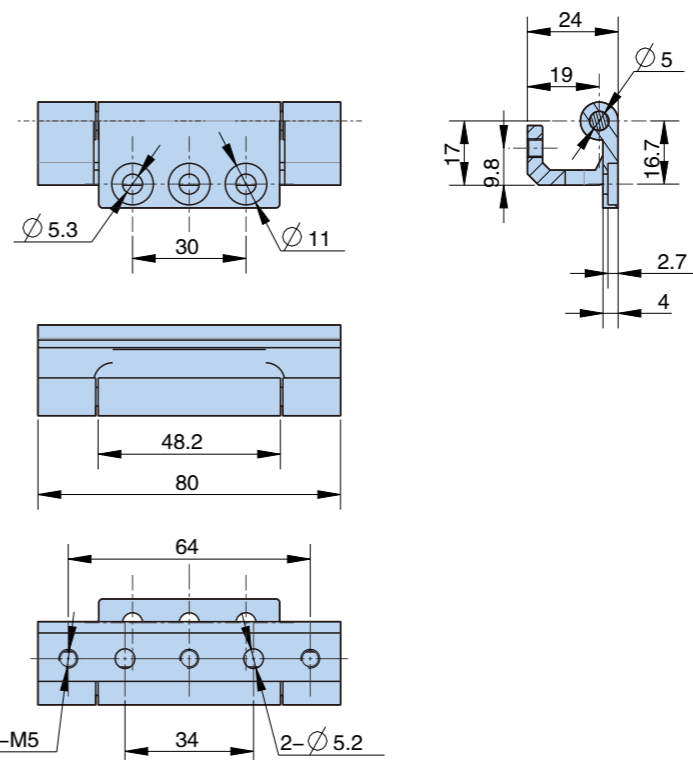


型号 Product no.	产品单重(g) Weight	装箱数 Lot
HL129-1	60	400

N061

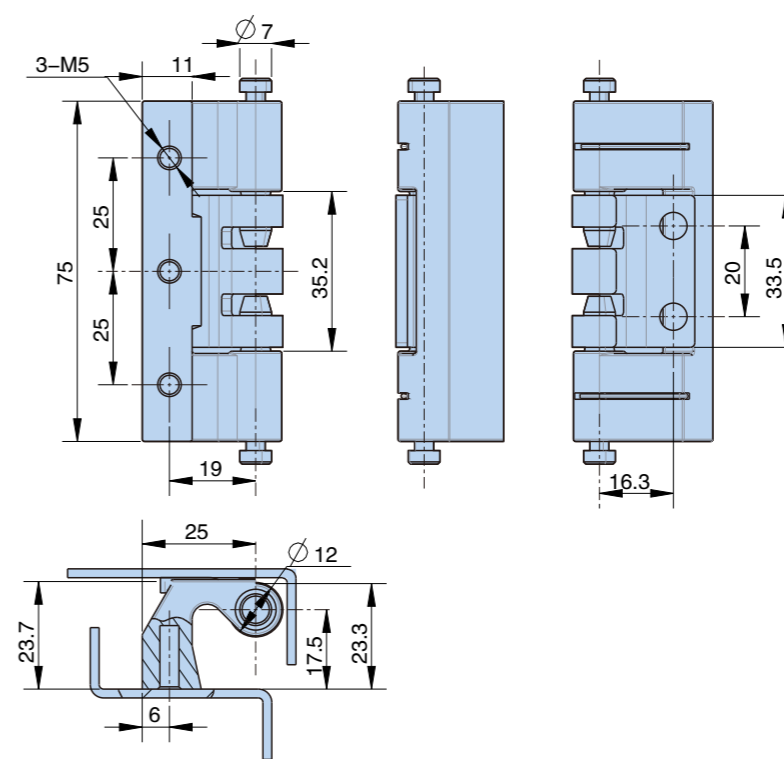
恒珠柜锁 电话(TEL):0795-2119999, 3256555 E-mail: admin@hengzhu.com

隐藏式铰链 Concealed Hinge



型号 Product no.	产品单重(g) Weight	装箱数 Lot
HL183S-1		

隐藏式铰链 Concealed Hinge



型号 Product no.	产品单重(g) Weight	装箱数 Lot
HL011S-1		

恒珠柜锁 电话(TEL):0795-2119999, 3256555 E-mail: admin@hengzhu.com

HL183S-1



可定制产品 Customizable products

- 材质: 不锈钢、静铰链, 不锈钢销子
- 表面处理: 拉丝
- 备注: 旋转约180°
- Material: stainless hinge, stainless steel pin
- Finish: drawing
- Remark: 180° hinge

HL011S-1



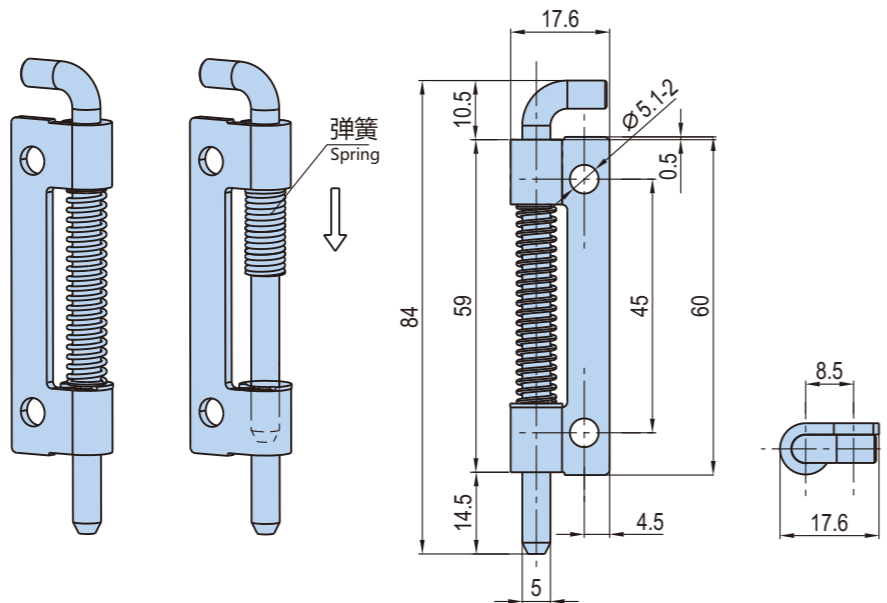
可定制产品 Customizable products

- 材质: 不锈钢、静铰链, 不锈钢销子
- 表面处理: 拉丝
- 备注: 旋转约180°
- Material: stainless hinge, stainless steel pin
- Finish: drawing
- Remark: 180° hinge

N062

HL035S

隐藏式铰链 Concealed Hinge



小型
Small size



可定制产品
Customizable products

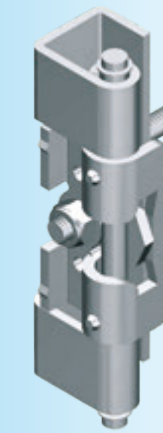
- 材质：不锈钢铰链，不锈钢销子
- 表面处理：拉丝
- Stainless steel hinge, stainless steel pin
- Finish: drawing

镀锌钢
M.S. zinc plated
材质可做全不锈钢
SUS material upon request

	螺丝固定型 Screw on version	
	左装Left	右装Right
大型Large size	HL035S-3L	HL035S-3R
小型Small size	HL035S-4L	HL035S-4R

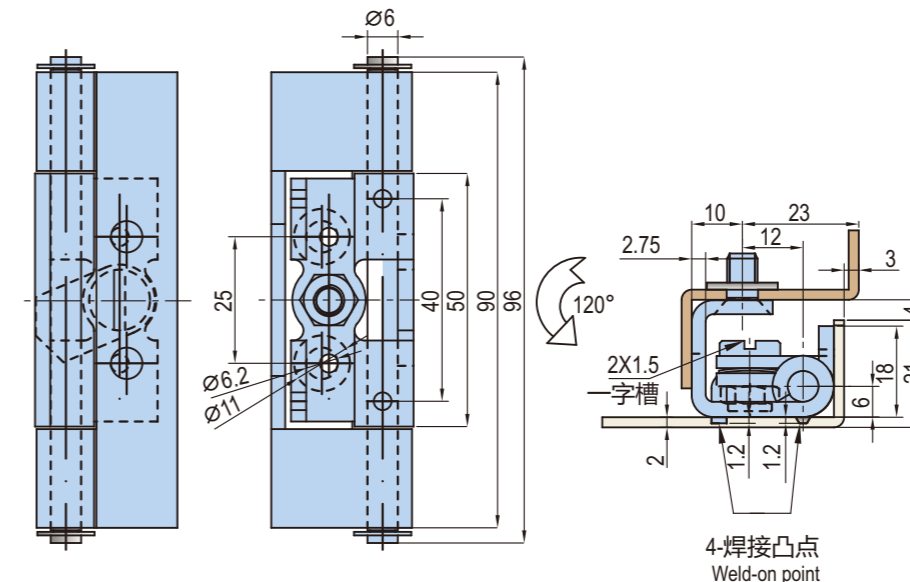
隐藏式铰链 Concealed Hinge

HL185S-1



可定制产品
Customizable products

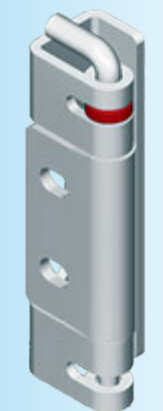
- 材质：不锈钢动、静铰链，不锈钢销子
- 表面处理：拉丝
- 备注：旋转约120°
- Material: stainless hinge, stainless steel pin
- Finish: drawing
- Remark: 120° hinge



型号 Product no.	产品单重(g) Weight	装箱数 Lot
HL185S-1		

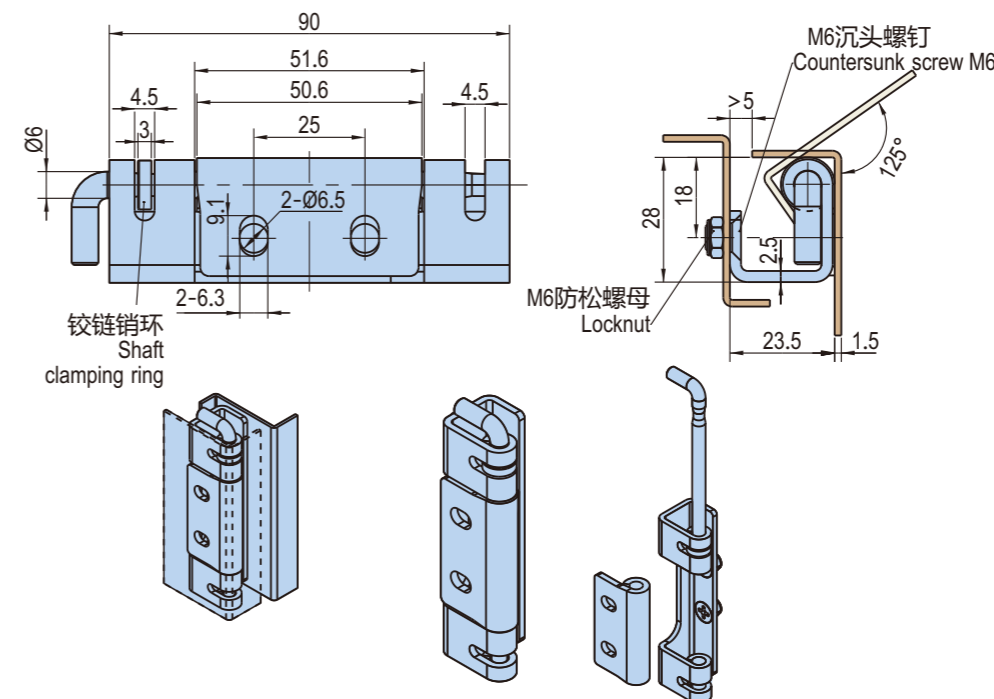
隐藏式铰链 Concealed Hinge

HL186S-1



可定制产品
Customizable products

- 材质：不锈钢动、静铰链，不锈钢销子
- 表面处理：拉丝
- 备注：旋转约125°
- Material: stainless hinge, stainless steel pin
- Finish: drawing
- Remark: 125° hinge



型号 Product no.	产品单重(g) Weight	装箱数 Lot
HL186S-1		

A拉手系列 Handles series

B平面锁系列 Plane lock series

C连杆锁系列 Rod control series

D面板锁系列 Plane lock series

E执手锁系列 Handle lock series

F转舌锁系列 Cam lock series

G铰链系列 Hinge series

H搭扣锁系列 Toggle lock series

I门销系列 Door bolt series

J电子锁系列 Electronic lock series

K密封条系列 Gasketing series

L限位系列 Door stop series

M附件系列 Accessories series

N不锈钢件系列 Stainless steel series

索引 Index

A拉手系列 Handles series

B平面锁系列 Plane lock series

C连杆锁系列 Rod control series

D面板锁系列 Plane lock series

E执手锁系列 Handle lock series

F转舌锁系列 Cam lock series

G铰链系列 Hinge series

H搭扣锁系列 Toggle lock series

I门销系列 Door bolt series

J电子锁系列 Electronic lock series

K密封条系列 Gasketing series

L限位系列 Door stop series

M附件系列 Accessories series

N不锈钢件系列 Stainless steel series

索引 Index

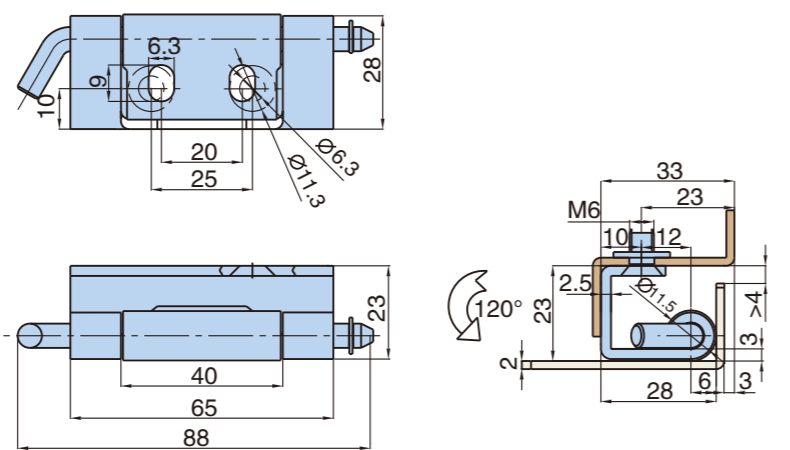
HL187S-1

隐藏式铰链 Concealed Hinge



可定制产品 Customizable products

- 材质: 不锈钢动、静铰链, 不锈钢销子
- 表面处理: 拉丝
- 备注: 旋转约120°
- Material: stainless hinge, stainless steel pin
- Finish: drawing
- Remark: 120° hinge



型号 Product no.	产品单重(g) Weight	装箱数 Lot
HL187S-1		

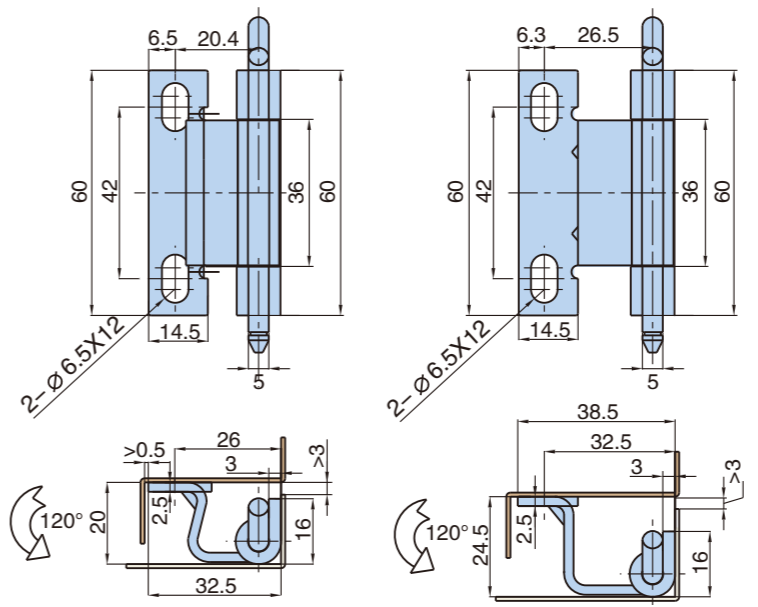
隐藏式铰链 Concealed Hinge

HL189S



可定制产品 Customizable products

- 材质: 不锈钢动、静铰链, 不锈钢销子
- 表面处理: 拉丝
- 备注: 旋转约120°
- Material: stainless hinge, stainless steel pin
- Finish: drawing
- Remark: 120° hinge



	型号 Product no.
(尺寸 20) (Dim 20)	HL189S-1
(尺寸 24.5) (Dim 24.5)	HL189S-2

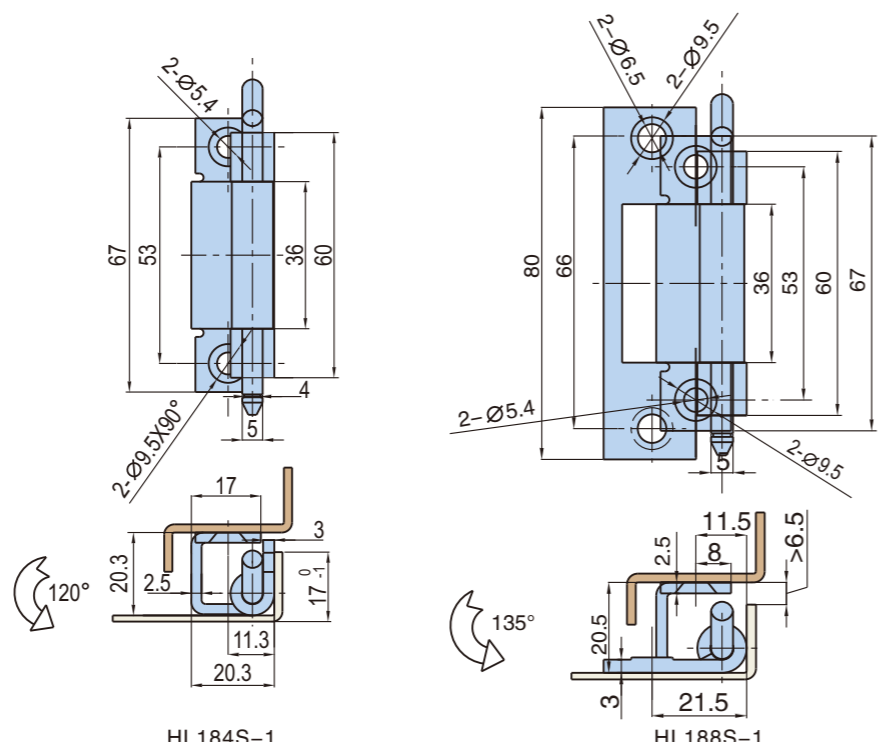
HL184S-1/HL188S-1

隐藏式铰链 Concealed Hinge



可定制产品 Customizable products

- 材质: 不锈钢动、静铰链, 不锈钢销子
- 表面处理: 拉丝
- 备注: 旋转约135°
- Material: stainless hinge, stainless steel pin
- Finish: drawing
- Remark: 135° hinge



	型号 Product no.
(尺寸 20.3) (Dim 20.3)	HL184S-1
(尺寸 21.5) (Dim 21.5)	HL188S-1

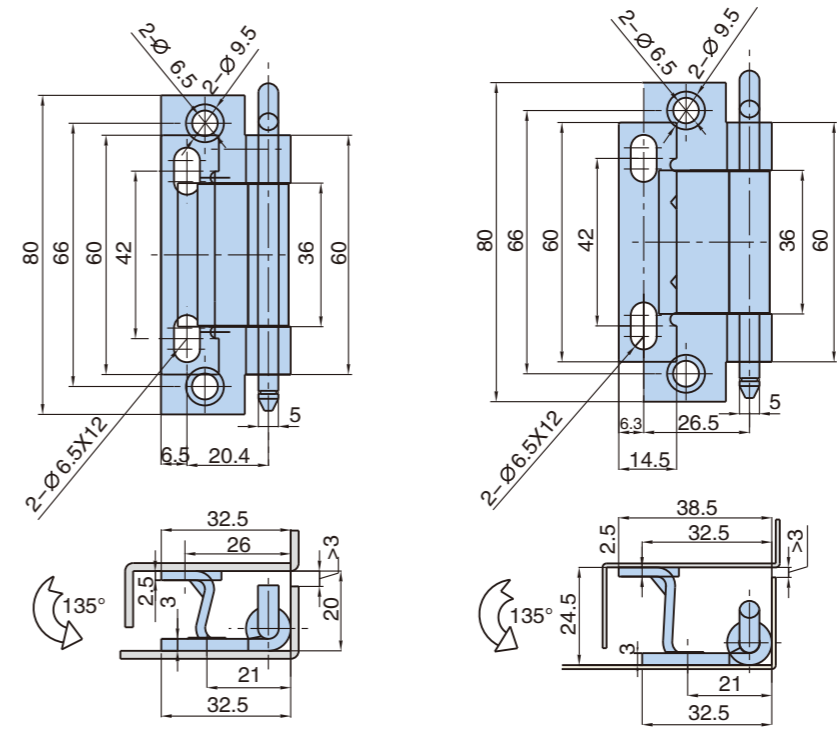
隐藏式铰链 Concealed Hinge

HL190S



可定制产品 Customizable products

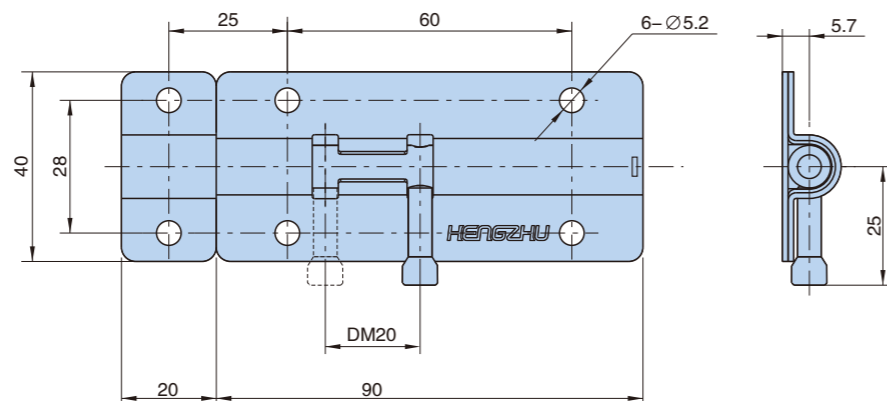
- 材质: 不锈钢动、静铰链, 不锈钢销子
- 表面处理: 拉丝
- 备注: 旋转约135°
- Material: stainless hinge, stainless steel pin
- Finish: drawing
- Remark: 135° hinge



	型号 Product no.
(尺寸 20) (Dim 20)	HL190S-1
(尺寸 24.5) (Dim 24.5)	HL190S-2

MX04

门销 Door pin

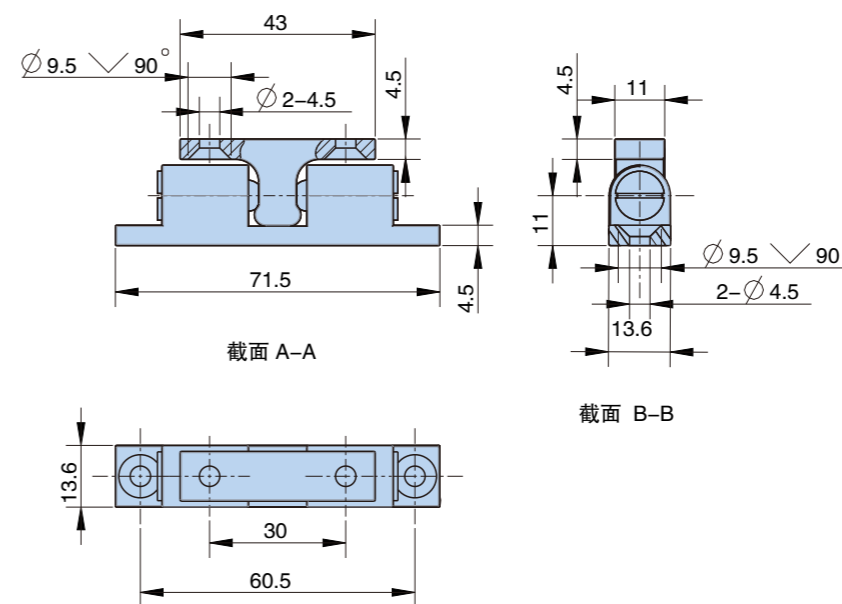


- 材质：不锈钢。
- 表面处理：拉丝
- Material:Stainless steel
- Finish: Sand nickel plating

型号 Product no.	产品单重(g) Weight	装箱数 Lot
MX04	122.5	300

门销碰锁 Door pin lock

MX07S-1



✓
可定制产品
Customizable products

- 材质：不锈钢动、静，不锈钢销子
- 表面处理：拉丝
- 备注：旋转约180°
- Material: stainless hinge, stainless steel pin
- Finish: drawing
- Remark:180° hinge

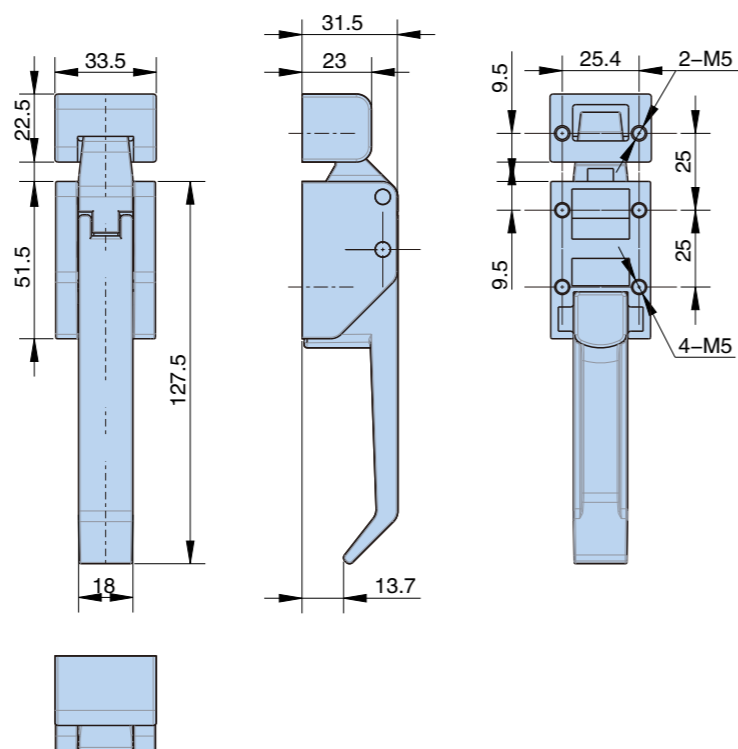
型号 Product no.	产品单重(g) Weight	装箱数 Lot
MX07S-1		

PL021S-3-2

杠杆式拉手 Lever Handles



可定制产品
Customizable products

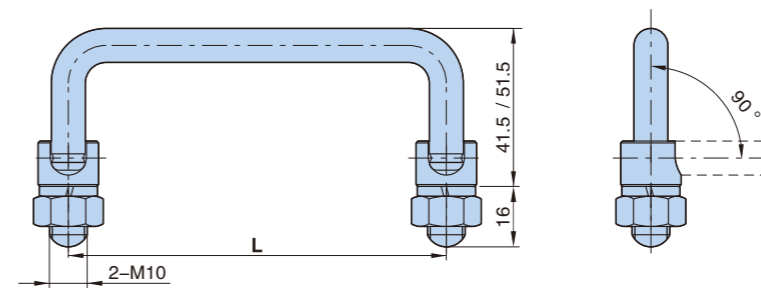


型号 Product no.	产品单重(g) Weight	装箱数 Lot
PL021S-3-2		

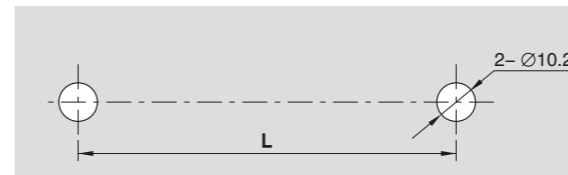
- 材质：不锈钢
- 表面处理：拉丝
- Material: stainless hinge, stainless steel pin
- Finish: drawing

可折叠式U拉手 Folding U-Shape Handles

PL004-2S



开孔尺寸
Cut out

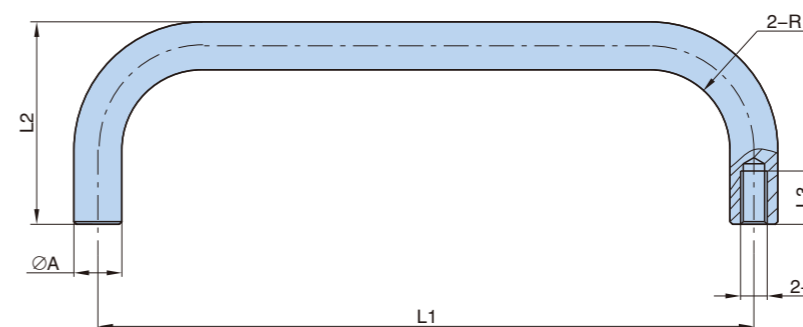


型号 Product no.	基本尺寸L Dimensions L	产品单重(g) Weight	装箱数 Lot
PL004-2S(不锈钢)	100	132	200

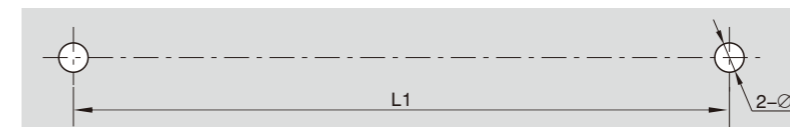
- 材质：不锈钢
- 表面处理：拉丝
- Material: stainless hinge, stainless steel pin
- Finish: drawing

U型拉手 U shape Handles

PL019-2



开孔尺寸
Cut out



型号 Product no.	基本尺寸 Dimensions							产品单重(g) Weight	装箱数 Lot
	L1	L2	L3	M	R	ØA	ØB		
PL019-2S(不锈钢)	100	38	10	M5	R6	Ø9	Ø5.5	75	200

- 材质：不锈钢
- 表面处理：拉丝
- Material: stainless hinge, stainless steel pin
- Finish: drawing

A拉手系列
Handles series

B平面锁系列
Plane lock series

C连杆锁系列
Rod control series

D面板锁系列
Plane lock series

E执手锁系列
Handle lock series

F转舌锁系列
Cam lock series

G铰链系列
Hinge series

H搭扣锁系列
Toggle lock series

I门销系列
Door bolt series

J电子锁系列
Electronic lock series

K密封条系列
Gasketing series

L限位系列
Door stop series

M附件系列
Accessories series

N不锈钢件系列
Stainless steel series

索引
Index

A拉手系列
Handles series

B平面锁系列
Plane lock series

C连杆锁系列
Rod control series

D面板锁系列
Plane lock series

E执手锁系列
Handle lock series

F转舌锁系列
Cam lock series

G铰链系列
Hinge series

H搭扣锁系列
Toggle lock series

I门销系列
Door bolt series

J电子锁系列
Electronic lock series

K密封条系列
Gasketing series

L限位系列
Door stop series

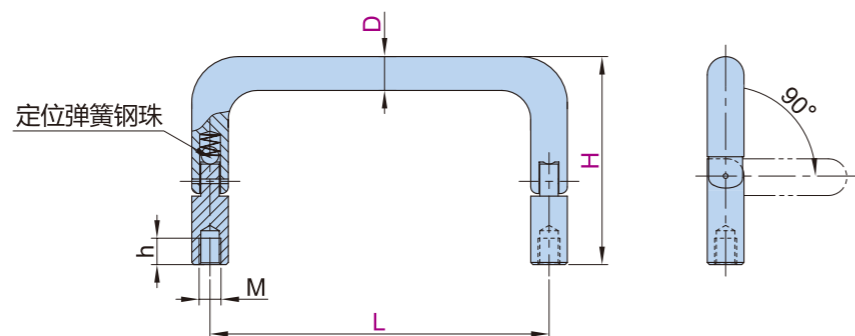
M附件系列
Accessories series

N不锈钢件系列
Stainless steel series

索引
Index

PL100S-1

可折叠式U拉手 Folding U-Shape Handles

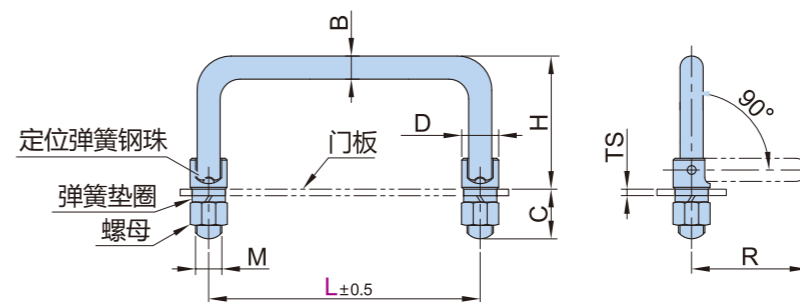


型号		L	H	h	M
代码	D				
PL100S-1-L80	8	80	50	6	5
PL100S-1-L90		90			
PL100S-1-L100		100			

- 材质: 不锈钢
- 表面处理: 镜面抛光
- Material: Stainless steel
- Finish: Mirror polished or brushed

可折叠式U拉手 Folding U-Shape Handles

PL004S



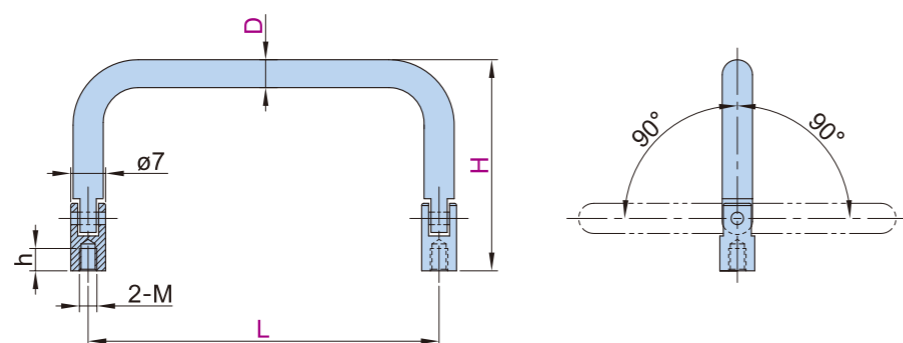
型号		B	D	M	C	H	TS		
代码	L								
PL004S-1-L60	60	6	16	M6	13	32	1-3		
PL004S-1-L84	84			M10	16	41.5			
PL004S-2-L90	90			M6	13	32			
PL004S-1-L90A	90A			M10	16	41.5			
PL004S-2-L100	100			M6	13	32			
PL004S-1-L100A	100A			9	16	41			
PL004S-2-L100B	100B			9	16	42			
PL004S-2-L100C	100C			8	16	44			
PL004S-2-L100D	100D			10	18	16		41.5	
PL004S-2-L120	120			9	16	M6		13	32
PL004S-1-L120	120A			6	16	14		44	
PL004S-2-L120B	120B			10	18	M10		16	41.5
PL004S-2-L135	135	9	16	14	44				
PL004S-2-L155	155	9	16	14	44				
PL004S-2-L180	180	10	18	14	44				



- 材质: 不锈钢
- 表面处理: 镜面抛光
- Material: Stainless steel
- Finish: Mirror polished or brushed

PL101S-1

可折叠式U拉手 Folding U-Shape Handles

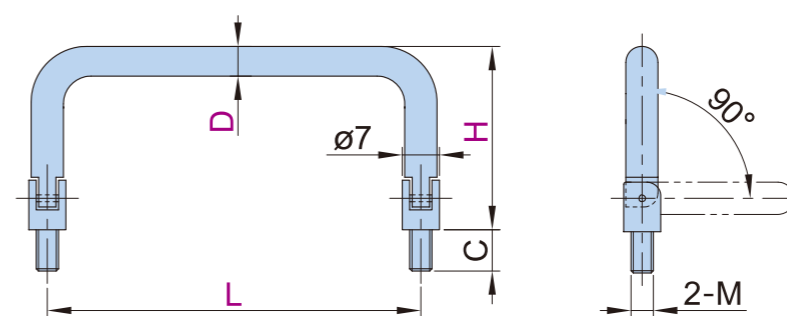


型号		L	H	h	M
代码	D				
PL101S-1-L60	6	60	44	9	4
PL101S-1-L70		70			
PL101S-1-L90		90			
PL101S-1-L100		100			
PL101S-1-L120		120			

- 材质: 不锈钢
- 表面处理: 镜面抛光
- Material: Stainless steel
- Finish: Mirror polished or brushed

可折叠式U拉手 Folding U-Shape Handles

PL102S-1



型号		L	H	M	C
代码	D				
PL102S-1-L60	6	60	25	4	8
PL102S-1-L70		70			
PL102S-1-L80		84			
PL102S-1-L90		90			
PL102S-1-L100		100			
PL102S-1-L120		120			

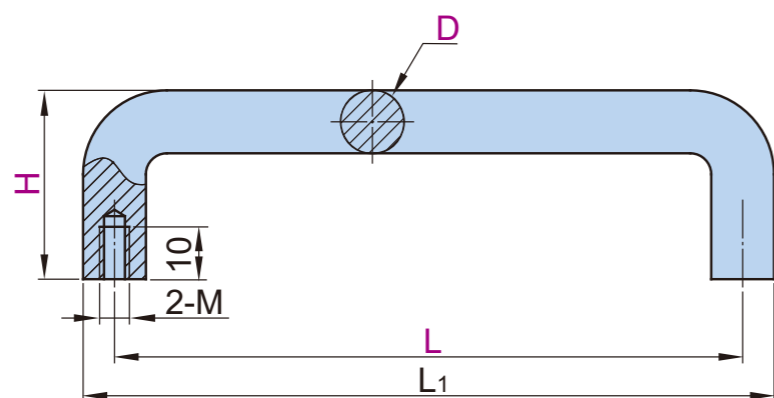
- 材质: 不锈钢
- 表面处理: 镜面抛光
- Material: Stainless steel
- Finish: Mirror polished or brushed

PL019S

U 型拉手 U shape Handles

INOX
AISI
3.16

NEW



型号		D	L	H	L ₁	M
代码						
PL019S-1-L80	80	10	37	90	M5	
PL019S-1B-L80	60					
PL019S-1-L100	37					
PL019S-1B-L100	60	10	40	110	M6	
PL019S-1-L110	37					
PL019S-1A-L110	40					
PL019S-1B-L110	60	10	40	120	M5	
PL019S-1-L120	37					
PL019S-1A-L120	40					
PL019S-1B-L120	60	10	40	130	M6	
PL019S-1-L125	37					
PL019S-1B-L125	60					
PL019S-1-L125	37	10	60	135	M5	
PL019S-1B-L125	60					
PL019S-1-L200	37					
PL019S-1B-L200	60	10	60	210	M5	
PL019S-1-L250	37					
PL019S-1B-L250	60					
PL019S-2-L150	150	12	52	162	M5	
PL019S-2A-L150	87					
PL019S-2-L188	188					
PL019S-2A-L188	52	12	87	200	M8	
PL019S-2-L238	52					
PL019S-2A-L238	87					
PL019S-2-L288	288	12	52	250	M5	
PL019S-2A-L288	87					
PL019S-2-L288	52					
PL019S-2A-L288	87					

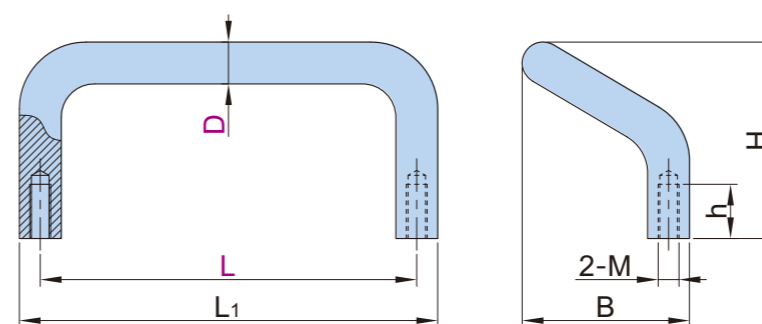
- 材质：不锈钢
- 表面处理：镜面抛光
- Material:Stainless steel hing
- Finish:Mirror polished or brushed

U 型拉手 U shape Handles

PL103S

INOX
AISI
3.16

NEW



无垫圈型

型号		D	L ₁	H	B	h	M
代码	L						
PL103S-1-L60	60	6	66	30	16	7	4
PL103S-1-L80	80		86	31.5			
PL103S-2-L100	100	8	108	32	18	10	5
PL103S-2-L120	120		128	40			
PL103S-3-L48	48	10	58	47	40	13	5
PL103S-3-L66	66		76				
PL103S-3-L88	88		98				
PL103S-3-L100	100		110				
PL103S-3-L110	110		120				
PL103S-3-L120	120		130				
PL103S-3-L125	125		135				
PL103S-3-L160	160		170				

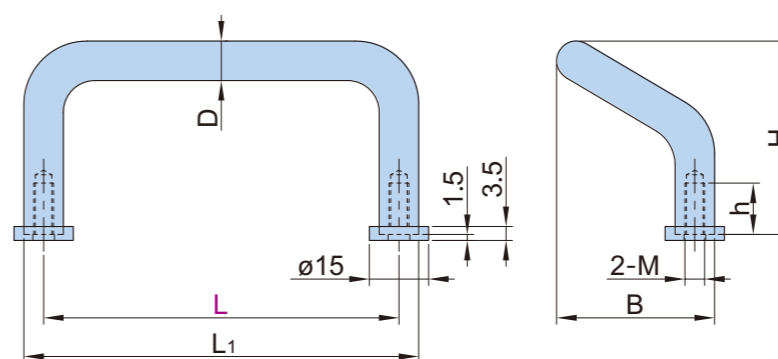
- 材质：不锈钢
- 表面处理：镜面抛光
- Material:Stainless steel hing
- Finish:Mirror polished or brushed

U 型拉手 U shape Handles

PL104S-1

INOX
AISI
3.16

NEW



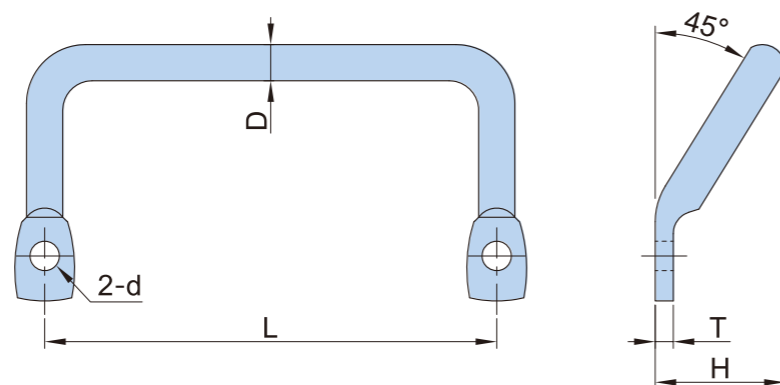
带垫圈型

型号		垫圈材质	D	L ₁	H	B	h	M
代码	L							
PL104S-1-L48	48	SUS304	10	58	47	40	13	5
PL104S-1-L66	66			76				
PL104S-1-L88	88			98				
PL104S-1-L100	100			110				
PL104S-1-L110	110			120				
PL104S-1-L120	120			130				
PL104S-1-L125	125			135				
PL104S-1-L160	160			170				

- 材质：不锈钢
- 表面处理：镜面抛光
- Material:Stainless steel hing
- Finish:Mirror polished or brushed

PL105S-1

U型拉手 U shape Handles

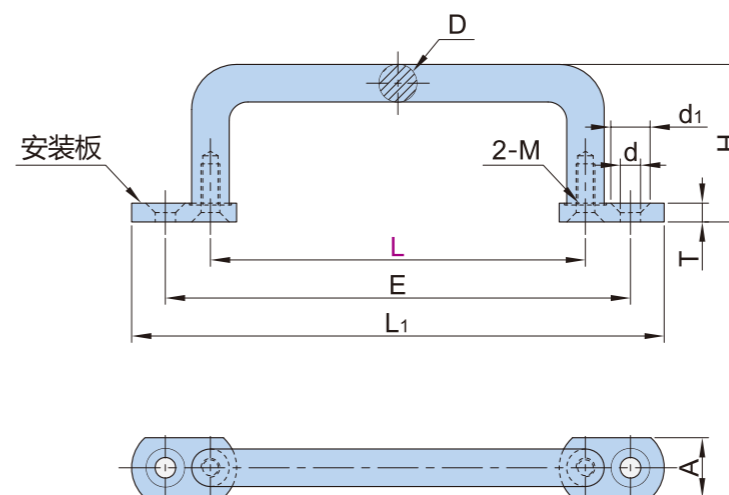


型号		D	H	T	d
代码	L				
PL105S-1-L100	100	8	35	4	6.5
PL105S-1-L120	120				

- 材质：不锈钢
- 表面处理：镜面抛光
- Material:Stainless steel hing
- Finish:Mirror polished or brushed

U型拉手 U shape Handles

PL107S-1

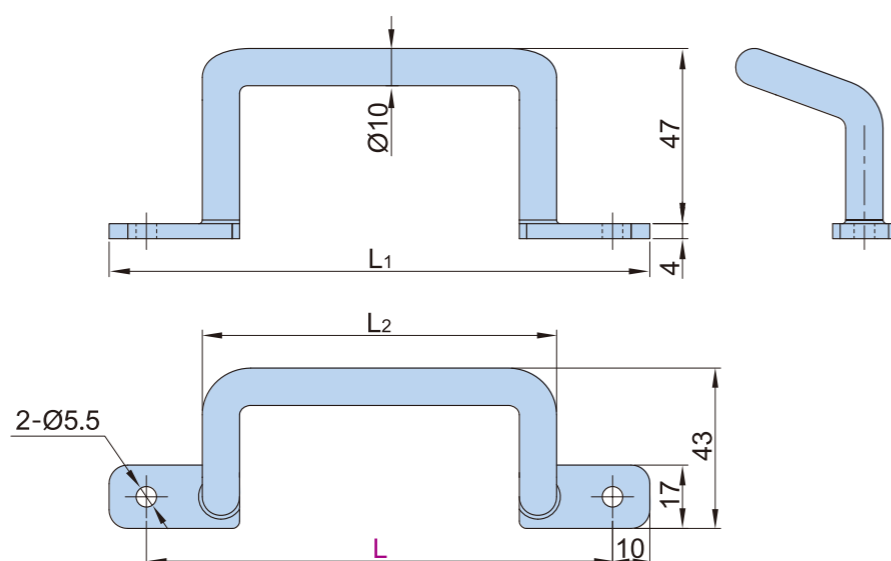


型号		L1	D	E	H	A	T	M	d	d1
代码	L									
PL107S-1-L80	80	118	10	104	42	16	5	M5	5.4	10.5
PL107S-1-L100	100	138		124						
PL107S-1-L110	110	148		134						
PL107S-1-L120	120	158		144						
PL107S-1-L125	125	163		149						
PL107S-1-L160	160	198		184						
PL107S-1-L200	200	238		224						
PL107S-1-L250	250	288	274							

- 材质：不锈钢
- 表面处理：镜面抛光
- Material:Stainless steel hing
- Finish:Mirror polished or brushed

PL106S-1

U型拉手 U shape Handles

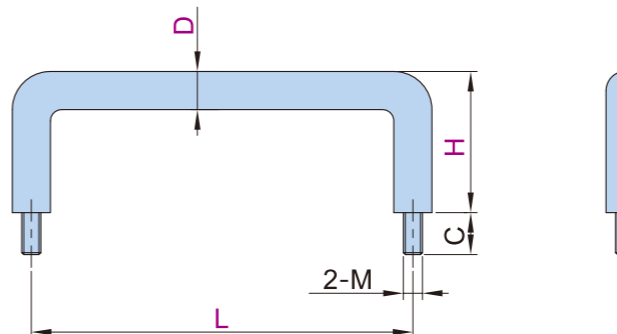


型号		L1	L2
代码	L		
PL106S-1-L110	110	130	80
PL106S-1-L120	120	140	90
PL106S-1-L125	125	145	95
PL106S-1-L160	160	180	130
PL106S-1-L200	200	220	170
PL106S-1-L250	250	270	220

- 材质：不锈钢
- 表面处理：镜面抛光
- Material:Stainless steel hing
- Finish:Mirror polished or brushed

U型拉手 U shape Handles

PL108S-1

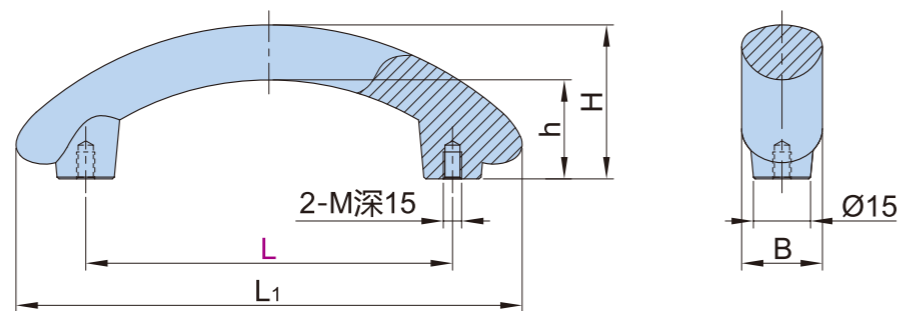


型号		L	H	M	C
代码	D				
PL108S-1-L80	10	80	37	5	11
PL108S-1-L100		100			
PL108S-1-L110		110			
PL108S-1-L120		120			
PL108S-1-L125		125			
PL108S-1-L160		160			
PL108S-1-L200		200			
PL108S-1-L250	250				

- 材质：不锈钢
- 表面处理：镜面抛光
- Material:Stainless steel hing
- Finish:Mirror polished or brushed

PL109S

U型拉手 U shape Handles

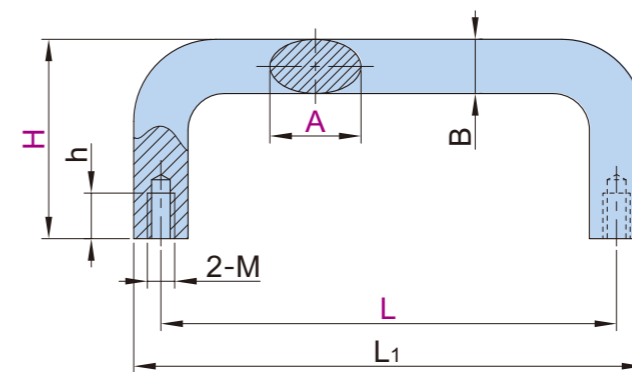


型号		B	H	L ₁	h	M
代码	L					
PL109S-1	100		42	138	27	M5
PL109S-2	150	22	44	190	29	

- 材质：不锈钢
- 表面处理：镜面抛光
- Material:Stainless steel hing
- Finish:Mirror polished or brushed

U型拉手 U shape Handles

PL111S

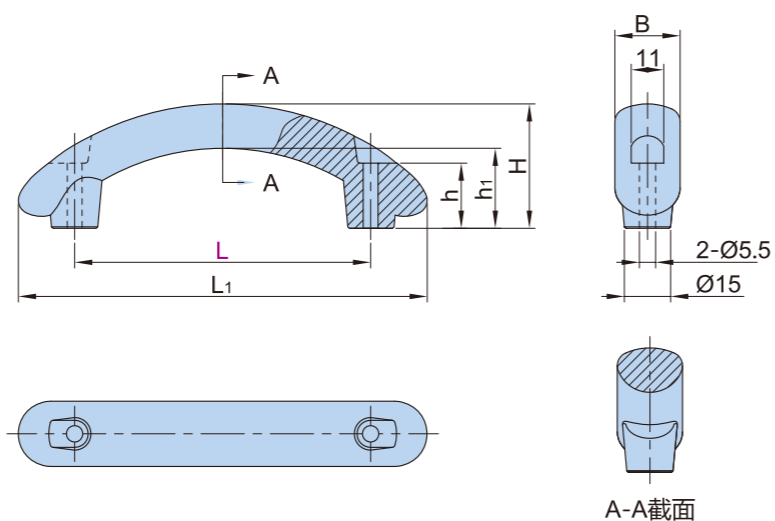


型号		L	H	L ₁	B	h	M
代码	A						
PL111S-1-L100		100		108	8	10	5
PL111S-1-L120	12	120	40	128			

- 材质：不锈钢
- 表面处理：镜面抛光
- Material:Stainless steel hing
- Finish:Mirror polished or brushed

PL110S

U型拉手 U shape Handles

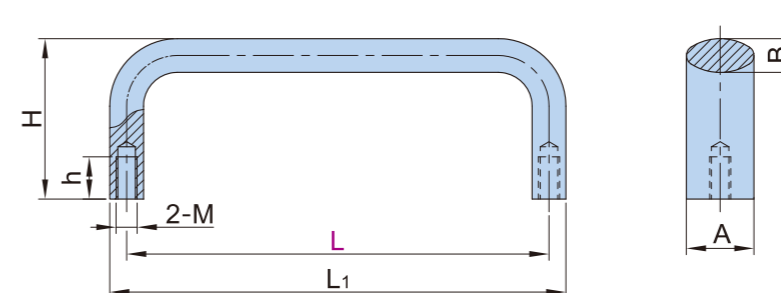


型号		B	H	L ₁	h	h ₁
代码	L					
PL110S-1	100		42	139	22	27
PL110S-2	150	22	44	190	20	29

- 材质：不锈钢
- 表面处理：镜面抛光
- Material:Stainless steel hing
- Finish:Mirror polished or brushed

U型拉手 U shape Handles

PL112S

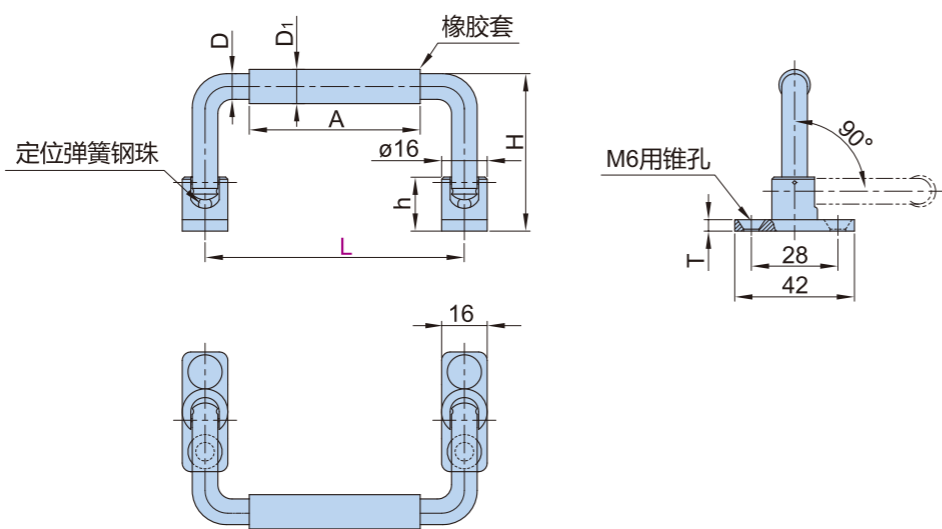


型号		L ₁	A	B	H	h	M
代码	L						
PL112S-1-L100	100	110	16	10	35	6	5
PL112S-1-L120	120	130			40	8	

- 材质：不锈钢
- 表面处理：镜面抛光
- Material:Stainless steel hing
- Finish:Mirror polished or brushed

PL113S-1

可折叠式U拉手 Folding U-Shape Handles

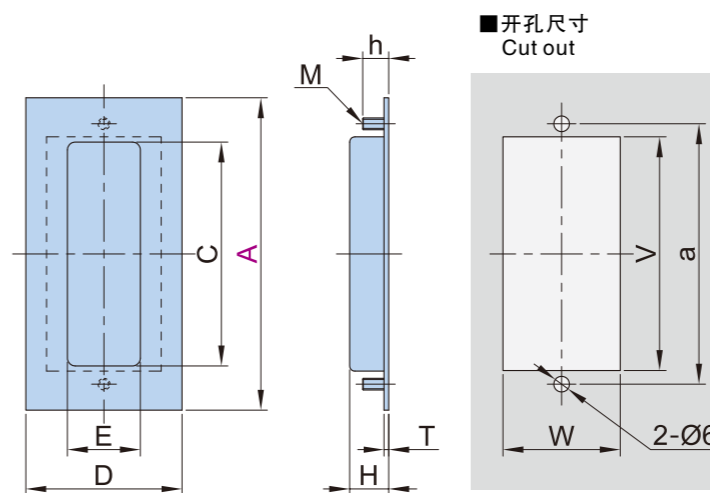


型号		D	D ₁	H	h	A	T
代码	L						
PL113S-1-L100	100	9	12.8	49	19	77	4

- 材质: 不锈钢
- 表面处理: 镜面抛光
- Material: Stainless steel hing
- Finish: Mirror polished or brushed

嵌入式拉手 Pocket Pull

PL115S

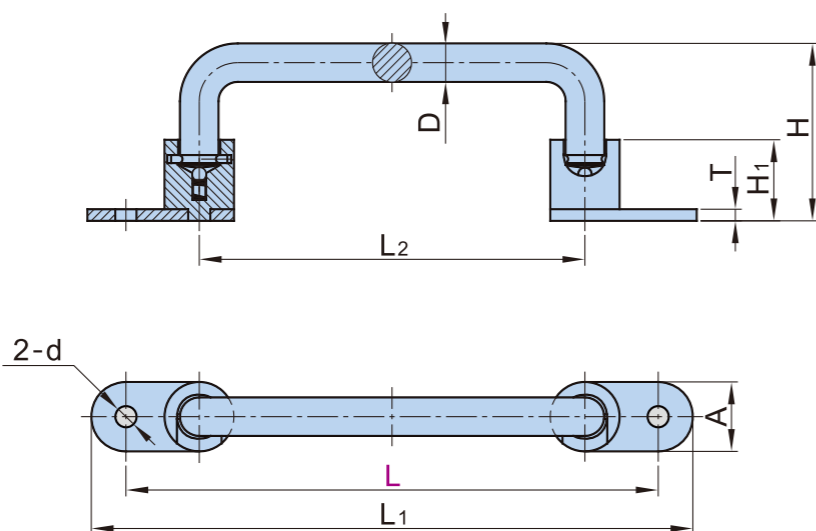


型号		C	D	E	H	h	T	M	开孔尺寸		
代码	A								a	W	V
PL115S-1-L90	90	58	60	28	15	10	1.8	M4	74	45	61
PL115S-1-L120	120	86				10	1.8	M4	100	45	91
PL115S-1-L119	119	84.5				9	1.6	M5	100	40	90

- 材质: 不锈钢
- 表面处理: 拉丝
- Material: stainless hinge, stainless steel pin
- Finish: drawing

PL114S-1

可折叠式U拉手 Folding U-Shape Handles

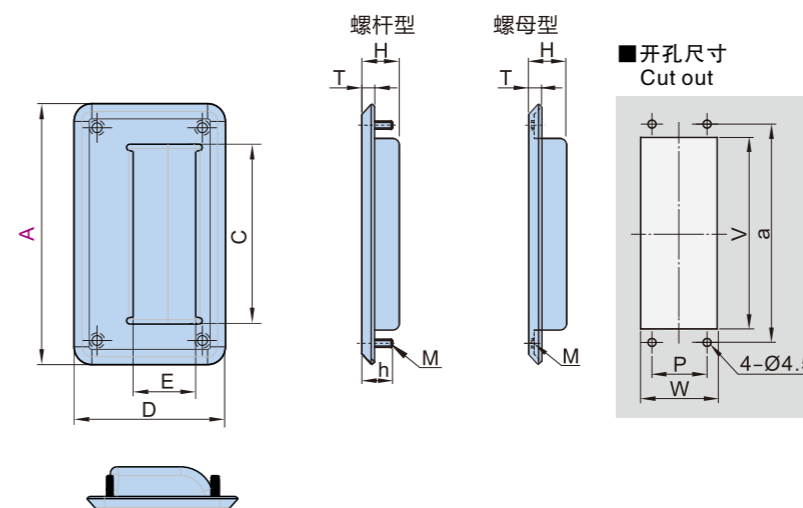


型号		L ₁	L ₂	D	H	H ₁	T	A	d
代码	L								
PL114S-1-L138	138	158	100	10	46	21	3	18	5.5
PL114S-1-L158	158	178	120						
PL114S-1-L180	180	200	142						
PL114S-1-L218	218	238	180						

- 材质: 不锈钢
- 表面处理: 镜面抛光
- Material: Stainless steel hing
- Finish: Mirror polished or brushed

嵌入式拉手 Pocket Pull

PL116S

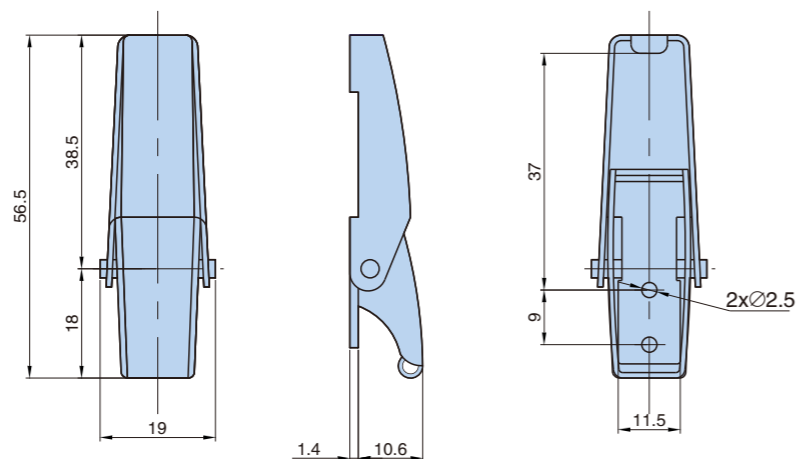
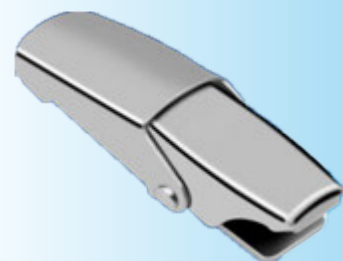


型号		安装方式	C	D	E	H	h	T	M	开孔尺寸			
代码	A									a	W	V	P
PL116S-1	94	(螺杆型)	61	60	25	17	14	5	M4	76	43	63	32
PL116S-2	109.5		67.5	64	25	19.5				88	42	73	38
PL116S-3	138		96	88	35	26				110	64	99	65
PL116S-1A	94	(螺母型)	61	60	25	17	14	5	M4	76	43	63	32
PL116S-2A	109.5		67.5	64	25	19.5				88	42	73	38
PL116S-3A	138		96	88	35	26				110	64	99	65

- 材质: 不锈钢
- 表面处理: 拉丝
- Material: stainless hinge, stainless steel pin
- Finish: drawing

DK110-1

搭扣 Latch up

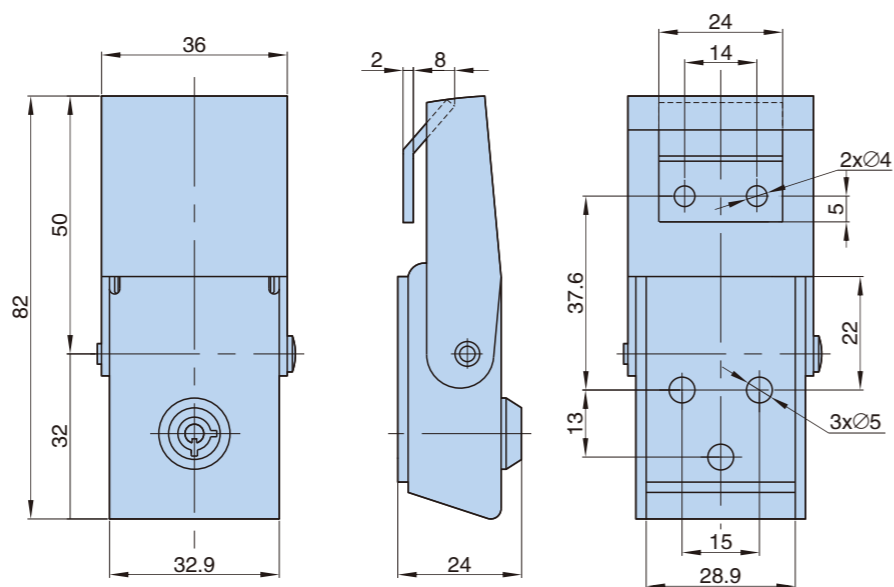
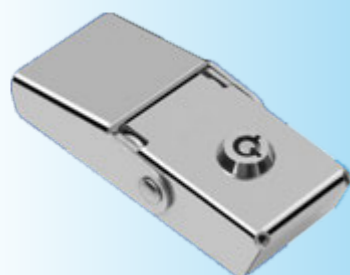


- 材质：不锈钢
- 表面处理：振光研磨
- Material: stainless steel
- Finish: Vibrating polishing

型号 Product no.	产品单重(g) Weight	装箱数 Lot
DK110-1		

DK111-1

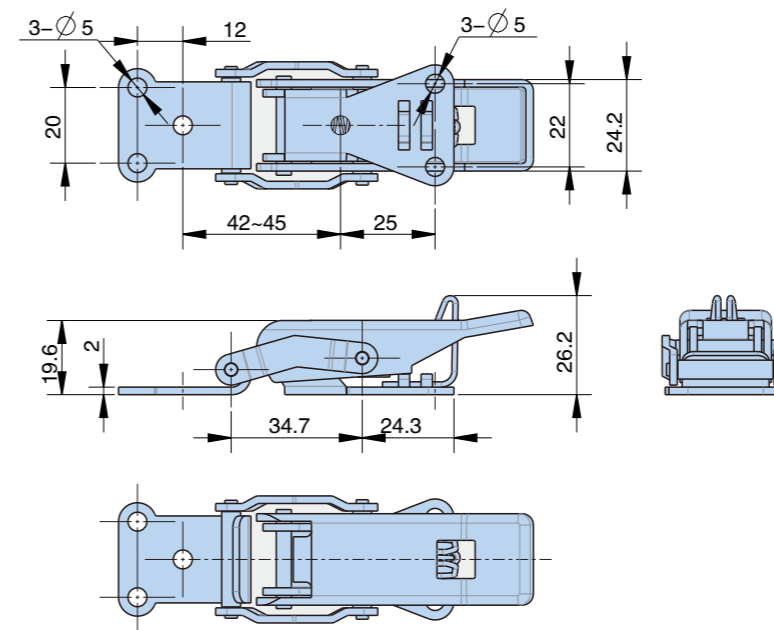
搭扣 Latch up



- 材质：搭扣不锈钢,锁芯锌合金
- 表面处理：振光研磨
- Material: stainless steel
- Finish: Vibrating polishing

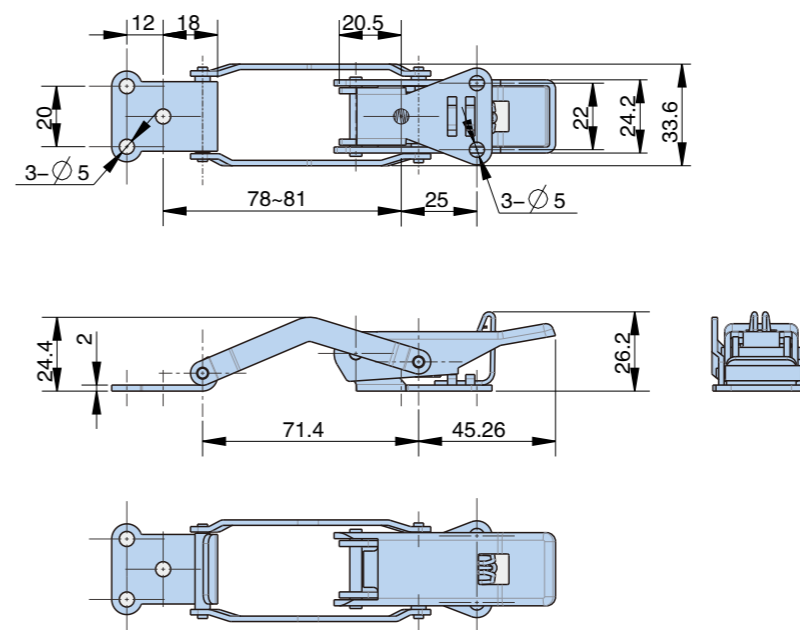
型号 Product no.	产品单重(g) Weight	装箱数 Lot
DK111-1		

搭扣 Latch up



型号 Product no.	产品单重(g) Weight	装箱数 Lot
DK112-1		

搭扣 Latch up



型号 Product no.	产品单重(g) Weight	装箱数 Lot
DK112-2		

DK112-1



- 材质：不锈钢
- 表面处理：拉丝/镜面抛光
- Material: stainless steel
- Finish: brushed / mirror polished

DK112-2



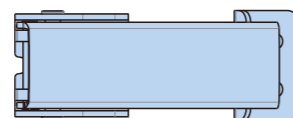
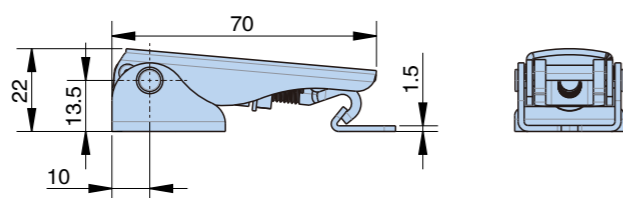
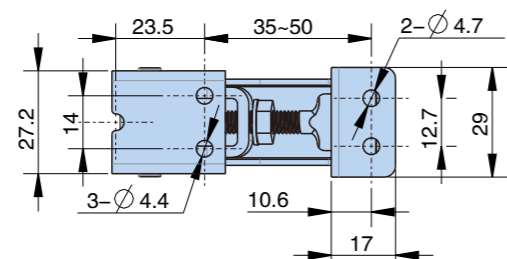
- 材质：不锈钢
- 表面处理：拉丝/镜面抛光
- Material: stainless steel
- Finish: brushed / mirror polished

DK113-1

搭扣 Latch up

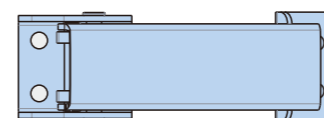
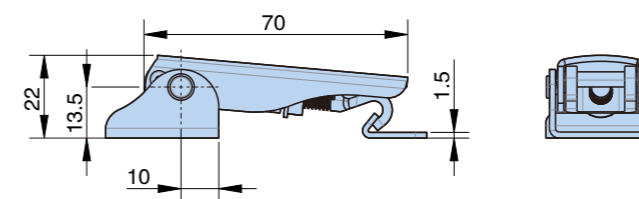
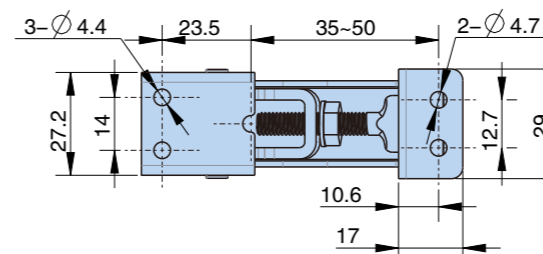


- 材质：不锈钢
- 表面处理：振光研磨
- Material: stainless steel
- Finish: Vibrating polishing



型号 Product no.	产品单重(g) Weight	装箱数 Lot
DK113-1	98.4	00

搭扣 Latch up



型号 Product no.	产品单重(g) Weight	装箱数 Lot
DK114-1		

DK114-1



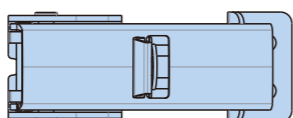
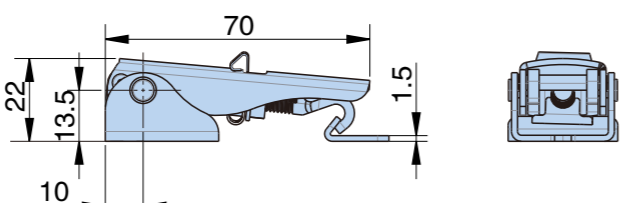
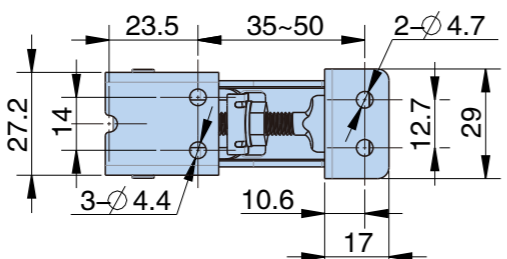
- 材质：不锈钢
- 表面处理：振光研磨
- Material: stainless steel
- Finish: Vibrating polishing

DK113-2

搭扣 Latch up

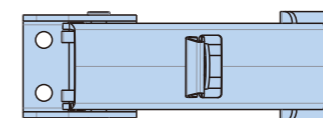
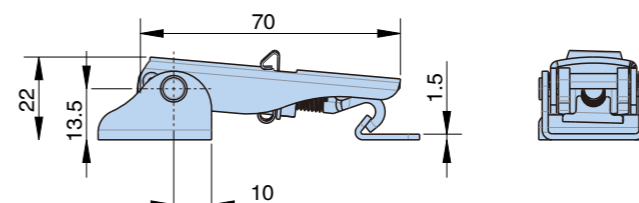
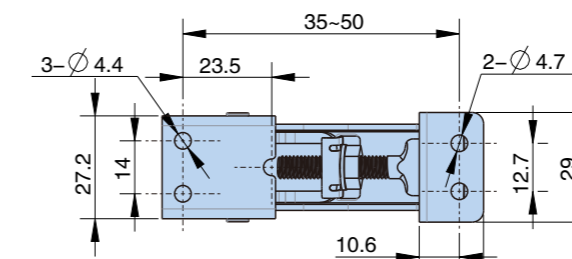


- 材质：不锈钢
- 表面处理：振光研磨
- Material: stainless steel
- Finish: Vibrating polishing



型号 Product no.	产品单重(g) Weight	装箱数 Lot
DK113-2	107	00

搭扣 Latch up



型号 Product no.	产品单重(g) Weight	装箱数 Lot
DK114-2		

DK114-2



- 材质：不锈钢
- 表面处理：振光研磨
- Material: stainless steel
- Finish: Vibrating polishing

A拉手系列 Handles series

B平面锁系列 Plane lock series

C连杆锁系列 Rod control series

D面板锁系列 Plane lock series

E执手锁系列 Handle lock series

F转舌锁系列 Cam lock series

G铰链系列 Hinge series

H搭扣锁系列 Toggle lock series

I门销系列 Door bolt series

J电子锁系列 Electronic lock series

K密封条系列 Gasketing series

L限位系列 Door stop series

M附件系列 Accessories series

N不锈钢件系列 Stainless steel series

索引 Index

A拉手系列 Handles series

B平面锁系列 Plane lock series

C连杆锁系列 Rod control series

D面板锁系列 Plane lock series

E执手锁系列 Handle lock series

F转舌锁系列 Cam lock series

G铰链系列 Hinge series

H搭扣锁系列 Toggle lock series

I门销系列 Door bolt series

J电子锁系列 Electronic lock series

K密封条系列 Gasketing series

L限位系列 Door stop series

M附件系列 Accessories series

N不锈钢件系列 Stainless steel series

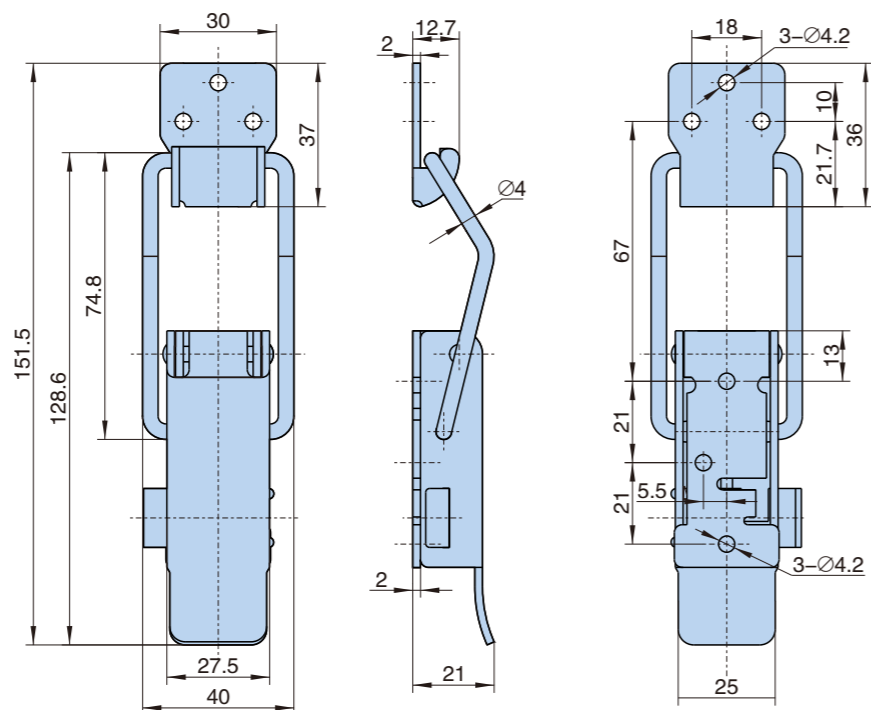
索引 Index

DK115-1

搭扣 Latch up

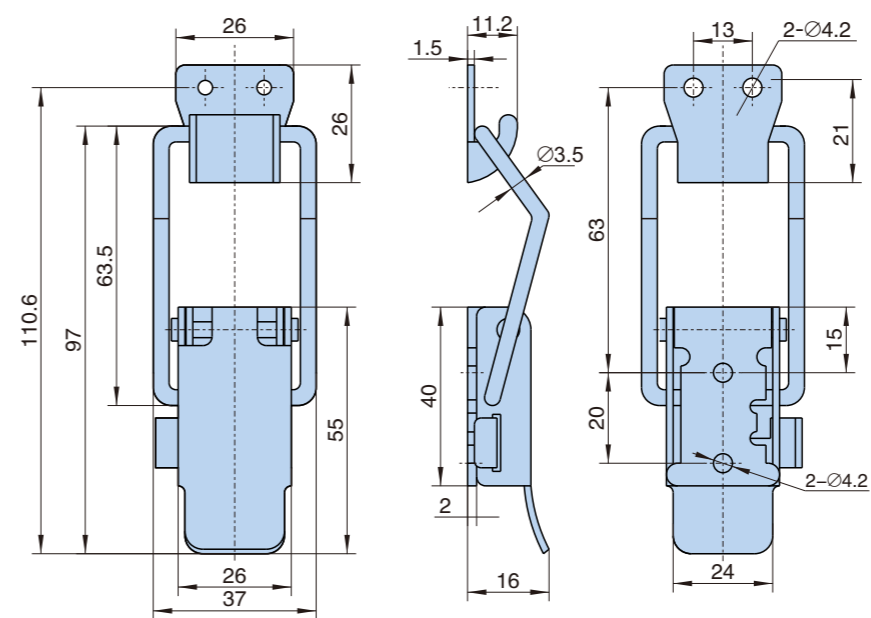


- 材质: 不锈钢
- 表面处理: 振光研磨
- Material: stainless steel
- Finish: Vibrating polishing



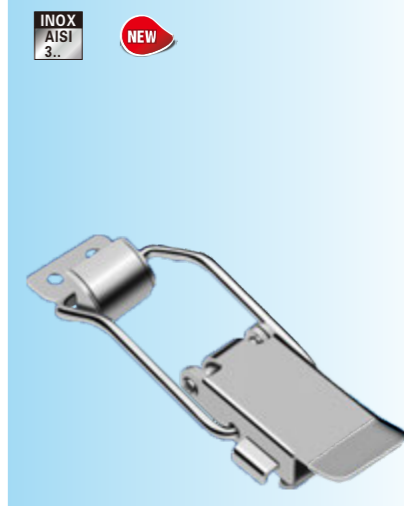
型号 Product no.	产品单重(g) Weight	装箱数 Lot
DK115-1		

搭扣 Latch up



型号 Product no.	产品单重(g) Weight	装箱数 Lot
DK115-2		

DK115-2



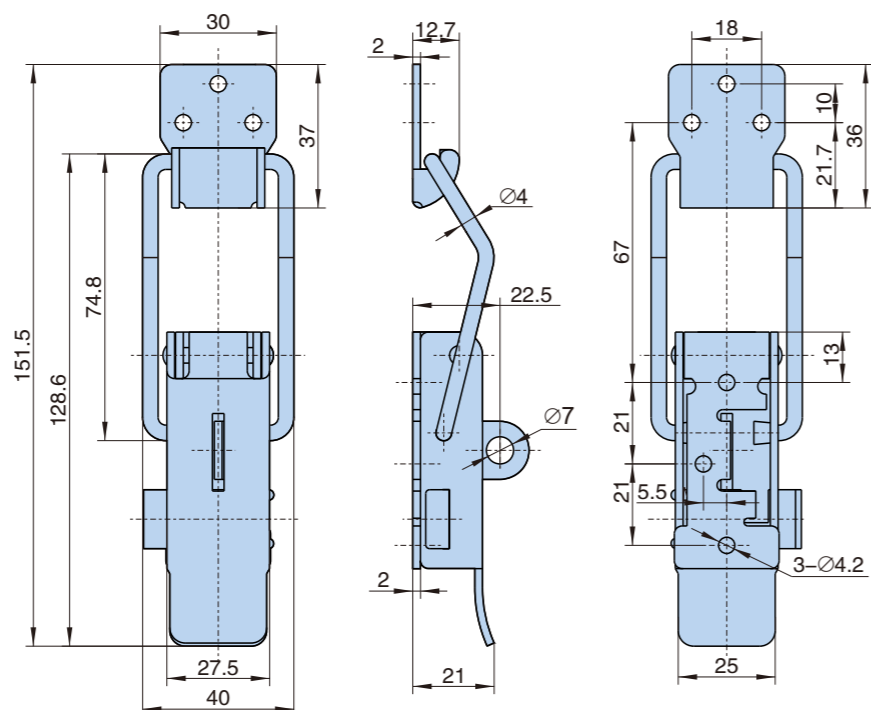
- 材质: 不锈钢
- 表面处理: 振光研磨
- Material: stainless steel
- Finish: Vibrating polishing

DK115-1G

搭扣 Latch up

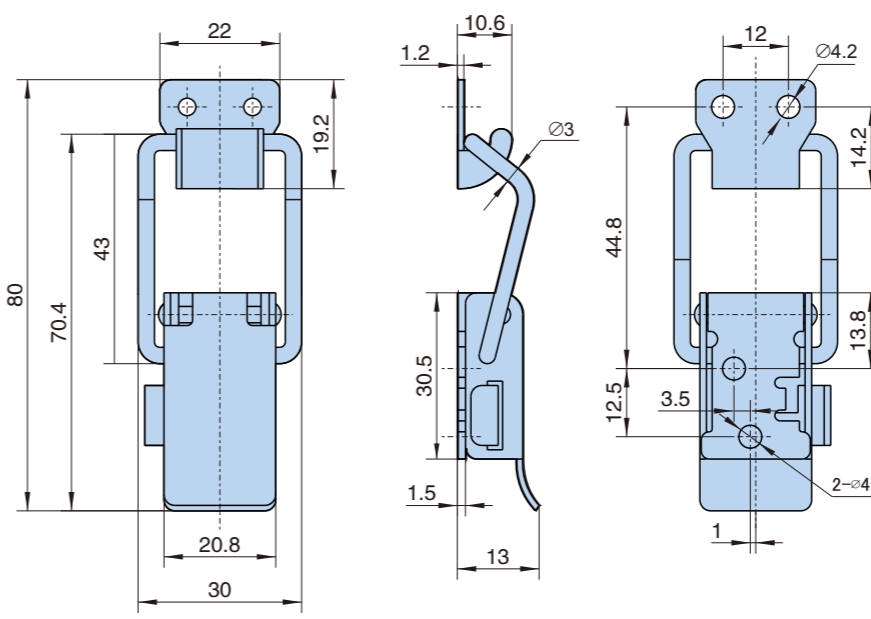


- 材质: 不锈钢
- 表面处理: 振光研磨
- Material: stainless steel
- Finish: Vibrating polishing



型号 Product no.	产品单重(g) Weight	装箱数 Lot
DK115-1G		

搭扣 Latch up



型号 Product no.	产品单重(g) Weight	装箱数 Lot
DK115-3		

DK115-3



- 材质: 不锈钢
- 表面处理: 振光研磨
- Material: stainless steel
- Finish: Vibrating polishing

A拉手系列
Handles series

B平面锁系列
Plane lock series

C连杆锁系列
Rod control series

D面板锁系列
Plane lock series

E执手锁系列
Handle lock series

F转舌锁系列
Cam lock series

G铰链系列
Hinge series

H搭扣锁系列
Toggle lock series

I门销系列
Door bolt series

J电子锁系列
Electronic lock series

K密封条系列
Gasketing series

L限位系列
Door stop series

M附件系列
Accessories series

N不锈钢件系列
Stainless steel series

索引
Index

A拉手系列
Handles series

B平面锁系列
Plane lock series

C连杆锁系列
Rod control series

D面板锁系列
Plane lock series

E执手锁系列
Handle lock series

F转舌锁系列
Cam lock series

G铰链系列
Hinge series

H搭扣锁系列
Toggle lock series

I门销系列
Door bolt series

J电子锁系列
Electronic lock series

K密封条系列
Gasketing series

L限位系列
Door stop series

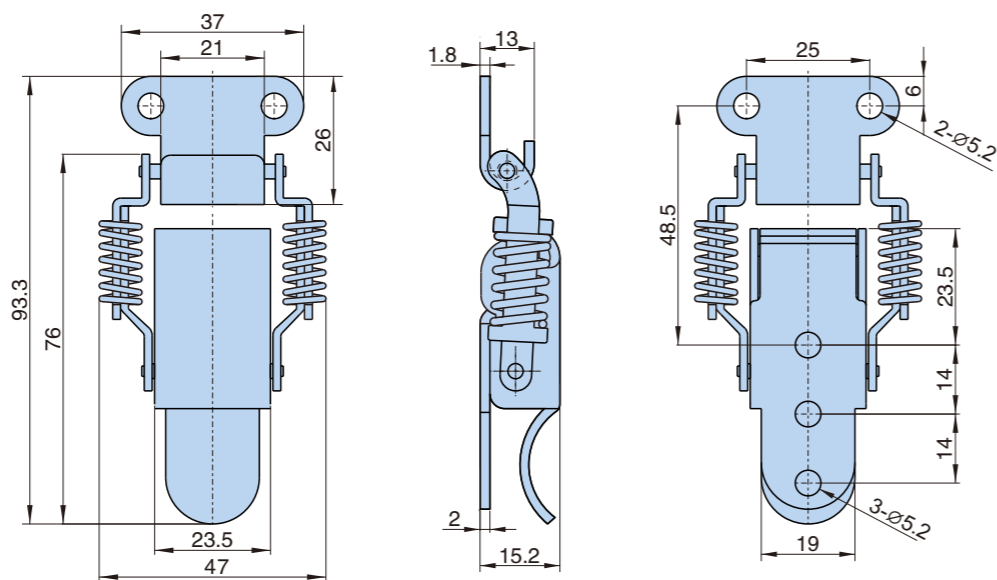
M附件系列
Accessories series

N不锈钢件系列
Stainless steel series

索引
Index

DK116-1

搭扣 Latch up

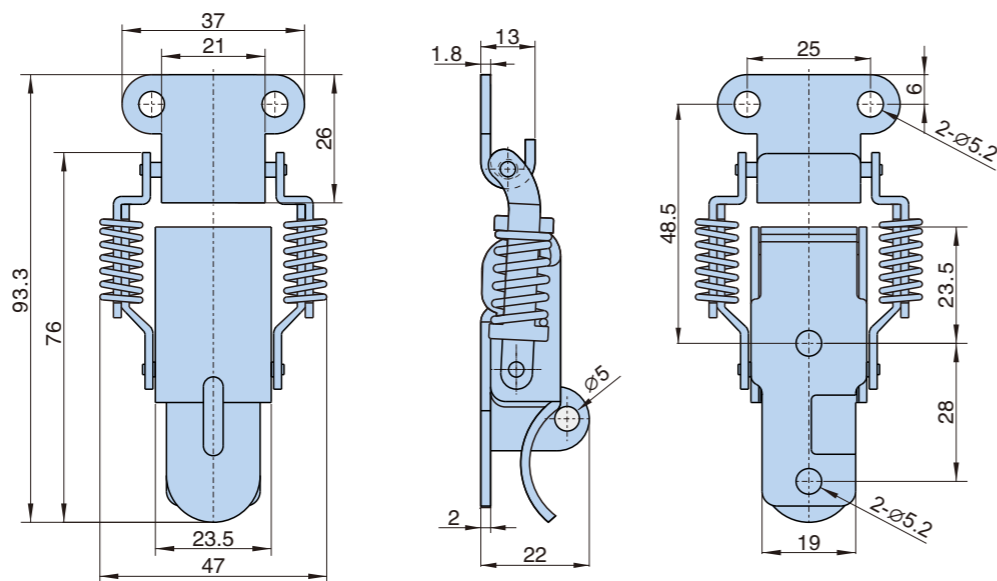


型号 Product no.	产品单重(g) Weight	装箱数 Lot
DK116-1		

- 材质: 不锈钢
- 表面处理: 振光研磨
- Material: stainless steel
- Finish: Vibrating polishing

DK116-1G

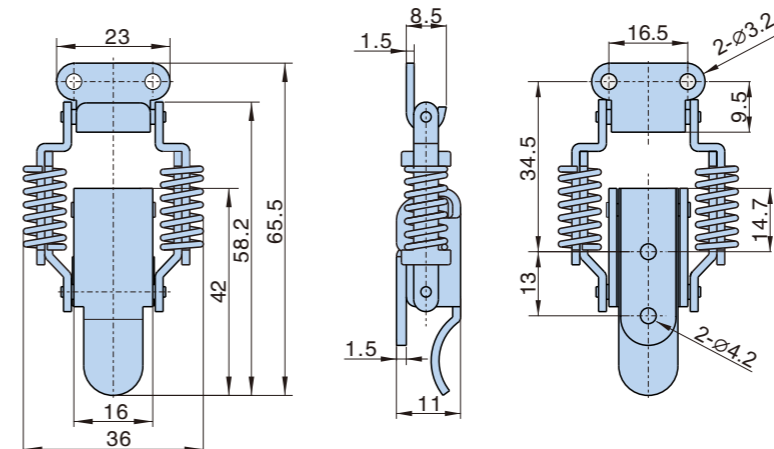
搭扣 Latch up



型号 Product no.	产品单重(g) Weight	装箱数 Lot
DK116-1G		

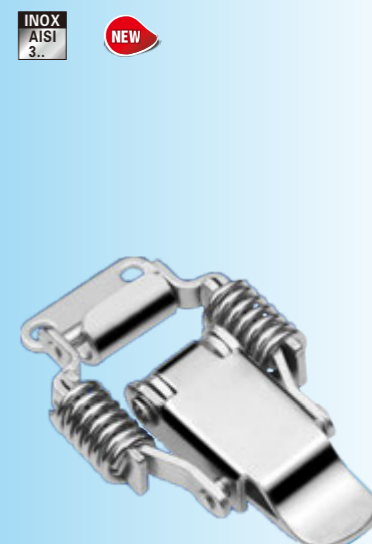
- 材质: 不锈钢
- 表面处理: 振光研磨
- Material: stainless steel
- Finish: Vibrating polishing

搭扣 Latch up



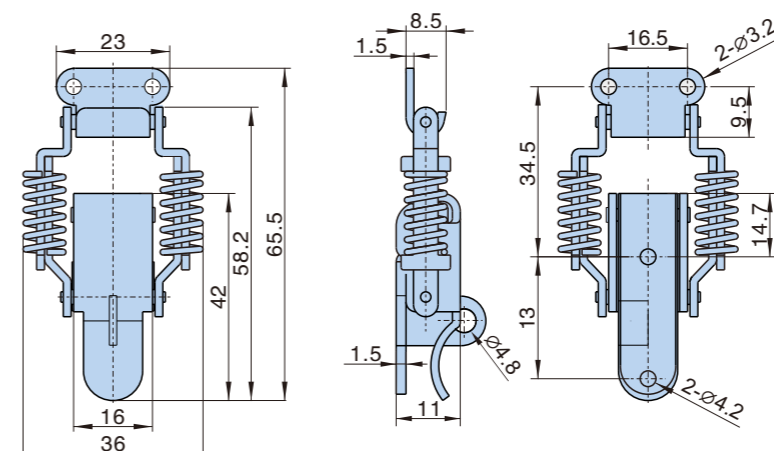
型号 Product no.	产品单重(g) Weight	装箱数 Lot
DK116-2		

DK116-2



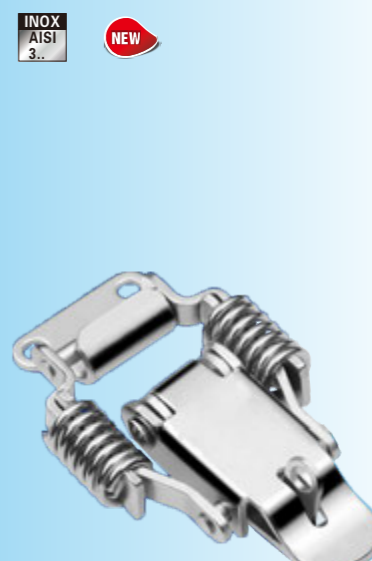
- 材质: 不锈钢
- 表面处理: 振光研磨
- Material: stainless steel
- Finish: Vibrating polishing

搭扣 Latch up



型号 Product no.	产品单重(g) Weight	装箱数 Lot
DK116-2G		

DK116-2G



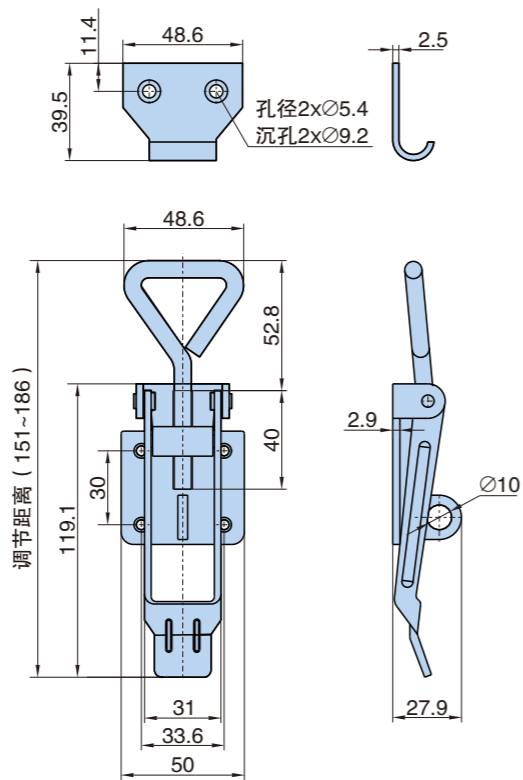
- 材质: 不锈钢
- 表面处理: 振光研磨
- Material: stainless steel
- Finish: Vibrating polishing

DK117-1

搭扣 Latch up

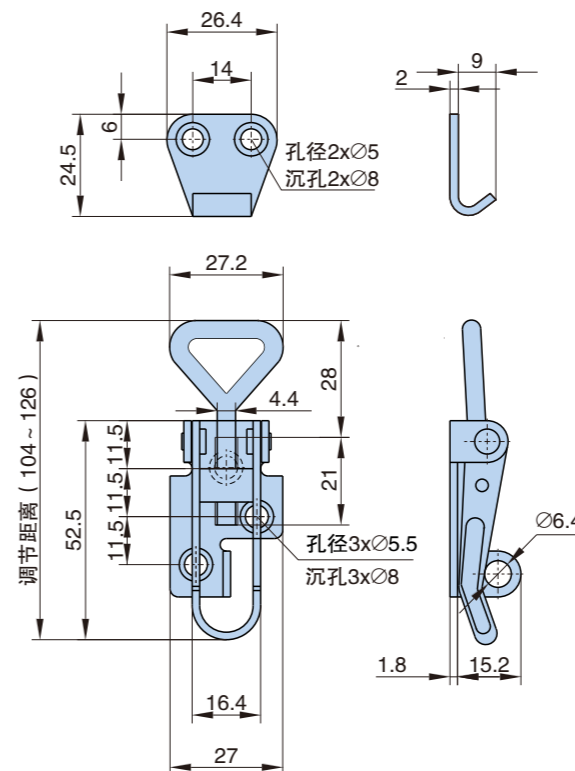


- 材质: 不锈钢
- 表面处理: 振光研磨
- Material: stainless steel
- Finish: Vibrating polishing



型号 Product no.	产品单重(g) Weight	装箱数 Lot
DK117-1		

搭扣 Latch up



型号 Product no.	产品单重(g) Weight	装箱数 Lot
DK118-1G		

DK118-1G



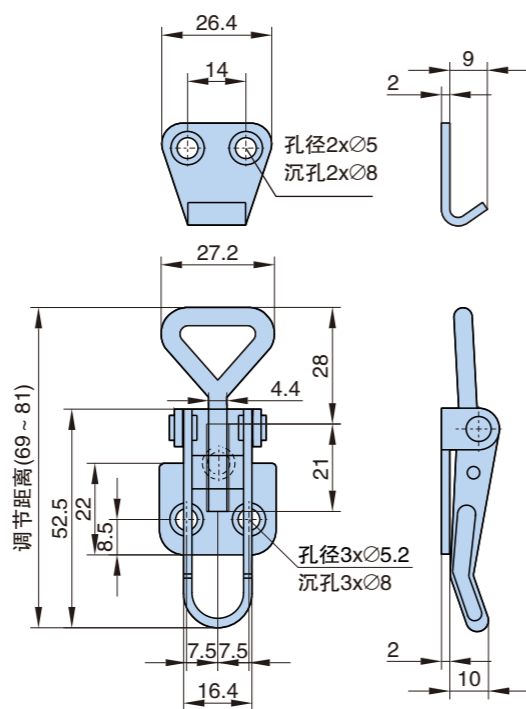
- 材质: 不锈钢
- 表面处理: 振光研磨
- Material: stainless steel
- Finish: Vibrating polishing

DK118-1

搭扣 Latch up

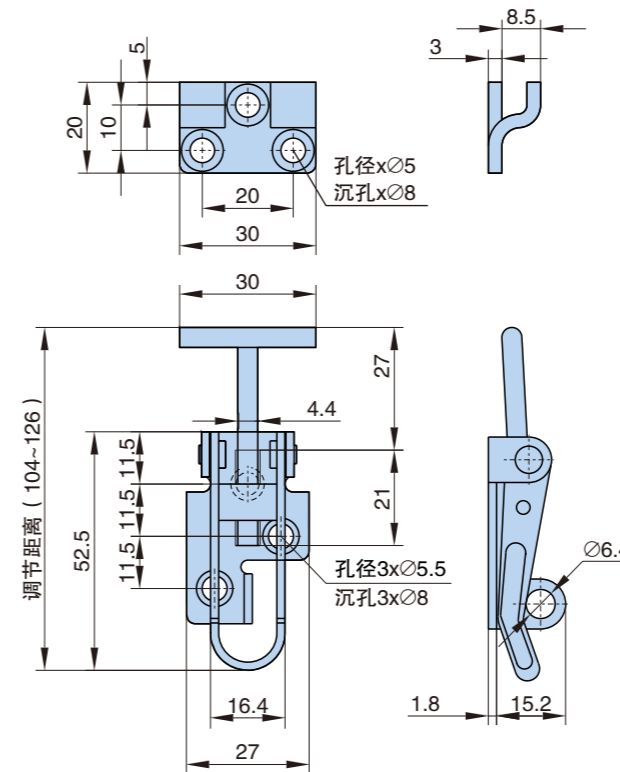


- 材质: 不锈钢
- 表面处理: 振光研磨
- Material: stainless steel
- Finish: Vibrating polishing



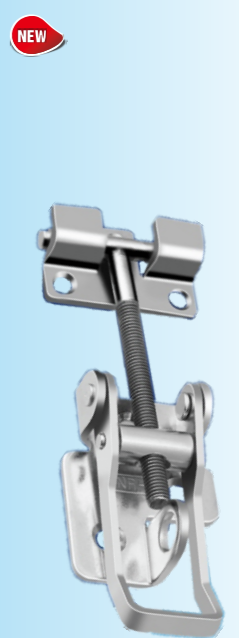
型号 Product no.	产品单重(g) Weight	装箱数 Lot
DK118-1		

搭扣 Latch up



型号 Product no.	产品单重(g) Weight	装箱数 Lot
DK118-2G		

DK118-2G



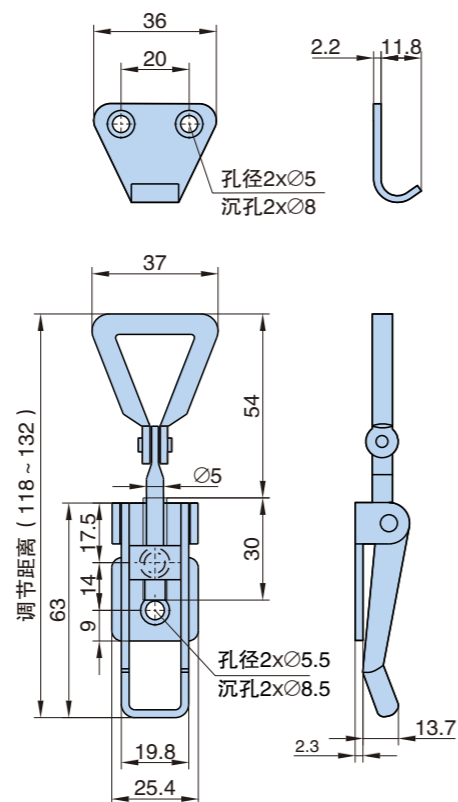
- 材质: 不锈钢
- 表面处理: 振光研磨
- Material: stainless steel
- Finish: Vibrating polishing

DK119-1

搭扣 Latch up

INOX
AISI
3.16

NEW



型号 Product no.	产品单重(g) Weight	装箱数 Lot
DK119-1		

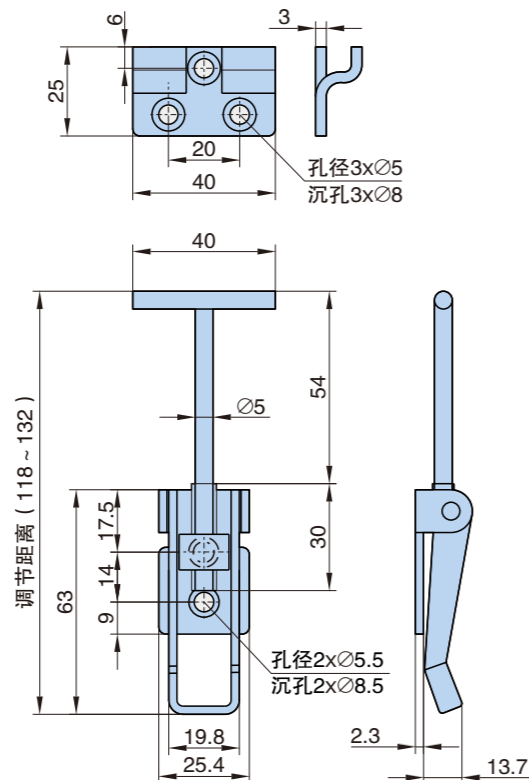
- 材质: 不锈钢
- 表面处理: 振光研磨
- Material: stainless steel
- Finish: Vibrating polishing

DK119-2

搭扣 Latch up

INOX
AISI
3.16

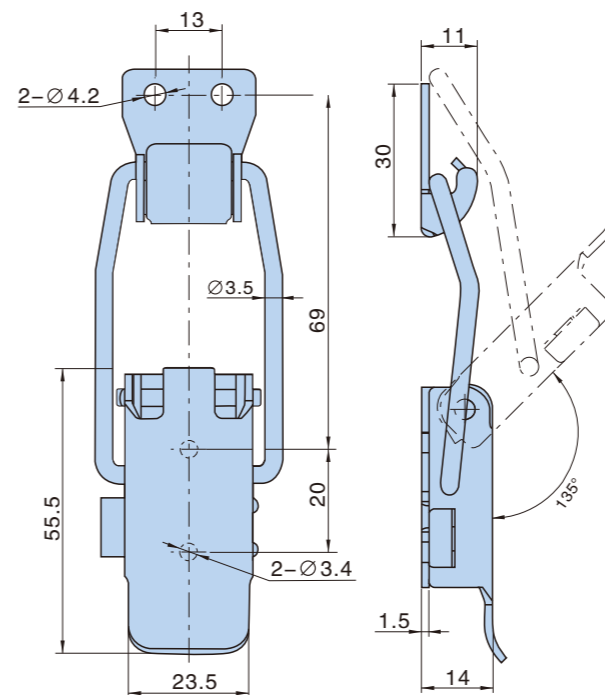
NEW



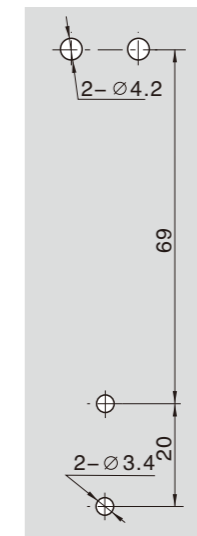
型号 Product no.	产品单重(g) Weight	装箱数 Lot
DK119-2		

- 材质: 不锈钢
- 表面处理: 振光研磨
- Material: stainless steel
- Finish: Vibrating polishing

搭扣 Latch up



■ 开孔尺寸
Cut out



型号 Product no.	产品单重(g) Weight	装箱数 Lot
DKS103-2	62.5	400

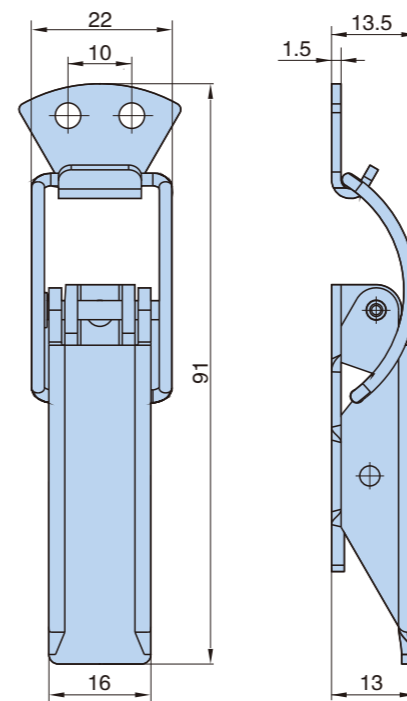
DKS103-2

INOX
AISI
3.16

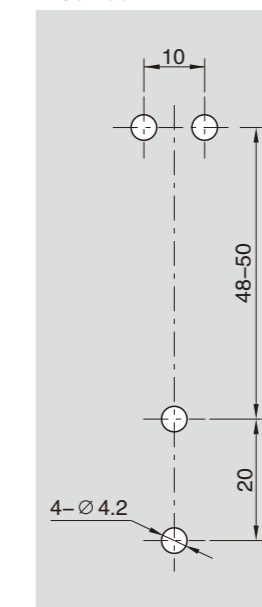


- 材质: 不锈钢
- 表面处理: 振光研磨
- Material: stainless steel
- Finish: Vibrating polishing

搭扣 Latch up



■ 开孔尺寸
Cut out



型号 Product no.	产品单重(g) Weight	装箱数 Lot
DKS104-2	41	400

DKS104-2

INOX
AISI
3.16



- 材质: 不锈钢
- 表面处理: 振光研磨
- Material: stainless steel
- Finish: Vibrating polishing



产品索引

Product Index

Product Index

产品索引

产品型号	页码
A 拉手系列 Handles series	
PL001-1	A001
PL001-2	A001
PL002-1	A003
PL002-2	A003
PL003-1	A004
PL003-2	A004
PL004-1	A009
PL004-2	A009
PL004-3	A009
PL004-4	A009
PL004-5	A009
PL005	A001
PL005-2	A002
PL006	A011
PL006-2	A011
PL007	A012
PL009-1	A005
PL009-2	A005
PL011	A006
PL012	A006
PL019-1	A010
PL019-2	A010
PL019-3	A010
PL019-4	A010
PL020-1	A017
PL021	A015
PL021-1K	A015
PL021-2K	A015
PL021-3-1	A015
PL021-3-2	A015
PL022R	A016

产品型号	页码
A 拉手系列 Handles series	
PL022L	A016
PL025	A007
PL026	A012
PL027	A007
PL029-2L	A016
PL029-2R	A016
PL033	A008
PL034	A008
PL036	A011
PL037	A010
PL038	A013
PL039	A009
PL041-1	A014
PL041-2	A014
PL042	A013
PL043-1	A017
MS3004Z-1-1	A018

产品型号	页码
B 平面锁系列 Plane lock series	
AB102-1-1	B004
AB102-1-2	B004
AB102-2-1	B004
AB102-2-2	B004
AB102-3-1	B004
AB201-1-1	B013
AB201-1-2	B013
AB2011Z-1-1	B047
AB201-2-1	B013
AB201-2-2	B013
AB2012Z-1-1	B047
AB201-3-1	B013
AB201-3-2	B013
AB2013Z-1-1	B048
AB2013Z-1-2	B048
AB2015Z-1-1	B059
AB2016Z-1-1	B015
AB2016Z-2-1	B015
AB2016Z-3-1	B015
AB202-1-1	B016
AB202-2-1	B016
AB202-3-1	B016
AB301-1-1	B001
AB301-1-1G	B001
AB301-2-1	B001
AB301-2A-1G	B002
AB301-3-1	B001
AB301-3A-1	B001
AB301-3B-1	B002
AB302-1-1	B003
AB302-2-1	B003
AB302-3-1	B003

产品型号	页码
B 平面锁系列 Plane lock series	
AB401-1-1	B017
AB401-1-2	B017
AB401-2-1	B017
AB401-2-2	B017
AB401-3-1	B017
AB401-3-2	B017
AB402-1-1	B014
AB402-1-2	B014
AB402-2-1	B014
AB402-2-2	B014
AB402-3-1	B014
AB402-3-2	B014
AB5011Z-1-1	B018
AB5012Z-1-1	B018
AB2013Z-1-1	B018
MS100-1-1A	B029
MS100-2-1	B029
MS104C-1-1	B005
MS104C-1-1A	B005
MS104C-1-1AG	B006
MS104C-1-1G	B006
MS104C-2-1	B005
MS104C-2-1A	B005
MS104C-2-1AG	B006
MS104C-2-1G	B006
MS104C-3-1	B005
MS104C-3-1A	B005
MS104C-3-1AG	B006
MS104C-3-1G	B006
MS104C-4-1	B007
MS104R/L	B007
MS106-1-1	B041

产品型号	页码
B 平面锁系列 Plane lock series	
MS106-1-2	B041
MS106-1-3	B041
MS106-1-4	B041
MS106-1A-2	B042
MS106-2-1	B041
MS106-2-2	B041
MS106-2-3	B041
MS106-2-4	B041
MS106-3-1	B041
MS106-3-2	B041
MS106-3-3	B041
MS106-3-4	B041
MS106-4-1	B041
MS106-4-2	B041
MS106-4-3	B041
MS106-4-4	B041
MS106-5-1	B042
MS4008Z-1-1	B012
MS4090Z-1-1	B012
MS480-1-1	B010
MS480-1-2	B010
MS480-2-1	B011
MS480-2-1Y	B011
MS480-2-2	B011
MS480-2-2Y	B011
MS480-2A-1	B011
MS480-2A-1Y	B011
MS480-2A-1Y	B011
MS480-2A-2	B011
MS480-2A-2Y	B011
MS480-2AC-1	B011
MS480-2AC-1Y	B011

产品型号	页码
B 平面锁系列 Plane lock series	
MS480-2B-1	B011
MS480-2B-1Y	B011
MS480-2C-1	B011
MS480-2C-1Y	B011
MS501-2-1R	B049
MS501-2-1L	B049
MS502-1-1L	B050
MS502-1-1R	B050
MS502-2-1R	B054
MS502-2-1W	B054
MS502-2-2R	B054
MS502-2-2W	B054
MS503-1-1L	B052
MS503-1-1R	B052
MS503-1-2AL	B051
MS503-1-2AR	B051
MS503-1-2L	B051
MS503-1-2R	B051
MS504-1-1	B048
MS504-1-2	B048
MS504-1-1A	B048
MS505-1-1L	B027
MS505-1-1R	B027
MS505-1-2L	B027
MS505-1-2R	B027
MS506	B049
MS507-1-1	B054
MS507-1-2	B054
MS507-2-1	B054
MS507-2-2	B054
MS508	B028
MS510-1-1	B052



产品索引

Product Index

Product Index

产品索引

产品型号	页码
B 平面锁系列 Plane lock series	
MS510-1-2B	B053
MS510-1-2	B052
MS510-2-2	B053
MS511	B025
MS6003Z-2-1	B057
MS6003Z-2-2	B057
MS601-3-1	B055
MS601-3-2	B055
MS6015Z-1-3	B021
MS6016Z-1-3	B021
MS6017Z-1-1	B022
MS6018Z-1-1	B045
MS6018Z-2-1	B045
MS6018Z-2-1A	B045
MS6019Z-1-1	B022
MS6019Z-1-1G	B022
MS6019Z-1A-1	B023
MS6019Z-1A-1G	B023
MS6020S-1-1	B024
MS6020Z-1-1	B023
MS6020Z-1-1G	B023
MS6020Z-1A-1	B024
MS6020Z-1A-1G	B024
MS6021Z-1-1	B025
MS6022Z-1-1	B008
MS6022Z-2-1	B008
MS6022Z-3-1	B009
MS602-3-1	B055
MS6023S-1-1	B010
MS6023S-1-1G	B010
MS6023Z-1-1	B009
MS6023Z-1-1G	B009

产品型号	页码
B 平面锁系列 Plane lock series	
MS6024P-2-1	B028
MS603-2A-1R	B056
MS603-2A-1W	B056
MS603-2A-2R	B056
MS603-2A-2W	B056
MS603-3-1R	B057
MS603-3-1W	B057
MS603-3-2R	B057
MS603-3-2W	B057
MS606-1-1	B043
MS606-1-1A	B043
MS606-1-2	B043
MS606-1-2A	B043
MS606-1-2P	B043
MS6061-3-1	B043
MS6061-3-2	B043
MS606-2-1	B043
MS606-2-2P	B043
MS607-1-1	B019
MS607-2-1	B019
MS607-3-1	B019
MS609-1-1	B046
MS609-1-2	B046
MS609-1A-1	B046
MS609-1A-2	B046
MS609-1B-1	B046
MS609-1B-2	B046
MS609-1D-1	B046
MS609-1D-2	B046
MS610-1-1	B058
MS610-2-1	B058
MS610-3-1	B058

产品型号	页码
B 平面锁系列 Plane lock series	
MS610-3-2	B058
MS612-1-1	B044
MS701	B050
MS703	B059
MS716-1-1	B026
MS716-2-1	B026
MS751-1-1	B020
MS751-2-1	B020
MS751-3-1	B020
MS8010-1-1	B039
MS8012Z-1-1	B039
MS8013Z-1-1	B040
MS8016Z-1-1	B040
MS820-1-1A	B030
MS820-1-1AG	B030
MS820-1-1B	B030
MS820-1-1BG	B030
MS820-1-1C	B030
MS820-1-1CG	B030
MS820-1-1D	B030
MS820-1-1DG	B030
MS820-2-1B	B031
MS820-2-1C	B031
MS820-2-1D	B031
MS821-1-1A	B032
MS821-2-1A	B033
MS821-1-1AG	B032
MS821-1-1B	B032
MS821-1-1BG	B032
MS821-1-1C	B032
MS821-1-1CG	B032
MS821-1-1D	B032

产品型号	页码
B 平面锁系列 Plane lock series	
MS821-1-1DG	B032
MS821-2-1DG	B033
MS821-2-1AG	B033
MS821-2-1B	B033
MS821-2-1BG	B033
MS821-2-1C	B033
MS821-2-1CG	B033
MS821-2-1D	B033
MS821-3-1A	B034
MS821-3-1B	B034
MS826-1-1	B035
MS826-1A-1	B035
MS826-1B-1	B035
MS826-1G-1	B035
MS826-2-1	B036
MS826-3-1	B036
MS834-1-1	B038
MS836-1-1	B037
MS837-1-1	B037
MS838-1	B038
MS838-1S	B038
MS845-1-1	B034
MSZ-01	B060
MSZ-02	B060
MSZ-03	B060

产品型号	页码
B 平面锁系列 Plane lock series	
C 连杆锁系列 Rod control series	
MS1002Z-1-1	C039
MS100-3-1B	C005
MS100-3-1BG	C006
MS100-3-1BGN	C006
MS100-3-1BN	C005
MS100-3-1E	C001
MS100-3-1EG	C002
MS100-3-1EGN	C002
MS100-3-1EN	C001
MS100-3-2B	C007
MS100-3-2BG	C008
MS100-3-2BGN	C008
MS100-3-2BN	C007
MS100-3-2E	C003
MS100-3-3B	C009
MS100-3-3BG	C010
MS100-3-3BGN	C010
MS100-3-3BN	C009
MS100-3-3EG	C004
MS100-3-3EGN	C004
MS100-3-3EN	C003
MS100-3A-1B	C015
MS100-3A-1BG	C016
MS100-3A-1BGN	C016
MS100-3A-1BN	C015
MS100-3A-1E	C011
MS100-3A-1EG	C012
MS100-3A-1EGN	C012
MS100-3A-1EN	C011
MS100-3A-2B	C017
MS100-3A-2BG	C018
MS100-3A-2BGN	C018



产品索引

Product Index

Product Index

产品索引

产品型号	页码
C 连杆锁系列 Rod control series	
MS100-3A-2BN	C017
MS100-3A-3B	C019
MS100-3A-3BG	C020
MS100-3A-3BGN	C020
MS100-3A-3BN	C019
MS100-3A-3E	C013
MS100-3A-3EG	C014
MS100-3A-3EGN	C014
MS100-3A-3EN	C013
MS100-3S-1	C021
MS100-3S-2	C022
MS100-4-1	C023
MS102-1	C039
MS102C	C040
MS103-1-1	C067
MS103-2-1	C067
MS103-3-1	C067
MS103C-1	C040
MS103D-1-2	C041
MS103D-2-1	C041
MS3005Z-1-1	C043
MS3005Z-1-1G	C043
MS4008Z-2-1	C061
MS4008Z-2-1A	C061
MS4008Z-2-1B	C061
MS4008Z-2-1C	C061
MS4008Z-2-1D	C061
MS4008Z-2-2A	C062
MS4008Z-2-2B	C062
MS4008Z-2-2C	C062
MS4008Z-2-2D	C062

产品型号	页码
C 连杆锁系列 Rod control series	
MS4008Z-2-3	C063
MS4008Z-2-3A	C063
MS4008Z-2-3B	C063
MS4008Z-2-3C	C063
MS4008Z-2-3D	C063
MS4008Z-2G-1	C061
MS4008Z-2G-1A	C061
MS4008Z-2G-1B	C061
MS4008Z-2G-1C	C061
MS4008Z-2G-1D	C061
MS4008Z-2G-2	C062
MS4008Z-2G-2A	C062
MS4008Z-2G-2B	C062
MS4008Z-2G-2C	C062
MS4008Z-2G-2D	C062
MS4008Z-2G-3	C063
MS4008Z-2G-3A	C063
MS4008Z-2G-3B	C063
MS4008Z-2G-3C	C063
MS4008Z-2G-3D	C063
MS4085Z-1-1	C064
MS4085Z-1G-1	C064
MS4086Z-1-1B	C057
MS4086Z-1-1C	C057
MS4086Z-1-1D	C057
MS4087Z-3-3	C058
MS4087Z-3A-3	C059
MS4089Z-1-3	C071
MS4092P-1-1	C024
MS460-1-1	C045
MS460-1-1G	C045
MS460-2-1	C045

产品型号	页码
C 连杆锁系列 Rod control series	
MS460-3-3	C046
MS460-3-3A	C046
MS461-1-1	C051
MS461-2-1	C051
MS462-1-1	C052
MS462-2-1	C052
MS463-1-1A	C047
MS463-1-1AG	C047
MS463-1-1B	C047
MS463-1-1BG	C047
MS463-1-2A	C048
MS463-1-2AG	C048
MS463-1-2B	C048
MS463-1-2BG	C048
MS463-1-3A	C049
MS463-1-3AG	C049
MS463-1-3B	C049
MS463-1-3BG	C049
MS463-2-1	C050
MS463-2-3	C050
MS483-1-1	C055
MS483-1-2	C055
MS484-1-1	C056
MS486-1-1	C060
MS486-2-1	C060
MS486-3-1	C060
MS730-1	C044
MS730-3	C044
MS732-1-1	C054
MS732-2-1	C053
MS741-1-1	C065
MS741-1-1G	C065

产品型号	页码
C 连杆锁系列 Rod control series	
MS741-2-1	C065
MS742-1-1	C065
MS742-2-1	C065
MS743-1-1	C066
MS743-1-1G	C066
MS743-2-1	C066
MS744-1-1	C066
MS744-2-1	C066
MS744-3-1	C066
MS761-1-1	C068
MS761-2-1	C068
MS8007Z-1-1	C075
MS8009Z-1-1	C076
MS822-1-1B	C027
MS822-1-2D	C028
MS824-1-1	C025
MS824-1-2	C026
MS824-1-3	C026
MS827-1-1	C037
MS828-1-1	C038
MS828-2-1	C038
MS829	C042
MS829WT	C042
MS832-1-1B	C033
MS832-1-1BG	C034
MS832-1-2B	C035
MS832-1-3BG	C036
MS833-1-3	C069
MS833-1-3G	C069
MS835-1-1	C070
MS835-2-1	C070
MS837-1-3	C072

产品型号	页码
C 连杆锁系列 Rod control series	
MS843-1-2	C073
MS8460P-1-1L	C029
MS8460P-1-1R	C029
MS8460P-1-2	C030
MS8460P-1-3	C030
MS8460P-2-1BR	C031
MS8460P-2-1CR	C031
MS8460P-2-1DR	C031
MS8460P-2-2B	C032
MS8460P-2-3B	C032
MS8491Z-1-2	C074

产品型号	页码
D 面板锁系列 Plane lock series	
MS5093Z-1-3	D005
MS5093Z-2-3	D005
MS731-1-1	D006
MS731-1-2	D006
MS5094Z-1-1	D006
MS738-1-1	D003
MS739-2	D004
MS739-2-2	D004
MS739-2P-1	D004
MS739-2P-2	D004
MS739-3	D004
MS830-1	D007
MS830-2	D007
MS830-3	D007
MS839	D003
MS9007Z-3	D010
MS901	D009
MS902	D009
MS903-1	B008
MS904-1	D008
MSH-01	D001
MSH-02	D001
MSH-03	D002
MSH-04	D002

产品索引

Product Index

Product Index

产品索引

产品型号	页码
E 执手锁系列 Handle lock series	
A19-1-1	E005
A19-1-2	E005
A2055	E006
A2056	E006
A2056-1-2	E006
A2056-2	E006
A2056-3	E006
A2057	E004
A45-1-1	E005
A45-1-2	E005
AB701-1-1	E007
AB701-1-2	E007
AB701-1-2G	E007
AB701-2-1	E007
AB701-2-2	E007
AB701-2-2G	E007
AB701-3-1	E007
AB701-3-2	E007
AB701-3-2G	E007
AB702S-1-1	E008
AB702S-1-2	E008
AB803	E020
MS101-1-1	E001
MS101-1-2	E012
MS107-1-1	E009
MS108-1-1	E010
MS108-2-1	E010
MS109-1-1	E011
MS110-1-1	E011
MS111-1-1	E009
MS301-1-1	E013
MS301-1-2	E013

产品型号	页码
E 执手锁系列 Handle lock series	
MS301-2-1	E014
MS301-2-2	E014
MS302-1-1	E020
MS302-1-2	E020
MS303-1-1	E013
MS303-1-2	E013
MS303-2-1	E013
MS303-2-2	E013
MS304-1-1	E014
MS304-1-2	E014
MS304-2-1	E014
MS304-2-2	E014
MS305-1-1	E015
MS305-2-1	E015
MS306-1-1	E016
MS306-1-1L	E016
MS306-1-1R	E016
MS306-1A-1	E015
MS306-1A-1L	E015
MS306-1A-1R	E015
MS306-2-1	E016
MS306-2-1L	E016
MS306-2-1R	E016
MS308-1-1	E017
MS308-1-1L	E017
MS308-1-1R	E017
MS308-2-1	E017
MS308-2-1L	E017
MS308-2-1R	E017
MS308-2A-1L	E018
MS308-2A-1R	E018
MS309-1	E019

产品型号	页码
E 执手锁系列 Handle lock series	
MS309-2	E019
MS310-1-1	E017
MS310-1-2	E017
MS314-1-1	E001
MS314-1AG-1R/L	E003
MS314-1AG-2R/L	E003
MS314-1S-1	E002
MS314-1S-2	E002
MS314-2S-1	E002
MS314-2S-1	E002
MS315-1-1	E004
MS316-1-1	E003
MS318-1-1	E018
MS318-1-2	E018
MS319-1	E012

产品型号	页码
F 转舌锁系列 Cam lock series	
A99-1	F001
A99-2	F001
A99-3	F001
AB7006Z-1-1	F002
AB7007Z-1-1	F002
GCS	F054
GGD-1	F053
GGD-2	F053
MS1003Z-1-1	F055
MS200	F054
MS238-1-1	F001
MS238-1-2	F001
MS238-1A-1	F001
MS401-1	F003
MS401-2	F003
MS402-1	F003
MS402-2	F003
MS402-3	F003
MS403-1	F004
MS403-2	F004
MS403-2GT	F004
MS404-1-2	F055
MS405-1-1	F009
MS406	F056
MS407-1	F005
MS407-1A	F005
MS407-1C	F005
MS407-1CA	F005
MS407-1CT	F005
MS407-1T	F005
MS407-2	F005
MS408-1-1	F006

产品型号	页码
F 转舌锁系列 Cam lock series	
MS408-1-1T	F006
MS408-1-2	F006
MS408-2-1	F006
MS408-3-1	F007
MS409-1	F019
MS409-2	F019
MS410	F011
MS410C	F011
MS411	F011
MS411C	F011
MS412	F056
MS413F	F012
MS413Y	F012
MS414	F057
MS415	F012
MS416	F013
MS417	F013
MS418	F061
MS424	F057
MS425-1-1	F015
MS425-1-1JC	F015
MS425-2-1	F015
MS425-2-1JC	F015
MS426-1-1	F027
MS427	F016
MS428	F016
MS429	F061
MS430-1-1	F018
MS431-1-1	F062
MS432-1	F017
MS433	F058
MS434	F058

产品型号	页码
F 转舌锁系列 Cam lock series	
MS438-1-1	F014
MS438-1A-1	F014
MS439-1-1	F020
MS440-1-1	F020
MS441-1-1	F015
MS518	F045
MS613-1-1	F052
MS613-2-1	F052
MS614-1-1	F052
MS702	F027
MS704-1	F028
MS704-2	F028
MS704-3	F028
MS704-4	F028
MS704-5	F028
MS705-1-1	F029
MS705-1-2	F029
MS705-1-3	F029
MS705-2-1	F030
MS705-2-2	F030
MS705-2-3	F030
MS705-2S-1	F031
MS705-2S-1A	F032
MS705-2S-2	F031
MS705-2S-2A	F032
MS705-2S-3	F031
MS705-2S-3A	F032
MS705-2S-4	F031
MS705-2S-4A	F032
MS705-3	F035
MS705-4	F035
MS705-5-1	F036



产品索引

Product Index

Product Index

产品索引

A拉手系列
Handles series

B平面锁系列
Plane lock series

C连杆锁系列
Rod control series

D面板锁系列
Plane lock series

E执手锁系列
Handle lock series

F转舌锁系列
Cam lock series

G铰链系列
Hinge series

H搭扣锁系列
Toggle lock series

I门销系列
Door bolt series

J电子锁系列
Electronic lock series

K密封条系列
Gasketing series

L限位系列
Door stop series

M附件系列
Accessories series

N不锈钢件系列
Stainless steel series

产品型号	页码
F 转舌锁系列 Cam lock series	
MS705-5-2	F036
MS705-5-3	F036
MS705-5-4	F036
MS705-7	F036
MS705-8-1	F037
MS706	F059
MS7060P-2-1	F037
MS706-2-1	F033
MS706-2-2	F033
MS706-2-3	F033
MS706-2-4	F033
MS706-2-5	F033
MS7062Z-1-1L	F063
MS7062Z-1-1R	F063
MS7062Z-1A-1R	F063
MS706-3-1	F034
MS706-3-2	F034
MS706-3-3	F034
MS706-3-4	F034
MS706-3-5	F034
MS706-3-6	F034
MS7063Z-1-1L	F063
MS7064Z-1-1	F044
MS7065Z-1-1	F064
MS7066Z-1-1	F004
MS7067Z-1-1	F004
MS7068Z-1-1	F007
MS7069Z-1-1	F018
MS7069Z-1A-1	F018
MS707	F028
MS7070Z-1-1	F019
MS7071Z-1-1	F066

产品型号	页码
F 转舌锁系列 Cam lock series	
MS7072Z-1-1	F008
MS7074Z-1-1	F041
MS7075S-1-1	F066
MS7076Z-1-1	F038
MS7077Z-1-1	F039
MS7079-2-1	F009
MS708-1-1	F039
MS7081Z-1-1	F008
MS7082Z-1-1	F062
MS710	F041
MS711-1-1L	F067
MS711-1-1R	F067
MS711-2-1	F042
MS711-3-1	F042
MS711-5-1	F067
MS712-1	F065
MS712-2	F065
MS713-1	F043
MS714	F071
MS715-1-1	F073
MS715-1-2	F073
MS717-3	F043
MS717-4	F043
MS718	F048
MS719-1	F044
MS720-1-2	F038
MS720-1-3	F038
MS720-1-4	F038
MS721	F010
MS721-1S-1	F010
MS722	F059
MS722-2-1	F060

产品型号	页码
F 转舌锁系列 Cam lock series	
MS724	F040
MS725	F040
MS726	F047
MS727	F048
MS728-1-1	F071
MS728-2-1	F072
MS728-2-2	F072
MS729-1-1	F047
MS737-1-1	F051
MS750-1	F022
MS814	F074
MS815-1	F046
MS815-1A	F046
MS815-2	F046
MS815-2A	F046
MS815-3	F046
MS815-3A	F046
MS815-4	F046
MS815-5	F046
MS815-5A	F046
MS816-1	F068
MS816-2-1L	F069
MS816-2-1R	F069
MS816-2-2L	F069
MS816-2-2R	F069
MS816-3	F068
MS816-4	F074
MS817-2A-1	F065
MS817-3	F064
MS817-4	F064
MS818-1	F021
MS818-2	F021

产品型号	页码
F 转舌锁系列 Cam lock series	
MS819	F022
MS839-1A	F017
MS-A-172-1	F049
MS-A-172-3	F049
MS-A-400	F023
MS-A-400D	F023
MS-A-401	F045
MS-A-402	F050
MS-A-402T	F050
MS-A-403	F024
MS-A-404	F051
MS-W400-1	F024
MS-W400-2A	F025
MS-W400-2B	F025
MS-W400-2D	F026
MS-W400-6	F026

产品型号	页码
G 铰链系列 Hinge series	
HL001-1	G041
HL001-2	G041
HL002L	G029
HL002R	G029
HL003-1	G041
HL003-2	G041
HL003-2S	G041
HL004-1	G042
HL004-2	G042
HL004-3	G042
HL005	G055
HL006L-1	G042
HL006L-2	G042
HL006R-1	G042
HL006R-2	G042
HL007-1	G074
HL007-2	G074
HL008-1	G043
HL008-2	G043
HL009-1A	G001
HL009-2	G001
HL010	G071
HL011-1	G071
HL011-1A	G071
HL011-2	G071
HL012	G063
HL013	G027
HL015	G044
HL016	G044
HL017-1	G045
HL017-2	G045
HL018-1	G055

产品型号	页码
G 铰链系列 Hinge series	
HL019L	G029
HL019R	G029
HL020	G063
HL021-1	G002
HL021-2	G002
HL021-2A	G002
HL022	G056
HL023-1	G009
HL023-1Z	G037
HL023-2	G009
HL023-2Z	G037
HL023-3	G009
HL023-3Z	G037
HL024	G064
HL025-1	G064
HL025-2	G065
HL026	G045
HL027	G056
HL028	G057
HL029-1	G065
HL029-2	G065
HL029-3	G066
HL030	G058
HL031	G034
HL032	G057
HL033-1R	G046
HL033-2R	G046
HL034-1	G075
HL034-2	G075
HL035-1AL	G085
HL035-1AR	G085
HL035-1BL	G086

A拉手系列
Handles series

B平面锁系列
Plane lock series

C连杆锁系列
Rod control series

D面板锁系列
Plane lock series

E执手锁系列
Handle lock series

F转舌锁系列
Cam lock series

G铰链系列
Hinge series

H搭扣锁系列
Toggle lock series

I门销系列
Door bolt series

J电子锁系列
Electronic lock series

K密封条系列
Gasketing series

L限位系列
Door stop series

M附件系列
Accessories series

N不锈钢件系列
Stainless steel series



产品索引

Product Index

Product Index

产品索引

产品型号	页码
G 铰链系列 Hinge series	
HL035-1L	G085
HL035-1BR	G086
HL035-1R	G085
HL035-2L	G085
HL035-2R	G085
HL036-1	G072
HL036-2	G072
HL037	G087
HL038	G025
HL039	G066
HL040	G076
HL041-1	G020
HL042	G007
HL043	G076
HL044-1	G043
HL044-1B	G043
HL044-7	G043
HL045	G007
HL046	G051
HL047	G051
HL047-2	G052
HL048	G079
HL049-1	G083
HL050-1	G003
HL050-1G	G003
HL050-1S	G003
HL050-2	G003
HL050-2A	G005
HL050-2B	G005
HL050-2G	G003
HL050-2GS	G003
HL050-2S	G003

产品型号	页码
G铰链系列 Hinge series	
HL050-3	G003
HL050-3S	G003
HL051-1	G004
HL051-1A	G004
HL051-2	G004
HL051-3	G004
HL052	G030
HL053	G052
HL054	G010
HL055-1	G011
HL055-2	G011
HL056	G037
HL057-1	G059
HL057-1A	G059
HL057-2	G059
HL058-1	G008
HL058-2	G008
HL058-3	G008
HL059	G023
HL060	G079
HL061	G067
HL062	G053
HL063-1	G013
HL063-2	G013
HL063-3	G013
HL064-1	G068
HL064-2	G068
HL065	G027
HL066	G060
HL068-1	G080
HL068-2	G080
HL069-1	G033

产品型号	页码
G铰链系列 Hinge series	
HL069-2	G033
HL070	G013
HL071-1	G015
HL071-2	G015
HL071-3	G015
HL072-1	G014
HL072-2	G014
HL072-3	G014
HL073	G046
HL074	G025
HL075-1	G060
HL076	G017
HL077	G014
HL078	G072
HL079	G035
HL080	G061
HL081	G030
HL082	G080
HL082S	G080
HL083-1	G077
HL084	G020
HL085	G061
HL086	G026
HL087-1	G016
HL087-2	G016
HL087-3	G016
HL088-1L	G036
HL088-1R	G036
HL088-2L	G036
HL088-2R	G036
HL089	G047
HL089-2A	G047

产品型号	页码
G铰链系列 Hinge series	
HL090	G073
HL091-1	G008
HL091-2	G008
HL092	G081
HL092S	G081
HL093L	G031
HL093R	G031
HL094	G017
HL095	G073
HL096-1	G009
HL096-2	G009
HL096-3	G009
HL097	G062
HL098	G018
HL099	G018
HL101	G026
HL102	G024
HL103-1	G069
HL103-1A	G069
HL103-2	G069
HL104	G036
HL105	G023
HL106	G021
HL107-2	G062
HL108	G078
HL109	G081
HL110	G087
HL111-1	G028
HL114	G022
HL115-1	G012
HL115-2	G012
HL116	G019

产品型号	页码
G铰链系列 Hinge series	
HL117	G088
HL118	G012
HL119	G084
HL120	G032
HL121	G019
HL122	G078
HL123	G053
HL124-1R	G038
HL124-2R	G038
HL125	G077
HL126-1	G067
HL126-2	G067
HL127	G035
HL128	G084
HL129-1	G082
HL130-2	G048
HL131SL/R	G021
HL132	G070
HL133	G006
HL133S	G006
HL134	G070
HL135	G002
HL136-1	G049
HL136-2	G049
HL137	G049
HL139	G031
HL140	G088
HL141L	G032
HL141R	G032
HL142-1	G082
HL143-1	G022
HL145-1	G028

产品型号	页码
G铰链系列 Hinge series	
HL146-1	G083
HL147-1	G083
HL149-1L	G086
HL149-1R	G086
HL150-1	G050
HL151-1S	G011
HL151-2S	G011
HL153S	G024
HL157-1L	G034
HL157-1R	G034
HL161-1	G039



产品索引

Product Index

Product Index

产品索引

产品型号	页码
H 搭扣锁系列 Toggle lock series	
DK102	H002
DKS103-2	H002
DKS104-2	H002
DKS-1-1	H001
DKS-1-2	H001
DKS-2-1	H001
DKS-2-2	H001
MS733-1	H003
MS733-2	H003
MS733-2B	H003
MS733-3	H003
MS9008P-1-1	H004
MS9008P-1-2	H004

产品型号	页码
I 门销系列 Door bolt series	
MX01	I001
MX02L	I001
MX02R	I001
MX03-1	I002
MX03-2	I002
MX04	I002
MX05	I003
MX06	I003
MX07-1	I004
MX07-2	I004
MX07-3	I004
MX08	I004

产品型号	页码
J 电子锁系列 Electronic lock series	
MS8017Z-1-1	J001~J008

产品型号	页码
K 密封条系列 Gasketing series	
MF-001	K016
MF-002	K016
MF-003	K016
MF-004	K017
MF-005	K017
MF-006	K017
MF-007	K017
MF-008	K018
MF-009	K018
MF-010	K018
MF-011	K018
MF-012	K019
MF-013	K019
MF-014	K019
MF-015	K019
MF-016	K020
MF-017	K020
MF-018	K020
MF-019	K021
MF-020	K021
MF-021	K021
MF-022	K021
MF-023	K022
MF-024	K022
MF-025	K022
MF-026	K022
MF-027	K023
MF-028	K023
MF-029	K023
MF-030	K023
MF-031	K024
MF-032	K024

产品型号	页码
K 密封条系列 Gasketing series	
MFT-001	K011
MFT-002	K011
MFT-003	K011
MFT-004	K025
MFT-005	K011
MFT-006	K012
MFT-007	K012
MFT-008	K012
MFT-009	K012
MFT-010	K013
MFT-011	K013
MFT-012	K013
MFT-013	K013
MFT-014	K014
MFT-015	K014
MFT-016	K025
MFT-017	K014
MFT-018	K014
MFT-019	K015
MFT-020	K015
MFT-021	K015
MFT-022	K015
MFT-023	K016
MFT-024	K025
MFT-025	K025
MFT-026	K026
MFT-027	K026
MFT-028	K026
MFT-029	K026
MFT-030	K027
MFT-031	K027
MFT-032	K027

产品型号	页码
K 密封条系列 Gasketing series	
MFT-033	K027
MFT-034	K028
MFT-035	K028
MFT-036	K028
MFT-037	K028
MFT-038	K029
MFT-039	K029
MFT-040	K029
MFT-041	K029
MFT-042	K030
MFT-043	K030
MFT-044	K030
MFT-045	K030
MFT-046	K031
MFT-047	K031
MFT-048	K031
MFT-049	K031
MFT-050	K032
MFT-051	K032
MFT-052	K032
MFT-053	K032
MFT-054	K033
MFT-055	K033
MFT-056	K033
MFT-057	K033
MFT-058	K034
MFT-059	K034
MFT-060	K034
MFT-061	K034
MFT-062	K035
MFT-063	K035
MFT-064	K035



产品索引

Product Index

Product Index

产品索引

产品型号	页码
K 密封条系列 Gasketing series	
MFT-065	K035
MFT-066	K036
MFT-067	K036
MFT-068	K036
MFT-069	K036
MFT-070	K037
MFT-071	K037
MFT-072	K037
MFT-073	K037
MFT-074	K038
MFT-075	K038
MFT-076	K038
MFT-077	K038
MFT-078	K039
MFT-079	K040
MFT-080	K040
MFT-081	K040
MFT-082	K040
MFT-083	K040
MFT-084	K040
MFT-085	K040
MFT-086	K040
MFT-087	K040
MFT-088	K040
MFT-089	K040
MFT-090	K040
MFT-091	K040
MFT-092	K040
MFT-093	K040
MFT-094	K040
MFT-095	K040
MFT-096	K040

产品型号	页码
K 密封条系列 Gasketing series	
MFT-097	K040
MFT-098	K040
MFT-099	K040
MFT-100	K040
MFT-101	K040
MFT-102	K040
MFT-103	K040
MFT-104	K040
MFT-105	K040
MFT-106	K040
MFT-107	K040
MFT-108	K040
MFT-109	K040
MFT-110	K040
MFT-111	K039
MFT-112	K039
MFT-113	K039
MFT-114	K039
MFT-115	K039
MFT-116	K039
MFT-117	K039
MFT-118	K039
MFT-119	K041
MFT-120	K041
MFT-121	K041
MFT-122	K041
MFT-123	K041
MFT-124~128	K041
MFT-129~138	K042
MFT-139~150	K041

产品型号	页码
L 限位系列 Door stop series	
XW02-1L	L001
XW02-1R	L001
XW03-1L	L001
XW03-1R	L001
XW04-1L	L002
XW04-1R	L002
XW05-1L	L003
XW05-1R	L003
XW05-2L	L003
XW05-2R	L003
XW06-1L	L004
XW06-1R	L004
XW07-1L	L004
XW07-1R	L004
XW08-1	L005
XW08-1S	L005
XW08-2	L005
XW08-2S	L005
XW09-1	L006
XW09-1S	L006
XW10-1	L007
XW10-2	L007
XW11-1	L008
XW11-2	L008

产品型号	页码
M 附件系列 Accessories series	
FJ01	M005
LG(拉杆)	M017-M026
MB01	M013
MB02	M014
MB03	M015
MB04	M016
PT01-1	M005
PT01-2	M006
PT02	M006
RA01	M011
RA02	M012
RA03	M012
RG01-1	M007
RG01-2	M007
RG01-3	M007
RG03-1	M007
RG03-2	M007
RG03-3	M008
RG04	M008
RG05	M009
RG06	M009
RG08-2	M010
RG10	M010
RG11	M011
吊环 (DH-M)	M001
工具钥匙	M032-M036
绝缘子	M001
母线夹 (LMJ)	M002
母线夹 (ZMJ-1)	M002
母线夹 (ZMJ-2)	M002
锁头组件	M029-M030

产品型号	页码
M 附件系列 Accessories series	
锁片	M027-M028
钥匙	M31
带齿防滑螺母	M004
带点防滑螺母	M004
台阶螺母	M003
平面螺母	M003

产品型号	页码
N 不锈钢件系列 Stainless steel series	
A19S-1-1	N010
AB702S-1-1	N008
AB702S-1-2	N008
DK110-1	N081
DK111-1	N081
DK112-1	N082
DK112-2	N082
DK113-1	N083
DK113-2	N083
DK114-1	N084
DK114-2	N084
DK115-1	N085
DK115-1G	N085
DK115-2	N086
DK115-3	N086
DK116-1	N087
DK116-1G	N087
DK116-2	N088
DK116-2G	N088
DK117-1	N089
DK118-1	N089
DK118-1G	N090
DK118-2G	N090
DK119-1	N091
DK119-2	N091
DKS103-2	N092
DKS104-2	N092
HL003-2S	N053
HL004S-2	N053
HL011S-1	N062
HL030-2S	N055



产品索引

Product Index

Product Index

产品索引

A拉手系列
Handles series
B平面锁系列
Plane lock series
C连杆锁系列
Rod control series
D面板锁系列
Plane lock series
E执手锁系列
Handle lock series
F转舌锁系列
Cam lock series
G铰链系列
Hinge series
H搭扣锁系列
Toggle lock series
I门销系列
Door bolt series
J电子锁系列
Electronic lock series
K密封条系列
Gasketing series
L限位系列
Door stop series
M附件系列
Accessories series
N不锈钢件系列
Stainless steel series

A拉手系列
Handles series
B平面锁系列
Plane lock series
C连杆锁系列
Rod control series
D面板锁系列
Plane lock series
E执手锁系列
Handle lock series
F转舌锁系列
Cam lock series
G铰链系列
Hinge series
H搭扣锁系列
Toggle lock series
I门销系列
Door bolt series
J电子锁系列
Electronic lock series
K密封条系列
Gasketing series
L限位系列
Door stop series
M附件系列
Accessories series
N不锈钢件系列
Stainless steel series

产品型号	页码
N不锈钢件系列 Stainless steel series	
HL034-1	N059
HL034-2	N059
HL035S-3L	N063
HL035S-3R	N063
HL035S-4L	N063
HL035S-4R	N063
HL038	N045
HL050-1S	N035
HL050-2GS	N035
HL050-2S	N035
HL050-3S	N035
HL055-1	N035
HL055-2	N035
HL063-1	N041
HL063-2	N041
HL063-3	N041
HL069-1	N047
HL069-2	N047
HL070	N041
HL071-1	N039
HL071-2	N039
HL071-3	N039
HL072-1	N042
HL072-2	N042
HL072-3	N042
HL074	N045
HL076	N043
HL077	N042
HL080	N055
HL082S	N060
HL092S	N060
HL094	N043

产品型号	页码
N不锈钢件系列 Stainless steel series	
HL098	N044
HL099	N044
HL101	N046
HL103-1	N054
HL103-1A	N054
HL103-2	N054
HL109	N061
HL111S-2	N038
HL115-1	N040
HL115-2	N040
HL118	N040
HL120	N048
HL129-1	N061
HL131S-1L	N037
HL131S-1R	N037
HL133S	N036
HL151-1S	N036
HL151-2S	N036
HL153S	N046
HL157-1L	N048
HL157-1R	N048
HL170S-1	N056
HL170S-2	N056
HL171S-1	N057
HL172S-1	N057
HL173S-1	N049
HL174S-1	N049
HL175S-1	N050
HL176S-1	N050
HL177S-1	N051
HL178S-1	N051
HL179S-1	N052

产品型号	页码
N不锈钢件系列 Stainless steel series	
HL180S-1	N038
HL181S-1	N052
HL182S-1	N058
HL183S-1	N062
HL184S-1	N065
HL185S-1	N064
HL186S-1	N064
HL187S-1	N065
HL188S-1	N065
HL189S-1	N066
HL189S-2	N066
HL190S-1	N066
HL190S-2	N066
MS100-3S-1	N003
MS100-3S-2	N004
MS306S-1-1	N009
MS306S-2-1	N009
MS308S-2-1	N010
MS314-1S-1	N007
MS314-1S-2	N007
MS314-1S-3G	N011
MS314-1S-4G	N012
MS314S-2S-1	N007
MS314S-2S-2	N007
MS408S-1-1	N021
MS408S-1-2	N021
MS429S-1-1	N024
MS429S-1-2	N024
MS429S-1-3	N024
MS429S-1-4	N024
MS429S-1-5	N024
MS429S-1-6	N024

产品型号	页码
N不锈钢件系列 Stainless steel series	
MS429S-1-7	N024
MS429S-1-8	N024
MS429S-1A-1	N024
MS429S-1A-2	N024
MS429S-1A-3	N024
MS429S-1A-4	N024
MS429S-1A-5	N024
MS429S-1A-6	N024
MS429S-1A-7	N024
MS429S-1A-8	N024
MS5094Z-1-1	N005
MS6020S-1-1	N001
MS6023S-1-1	N001
MS6023S-1-1G	N001
MS705-2S-1	N013
MS705-2S-1A	N014
MS705-2S-2	N013
MS705-2S-2A	N014
MS705-2S-3	N013
MS705-2S-3A	N014
MS705-2S-4	N013
MS705-2S-4A	N014
MS705S-10-1	N016
MS705S-10-10	N016
MS705S-10-11	N016
MS705S-10-12	N016
MS705S-10-13	N016
MS705S-10-14	N016
MS705S-10-15	N016
MS705S-10-16	N016
MS705S-10-17	N016
MS705S-10-18	N016

产品型号	页码
N不锈钢件系列 Stainless steel series	
MS705S-10-19	N016
MS705S-10-2	N016
MS705S-10-20	N016
MS705S-10-21	N016
MS705S-10-3	N016
MS705S-10-4	N016
MS705S-10-5	N016
MS705S-10-6	N016
MS705S-10-7	N016
MS705S-10-8	N016
MS705S-10-9	N016
MS705S-11-1	N015
MS705S-11-10	N015
MS705S-11-11	N015
MS705S-11-12	N015
MS705S-11-13	N015
MS705S-11-14	N015
MS705S-11-15	N015
MS705S-11-16	N015
MS705S-11-17	N015
MS705S-11-18	N015
MS705S-11-19	N015
MS705S-11-2	N015
MS705S-11-20	N015
MS705S-11-21	N015
MS705S-11-3	N015
MS705S-11-4	N015
MS705S-11-5	N015
MS705S-11-6	N015
MS705S-11-7	N015
MS705S-11-8	N015
MS705S-11-9	N015

产品型号	页码
N不锈钢件系列 Stainless steel series	
MS705S-9-1	N017
MS705S-9-10	N017
MS705S-9-11	N017
MS705S-9-12	N017
MS705S-9-13	N017
MS705S-9-14	N017
MS705S-9-15	N017
MS705S-9-16	N017
MS705S-9-17	N017
MS705S-9-18	N017
MS705S-9-19	N017
MS705S-9-2	N017
MS705S-9-20	N017
MS705S-9-21	N017
MS705S-9-3	N017
MS705S-9-4	N017
MS705S-9-5	N017
MS705S-9-6	N017
MS705S-9-7	N017
MS705S-9-8	N017
MS705S-9A-8	N018
MS705S-9-9	N017
MS7075S-1-1	N025
MS7075S-1-2	N025
MS7075S-1-3	N025
MS7075S-1-4	N025
MS7075S-1-5	N025
MS7075S-1-6	N025
MS7075S-1-7	N025
MS7075S-1-8	N025
MS7075S-1-9	N025
MS7075S-1-10	N025



A拉手系列
Handles series

B平面锁系列
Plane lock series

C连杆锁系列
Rod control series

D面板锁系列
Plane lock series

E执手锁系列
Handle lock series

F转舌锁系列
Cam lock series

G铰链系列
Hinge series

H搭扣锁系列
Toggle lock series

I门销系列
Door bolt series

J电子锁系列
Electronic lock series

K密封条系列
Gasketing series

L限位系列
Door stop series

M附件系列
Accessories series

N不锈钢件系列
Stainless steel series

索引
Index

A拉手系列
Handles series

B平面锁系列
Plane lock series

C连杆锁系列
Rod control series

D面板锁系列
Plane lock series

E执手锁系列
Handle lock series

F转舌锁系列
Cam lock series

G铰链系列
Hinge series

H搭扣锁系列
Toggle lock series

I门销系列
Door bolt series

J电子锁系列
Electronic lock series

K密封条系列
Gasketing series

L限位系列
Door stop series

M附件系列
Accessories series

N不锈钢件系列
Stainless steel series

索引
Index

产品索引

Product Index

Product Index

产品索引

产品型号	页码
N不锈钢件系列 Stainless steel series	
MS7075S-1-11	N025
MS7075S-1-12	N025
MS7075S-1-13	N025
MS7075S-1-14	N025
MS7075S-1-15	N025
MS7075S-1-16	N025
MS7075S-1-17	N025
MS7075S-1-18	N025
MS7075S-1-19	N025
MS7075S-1-20	N025
MS7075S-1-21	N025
MS7076S-1-1	N018
MS7078-1-1	N019
MS7078-2-1	N019
MS7080S-1-1	N020
MS7082S-1-1	N022
MS7090S-1-1	N022
MS7091S-1-1	N023
MS7092S-1-1	N023
MS7093S-1-1	N026
MS7094S-2-1	N026
MS7095S-1-1	N027
MS7095S-2-1	N027
MS7096S-1-1	N028
MS7096S-2-1	N028
MS7097S-1-1	N029
MS7097S-1-2	N029
MS7097S-1A-1	N031
MS7097S-1B-1	N032
MS7097S-2-1	N030
MS7097S-2-2	N030
MS7097S-2A-1	N031

产品型号	页码
N不锈钢件系列 Stainless steel series	
MS7097S-2B-1	N032
MS7098S-1-1	N033
MS7098S-2-1	N033
MS7099S-1-1	N034
MS7099S-2-1	N034
MS721S-1-1	N020
MS830-1	N006
MS830-2	N006
MS830-3	N006
MS834-1-1	N002
MS838-1S	N002
MS839S-3-1	N005
MX04	N067
MX07S-1	N068
PL004-2S	N070
PL004S-1-L60	N072
PL004S-1-L84	N072
PL004S-2-L90	N072
PL004S-1-L90A	N072
PL004S-2-L100	N072
PL004S-1-L100A	N072
PL004S-2-L100B	N072
PL004S-2-L100C	N072
PL004S-2-L100D	N072
PL004S-2-L120	N072
PL004S-1-L120	N072
PL004S-2-L120B	N072
PL004S-2-L135	N072
PL004S-2-L155	N072
PL004S-2-L180	N072
PL019-2	N070
PL019S-1A-L120	N073

产品型号	页码
N不锈钢件系列 Stainless steel series	
PL019S-1B-L100	N073
PL019S-1B-L110	N073
PL019S-1B-L120	N073
PL019S-1B-L125	N073
PL019S-1B-L200	N073
PL019S-1B-L250	N073
PL019S-1B-L80	N073
PL019S-1-L100	N073
PL019S-1-L110	N073
PL019S-1-L120	N073
PL019S-1-L125	N073
PL019S-1-L200	N073
PL019S-1-L250	N073
PL019S-1-L80	N073
PL019S-2A-L150	N073
PL019S-2A-L188	N073
PL019S-2A-L238	N073
PL019S-2A-L288	N073
PL019S-2-L150	N073
PL019S-2-L188	N073
PL019S-2-L238	N073
PL019S-2-L288	N073
PL021S-3-2	N069
PL100S-1-L100	N071
PL100S-1-L80	N071
PL100S-1-L90	N071
PL101S-1-L100	N071
PL101S-1-L120	N071
PL101S-1-L60	N071
PL101S-1-L70	N071
PL101S-1-L90	N071
PL102S-1-L100	N072

产品型号	页码
N不锈钢件系列 Stainless steel series	
PL102S-1-L120	N072
PL102S-1-L60	N072
PL102S-1-L70	N072
PL102S-1-L80	N072
PL102S-1-L90	N072
PL103S-1-L60	N074
PL103S-1-L80	N074
PL103S-2-L100	N074
PL103S-2-L120	N074
PL103S-3-L100	N074
PL103S-3-L110	N074
PL103S-3-L120	N074
PL103S-3-L125	N074
PL103S-3-L160	N074
PL103S-3-L48	N074
PL103S-3-L66	N074
PL103S-3-L88	N074
PL104S-1-L100	N074
PL104S-1-L110	N074
PL104S-1-L120	N074
PL104S-1-L125	N074
PL104S-1-L160	N074
PL104S-1-L48	N074
PL104S-1-L66	N074
PL104S-1-L88	N074
PL105S-1-L100	N075
PL105S-1-L120	N075
PL106S-1-L110	N075
PL106S-1-L120	N075
PL106S-1-L160	N075
PL106S-1-L200	N075
PL106S-1-L250	N075

产品型号	页码
N不锈钢件系列 Stainless steel series	
PL107S-1-L100	N076
PL107S-1-L110	N076
PL107S-1-L120	N076
PL107S-1-L125	N076
PL107S-1-L160	N076
PL107S-1-L200	N076
PL107S-1-L250	N076
PL108S-1-L100	N076
PL108S-1-L110	N076
PL108S-1-L120	N076
PL108S-1-L125	N076
PL108S-1-L160	N076
PL108S-1-L200	N076
PL108S-1-L250	N076
PL109S-1	N077
PL109S-2	N077
PL110S-1	N077
PL110S-2	N077
PL111S-1-L100	N078
PL111S-1-L120	N078
PL112S-1-L100	N078
PL112S-1-L120	N078
PL113S-1-L100	N079
PL114S-1-1L138	N079
PL114S-1-1L158	N079
PL114S-1-1L180	N079
PL114S-1-1L218	N079
PL115S-1-L119	N080
PL115S-1-L120	N080
PL115S-1-L90	N080

产品型号	页码
N不锈钢件系列 Stainless steel series	
PL116S-1	N080
PL116S-1A	N080
PL116S-2	N080
PL116S-2A	N080
PL116S-3	N080
PL116S-3A	N080

开孔选型互换性一览表/Opening type compatibility list

开孔选型互换性一览表/Opening type compatibility list

	B035 MS826-1-1 B035 MS826-1A-1	B035 MS826-1B-1	B037 MS837-1-1						
	C005 MS100-3-1B C006 MS100-3-1BG	C007 MS100-3-2B	C011 MS100-3A-1E	C015 MS100-3A-1B C016 MS100-3A-1BG	C017 MS100-3A-2B				
	C001 MS100-3-1E C002 MS100-3-1EG	C008 MS100-3-2BG	C012 MS100-3A-1EG	C018 MS100-3A-2BG					
	C003 MS100-3-3E C004 MS100-3-3EG	C009 MS100-3-3B C010 MS100-3-3BG	C013 MS100-3A-3E C014 MS100-3A-3EG	C019 MS100-3A-3B C020 MS100-3-3BG	C021 MS100-3S-1 C022 MS100-3S-2				
	C040 MS103C-1	C071 MS4089Z-1-3 C065 MS741-1-1G	C065 MS741-1-1	C065 MS742-1-1	C066 MS744-1-1 C066 MS743-1-1				
		C029 MS8460P-1-1 B030 MS8460P-1-3 B031 MS8460P-2-1B	B027 MS822-1-1A B027 MS822-1-1B B027 MS822-1-1C	C028 MS822-1-2A/-3A C028 MS822-1-2B/-3B C028 MS822-1-2C/-3C					
	C068 MS761-1-1	B032 MS8460P-2-3B	B027 MS822-1-1D	C028 MS822-1-2D/-3D	C025 MS824-1-1				
	C026 MS824-1-2 C026 MS824-1-3	C033 MS832-1-1B C035 MS832-1-2B	C069 MS833-1-3	C070 MS835-1-1	C073 MS843-1-2				

	C067 MS103-2-1	C064 MS4085Z-1-1 C064 MS4085Z-1G-1	C047 MS463-1A/-2A-3A C049 MS463-1AG/-2AG-3AG	C047 MS463-1B/-2B-3B C049 MS463-1BG/-2BG-3BG	C065 MS741-2-1				
	C065 MS742-2-1	C066 MS743-2-1 C066 MS744-2-1	C050 MS463-2-1 C050 MS463-2-3	C068 MS761-2-1	C070 MS835-2-1				
	C039 MS1002Z-1-1	C039 MS102-1	C040 MS102C	C035 MS3005Z-1-1 C035 MS3005Z-1-1G	C044 MS730-1 C044 MS730-3				
	E003 A2057	E001 MS101-1-1	E003 MS314-1-1 E003 MS314-1AG-1R/-1L	E002 MS314-1S/-2S	E018 MS318-1-1 E018 MS318-1-2				
	E007 AB701-1-1 E007 AB701-1-2 E007 AB701-1-2G	E015 MS305-1-1 E015 MS305-1A-1	E016 MS306-2-1L E016 MS306-2-1R	F049 MS-A-172-1					

开孔选型互换性一览表/Opening type compatibility list

开孔选型互换性一览表/Opening type compatibility list

<p>■开孔尺寸 Cut Out</p>								
	E016 MS306-1-1L		E016 MS306-1-1R					
	E008 AB702S-1-1		E016 MS306-1A-1L					
	E008 AB702S-1-2		E016 MS306-1A-1R					
<p>■开孔尺寸 Cut out</p>								
	E013 MS301-1-1		E014 MS301-2-1		E020 MS302-1-1		E013 MS303-1-1	
	E013 MS301-1-2		E014 MS301-2-2		E020 MS302-1-2		E013 MS303-1-2	
<p>■开孔尺寸 Cut Out</p>								
	F003 MS402-1		F004 MS403-1		F024 MS-W400-1			
	F003 MS402-2		F004 MS403-2G		F024 MS-W400-2			
	F003 MS402-3		F004 MS403-2GT		F024 MS-W400-3			
<p>■开孔尺寸 Cut Out</p>								
	F005 MS407-2		F019 MS409-2		F011 MS411		F056 MS412	

<p>■开孔尺寸 Cut Out</p>										
	F012 MS415		F013 MS416		F013 MS417		F057 MS424		F016 MS428	
<p>■开孔尺寸 Cut Out</p>										
	F014 MS438-1-1		F014 MS438-1A-1		F004 MS7066Z-1-1		F021 MS818-2		F026 MS-W400-6	
<p>■开孔尺寸 Cut Out</p>										
	F059 MS706		F037 MS7060P-1-1		F063 MS7062Z-1-1R		F063 MS7062Z-1-1L		F063 MS7063Z-1-1L	
<p>■开孔尺寸 Cut Out</p>										
	F064 MS7065Z-1-1		F067 MS711-1-1R		F067 MS711-1-1L		F071 MS728-1-1		F068 MS816-1	
<p>■开孔尺寸 Cut Out</p>										
	F069 MS816-2		F068 MS816-3		F074 MS816-4					

开孔选型互换性一览表/Opening type compatibility list

开孔选型互换性一览表/Opening type compatibility list

■开孔尺寸 Cut Out											
		F001	MS238-1-1								
		F001	MS238-1-2								
	F055	MS1003Z-1-1	F001	MS238-1A-1	F009	MS405-1-1	F005	MS407-1-1	F006	MS408-1-1	
	F061	MS429	F018	MS430-1-1	F062	MS431-1-1	F027	MS702	F028	MS704-1/-2/-3/-4/-5	
	F029	MS705-1-1	F030	MS705-2-1	F031	MS705-2S-2	F035	MS705-4-1			
	F029	MS705-1-2	F030	MS705-2-2	F031	MS705-2S-3	F035	MS705-4-2			
	F029	MS705-1-3	F030	MS705-2-3	F031	MS705-2S-4	F035	MS705-4-3	F036	MS705-5-2	
	F036	MS705-7	F037	MS705-8-1	F066	MS7071-1-1	F008	MS7072-1-1	F066	MS7075S-1-1	
									F038	MS720-1-1	
									F038	MS720-1-2	
	F039	MS7077Z-1-1	F042	MS711-2-1	F065	MS712-1	F048	MS718	F038	MS720-1-3	
	F010	MS721-1	F059	MS722	F060	MS722-2-1	F040	MS724	F040	MS725	

■开孔尺寸 Cut Out											
	F047	MS726	F048	MS727	F047	MS729-2-1	F046	MS815-1/-1A	F046	MS815-2/-2A	
	F046	MS815-3/-3A	F046	MS815-4	F008	MS7081Z-1-1	F009	MS7079-2-1	F010	MS721-1S-1	
	F033	MS706-2-1	F033	MS706-2-2	F033	MS706-2-3	F033	MS706-2-4	F033	MS706-2-5	
	F033	MS706-2-6	F034	MS706-3-1	F034	MS706-3-2	F034	MS706-3-3	F034	MS706-3-4	
	F034	MS706-3-5	F034	MS706-3-6	F062	MS7082Z-1-1					
	F025	MS-W400-2A	F025	MS-W400-2B	F026	MS-W400-2D					

